



US00D857989S

(12) **United States Design Patent** (10) **Patent No.:** **US D857,989 S**
Yue (45) **Date of Patent:** **** Aug. 27, 2019**

(54) **STEAM HAIR SETTER**
(71) Applicant: **Conair Corporation**, Stamford, CT (US)
(72) Inventor: **Po Kwan Brenda Yue**, Hong Kong (CN)
(73) Assignee: **Conair Corporation**, Stamford, CT (US)

5,896,864 A 4/1999 Boyle et al.
6,035,099 A 3/2000 Stern
6,084,210 A 7/2000 Glucksman
6,248,979 B1 6/2001 Cafaro
6,310,322 B1 10/2001 Yang et al.
D462,141 S * 8/2002 Carlucci D28/18
6,499,195 B1 12/2002 Wong
D477,689 S 7/2003 Hoffman et al.
6,732,745 B2 5/2004 Hester
D506,851 S 6/2005 Schmitz
D507,376 S 7/2005 Tobin
6,978,898 B2 12/2005 Carlucci et al.
7,078,654 B1 7/2006 Tsen

(**) Term: **15 Years**

(Continued)

(21) Appl. No.: **29/595,983**

FOREIGN PATENT DOCUMENTS

(22) Filed: **Mar. 3, 2017**

CN 304680086 * 6/2018
CN 304970021 * 12/2018

(51) **LOC (12) Cl.** **28-03**

(52) **U.S. Cl.**

(Continued)

USPC **D28/28**

(58) **Field of Classification Search**

USPC D28/9-18, 28, 35-38, 47, 54; 132/211, 132/228; 34/96-99; D9/748-749; D3/205, 315-316, 905; D32/17, 71
CPC A45D 20/122; A45D 20/124; A45D 6/18; A45D 6/20
See application file for complete search history.

Primary Examiner — Shannon W Morgan

Assistant Examiner — Altaira J Swangin

(74) *Attorney, Agent, or Firm* — Lawrence Cruz, Esq.; Ryan, Mason & Lewis, LLP

(57) **CLAIM**

The ornamental design for a steam hair setter, as shown and described.

(56) **References Cited**

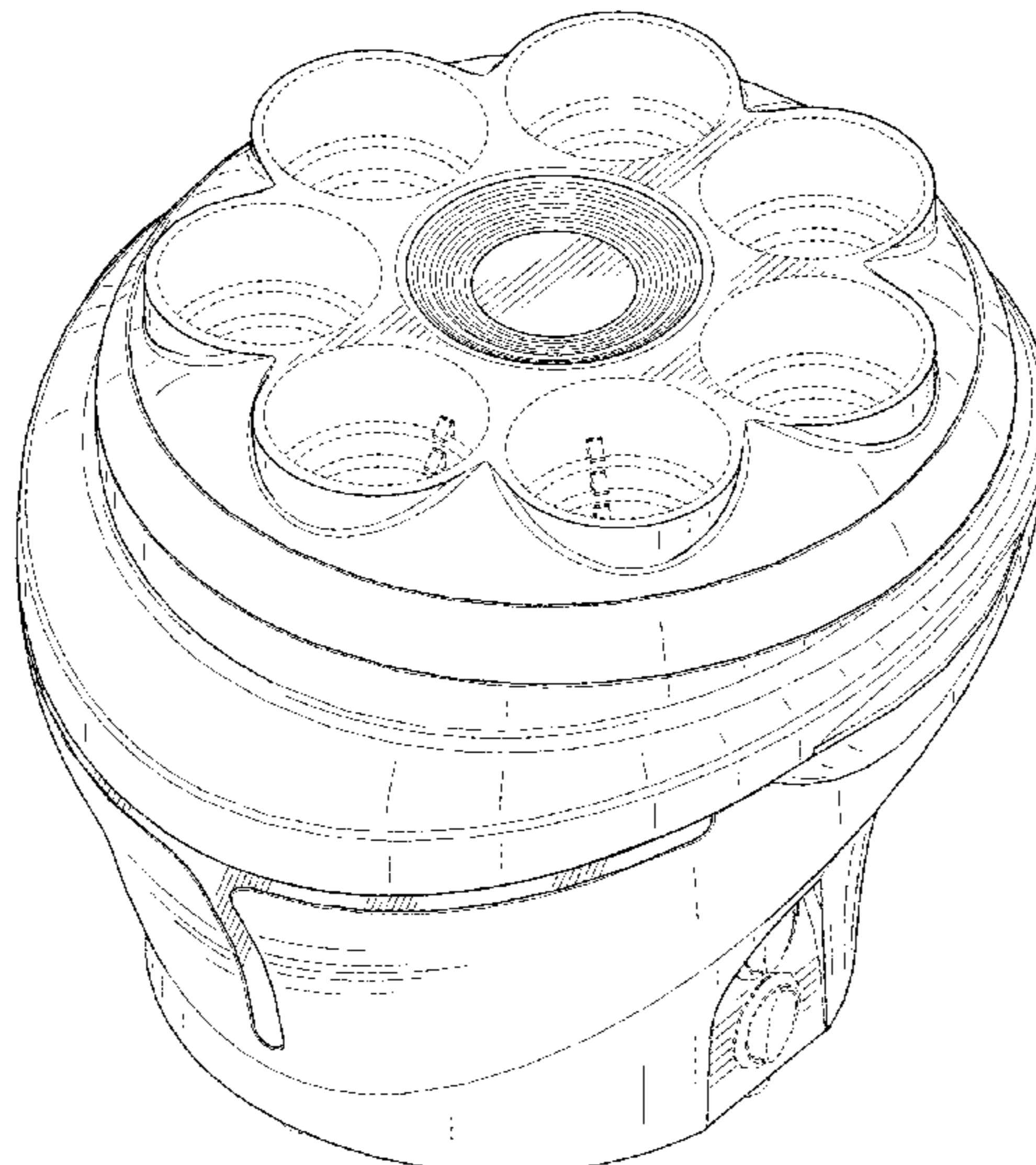
DESCRIPTION

U.S. PATENT DOCUMENTS

D222,654 S * 11/1971 Lindsay D21/483
D259,742 S * 6/1981 Iammatteo D28/18
4,875,288 A * 10/1989 Trotta B26B 21/20 30/49
D308,118 S * 5/1990 Brill D28/18
5,710,861 A 1/1998 Stern
5,725,159 A * 3/1998 Dorber A45D 20/122 239/553.3
5,761,378 A 6/1998 Boyle et al.
5,875,562 A * 3/1999 Fogarty A45D 20/10 34/97

FIG. 1 is a perspective view of the steam hair setter;
FIG. 2 is a front elevation view of the steam hair setter;
FIG. 3 is a rear elevation view of the steam hair setter;
FIG. 4 is a right side elevation view of the steam hair setter;
FIG. 5 is a left side elevation view of the steam hair setter;
FIG. 6 is a top plan view of the steam hair setter; and,
FIG. 7 is a bottom plan view of the steam hair setter.
The broken lines depict portions of the steam hair setter which form no part of the claimed design.

1 Claim, 7 Drawing Sheets



(56)

References Cited

U.S. PATENT DOCUMENTS

D533,650 S * 12/2006 Ohta D23/360
 D534,317 S * 12/2006 Oh D28/54
 D535,372 S * 1/2007 Kaizuka D23/360
 7,516,745 B2 4/2009 Maione et al.
 D594,597 S 6/2009 Cardona
 D612,037 S * 3/2010 Jorgensen D23/366
 7,989,735 B1 8/2011 Richmond et al.
 D662,581 S * 6/2012 Savegnago D23/366
 8,258,434 B2 9/2012 Richmond et al.
 D683,500 S 5/2013 Cheung
 D695,959 S 12/2013 Shami
 8,684,012 B1 4/2014 Ryan
 8,912,467 B2 12/2014 Oishi et al.
 D748,857 S * 2/2016 Boulanger D28/50
 D749,263 S * 2/2016 Pleshek D28/9
 D760,885 S * 7/2016 Lin D23/366
 D795,577 S * 8/2017 Brown-Gayles D28/76
 10,165,842 B1 * 1/2019 Teele A45D 19/06
 D841,265 S * 2/2019 Desagre D32/17
 D841,885 S * 2/2019 Siu D28/38

D844,263 S * 3/2019 Ediger D32/17
 2003/0084586 A1 * 5/2003 Lo A45D 20/122
 34/96
 2003/0159306 A1 * 8/2003 Yeung A45D 20/122
 34/96
 2004/0118425 A1 6/2004 Santhouse et al.
 2005/0000954 A1 1/2005 Schmitz
 2007/0257019 A1 11/2007 Carlucci
 2008/0169278 A1 7/2008 Kaizuka
 2008/0210255 A1 9/2008 Moll
 2008/0271337 A1 * 11/2008 Chan A45D 20/122
 34/98
 2009/0133709 A1 5/2009 Kaizuka
 2009/0165811 A1 7/2009 Zimmerman
 2010/0065544 A1 3/2010 Yang
 2016/0015142 A1 1/2016 Wagner

FOREIGN PATENT DOCUMENTS

KR 300752481-0000 * 7/2014
 WO 201021968 A2 2/2010
 WO 201310249 A1 1/2013

* cited by examiner

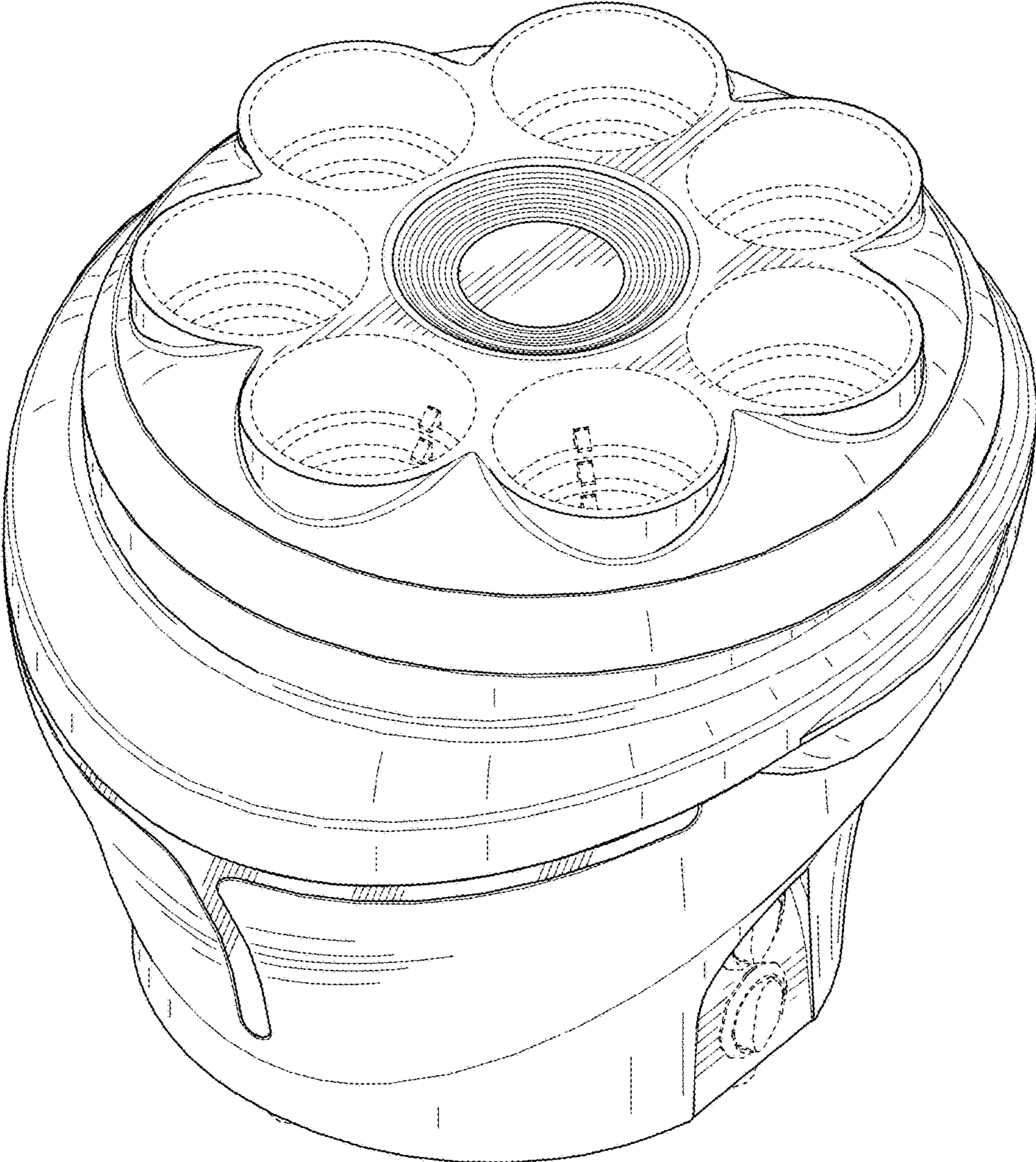


FIG. 1

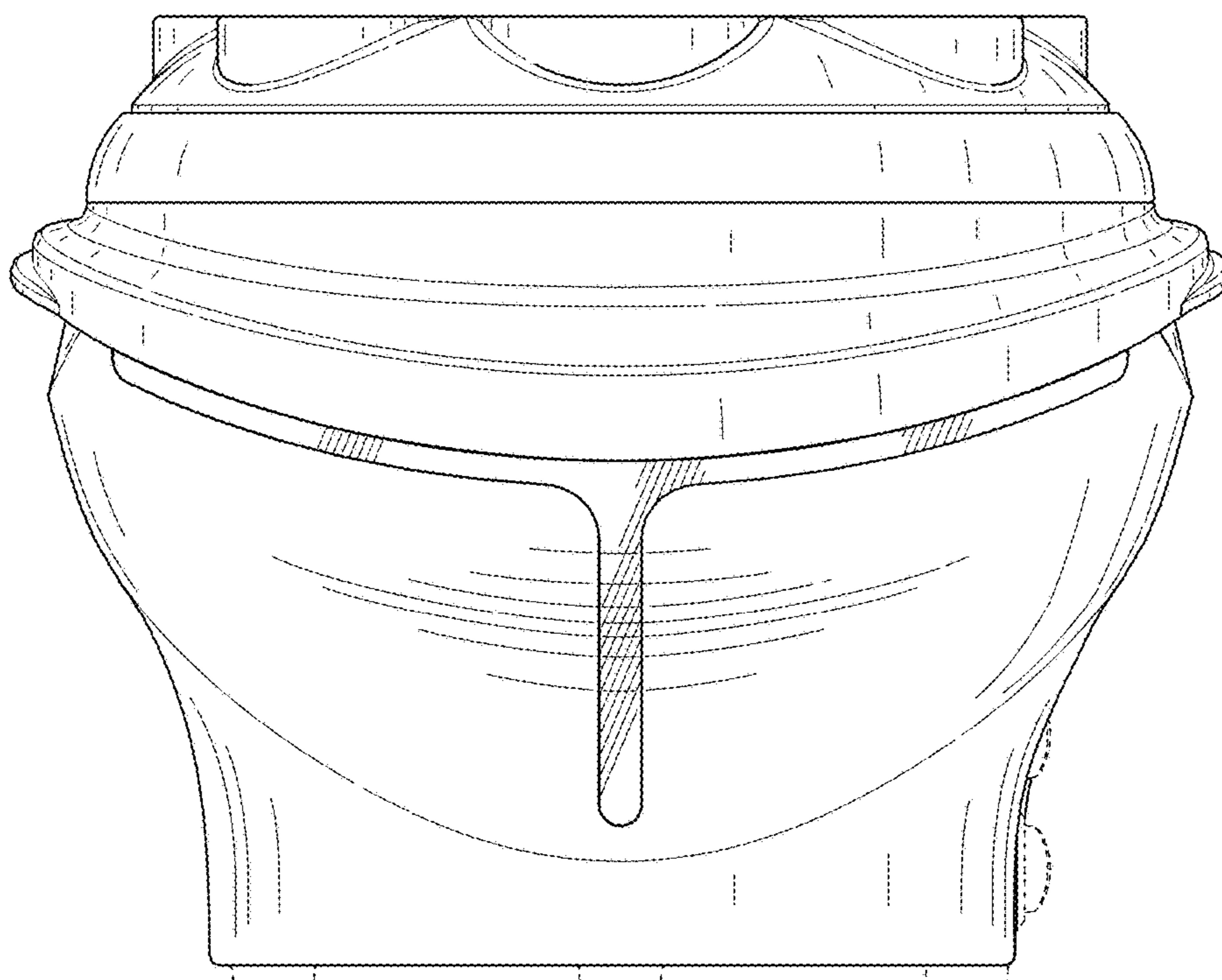


FIG. 2

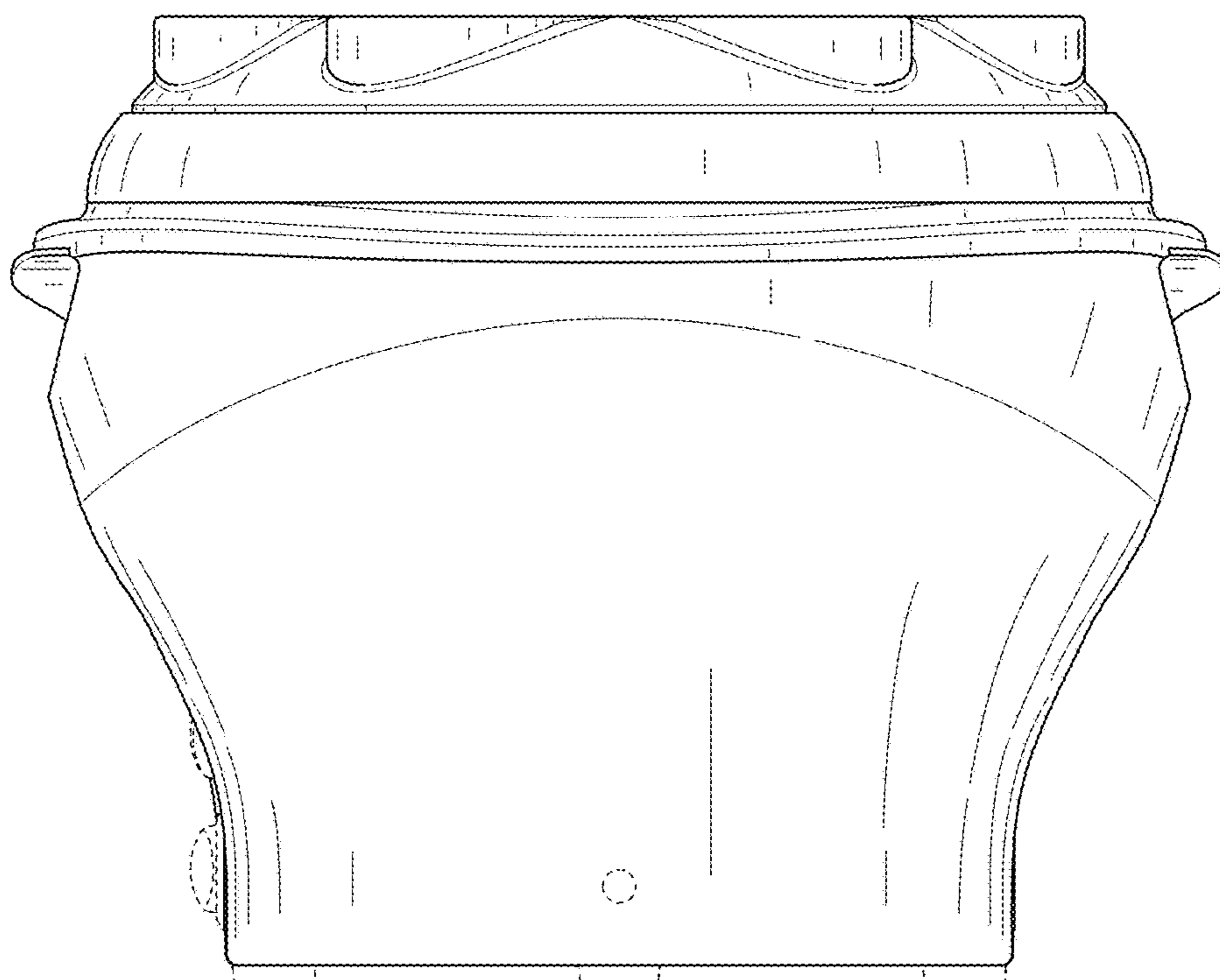


FIG. 3

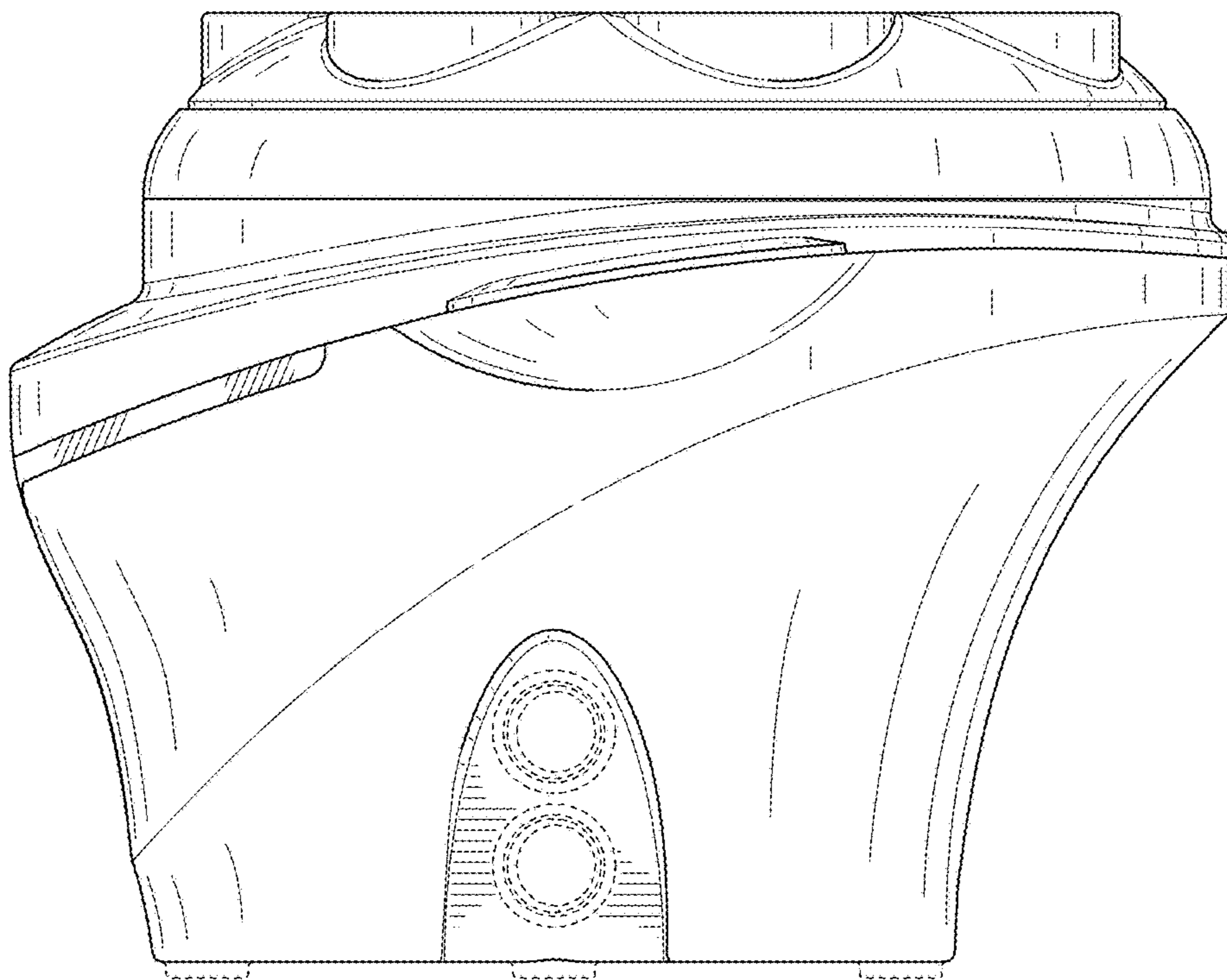


FIG. 4

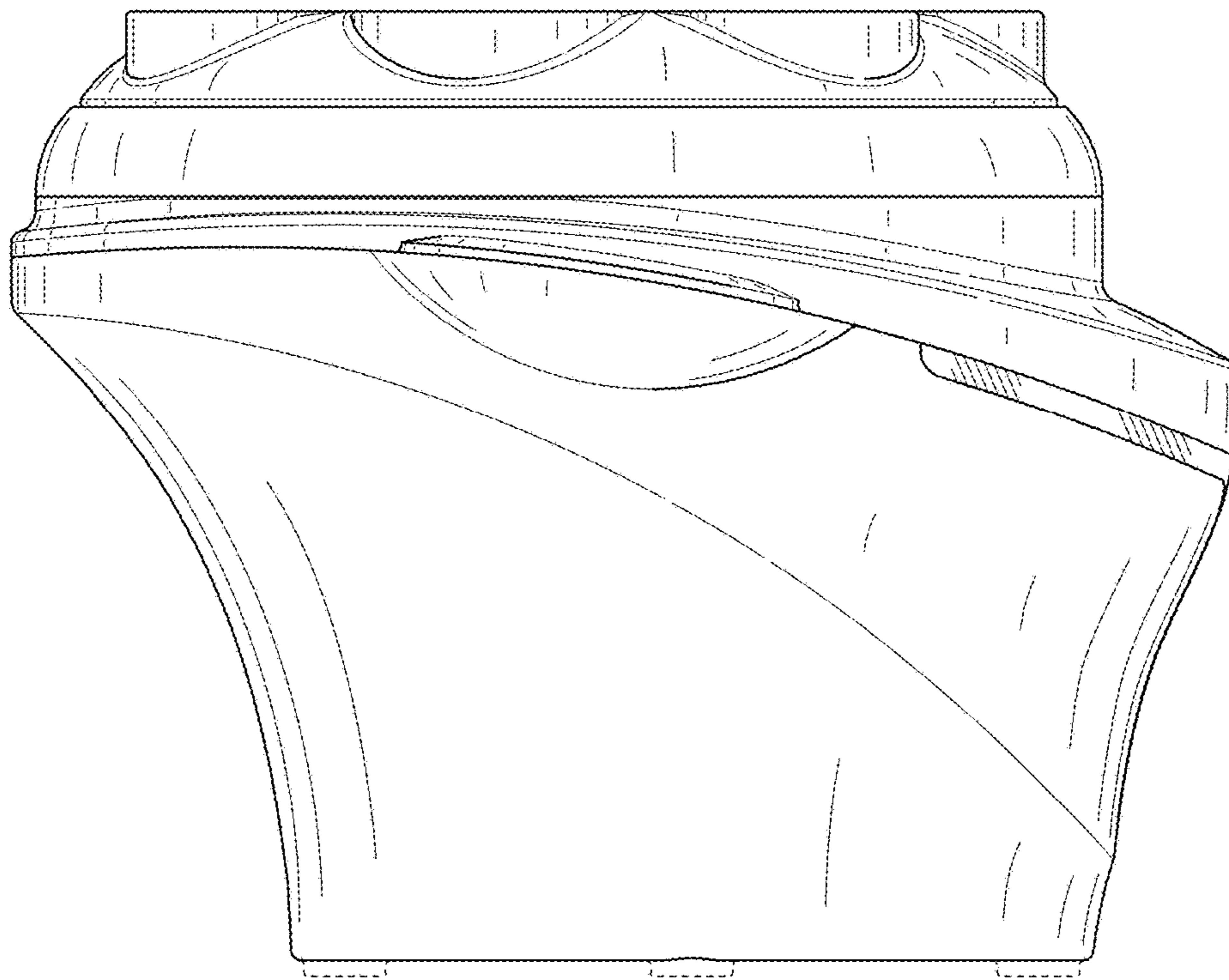


FIG. 5

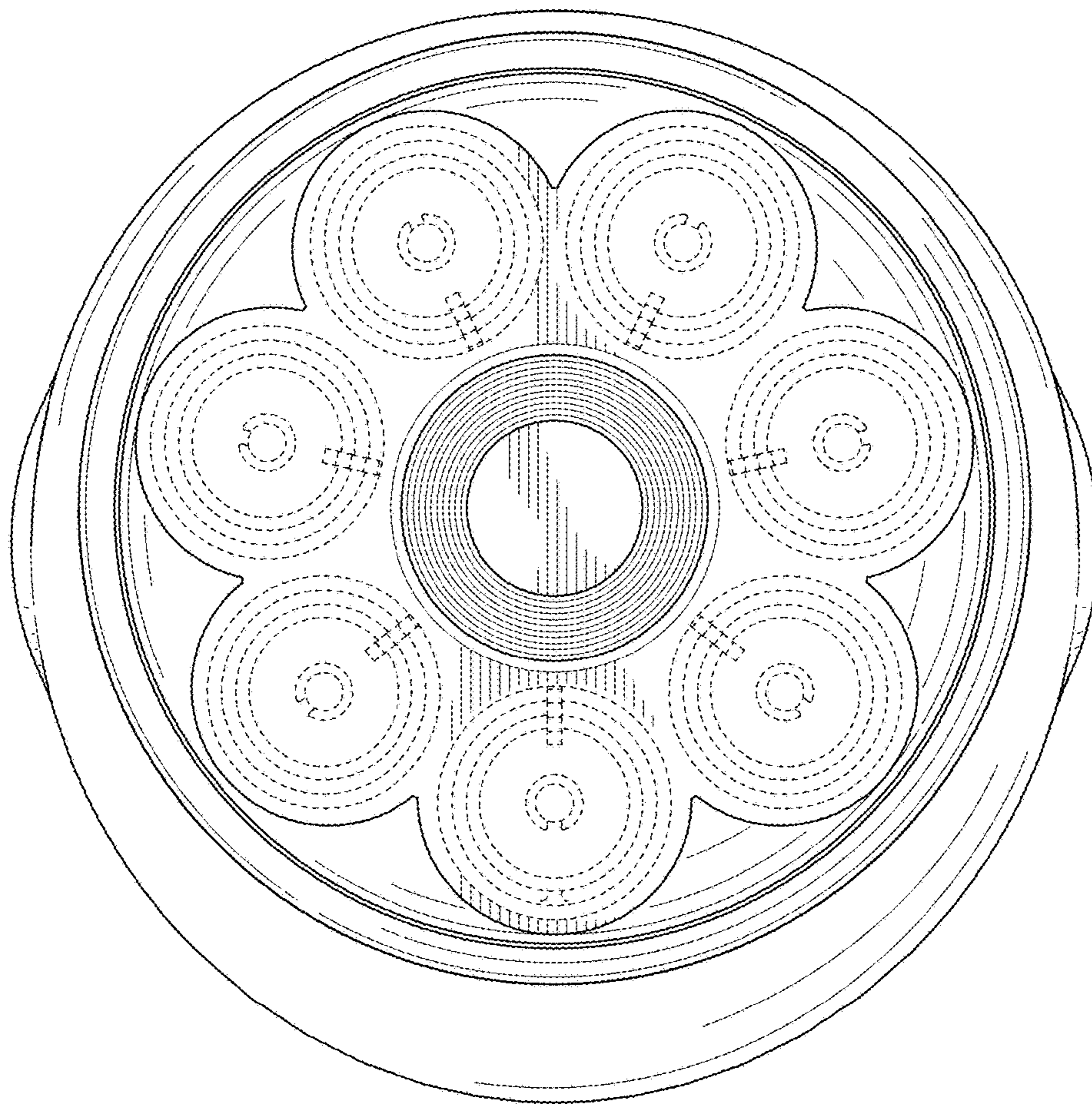


FIG. 6

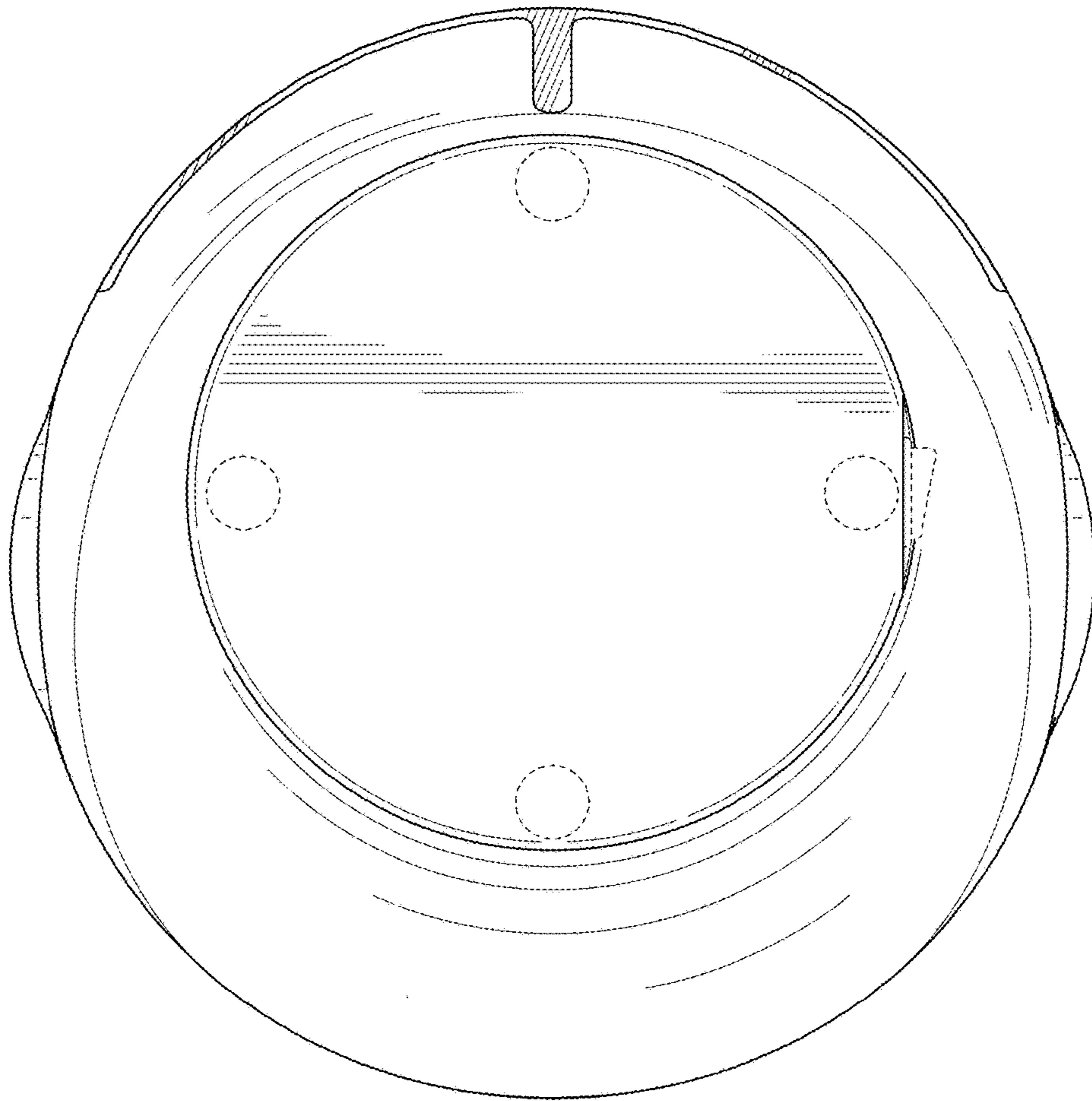


FIG. 7