



US00D857984S

(12) **United States Design Patent** (10) **Patent No.:** **US D857,984 S**
Zhu (45) **Date of Patent:** **** *Aug. 27, 2019**

- (54) **ELECTRONIC CIGARETTE**
- (71) Applicant: **SHENZHEN KANGER TECHNOLOGY CO., LTD.**, Shenzhen (CN)
- (72) Inventor: **Xiaochun Zhu**, Shenzhen (CN)
- (73) Assignee: **SHENZHEN KANGER TECHNOLOGY CO., LTD.**, Shenzhen (CN)
- (*) Notice: This patent is subject to a terminal disclaimer.
- (**) Term: **15 Years**
- (21) Appl. No.: **29/597,720**
- (22) Filed: **Mar. 20, 2017**
- (51) **LOC (12) Cl.** **27-02**
- (52) **U.S. Cl.**
USPC **D27/162**
- (58) **Field of Classification Search**
USPC D27/100, 101, 162-170, 172-195
CPC A24F 1/30; A24F 47/002; A24F 9/14
See application file for complete search history.

- D725,310 S * 3/2015 Eksouzian D27/101
- D728,855 S * 5/2015 Liu D27/163
- D729,444 S * 5/2015 Leidel D27/163
- D729,445 S * 5/2015 Leidel D27/163
- D730,572 S * 5/2015 Leidel D27/163
- D731,114 S * 6/2015 Leidel D27/163
- D733,356 S * 6/2015 Leidel D27/163
- D743,099 S * 11/2015 Oglesby D27/101

(Continued)

Primary Examiner — Marissa J Cash
(74) *Attorney, Agent, or Firm* — Ming Jiang; MM IP Services LLC

(57) **CLAIM**

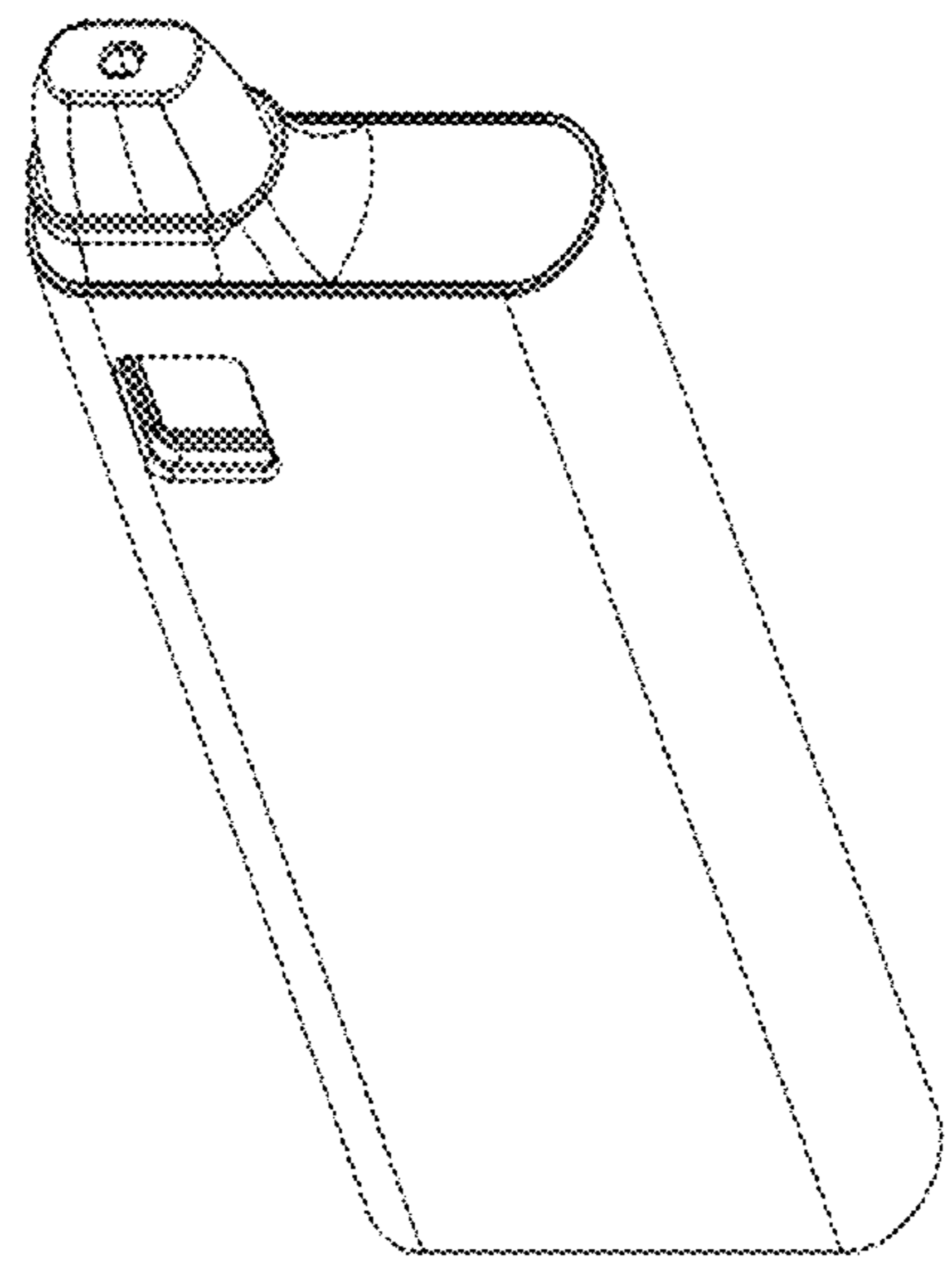
I claim the ornamental design for electronic cigarette, as shown and described.

DESCRIPTION

FIG. 1 is a right side, top perspective view of the electronic cigarette embodying my design;
 FIG. 2 is a front elevation view of the electronic cigarette;
 FIG. 3 is a rear elevation view of the electronic cigarette;
 FIG. 4 is a left elevation view of the electronic cigarette;
 FIG. 5 is a right elevation view of the electronic cigarette;
 FIG. 6 is a top elevation view of the electronic cigarette;
 FIG. 7 is a bottom elevation view of the electronic cigarette;
 FIG. 8 is a right side, top perspective view of the electronic cigarette;
 FIG. 9 is a front elevation view of the electronic cigarette;
 FIG. 10 is a rear elevation view of the electronic cigarette;
 FIG. 11 is a left elevation view of the electronic cigarette;
 FIG. 12 is a right elevation view of the electronic cigarette;
 FIG. 13 is a top elevation view of the electronic cigarette;
 and,
 FIG. 14 is a bottom elevation view of the electronic cigarette.
 The broken lines in the drawings depict portions of the electronic cigarette that form no part of the claimed design.

1 Claim, 10 Drawing Sheets

- (56) **References Cited**
U.S. PATENT DOCUMENTS
- 4,993,435 A * 2/1991 McCann A24F 13/00
131/175
- D347,490 S * 5/1994 Gee D27/194
- D368,552 S * 4/1996 Adams D27/194
- D401,012 S * 11/1998 Montoya D27/187
- D422,113 S * 3/2000 Higgins D27/186
- D532,927 S * 11/2006 Sann D27/101
- D577,150 S * 9/2008 Bryman D27/163
- D649,708 S * 11/2011 Oneil D27/163
- D718,492 S * 11/2014 Albanese D27/101
- D721,202 S * 1/2015 Liu D27/101



(56)

References Cited

U.S. PATENT DOCUMENTS

D745,213 S * 12/2015 Alima D27/143
 D748,325 S * 1/2016 Leidel D27/163
 D753,336 S * 4/2016 Chen D27/101
 D753,338 S * 4/2016 Chen D27/162
 D758,004 S * 5/2016 Freshwater D27/163
 D758,655 S * 6/2016 Freshwater D27/163
 D758,656 S * 6/2016 Freshwater D27/163
 D759,303 S * 6/2016 Afridi D27/101
 D760,429 S * 6/2016 Emarlou D27/163
 D760,948 S * 7/2016 Eksouzian D27/101
 D761,999 S * 7/2016 Liu D27/101
 D768,331 S * 10/2016 Chen D27/101
 D768,918 S * 10/2016 Ward D27/167
 D769,520 S * 10/2016 Hua D27/167
 D770,678 S * 11/2016 Shin D27/163
 D771,309 S * 11/2016 Ward D27/167
 D771,867 S * 11/2016 Leidel D27/163
 D772,477 S * 11/2016 Shin D27/163
 D773,114 S * 11/2016 Leidel D27/163
 D773,116 S * 11/2016 Liu D27/167
 D775,414 S * 12/2016 Ampolini D13/108
 D775,762 S * 1/2017 Chen D27/101
 D776,337 S * 1/2017 Levin D27/101
 D776,869 S * 1/2017 Heidl D27/163
 D778,492 S * 2/2017 Liu D27/101
 D779,719 S * 2/2017 Qiu D27/101
 D780,373 S * 2/2017 Bennett D27/186
 D783,895 S * 4/2017 Chen D27/163
 D785,237 S * 4/2017 Wu D27/167

D785,862 S * 5/2017 Wu D27/167
 D786,497 S * 5/2017 Sudlow D27/162
 D788,362 S * 5/2017 Qiu D27/101
 D789,598 S * 6/2017 Chen D27/163
 D790,766 S * 6/2017 Li D27/163
 D792,020 S * 7/2017 Mendoza D27/101
 D792,021 S * 7/2017 Beer D27/101
 D792,642 S * 7/2017 Mendoza D27/101
 D792,643 S * 7/2017 Wong D27/101
 D799,110 S * 10/2017 Qiu D27/101
 D799,111 S * 10/2017 Qiu D27/101
 D799,112 S * 10/2017 Qiu D27/101
 D799,113 S * 10/2017 Qiu D27/101
 D799,743 S * 10/2017 Qiu D27/101
 D799,744 S * 10/2017 Qiu D27/101
 D799,745 S * 10/2017 Qiu D27/101
 D799,746 S * 10/2017 Leidel D27/163
 D800,377 S * 10/2017 Liu D27/101
 D800,380 S * 10/2017 Williams D27/163
 D800,383 S * 10/2017 Verleur D27/167
 D802,206 S * 11/2017 Huang D27/101
 D802,834 S * 11/2017 Mathias D27/163
 D802,839 S * 11/2017 Scott D27/194
 D804,717 S * 12/2017 Wang D27/101
 D814,693 S * 4/2018 Qiu D27/101
 2011/0162663 A1 * 7/2011 Bryman A24F 3/00
 131/226
 2015/0034104 A1 * 2/2015 Zhou A24F 47/008
 131/329
 2015/0053217 A1 * 2/2015 Steingraber A24F 47/008
 131/329

* cited by examiner

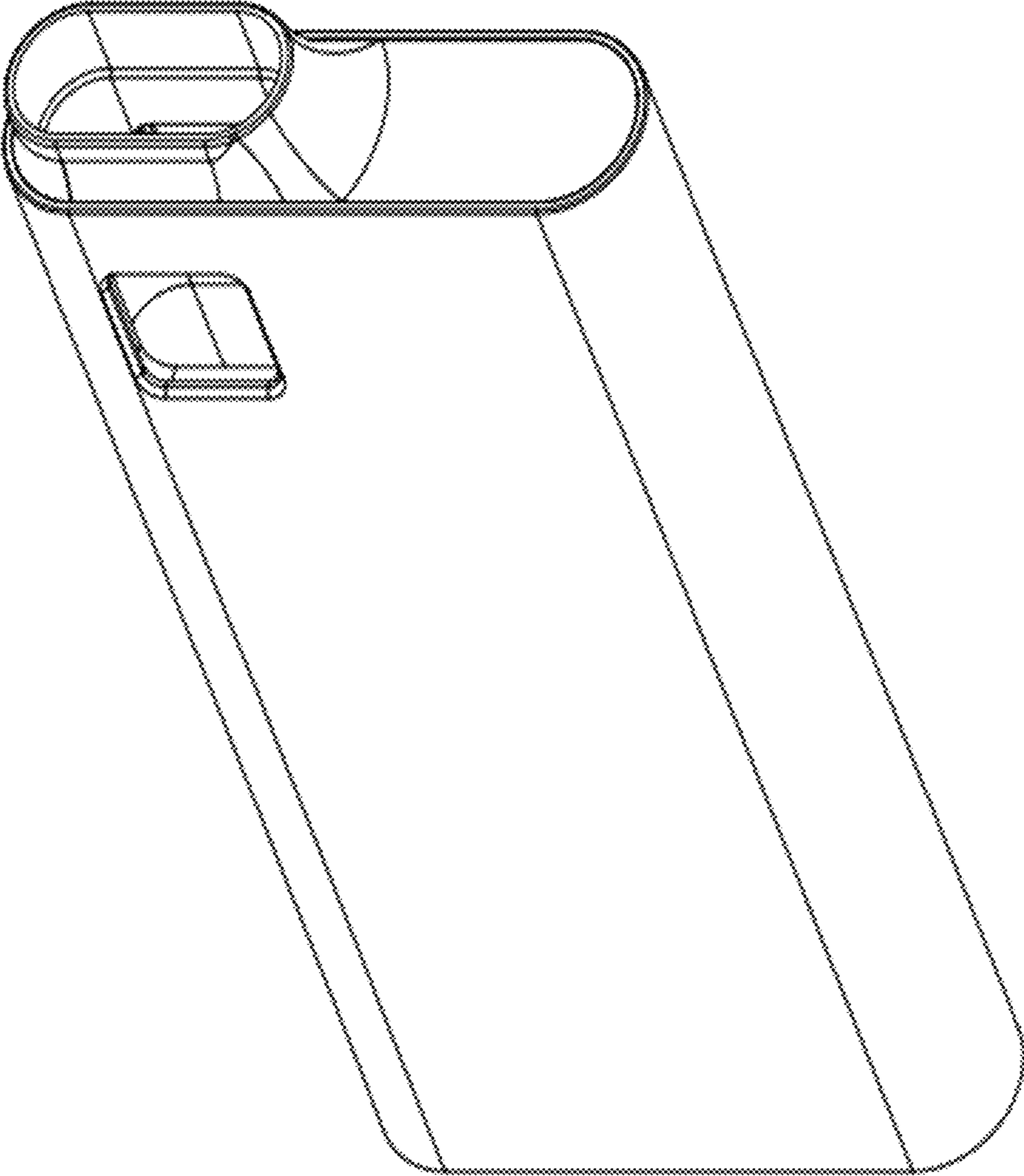


FIG. 1

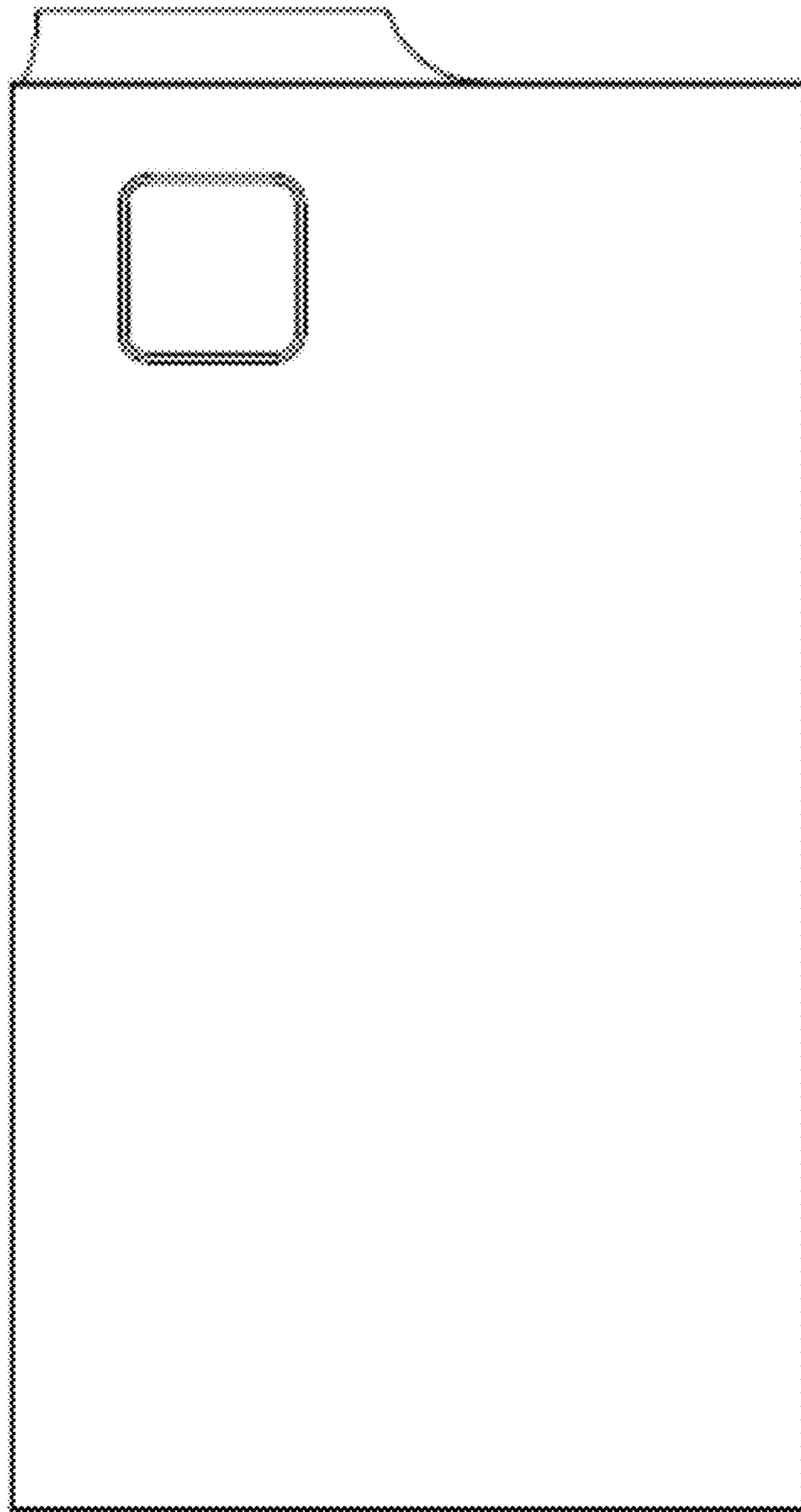


FIG. 2

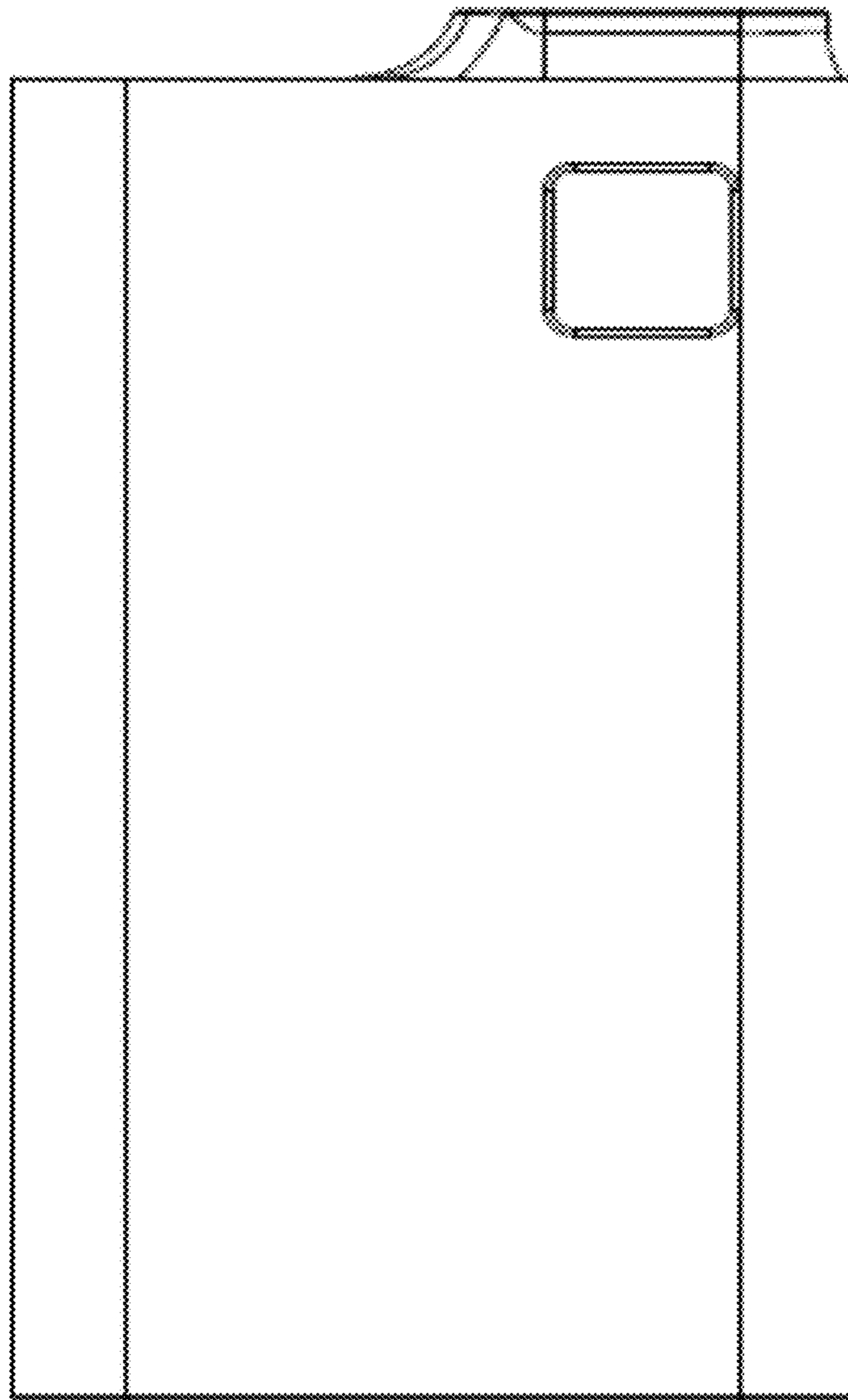


FIG. 3

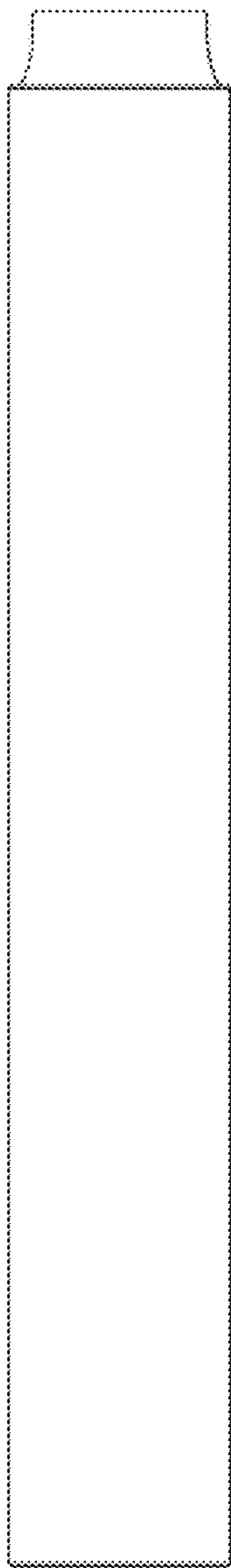


FIG. 4

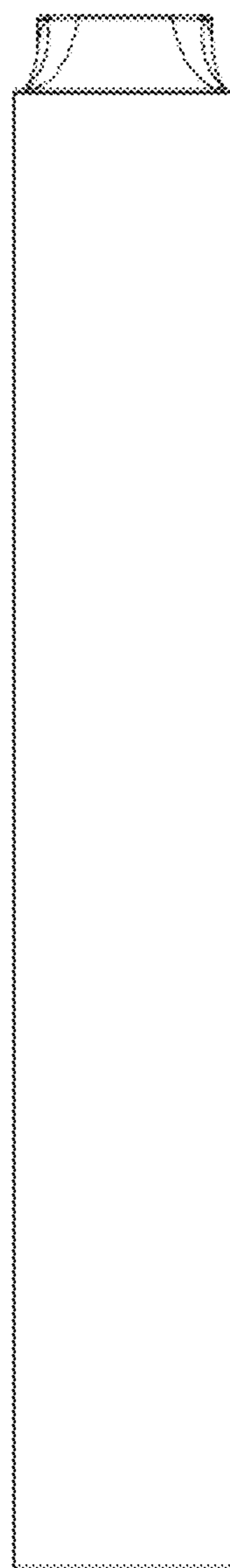


FIG. 5

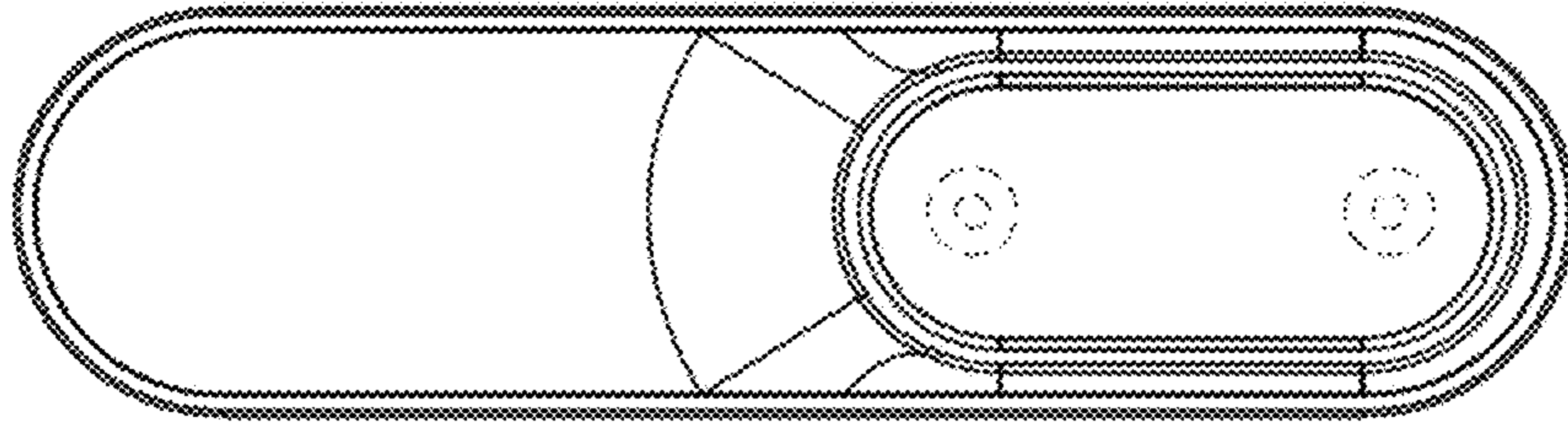


FIG. 6

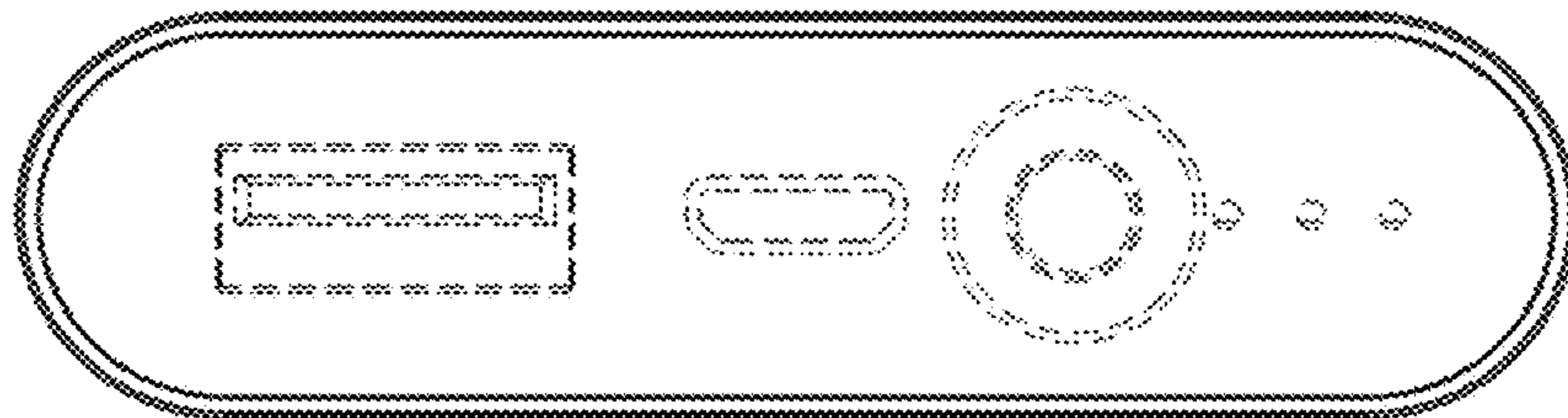


FIG. 7

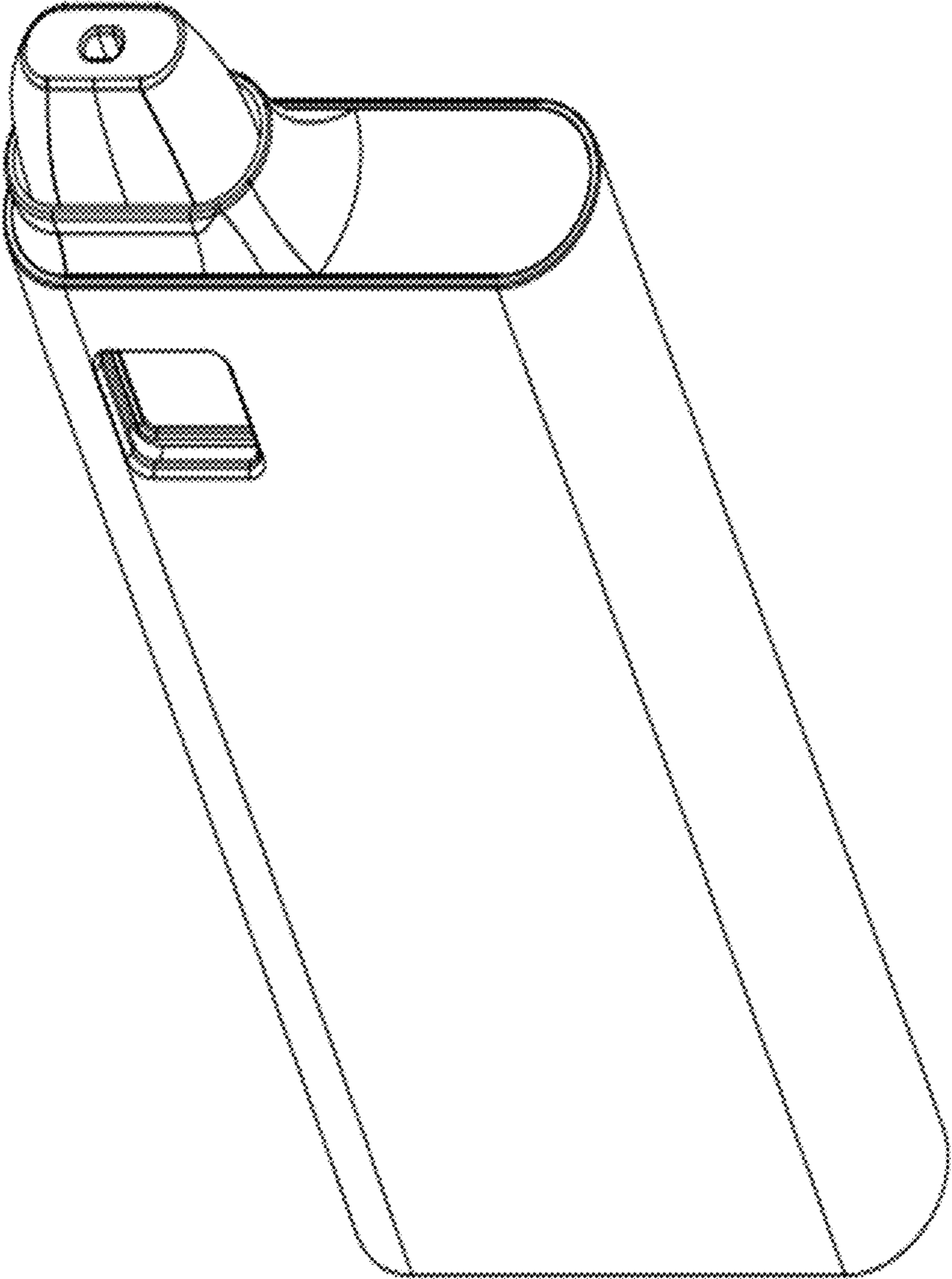


FIG. 8

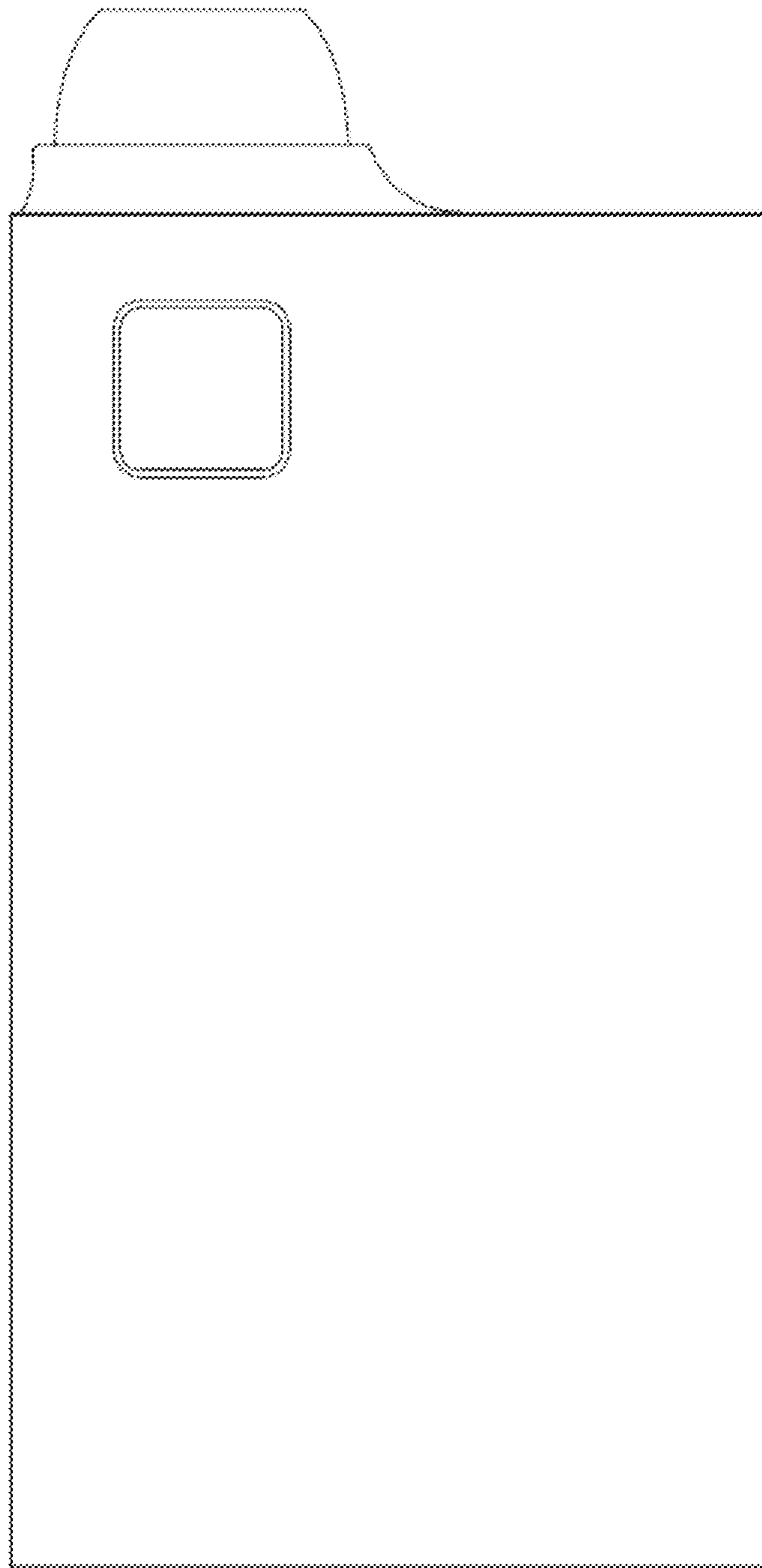


FIG. 9

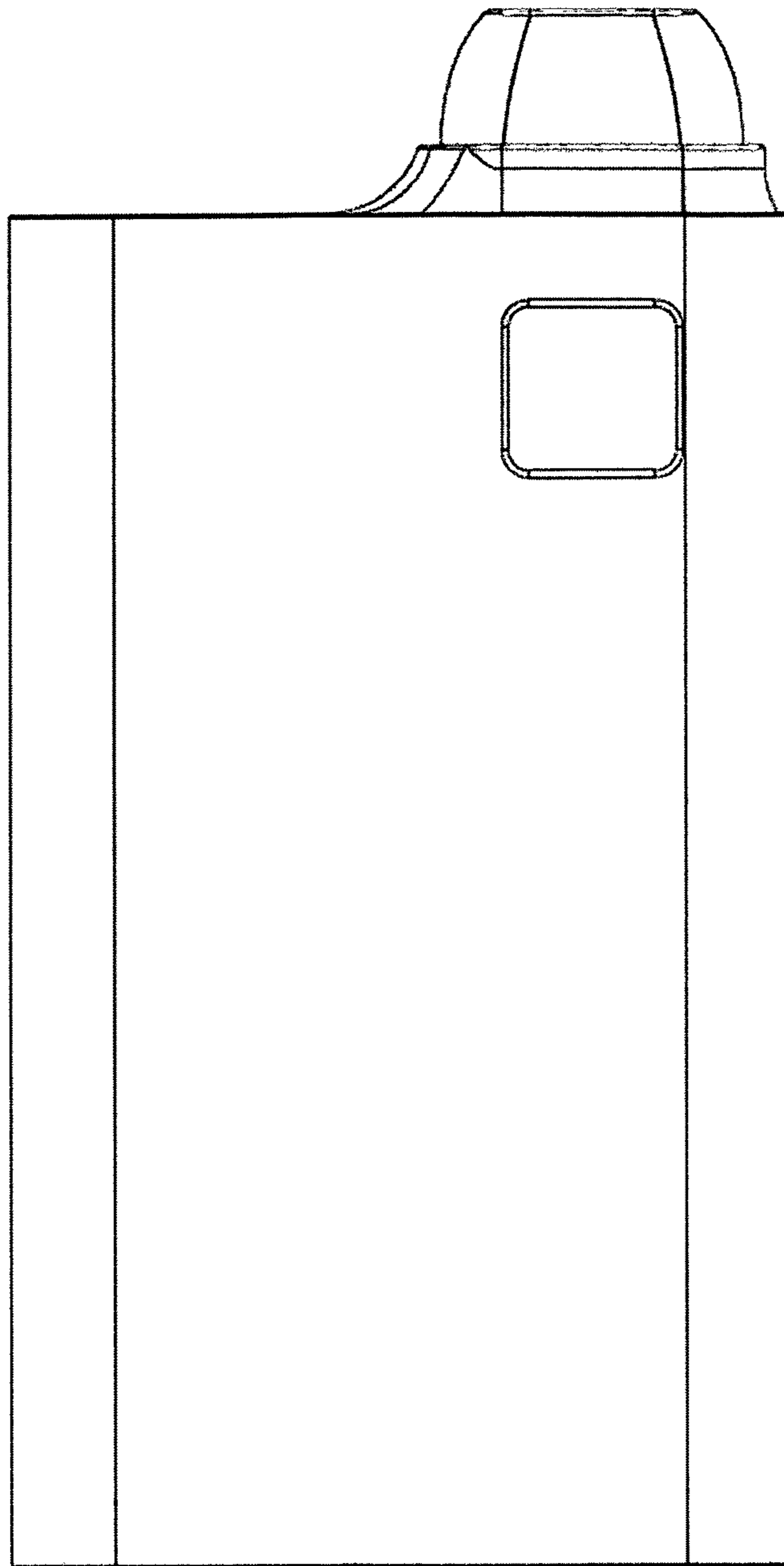


FIG. 10

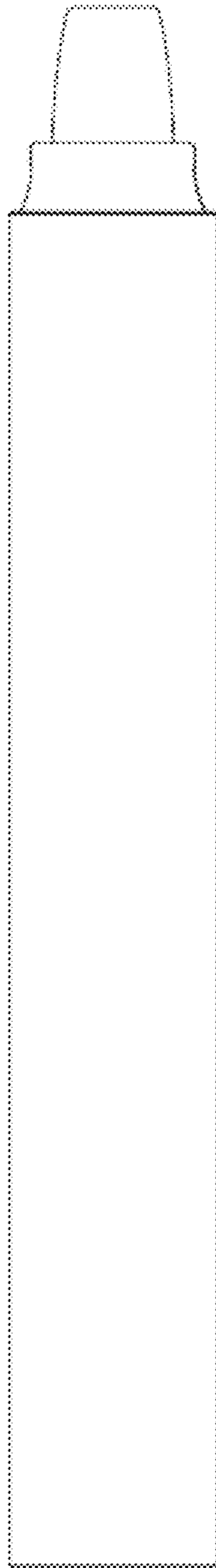


FIG. 11

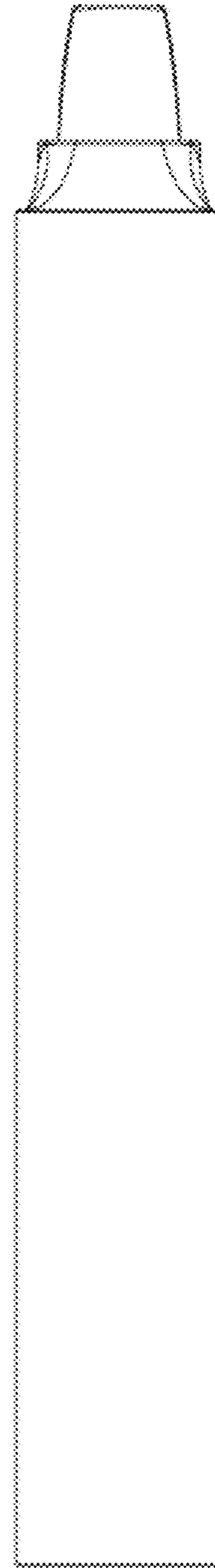


FIG. 12

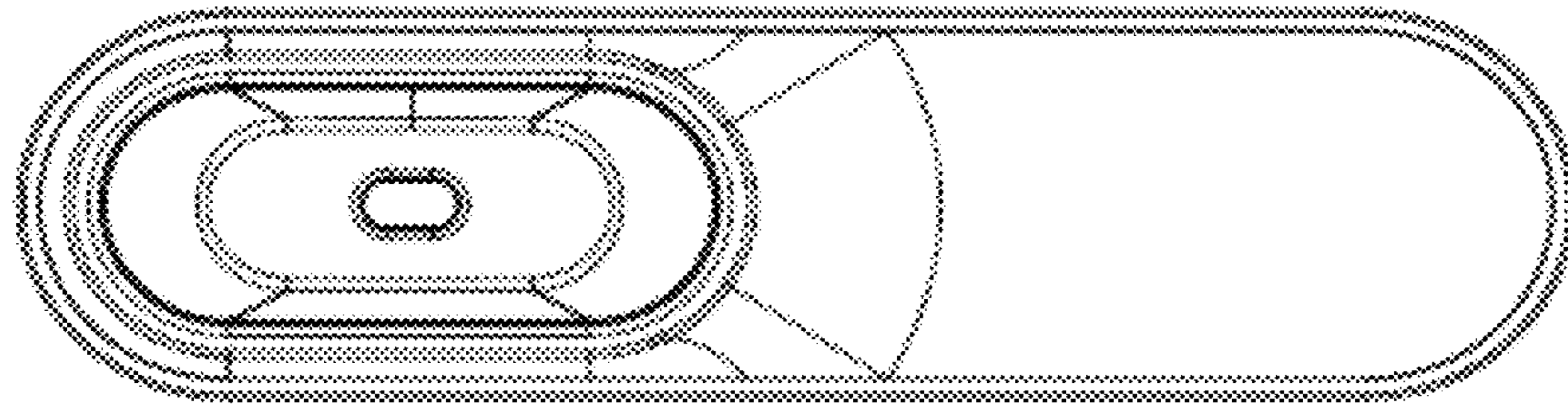


FIG. 13

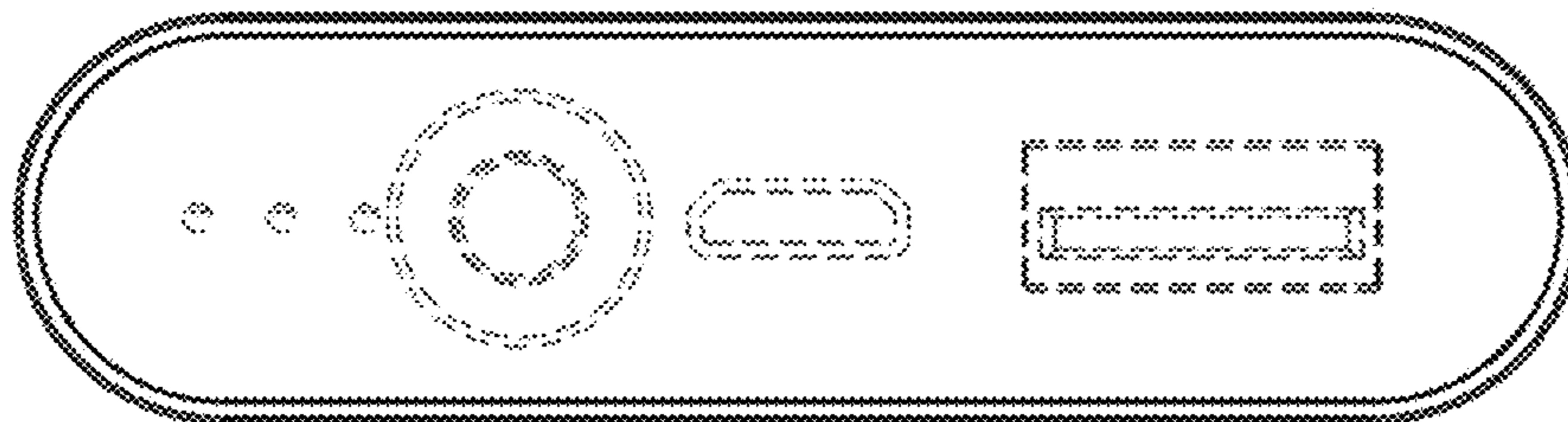


FIG. 14