



US00D857981S

(12) **United States Design Patent** (10) **Patent No.:** **US D857,981 S**  
**Stanford et al.** (45) **Date of Patent:** **\*\* Aug. 27, 2019**

(54) **HIGH-BAY LUMINAIRE**

(56) **References Cited**

(71) Applicant: **SIGNIFY HOLDING B.V.**, Eindhoven (NL)

U.S. PATENT DOCUMENTS

(72) Inventors: **Clint Stanford**, Pontotoc, MS (US);  
**Dana Wallace**, Tupelo, MS (US)

D389,949	S	*	1/1998	Walker	.....	D26/118
D428,512	S	*	7/2000	Minissi	.....	D26/88
D547,486	S	*	7/2007	Donegani	.....	D26/104
D555,825	S	*	11/2007	Lecluze	.....	D26/138
D591,446	S	*	4/2009	Tufano	.....	D26/138
D592,792	S	*	5/2009	Keller	.....	D26/88
D658,328	S	*	4/2012	Baldwin	.....	D26/138
D685,521	S	*	7/2013	Liang	.....	D26/118
D710,536	S	*	8/2014	Mollaghaffari	.....	D26/138
D718,486	S	*	11/2014	Hildebrandt	.....	D26/118
D764,097	S	*	8/2016	Hamel	.....	D26/128
D792,637	S	*	7/2017	Godlewski	.....	D26/118
D803,453	S	*	11/2017	Engle	.....	D26/72
D803,460	S	*	11/2017	Engle	.....	D26/88
D810,981	S	*	2/2018	McRoberts	.....	D26/59
2010/0020549	A1	*	1/2010	Arceneaux	.....	F21S 8/06 362/362

(73) Assignee: **SIGNIFY HOLDING B.V.**, Eindhoven (NL)

(\*\*) Term: **15 Years**

(21) Appl. No.: **35/502,812**

(22) Filed: **Mar. 24, 2017**

(80) **Hague Agreement Data**

Int. Filing Date: **Mar. 24, 2017**  
Int. Reg. No.: **DM/095527**  
Int. Reg. Date: **Mar. 24, 2017**  
Int. Reg. Pub. Date: **Apr. 14, 2017**

\* cited by examiner

*Primary Examiner* — Natasha Vujcic

(30) **Foreign Application Priority Data**

Oct. 3, 2016 (EM) ..... 003403518-0001  
Oct. 3, 2016 (EM) ..... 003403518-0002

(51) **LOC (12) Cl.** ..... **26-05**

(52) **U.S. Cl.**  
USPC ..... **D26/138**

(58) **Field of Classification Search**  
USPC ..... D26/9, 37, 93, 104, 111, 113, 118, 119,  
D26/120, 121, 122, 138, 139, 140, 141,  
D26/142, 152  
CPC ..... F21S 2/00; F21S 4/00; F21S 4/003; F21S  
4/005; F21S 4/006; F21S 4/007; F21S  
4/008; F21S 6/00; F21S 8/00; F21S  
8/024; F21S 8/026; F21S 8/031; F21S  
8/033; F21S 8/035-037; F21S 8/04; F21S  
8/043; F21S 8/063  
See application file for complete search history.

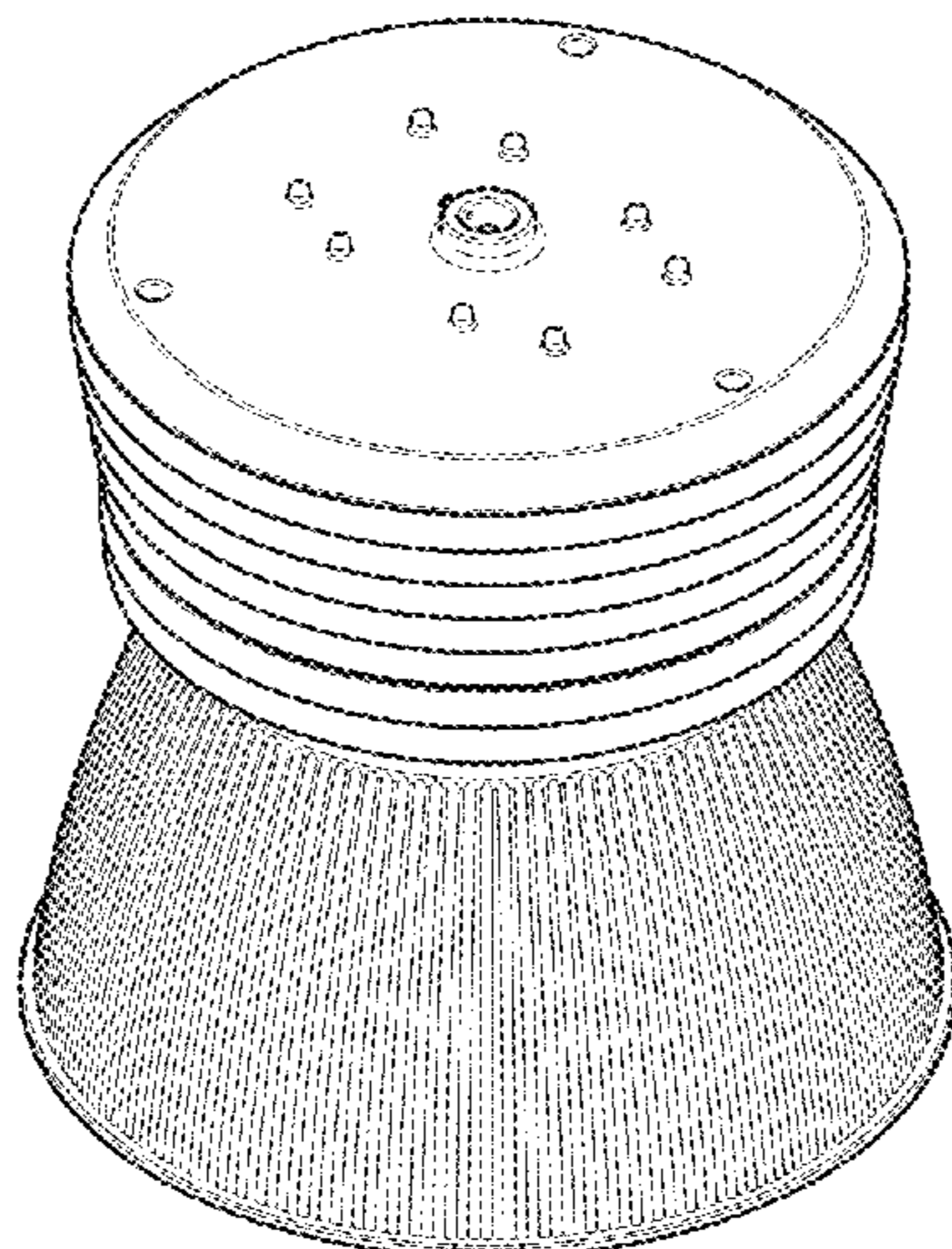
(57) **CLAIM**

The ornamental design for a high-bay luminaire, as shown and described.

**DESCRIPTION**

High-bay luminaire  
Fig. 1.1 is a top-down perspective view showing of a high-bay luminaire showing our new design;  
Fig. 1.2 is a front view showing of a luminaire showing our new design;  
Fig. 1.3 is a back view thereof;  
Fig. 1.4 is a right side view thereof;  
Fig. 1.5 is a left side elevational view thereof;  
Fig. 1.6 is a top plan view thereof;  
Fig. 1.7 is a bottom plan view thereof.  
The broken lines in the reproductions illustrate portions of the high-bay luminaire that form not part of the claimed design.

**1 Claim, 4 Drawing Sheets**



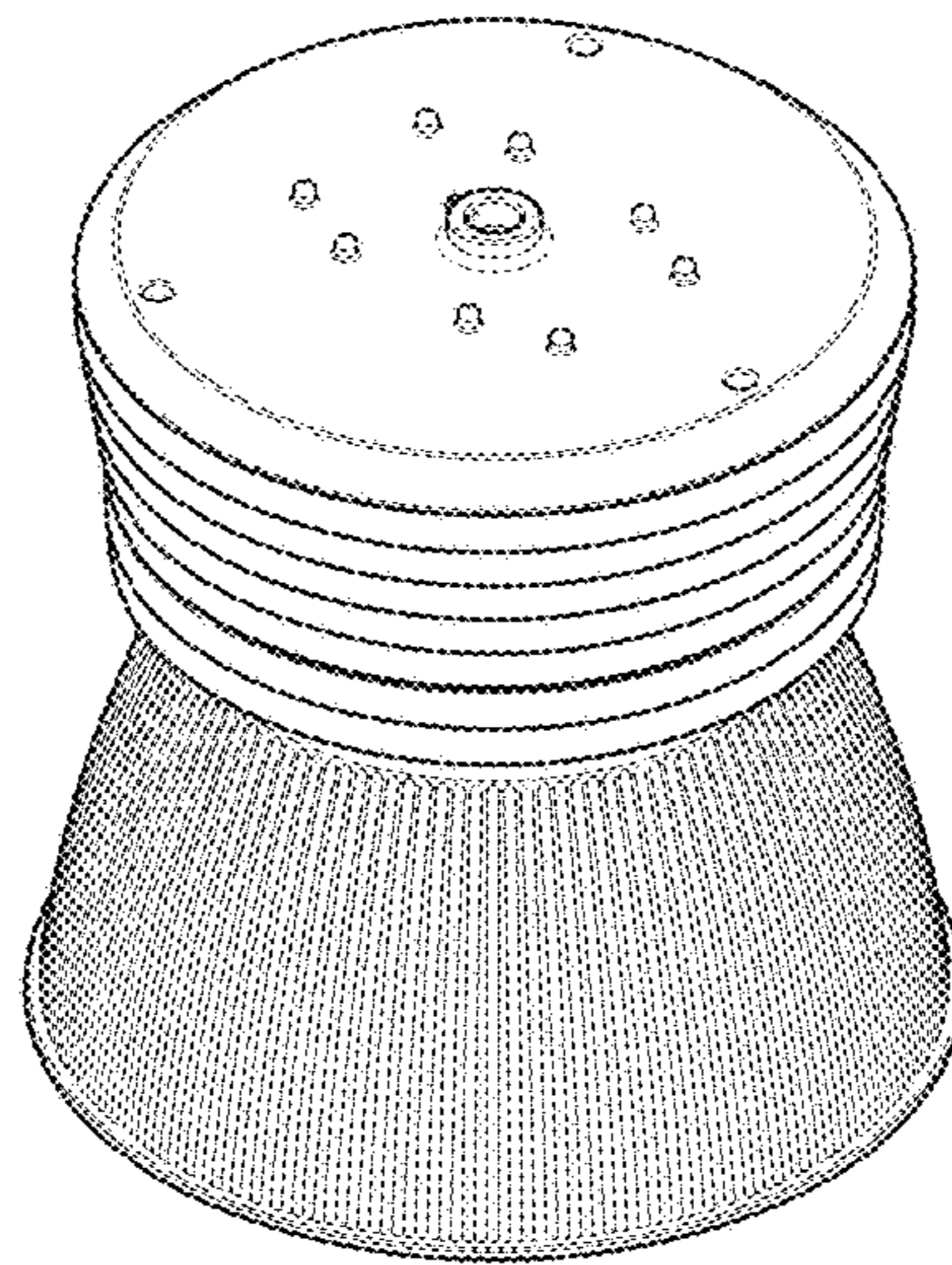


FIG. 1.1

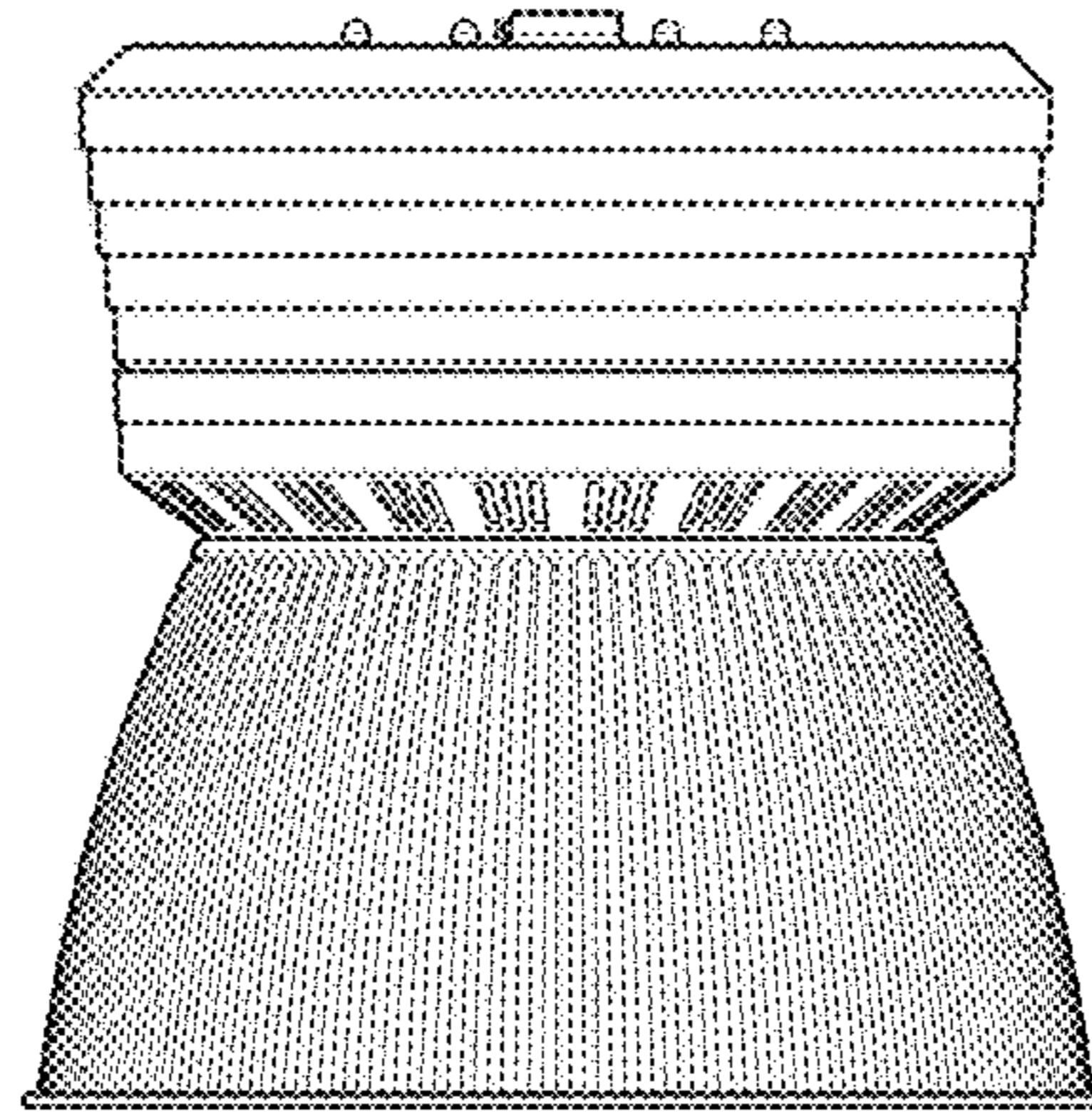


FIG. 1.2

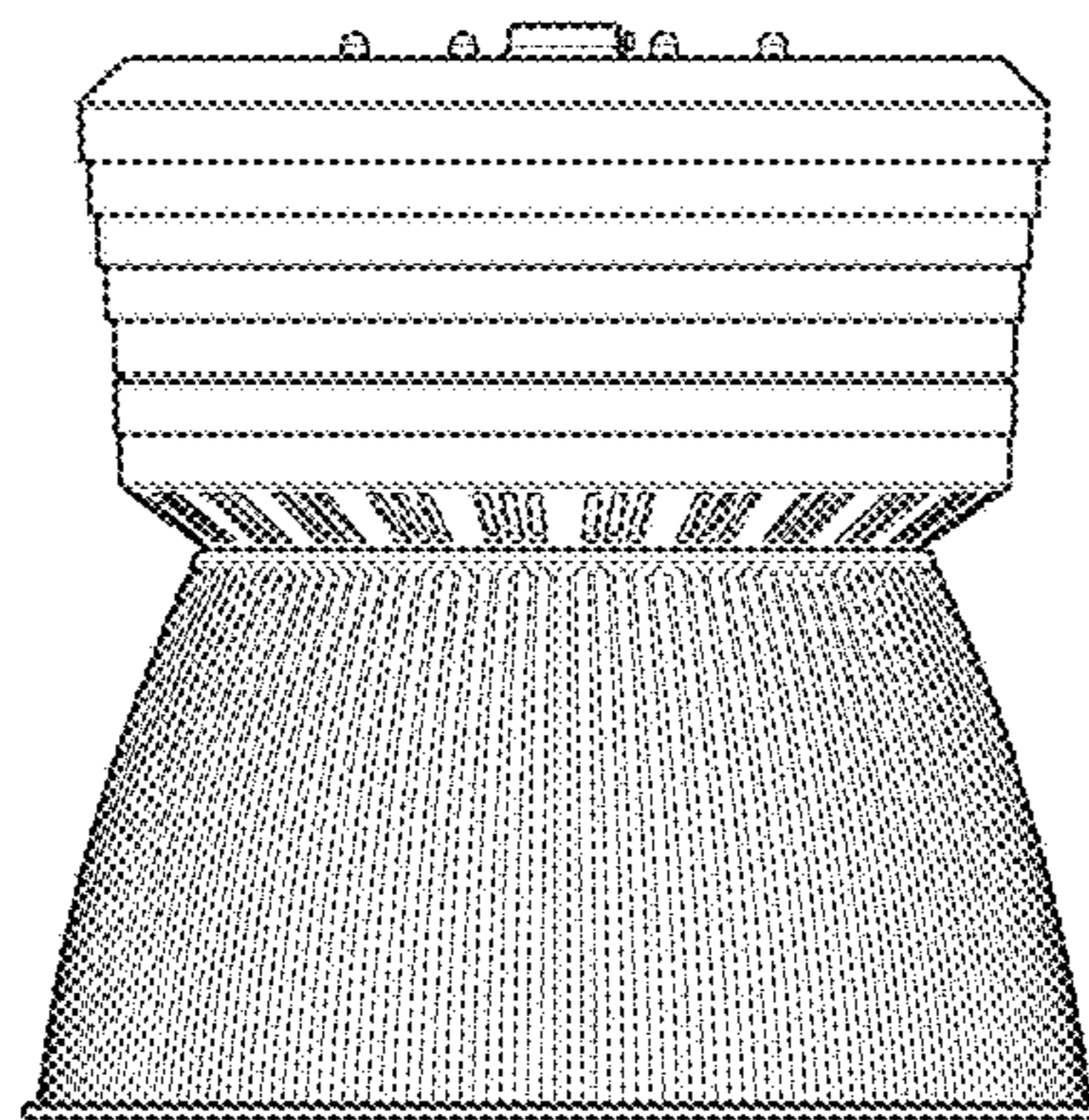


FIG. 1.3

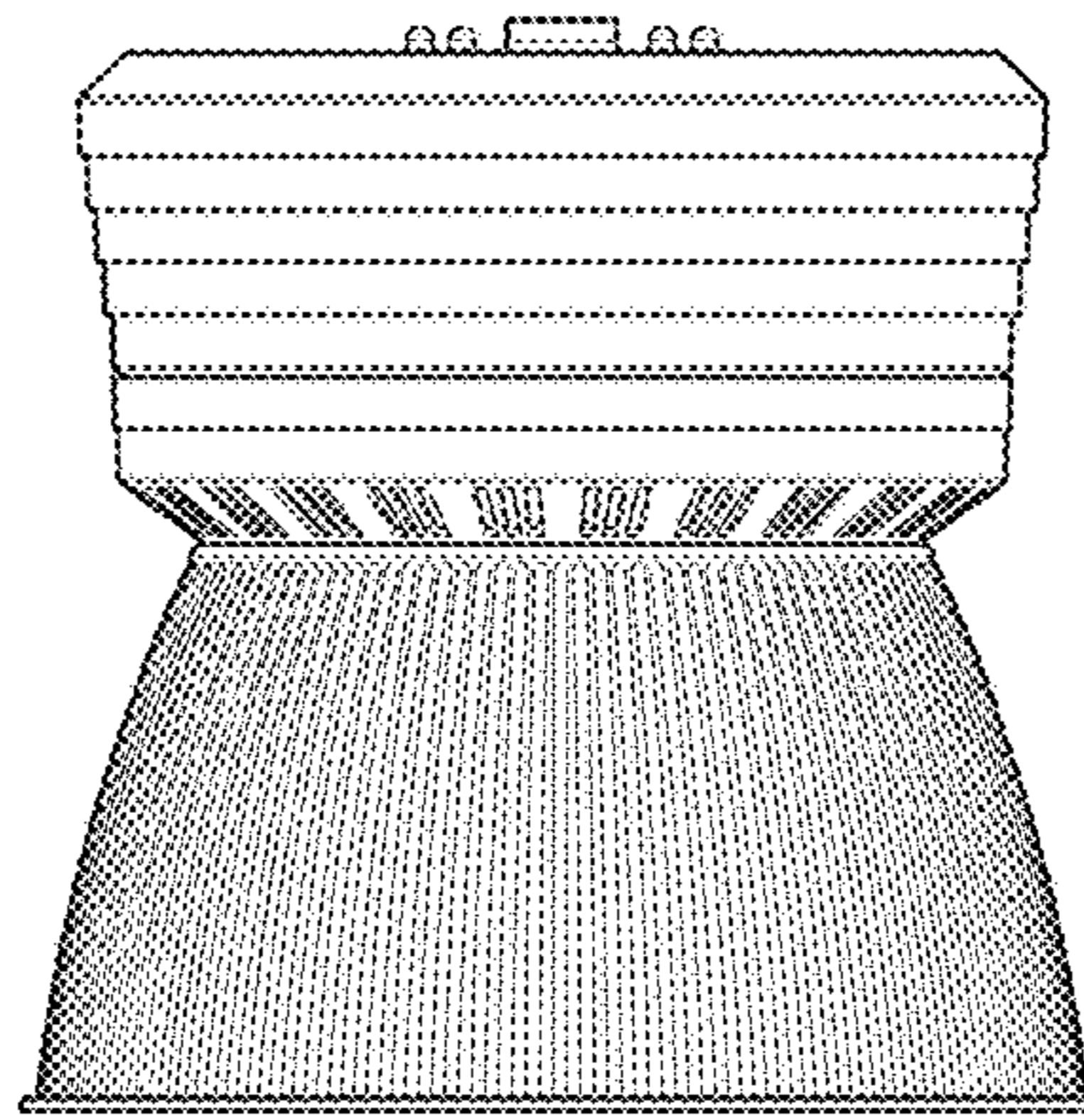


FIG. 1.4

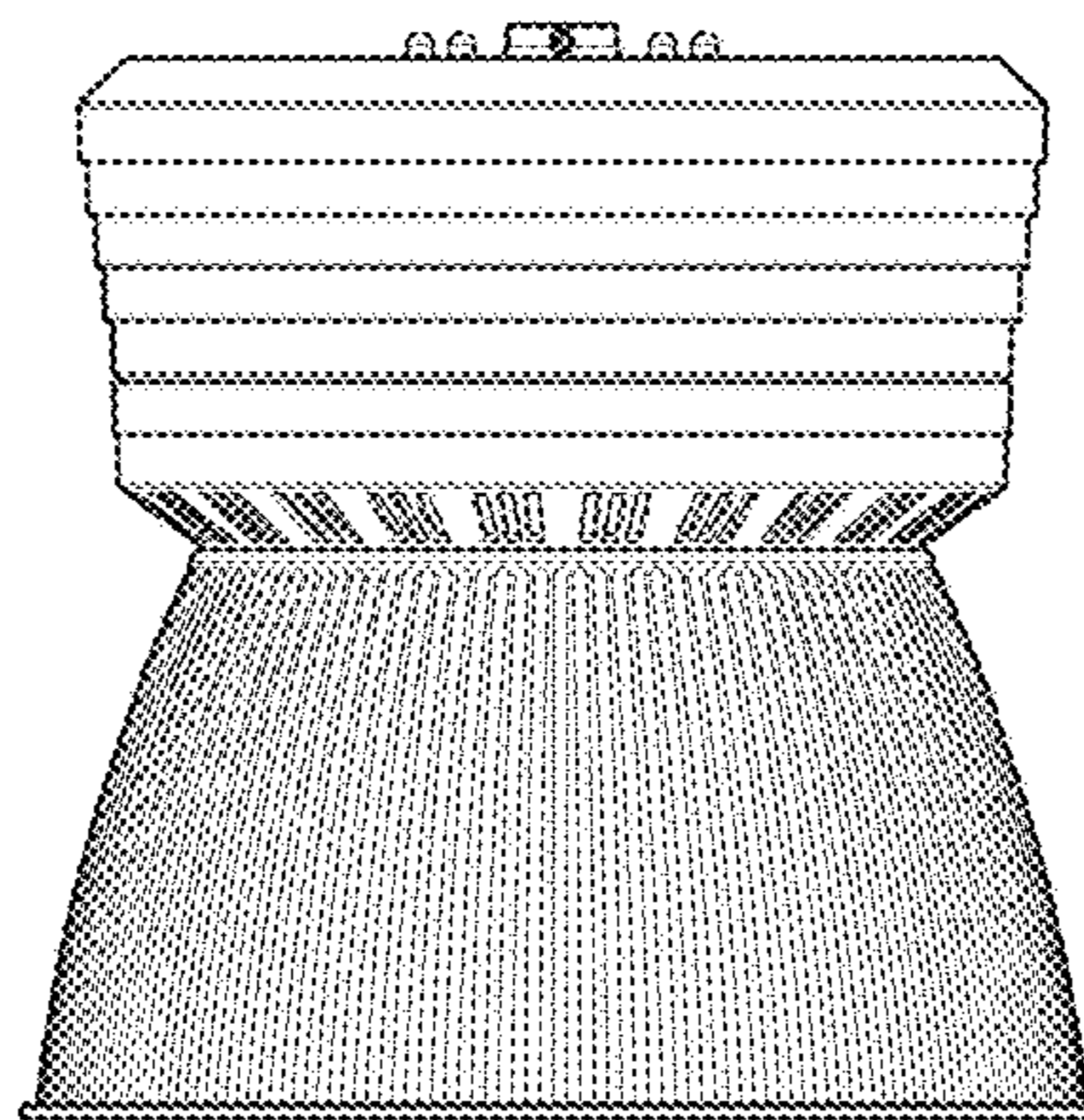


FIG. 1.5

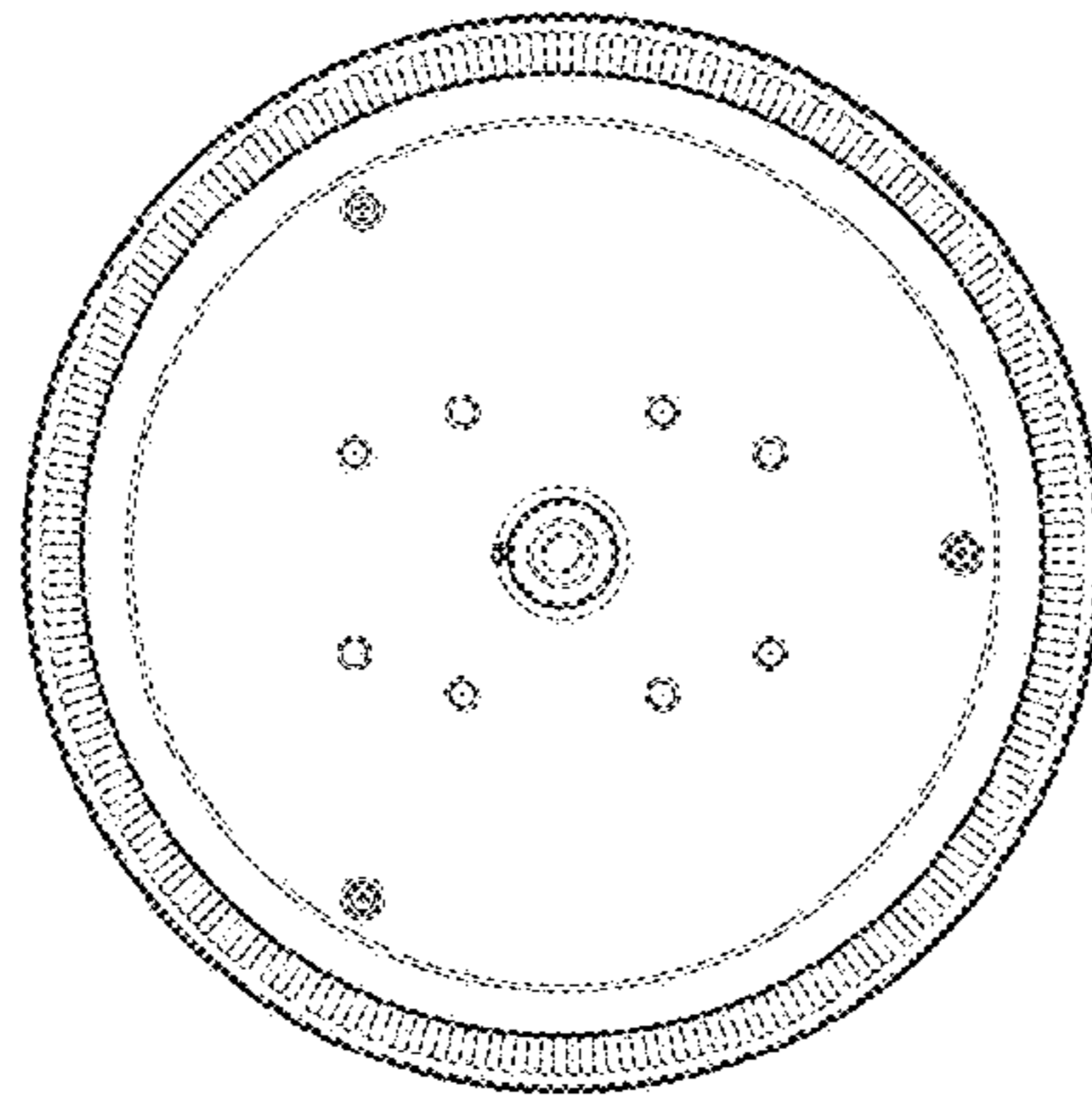


FIG. 1.6

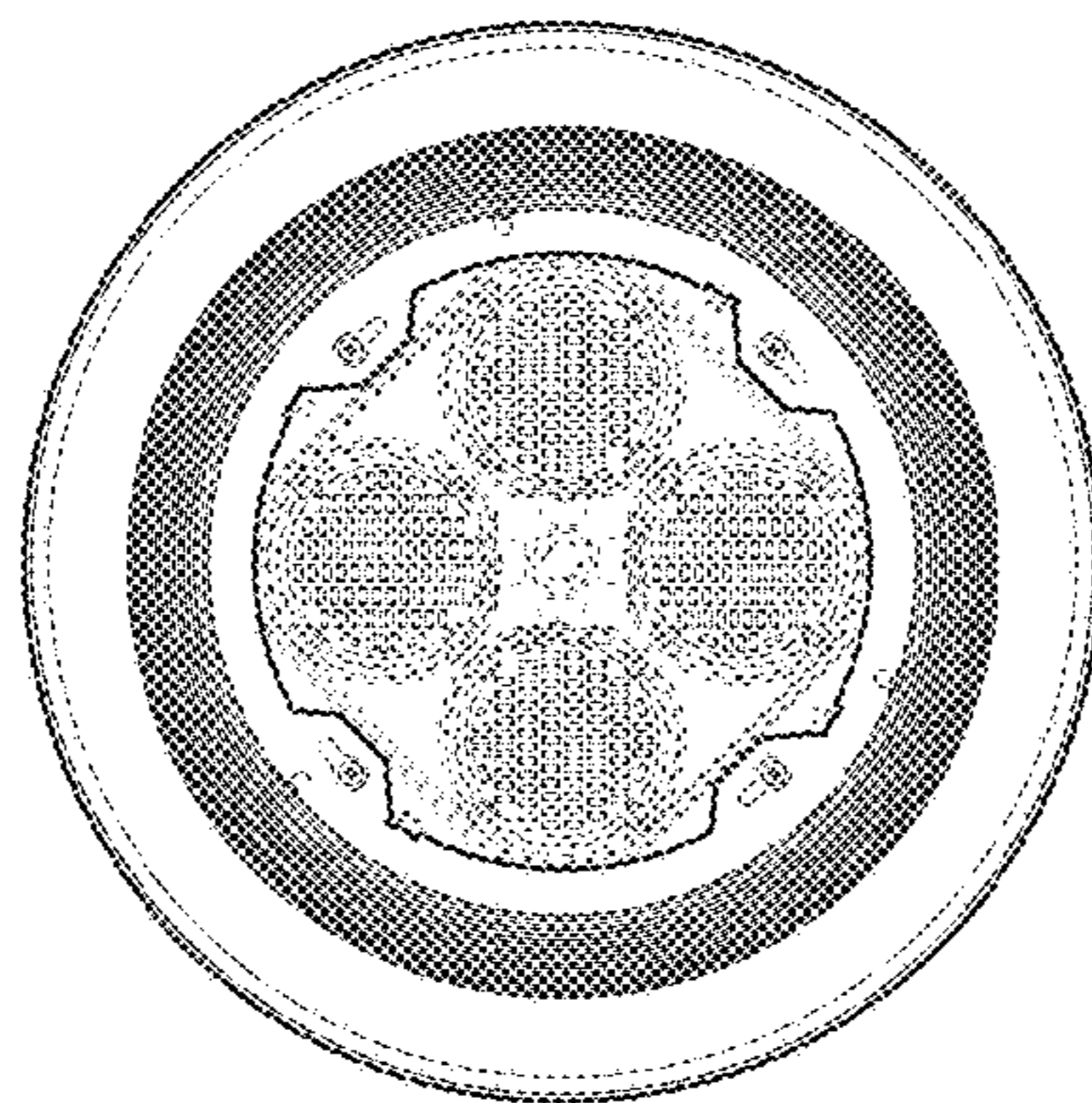


FIG. 1.7