



US00D857978S

(12) **United States Design Patent** (10) **Patent No.:** **US D857,978 S**  
**Fan** (45) **Date of Patent:** **\*\* Aug. 27, 2019**

(54) **SHADE OF HEATING LAMP**  
(71) Applicant: **NINGBO LUCKIBUY IMP & EXP CO., LTD.**, Ningbo, Zhejiang (CN)  
(72) Inventor: **Annie Fan**, Ningbo (CN)  
(73) Assignee: **NINGBO LUCKIBUY IMP & EXP CO., LTD.**, Ningbo, Zhejiang (CN)

2,259,237 A \* 10/1941 Baker ..... F21V 15/02  
362/376  
D150,527 S \* 8/1948 Wright ..... D26/119  
D300,372 S \* 3/1989 O'Dohanue ..... D26/67  
D368,670 S \* 4/1996 Taylor ..... D10/104.1  
D391,186 S \* 2/1998 Fagence ..... D10/106.1  
D395,702 S \* 6/1998 Flatt ..... D23/314  
D439,697 S \* 3/2001 Klaus ..... D26/119  
D500,383 S \* 12/2004 Lin ..... D26/119  
D767,195 S \* 9/2016 Pollack, Jr. .... D26/119

(\*\*) Term: **15 Years**  
(21) Appl. No.: **29/628,841**  
(22) Filed: **Dec. 7, 2017**

\* cited by examiner  
*Primary Examiner* — Brian N. Vinson  
(74) *Attorney, Agent, or Firm* — Raymond Y. Chan;  
David and Raymond Patent Firm

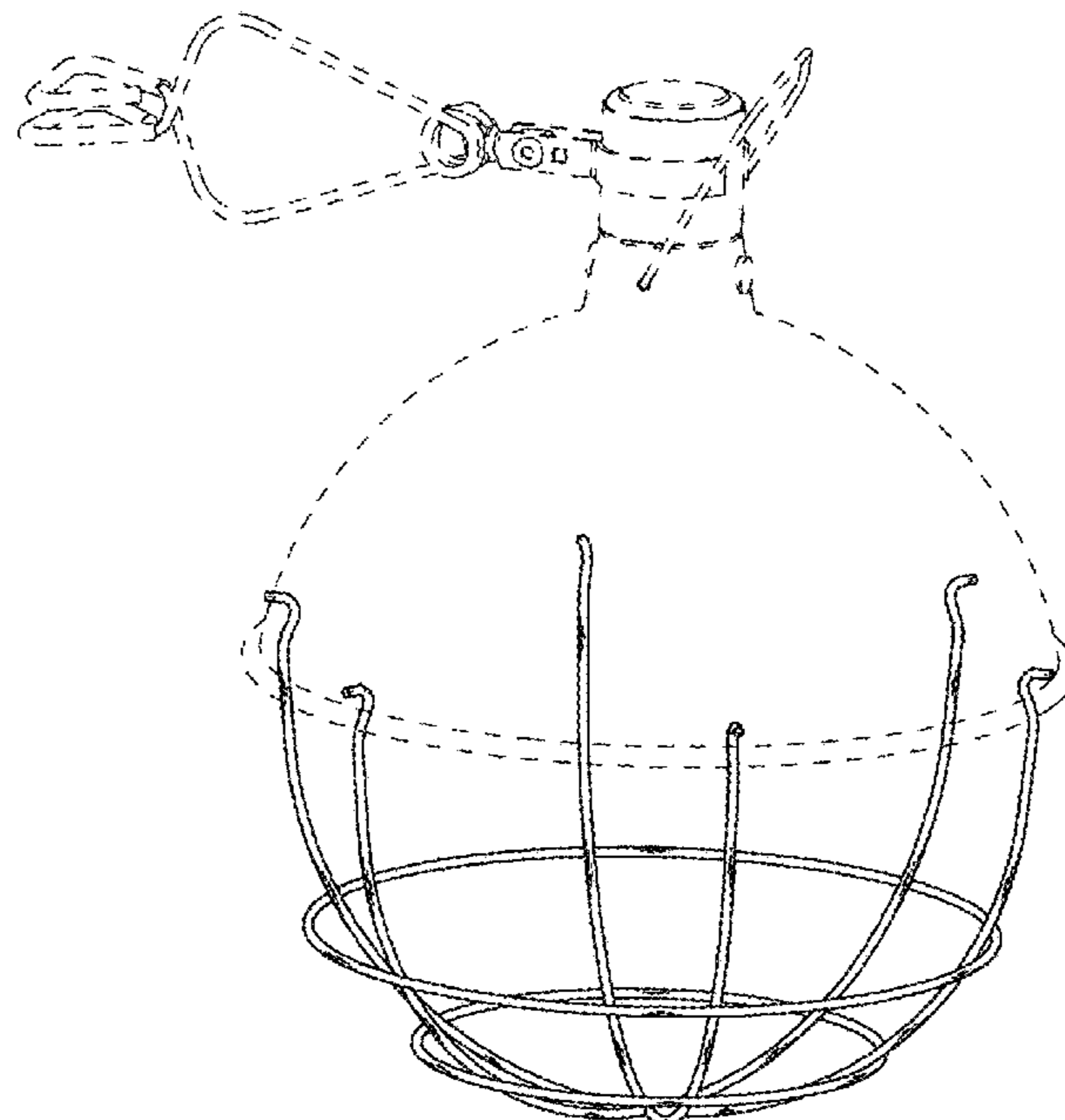
(30) **Foreign Application Priority Data**  
Oct. 16, 2017 (CN) ..... 2017 3 0490269  
(51) **LOC (12) Cl.** ..... **26-99**  
(52) **U.S. Cl.**  
USPC ..... **D26/119**  
(58) **Field of Classification Search**  
USPC ..... D26/67, 119; D10/104.1, 106.1  
CPC .. F21S 8/04; F21V 15/02; F21V 21/03; F21V  
29/20; F21V 29/2212; F21V 17/01  
See application file for complete search history.

(57) **CLAIM**  
The ornamental design for a shade of heating lamp, as shown and described.

(56) **References Cited**  
U.S. PATENT DOCUMENTS  
D75,869 S \* 7/1928 Pfeiffer ..... D26/119  
1,978,882 A \* 10/1934 Olley ..... F21V 17/01  
174/559

**DESCRIPTION**  
FIG. 1 is a perspective view of the heating lamp shade showing my new design.  
FIG. 2 is another perspective view thereof.  
FIG. 3 is a front view thereof.  
FIG. 4 is a rear view thereof.  
FIG. 5 is a left view thereof.  
FIG. 6 is a right view thereof.  
FIG. 7 is a bottom view thereof; and,  
FIG. 8 is a top view thereof.  
The broken lines represent unclaimed portions of the design article. All of the broken lines forms no part of the claimed design.

**1 Claim, 8 Drawing Sheets**



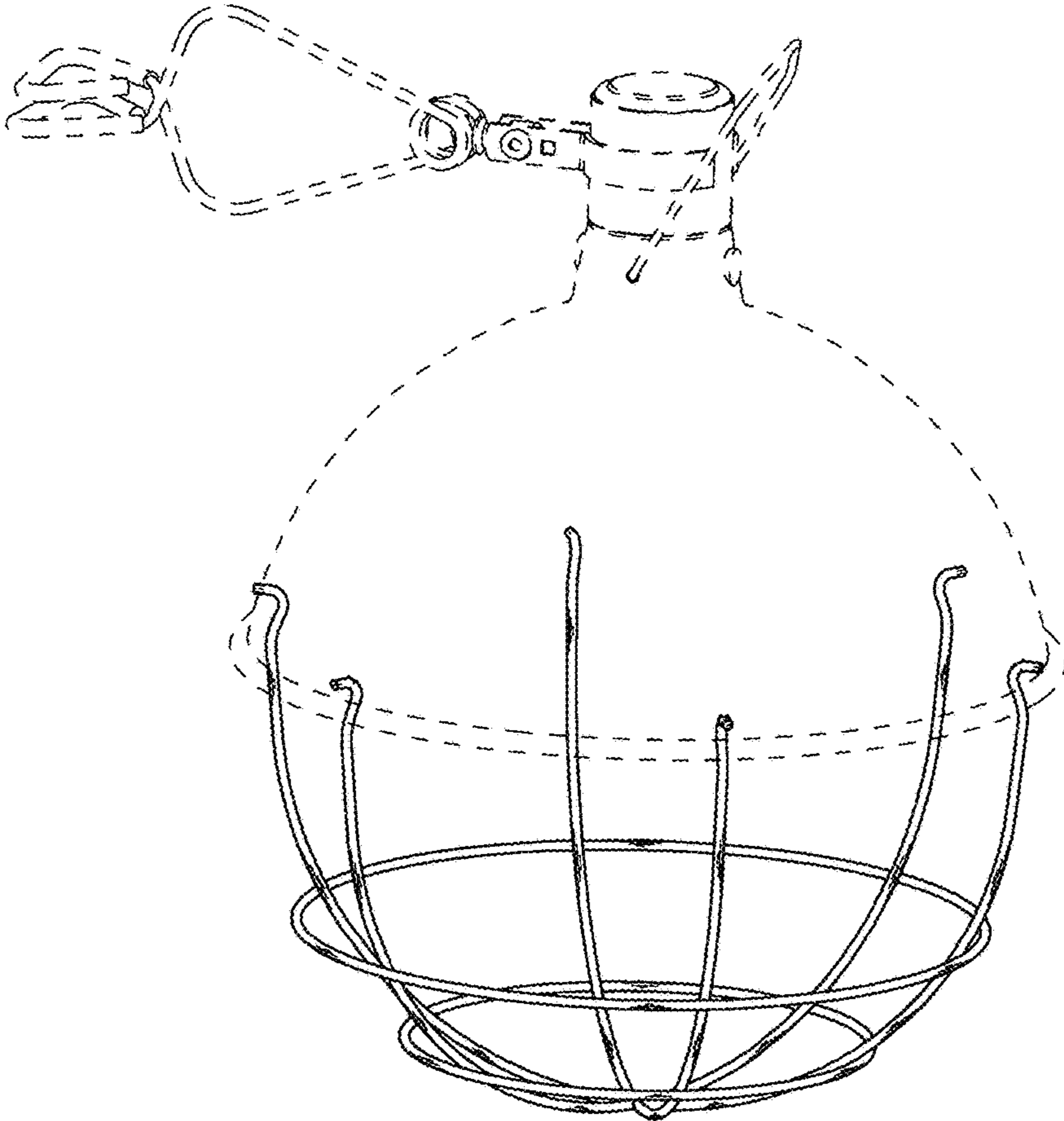


FIG.1

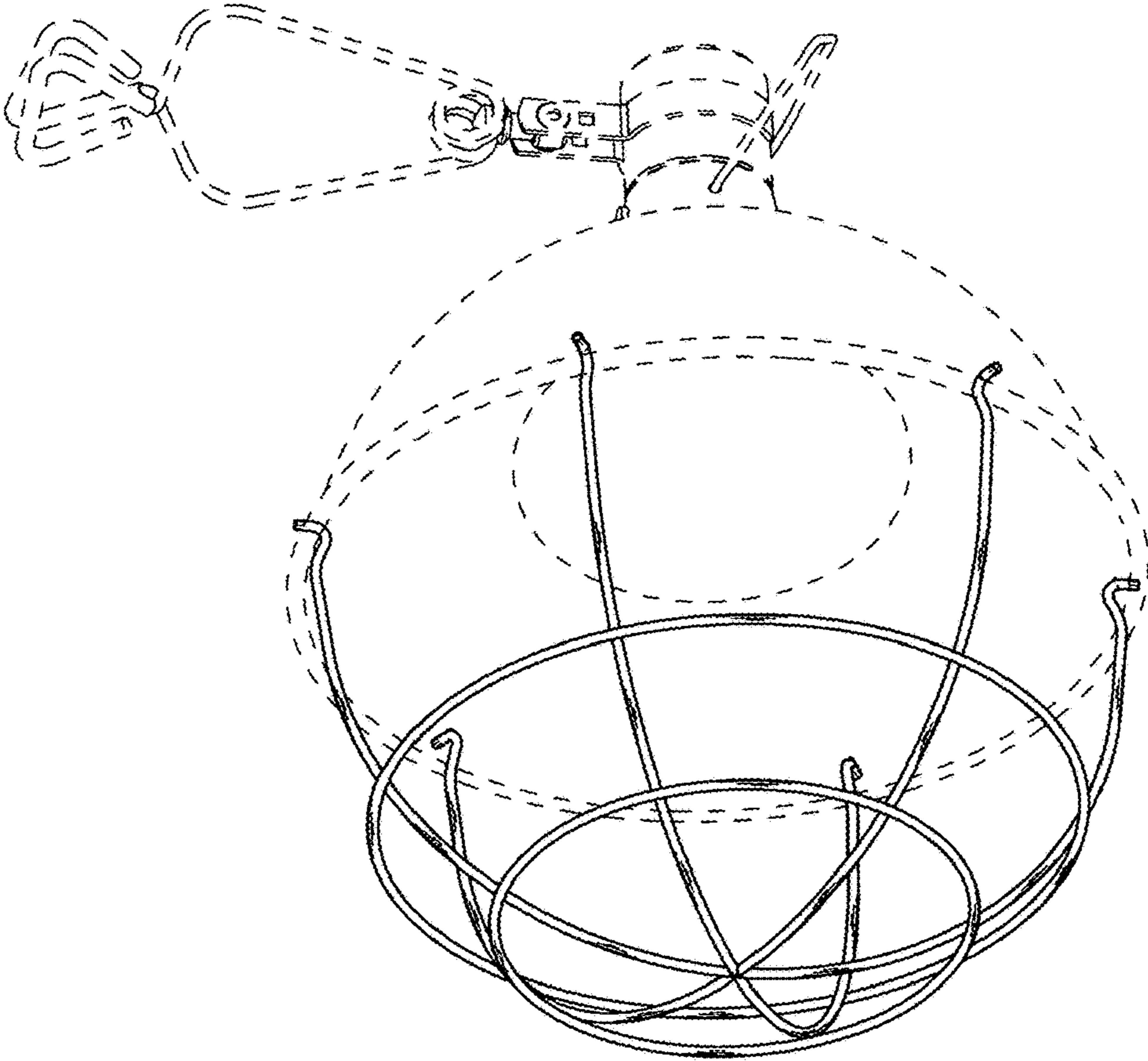


FIG.2

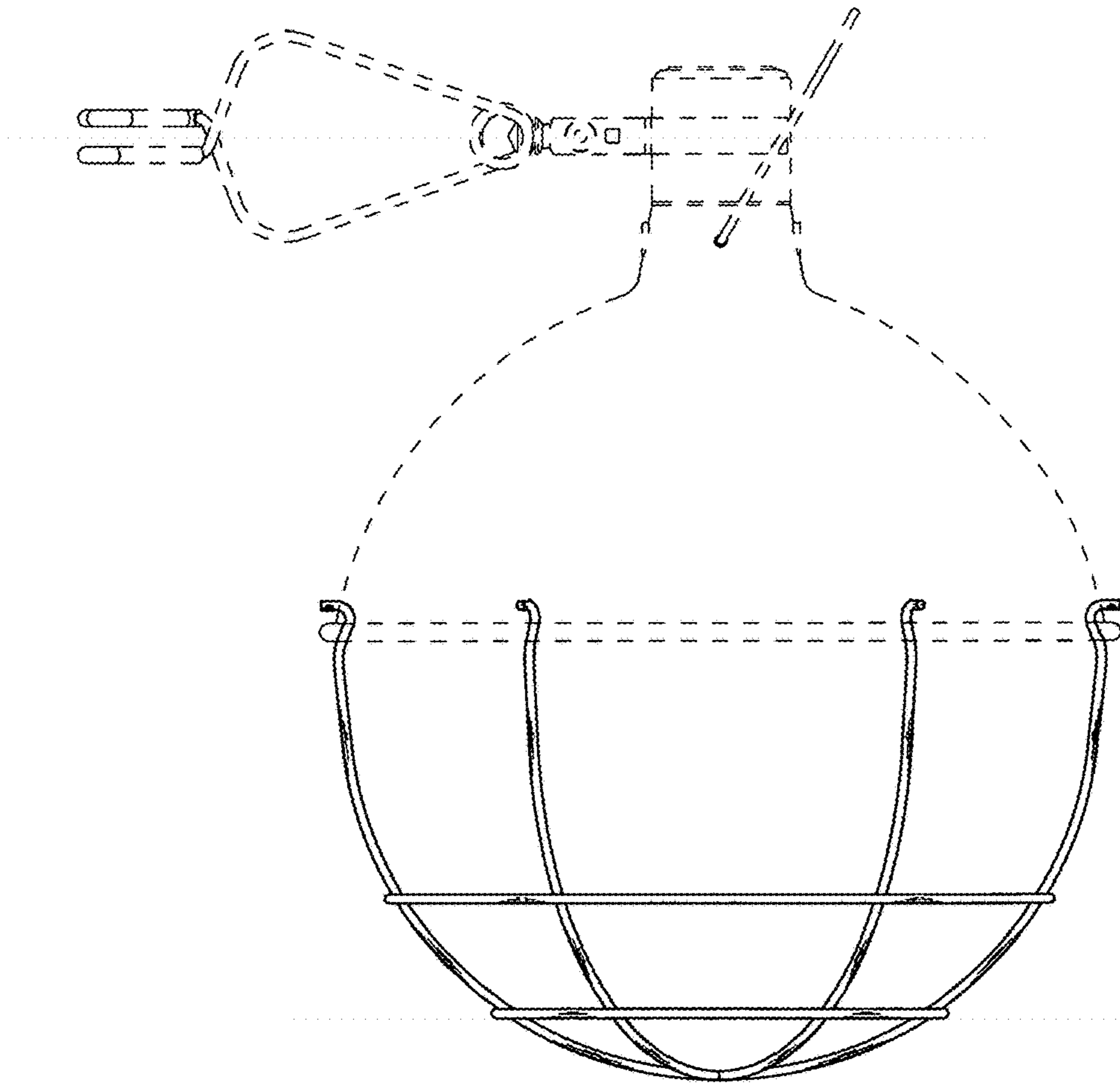


FIG.3

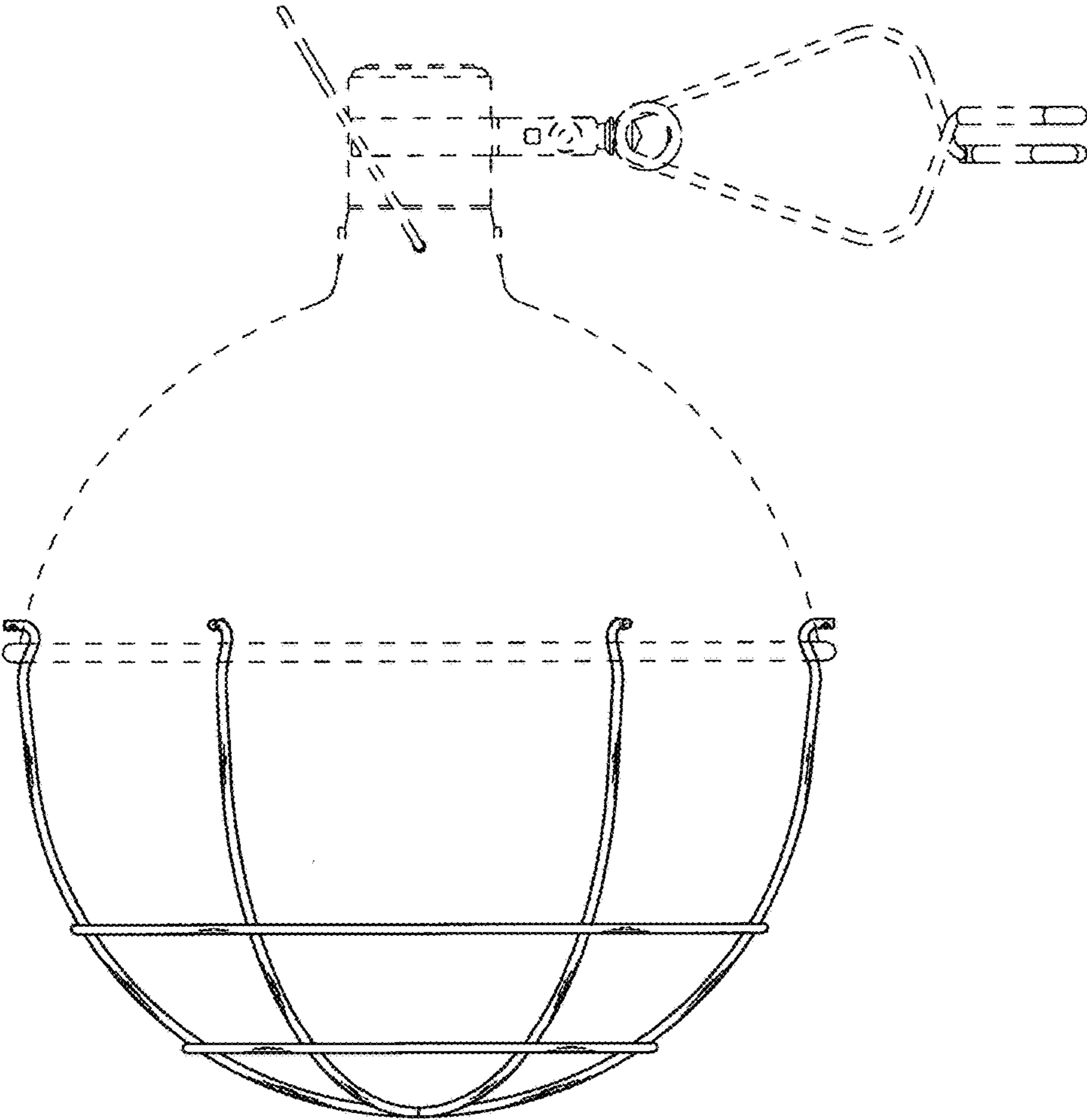


FIG.4

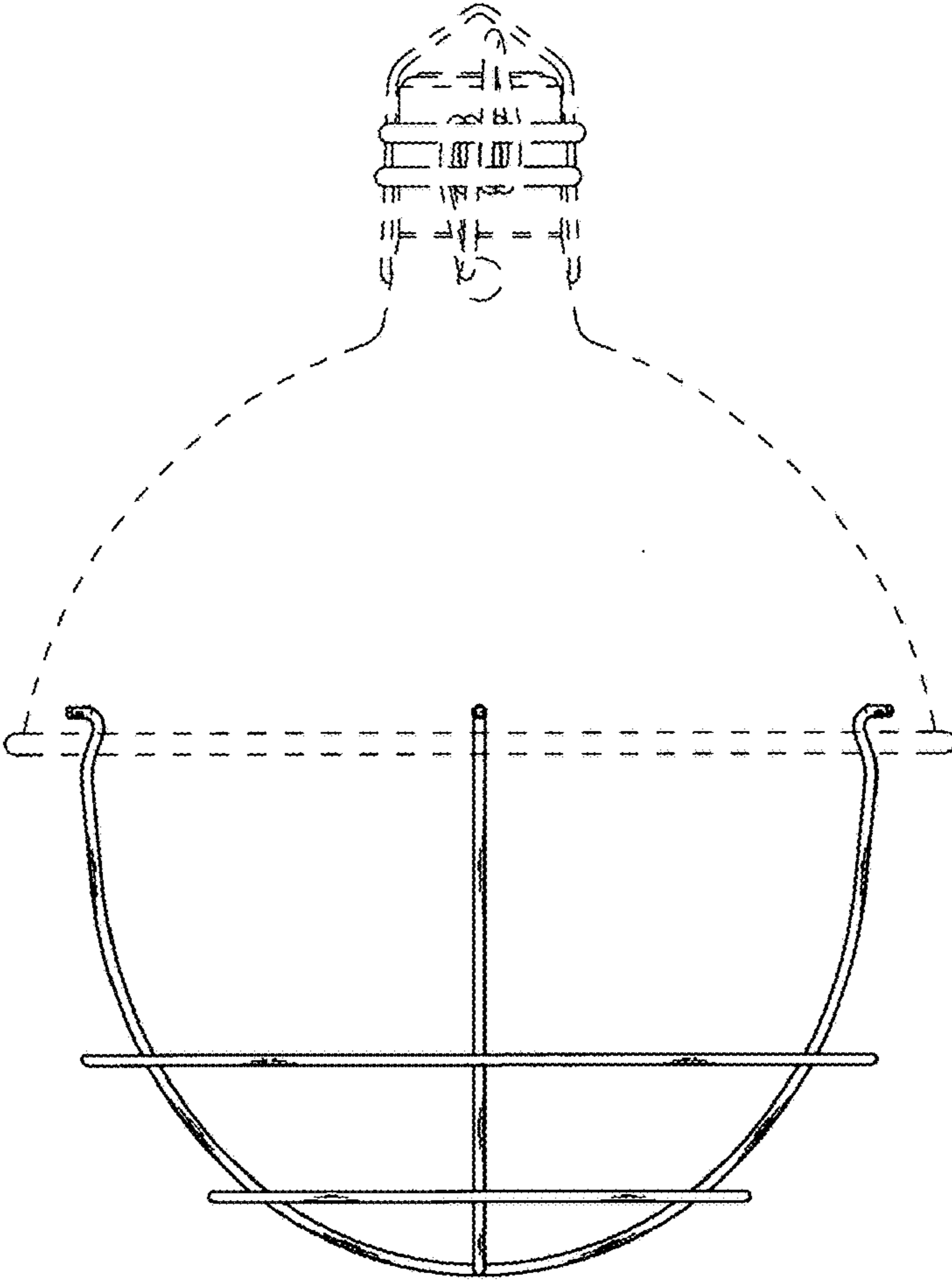


FIG.5

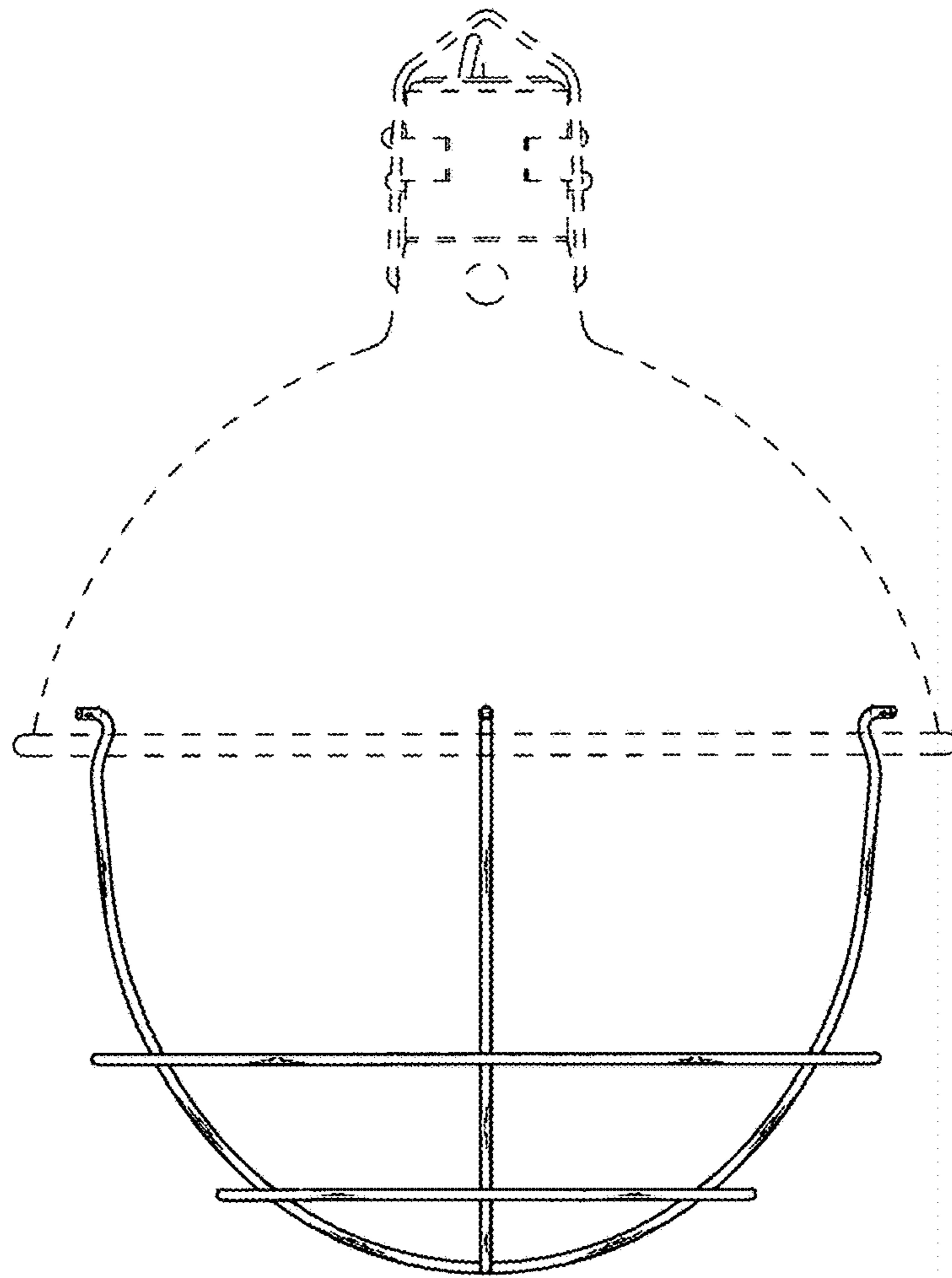


FIG.6

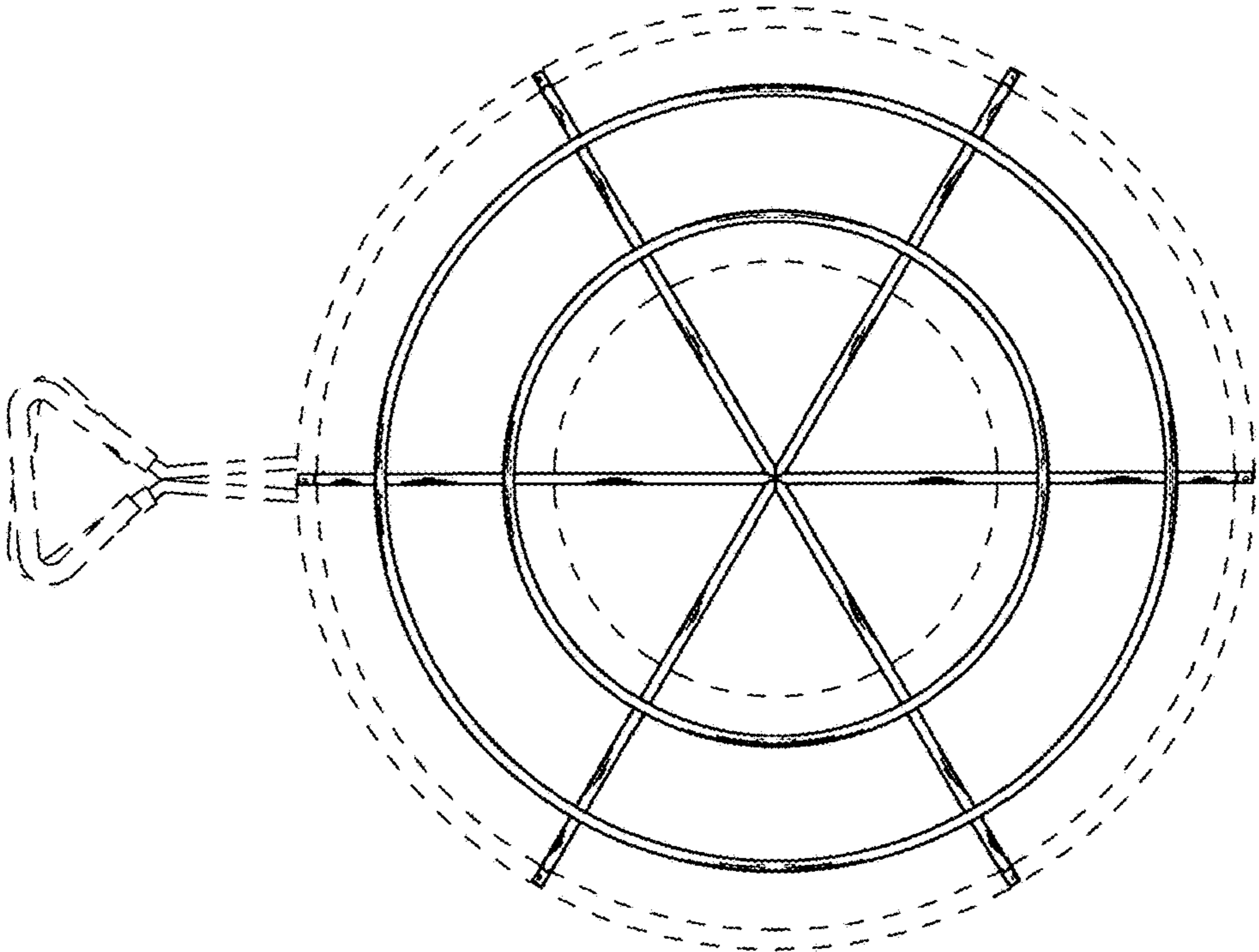


FIG.7



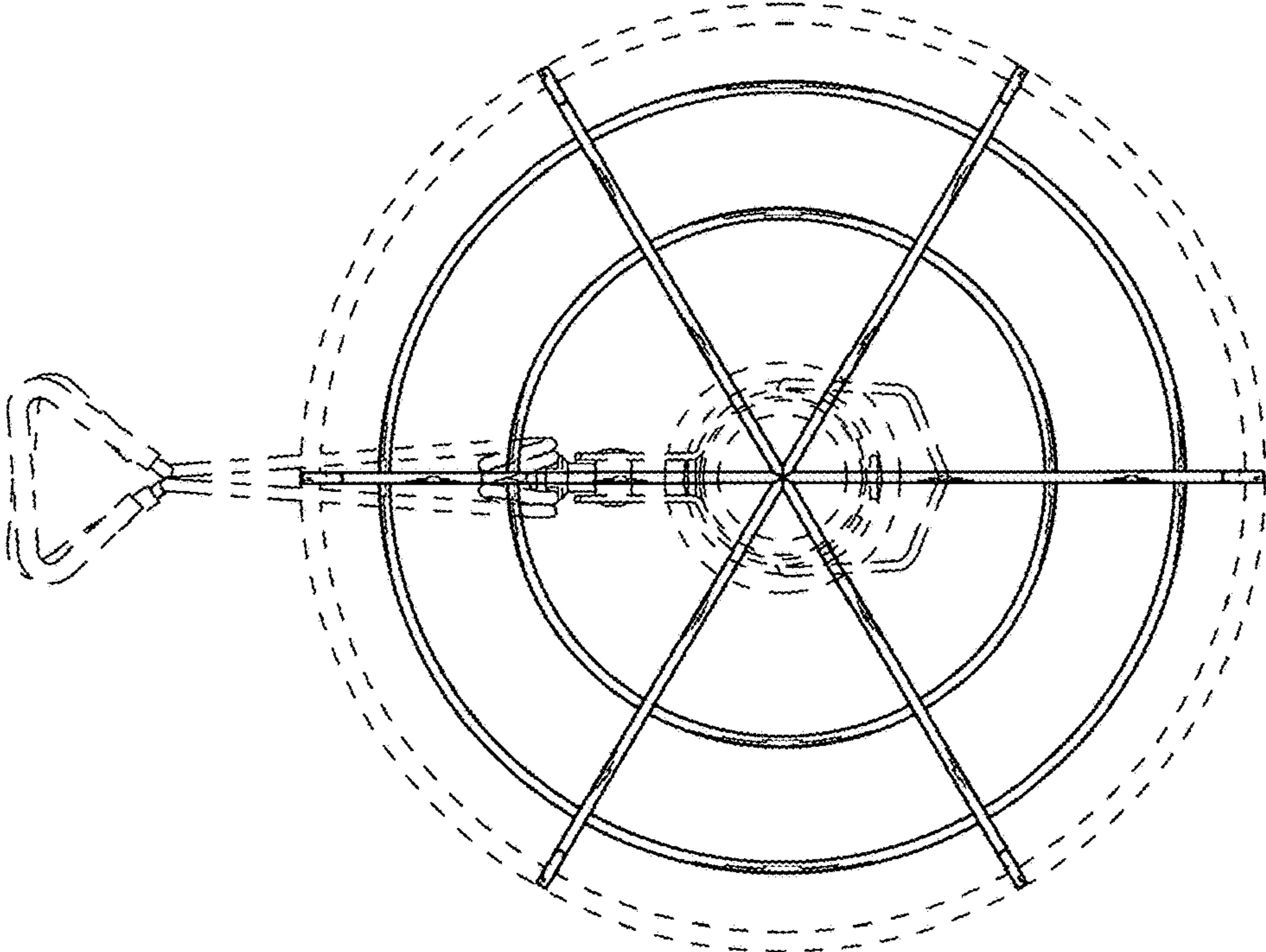


FIG.8