



US00D857976S

(12) **United States Design Patent** (10) **Patent No.:** **US D857,976 S**  
**Benner** (45) **Date of Patent:** **\*\* Aug. 27, 2019**

(54) **LIGHTING FIXTURE**

(71) Applicant: **McKeon Products, Inc.**, Warren, MI (US)

(72) Inventor: **Devin Benner**, Pleasant Ridge, MI (US)

(73) Assignee: **McKeon Products, Inc.**, Warren, MI (US)

(\*\*) Term: **15 Years**

(21) Appl. No.: **29/673,746**

(22) Filed: **Dec. 18, 2018**

**Related U.S. Application Data**

(62) Division of application No. 29/642,017, filed on Mar. 27, 2018, now Pat. No. Des. 840,584, which is a division of application No. 29/575,203, filed on Aug. 23, 2016, now Pat. No. Des. 816,888.

(51) **LOC (12) Cl.** ..... **26-99**

(52) **U.S. Cl.**  
USPC ..... **D26/113; D13/137.2; D13/134**

(58) **Field of Classification Search**  
USPC ..... D26/1, 2, 3, 24, 51, 113, 118, 138, 141; D13/137.1, 137.2, 139.1, 139.7, 199, 134, D13/137.4  
CPC ..... F41C 27/00; F41C 33/0254; G02B 5/045; G02B 5/189; F21S 8/00; F21S 8/03; F21S 8/026; F21S 8/02; F21S 8/003; F21S 8/043; F21S 8/06; F21S 8/04; F21V 7/005; F21V 15/01; F21V 15/04; F21V 25/00; G02F 2001/133607; F21Y 2103/00; H01R 33/94

See application file for complete search history.

(56) **References Cited**

U.S. PATENT DOCUMENTS

1,313,089	A *	8/1919	Ile .....	H01R 33/94 439/646
D163,522	S *	6/1951	Kernodle .....	D26/141
D500,573	S *	1/2005	Emory .....	D26/138
D583,761	S *	12/2008	Schenck .....	D13/134
D591,887	S *	5/2009	Tortel .....	D26/67
D597,486	S *	8/2009	Wu .....	D13/137.2
D599,290	S *	9/2009	Lee .....	D13/137.2
D613,432	S *	4/2010	Chen .....	D26/2
D689,630	S *	9/2013	McGuire .....	D26/2
D735,375	S *	7/2015	Wang .....	D26/2
D745,710	S *	12/2015	Katsaros .....	D26/2
D753,851	S *	4/2016	Denninger .....	D26/2
D756,544	S *	5/2016	Xiao .....	D26/2
D759,269	S *	6/2016	Lai .....	D26/2
D789,890	S *	6/2017	Lai .....	D13/134

\* cited by examiner

*Primary Examiner* — Brian N. Vinson

(74) *Attorney, Agent, or Firm* — Honigman LLP

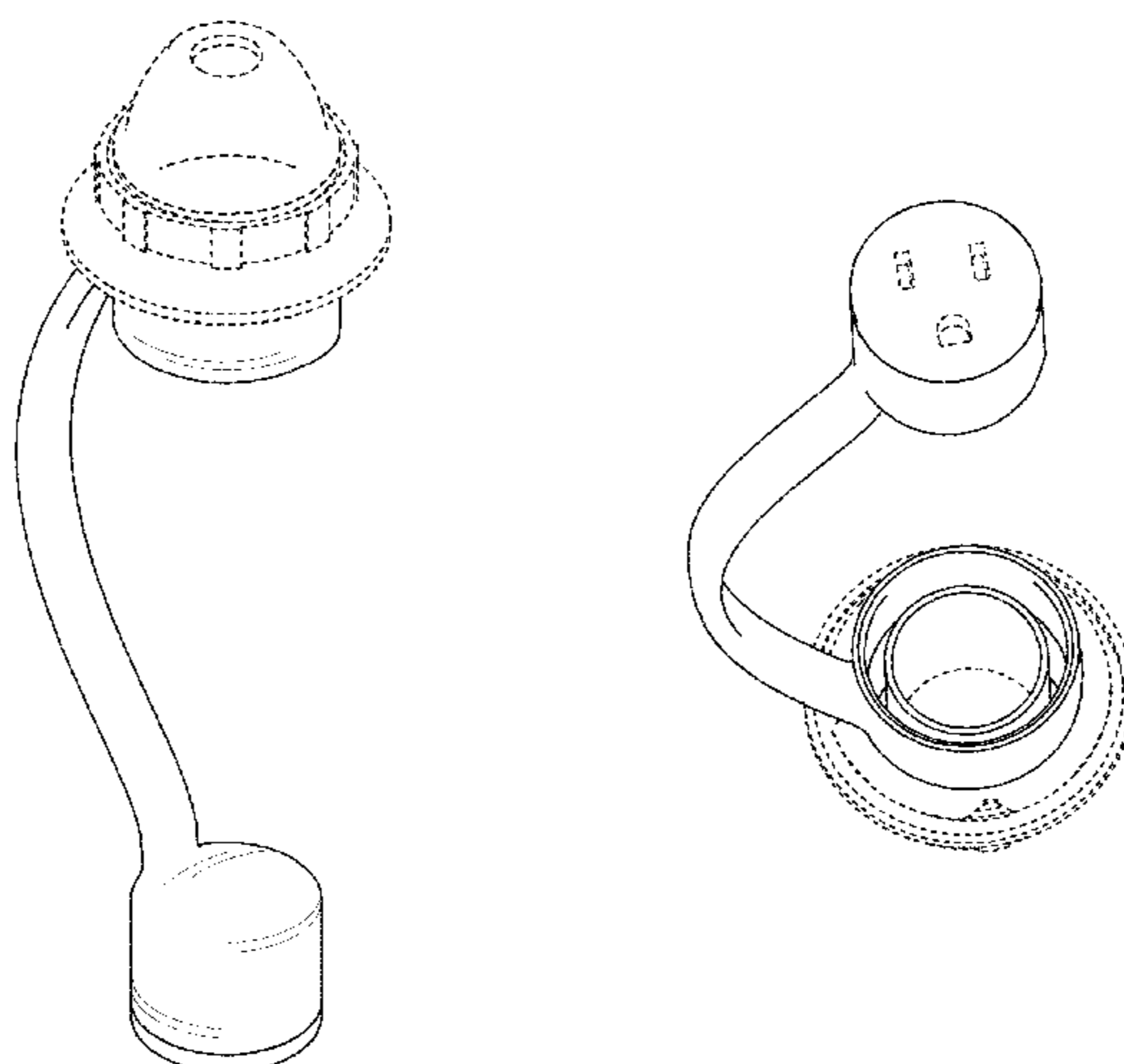
(57) **CLAIM**

The ornamental design for a lighting fixture, as shown and described.

**DESCRIPTION**

FIG. 1 is a front-top perspective view of a lighting fixture, showing my new design;  
FIG. 2 is a bottom-rear perspective view thereof;  
FIG. 3 is a front view thereof;  
FIG. 4 is a rear view thereof;  
FIG. 5 is a top plan view thereof  
FIG. 6 is a bottom plan view thereof;  
FIG. 7 is a left side view thereof; and,  
FIG. 8 is a right side view thereof.  
The dashed lines in the drawing views depict portions of the design that form no part of the claim.

**1 Claim, 8 Drawing Sheets**



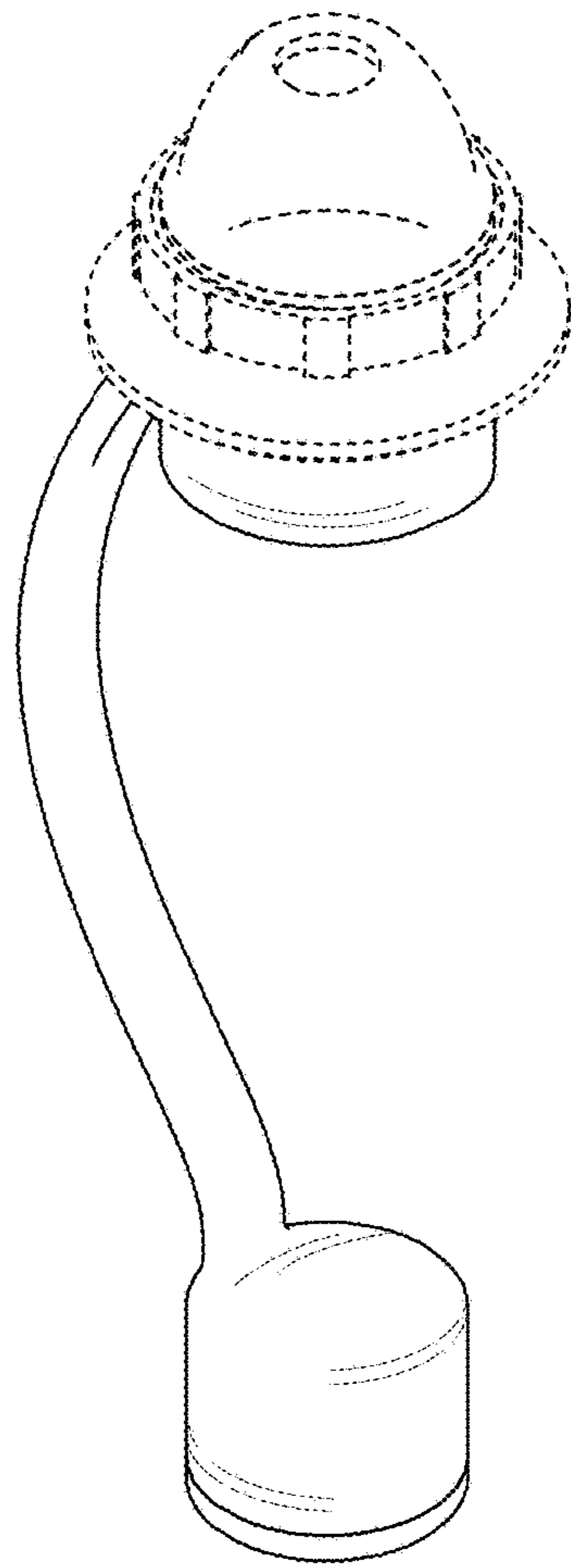


FIG. 1

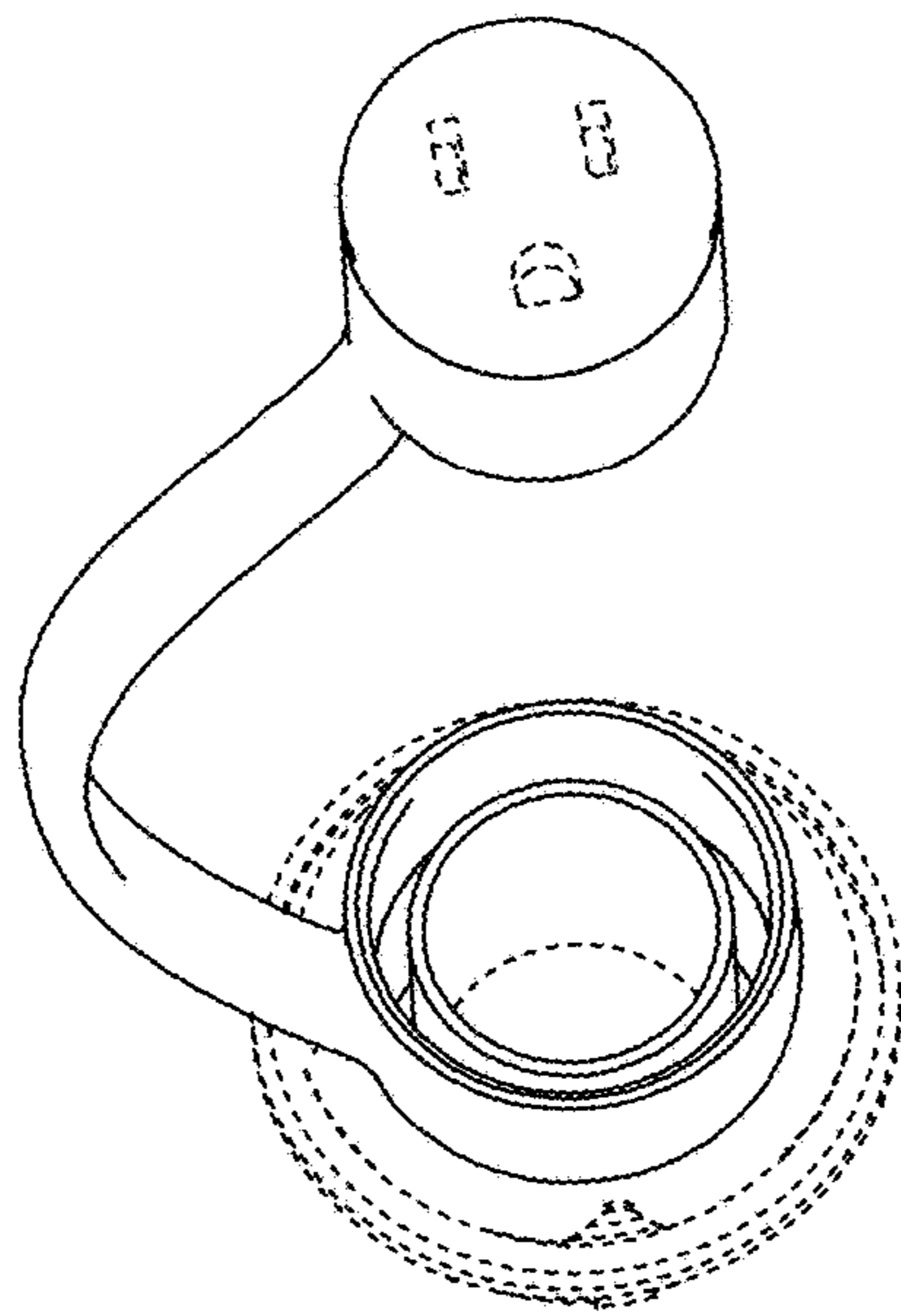


FIG. 2

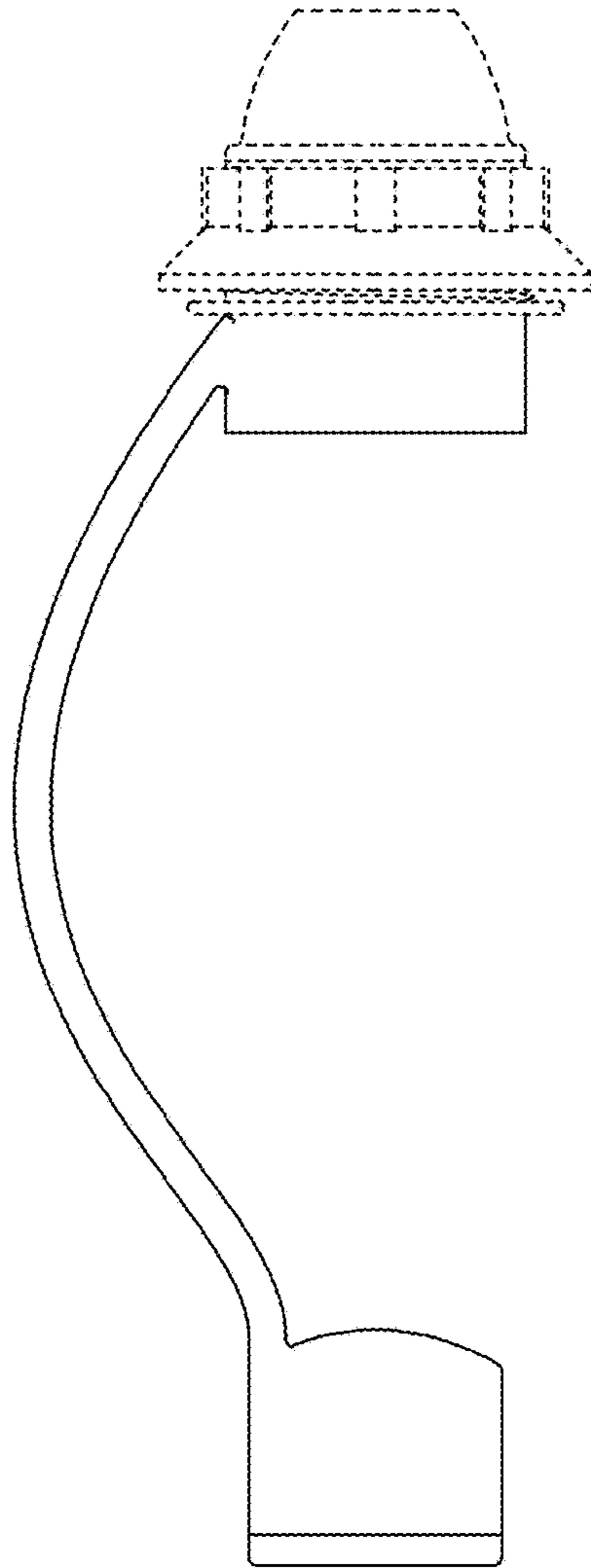


FIG. 3

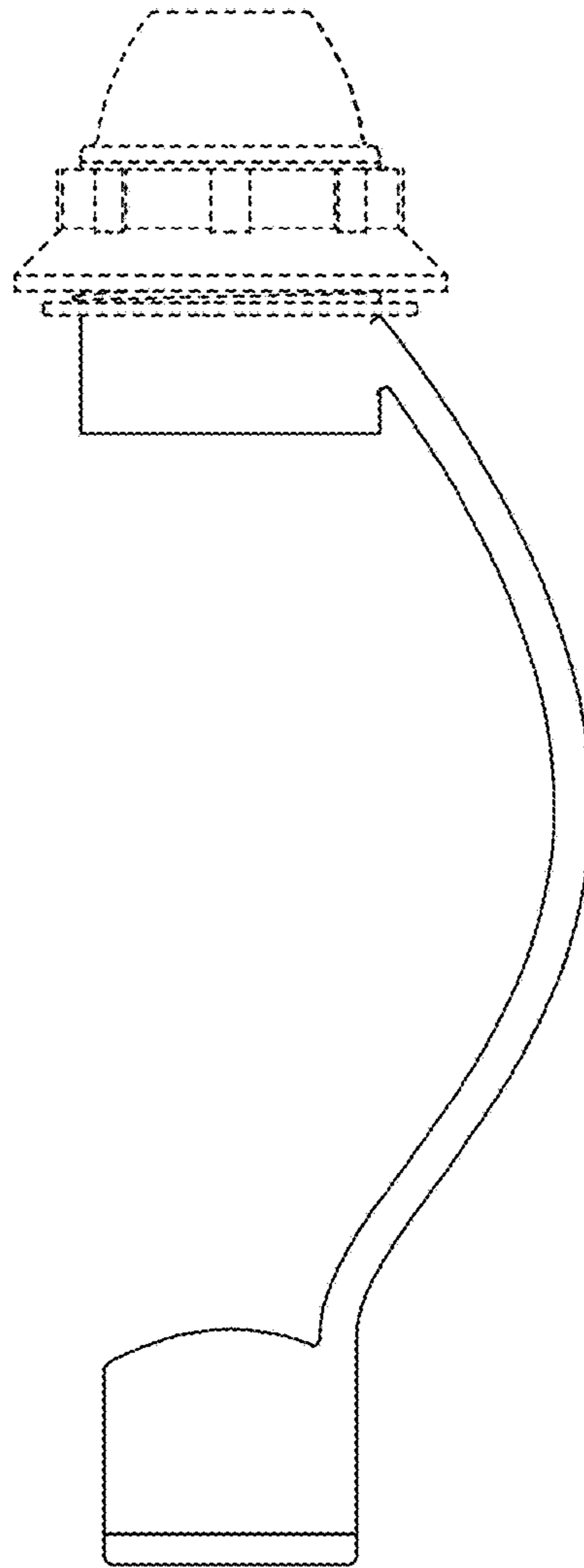


FIG. 4

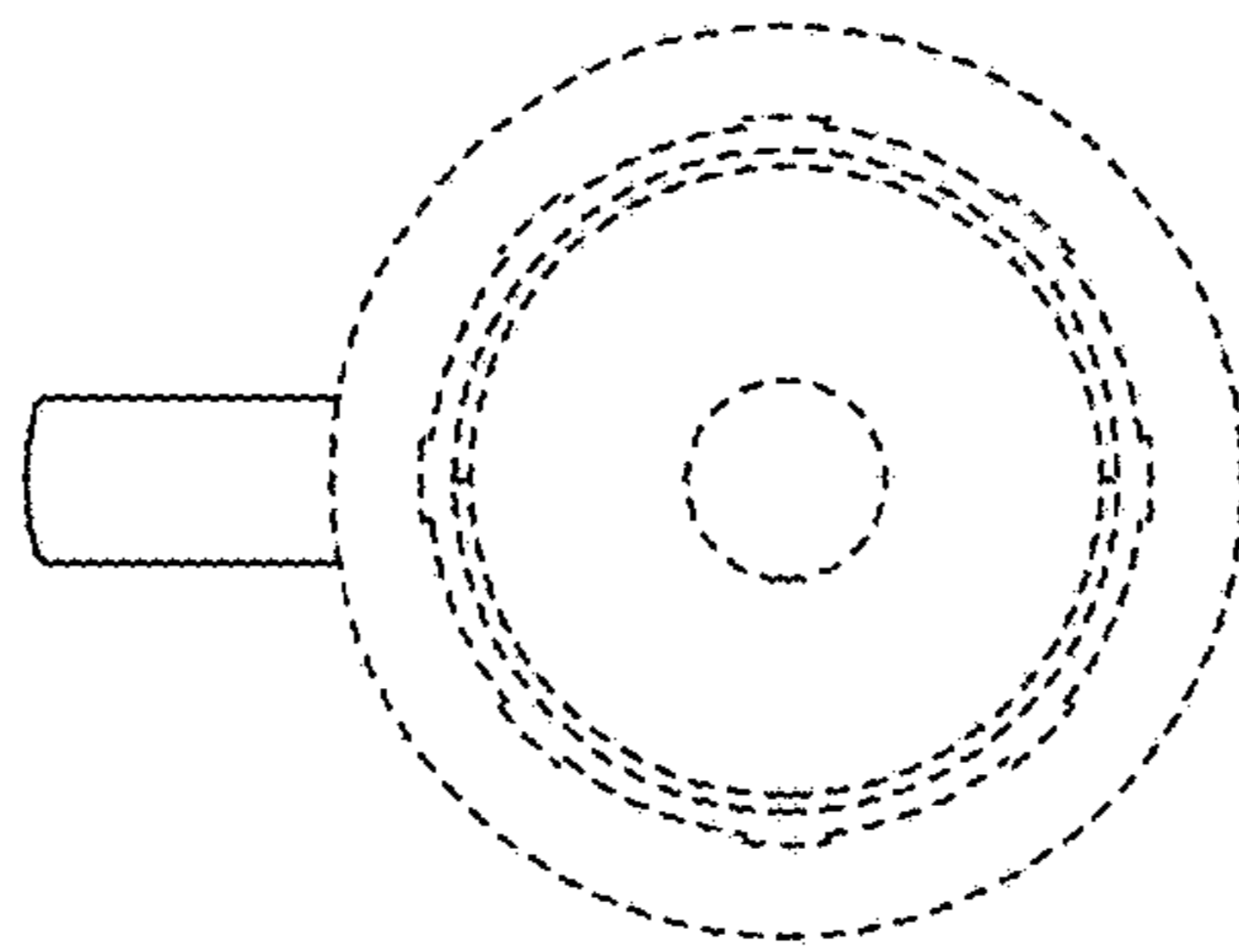


FIG. 5

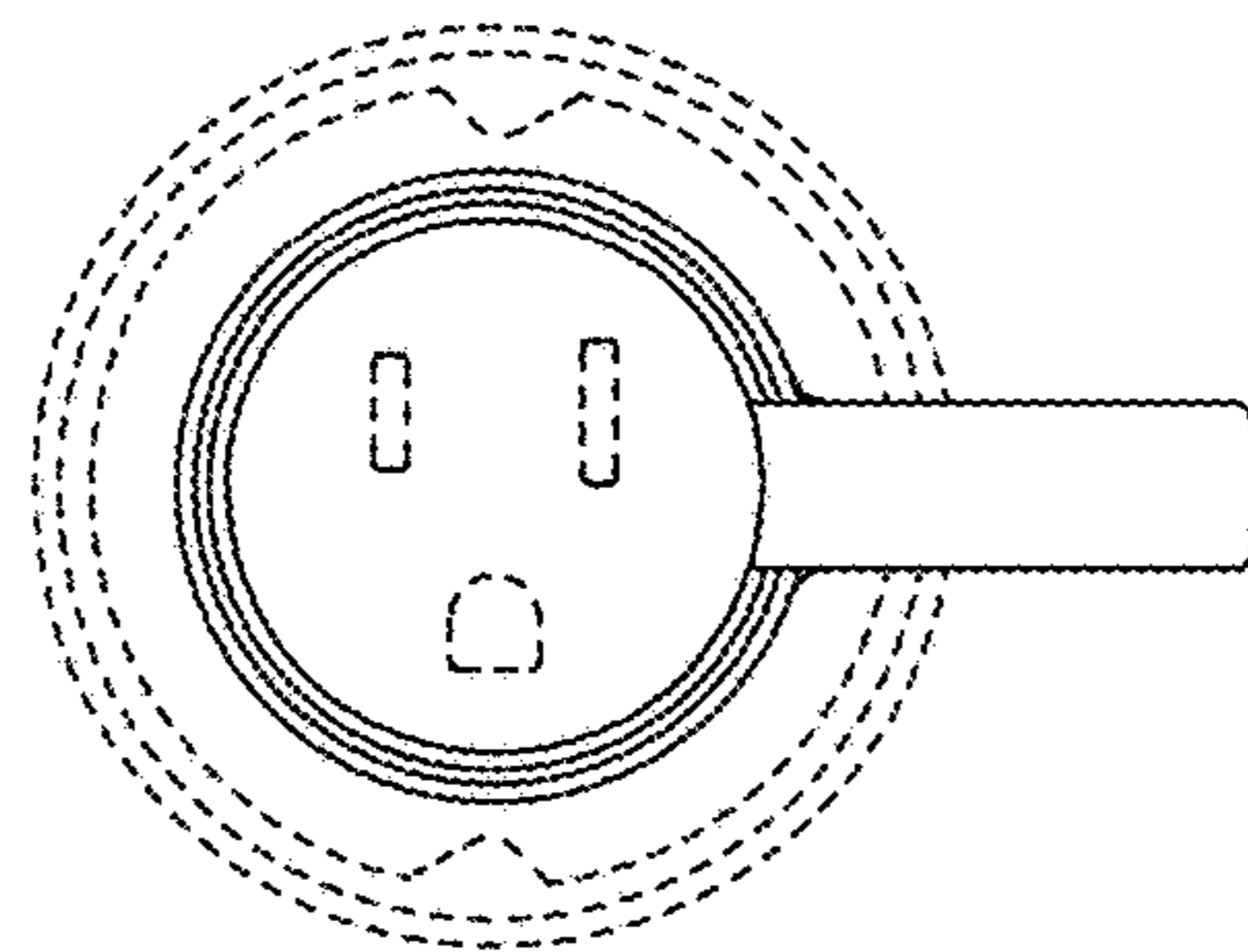


FIG. 6

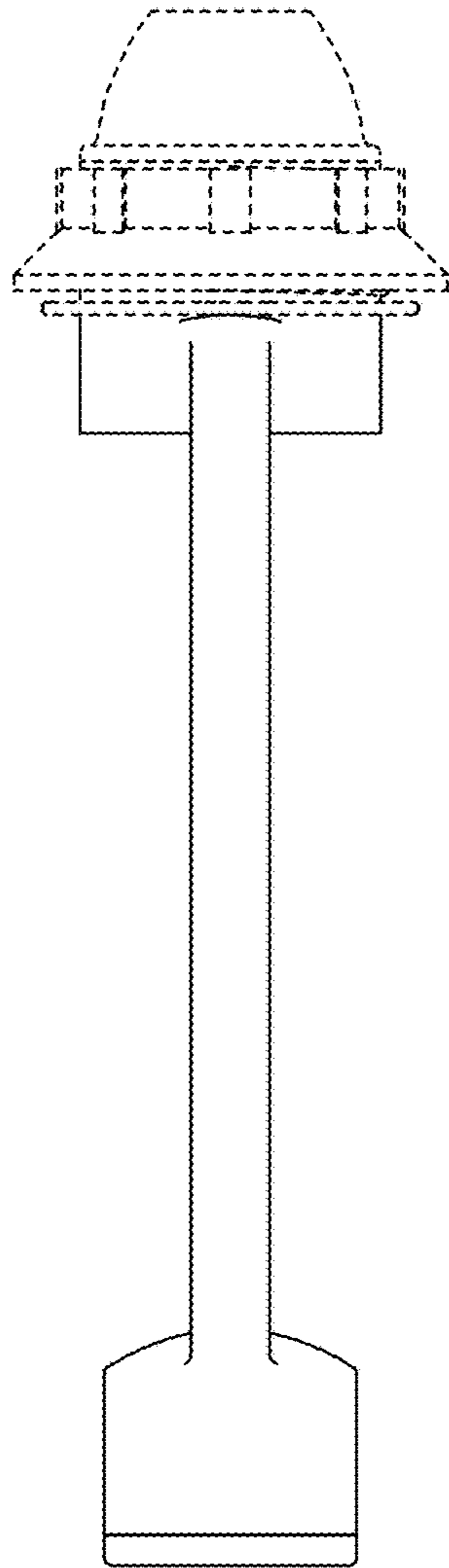


FIG. 7



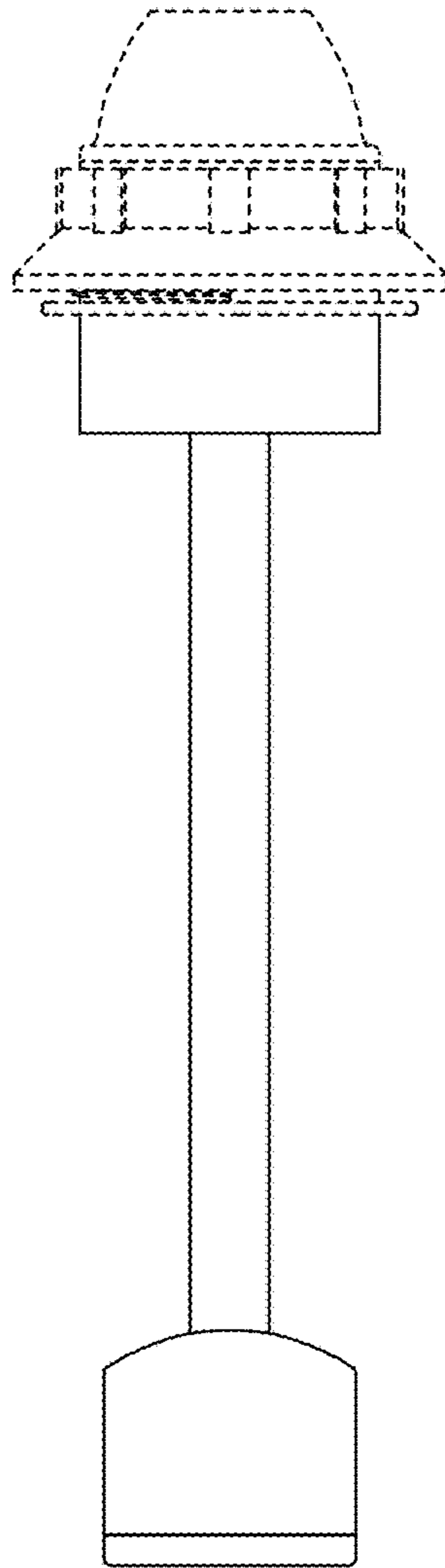


FIG. 8