

US00D857975S

(12) **United States Design Patent**  
**Bien**

(10) **Patent No.:** **US D857,975 S**

(45) **Date of Patent:** **\*\* Aug. 27, 2019**

(54) **LIGHTED PILING CAP**

(71) Applicant: **Franklin Bien**, Englewood, FL (US)

(72) Inventor: **Franklin Bien**, Englewood, FL (US)

(\*\*) Term: **15 Years**

(21) Appl. No.: **29/640,209**

(22) Filed: **Mar. 12, 2018**

(51) **LOC (12) Cl.** ..... **26-99**

(52) **U.S. Cl.**  
USPC ..... **D26/113**

(58) **Field of Classification Search**  
USPC ..... D26/113, 118, 119, 120, 128, 135, 145,  
D26/155, 154

(Continued)

(56) **References Cited**

U.S. PATENT DOCUMENTS

D348,953 S \* 7/1994 Shwisha ..... D26/135  
6,138,422 A \* 10/2000 Wall ..... E04H 12/2292  
52/300

(Continued)

*Primary Examiner* — Zenia I Bennett

(74) *Attorney, Agent, or Firm* — Daniel S. Polley, P.A.

(57) **CLAIM**

The ornamental design for a lighted piling cap, as shown and described.

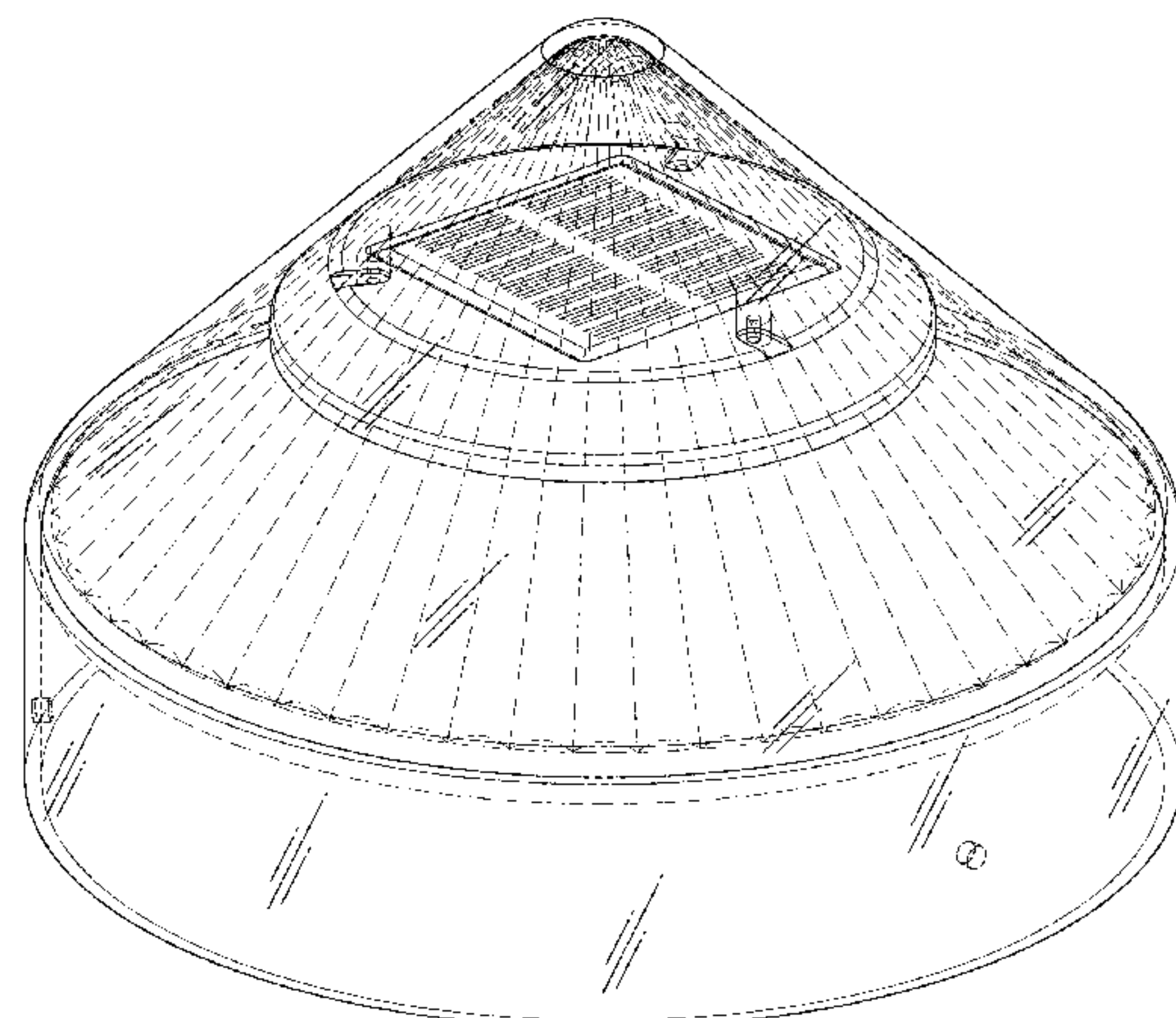
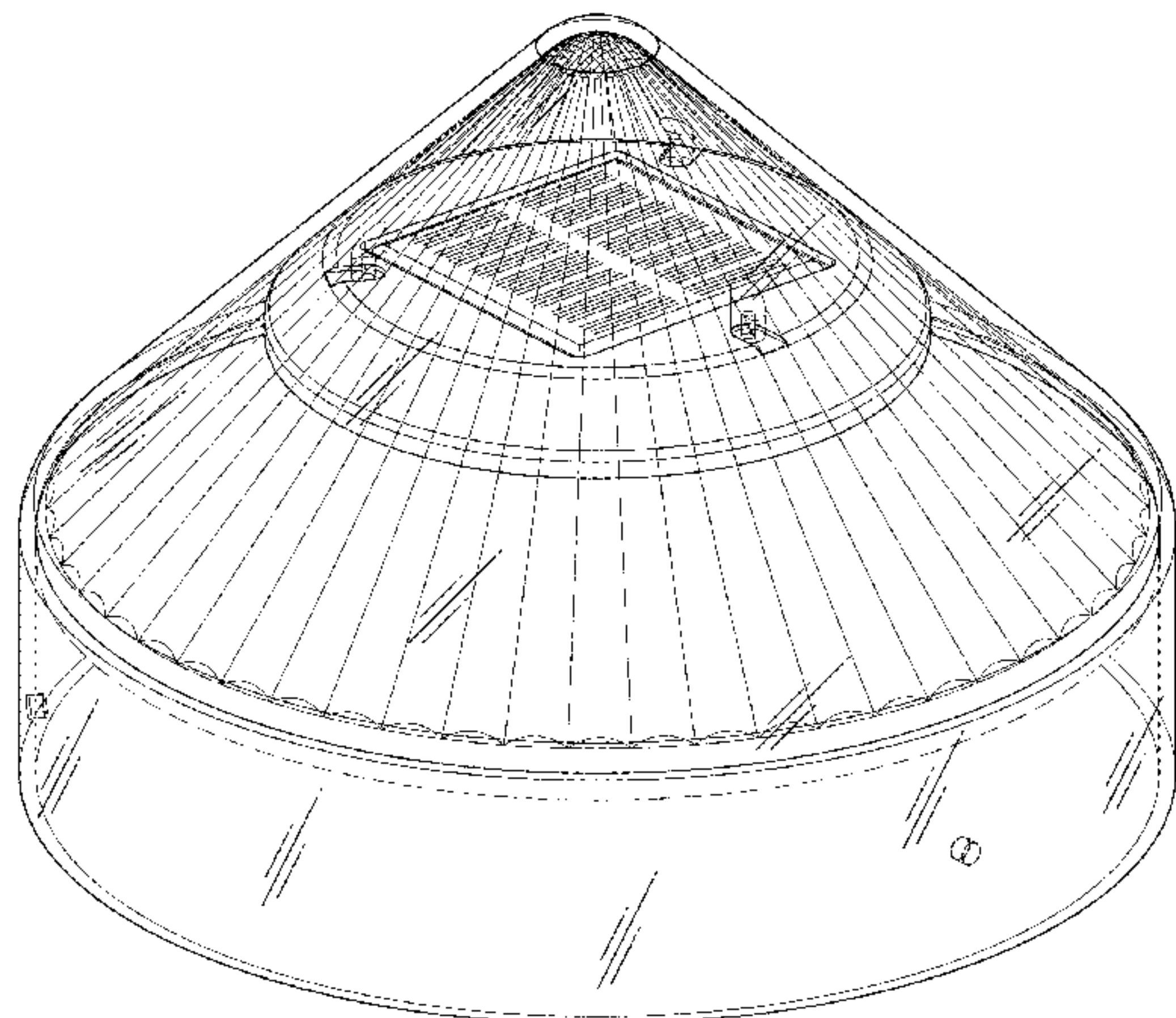
**DESCRIPTION**

FIG. 1 is a top perspective view of the lighted piling cap, showing a first embodiment of the new design;  
FIG. 2 is a bottom perspective view thereof;  
FIG. 3 is a top view thereof;  
FIG. 4 is a bottom view thereof;  
FIG. 5 is a left side view thereof;  
FIG. 6 is a right side view thereof;

FIG. 7 is a front view thereof;  
FIG. 8 is a back view thereof;  
FIG. 9 is a bottom view thereof with bottom flooring removed;  
FIG. 10 is a bottom perspective view thereof with bottom flooring removed and also showing bottom flooring in perspective;  
FIG. 11 is a top perspective view of the lighted piling cap, showing a second embodiment of the new design;  
FIG. 12 is a bottom perspective view thereof;  
FIG. 13 is a top view thereof;  
FIG. 14 is a bottom view thereof;  
FIG. 15 is a left side view thereof;  
FIG. 16 is a right side view thereof;  
FIG. 17 is a front view thereof;  
FIG. 18 is a back view thereof;  
FIG. 19 is a bottom view thereof with bottom flooring removed;  
FIG. 20 is a bottom perspective view thereof with bottom flooring removed and also showing bottom flooring in perspective;  
FIG. 21 is a top perspective view of the lighted piling cap, showing a third embodiment of the new design;  
FIG. 22 is a bottom perspective view thereof;  
FIG. 23 is a top view thereof;  
FIG. 24 is a bottom view thereof;  
FIG. 25 is a left side view thereof;  
FIG. 26 is a right side view thereof;  
FIG. 27 is a front view thereof;  
FIG. 28 is a back view thereof;  
FIG. 29 is a bottom view thereof with bottom flooring removed;  
FIG. 30 is a bottom perspective view thereof with bottom flooring removed and also shown in perspective;  
FIG. 31 is another bottom view which is applicable to all of the embodiments; and,  
FIG. 32 is a perspective view showing the lighted piling cap in use.

The broken lines shown in the drawings represent portions of the lighted piling cap that form no part of the claimed design, or the environment of use for the claimed design.

**1 Claim, 32 Drawing Sheets**



(58) **Field of Classification Search**

CPC .... F21Y 2103/00; F21V 15/01; F21V 15/015;  
F21V 17/08; F21V 21/12; F21K 9/175

See application file for complete search history.

(56) **References Cited**

U.S. PATENT DOCUMENTS

D624,232 S *	9/2010	Summers .....	F21L 4/005 D26/113
D671,259 S *	11/2012	Chen .....	D26/135
D672,490 S *	12/2012	Connolly .....	D26/68
D691,313 S *	10/2013	Beausoleil .....	D26/68
D692,171 S *	10/2013	Randolph .....	D26/67
D715,987 S *	10/2014	Pugh .....	D26/113
2005/0094395 A1 *	5/2005	Rosenberg .....	F21L 4/027 362/249.01

\* cited by examiner



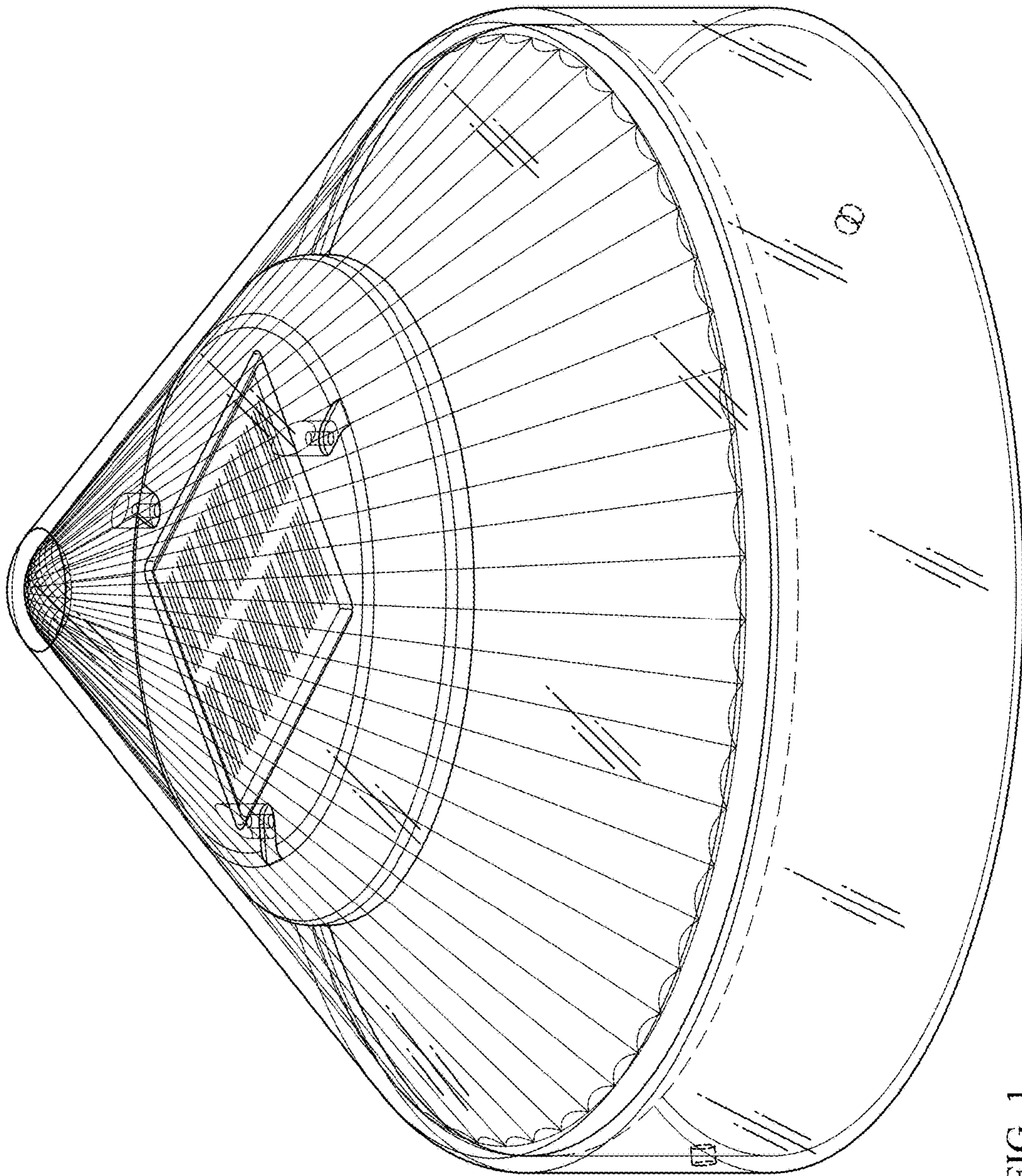


FIG. 1

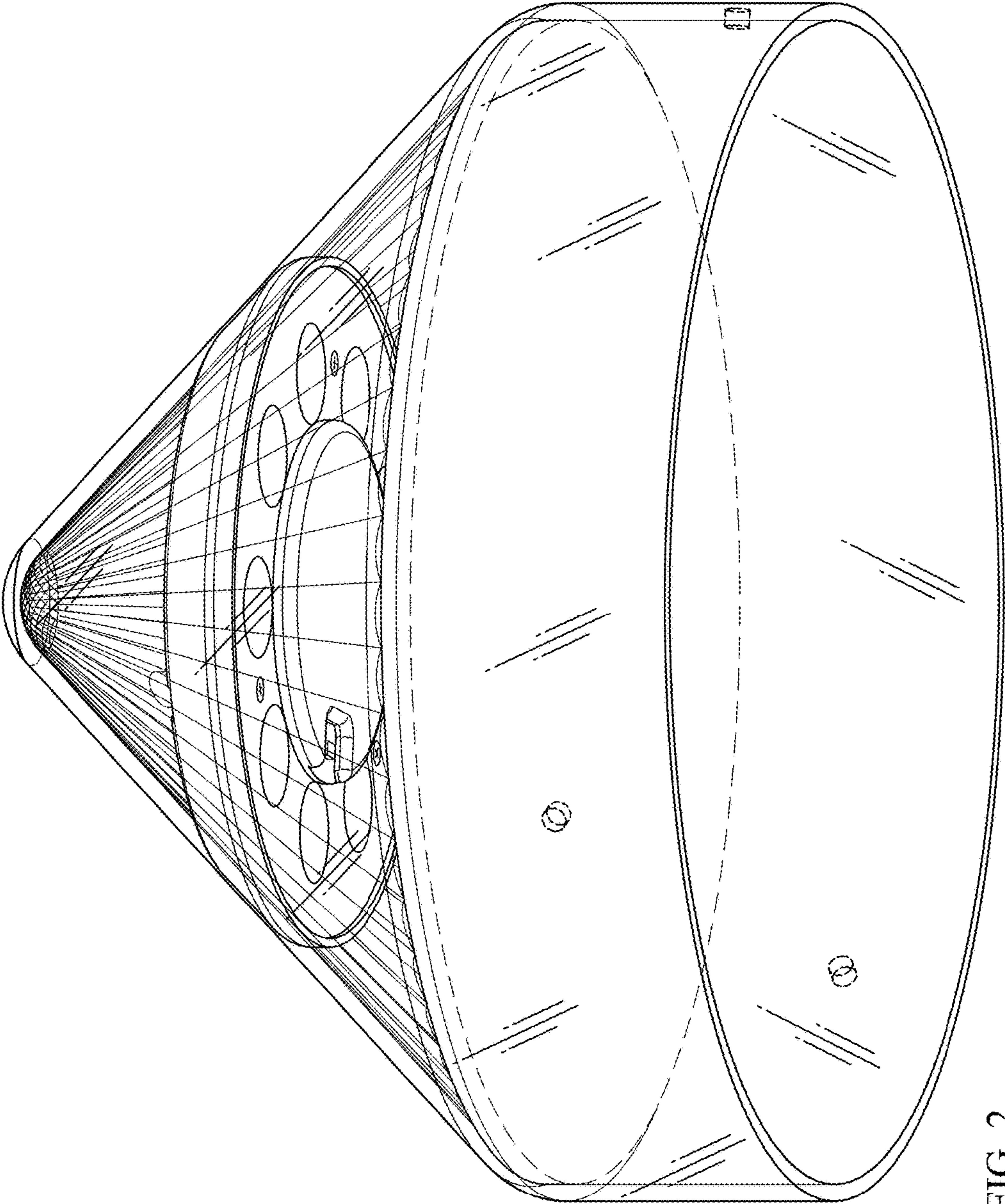


FIG. 2



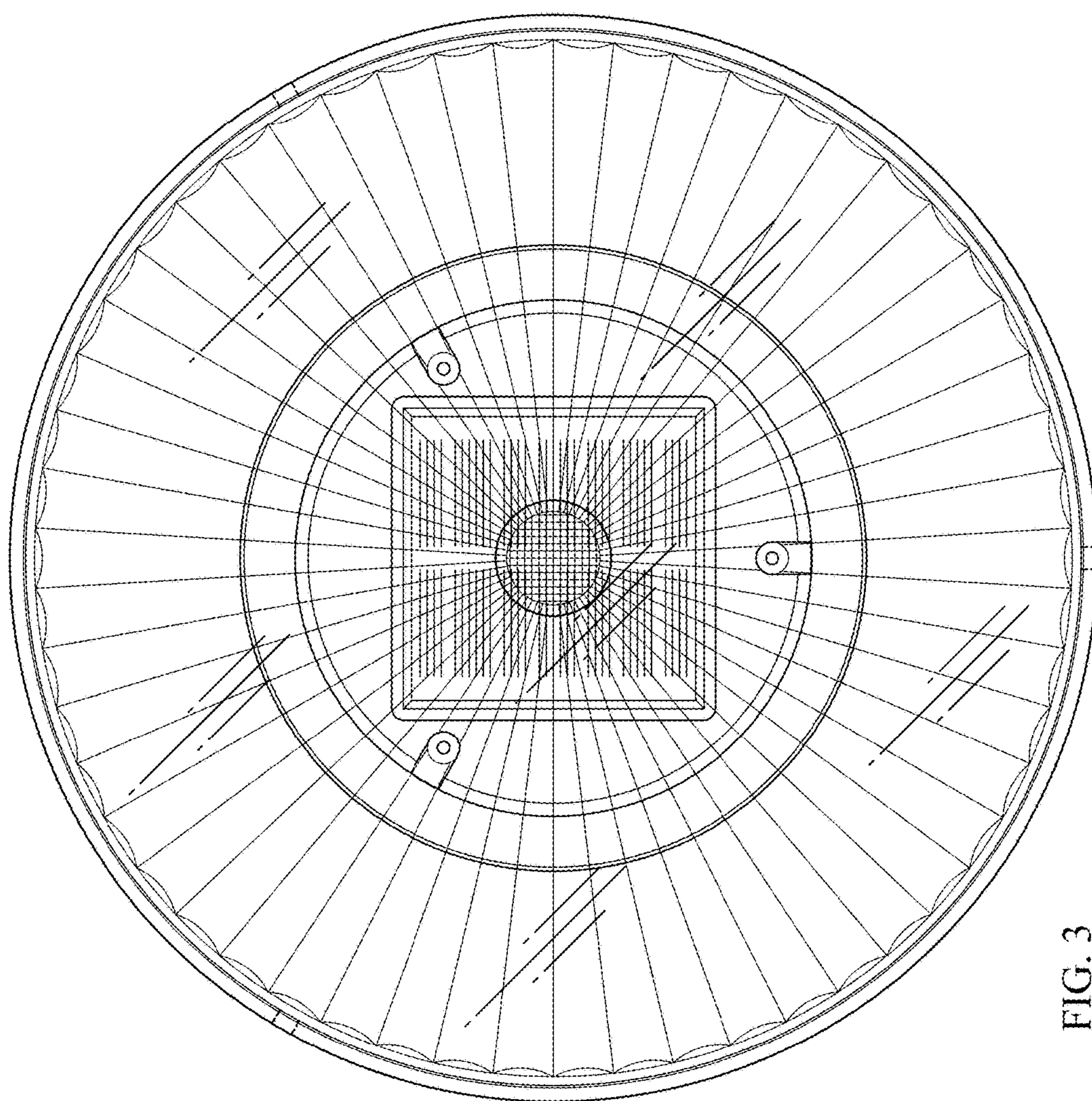


FIG. 3

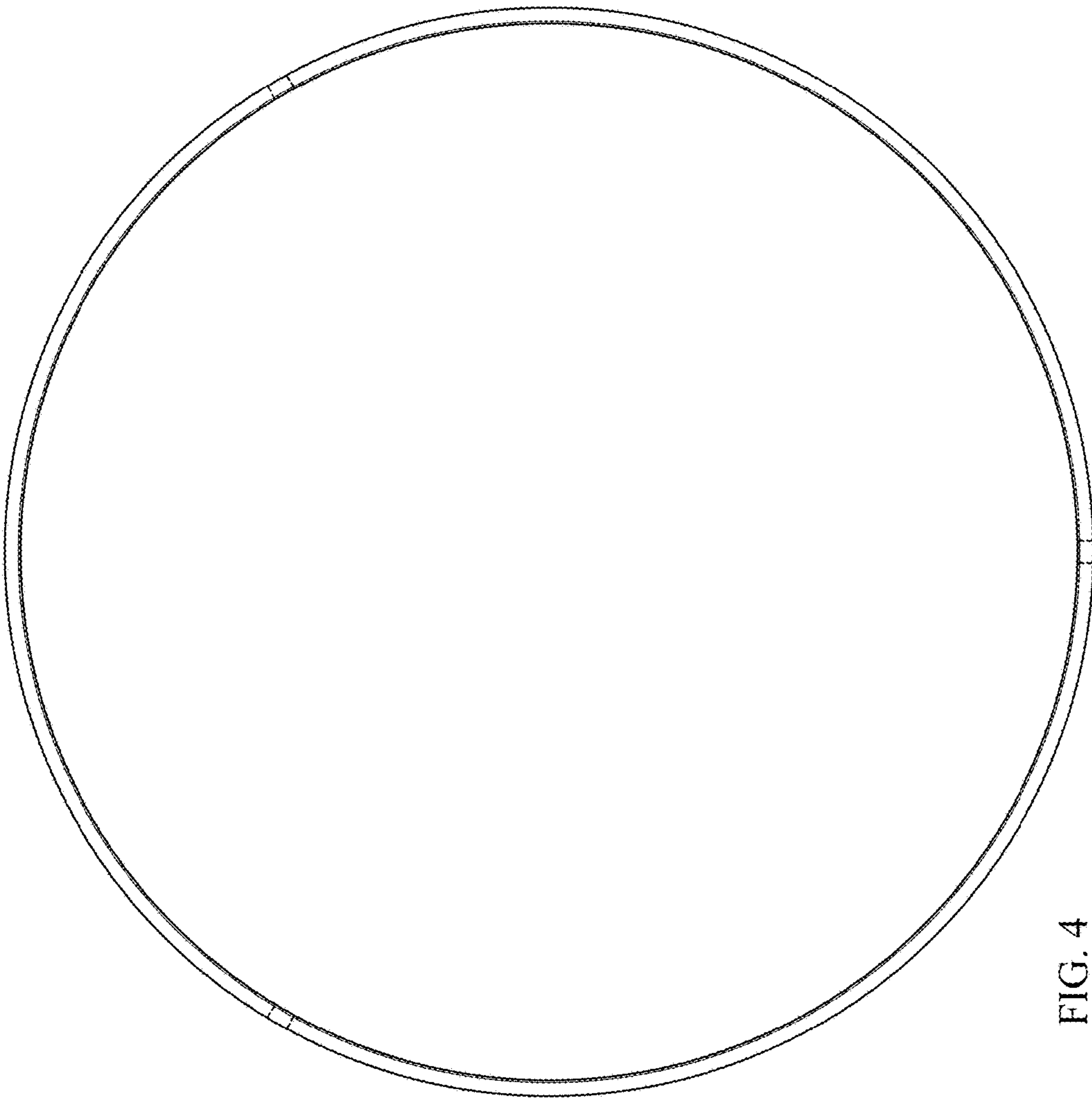


FIG. 4

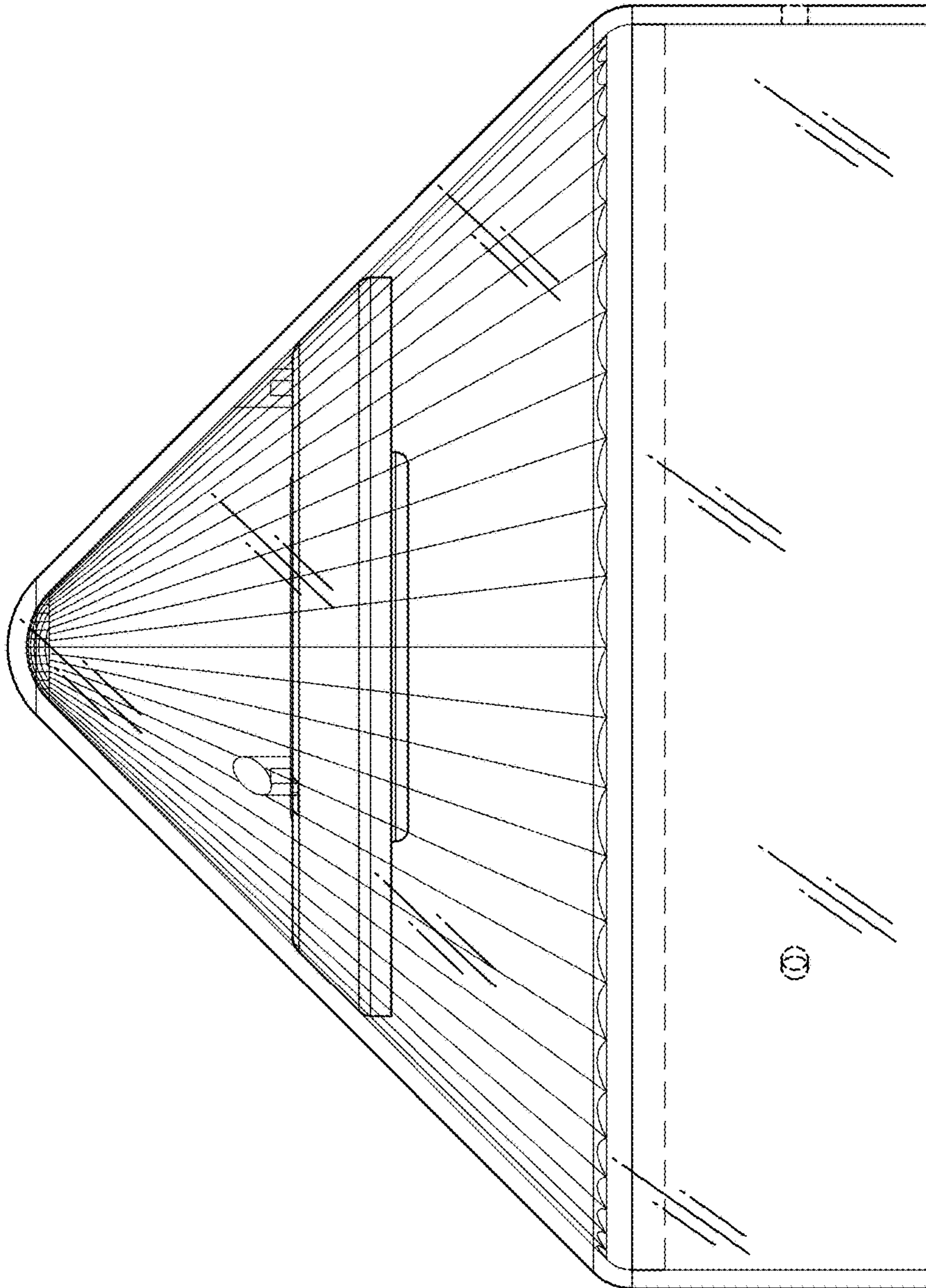


FIG. 5



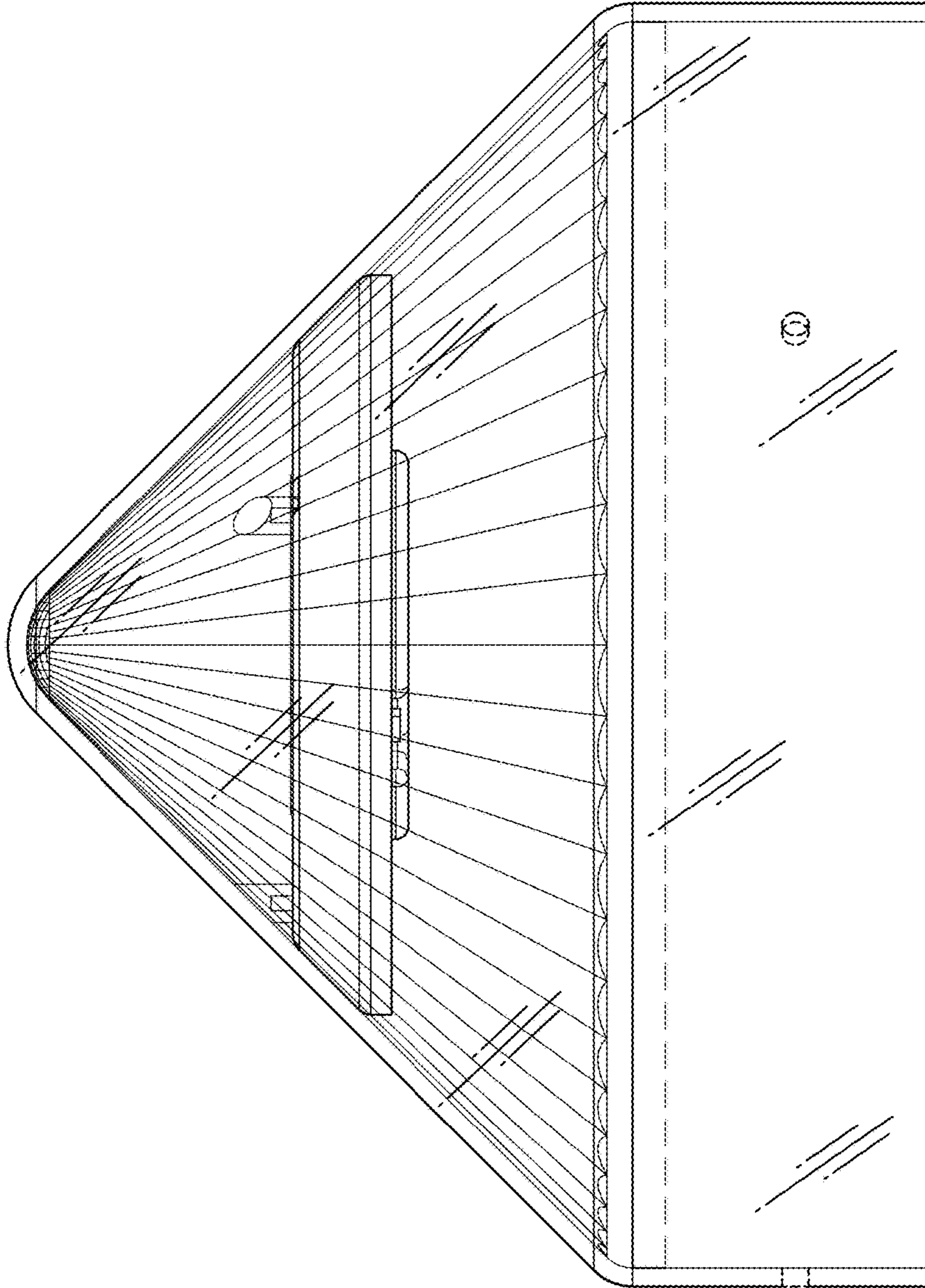


FIG. 6



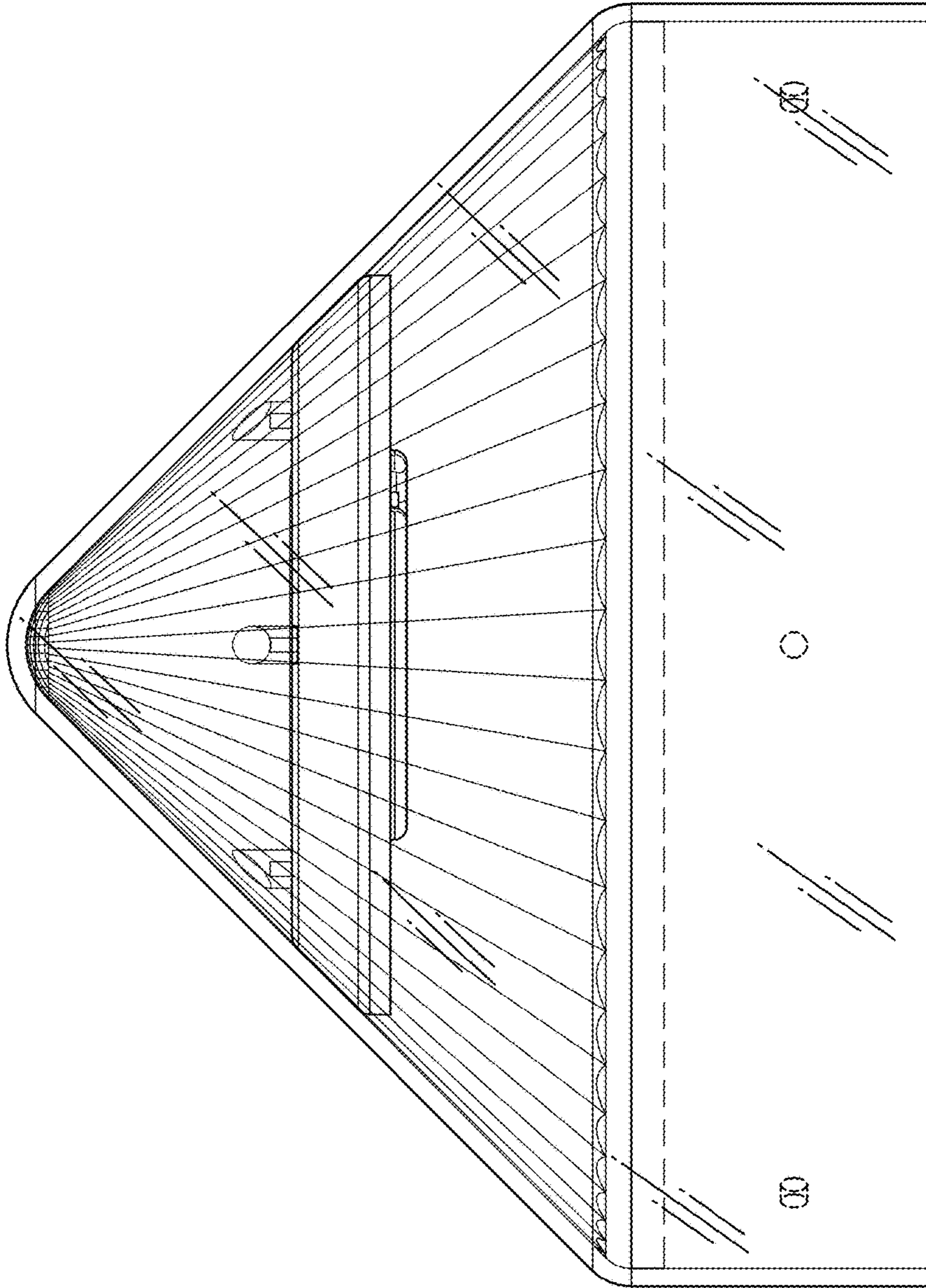


FIG. 7

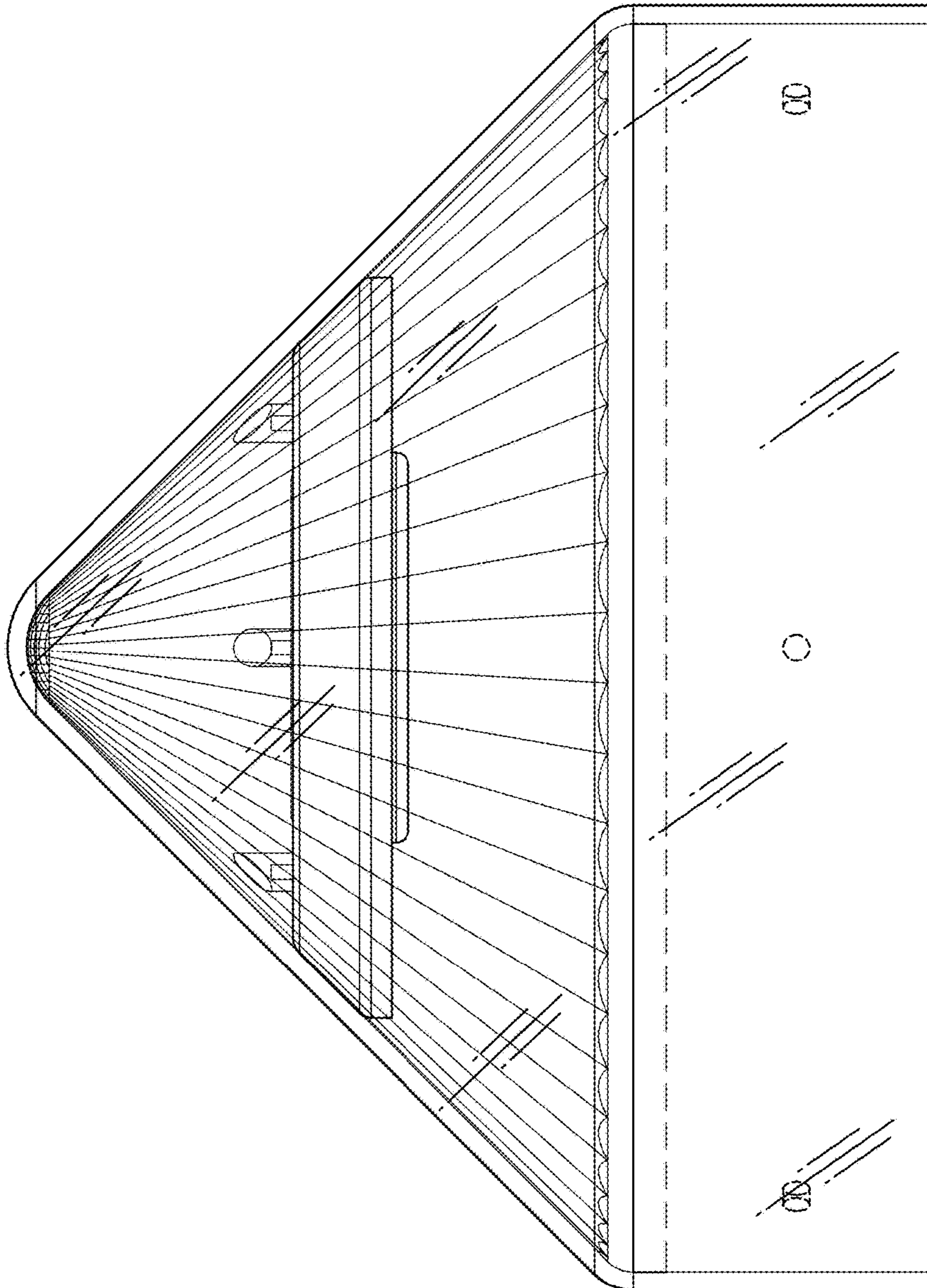


FIG. 8

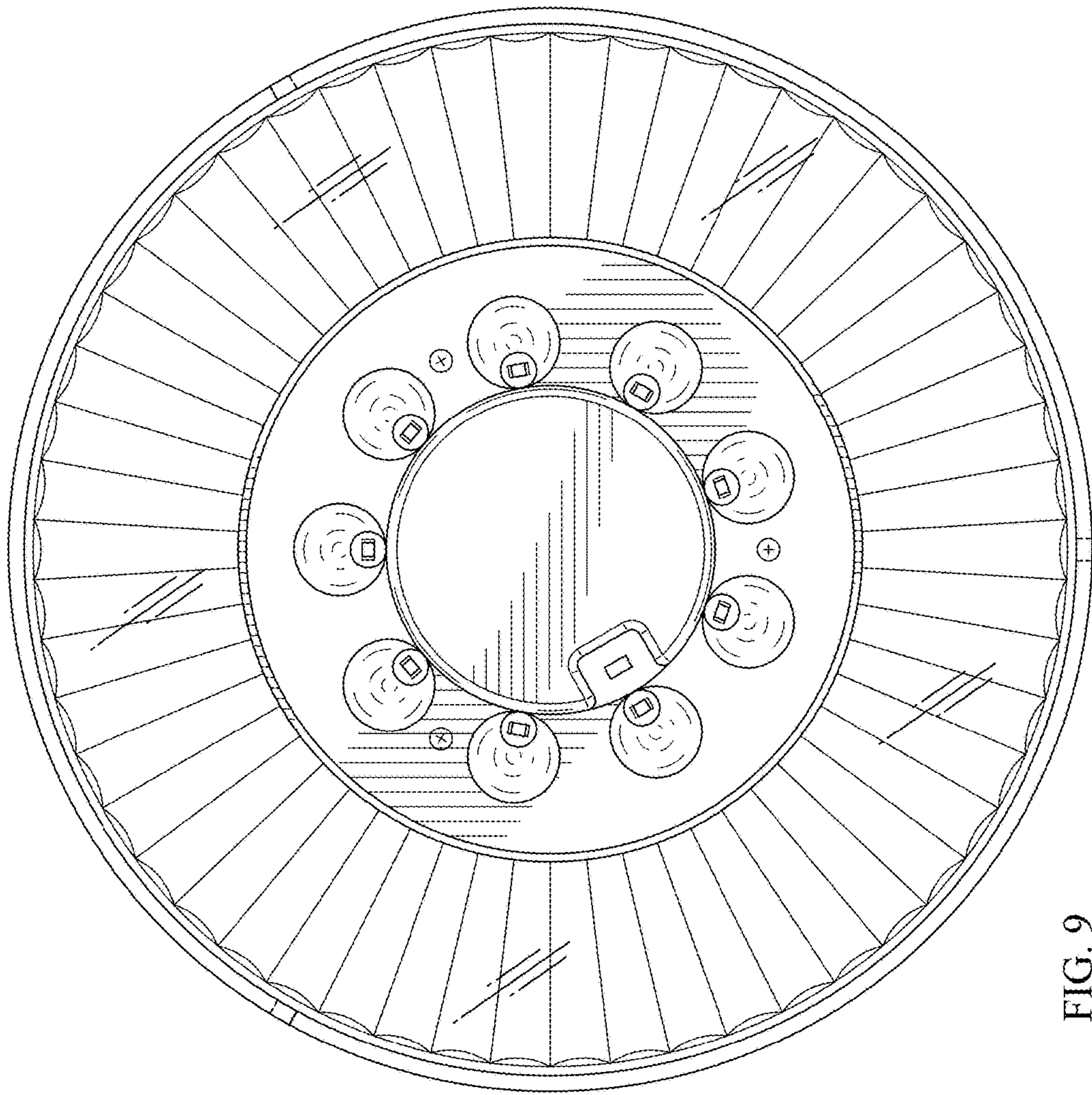


FIG. 9



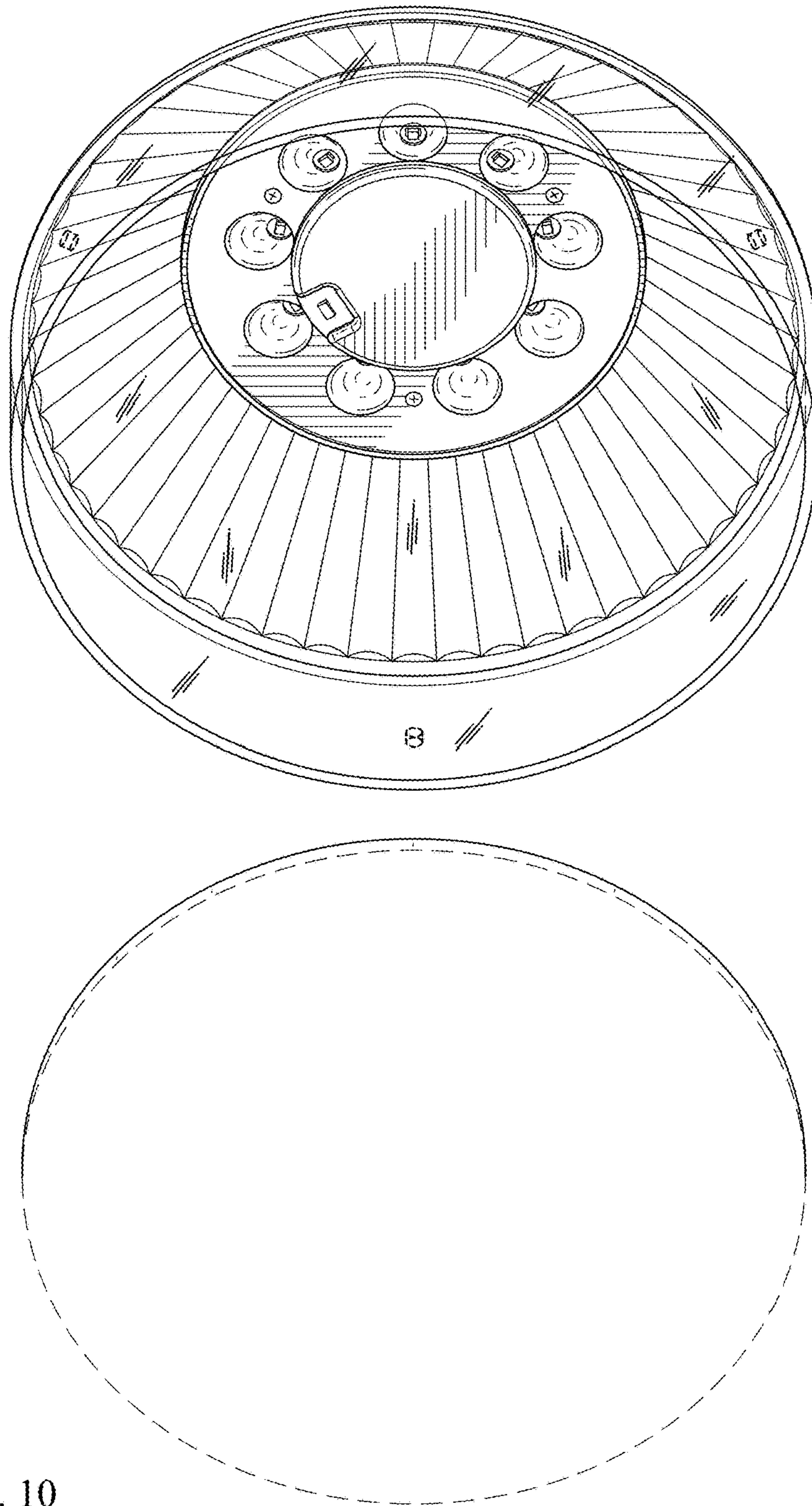


FIG. 10

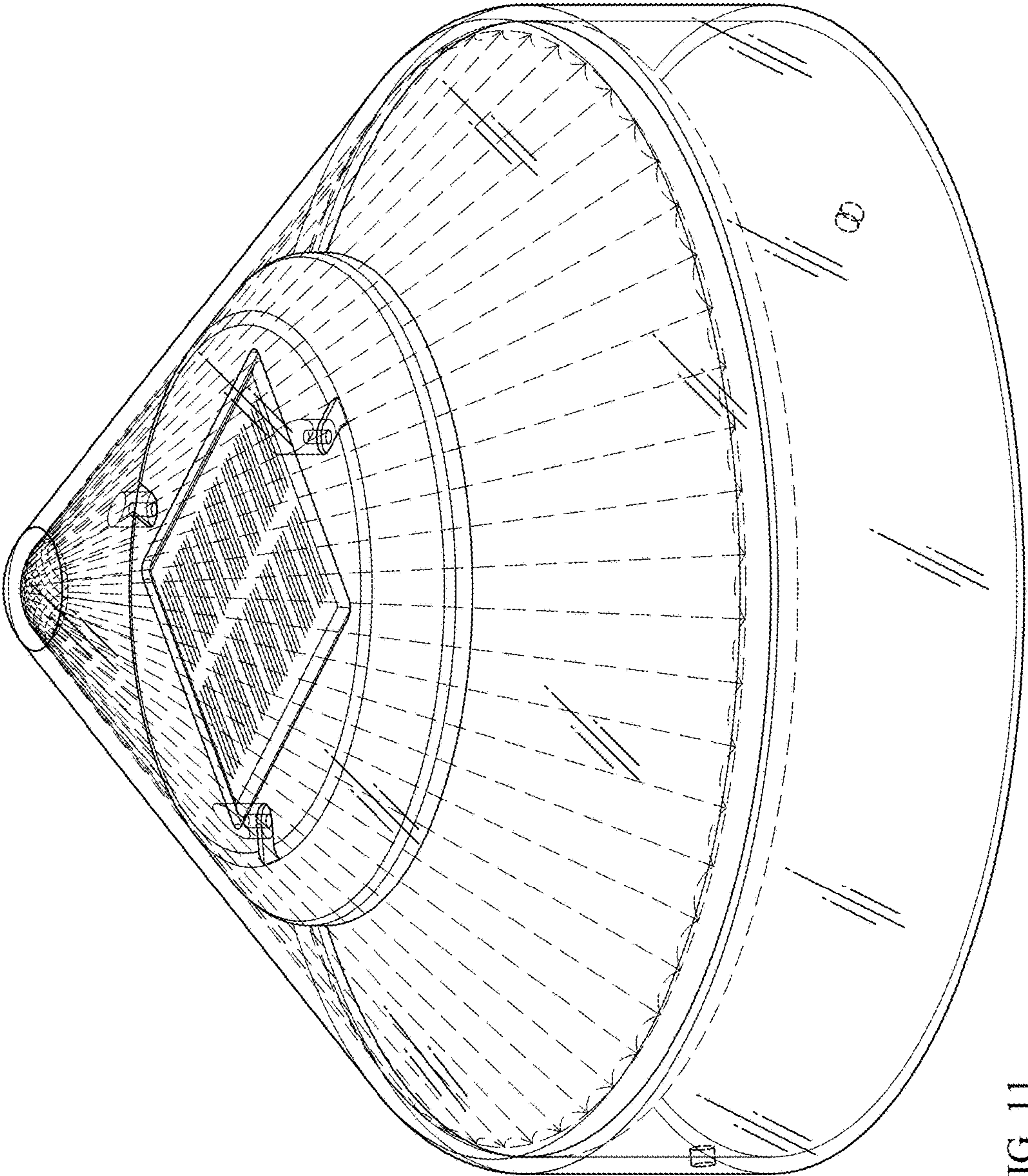


FIG. 11

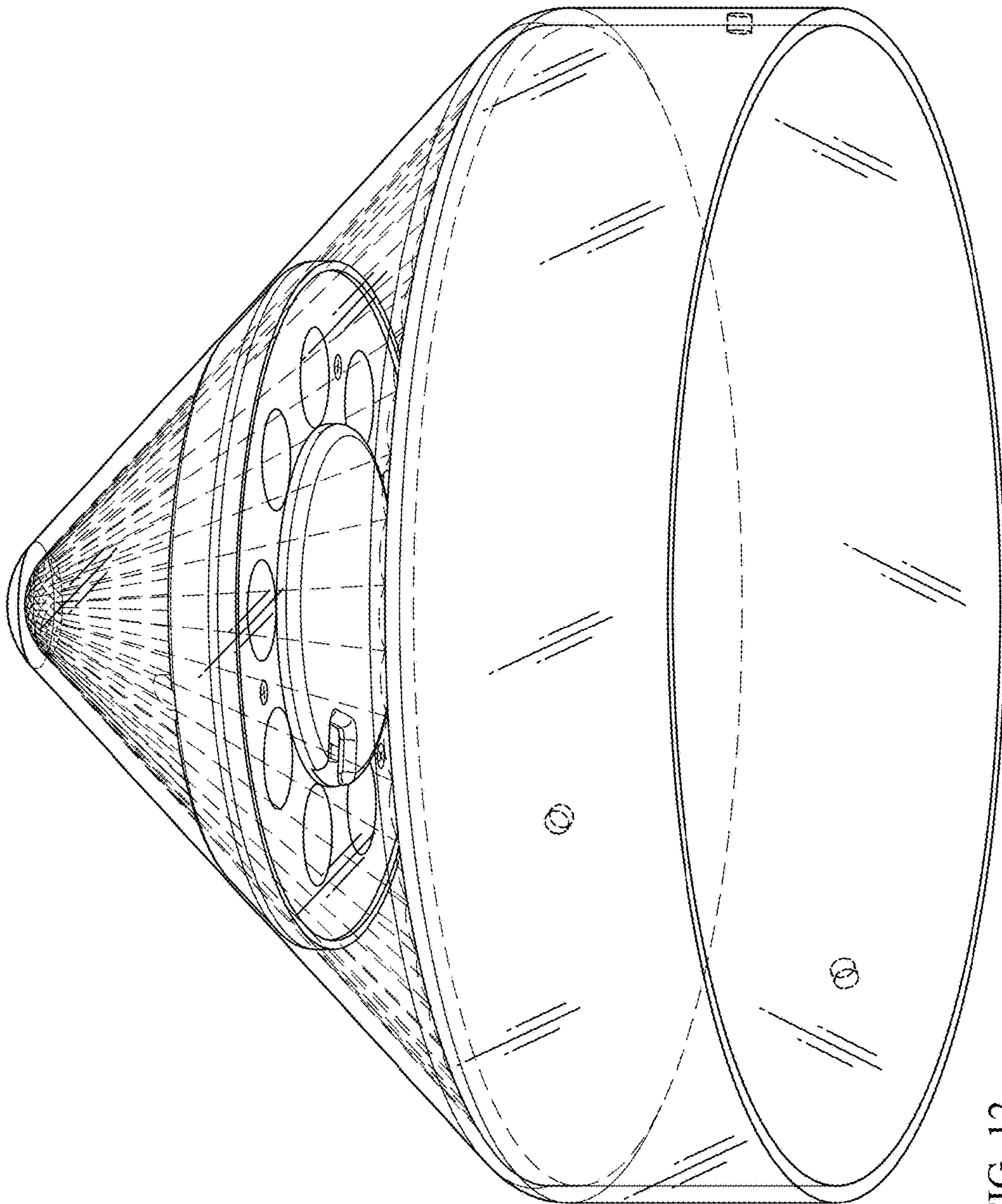


FIG. 12



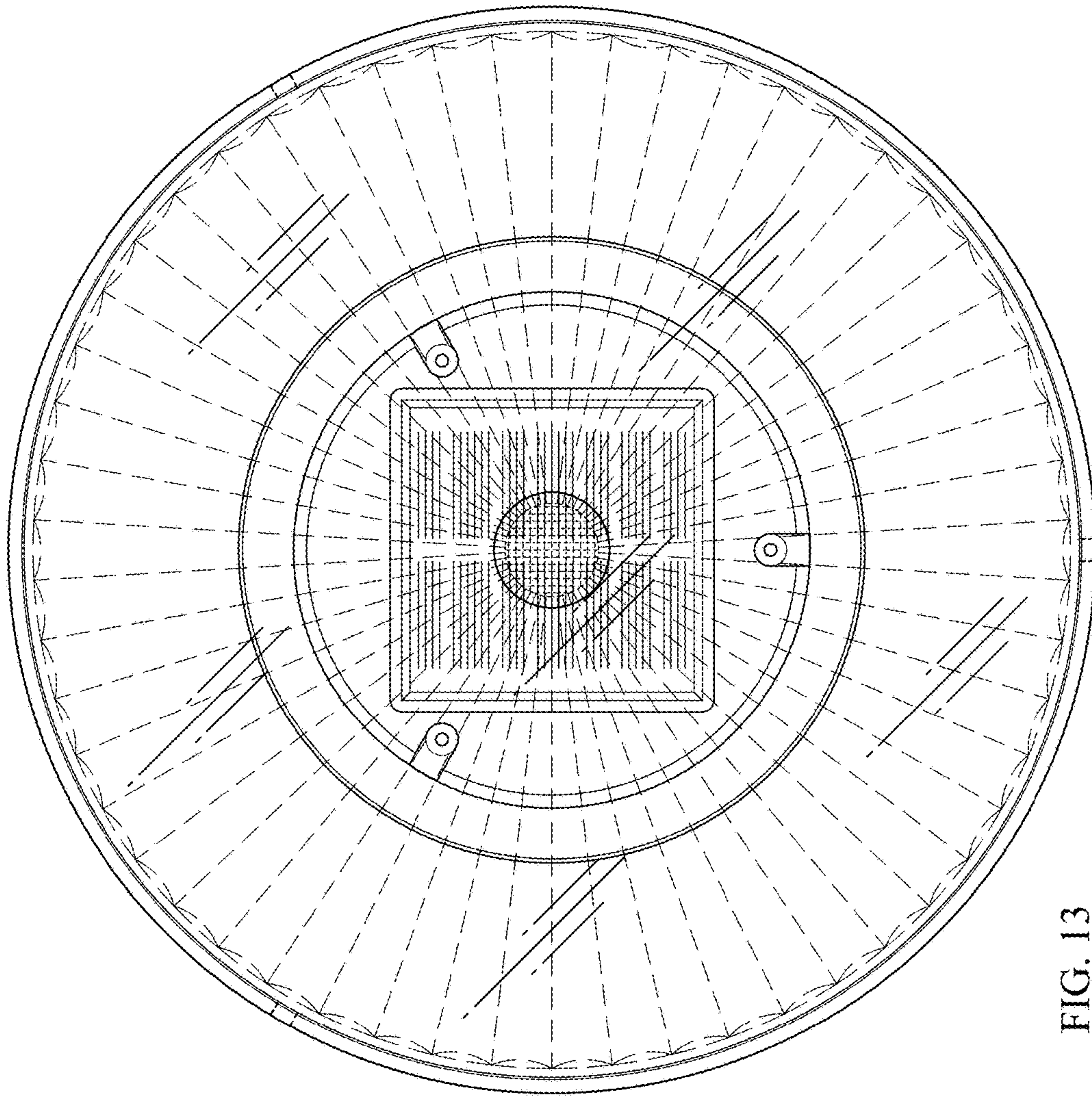


FIG. 13

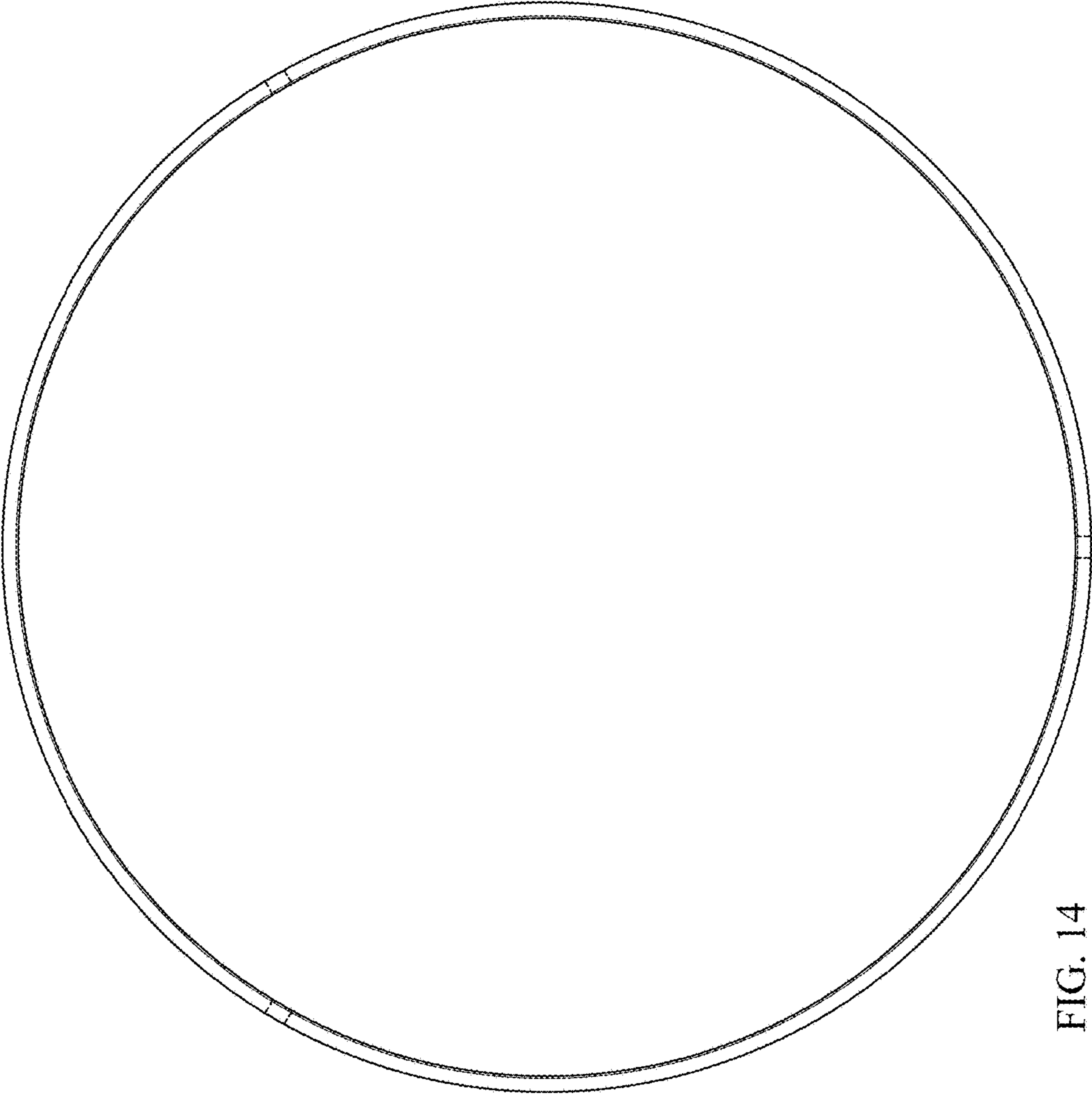


FIG. 14

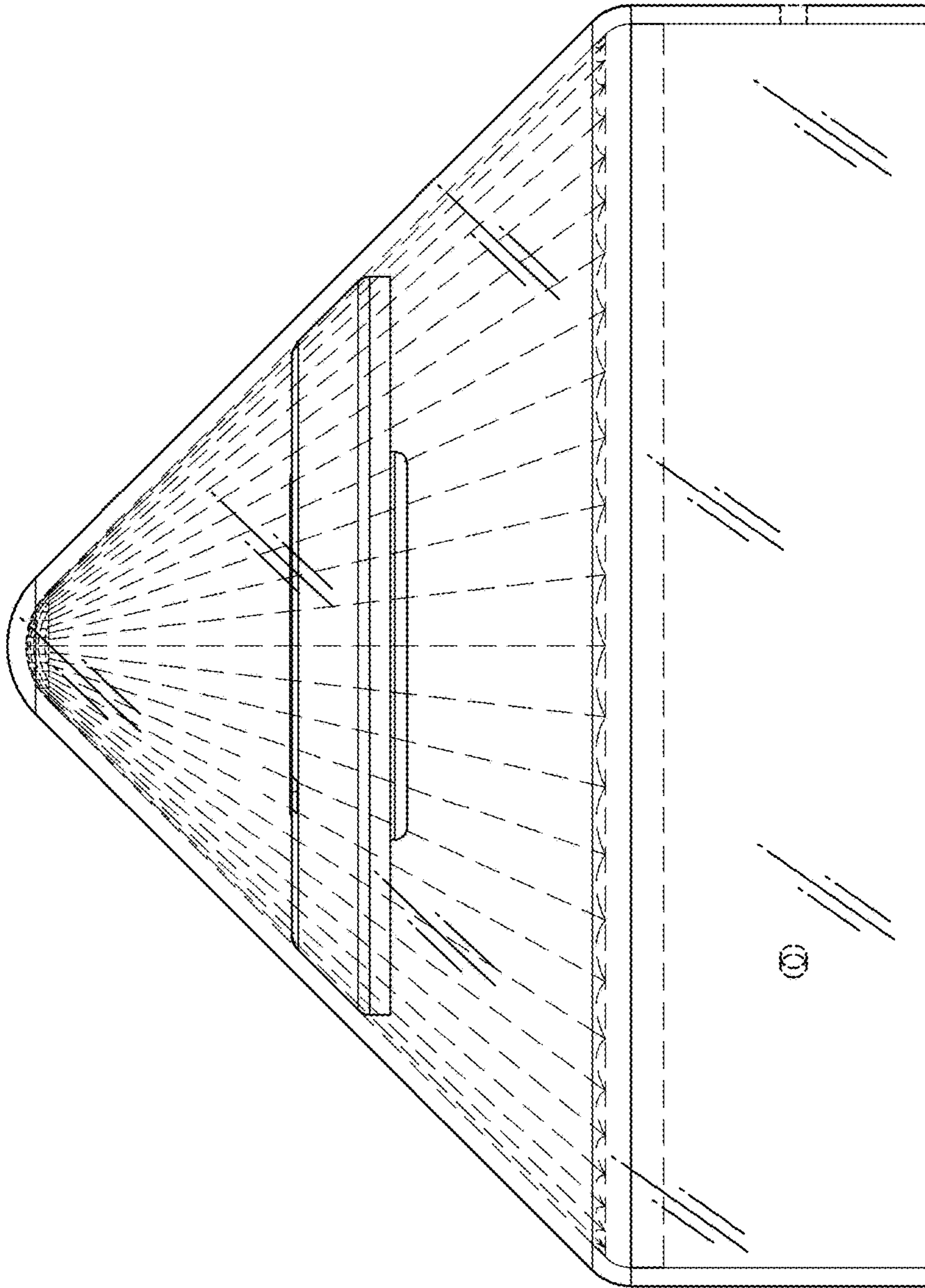


FIG. 15



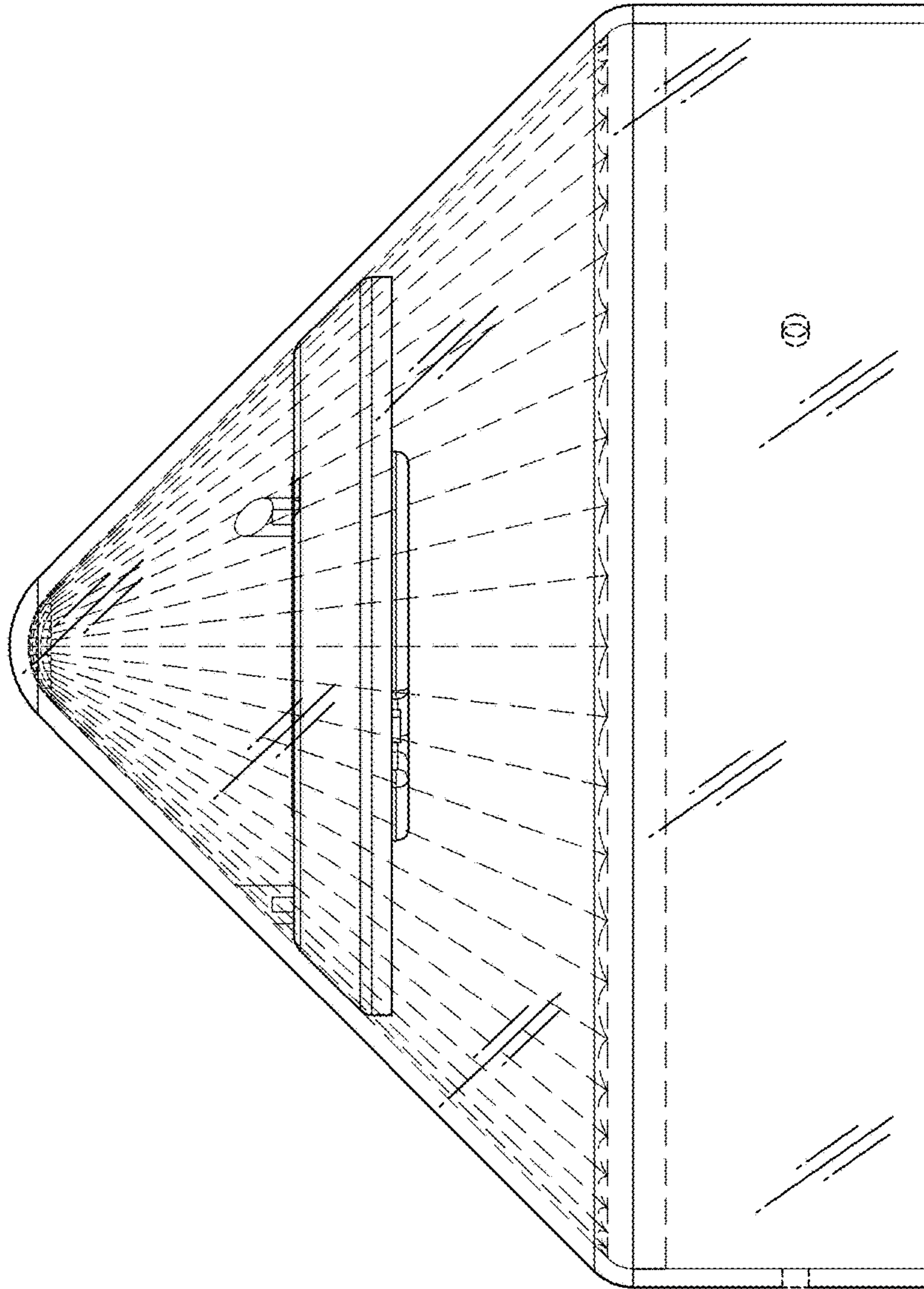


FIG. 16

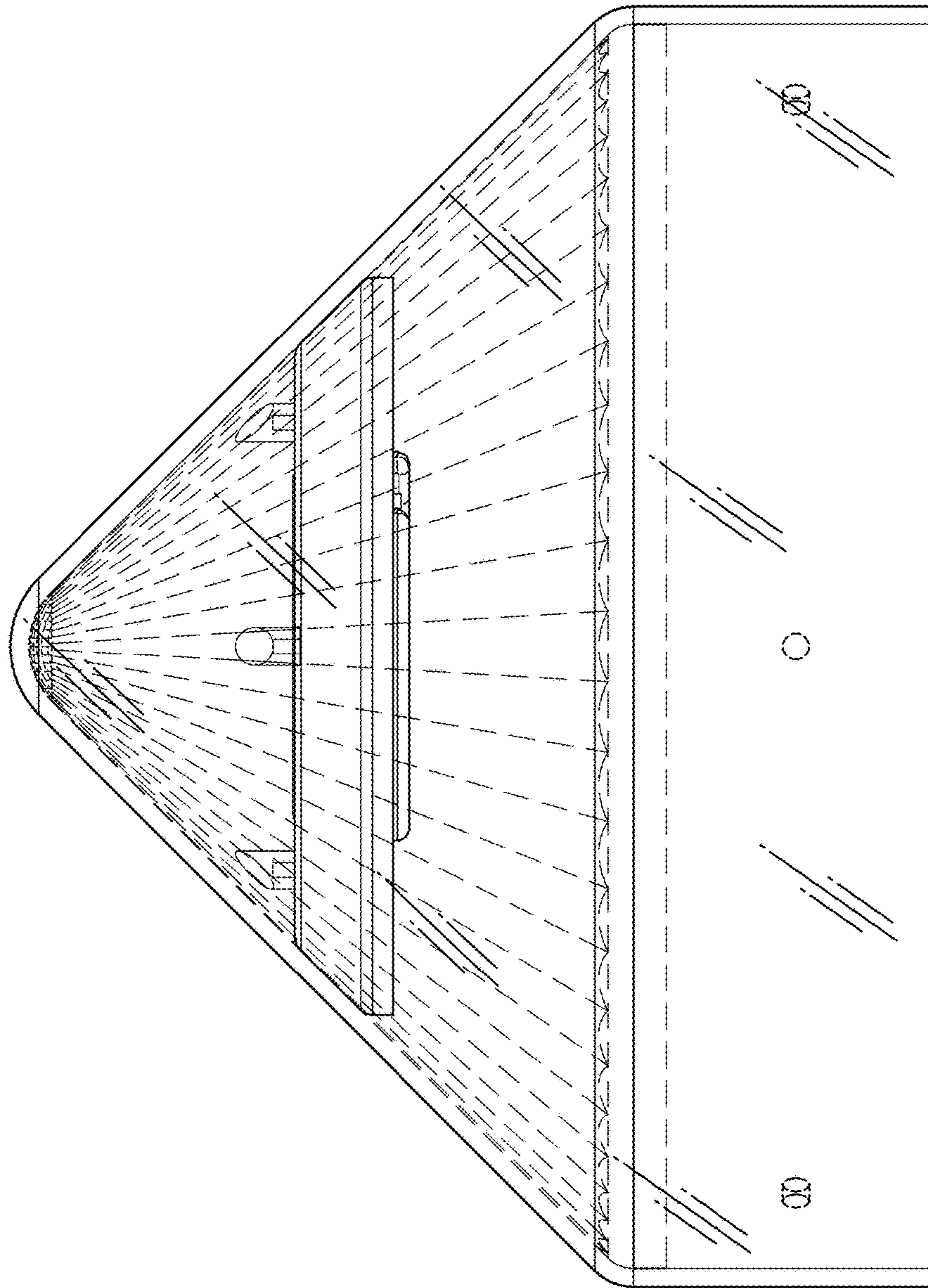


FIG. 17

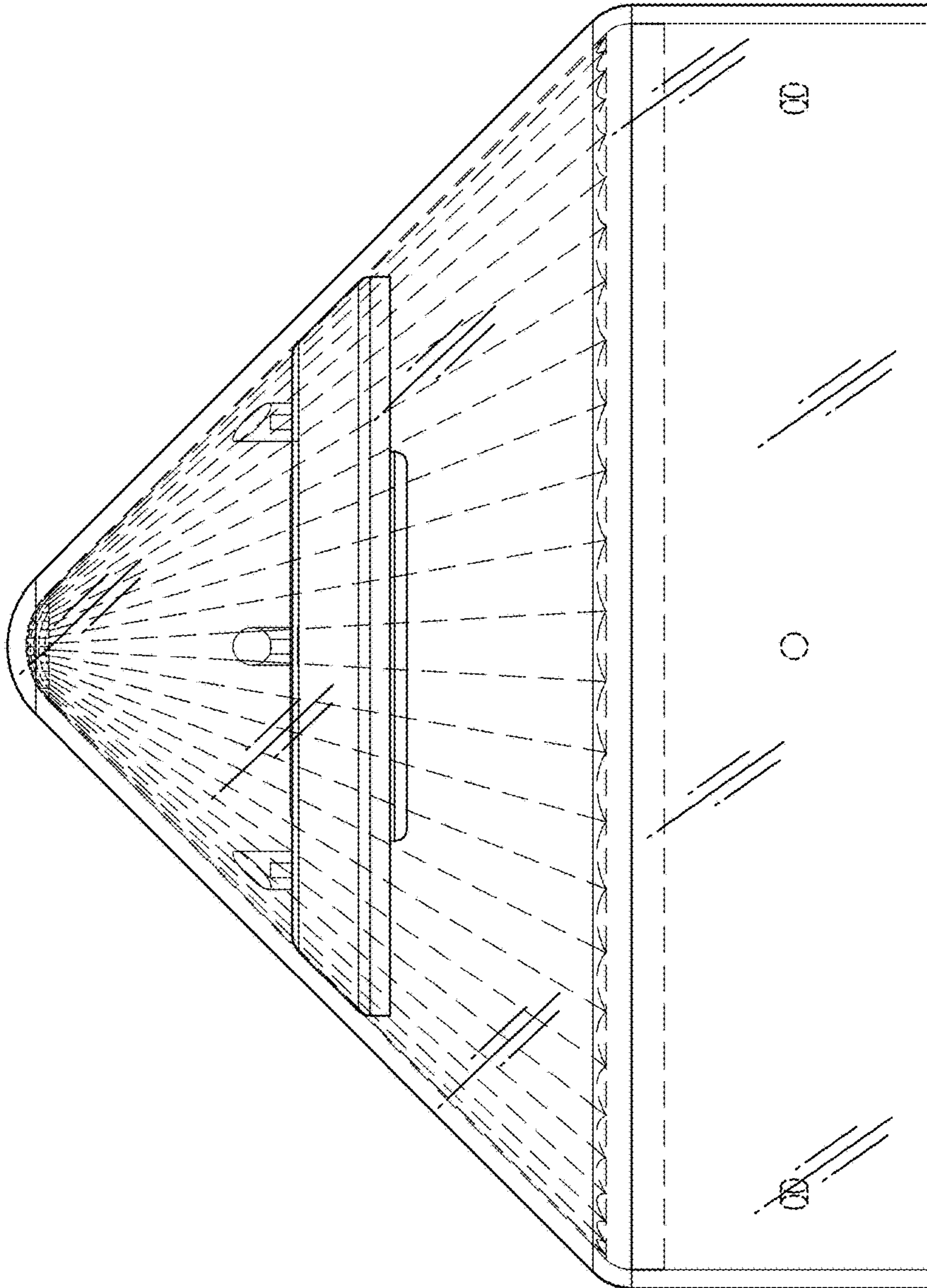


FIG. 18



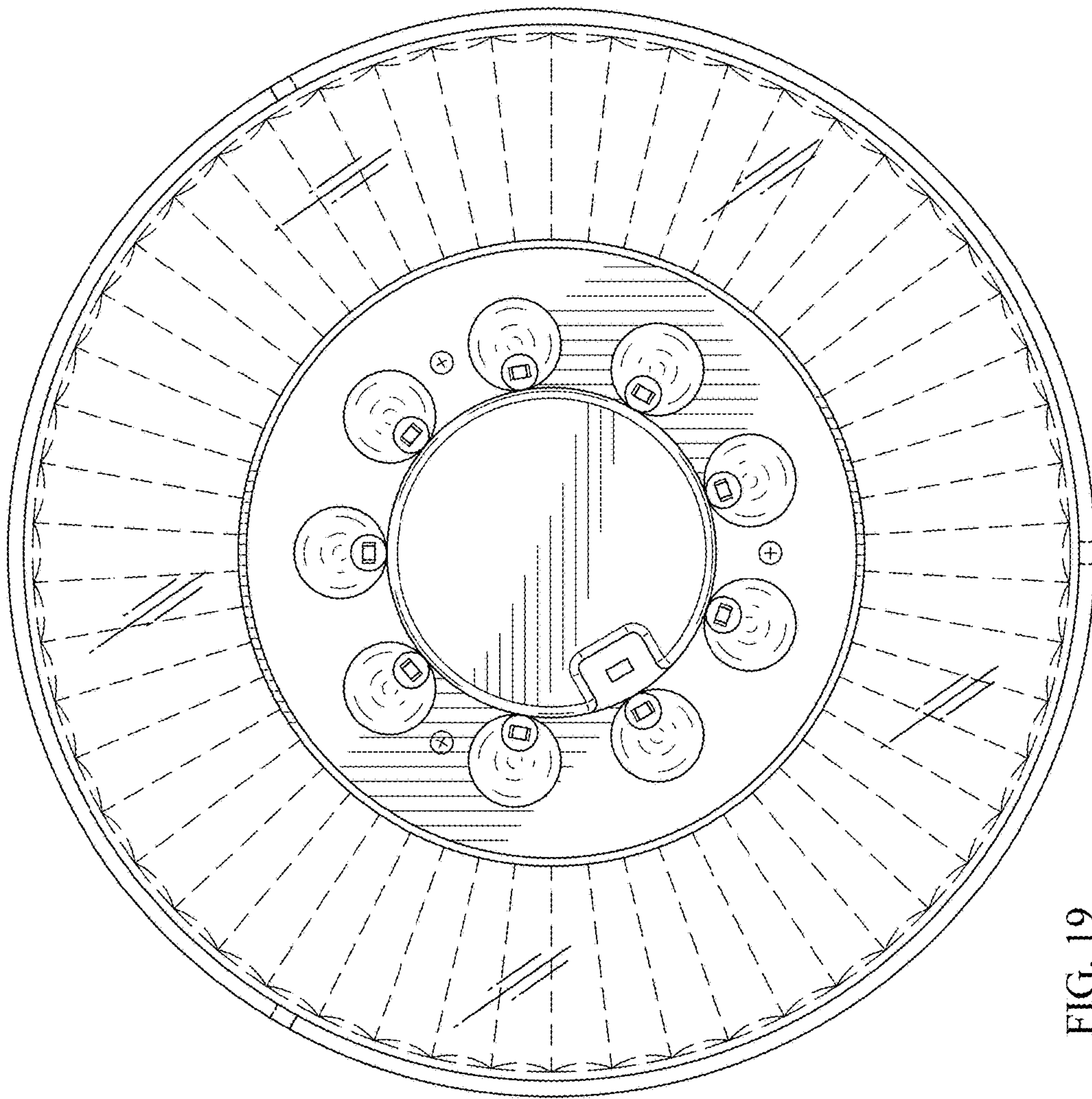


FIG. 19

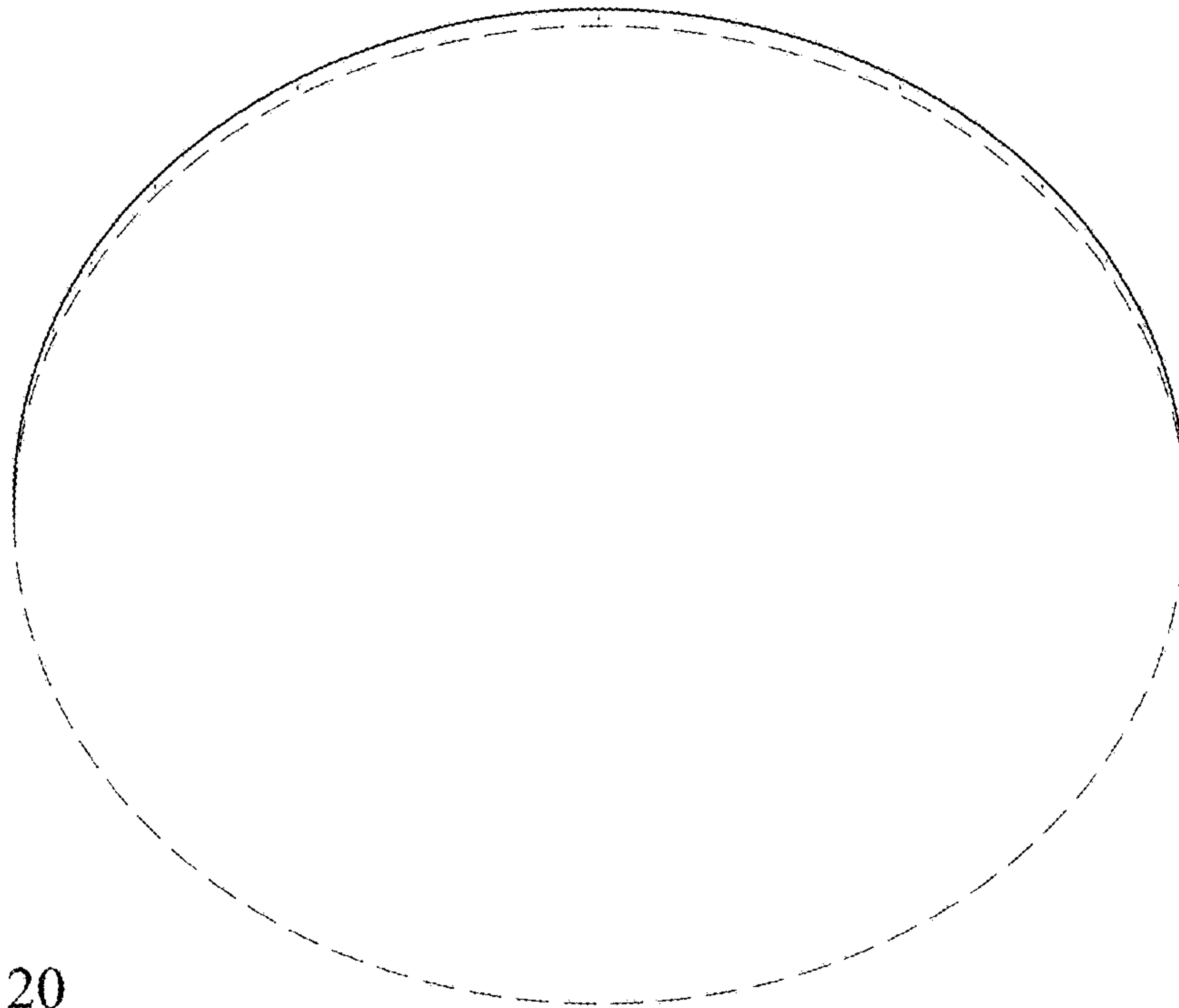
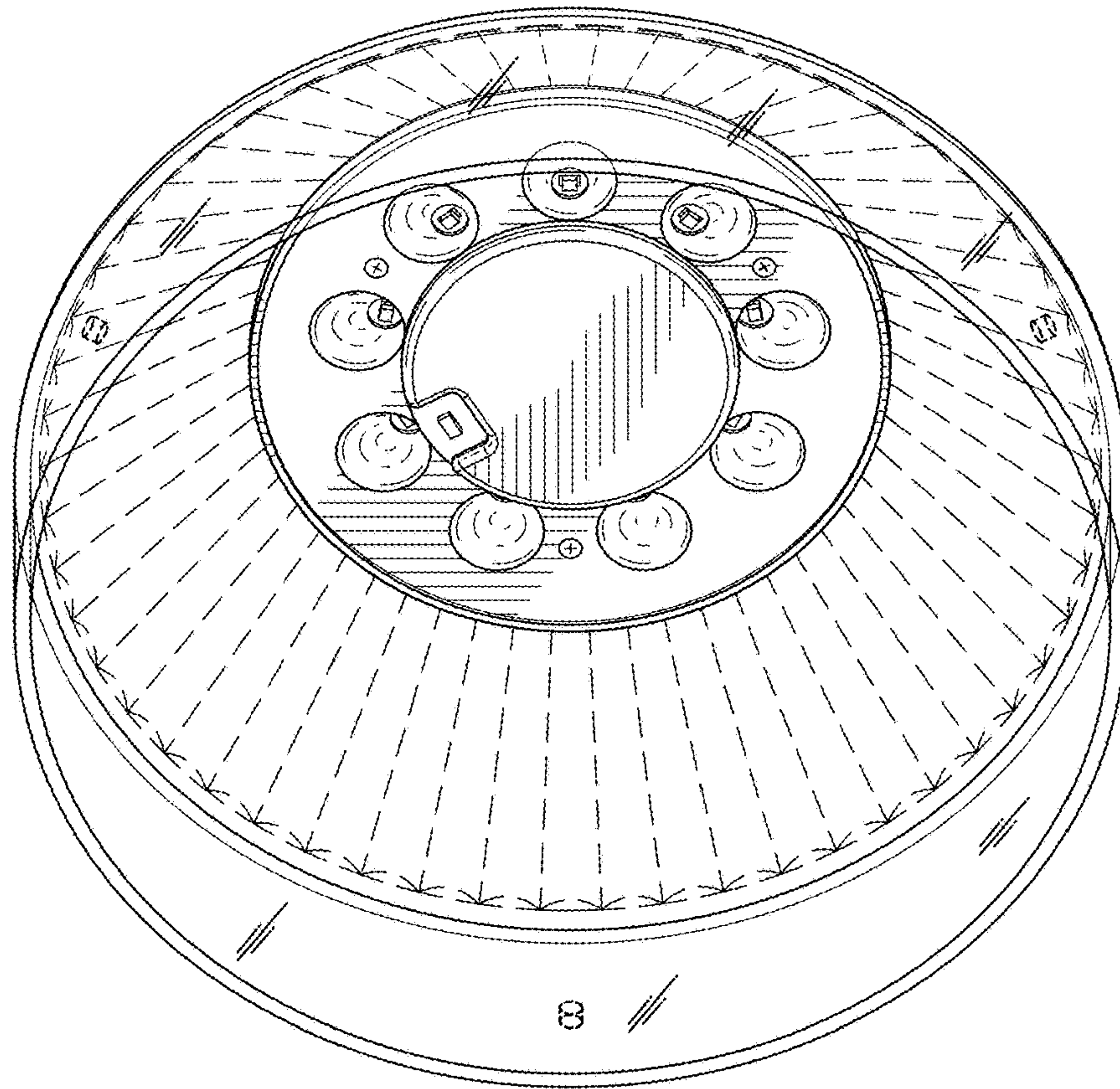


FIG. 20

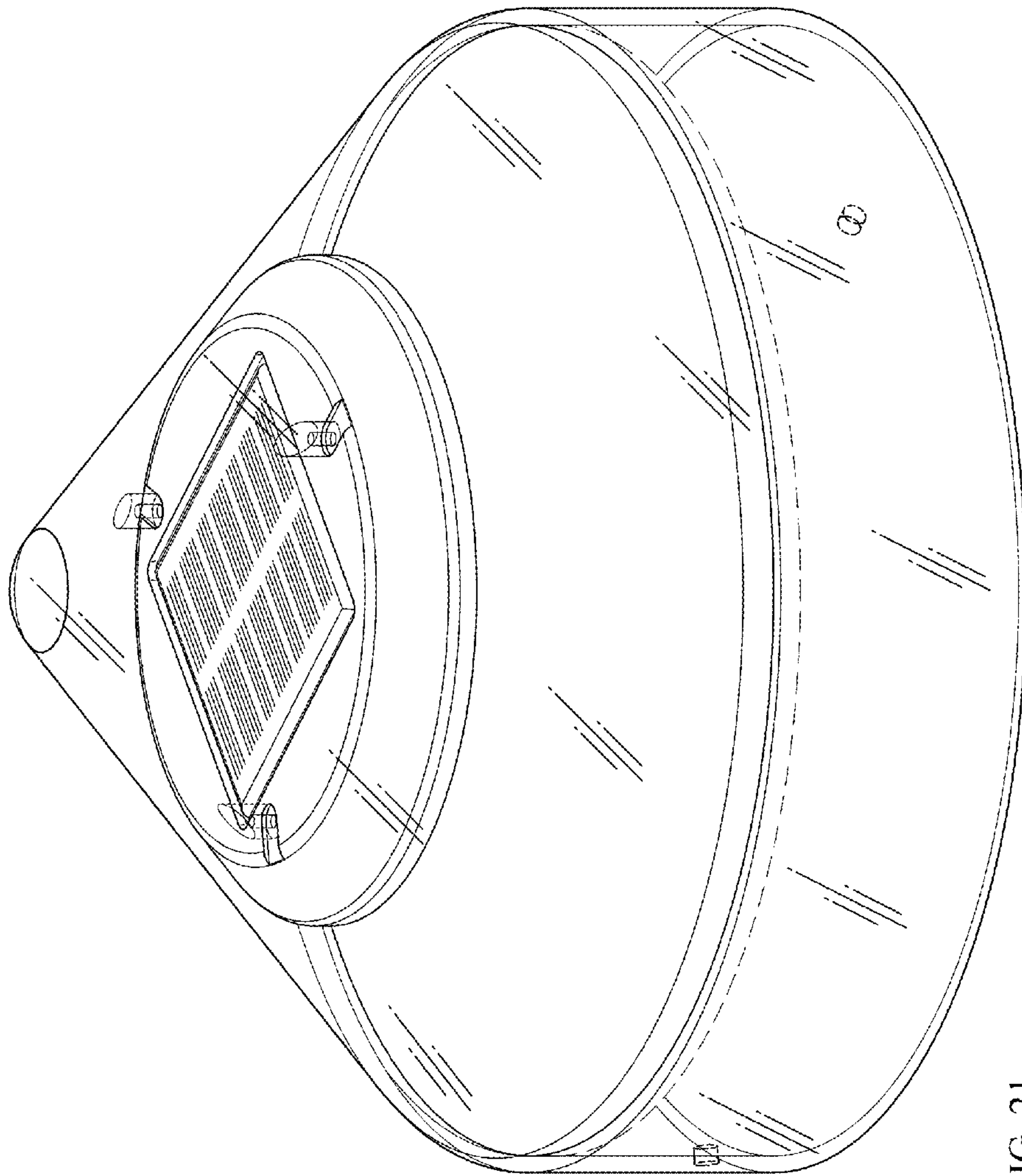


FIG. 21



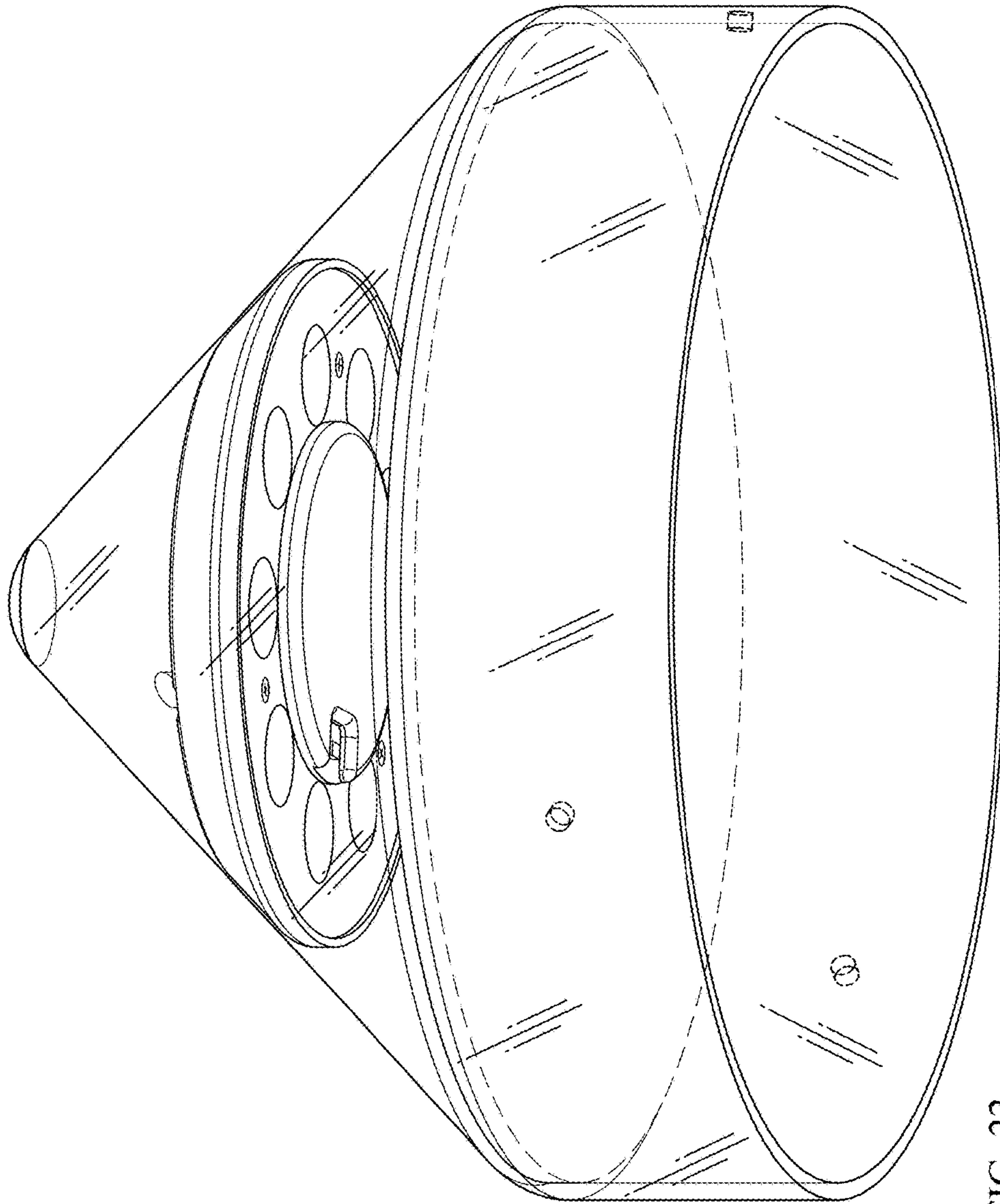


FIG. 22

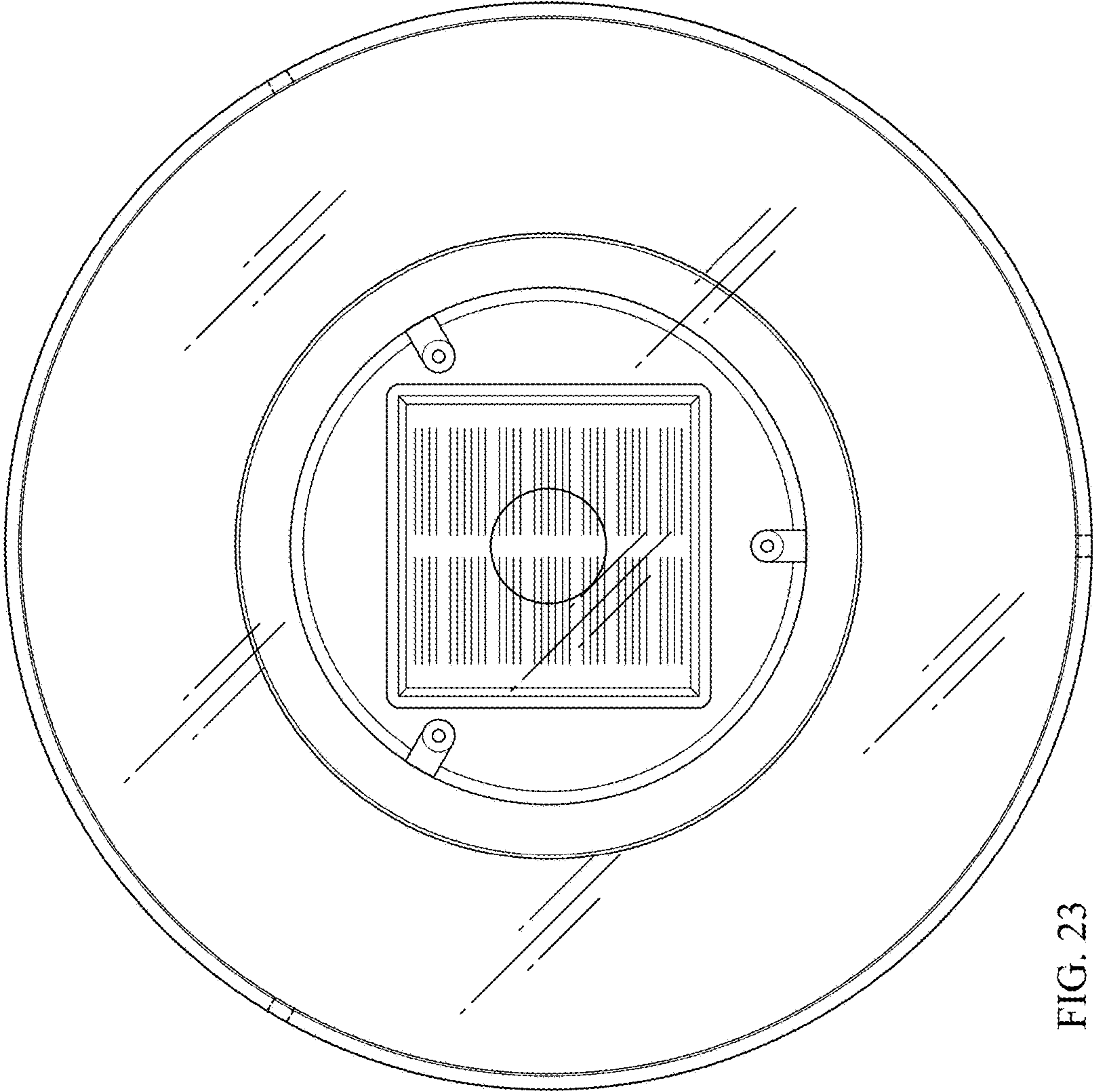


FIG. 23

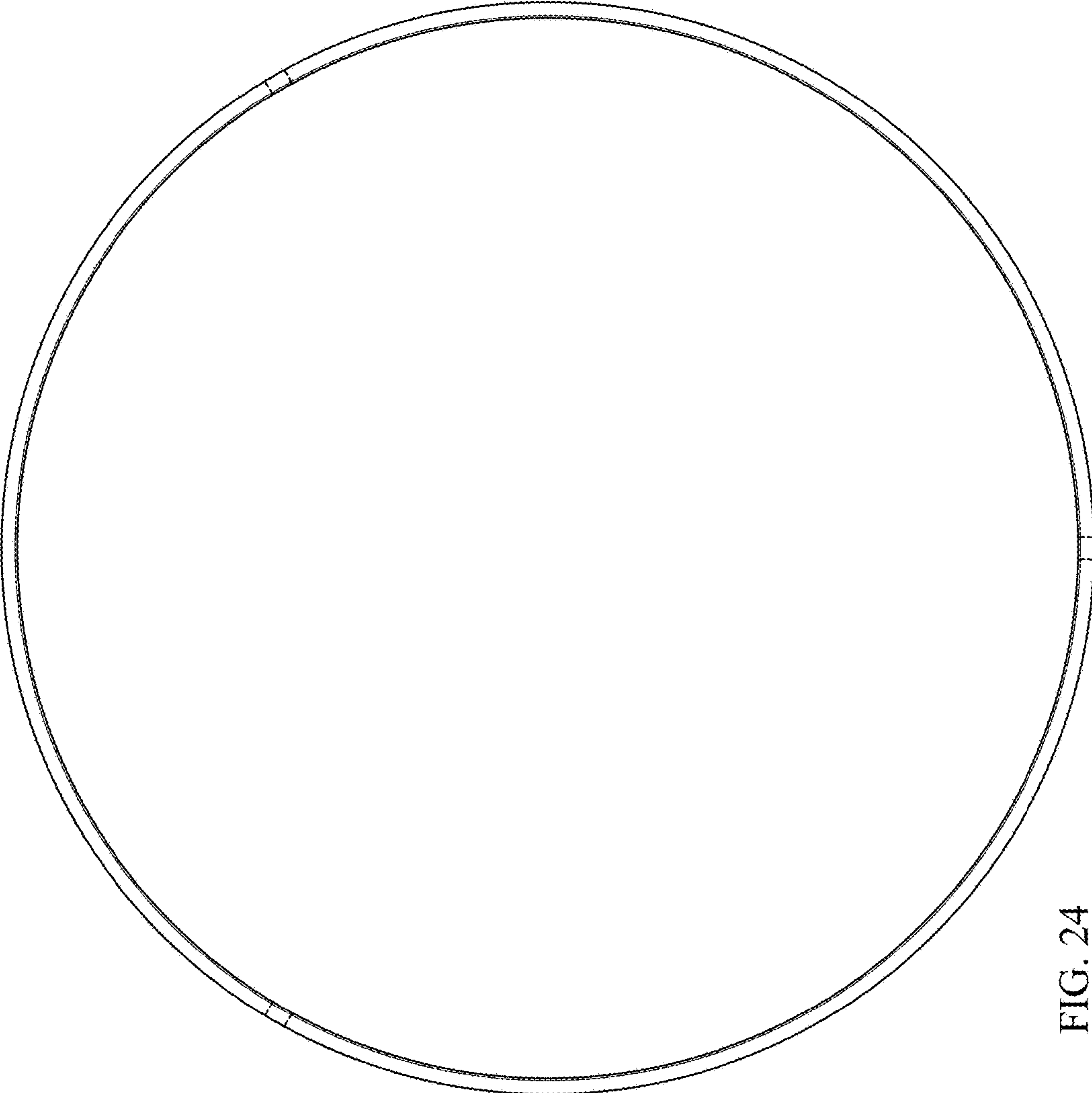


FIG. 24



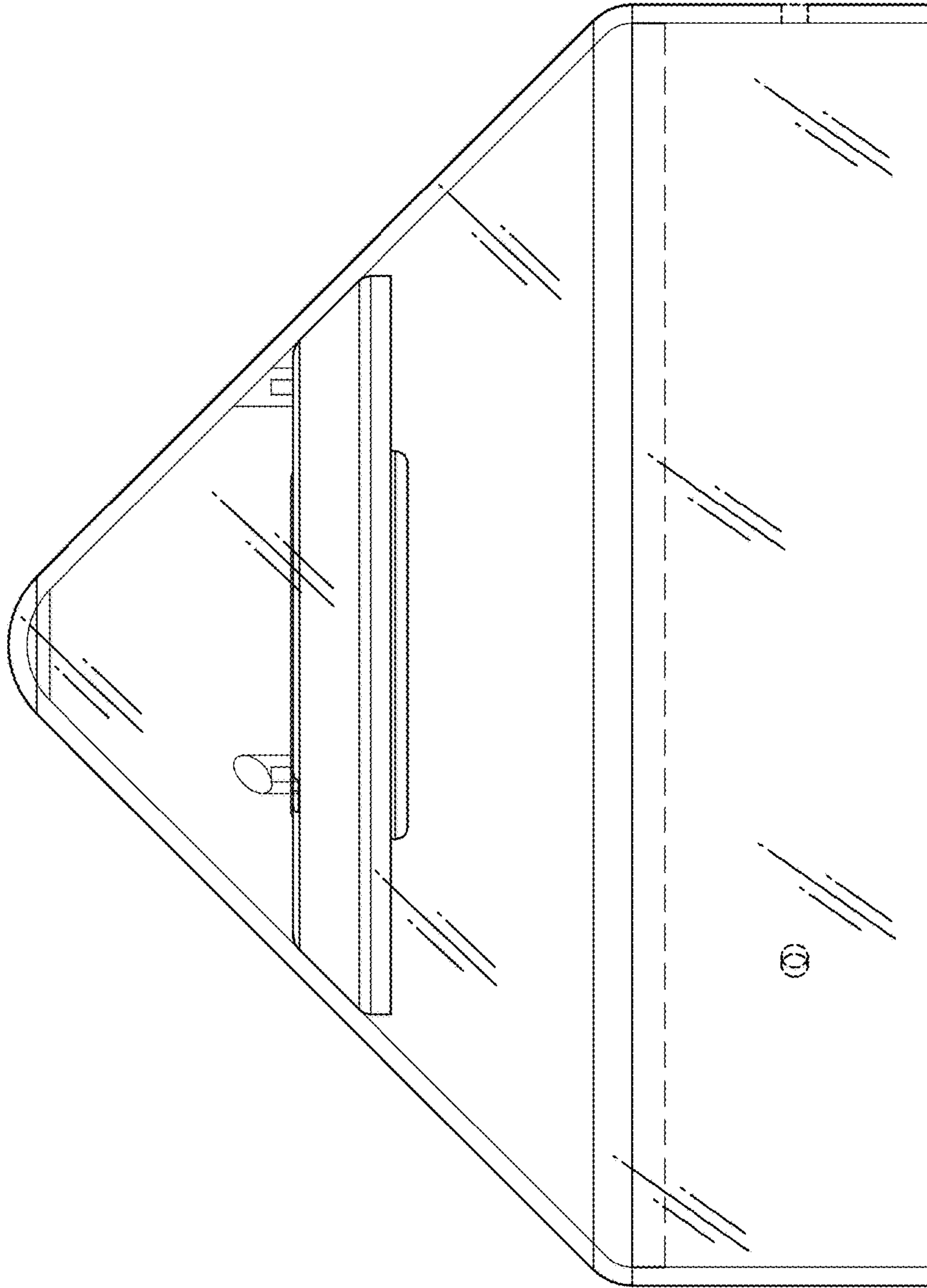


FIG. 25

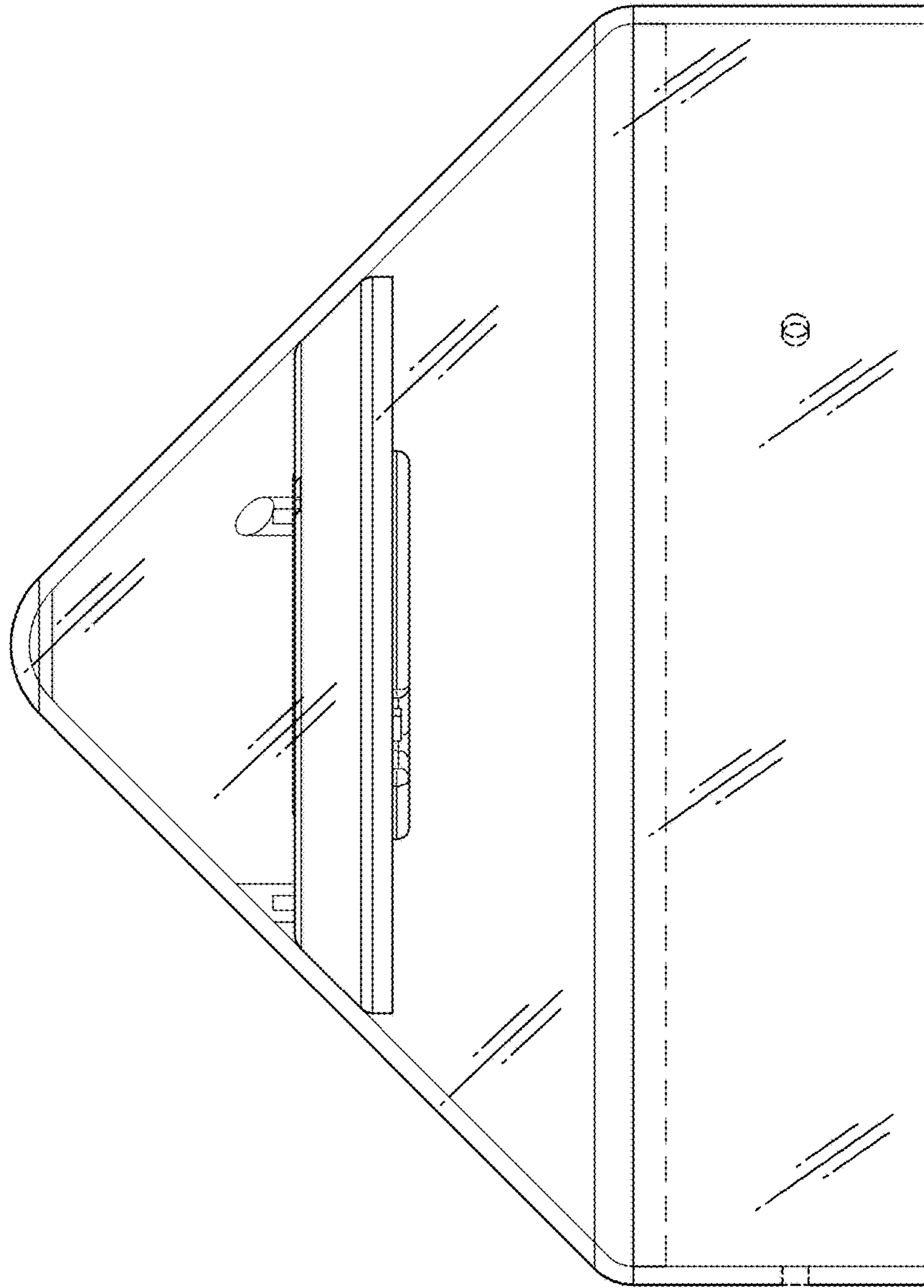


FIG. 26

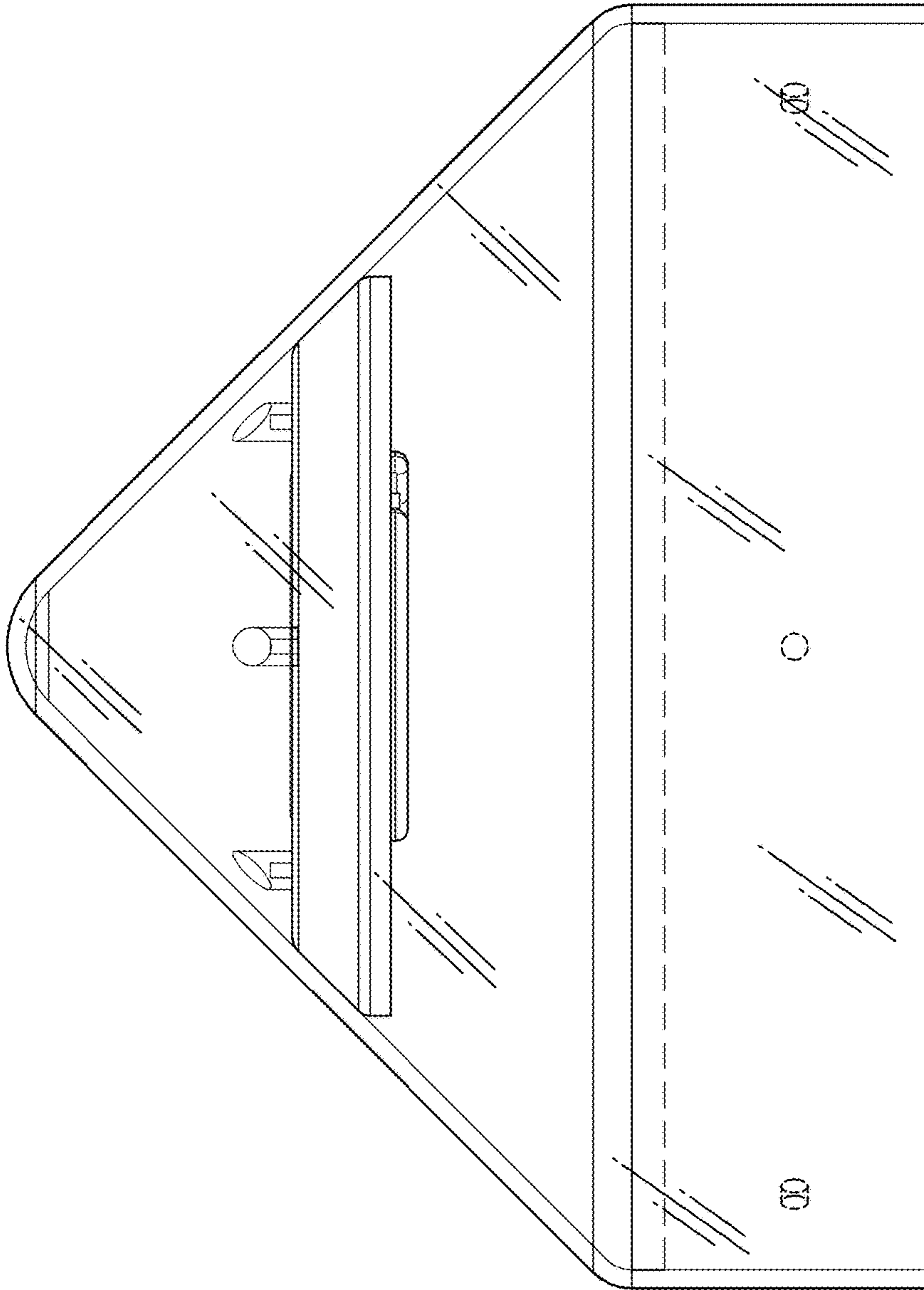


FIG. 27



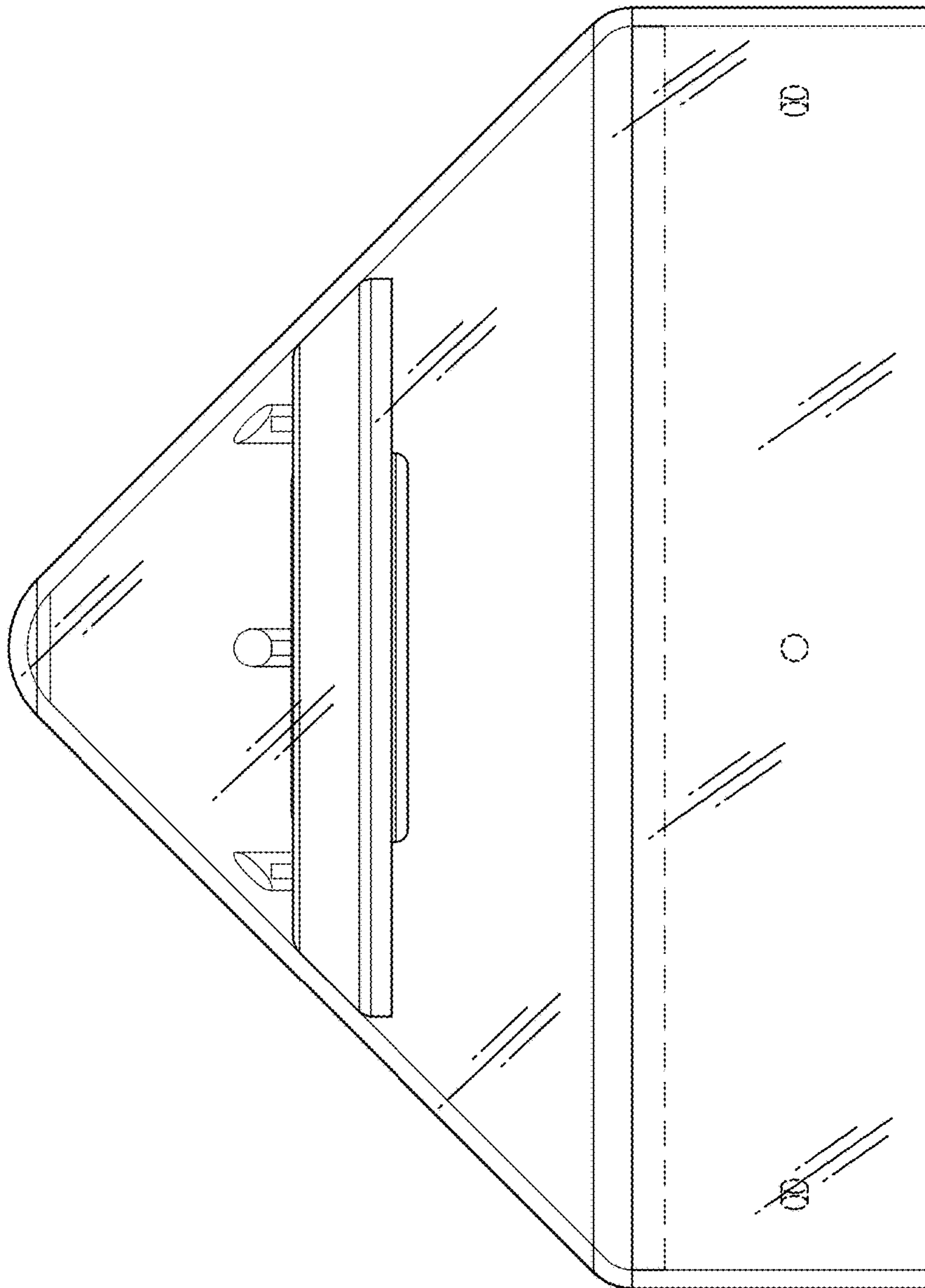


FIG. 28

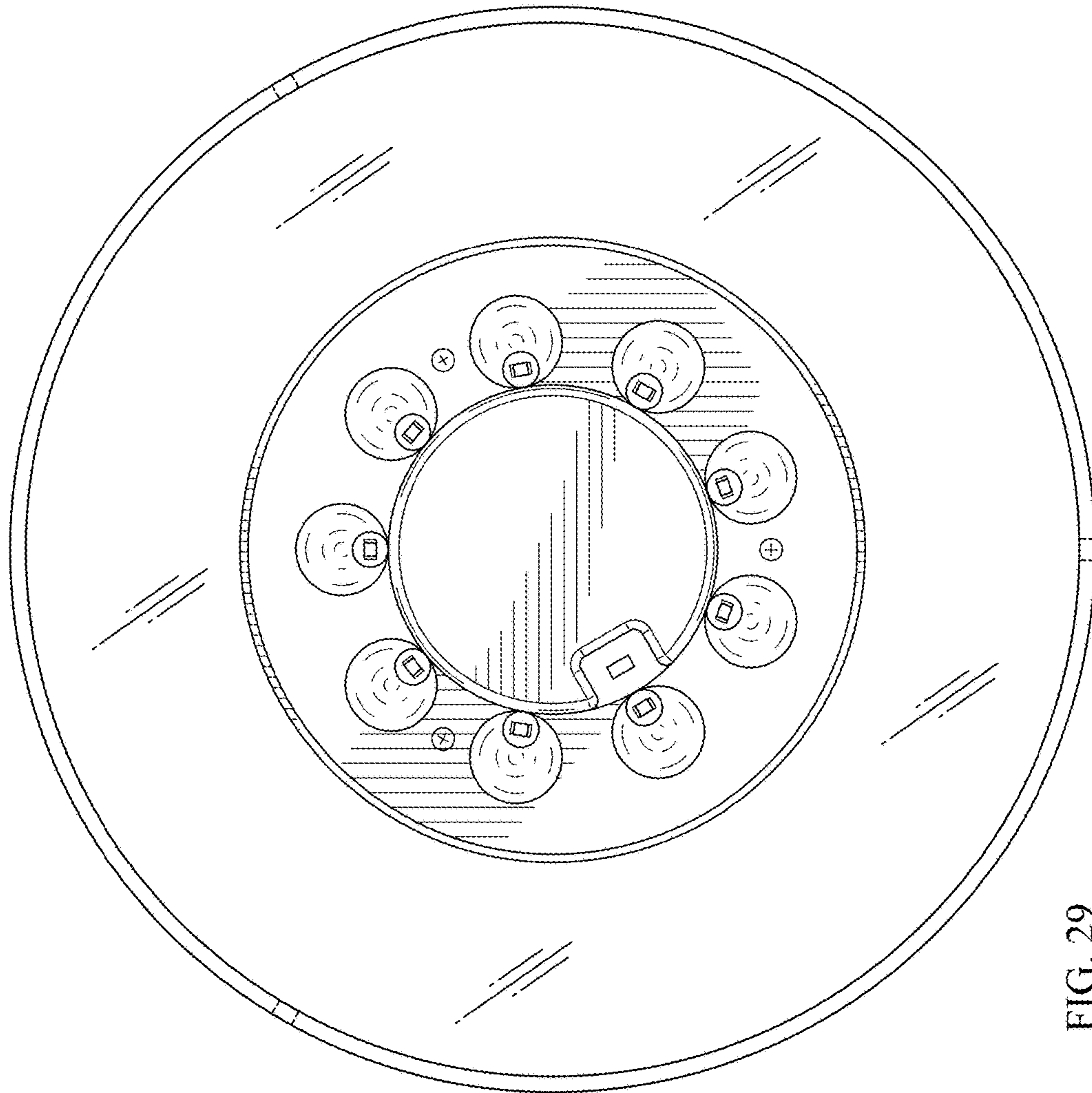


FIG. 29

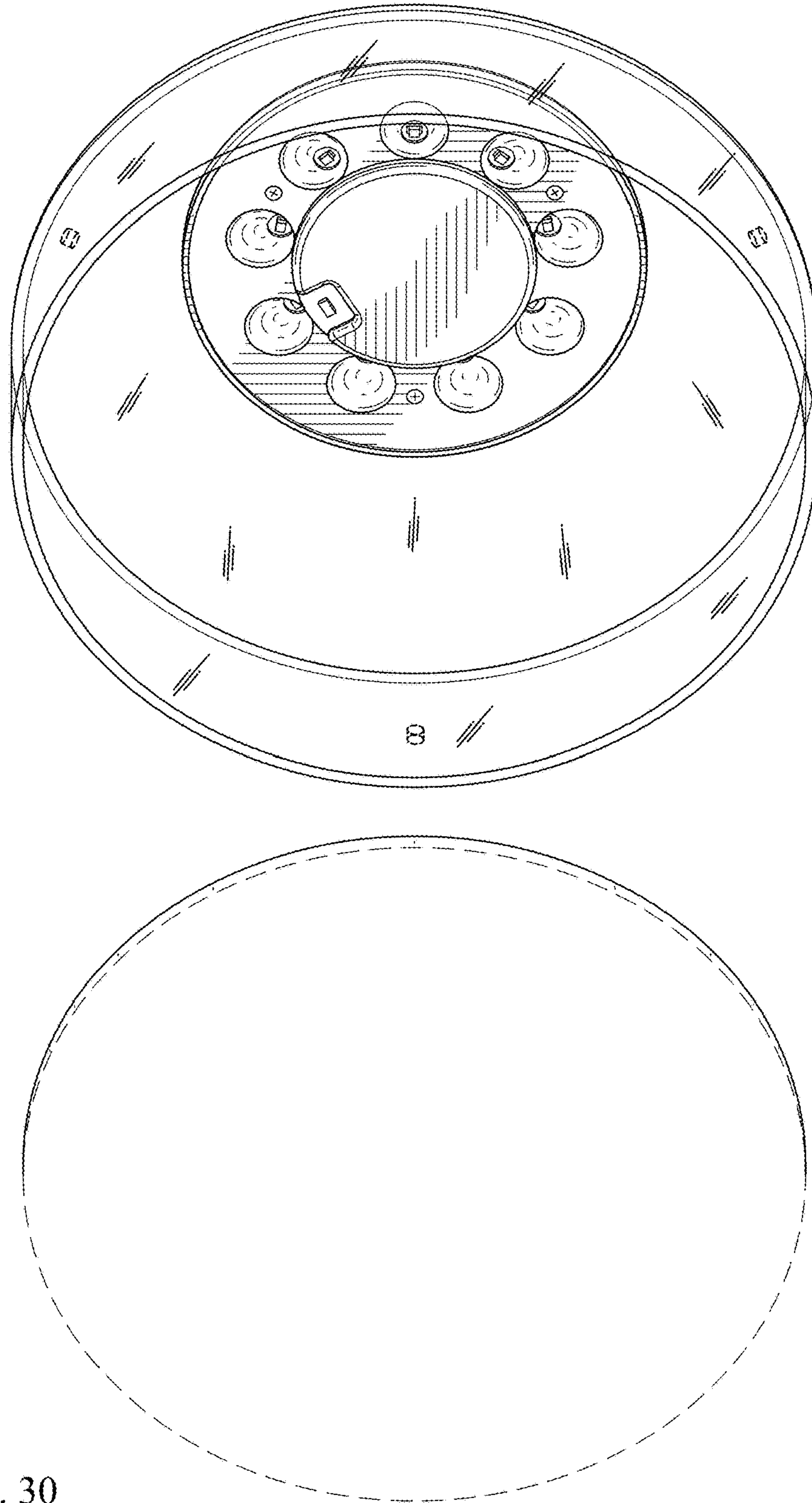


FIG. 30



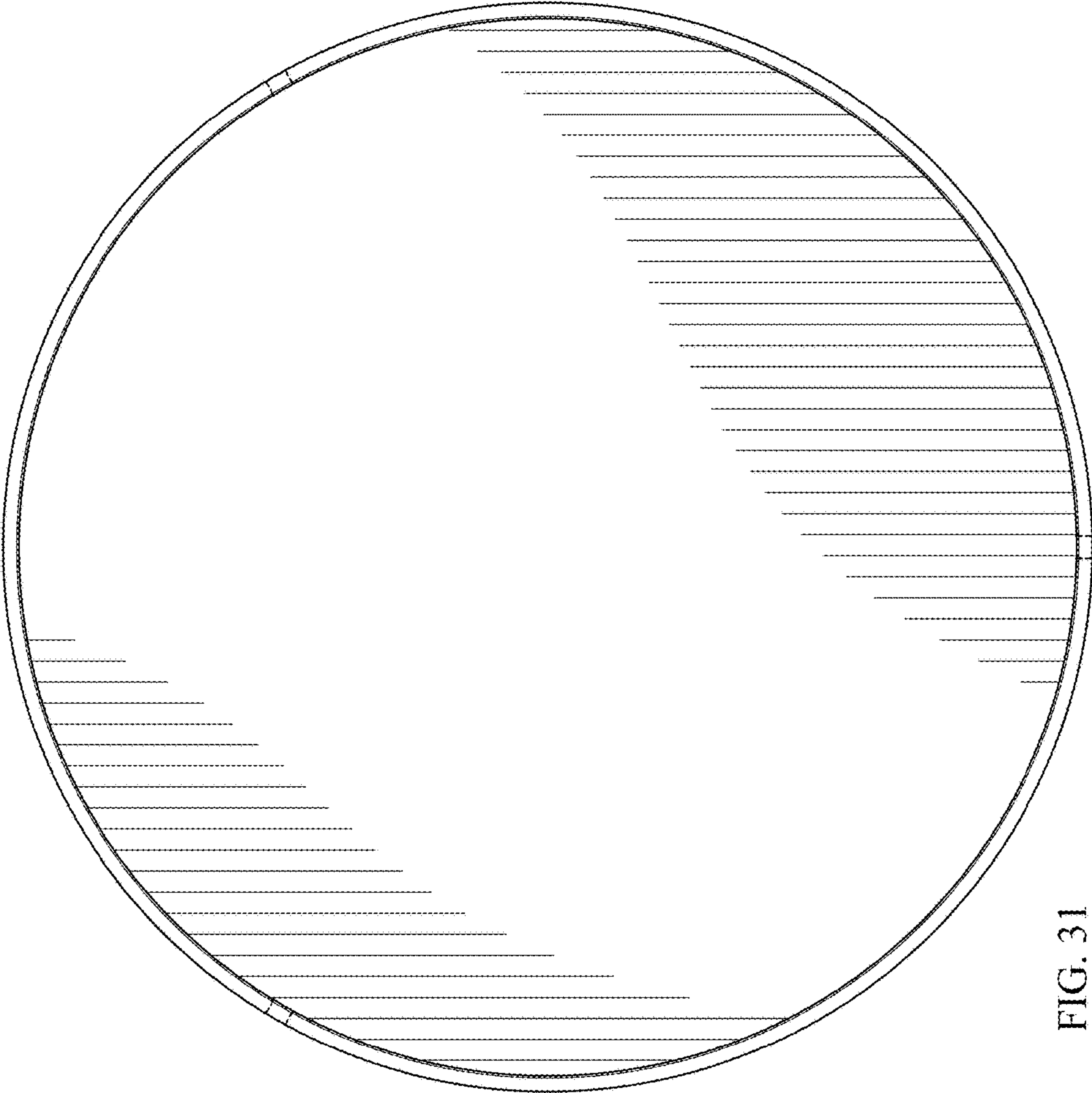


FIG. 31

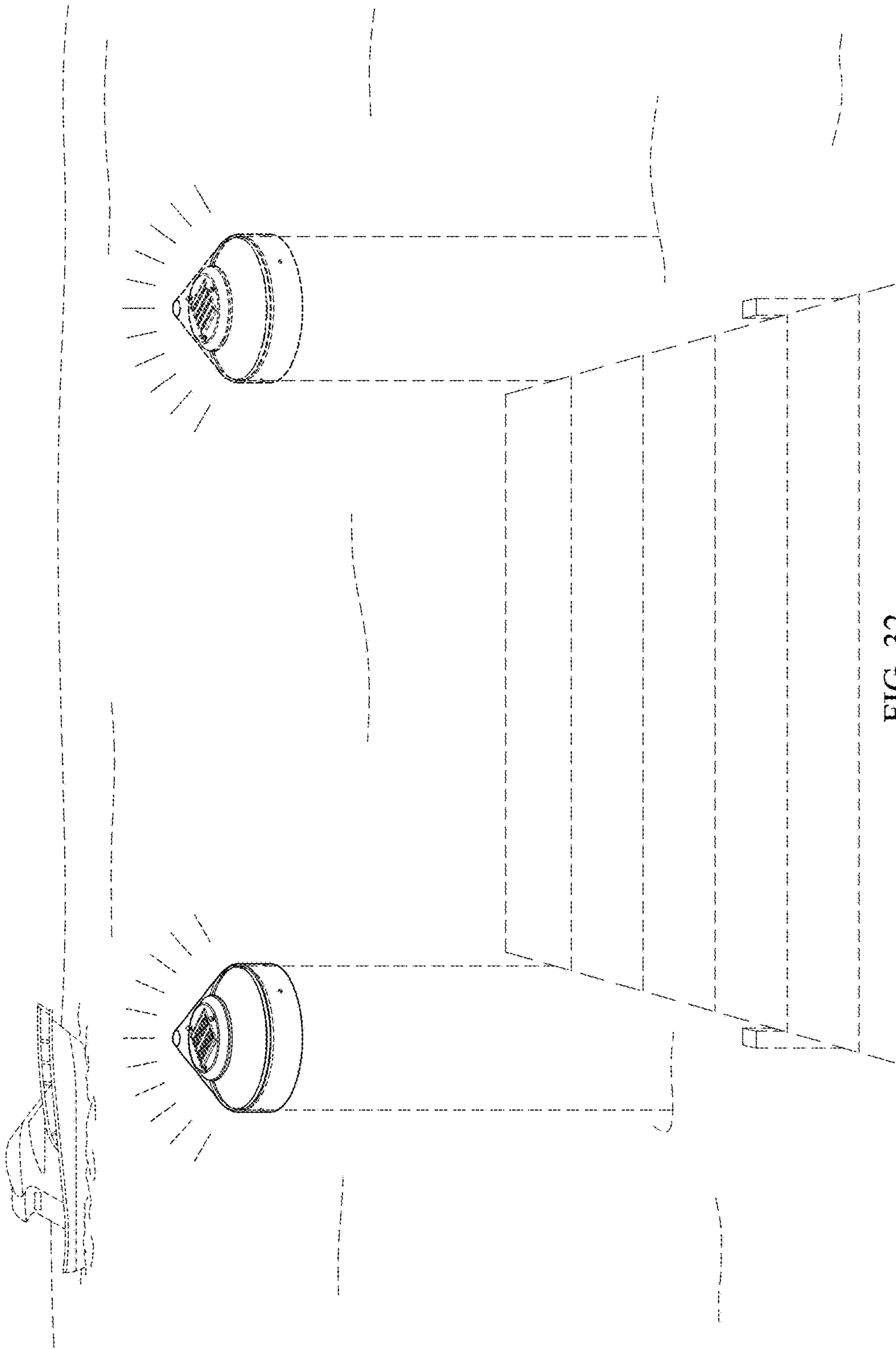


FIG. 32