



US00D857974S

(12) **United States Design Patent**
Rohland

(10) **Patent No.:** **US D857,974 S**

(45) **Date of Patent:** **** Aug. 27, 2019**

(54) **SEARCHLIGHT**

(71) Applicant: **Megaray Limited**, Randburg, Gauteng Province (ZA)

(72) Inventor: **Charles John Max Rohland**, Randburg (ZA)

(73) Assignee: **Megaray Limited**, Randburg (ZA)

(**) Term: **15 Years**

(21) Appl. No.: **29/618,817**

(22) Filed: **Sep. 25, 2017**

(51) **LOC (12) Cl.** **26-99**

(52) **U.S. Cl.**
USPC **D26/113; D26/63**

(58) **Field of Classification Search**
USPC D26/1, 24, 61, 63, 65, 85, 92, 113
CPC F21V 21/14; F21V 15/01; F21V 14/02;
F21V 21/30; F21V 21/00; F21V 14/00;
F21S 8/00; F21S 8/003; F21S 8/043;
F21Y 2105/001
See application file for complete search history.

(56) **References Cited**

U.S. PATENT DOCUMENTS

D426,335 S *	6/2000	Kulterer	D26/63
D437,954 S *	2/2001	Tang	D26/63
D623,327 S *	9/2010	Malkanov	D26/63

* cited by examiner

Primary Examiner — Brian N. Vinson

(74) *Attorney, Agent, or Firm* — McDonnell Boehnen Hulbert & Berghoff LLP

(57) **CLAIM**

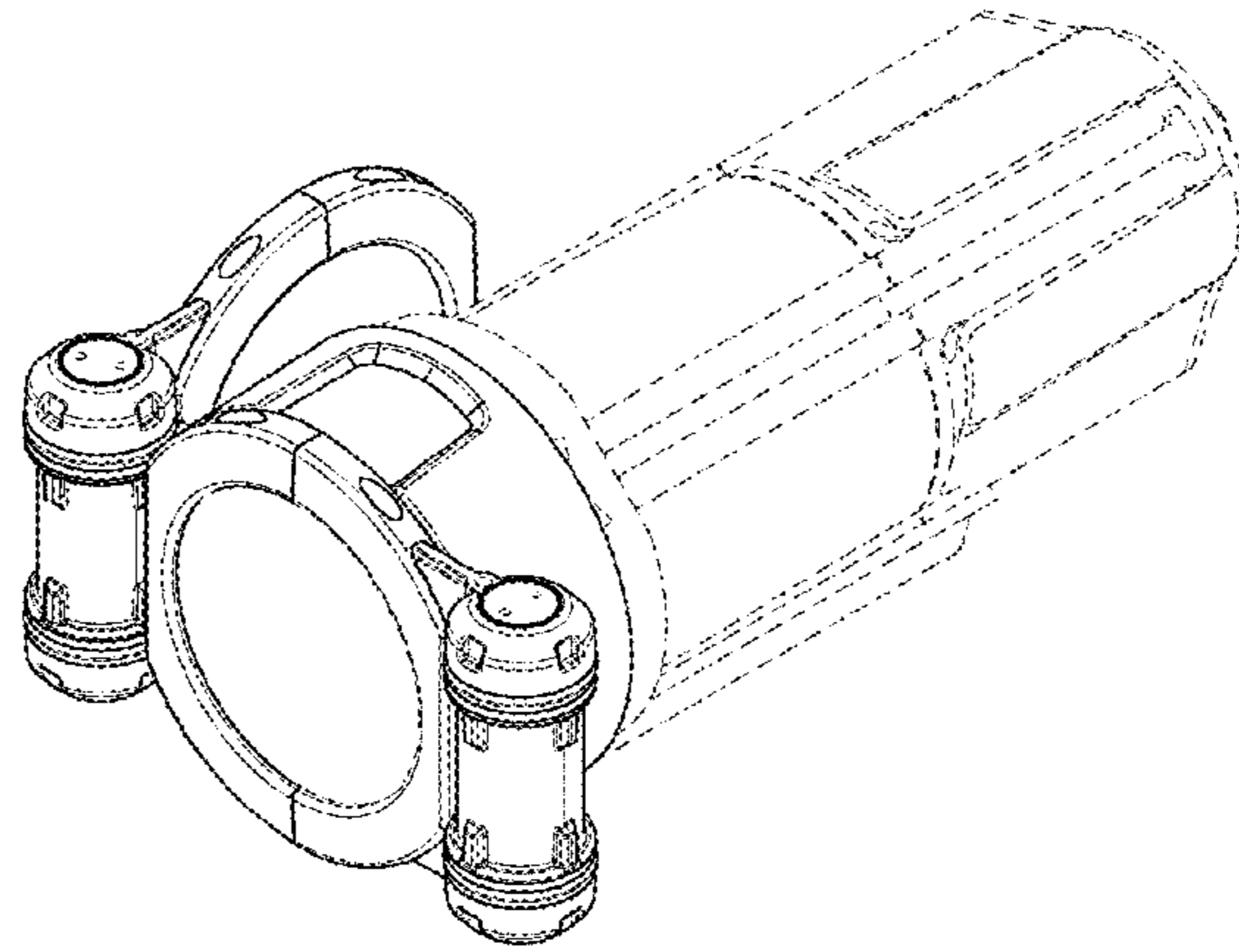
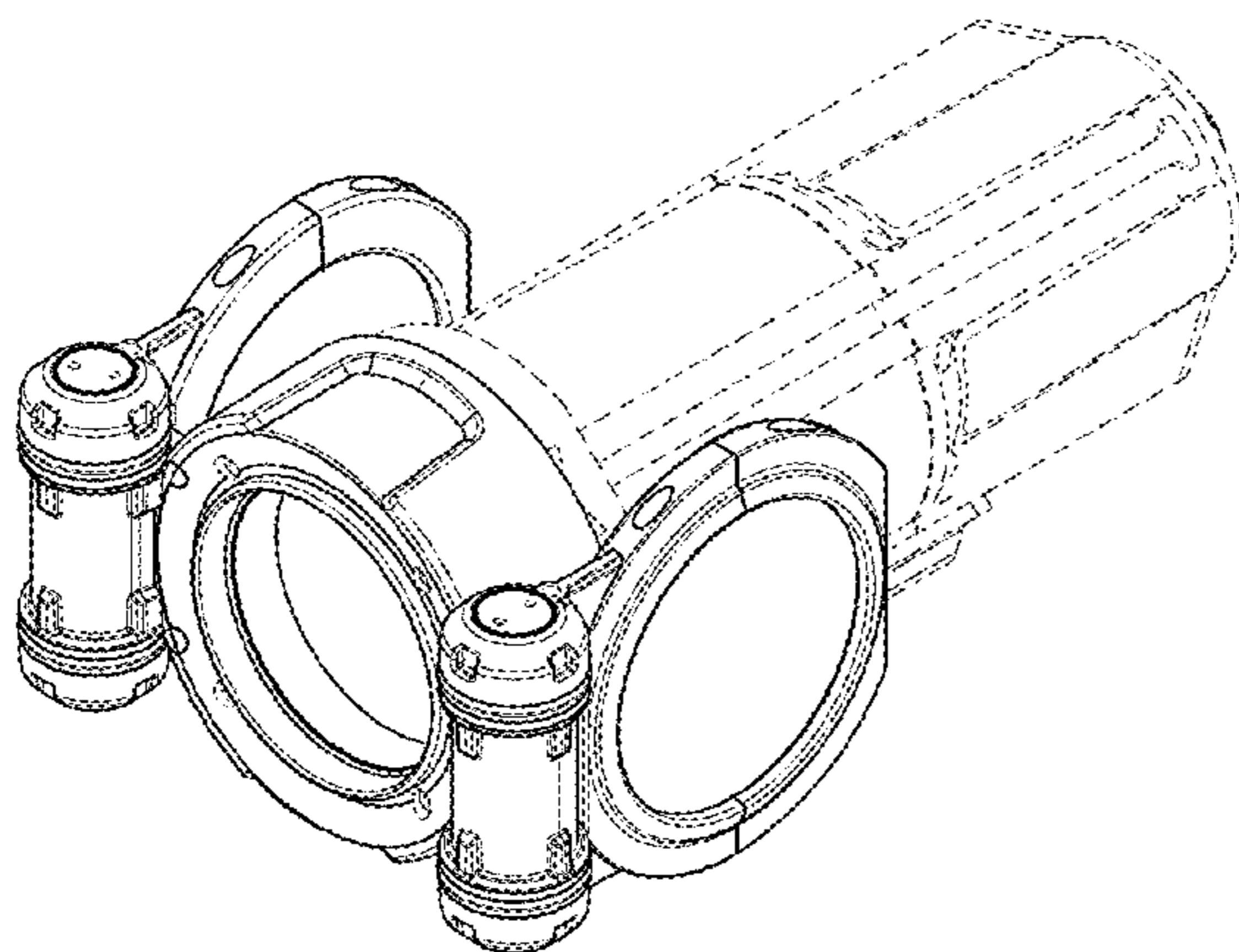
The ornamental design for a searchlight, as shown and described.

DESCRIPTION

FIG. 1 is a front perspective view of a searchlight showing the design with a right filter flap in a right open position and a left filter flap in a left open position;
 FIG. 2 is a top view of the searchlight showing the design of FIG. 1 with the right filter flap in the right open position and the left filter flap in the left open position;
 FIG. 3 is a bottom view of the searchlight showing the design of FIG. 1 with the right filter flap in the right open position and the left filter flap in the left open position;
 FIG. 4 is a right side view of the searchlight showing the design of FIG. 1 with the right filter flap in the right open position and the left filter flap in the left open position;
 FIG. 5 is a left side view of the searchlight showing the design of FIG. 1 with the right filter flap in the right open position and the left filter flap in the left open position;
 FIG. 6 is a front view of the searchlight showing the design of FIG. 1 with the right filter flap in the right open position and the left filter flap in the left open position;
 FIG. 7 is a rear view of the searchlight showing the design of FIG. 1 with the right filter flap in the right open position and the left filter flap in the left open position;
 FIG. 8 is a front perspective view of a searchlight showing the design of FIG. 1 with the right filter flap in a right closed position and the left filter flap in the left open position;
 FIG. 9 is a front perspective view of a searchlight showing the design of FIG. 1 with the right filter flap in the right open position and the left filter flap in a left closed position; and,
 FIG. 10 is a rear perspective view of a searchlight showing the design of FIG. 1 with the right filter flap in the right closed position and the left filter flap in the left open position.

The broken lines of FIGS. 1-10 illustrate portions of the searchlight that form no part of the claimed design.

1 Claim, 10 Drawing Sheets



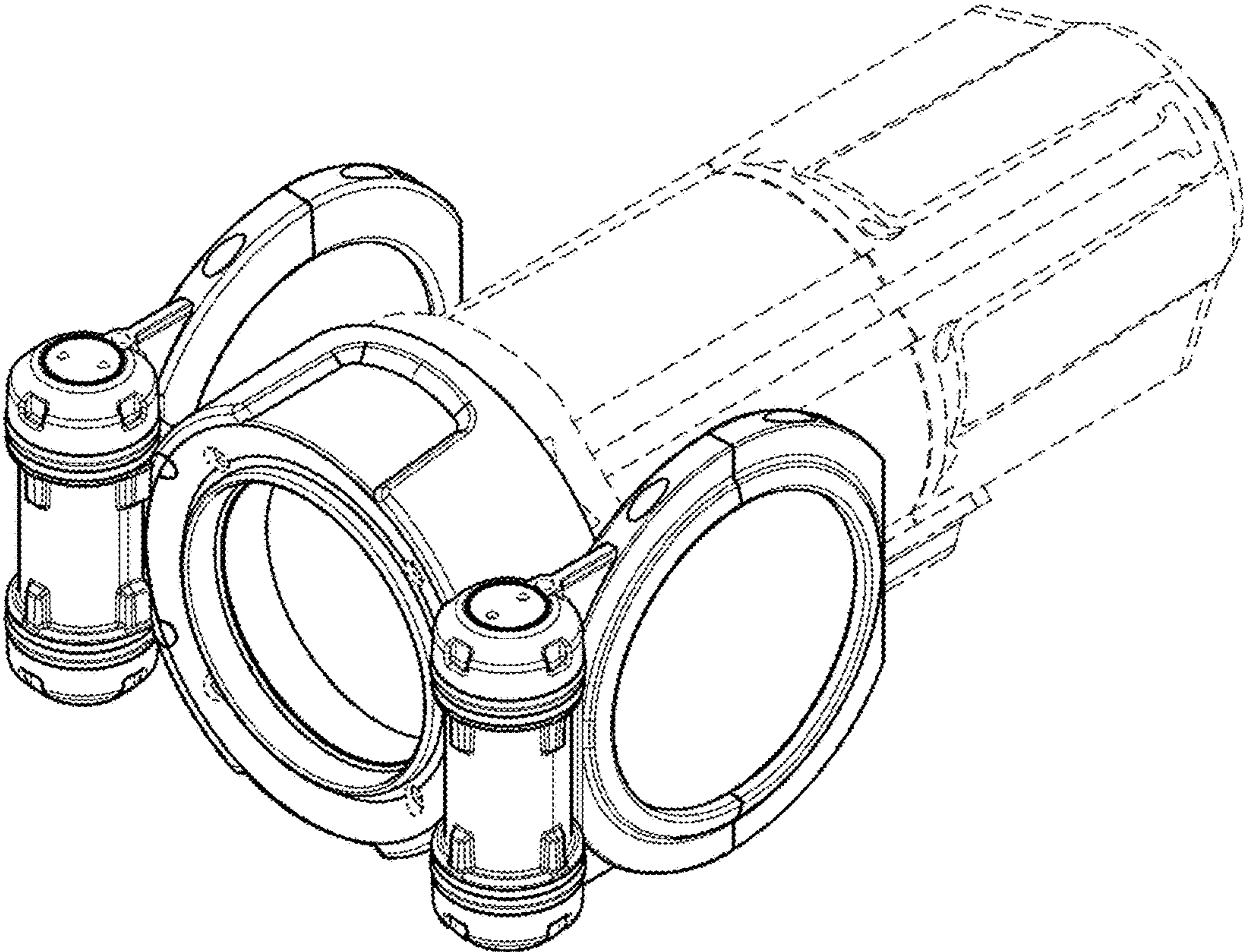


FIGURE 1

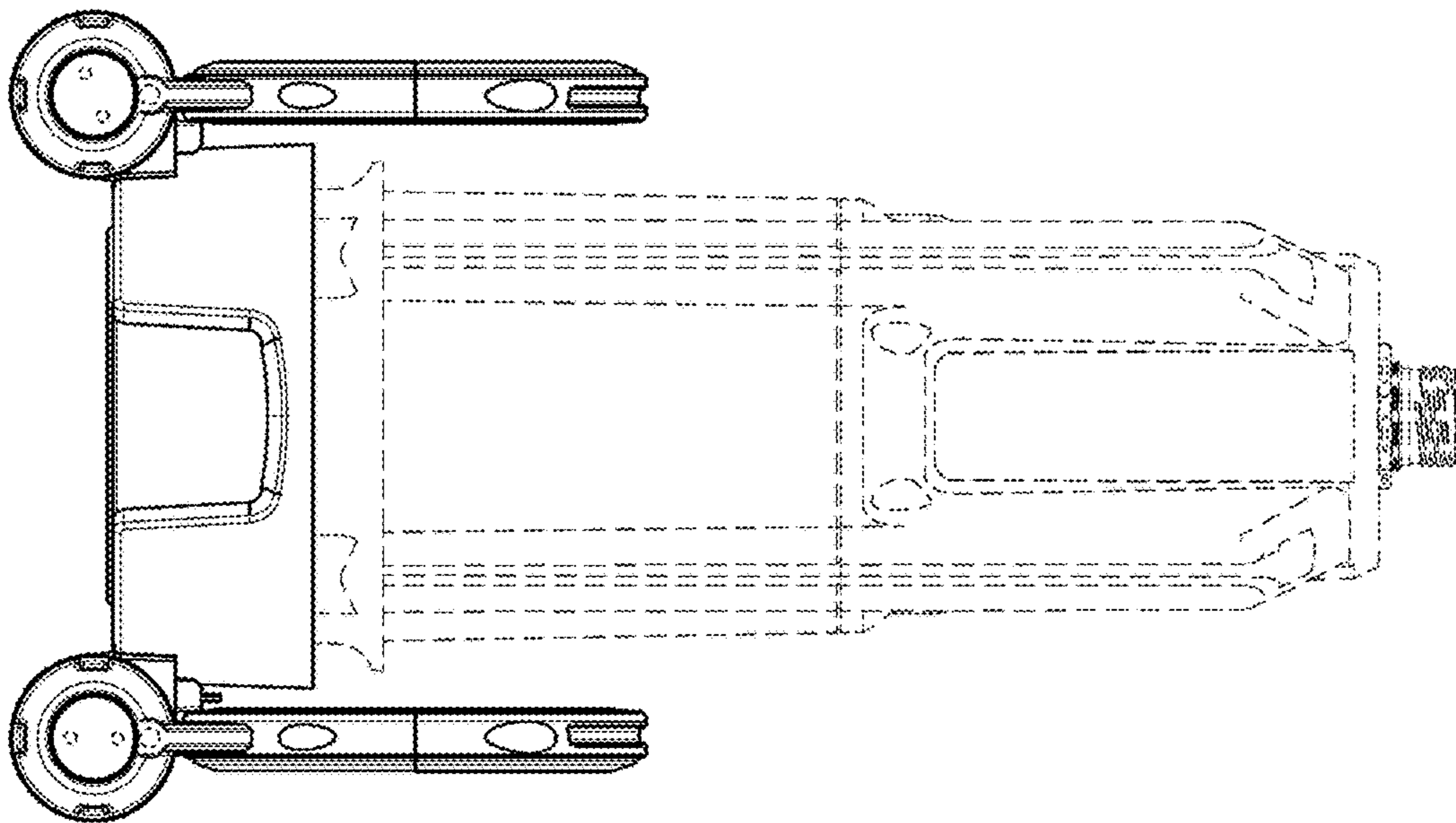


FIGURE 2

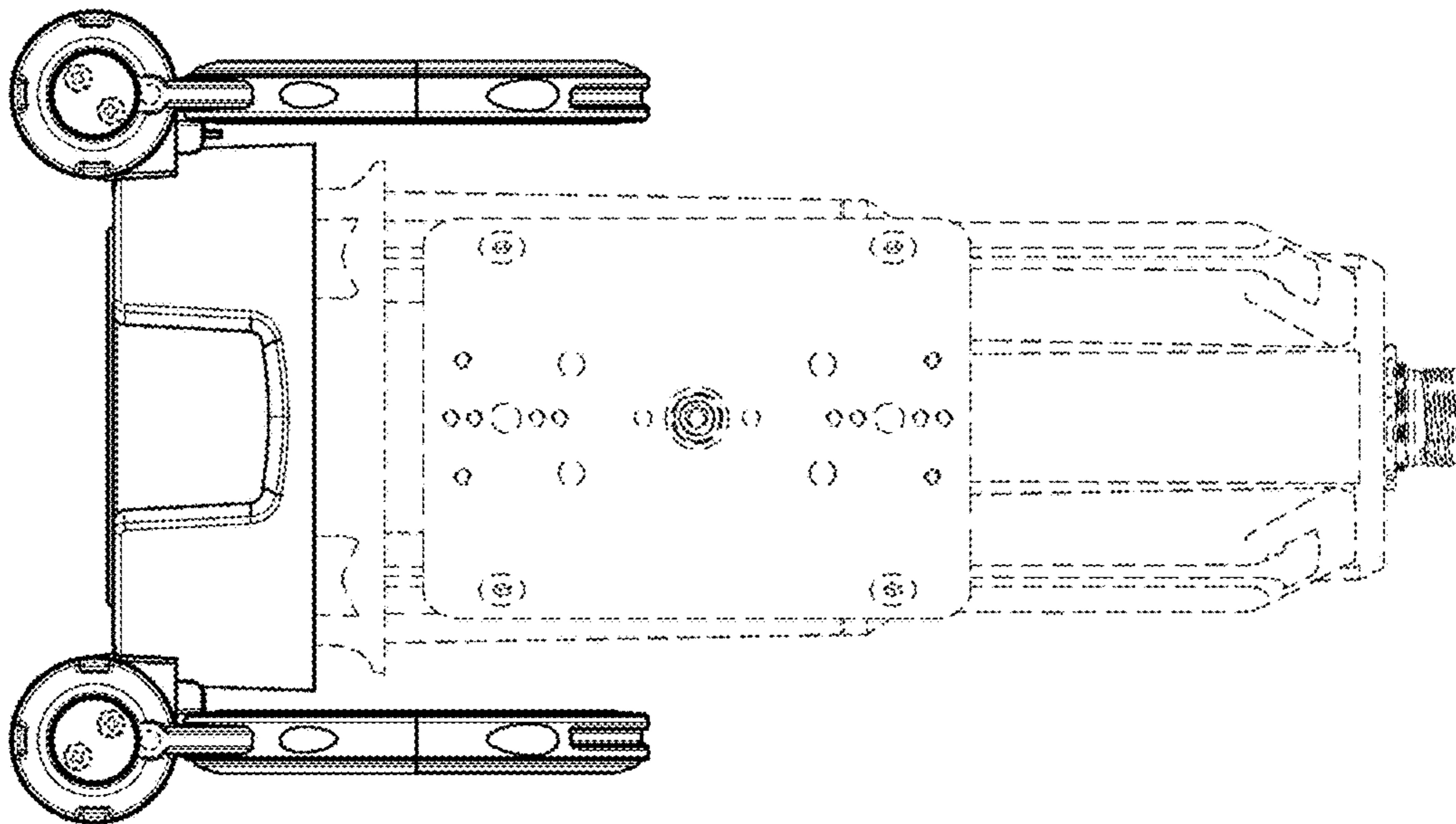


FIGURE 3

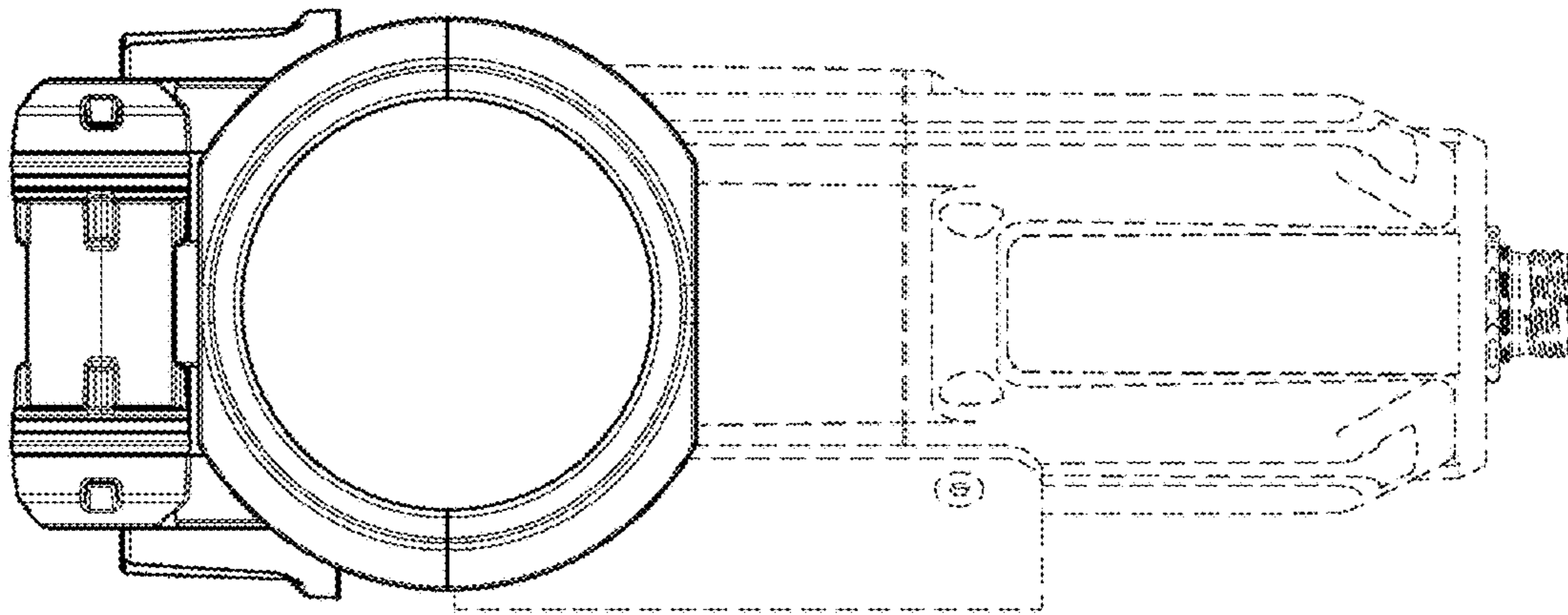


FIGURE 4

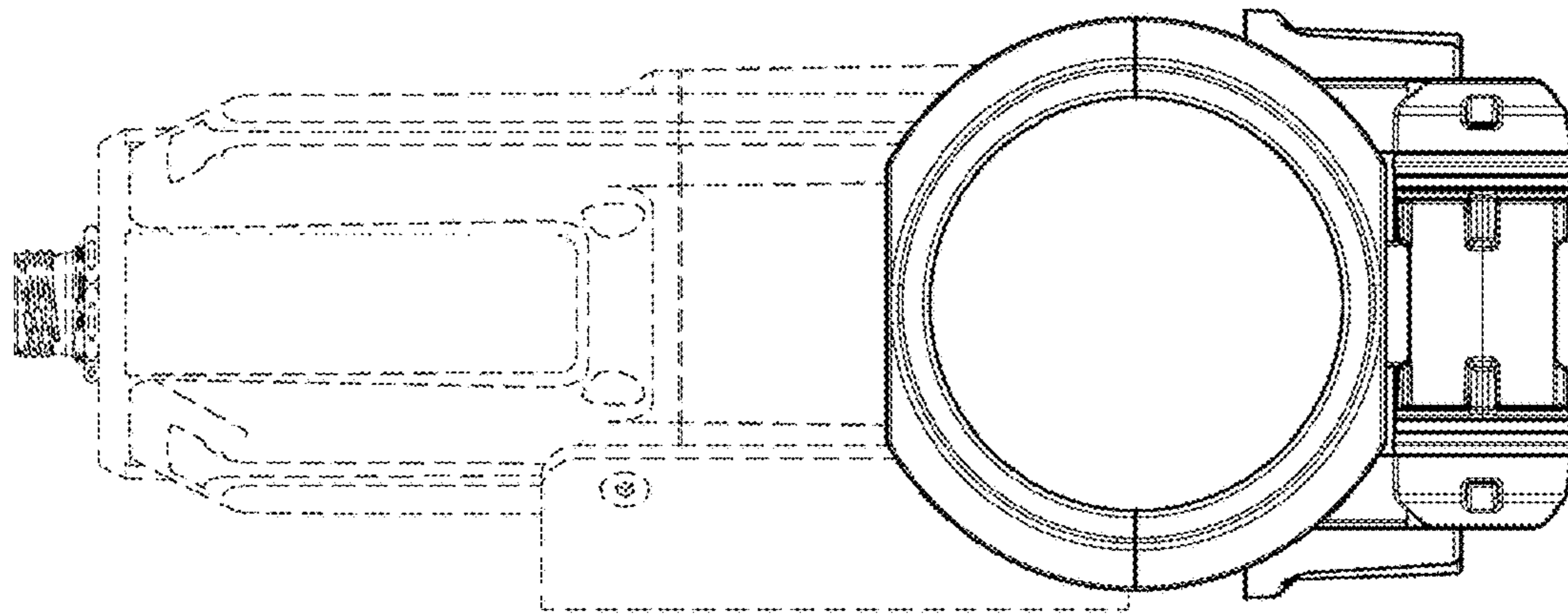


FIGURE 5

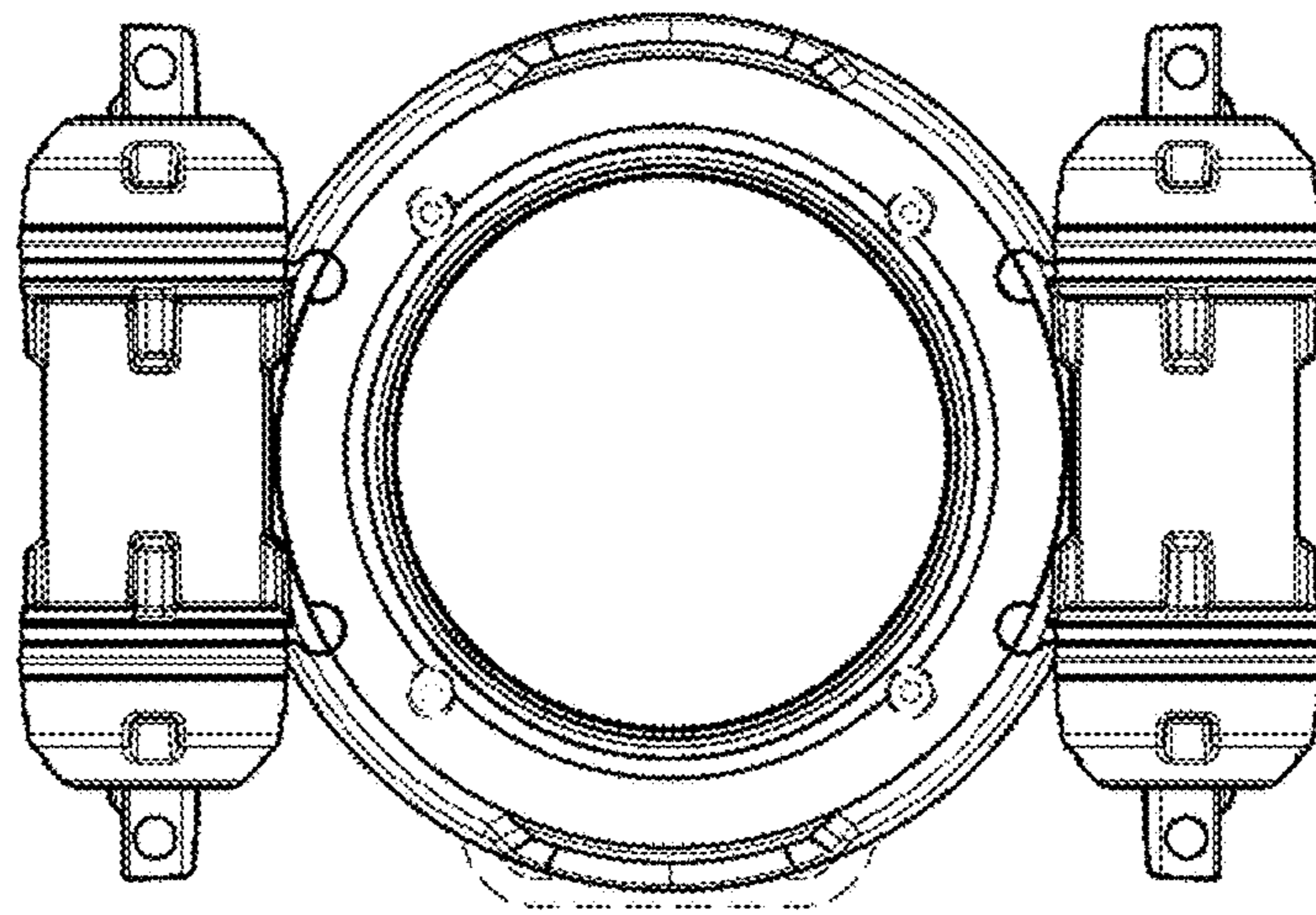


FIGURE 6

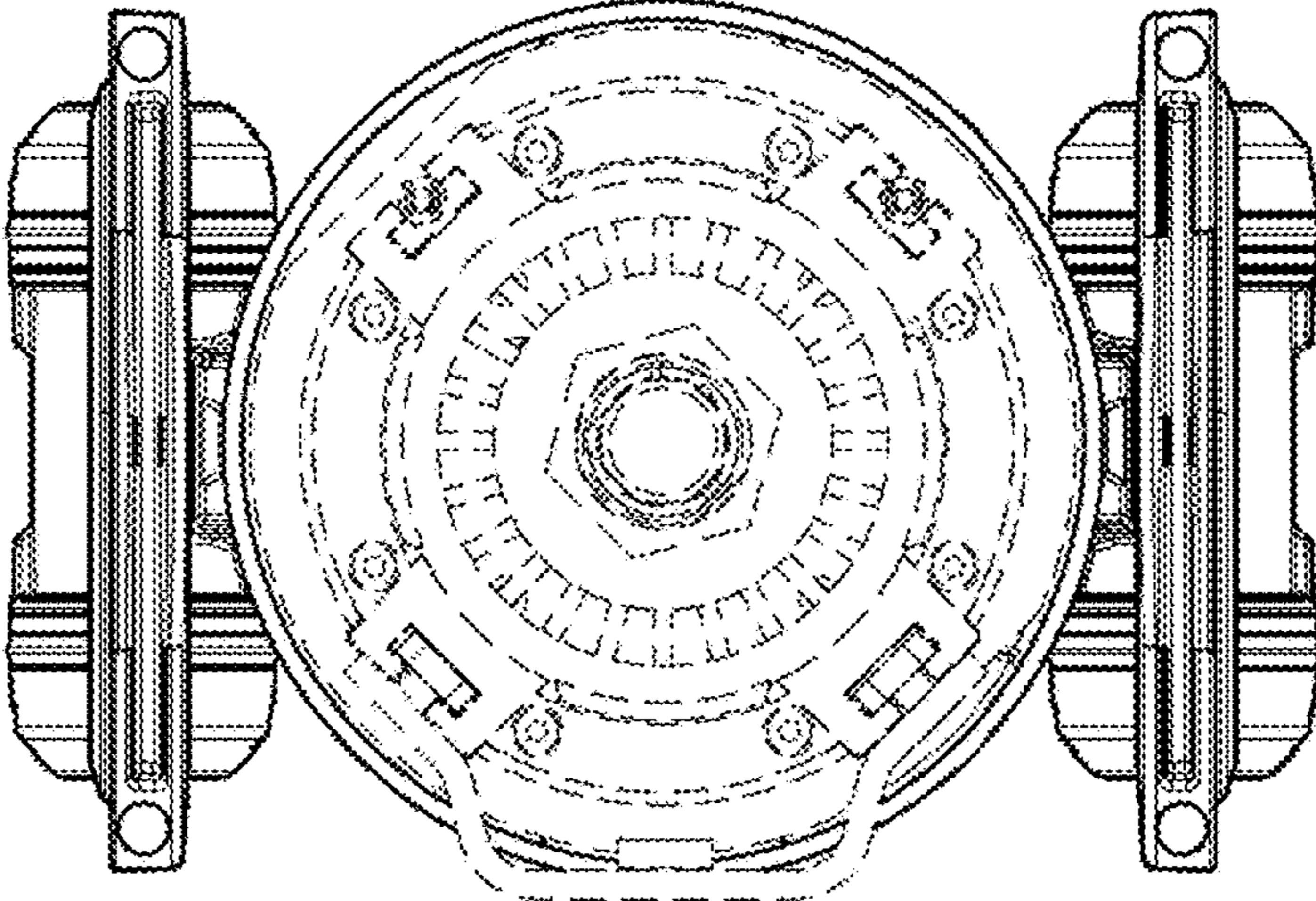


FIGURE 7

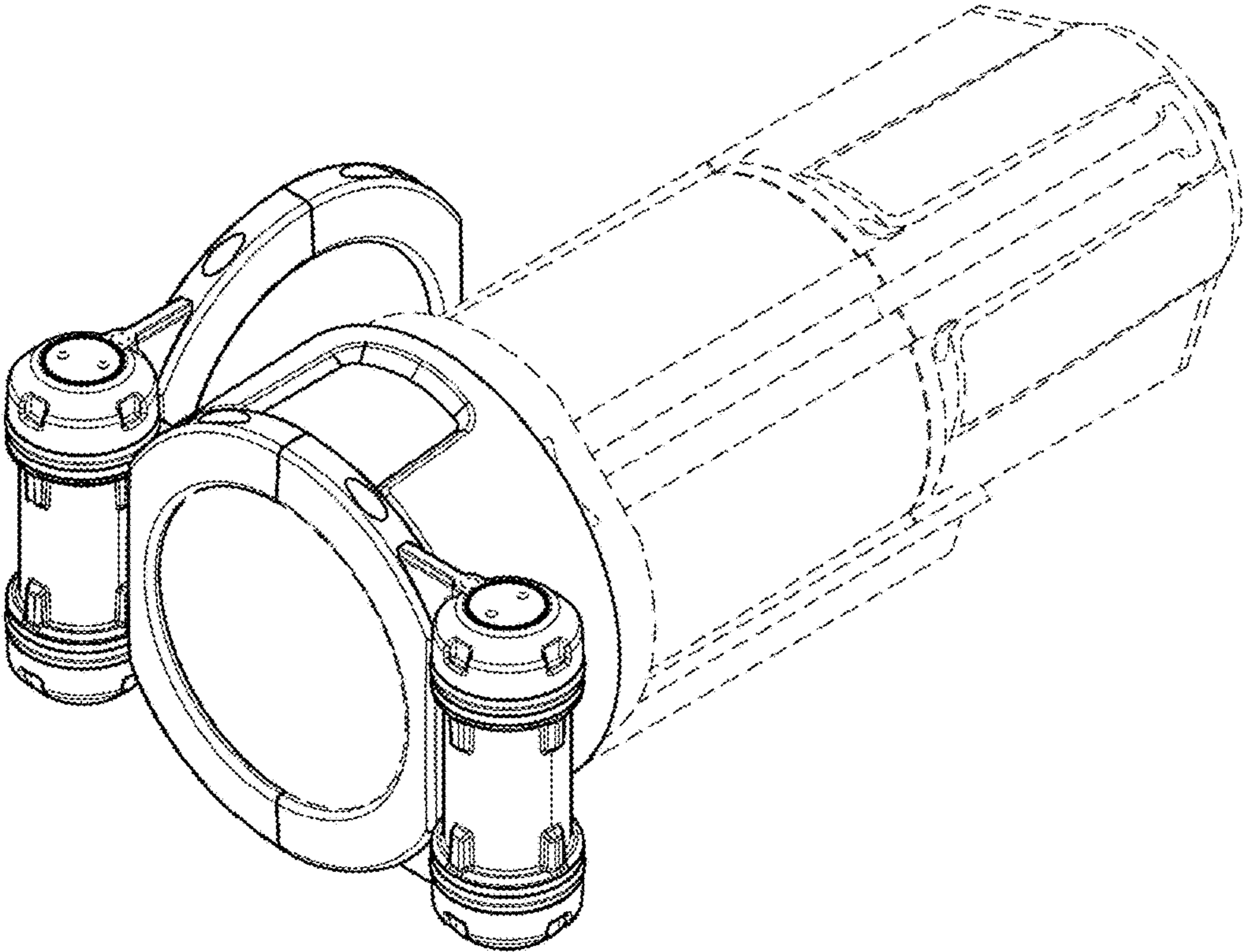


FIGURE 8

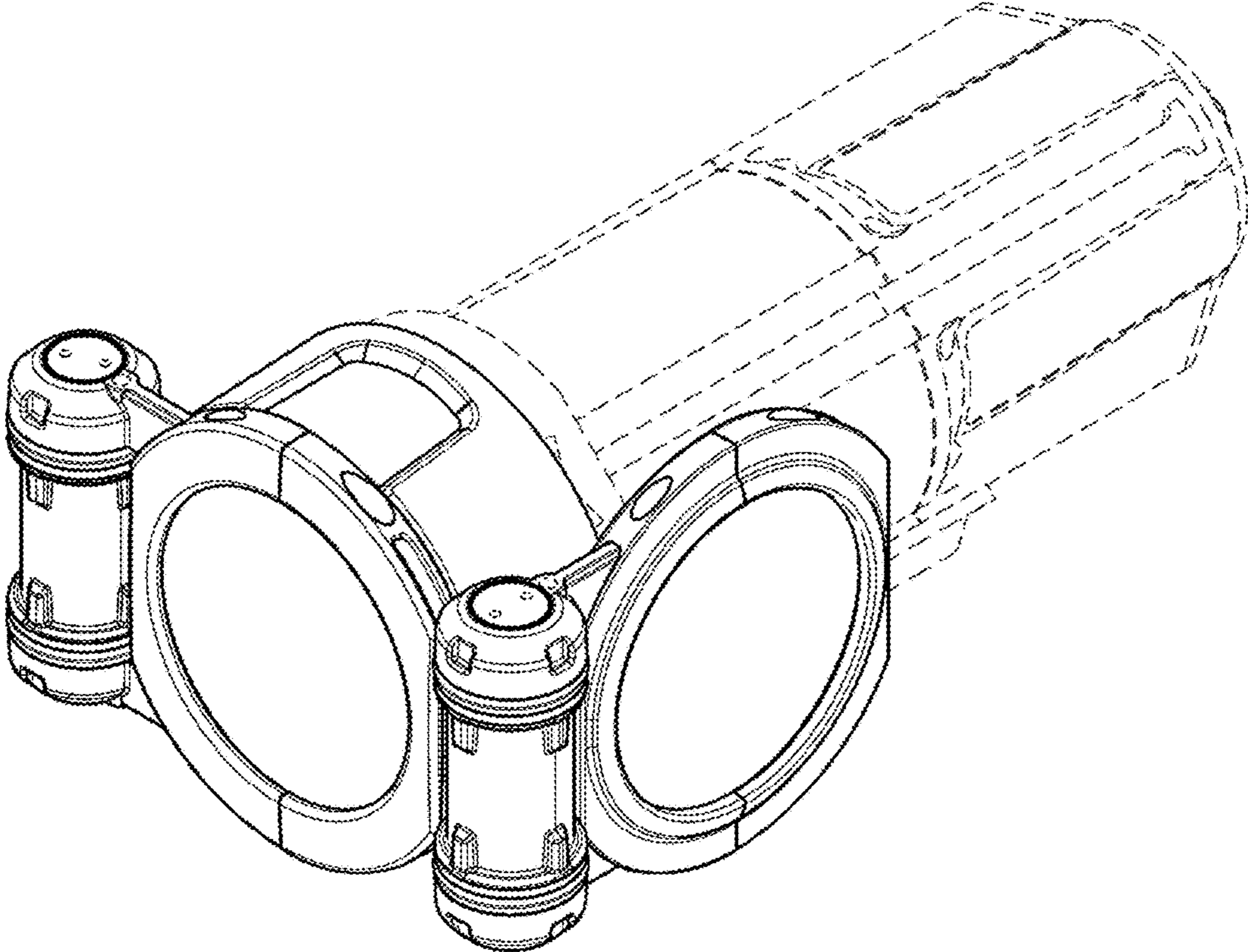


FIGURE 9

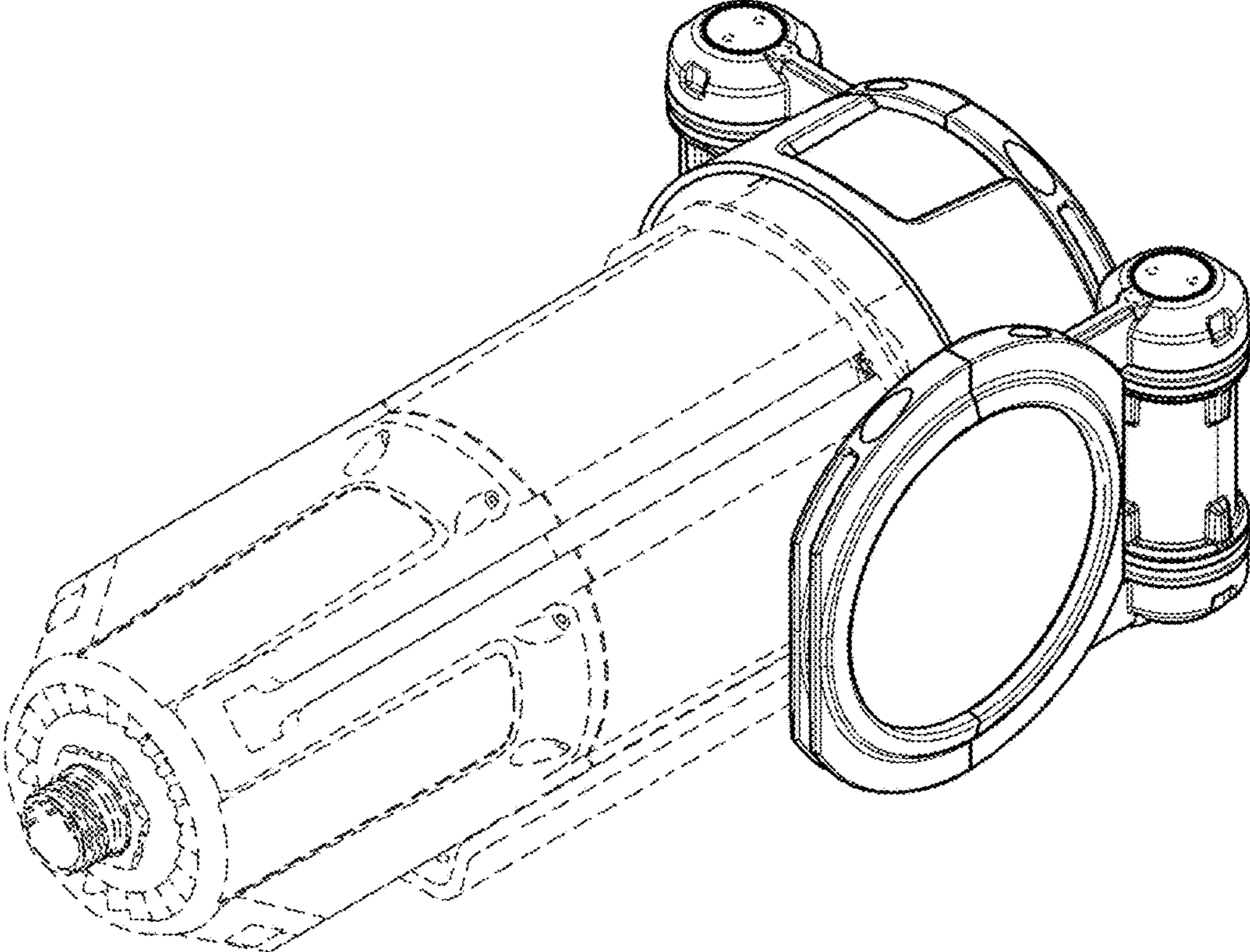


FIGURE 10