



US00D857973S

(12) **United States Design Patent**
Joiris

(10) **Patent No.:** **US D857,973 S**

(45) **Date of Patent:** **** Aug. 27, 2019**

(54) **PUBLIC LIGHTING FIXTURE**

(71) Applicant: **SCHREDER, S.A.**, Brussels (BE)

(72) Inventor: **M. Samuel Joiris**, Flemalle (BE)

(73) Assignee: **Schreder, S.A.**, Brussels (BE)

(**) Term: **15 Years**

(21) Appl. No.: **29/618,792**

(22) Filed: **Sep. 25, 2017**

(30) **Foreign Application Priority Data**

Mar. 24, 2017 (EM) 003822303

(51) **LOC (12) Cl.** **26-03**

(52) **U.S. Cl.**
USPC **D26/113; D26/92**

(58) **Field of Classification Search**
USPC D13/134-136; D26/67, 68, 71, 72, 87,
D26/92
CPC .. F21S 8/036; F21S 8/038; F21S 8/043; F21S
8/081; F21S 8/083; F21S 8/085; F21S
8/086; F21S 8/088; F21S 13/10; F21S
9/03; F21S 9/035; F21S 9/037; F21S
10/063

See application file for complete search history.

(56) **References Cited**

U.S. PATENT DOCUMENTS

D616,592 S * 5/2010 Chen D26/71
D634,875 S * 3/2011 Jiang D26/71

D648,885 S * 11/2011 Toratani D26/71
D672,492 S * 12/2012 Butler D26/71
D785,231 S * 4/2017 Shundong D26/92
D807,552 S * 1/2018 Iguchi D26/72
D819,859 S * 6/2018 Zou D26/71
D822,261 S * 7/2018 Demuynck D26/92
D822,868 S * 7/2018 Liu D26/71

* cited by examiner

Primary Examiner — Brian N. Vinson

(74) *Attorney, Agent, or Firm* — Kirschstein, Israel,
Schiffmiller & Pieroni, P.C.

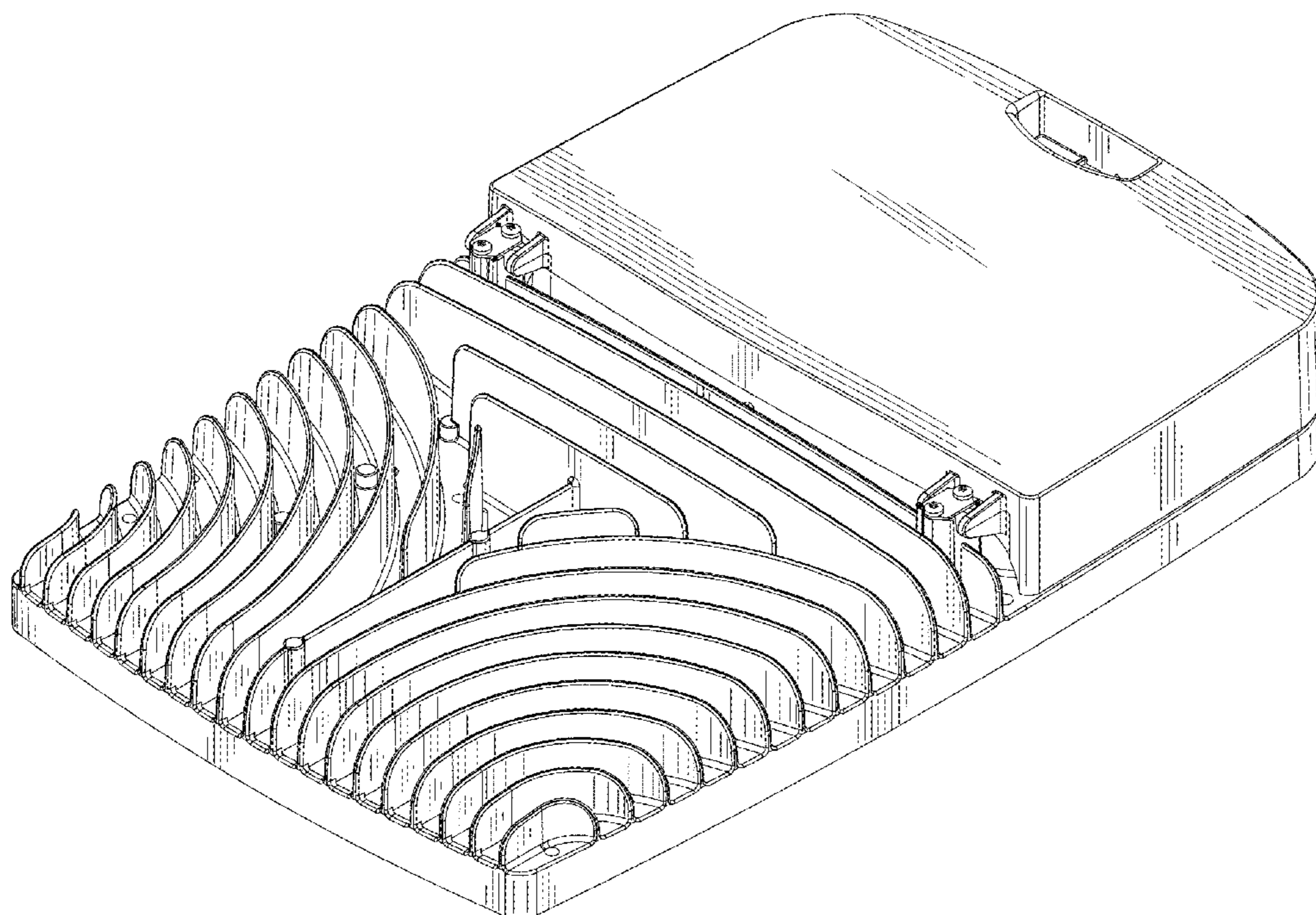
(57) **CLAIM**

The ornamental design for a public lighting fixture, as shown and described.

DESCRIPTION

FIG. 1 is a perspective view of a public lighting fixture as seen from above according to my new design.
FIG. 2 is a perspective view thereof as seen from below.
FIG. 3 is a top plan view thereof.
FIG. 4 is a bottom plan view thereof.
FIG. 5 is a rear elevational view thereof.
FIG. 6 is a front elevational view thereof; and,
FIG. 7 is a right side elevational view thereof, the left side being a mirror image.

1 Claim, 7 Drawing Sheets



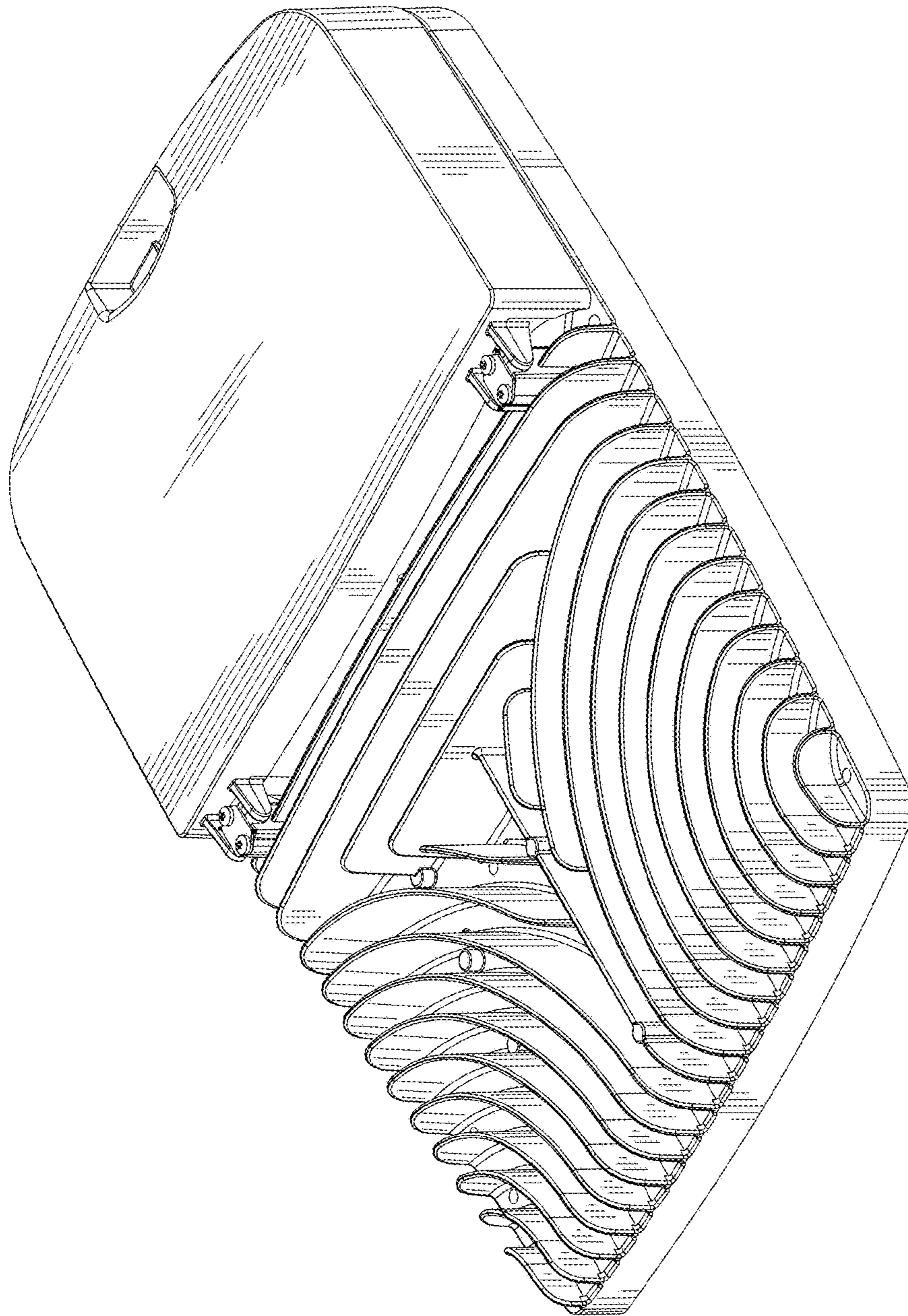


FIG. 1

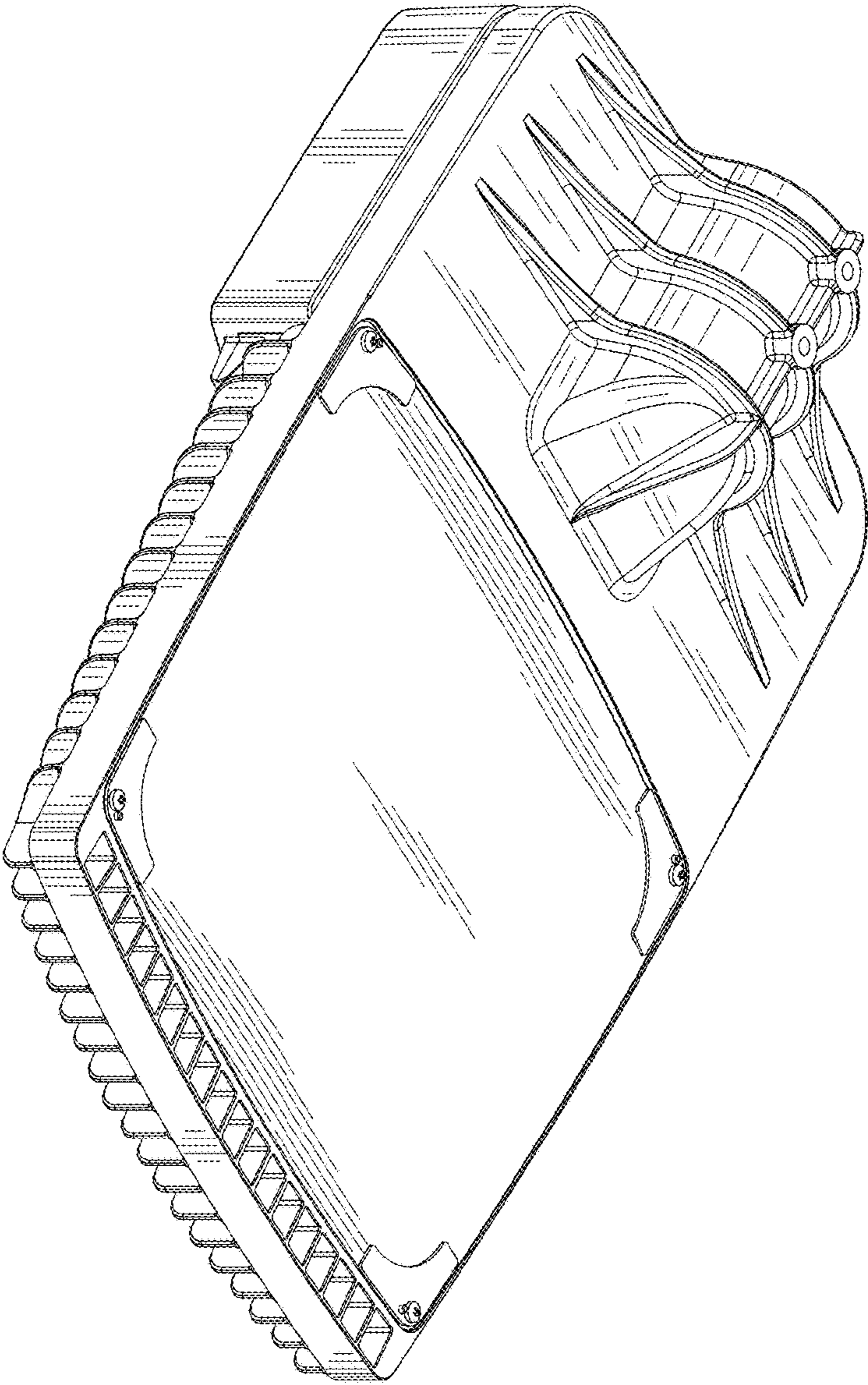


FIG. 2

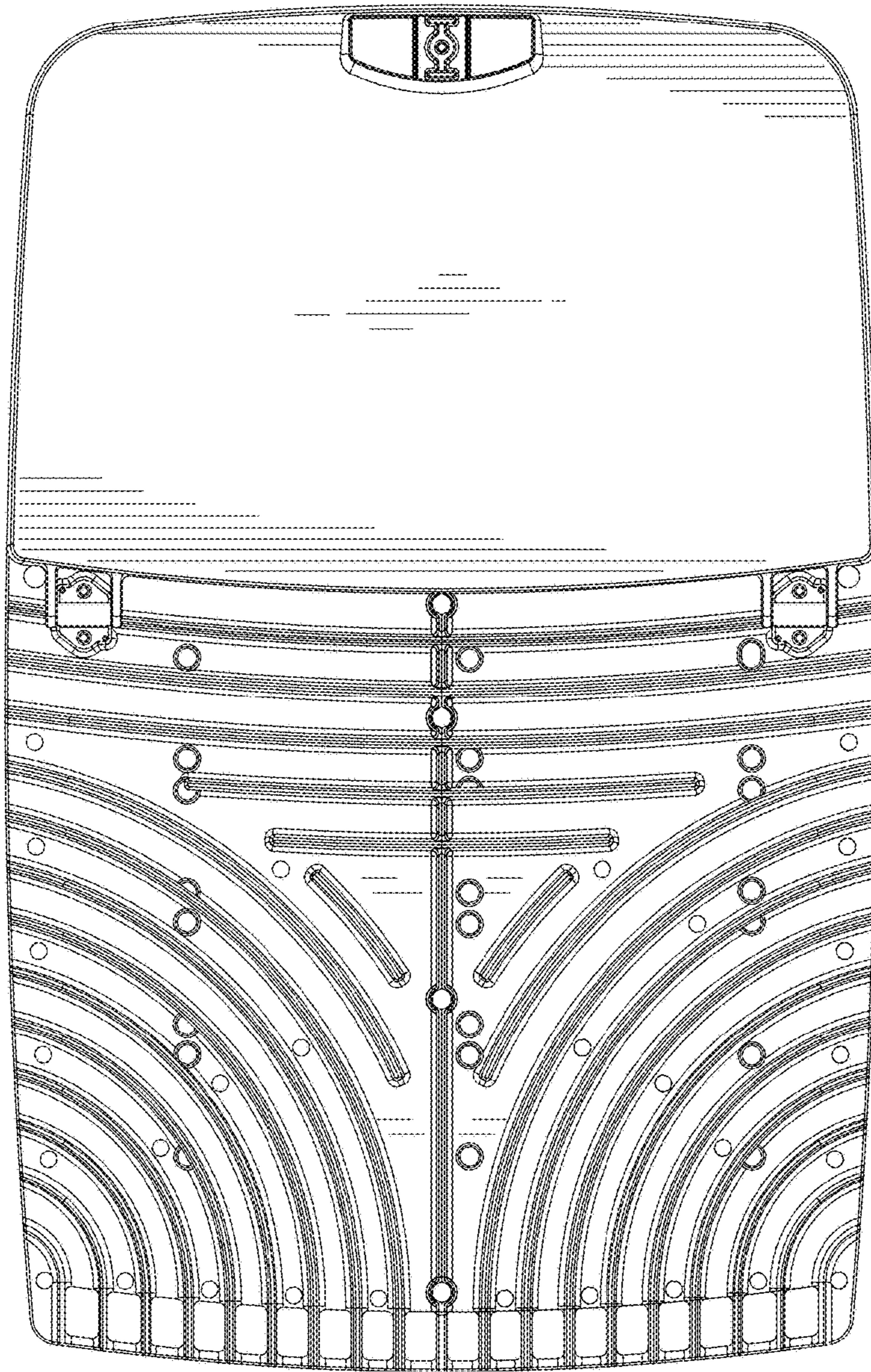


FIG. 3

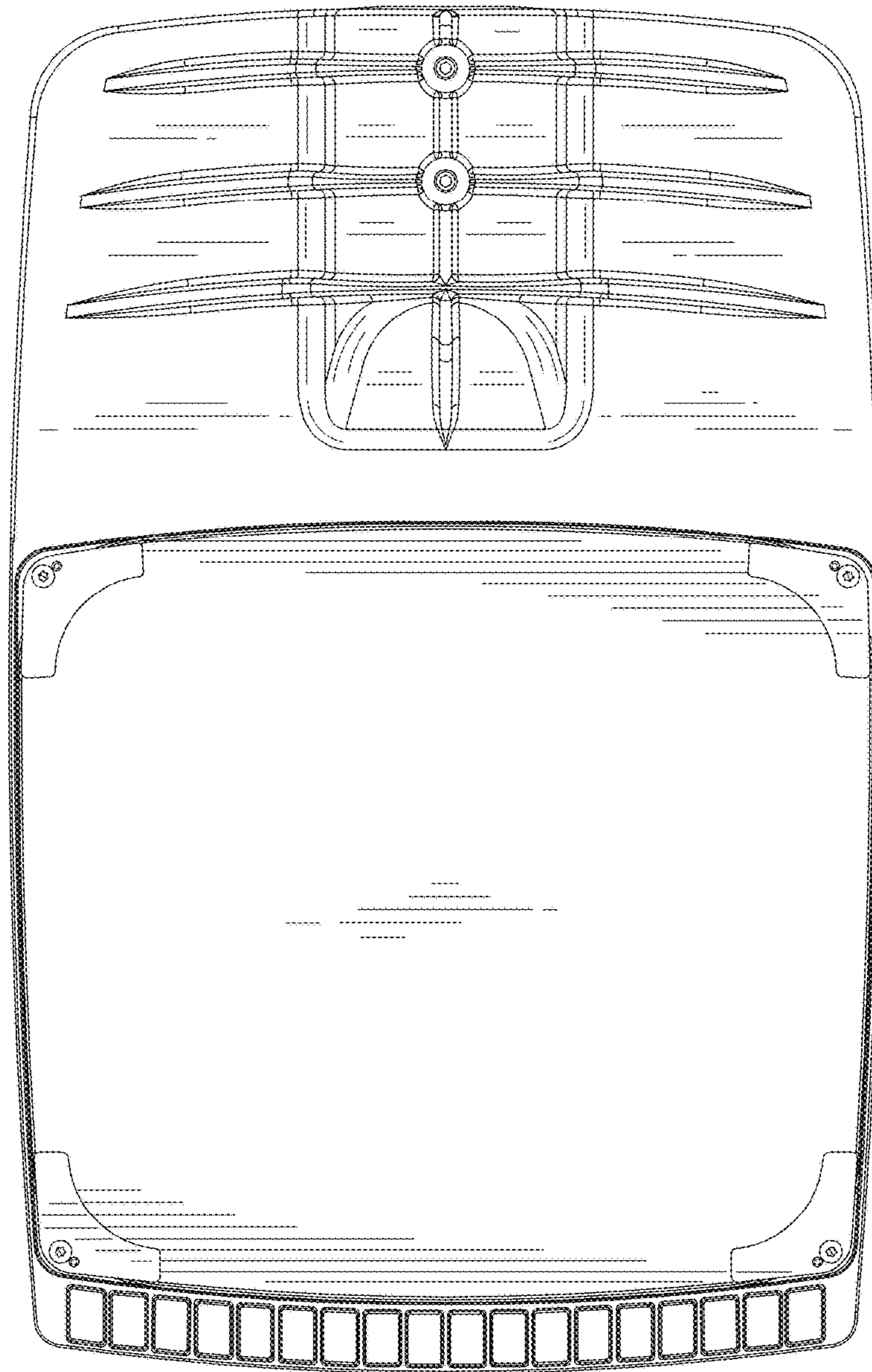


FIG. 4

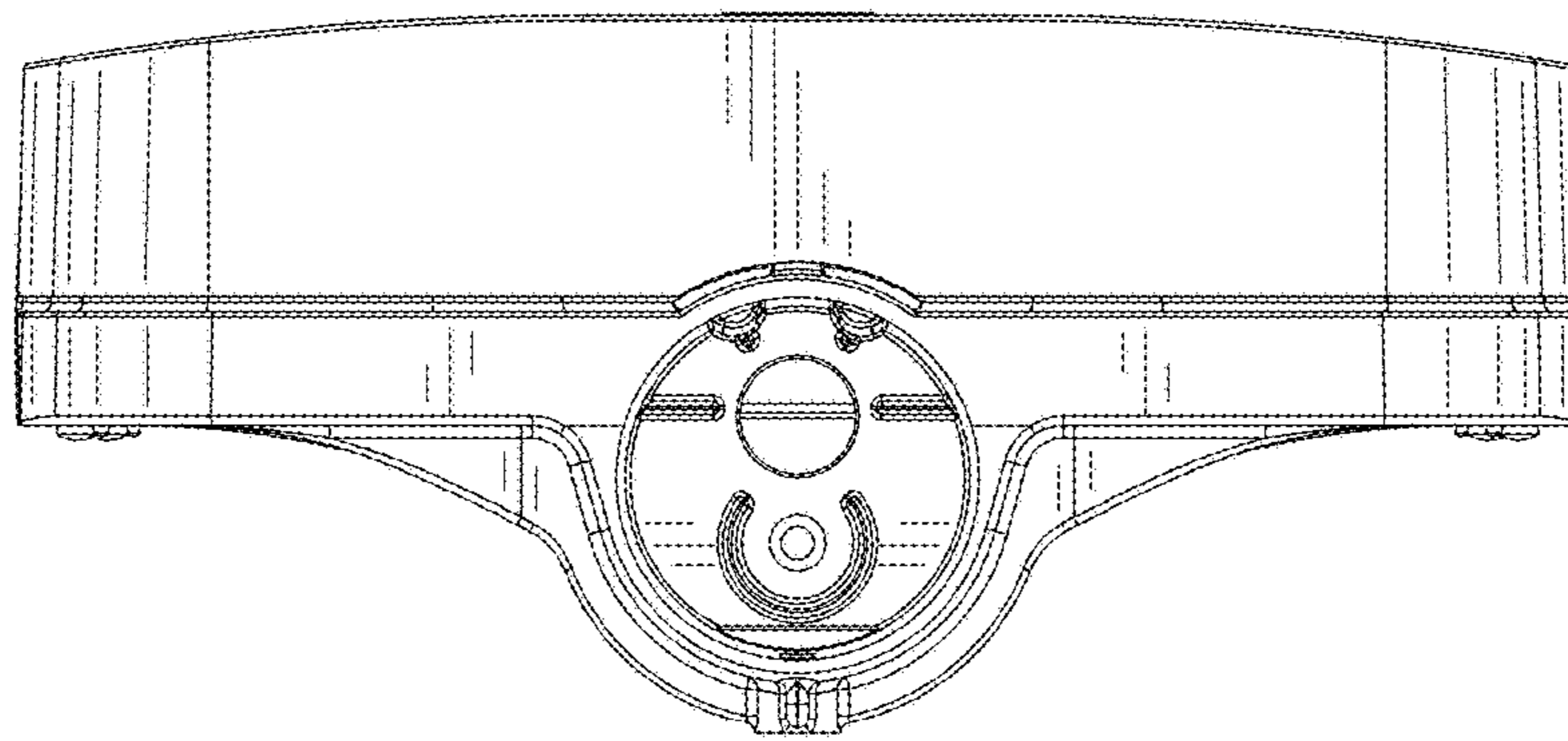


FIG. 5

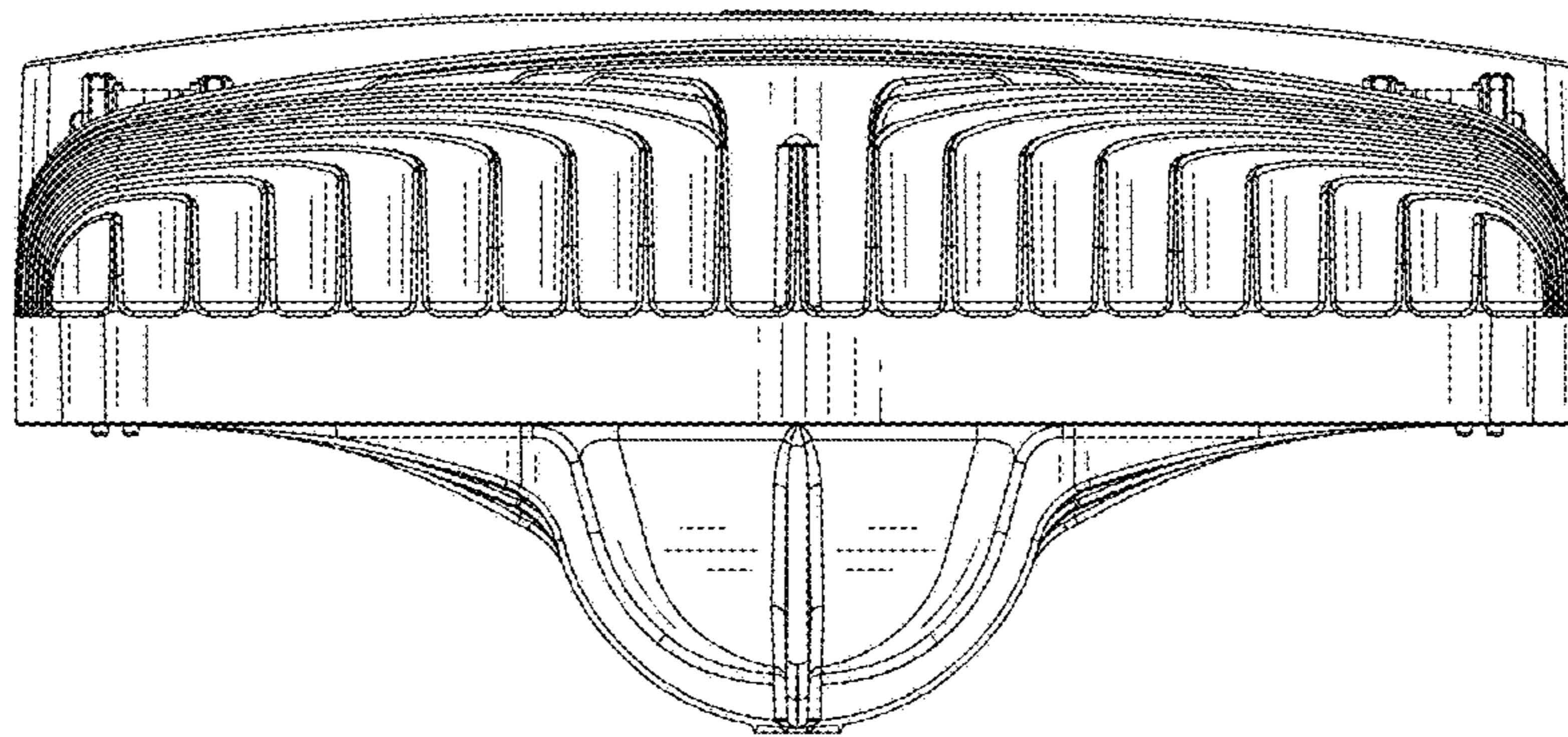


FIG. 6

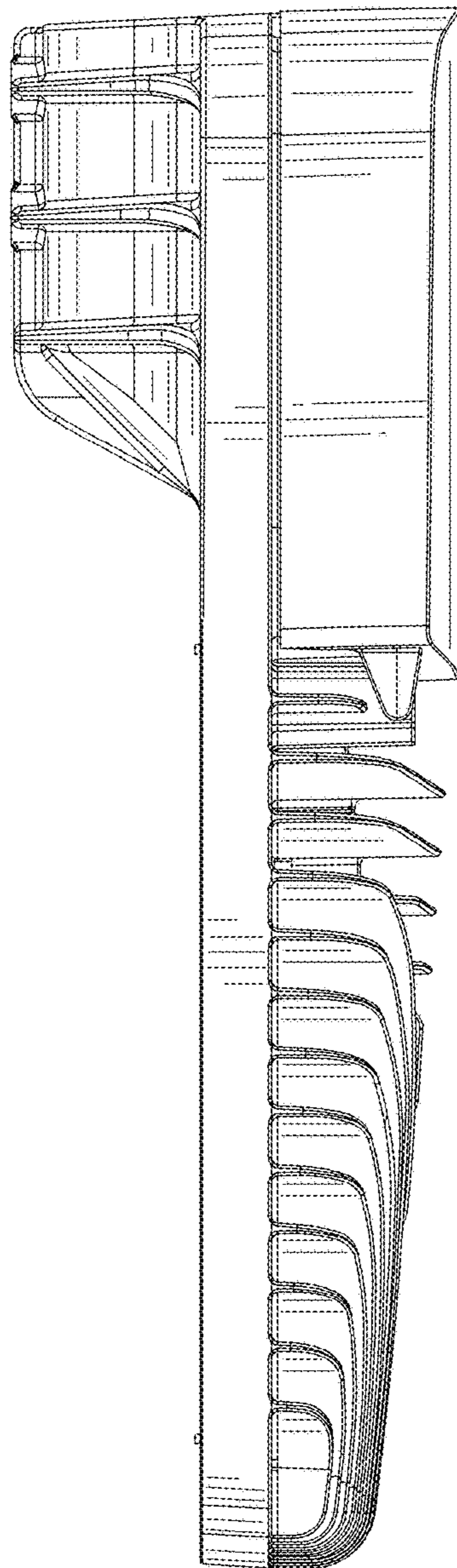


FIG. 7