



US00D857968S

(12) **United States Design Patent**
Sheridan

(10) **Patent No.:** **US D857,968 S**

(45) **Date of Patent:** **** Aug. 27, 2019**

(54) **LIGHT FIXTURE**

(71) Applicant: **Cerno, LLC**, Irvine, CA (US)

(72) Inventor: **Nick Sheridan**, Irvine, CA (US)

(73) Assignee: **Cerno, LLC**, Irvine, CA (US)

(**) Term: **15 Years**

(21) Appl. No.: **29/641,299**

(22) Filed: **Mar. 21, 2018**

(51) **LOC (12) Cl.** **26-03**

(52) **U.S. Cl.**
USPC **D26/88; D26/91**

(58) **Field of Classification Search**
USPC D26/72, 76, 78, 85, 88, 90, 91, 118
CPC F21S 8/03; F21S 8/04; F21S 8/043; F21S
8/046; F21S 8/06; F21S 8/063; F21S
8/065; F21S 8/068
See application file for complete search history.

(56) **References Cited**

U.S. PATENT DOCUMENTS

D77,556 S *	1/1929	Kopp	D11/143
D180,533 S *	6/1957	Stevens	D26/76
D455,516 S *	4/2002	Casciani	D26/76
D500,878 S *	1/2005	Lewis	D26/76
D638,982 S *	5/2011	Friedman	D26/118
D639,487 S *	6/2011	Baylar	D26/88
D664,282 S *	7/2012	Santoro	D26/76
D669,209 S *	10/2012	Choi	D26/90
D731,104 S *	6/2015	Miyake	D26/88

D776,855 S *	1/2017	Rashid	D26/76
D806,927 S *	1/2018	Rashid	D26/76
D825,819 S *	8/2018	Sonneman	D26/90
D826,462 S *	8/2018	Sonneman	D26/90

OTHER PUBLICATIONS

LENIS Linear Pendant from cernogroup.com, Tear sheet © Oct. 2018. (Year: 2018).*
Modern Waves LED Island Chandelier SKU: CH18093 from shadesoflight.com, visited Mar. 29, 2019. (Year: 2019).*

* cited by examiner

Primary Examiner — Clare E Heflin

(74) *Attorney, Agent, or Firm* — Stetina, Brunda, Garred and Brucker

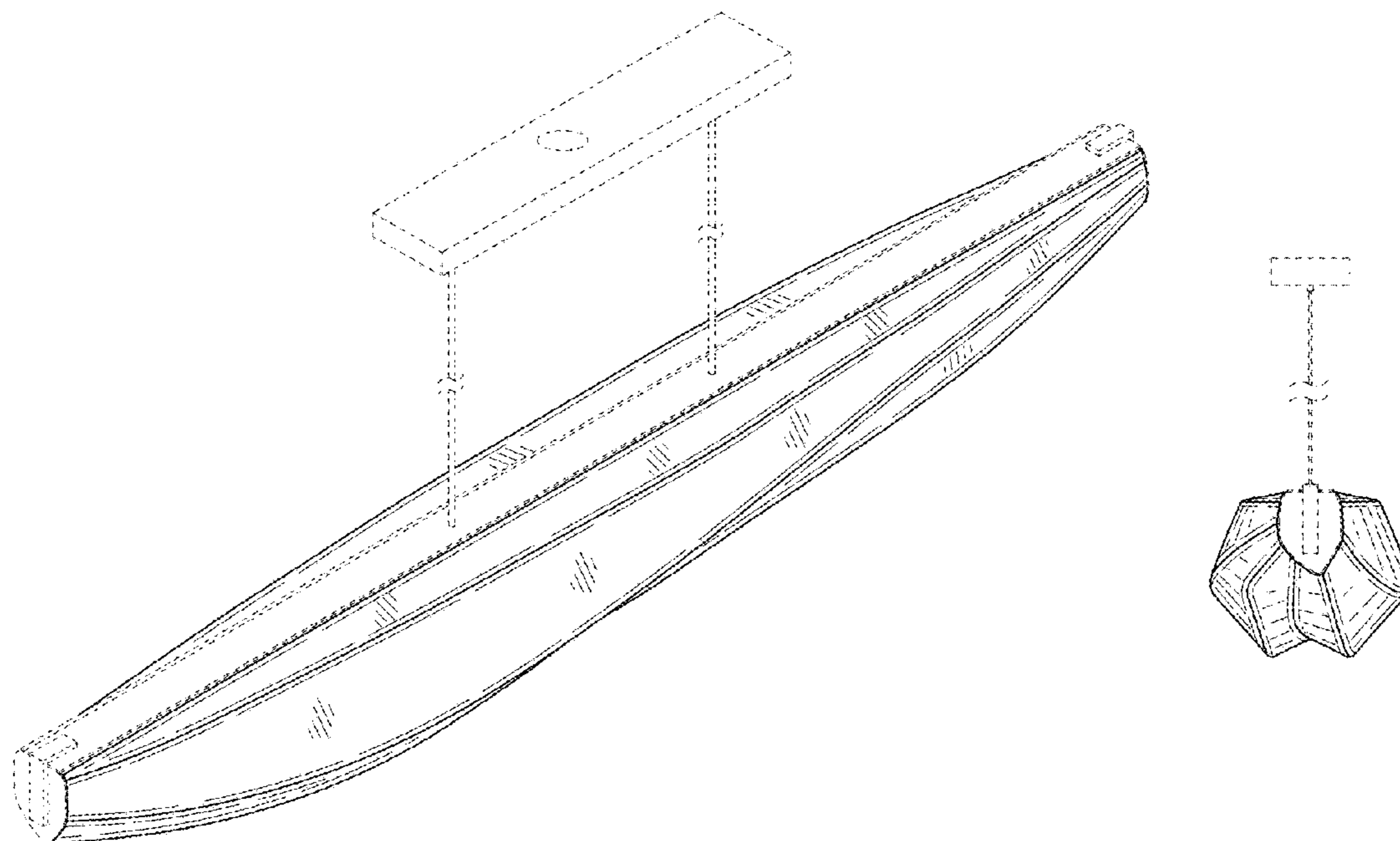
(57) **CLAIM**

The ornamental design for a light fixture, as shown and described.

DESCRIPTION

FIG. 1 is an upper perspective view of the light fixture of the present invention showing my new design;
FIG. 2 is a lower perspective view thereof;
FIG. 3 is a top view thereof;
FIG. 4 is a front view thereof;
FIG. 5 is a first side view thereof;
FIG. 6 is a second side view thereof opposite that shown in FIG. 5;
FIG. 7 is a rear view thereof; and,
FIG. 8 is a bottom view thereof.
The broken lines in the drawings illustrate features that form no part of the claimed design.

1 Claim, 3 Drawing Sheets



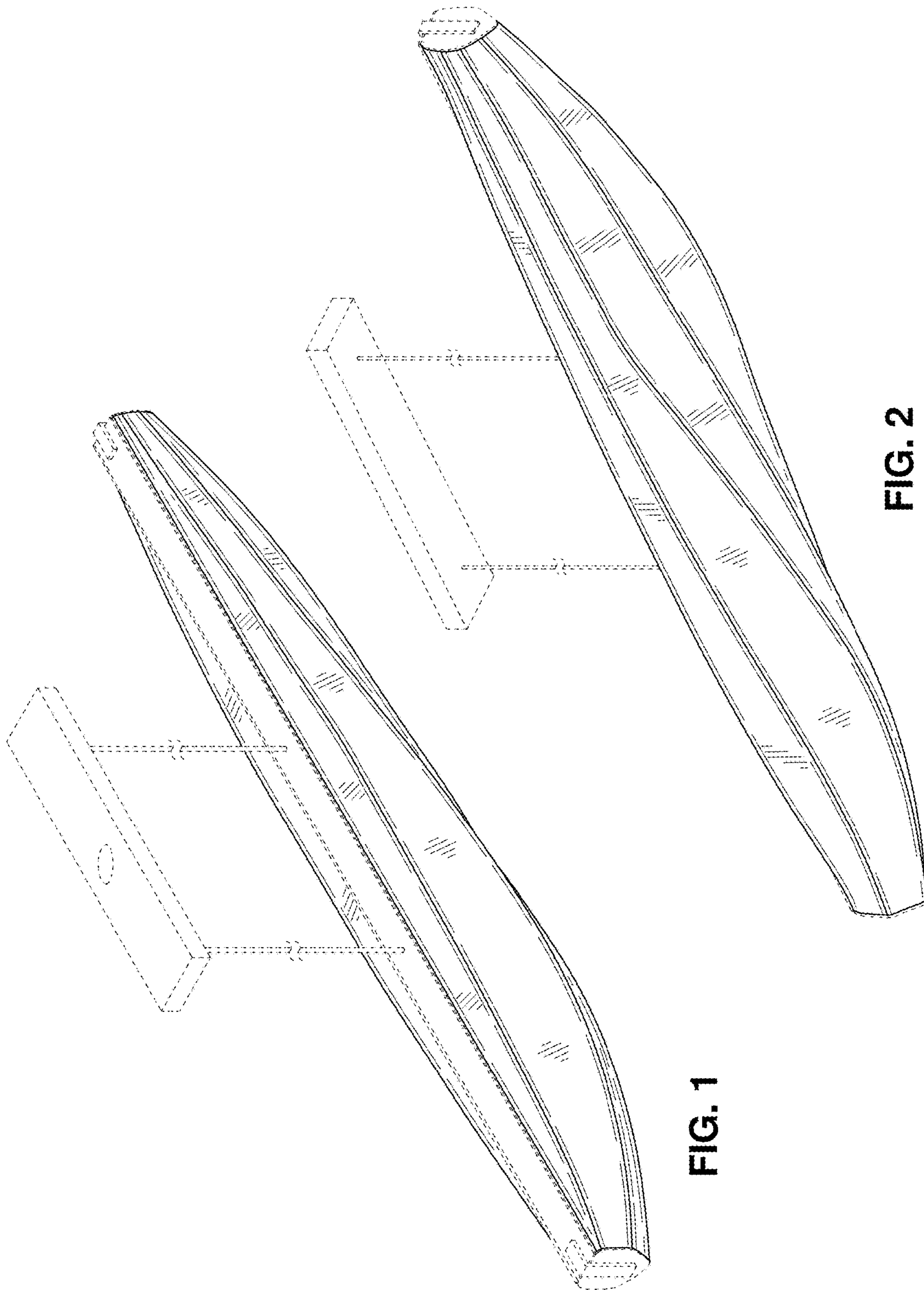


FIG. 1

FIG. 2

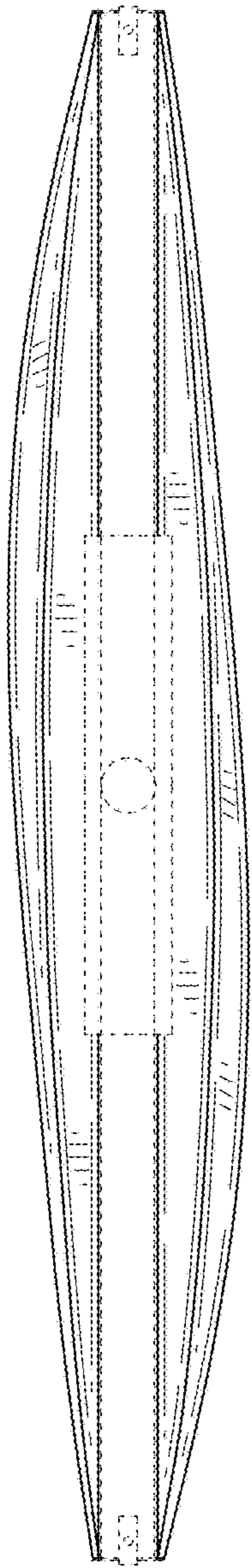


FIG. 3

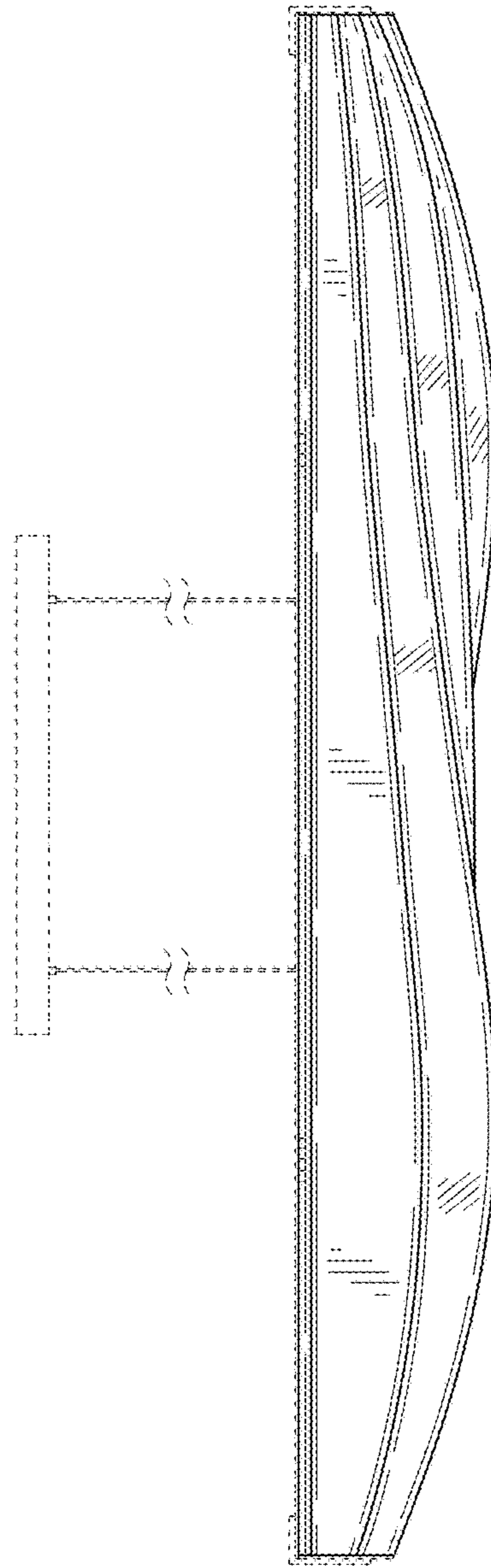


FIG. 4

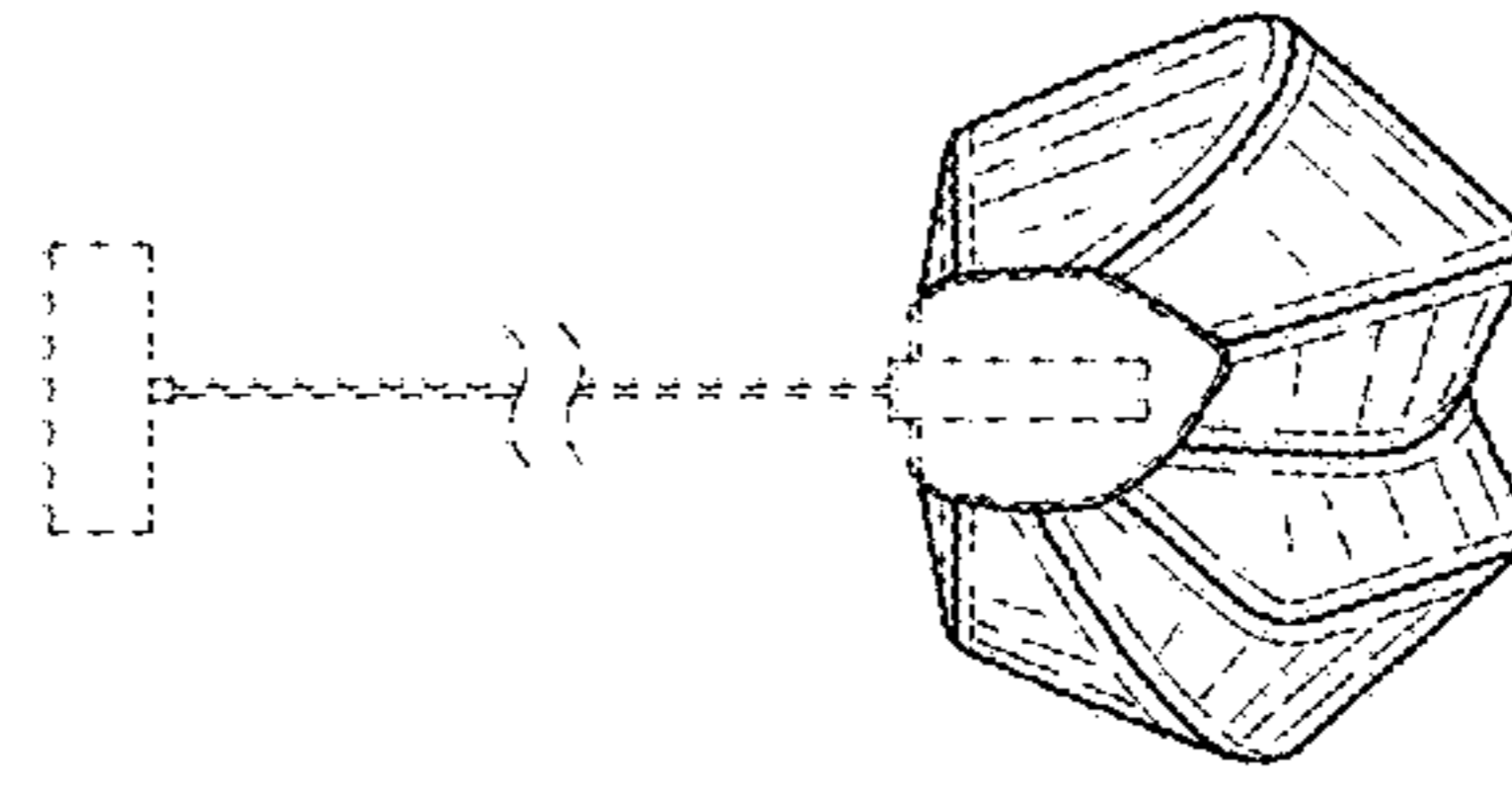


FIG. 5

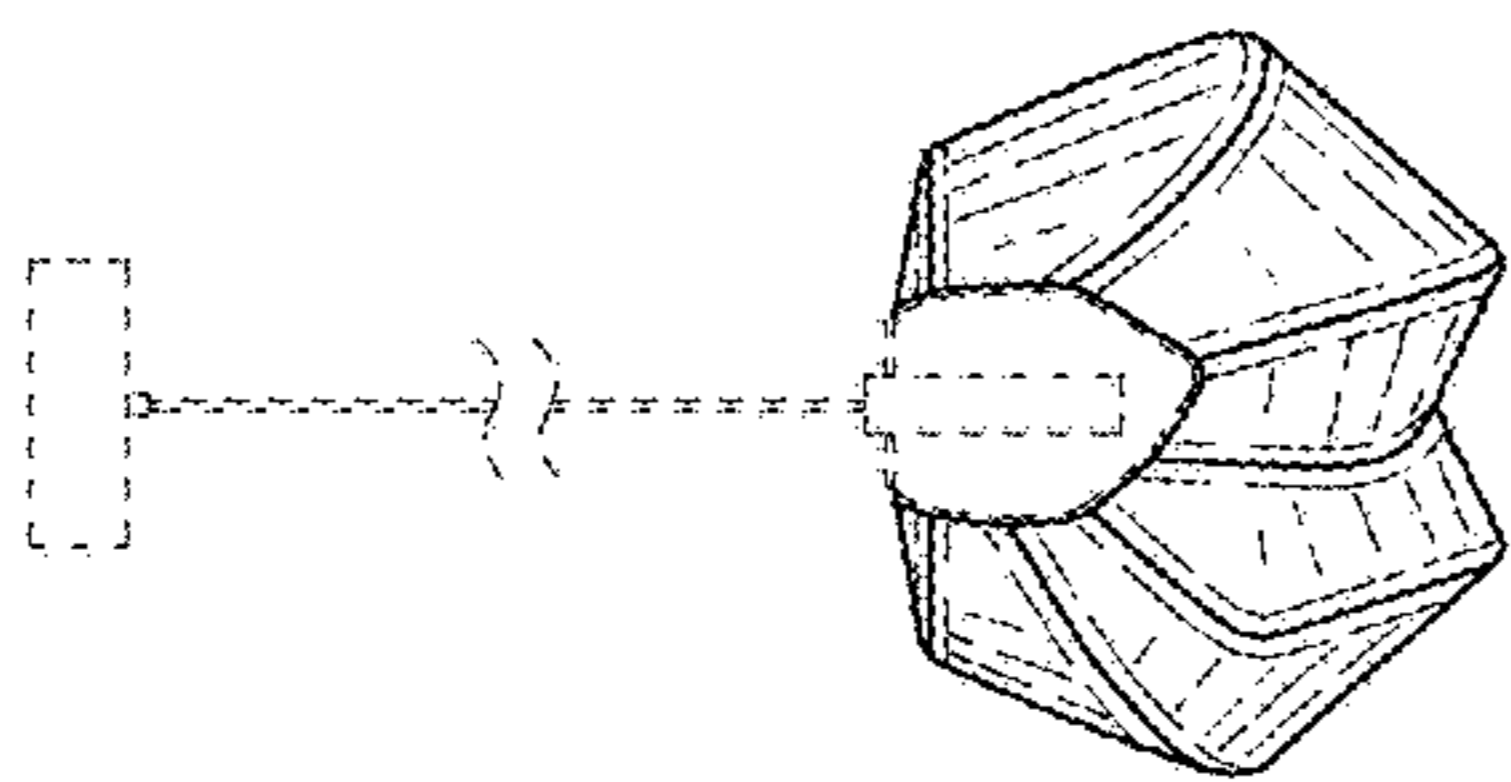


FIG. 6

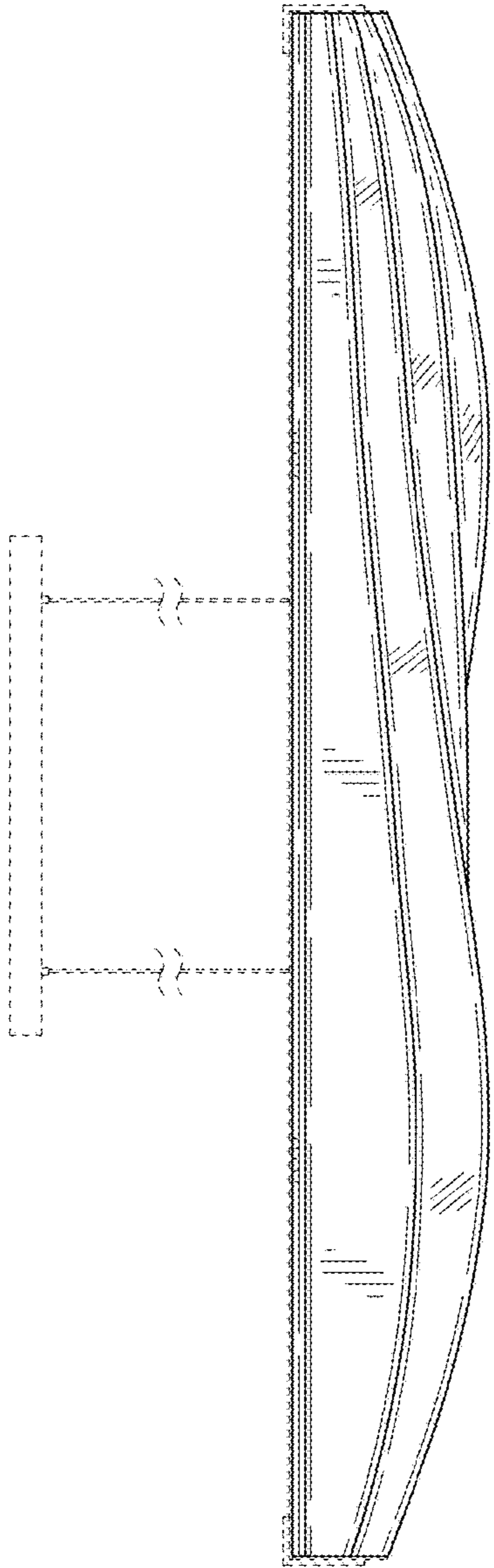


FIG. 7

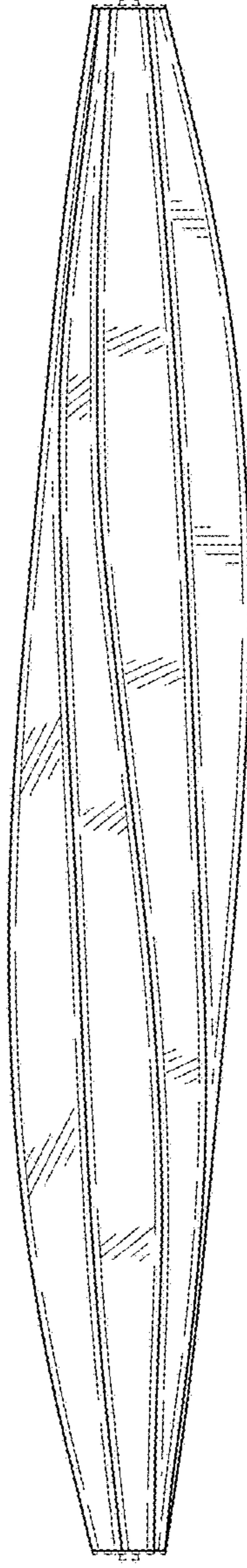


FIG. 8