



US00D857966S

(12) **United States Design Patent** (10) **Patent No.:** **US D857,966 S**
Yang (45) **Date of Patent:** **** Aug. 27, 2019**

(54) **LAMP**

(71) Applicant: **Yuyao Splendid Lighting Technology Co.,Ltd., Yuyao (CN)**

(72) Inventor: **Zhongbing Yang, Yuyao (CN)**

(**) Term: **15 Years**

(21) Appl. No.: **29/633,068**

(22) Filed: **Jan. 12, 2018**

(30) **Foreign Application Priority Data**

Sep. 20, 2017 (CN) 2017 3 0444337.6

(51) **LOC (12) Cl.** **26-03**

(52) **U.S. Cl.**
USPC **D26/85; D26/71**

(58) **Field of Classification Search**
USPC D26/26, 67-72, 76, 80, 81, 85-88, 92,
D26/154

CPC F21S 8/006; F21S 8/08; F21S 8/081; F21S
8/083; F21S 8/088; F21S 8/03; F21S
8/032; F21S 8/033; F21S 8/035; F21S
8/036; F21S 8/037; F21S 9/03; F21S
9/032; F21S 9/035; F21S 9/037; F21W
2131/109; F21V 3/02; F21V 29/74; F21V
29/76; F21V 29/763; F21V 29/767; F21V
29/77; F21V 29/2212

See application file for complete search history.

(56) **References Cited**

U.S. PATENT DOCUMENTS

D770,660	S	*	11/2016	Yang	D26/71
D818,173	S	*	5/2018	Wan	D26/71
D822,261	S	*	7/2018	Demuyneck	D26/92
D839,182	S	*	1/2019	Zeng	D13/102
D841,219	S	*	2/2019	Chen	D26/85
D843,628	S	*	3/2019	Compton	D26/71
2011/0291569	A1	*	12/2011	Shin	F21V 3/02 315/113
2017/0030570	A1	*	2/2017	Yang	F21V 29/763
2019/0078741	A1	*	3/2019	Zhou	F21V 23/0471

* cited by examiner

Primary Examiner — Cathron C Brooks
(74) *Attorney, Agent, or Firm* — W & K IP

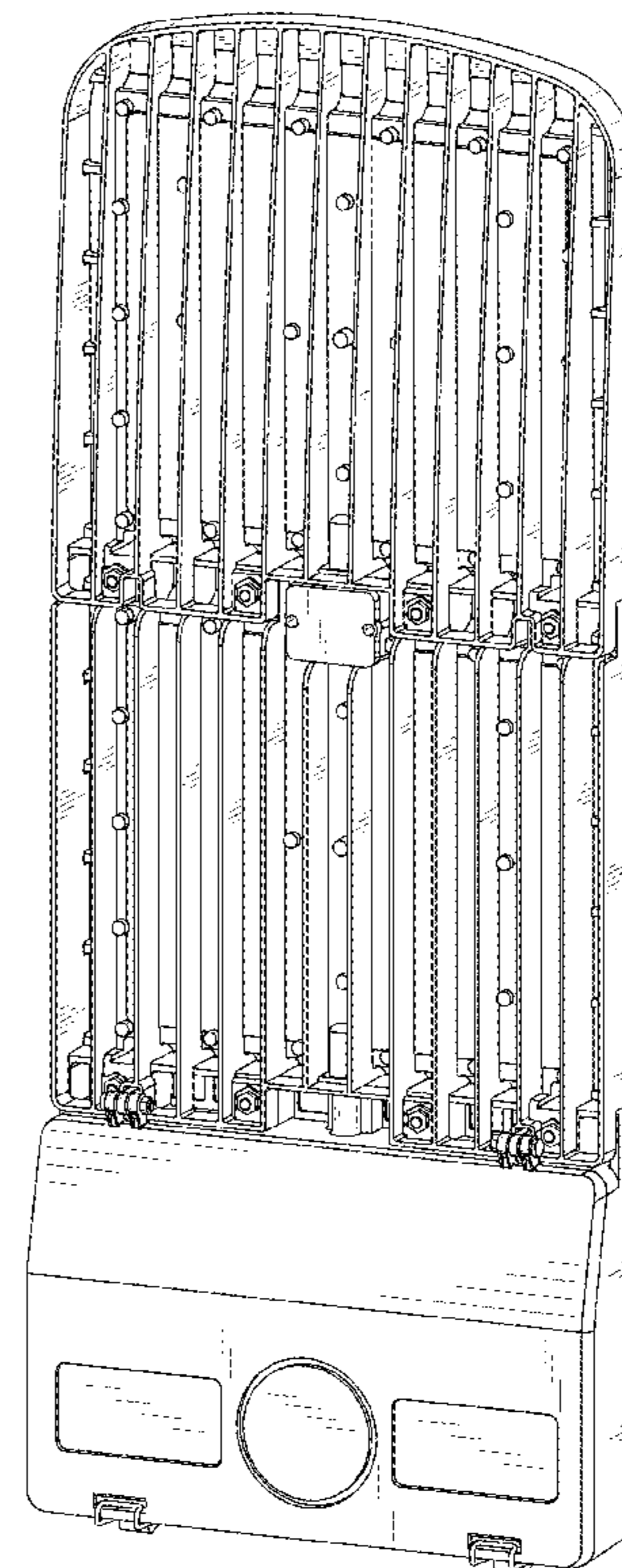
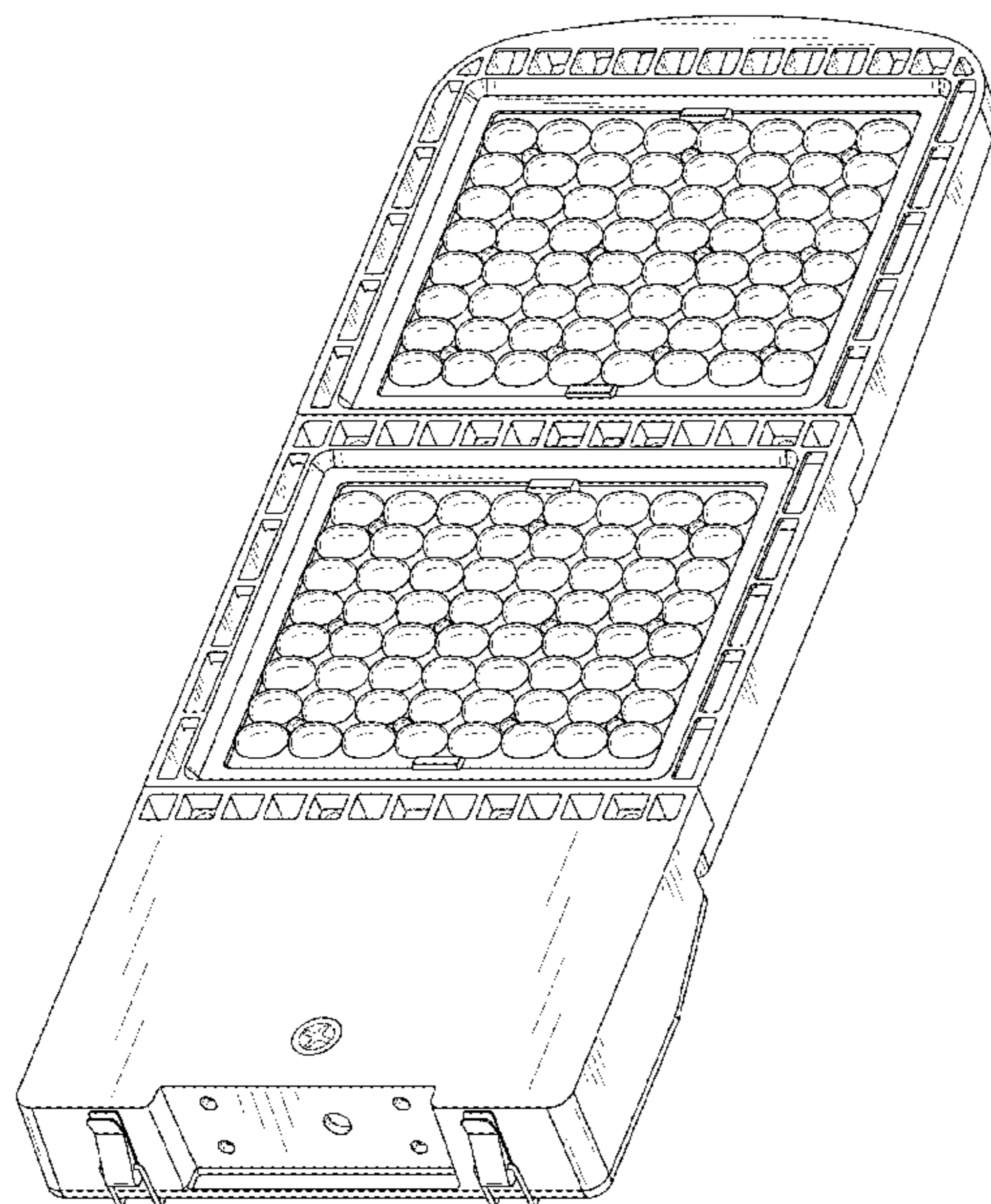
(57) **CLAIM**

The ornamental design for a lamp, as shown and described.

DESCRIPTION

FIG. 1 is a front view of a cushion;
FIG. 2 is a back view thereof;
FIG. 3 is a left side view thereof;
FIG. 4 is a right side view thereof;
FIG. 5 is a top plan view thereof;
FIG. 6 is a bottom plan view thereof;
FIG. 7 is a perspective view thereof; and,
FIG. 8 is another perspective view thereof.
The broken lines shown in FIGS. 1 and 7 illustrate portions of the lamp that form no part of the claimed design.

1 Claim, 6 Drawing Sheets



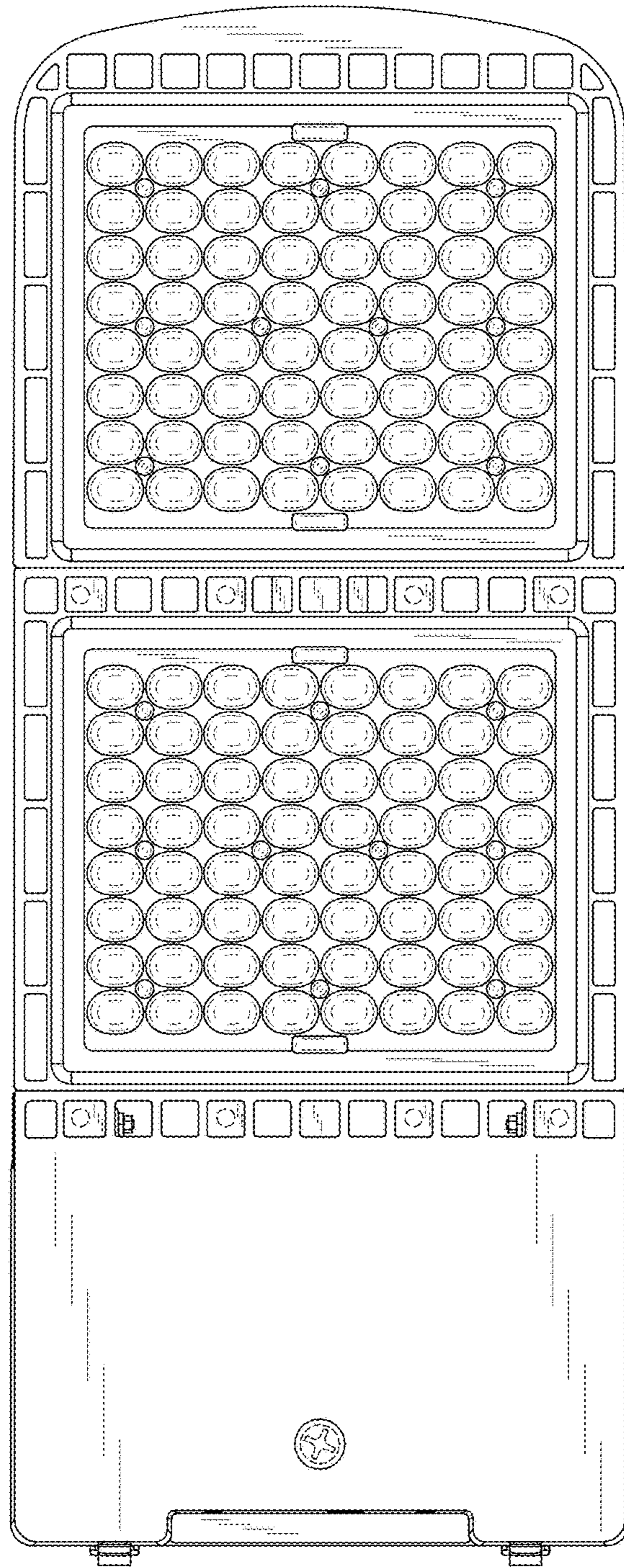


Fig.1

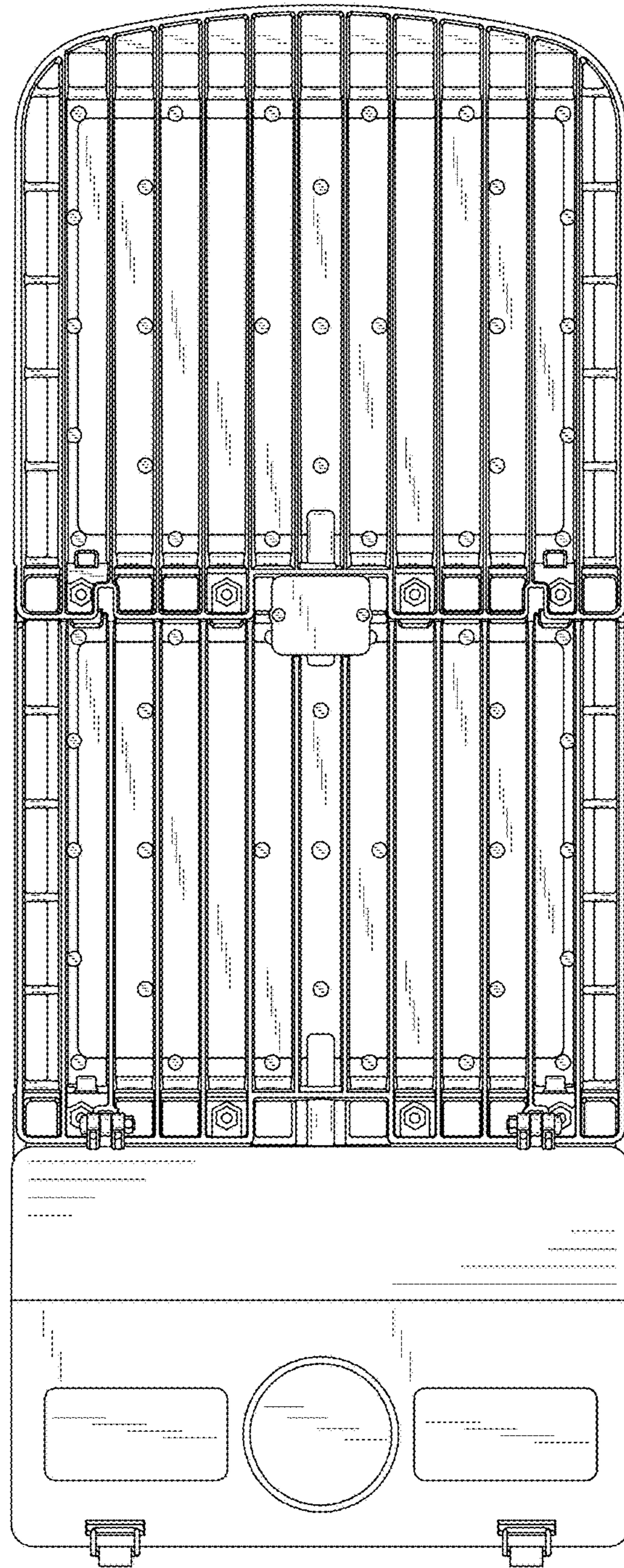


Fig.2

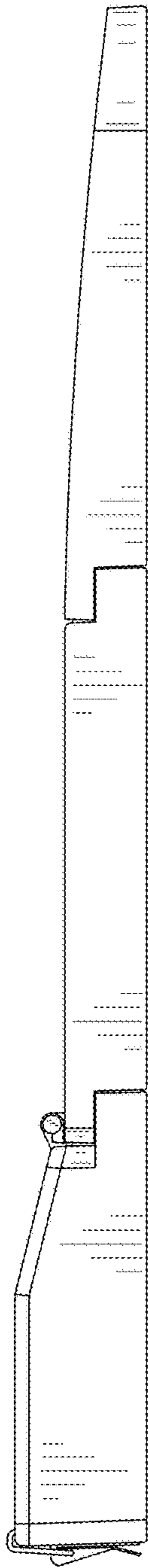


Fig.3

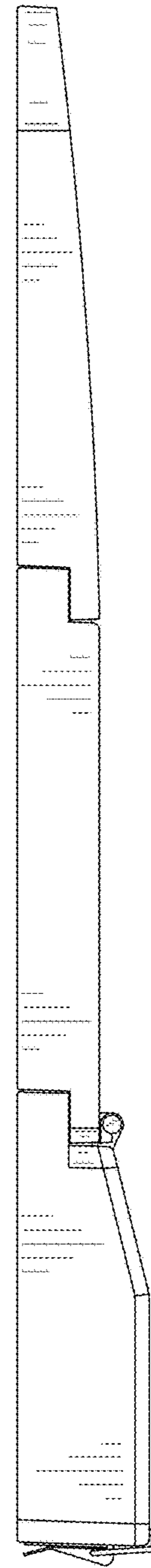


Fig.4

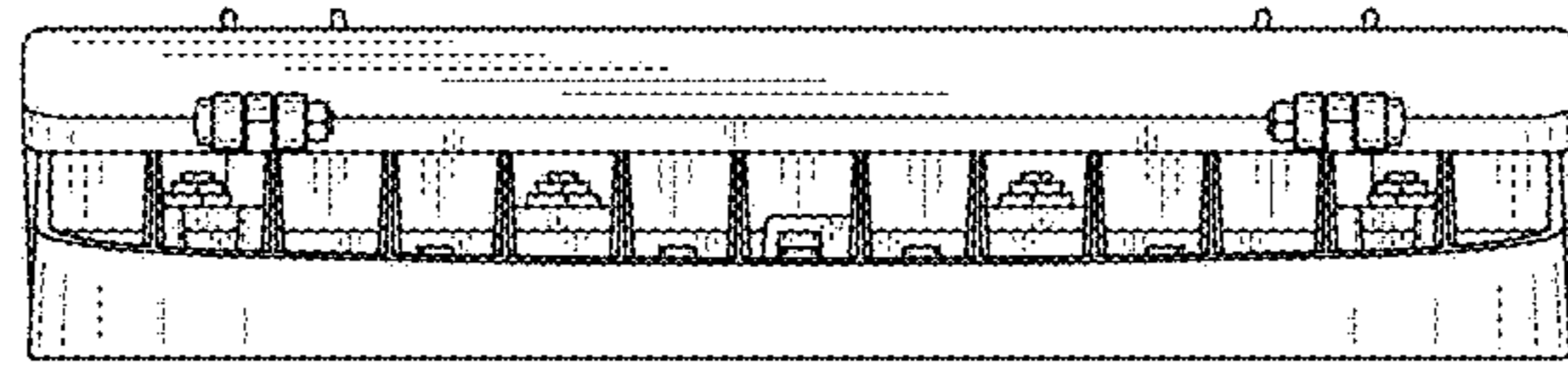


Fig.5

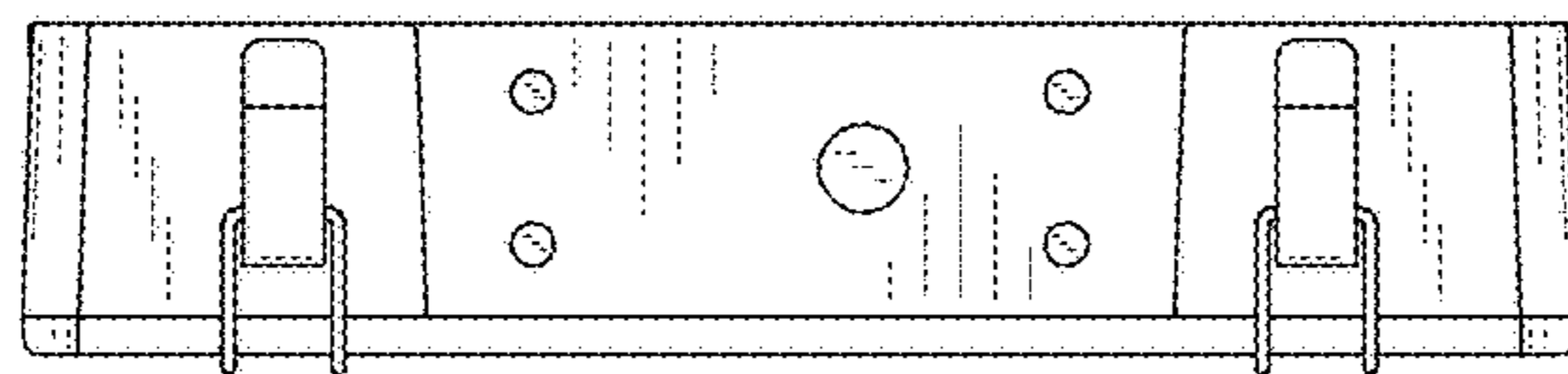


Fig.6

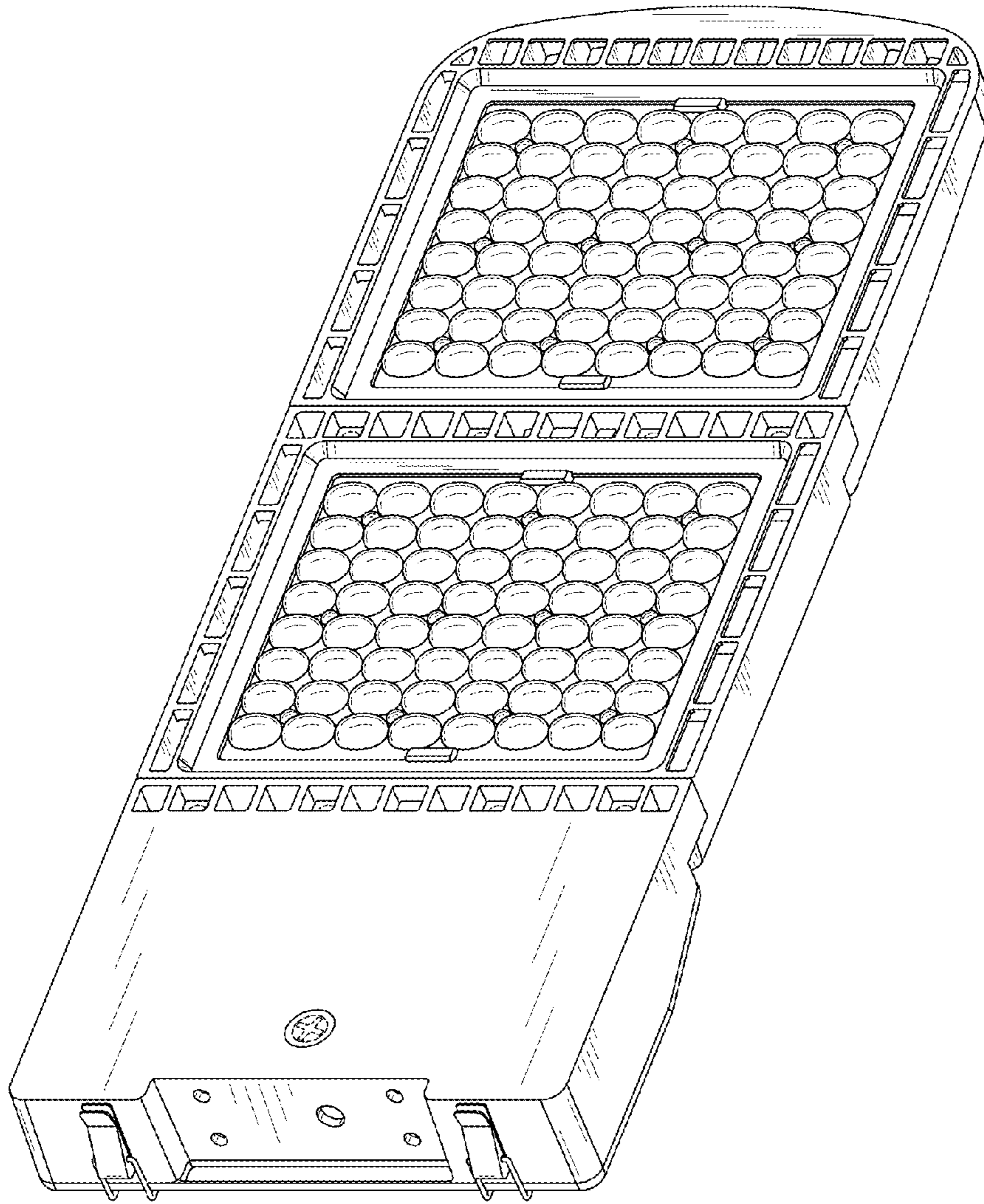


Fig.7

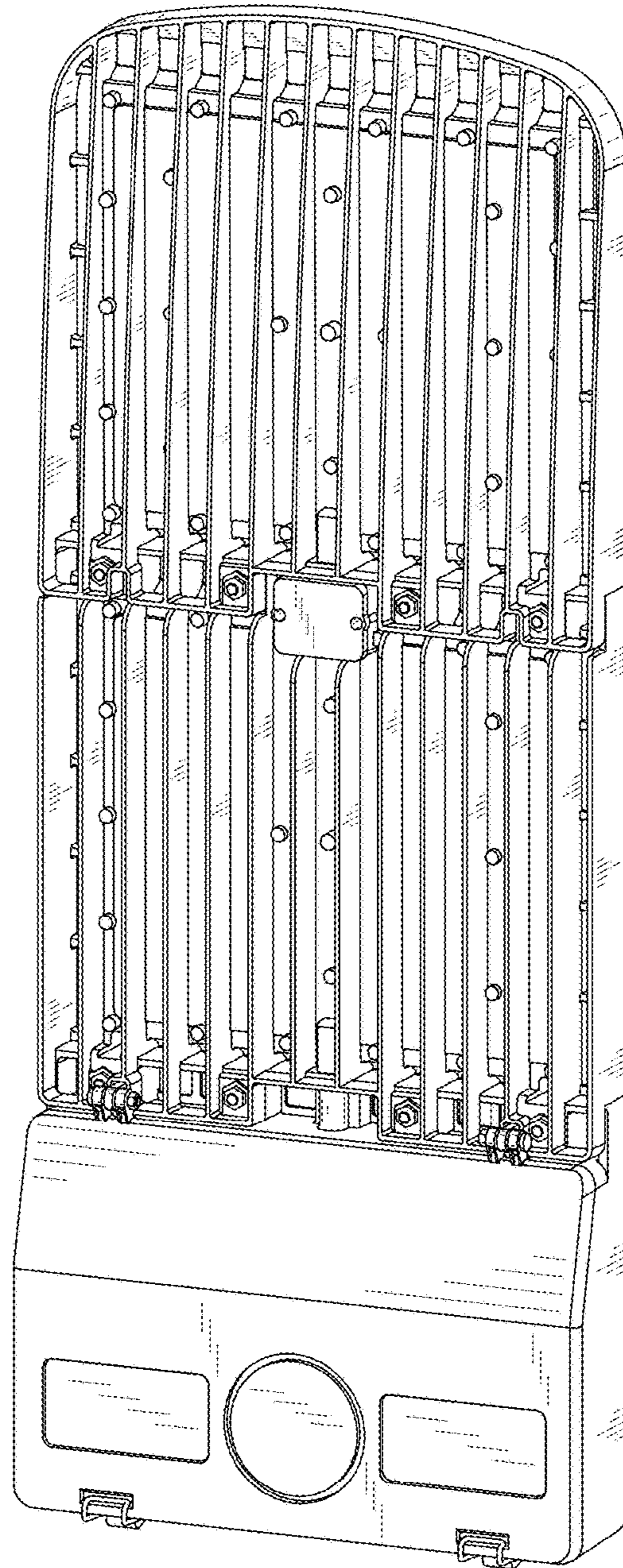


Fig.8