



US00D857964S

(12) **United States Design Patent**
Ross et al.

(10) **Patent No.:** **US D857,964 S**

(45) **Date of Patent:** **** Aug. 27, 2019**

(54) **LINEAR LUMINAIRE WITH CONTINUOUS LENS**

(71) Applicant: **Cooper Technologies Company**,
Houston, TX (US)

(72) Inventors: **Alexander James Ross**, Aurora, CO
(US); **Eric Tyler DiFelice**, Aurora, CO
(US)

(73) Assignee: **Eaton Intelligent Power Limited**,
Dublin (IE)

(**) Term: **15 Years**

(21) Appl. No.: **29/626,975**

(22) Filed: **Nov. 21, 2017**

(51) **LOC (12) Cl.** **26-04**

(52) **U.S. Cl.**
USPC **D26/76**

(58) **Field of Classification Search**
USPC D26/76, 78, 79, 80, 81, 82, 83, 85, 86,
D26/88, 90, 93, 111, 113, 118, 119, 120,
D26/121, 122, 138, 139, 140, 141, 142,
D26/152

CPC F21S 2/00; F21S 4/00; F21S 4/003; F21S
4/005; F21S 4/006; F21S 4/007; F21S
4/008; F21S 6/00; F21S 8/00; F21S
8/024; F21S 8/026; F21S 8/031; F21S
8/033; F21S 8/035-037; F21S 8/04; F21S
8/043; F21S 8/063

See application file for complete search history.

(56) **References Cited**

U.S. PATENT DOCUMENTS

D418,626 S * 1/2000 Herst D26/118
D493,244 S 7/2004 Engel
D584,848 S 1/2009 Menke
D595,890 S 7/2009 Sabernig

D602,626 S 10/2009 Santoro
D607,599 S * 1/2010 Zhou D26/76
D632,004 S 2/2011 Waldmann
D633,640 S * 3/2011 Wauters D26/76
D645,193 S * 9/2011 Chung D26/75
D645,194 S 9/2011 Budlike, Jr.
D650,509 S 12/2011 Wegger
D663,882 S * 7/2012 Muraishi D26/76
D671,667 S 11/2012 Kim
D700,724 S * 3/2014 Waldmann D26/24
D716,489 S 10/2014 O'Leary
D733,347 S * 6/2015 Dungan D26/76
D733,952 S * 7/2015 Lay D26/75
D738,031 S * 9/2015 Martins D26/118
D814,095 S * 3/2018 Brandrup D26/76

(Continued)

Primary Examiner — George D. Kirschbaum

Assistant Examiner — Natasha Vujcic

(74) *Attorney, Agent, or Firm* — King & Spalding LLP

(57) **CLAIM**

The ornamental design for a linear luminaire with continuous lens, as shown and described.

DESCRIPTION

FIG. 1 is a bottom perspective view of a linear luminaire with continuous lens, showing our new design;

FIG. 2 is a top perspective view thereof;

FIG. 3 is a top plan view thereof;

FIG. 4 is a bottom plan view thereof;

FIG. 5 is a side view thereof;

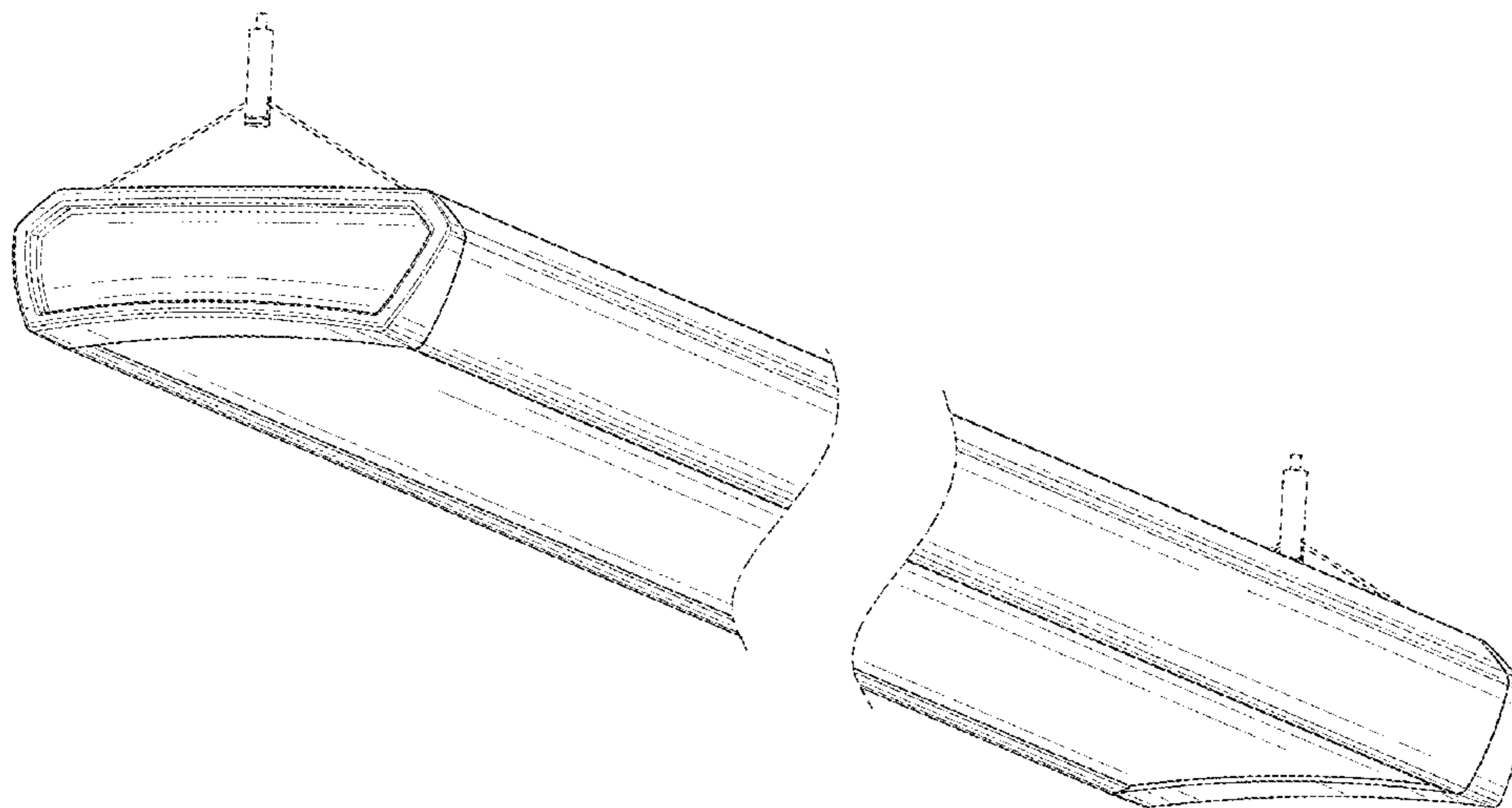
FIG. 6 is another side view thereof;

FIG. 7 is an end view thereof; and,

FIG. 8 is another end view thereof.

The broken lines shown in the figures illustrate portions of the linear luminaire with continuous lens that form no part of the claimed design. The break lines in the drawings indicate that the appearance of any portion of the linear luminaire between the break lines forms no part of the claimed design.

1 Claim, 5 Drawing Sheets



(56)

References Cited

U.S. PATENT DOCUMENTS

2006/0146531 A1 7/2006 Reo
2012/0212953 A1 8/2012 Bloom

* cited by examiner

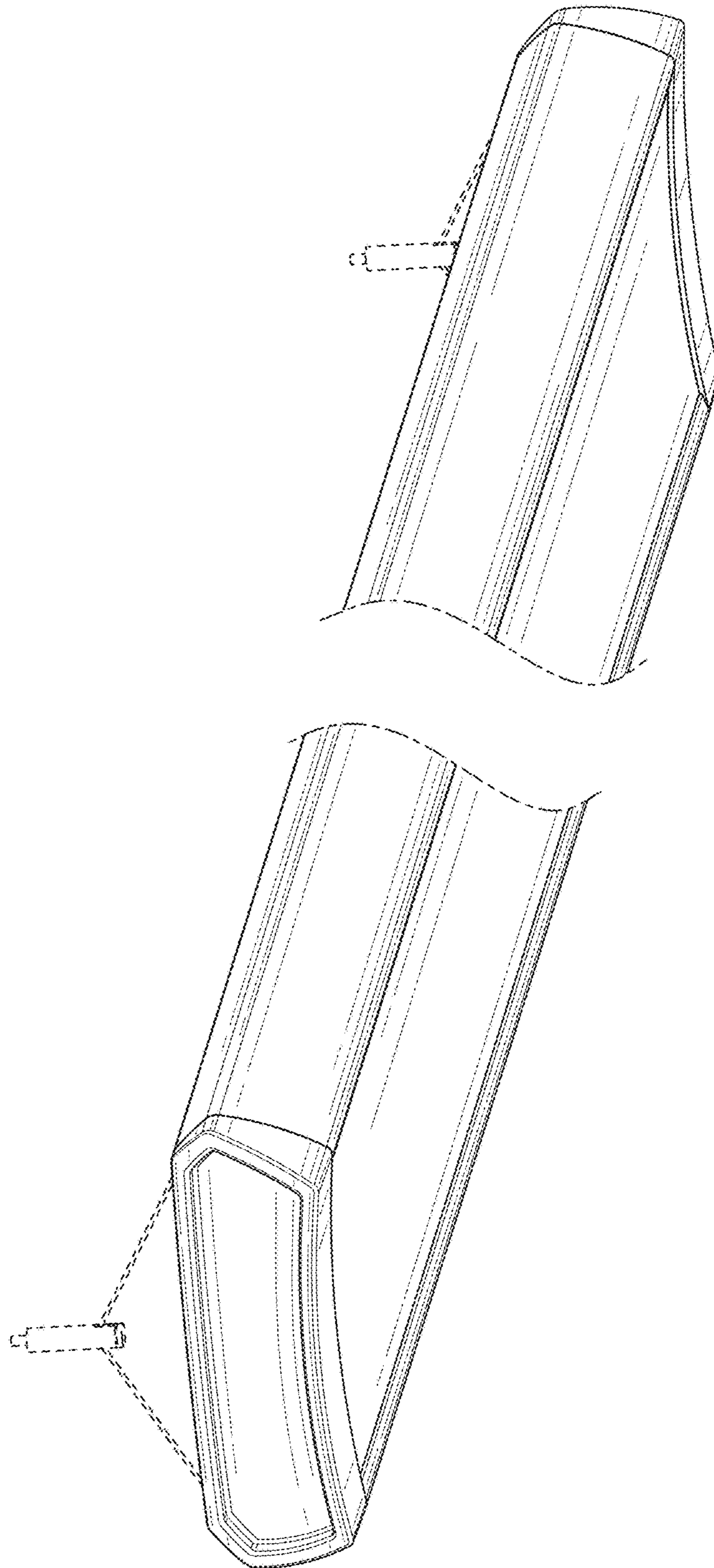


FIG. 1

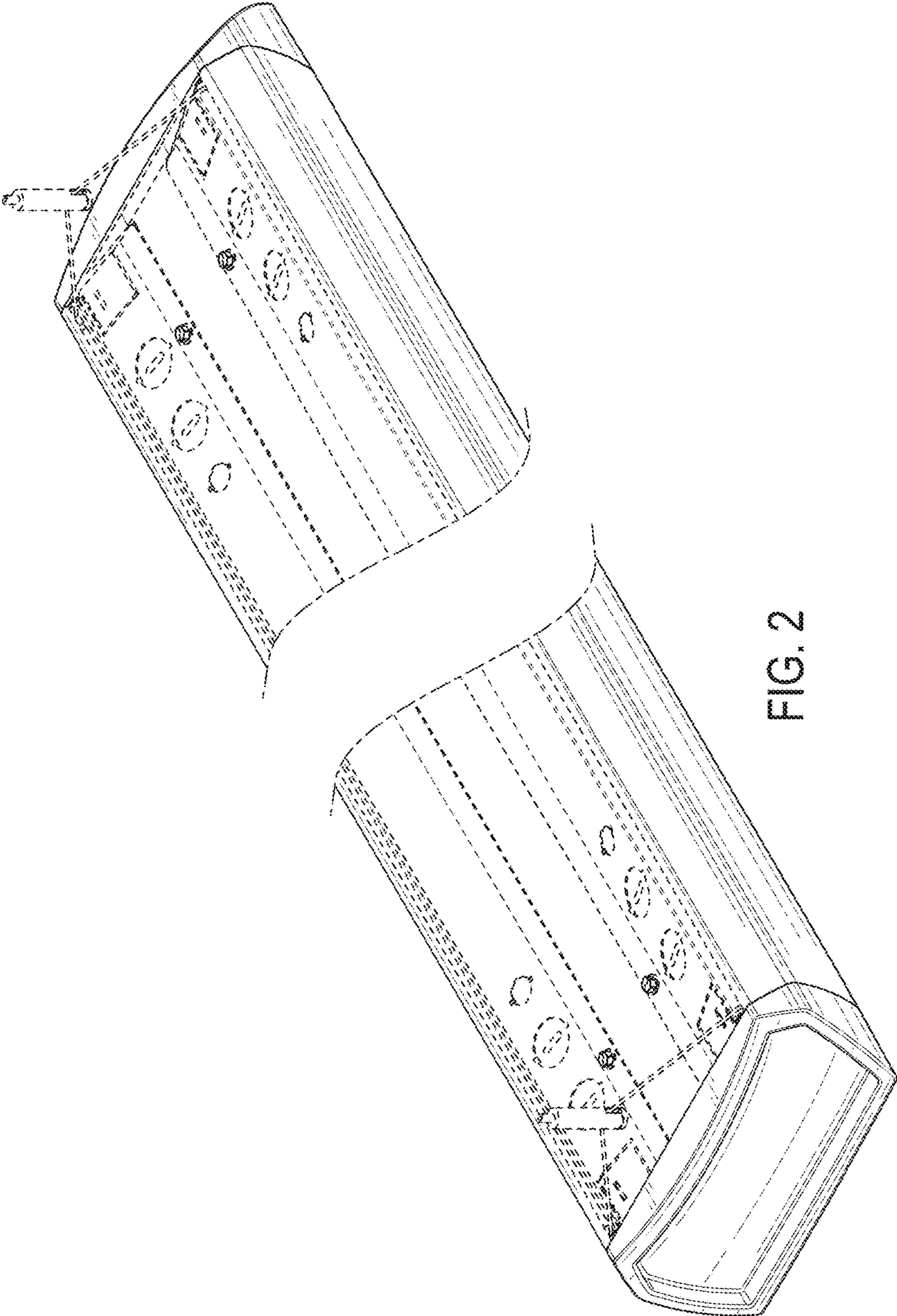


FIG. 2

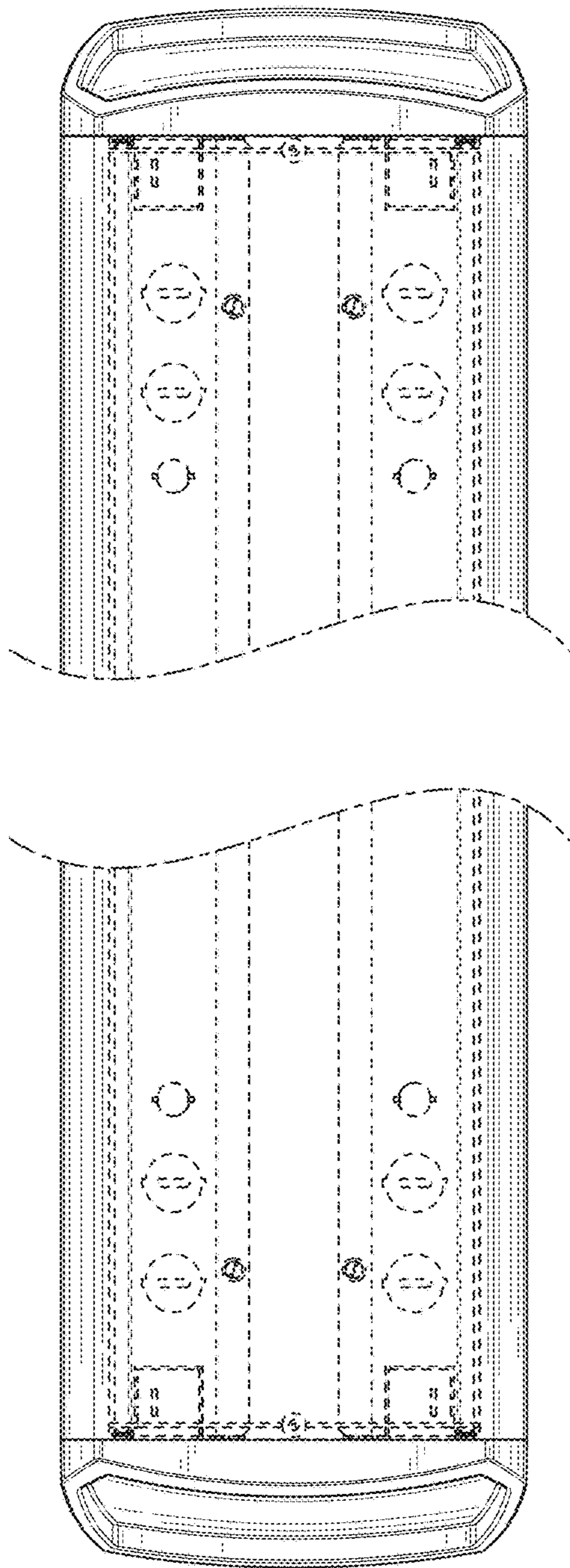


FIG. 3

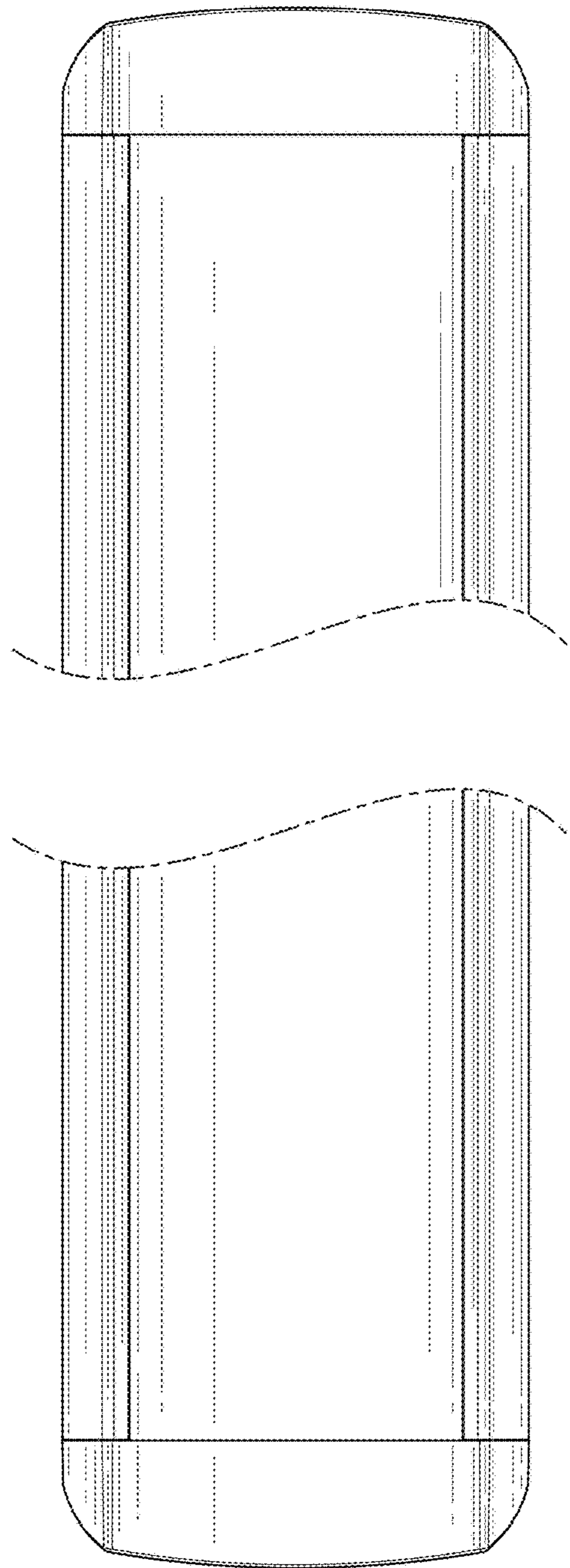


FIG. 4

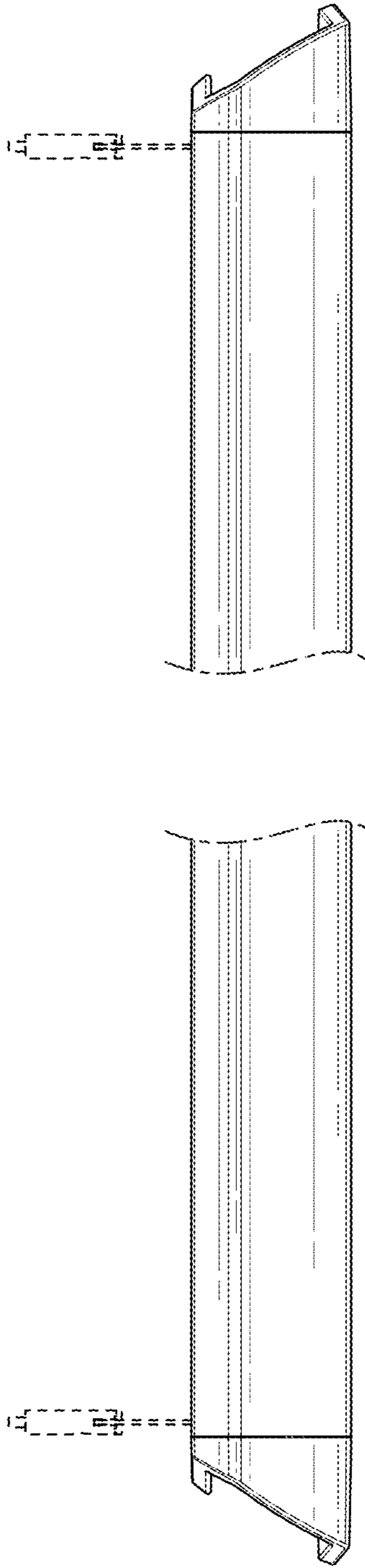


FIG. 5

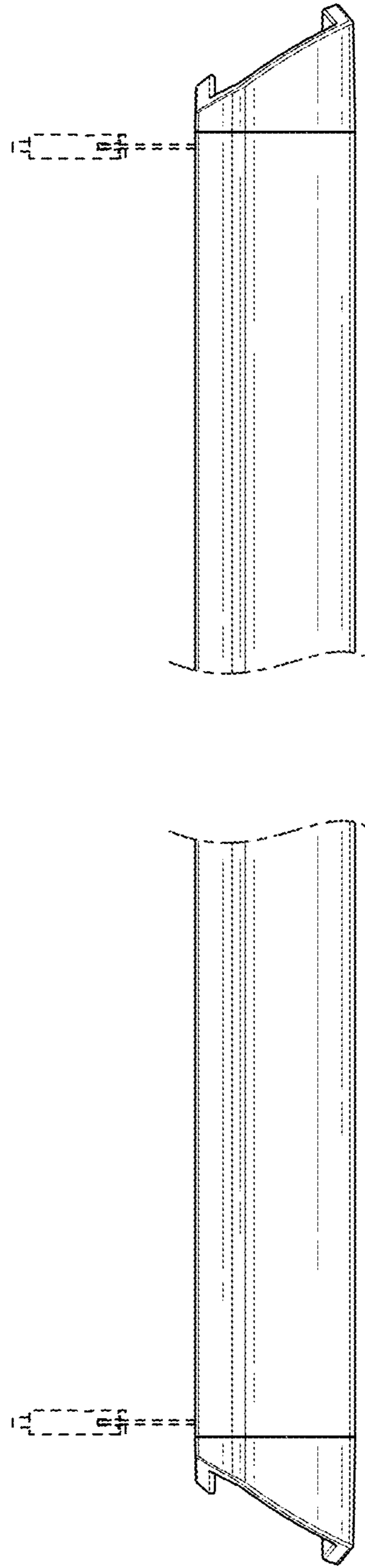


FIG. 6

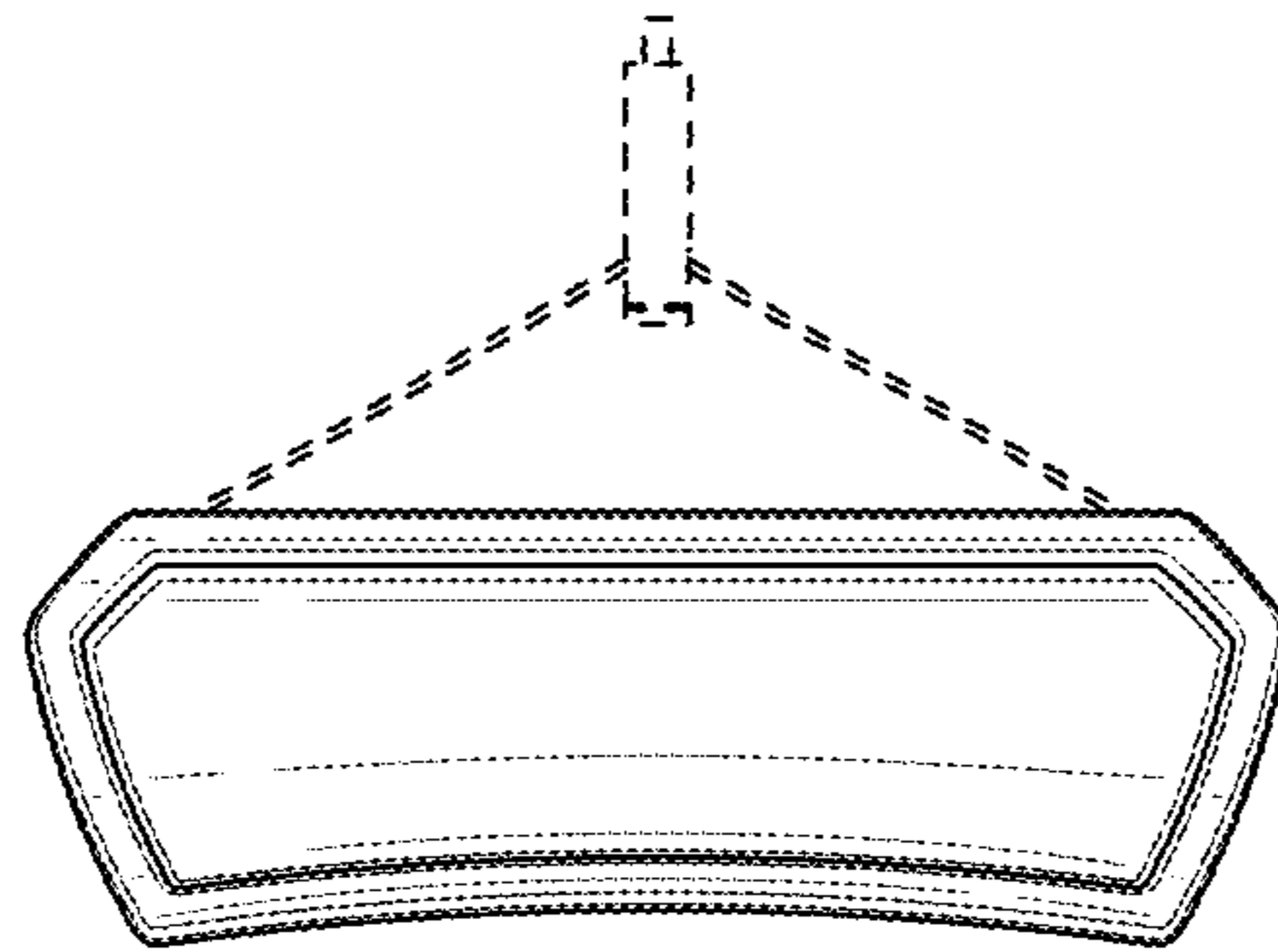


FIG. 7

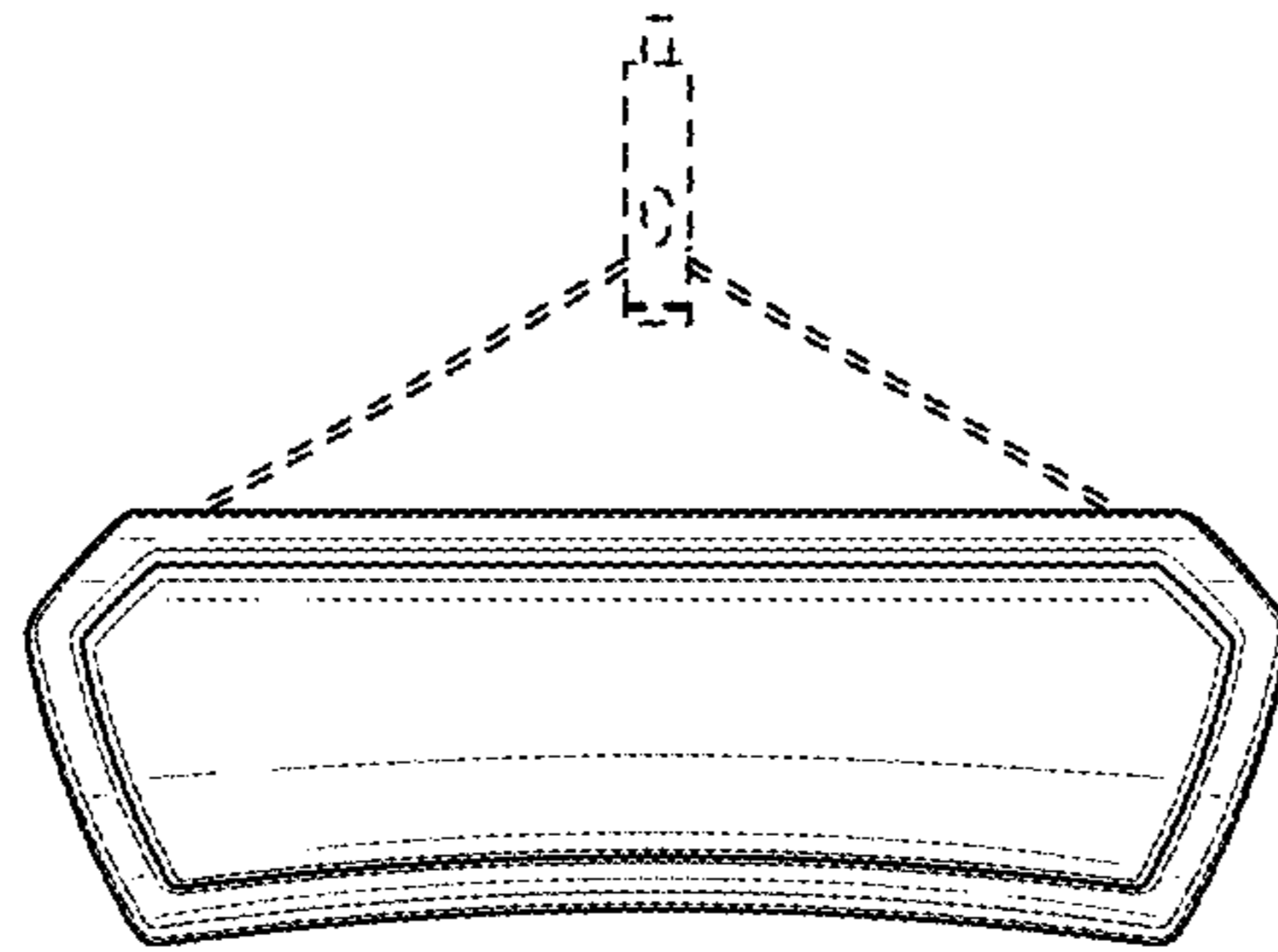


FIG. 8