



US00D857963S

(12) **United States Design Patent** (10) **Patent No.:** **US D857,963 S**
Johnson (45) **Date of Patent:** **** Aug. 27, 2019**

- (54) **ELONGATE LIGHT**
- (71) Applicant: **London Johnson, Inc.**, Fishersville, VA (US)
- (72) Inventor: **Brian P. Johnson**, Fishersville, VA (US)
- (73) Assignee: **London Johnson, Inc.**, Dallas, TX (US)
- (**) Term: **15 Years**
- (21) Appl. No.: **29/578,629**
- (22) Filed: **Sep. 22, 2016**
- (51) **LOC (12) Cl.** **26-04**
- (52) **U.S. Cl.**
USPC **D26/76**
- (58) **Field of Classification Search**
USPC D26/76, 78, 79, 80, 81, 82, 83, 85, 86,
D26/88, 90, 113, 118, 119, 120, 121, 122,
D26/138, 139, 140, 141, 142, 152
CPC F21S 2/00; F21S 4/00; F21S 4/003; F21S
4/005; F21S 4/006; F21S 4/007; F21S
4/008; F21S 6/00; F21S 8/00; F21S
8/024; F21S 8/026; F21S 8/031; F21S
8/033; F21S 8/035-8/037; F21S 8/04;
F21S 8/043; F21S 8/063
See application file for complete search history.

D449,402 S *	10/2001	Echito	D26/76
D464,162 S *	10/2002	Segretto	D26/80
6,755,551 B2 *	6/2004	Soorus	F21S 8/00 315/58
D549,382 S *	8/2007	Lee	D26/76
7,270,443 B2 *	9/2007	Kurtz	F21S 8/00 362/217.05
D557,442 S *	12/2007	Niemier	D26/76
D576,334 S *	9/2008	Levine	D26/76
D585,152 S *	1/2009	Levine	
D602,189 S *	10/2009	Zambelli	D26/76
D603,545 S *	11/2009	Levine	
D608,043 S *	1/2010	Ko	D26/76
D633,244 S *	2/2011	Kramer	D26/80
D650,507 S *	12/2011	Osiecki	D26/72
D671,674 S *	11/2012	Cho	D26/118
D797,963 S *	9/2017	Johnson	D26/24

* cited by examiner

Primary Examiner — Natasha Vujcic
(74) *Attorney, Agent, or Firm* — Perkins Coie LLP

(57) **CLAIM**

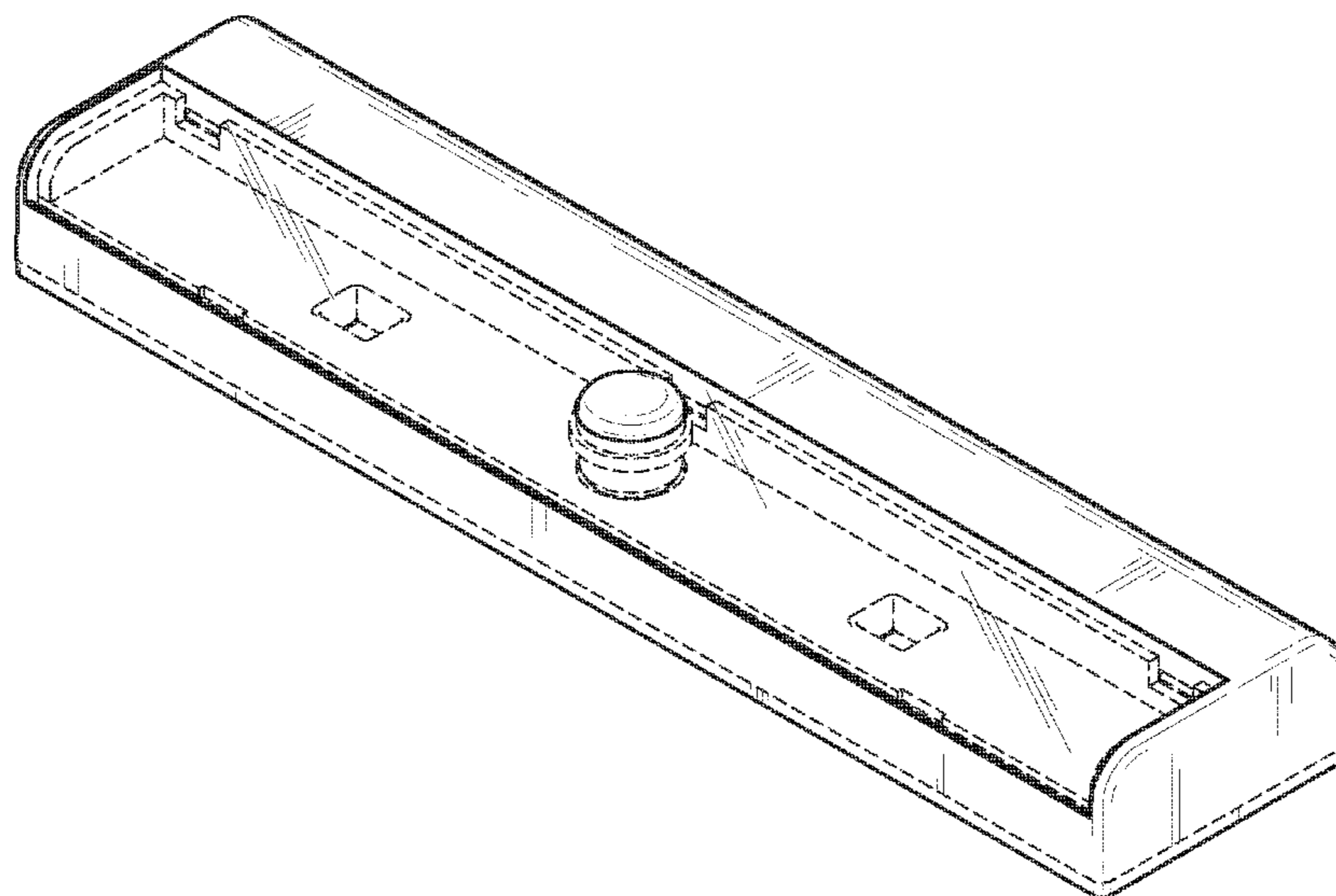
The ornamental design for an elongate light, as shown and described.

DESCRIPTION

FIG. 1 is a perspective view of an elongate light showing my design, as viewed from the top and front.
FIG. 2 is a top plan view thereof.
FIG. 3 is a bottom plan view thereof.
FIG. 4 is a back profile view thereof.
FIG. 5 is a front profile view thereof.
FIG. 6 is a first side profile view thereof; and,
FIG. 7 is a second side profile view thereof.
The details shown in broken lines illustrate features that form no part of the claimed design.

1 Claim, 2 Drawing Sheets

- (56) **References Cited**
U.S. PATENT DOCUMENTS
D163,762 S * 6/1951 McCann D26/76
D329,715 S * 9/1992 Dieperink D26/76
D330,269 S * 10/1992 Hong D26/76
D443,096 S * 5/2001 Echito D26/76



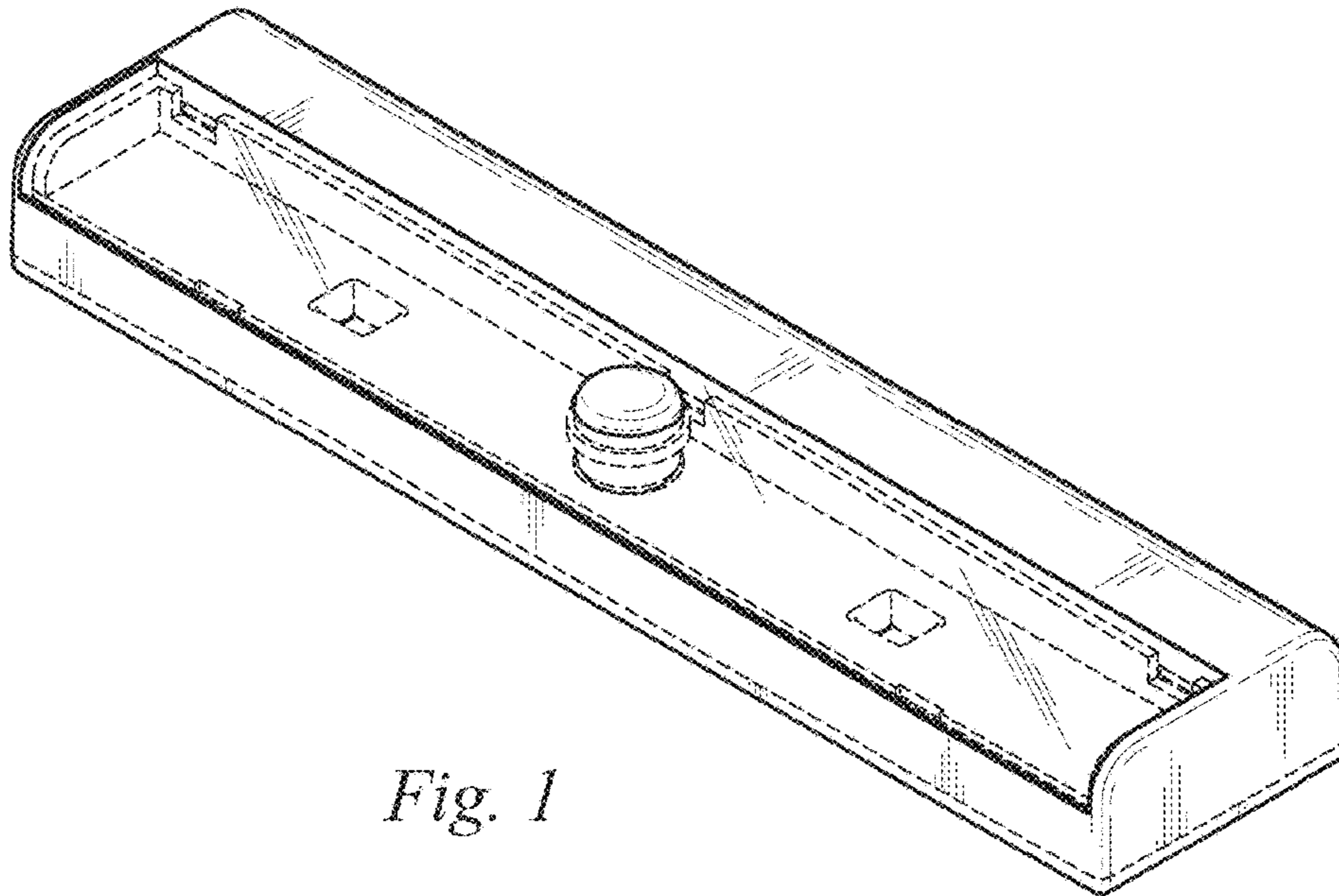


Fig. 1

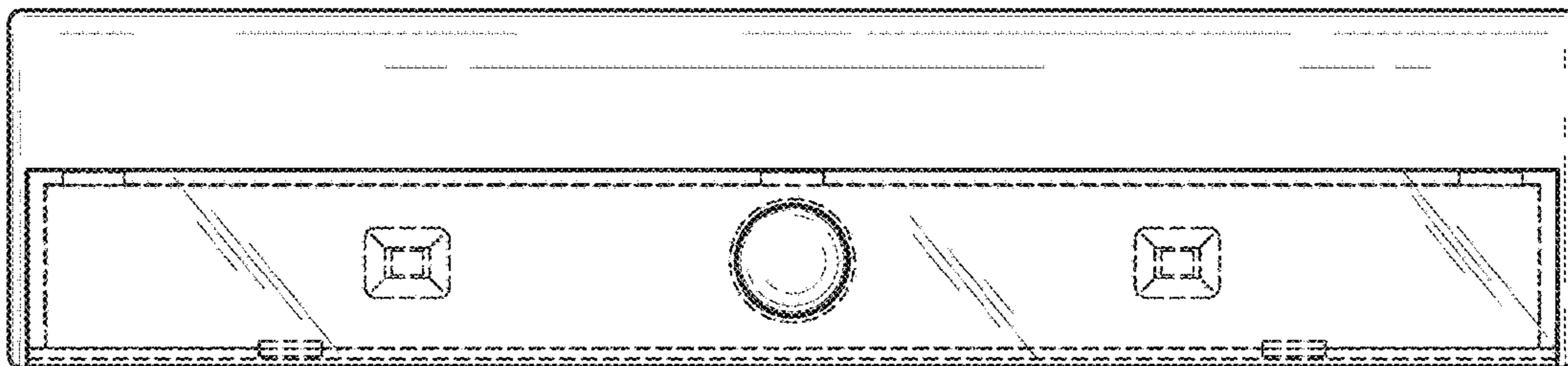


Fig. 2

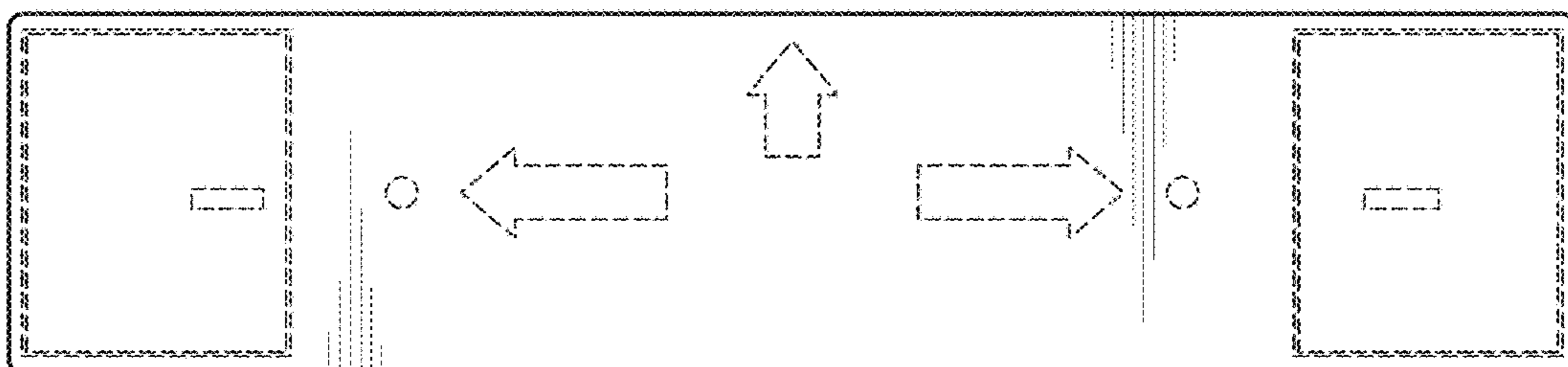


Fig. 3

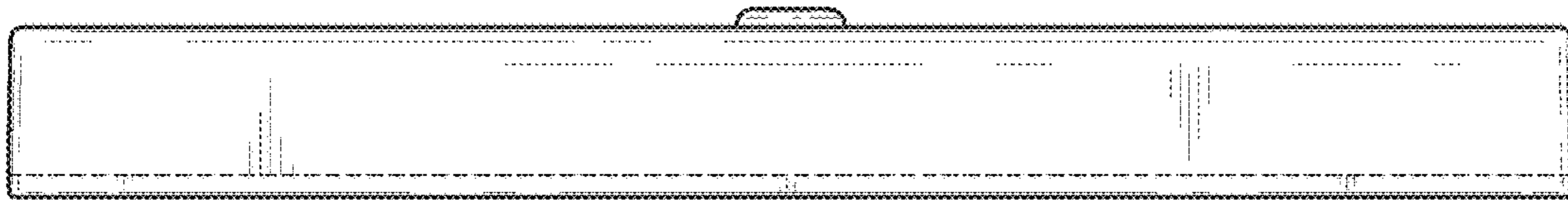


Fig. 4

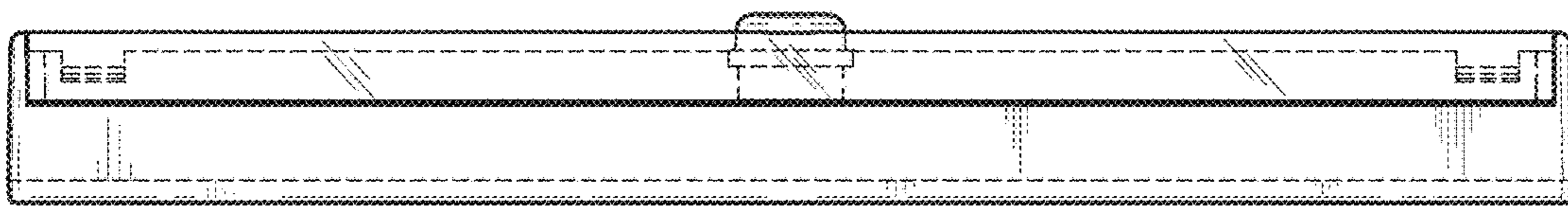


Fig. 5

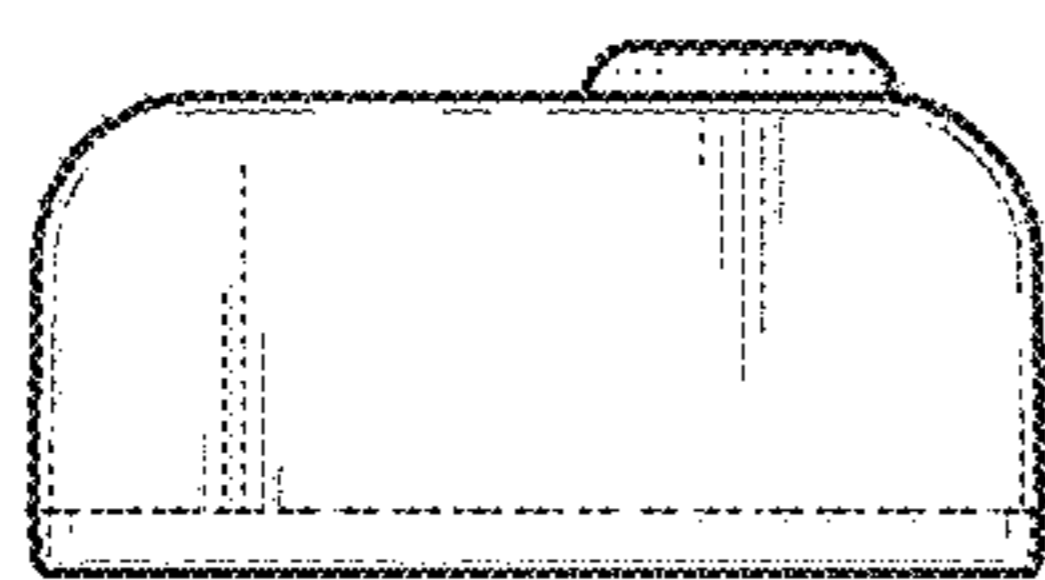


Fig. 6

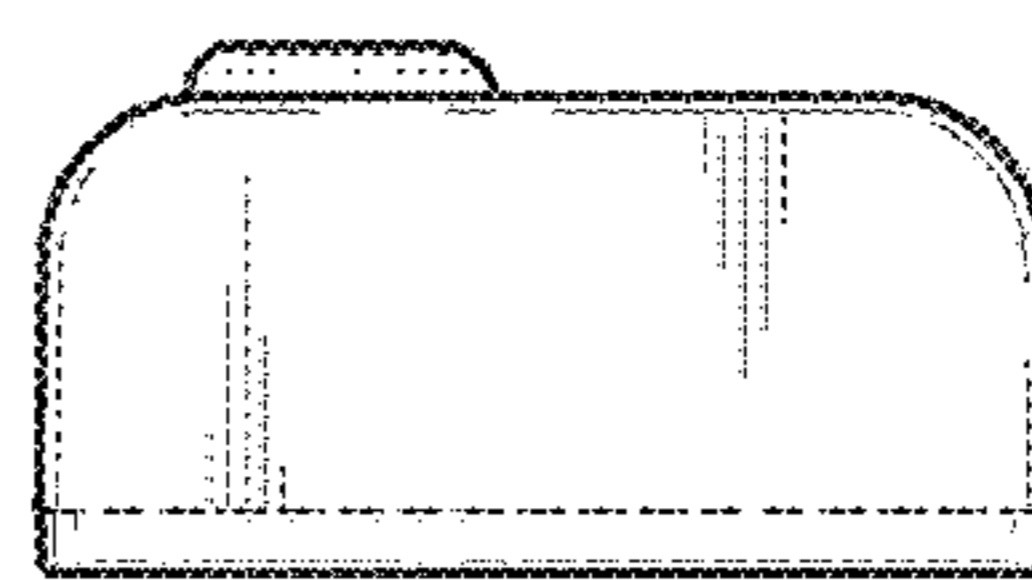


Fig. 7