



US00D857962S

(12) **United States Design Patent**
Zhang

(10) **Patent No.:** **US D857,962 S**

(45) **Date of Patent:** **** Aug. 27, 2019**

- (54) **SPIKE MOUNTED LIGHT**
- (71) Applicant: **Shenzhen City Yuyiyuan Technology Co., Ltd., Guangdong (CN)**
- (72) Inventor: **Donglin Zhang, Guangdong (CN)**
- (**) Term: **15 Years**
- (21) Appl. No.: **29/647,139**
- (22) Filed: **May 10, 2018**
- (51) **LOC (12) Cl.** **26-03**
- (52) **U.S. Cl.**
USPC **D26/63**
- (58) **Field of Classification Search**
USPC D26/1, 24, 60, 61, 63-68, 80, 81, 113;
D13/102
CPC F21L 4/00; F21S 4/00; F21S 6/00; F21S 8/003; F21V 1/00; F21V 15/00; F21V 21/00; F21V 21/08; F21V 33/00; F21V 14/00; F21V 14/02; F21V 15/01; F21V 21/14
See application file for complete search history.

- D751,746 S * 3/2016 Hoang D26/63
- D764,694 S * 8/2016 Tsai D26/63
- D771,296 S * 11/2016 Duckworth D26/63
- D822,247 S * 7/2018 Jadhav D26/63
- D841,858 S * 2/2019 Deng D26/68

OTHER PUBLICATIONS

Solar Spotlight, dated Sep. 29, 2016, [online], [site visited Apr. 18, 2019]. Available from Internet, URL: <https://www.amazon.de/Mpow-Solarbeleuchten-Modifizierte-Solarbeleuchtung-Gartenleuchte/dp/B01EEZF64Q> (Year: 2016).*

* cited by examiner

Primary Examiner — Angela J Lee
Assistant Examiner — Shawn T Gingrich
(74) *Attorney, Agent, or Firm* — Prakash Nama; Global IP Services, PLLC

(57) **CLAIM**

The ornamental design for a spike mounted light, as shown and described.

DESCRIPTION

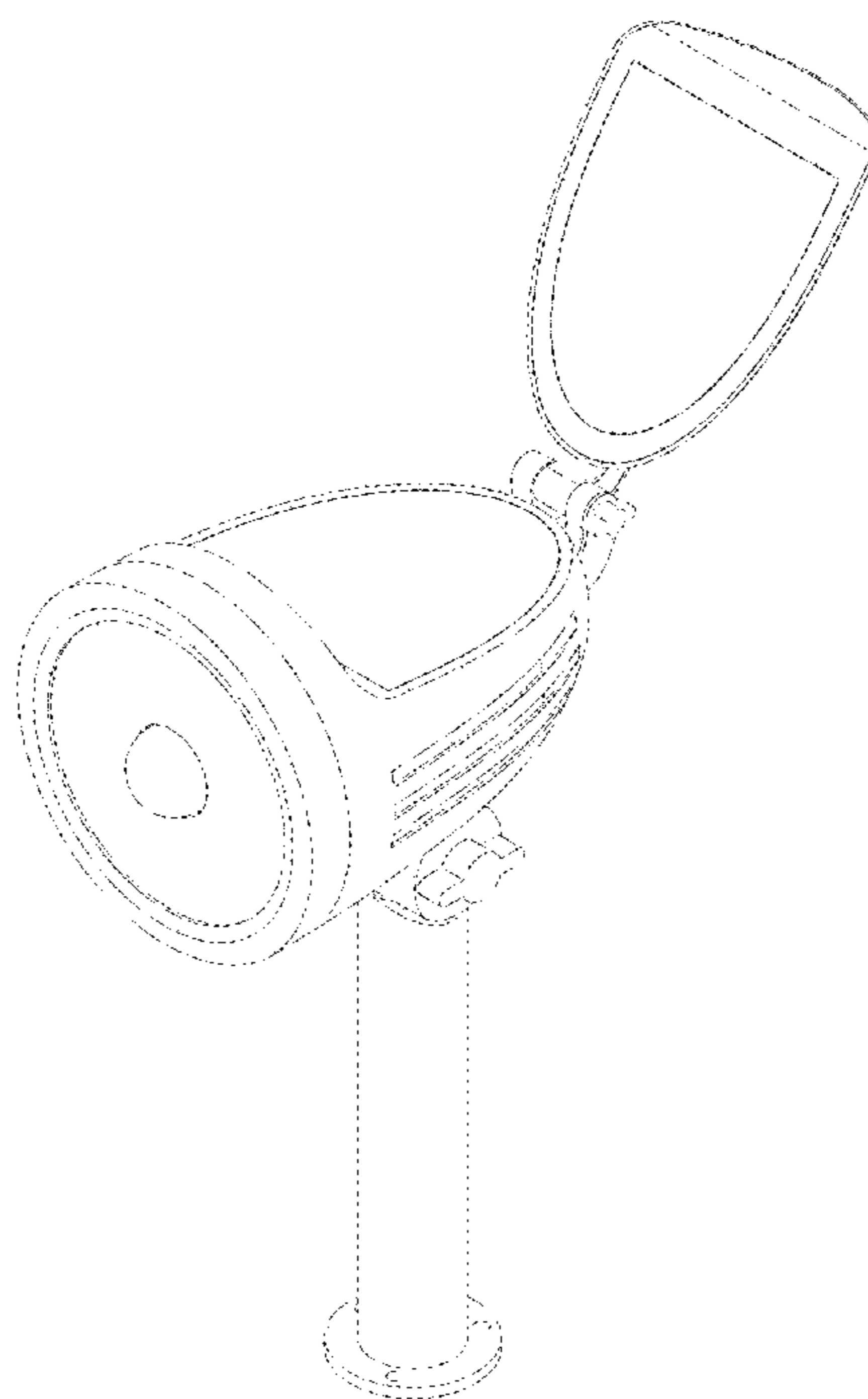
FIG. 1 is a front elevational view of a spike mounted light showing my new design;
FIG. 2 is a rear elevational view thereof;
FIG. 3 is a left side view in reduce scale thereof;
FIG. 4 is a right side view in reduce scale thereof;
FIG. 5 is a top plan view in enlarge scale thereof;
FIG. 6 is a bottom plan view in enlarge scale thereof;
FIG. 7 is a perspective view thereof;
FIG. 8 is a second perspective view thereof; and,
FIG. 9 is a third perspective view thereof.

1 Claim, 9 Drawing Sheets

(56) **References Cited**

U.S. PATENT DOCUMENTS

- D413,996 S * 9/1999 Andrus D26/63
- D574,532 S * 8/2008 Lee D26/63
- D574,988 S * 8/2008 Cheng D26/63
- D647,234 S * 10/2011 Izardel D26/65
- D654,605 S * 2/2012 Chen D26/63
- D654,606 S * 2/2012 Chen D26/63



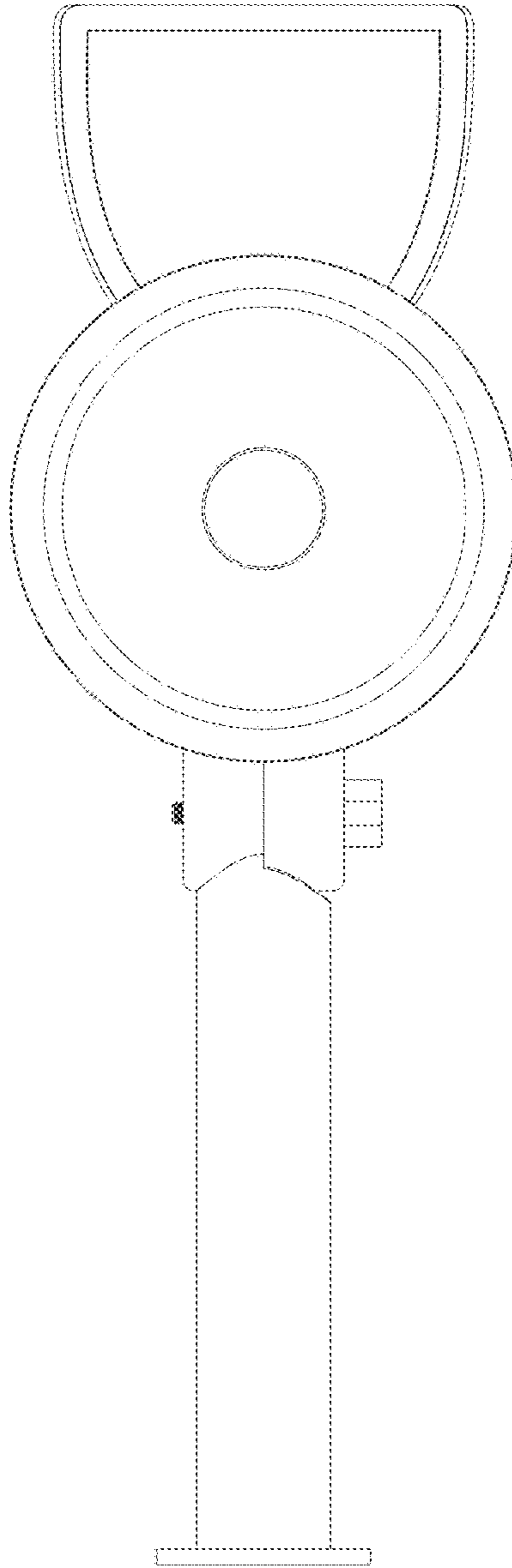


Fig. 1

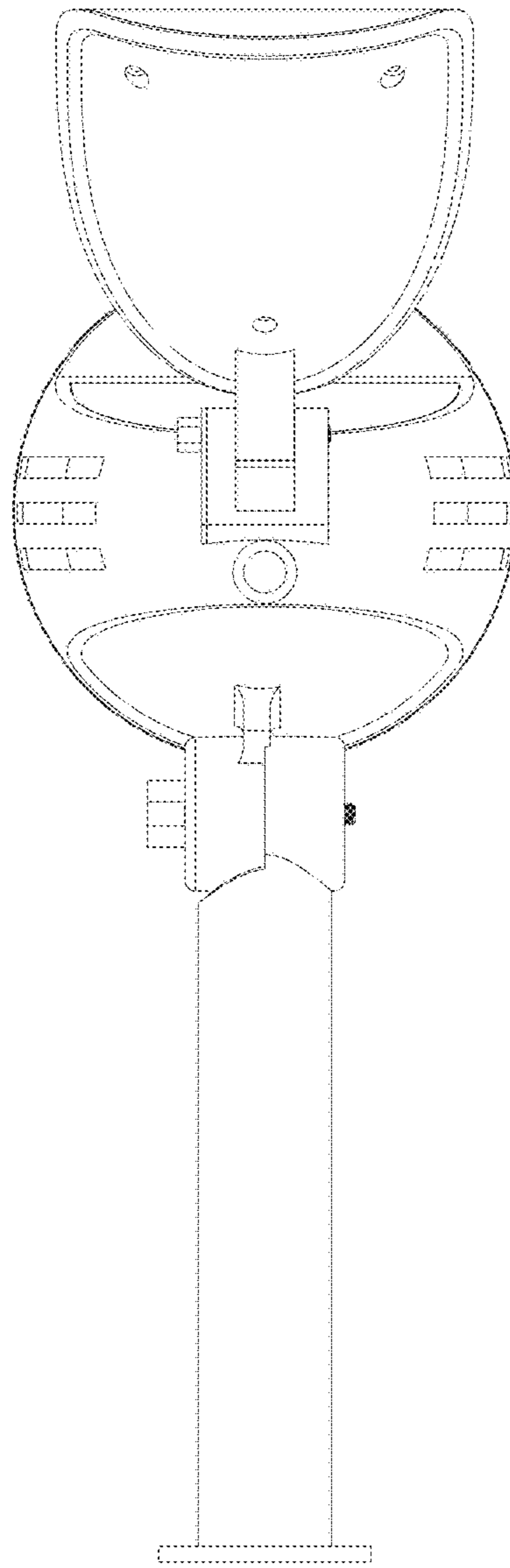


Fig. 2

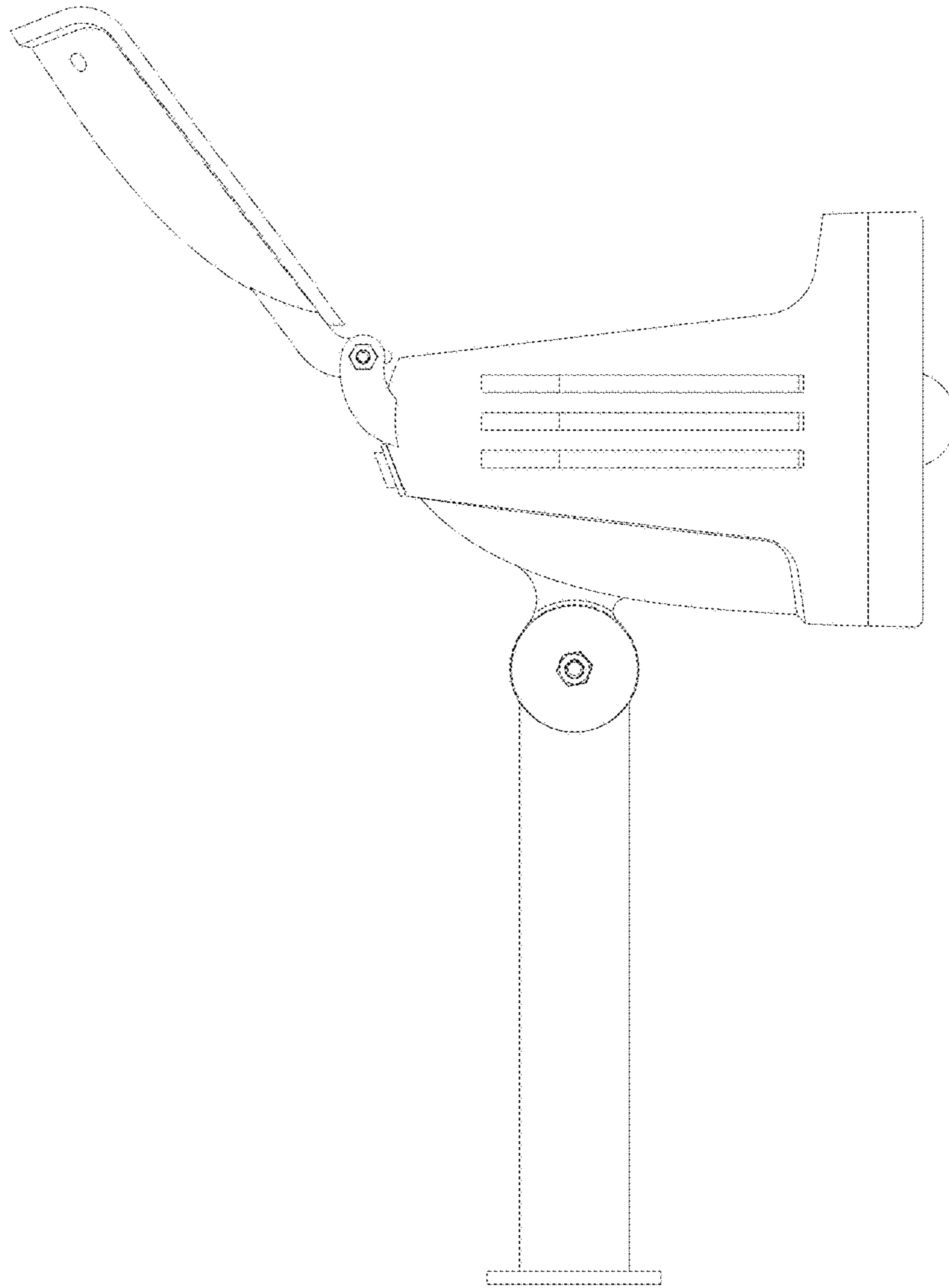


Fig. 3

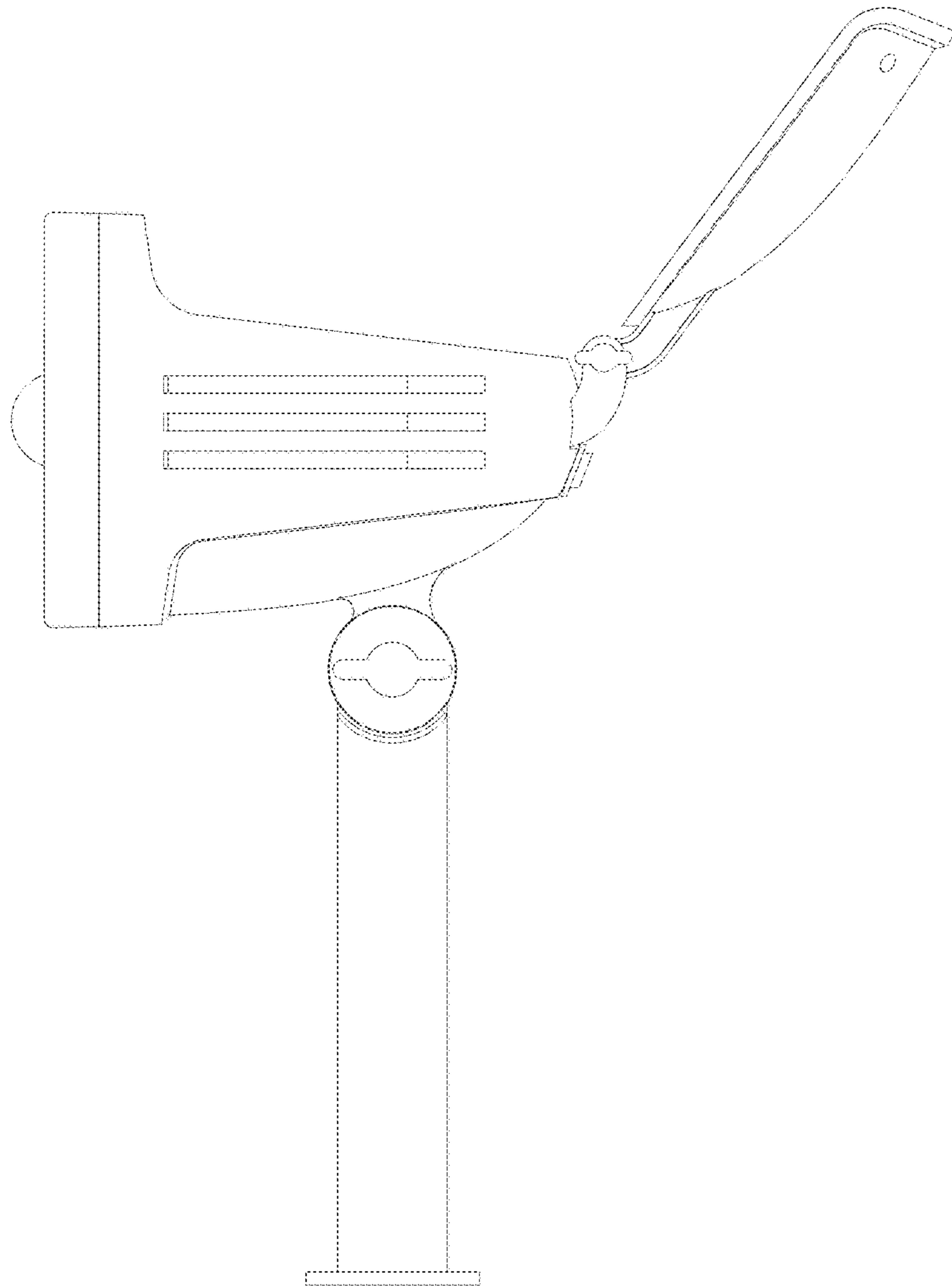


Fig. 4

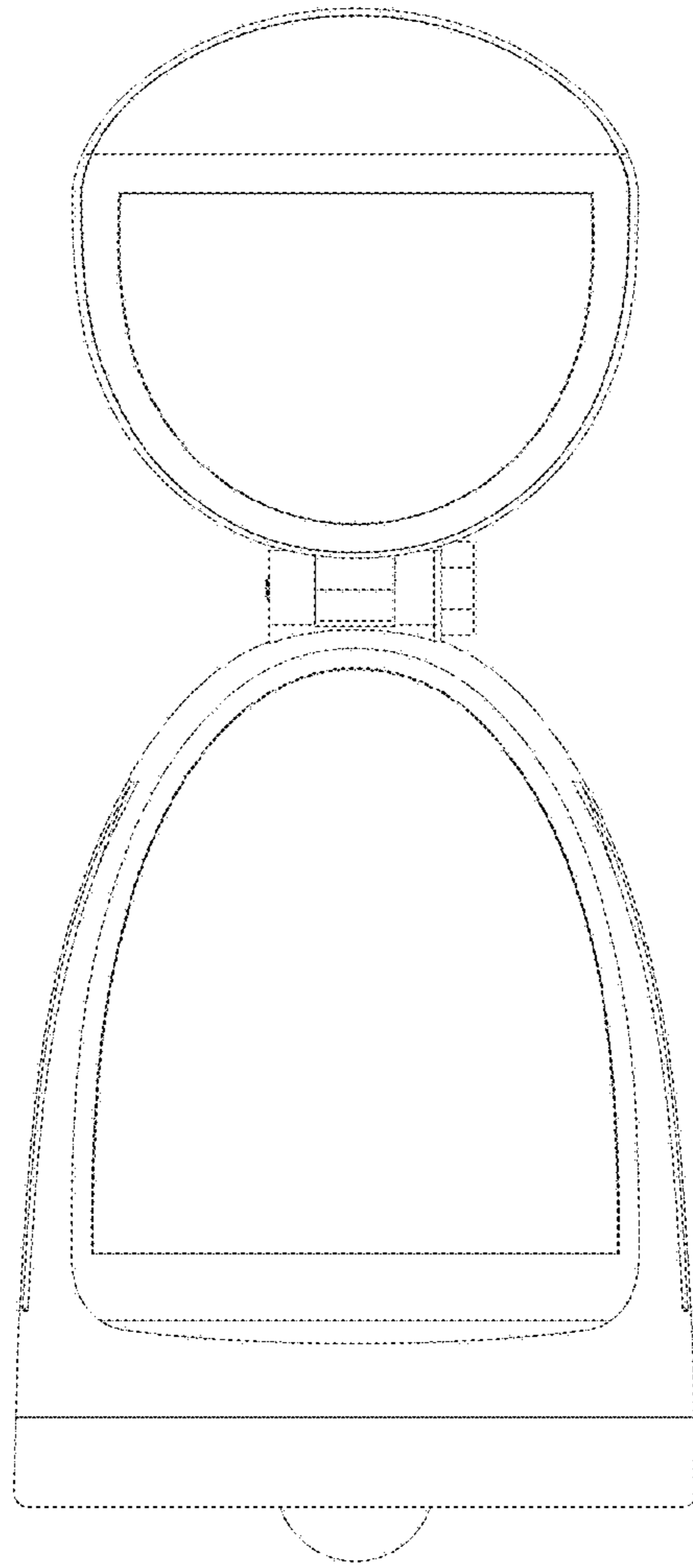


Fig. 5

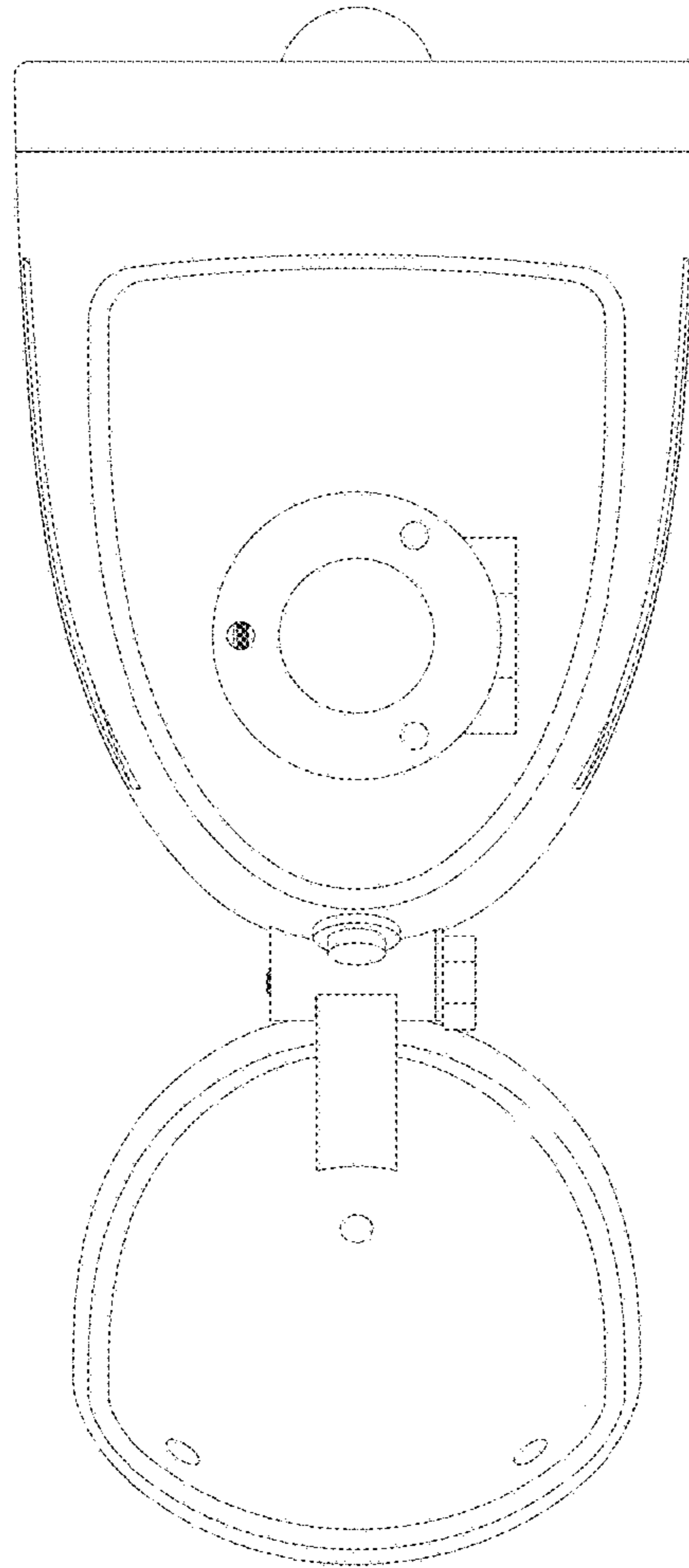


Fig. 6

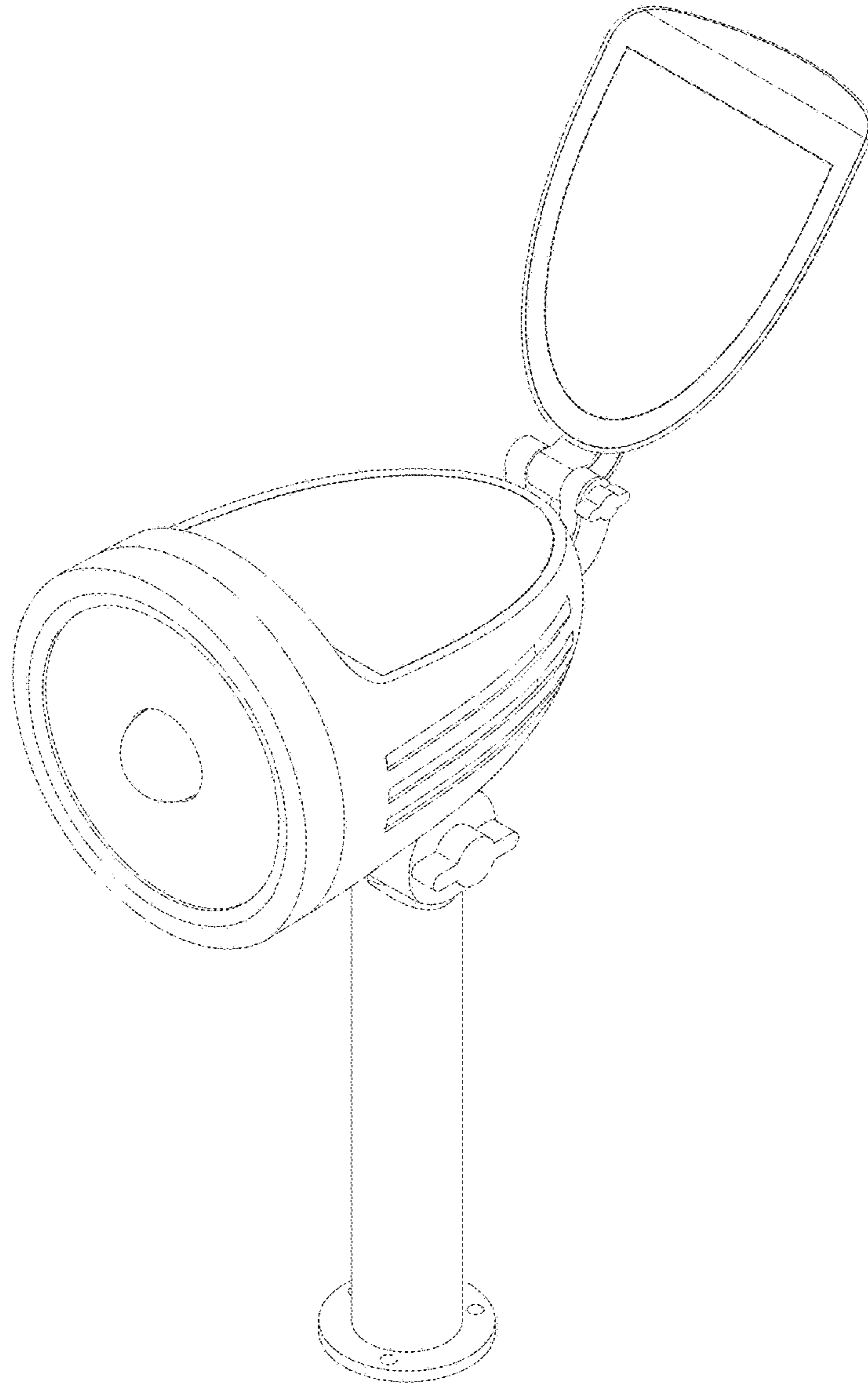


Fig. 7

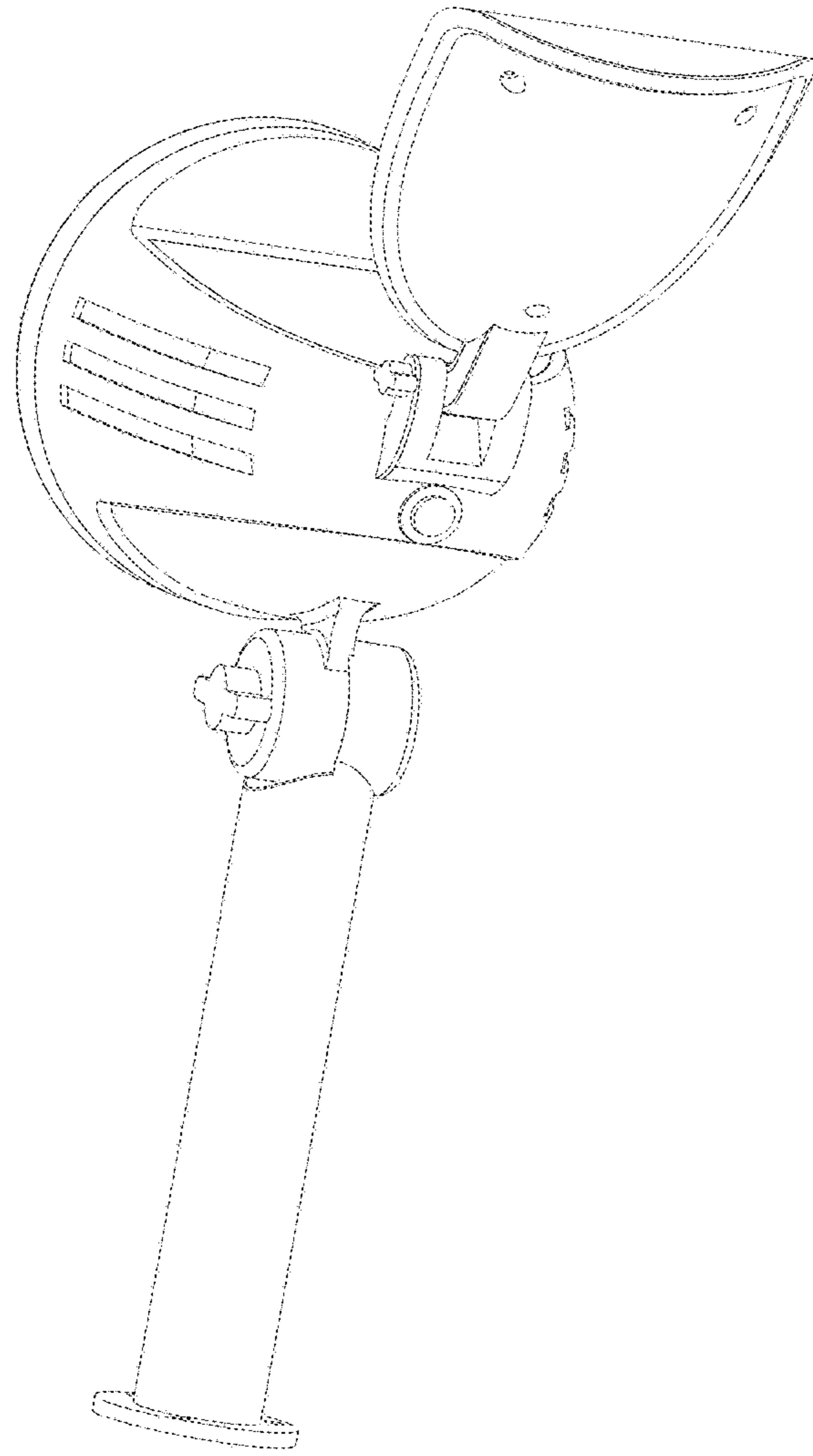


Fig. 8

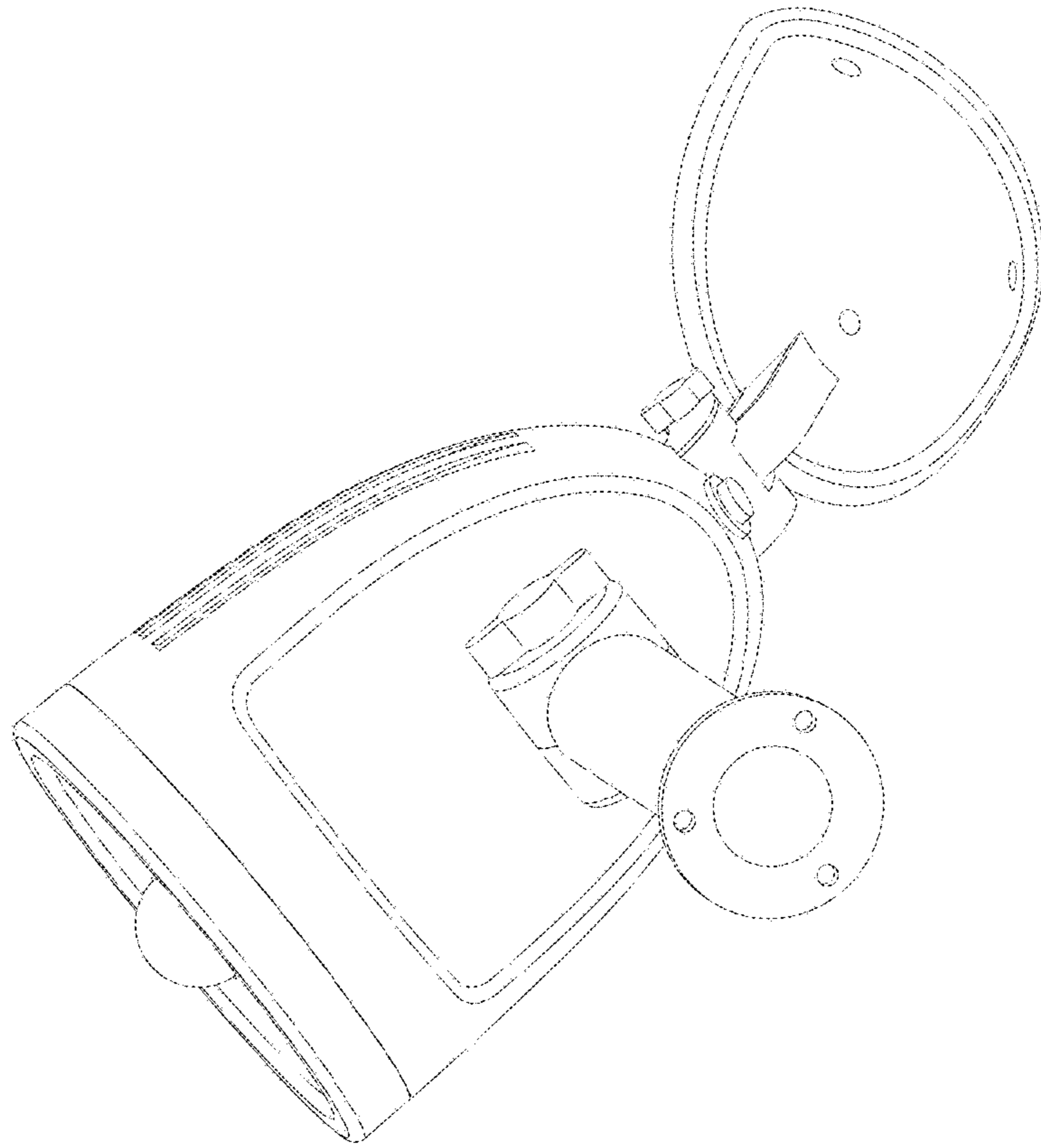


Fig. 9