



US00D857961S

(12) **United States Design Patent**
Mai

(10) **Patent No.:** **US D857,961 S**

(45) **Date of Patent:** **** Aug. 27, 2019**

(54) **DOWNLIGHTS**

(71) Applicant: **Quanhua Mai**, Zhongshan (CN)

(72) Inventor: **Quanhua Mai**, Zhongshan (CN)

(**) Term: **15 Years**

(21) Appl. No.: **29/645,552**

(22) Filed: **Apr. 27, 2018**

(51) **LOC (12) Cl.** **26-03**

(52) **U.S. Cl.**
USPC **D26/61**

(58) **Field of Classification Search**

USPC D26/24, 37, 44, 60, 61, 63-66, 72, 74,
D26/80, 81, 83, 85-87, 92, 102, 113

CPC F21S 8/00; F21S 8/003; F21S 8/04; F21S
8/043; F21S 8/08; F21V 14/00; F21V
14/02; F21V 15/01; F21V 17/02; F21V
19/00; F21V 21/00; F21V 21/02; F21V
21/06; F21V 21/14; F21V 21/26; F21V
21/30; F21V 23/02; F21V 23/04; F21V
29/00; F21V 33/00

See application file for complete search history.

Solar lights garden GRDE 300 lumens , dated May 26, 2018, [online], [site visited Apr. 9, 2019]. Available from Internet, <URL: <https://www.amazon.de/Solarleuchten-GRDE-Gartenleuchten-Au%C3%9Fenbeleuchtung-Einstellbarer/dp/B07BDHP7H5>> (Year: 2018).*
Brizled Motion Sensor Outdoor Lights, Solar Spotlights, dated Apr. 17, 2018, [online], [site visited Apr. 9, 2019]. Available from Internet, <URL: <https://www.amazon.com/dp/B07CGLMJS3>> (Year: 2018).*

* cited by examiner

Primary Examiner — Angela J Lee

Assistant Examiner — Shawn T Gingrich

(57) **CLAIM**

The ornamental design for downlights, as shown and described.

(56) **References Cited**

U.S. PATENT DOCUMENTS

D265,763 S *	8/1982	Franks	D26/64
D762,903 S *	8/2016	Tsai	D26/63
D810,982 S *	2/2018	Liang	D26/63
D822,246 S *	7/2018	Hou	D26/51
D837,431 S *	1/2019	Peng	D26/63

OTHER PUBLICATIONS

XTF2015 Outdoor Solar Spotlight, dated Sep. 1, 2018, [online], [site visited Apr. 9, 2019]. Available from Internet, <URL: <https://www.amazon.com/XTF2015-Spotlight-Upgraded-Waterproof-Security/dp/B07FGF6FW3>> (Year: 2018).*

DESCRIPTION

FIG. 1 is a front elevational view of downlights showing my new design;

FIG. 2 is a rear elevational view thereof;

FIG. 3 is a top plan view thereof;

FIG. 4 is a bottom plan view thereof;

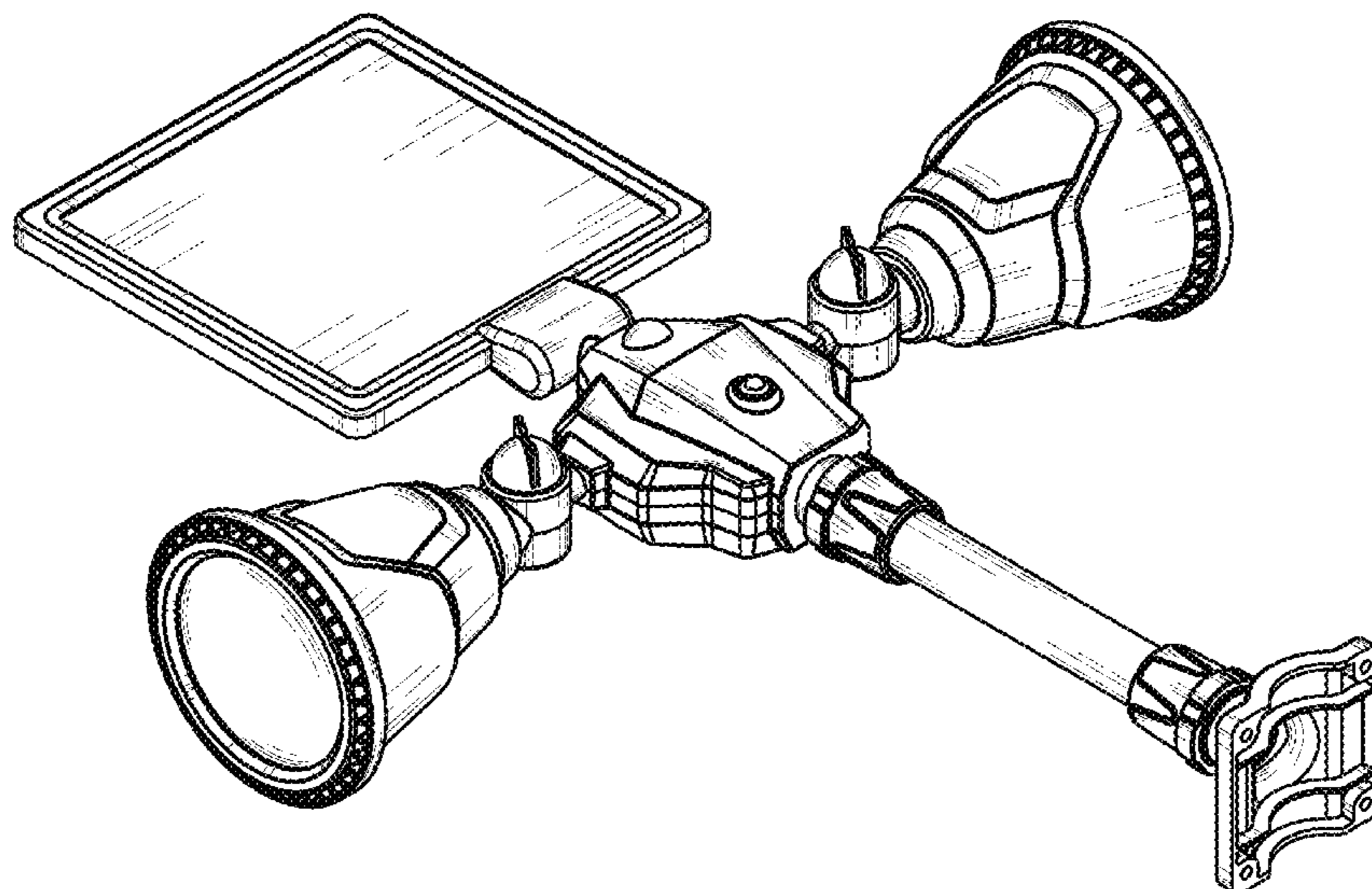
FIG. 5 is a left side elevational view thereof;

FIG. 6 is a right side elevational view thereof; and,

FIG. 7 is a perspective view thereof.

The broken lines depict environment that forms no part of the claimed design.

1 Claim, 7 Drawing Sheets



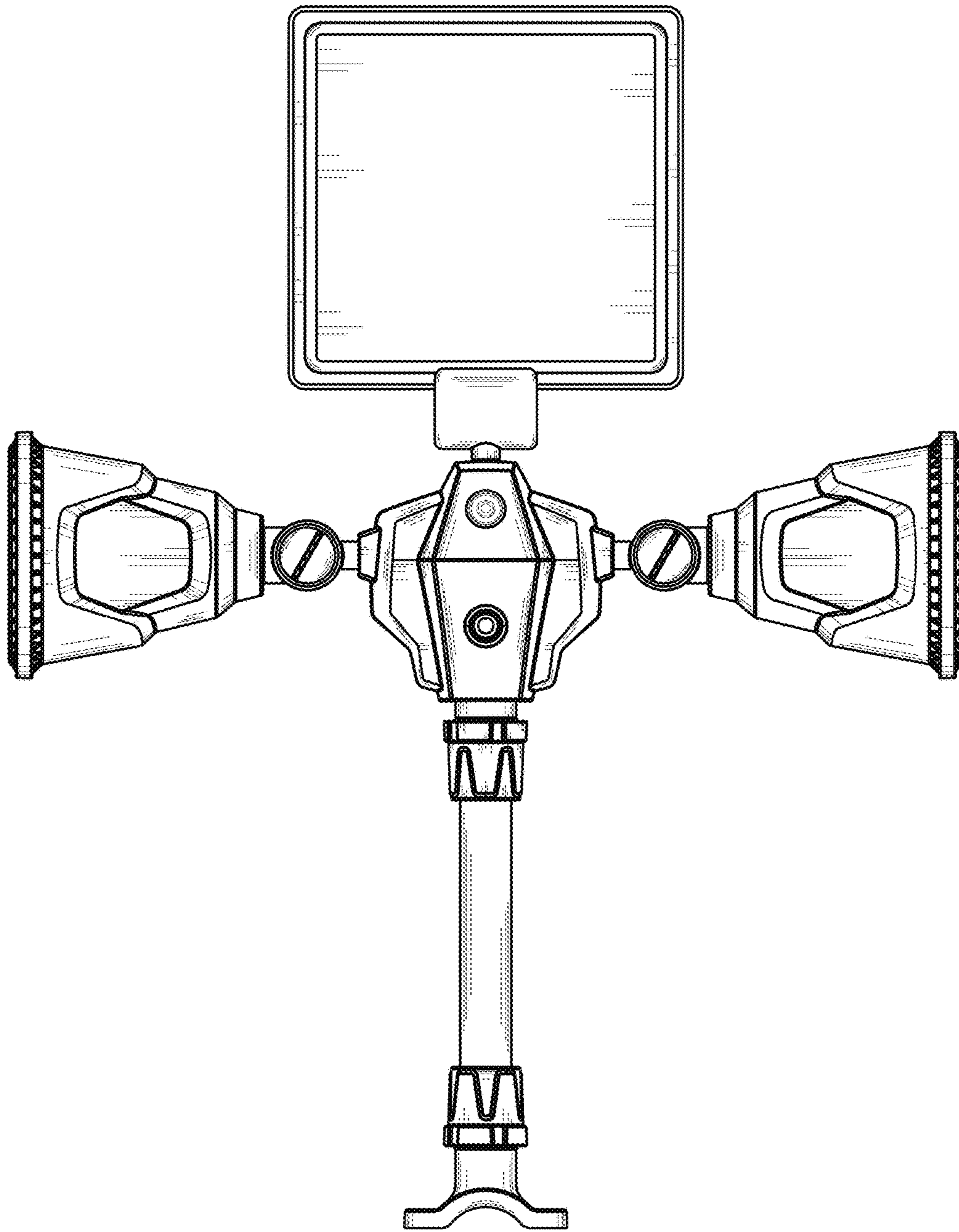


FIG.1

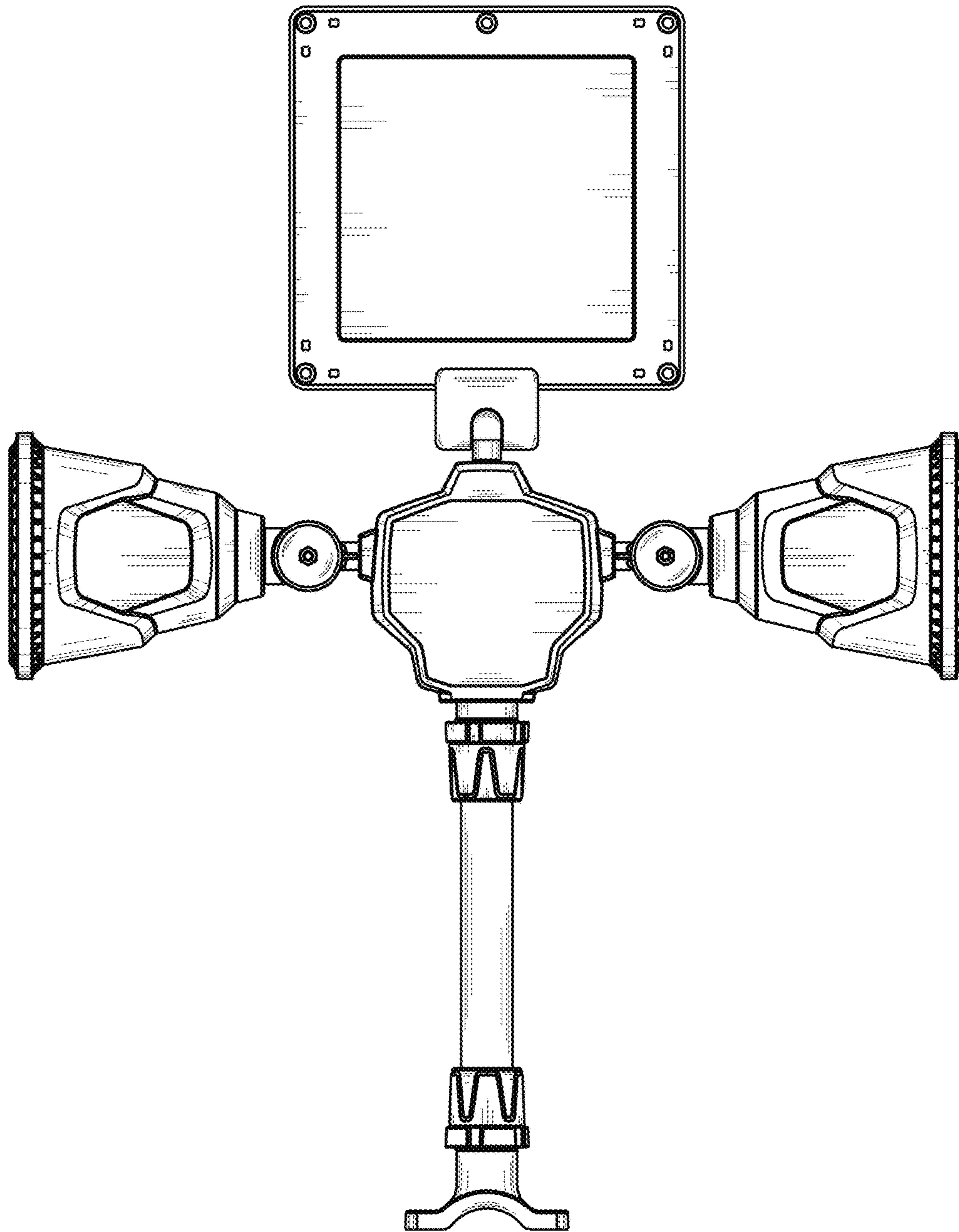


FIG.2

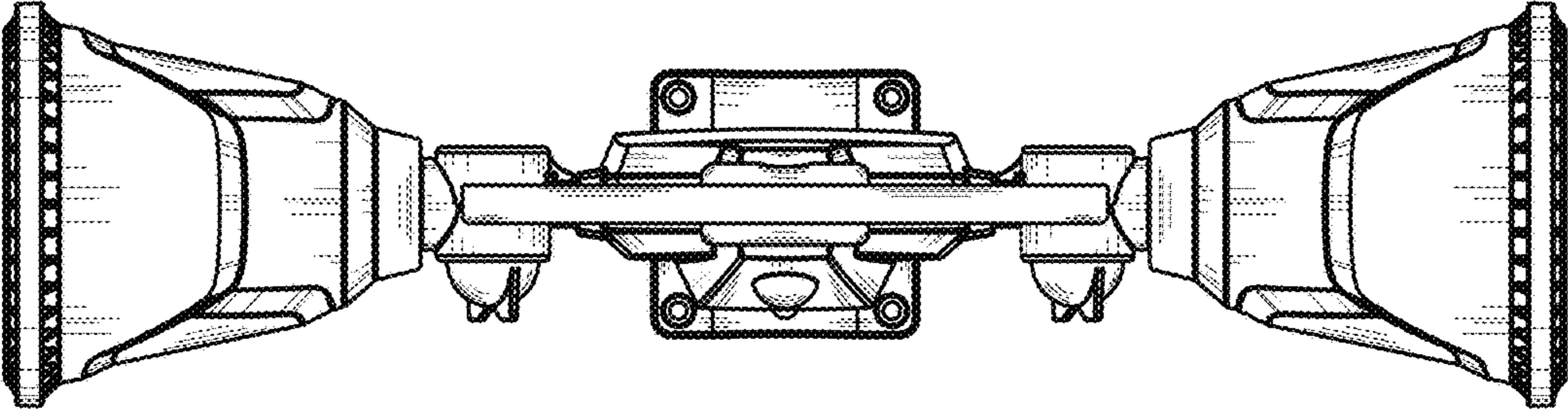


FIG.3

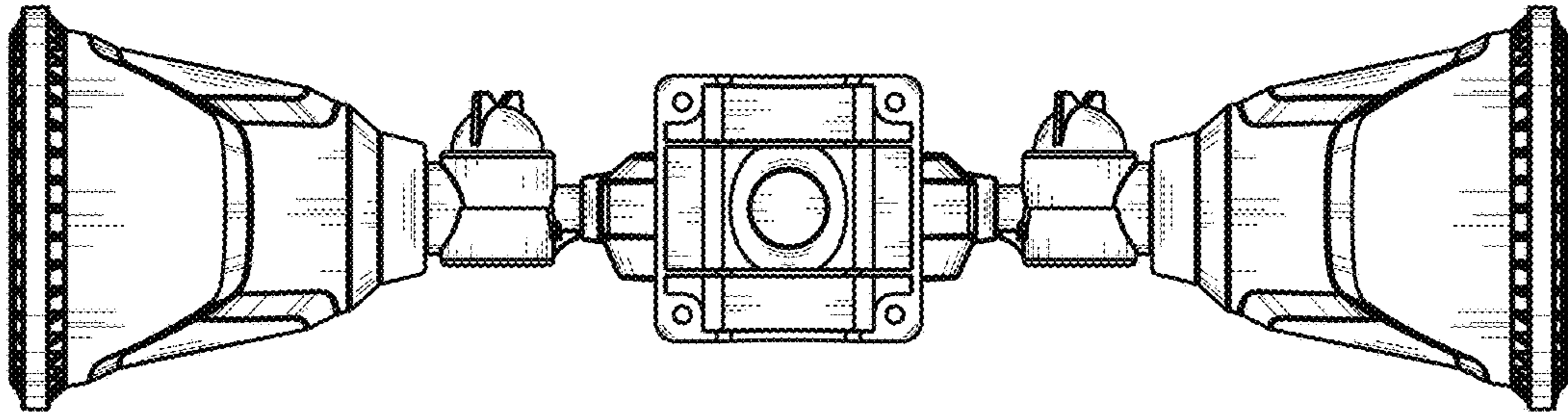


FIG.4

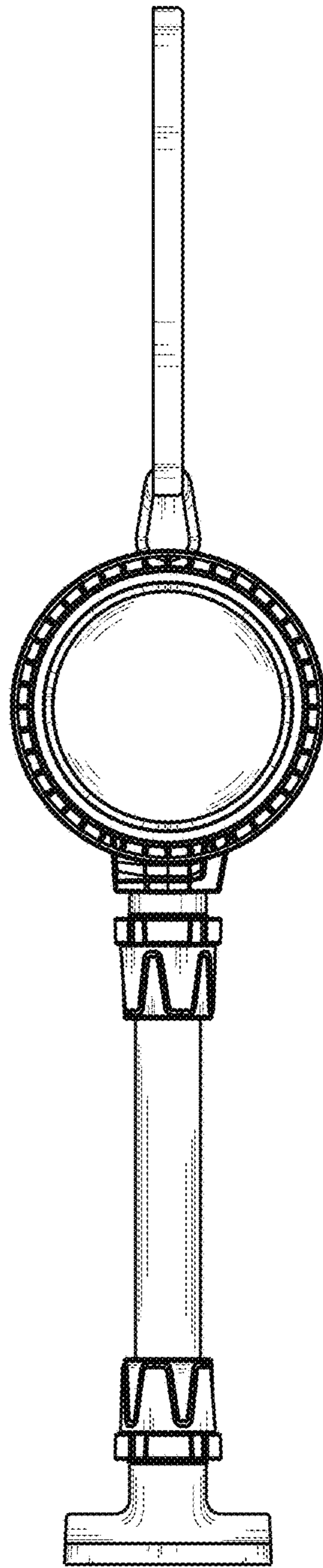


FIG.5

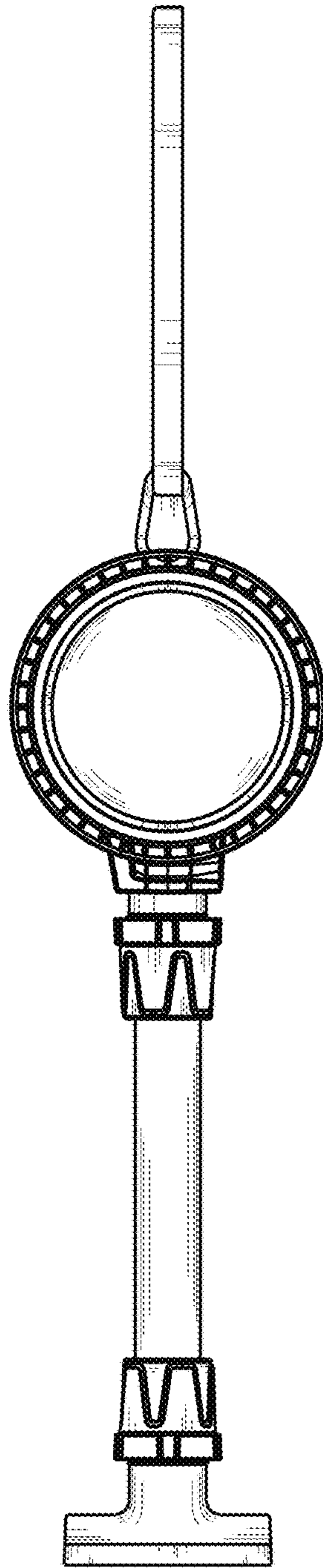


FIG.6

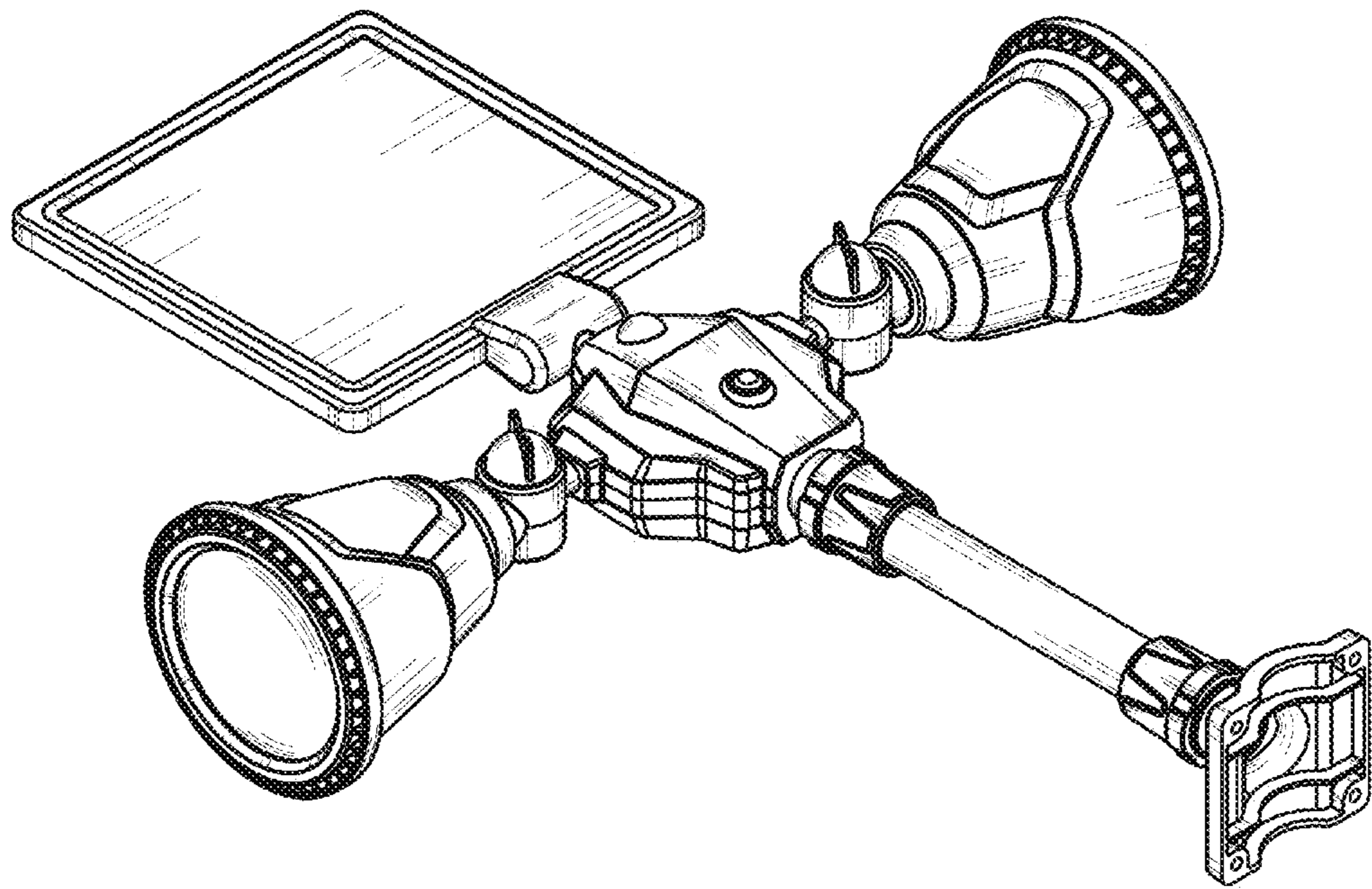


FIG.7