



US00D857960S

(12) **United States Design Patent**
Worman

(10) **Patent No.:** **US D857,960 S**

(45) **Date of Patent:** **** Aug. 27, 2019**

(54) **MOUNTABLE LIGHT**

(71) Applicant: **STREAMLIGHT, INC.**, Eagleville, PA (US)

(72) Inventor: **William D. Worman**, Phoenixville, PA (US)

(73) Assignee: **Streamlight, Inc.**, Eagleville, PA (US)

(**) Term: **15 Years**

(21) Appl. No.: **29/623,320**

(22) Filed: **Oct. 24, 2017**

(51) **LOC (12) Cl.** **26-03**

(52) **U.S. Cl.**
USPC **D26/60**

(58) **Field of Classification Search**
USPC D26/60, 34, 38, 39, 51; D22/108
CPC F41G 1/35; F41G 1/345; F41G 11/003;
F21L 2003/00; F21L 4/00
See application file for complete search history.

(56) **References Cited**

U.S. PATENT DOCUMENTS

2,546,242 A	3/1951	Stinson
2,597,565 A	5/1952	Chandler et al.
2,601,613 A	6/1952	Jahncke
3,153,856 A	10/1964	Felix
3,488,488 A	1/1970	Crouch
3,513,581 A	5/1970	Slater
3,877,166 A	4/1975	Ward
4,177,754 A	12/1979	James et al.
4,580,362 A	4/1986	Stevens
4,697,226 A	9/1987	Verdin
4,856,218 A	8/1989	Reynolds, Jr.
4,939,863 A	7/1990	Alexander et al.
5,042,186 A	8/1991	Bechtel
5,180,220 A	1/1993	Van Kalsbeek
5,400,540 A	3/1995	Solsinsky et al.
5,430,967 A	7/1995	Woodman, III et al.
5,581,898 A	12/1996	Thummel

5,584,137 A	12/1996	Teetzel
5,628,555 A	5/1997	Sharrah et al.
5,685,105 A	11/1997	Teetzel
5,758,448 A	6/1998	Thummel
5,816,683 A	10/1998	Christiansen
5,878,628 A	3/1999	Ongaro et al.
5,913,669 A	6/1999	Hansen et al.

(Continued)

FOREIGN PATENT DOCUMENTS

EP 3045857 7/2016

OTHER PUBLICATIONS

Streamlight, Inc., "Product Catalog," Jun. 2001, Front Cover, pp. 1, 8-11, 28-29, 32-33, Rear Cover.

(Continued)

Primary Examiner — Brian N. Vinson

(74) *Attorney, Agent, or Firm* — Clement A. Berard, Esq.; Dann, Dorfman, Herrell & Skillman, PC

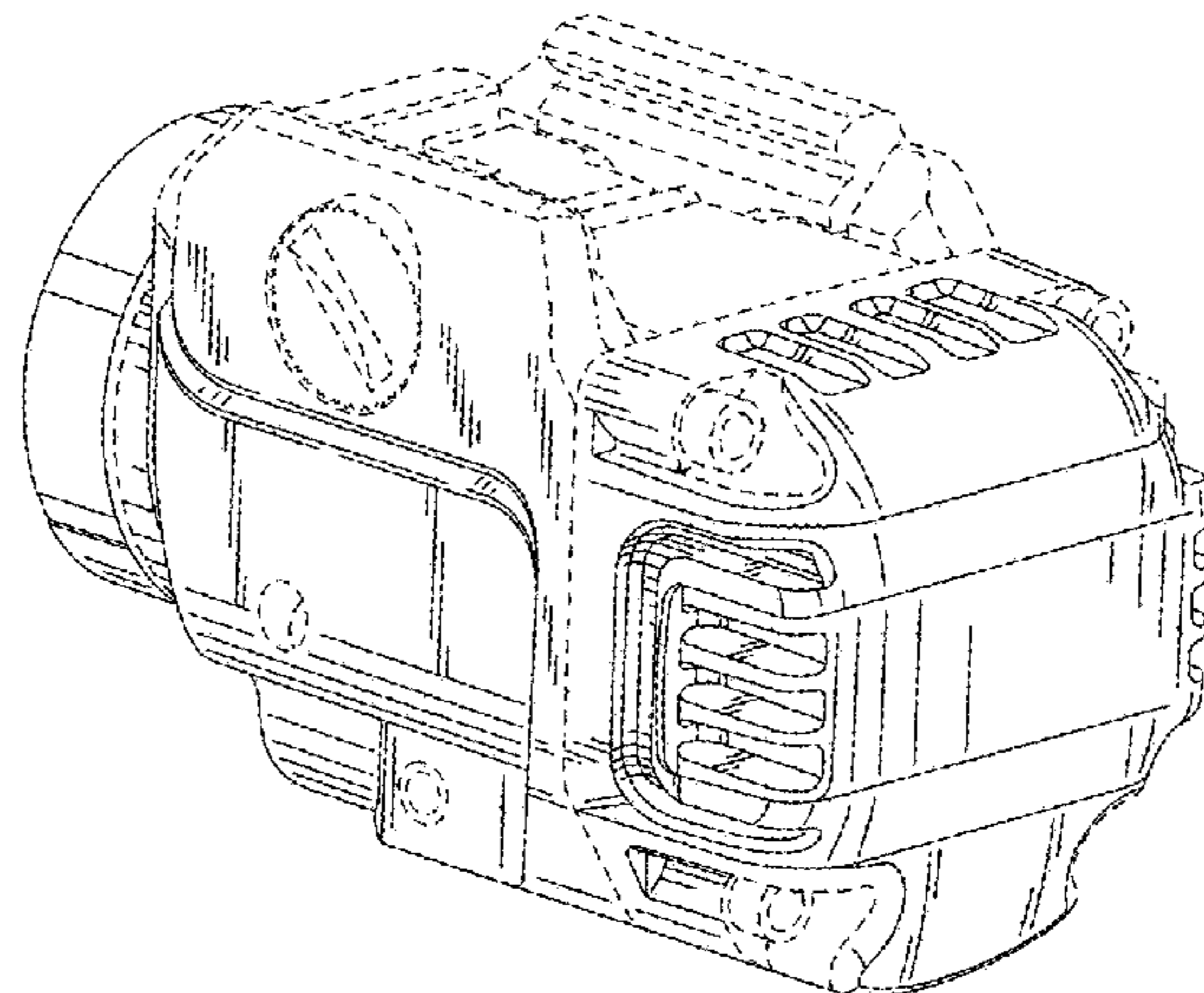
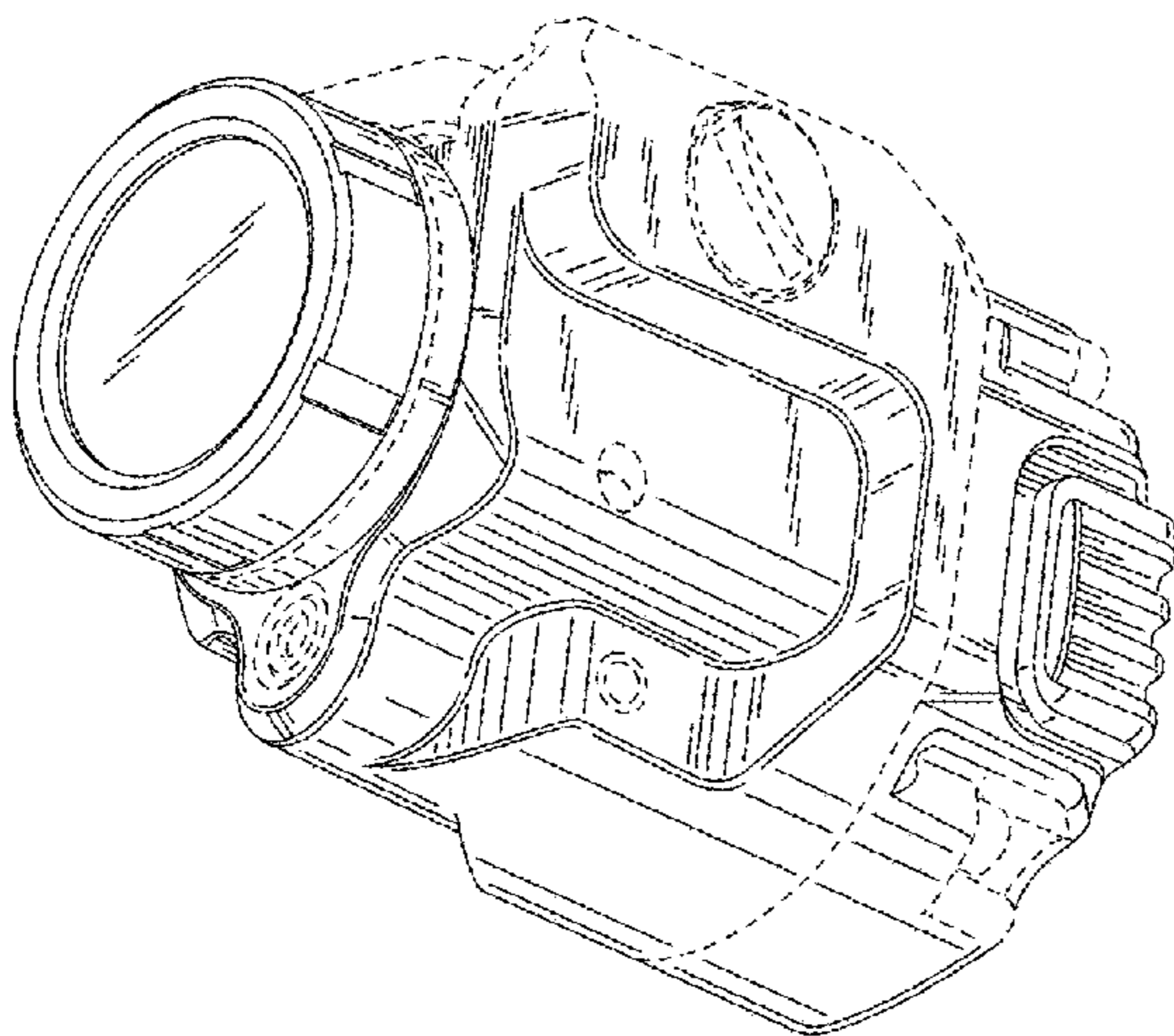
(57) **CLAIM**

The ornamental design for a mountable light, substantially as shown and described.

DESCRIPTION

FIG. 1 is a perspective view of an ornamental design for a mountable light;
FIG. 2 is a second perspective view thereof;
FIG. 3 is a side view of a first side thereof;
FIG. 4 is a side view of a second side thereof;
FIG. 5 is a side view of a third side thereof;
FIG. 6 is a side view of a fourth side thereof;
FIG. 7 is an end view of a first end thereof; and,
FIG. 8 is an end view of a second end thereof.
Broken lines in the drawing indicate unclaimed parts of the article that are not claimed herein, and that form no part of the claimed design.

1 Claim, 4 Drawing Sheets



(56)

References Cited

U.S. PATENT DOCUMENTS

6,073,901 A 6/2000 Richter
 6,115,952 A 9/2000 Rigler
 6,154,995 A 12/2000 Lenoir
 6,185,854 B1 * 2/2001 Solinsky F41G 11/003
 362/110
 6,230,431 B1 5/2001 Bear
 6,276,088 B1 8/2001 Matthews
 6,378,237 B1 4/2002 Matthews
 6,574,901 B1 6/2003 Solinsky et al.
 6,612,714 B1 9/2003 Morre et al.
 7,117,624 B2 10/2006 Kim
 7,188,978 B2 3/2007 Sharrah et al.
 D542,446 S * 5/2007 DiCarlo D26/38
 D543,446 S 5/2007 DiNenna
 D548,385 S 8/2007 Sharrah et al.
 7,260,912 B2 * 8/2007 Liu F41G 11/003
 42/124
 D567,894 S 4/2008 Sterling
 D568,508 S 5/2008 Howe et al.
 D578,599 S * 10/2008 Cheng D22/108
 D612,970 S * 3/2010 Sharrah D26/60
 7,726,061 B1 6/2010 Thummel
 7,735,255 B1 6/2010 Kincaid
 7,934,333 B1 5/2011 Tuz
 8,169,165 B2 5/2012 West
 8,256,154 B2 9/2012 Danielson
 D673,709 S 1/2013 Sharrah
 D674,525 S 1/2013 Sharrah et al.
 D674,858 S 1/2013 Galli
 8,510,979 B1 8/2013 Mortimer
 8,683,731 B2 4/2014 Kowalczyk
 8,683,733 B2 4/2014 Gross
 8,713,844 B2 5/2014 Tuller, Jr.
 8,760,085 B2 6/2014 West
 D709,981 S 7/2014 Johnston
 8,904,698 B2 12/2014 Riley
 8,915,009 B2 12/2014 Caulk
 9,035,576 B2 5/2015 West
 D738,455 S 9/2015 Homem de Mello Anderson
 D738,457 S 9/2015 Johnston
 9,182,194 B2 11/2015 Moore
 D757,311 S * 5/2016 Nagano D26/60
 9,341,440 B2 5/2016 Moore
 9,488,439 B2 11/2016 Galli
 D781,983 S * 3/2017 Wells D22/108
 9,658,031 B1 5/2017 Hedeon
 D790,097 S * 6/2017 Port D26/39
 D796,622 S 9/2017 Sharrah
 9,772,163 B2 9/2017 Sharrah et al.
 D812,178 S * 3/2018 Galli D22/108
 2002/0100204 A1 8/2002 Kim
 2002/0148153 A1 10/2002 Thorpe
 2003/0007355 A1 1/2003 Leen
 2004/0068913 A1 4/2004 Solinsky et al.
 2004/0169119 A1 9/2004 Crowell et al.
 2005/0246937 A1 11/2005 Kim
 2006/0083008 A1 4/2006 Yu
 2006/0083009 A1 4/2006 Hsu
 2008/0120891 A1 5/2008 Wei
 2009/0013580 A1 1/2009 Houde-W alter et al.
 2010/0097789 A1 4/2010 Sharrah
 2010/0176741 A1 7/2010 Sharrah et al.
 2012/0124885 A1 5/2012 Caulk
 2012/0144718 A1 6/2012 Danielson
 2013/0074351 A1 3/2013 Kowalczyk
 2013/0145672 A1 6/2013 Tuller
 2015/0102743 A1 4/2015 West
 2015/0113851 A1 4/2015 Bensayan
 2015/0159847 A1 6/2015 Galli
 2015/0192391 A1 7/2015 Moore
 2015/0233668 A1 8/2015 Moore
 2015/0276347 A1 10/2015 Sharrah
 2015/0276352 A1 10/2015 Chang et al.
 2016/0021329 A1 1/2016 Sakiewicz

2016/0209167 A1 7/2016 Wells
 2016/0209168 A1 7/2016 Sharrah et al.
 2016/0305742 A1 10/2016 Kowalczyk

OTHER PUBLICATIONS

Streamlight, Inc., "M2 Universal Tactical Light," Product Package, Prior to Oct. 24, 2006, 1 Pg.
 Streamlight, Inc., "M2 Universal Tactical Light," Operator's Manual, Oct. 2003, 2 Pages.
 Streamlight, Inc., "M-3 LED Tactical Navigation Light," Dated: 2002, Eagleville, PA, 2 Pages.
 Streamlight, Inc., "M-6 Tactical Laser Illuminator," Dated 2003, Eagleville, PA, 2 Pages.
 Streamlight, Inc., "Introducing the All-New MIL-SPEC X-Series—Trusted Tactical Lights Taken to the X-treme," Dated: Oct. 2003, Eagleville, PA, 2 Pages.
 Streamlight, Inc., "L.A.M. Laser Aiming Module," Dated 2000, Eagleville, PA, 2 Pages.
 Streamlight, Inc., "Tactical Series Specifications," http://www.streamlight.com/tactical_specifications.htm, Printed Oct. 28, 2004, 3 Pages.
 Streamlight, Inc., "Tactical Series Parts & Accessories," Specifications, http://www.streamlight.com/tactical_accessories.htm, Printed Oct. 28, 2004, 2 Pages.
 Streamlight, Inc., Streamlight M-3 LED, Streamlight Products, http://www.streamlight.com/m3led_specs.htm, Printed Oct. 28, 2004, 1 Page.
 Streamlight, Inc., Streamlight M-6, M-6 Tactical Laser Illuminator Specifications, http://www.streamlight.com/m6_specifications.htm, Printed Oct. 28, 2004, 1 Page.
 Streamlight, Inc., "Streamlight Laser Aiming Module (L.A.M.)," Streamlight Products, http://www.streamlight.com/lam_specs.htm, Printed Oct. 28, 2004, 2 Pages.
 Streamlight, Inc., "X-Series Specifications", http://www.streamlight.com/x-series_specs.htm, Printed Oct. 28, 2004, 2 Pages.
 Streamlight, Inc., "Tactical Gun Mount Series—TLR-1", <http://www.streamlight.com/product/product.aspx?pid=80>, Printed Sep. 18, 2006, 1 Page.
 Streamlight, Inc., "Tactical Gun Mount Series—TLR-2 With Laser Sight", <http://www.streamlight.com/product/product.aspx?pid=81>, Printed Sep. 18, 2006, 1 Page.
 Streamlight, Inc., "Tactical Gun Mount Series—TLR-1", <http://streamlight.com/product/product.aspx?pid=80>, Printed Mar. 9, 2009, 2 pages.
 First Samco, "Tactical Light Holder," First Samco Tactical Accessories for AR15 & M/16, <http://www.firstsamco.com/catalog/productdetail.php?ID=4>, Printed Nov. 4, 2004, 1 Page.
 First Samco, "Images for Tactical Light Holder," First Samco Tactical Accessories for AR15 & M/16, <http://www.firstsamco.com/catalog/moreimages.php?ID=4>, Printed Nov. 4, 2004, 1 Pg.
 Insight Technology, Inc., M2 UTL Universal Tactical Light (with Photos), © 2004, <http://www.insightlights.com/products/showProduct.asp?id=1>, Printed Nov. 8, 2005, 4 Pgs.
 Insight Technology, Inc., "M3X Tactical Illuminator," © 2004, <http://www.insightlights.com/products/showProduct.asp?id=6>, Printed Oct. 28, 2004, 2 Pages.
 Insight Technology, Inc., "M6 Tactical Illuminator (with Photos)," © 2004, <http://www.insightlights.com/products/showProduct.asp?id=9>, Printed Oct. 28, 2004, 5 Pages.
 Insight Technology, Inc., "M6X Tactical Illuminator (with Photos)," © 2004 <http://www.insightlights.com/products/showProduct.asp?id=11>, Printed Oct. 28, 2004, 6 Pgs.
 Insight Technology, Inc., "XML X-treme Mini Light", © 2004, <http://www.insightlights.com/products/showProduct.asp?id=2>, Printed Oct. 28, 2004, 1 Page.
 Insight Technology, Inc., "Tactical Lights by Insight Technology Inc. (UTL, M3, LAM)—Products by Product Index", © 2001, <http://www.insightlights.com/oldsite/prodbyproducts.htm>, Printed Sep. 18, 2006, 1 Page.

(56)

References Cited

OTHER PUBLICATIONS

Insight Technology, Inc., “Tactical Lights by Insight Technology Inc. (UTL, M3, LAM)—The M3 Tactical Light”, © 2001, http://www.insightlights.com/oldsite/prod_m3.htm, Printed Sep. 18, 2006, 1 Page.

Insight Technology, Inc., “Tactical Lights by Insight Technology Inc. (UTL, M3, LAM)—M3 Photo Gallery”, © 2001, http://www.insightlights.com/oldsite/gallery_m3.htm, Printed Sep. 18, 2006, 1 Page.

Insight Technology, Inc., “Tactical Lights by Insight Technology Inc. (UTL, M3, LAM)—The M3-LED Tactical Illuminator”, © 2001, http://www.insightlights.com/oldsite/prod_m3led.htm, Printed Sep. 18, 2006, 2 Pages.

Insight Technology, Inc., “Tactical Lights by Insight Technology Inc. (UTL, M3, LAM)—M3-LED Photo Gallery”, © 2001, http://www.insightlights.com/oldsite/gallery_m3led.htm, Printed Sep. 18, 2006, 1 Page.

Insight Technology, Inc., “Tactical Lights by Insight Technology Inc. (UTL, M3, LAM)—The M4 and M4-Pro Tactical Light”, © 2001, http://www.insightlights.com/oldsite/prod_m4.htm, Printed Sep. 18, 2006, 1 Page.

Insight Technology, Inc., “Tactical Lights by Insight Technology Inc. (UTL, M3, LAM)—M4 & M4-Pro Photo Gallery”, © 2001, http://www.insightlights.com/oldsite/gallery_m4.htm, Printed Sep. 18, 2006, 1 Page.

Insight Technology, Inc., “Tactical Lights by Insight Technology Inc. (UTL, M3, LAM)—The M5 Tactical Light”, © 2001, http://www.insightlights.com/oldsite/prod_m5.htm, Printed Sep. 18, 2006, 1 Page.

Insight Technology, Inc., “Tactical Lights by Insight Technology Inc. (UTL, M3, LAM)—M5 Photo Gallery”, © 2001, http://www.insightlights.com/oldsite/gallery_m5.htm, Printed Sep. 18, 2006, 1 Page.

Insight Technology, Inc., “Tactical Lights by Insight Technology Inc. (UTL, M3, LAM)—The M6 Tactical Laser Illuminator”, © 2001, http://www.insightlights.com/oldsite/prod_m6.htm, Printed Sep. 18, 2006, 2 Pages.

Insight Technology, Inc., “Tactical Lights by Insight Technology Inc. (UTL, M3, LAM)—M6 Photo Gallery”, © 2001, http://www.insightlights.com/oldsite/gallery_m6.htm, Printed Sep. 18, 2006, 1 Page.

Insight Technology, Inc., “Tactical Lights by Insight Technology Inc. (UTL, M3, LAM)—Laser Aiming Module (LAM)”, © 2001, http://www.insightlights.com/oldsite/prod_lam.htm, Printed Sep. 18, 2006, 2 Pages.

Insight Technology, Inc., “Tactical Lights by Insight Technology Inc. (UTL, M3, LAM) LAM Photo Gallery”, © 2001, http://www.insightlights.com/oldsite/gallery_lam.htm, Printed Sep. 18, 2006, 1 Page.

Insight Technology, Inc., “Tactical Lights by Insight Technology Inc. (UTL, M3, LAM)—Parts & Accessories Photo Gallery”, © 2001, http://www.insightlights.com/oldsite/gallery_access.htm, Printed Sep. 18, 2006, 2 Pages.

Insight Technology, Inc., “X-treme Functionality . . . XTI Procyon”, © 2008, <http://www.insightlights.com/products-procyon.htm>, Printed Mar. 12, 2009, 1 page.

Insight Technology, Inc., “X-treme Design . . . X2”, © 2008, <http://www.insightlights.com/products-x2.htm>, Printed Mar. 12, 2009, 1 page.

Insight Technology, Inc., “X2 Sub-Compact Operator Manual”, Rev. Apr. 2005, 6 pages.

Surefire, “Laser Sights,” Weapon mounted laser sights from SureFire, © 2001-2004, http://www.surefire.com/maxexp/main/co_disp/displ/pgrfnbr/364/sesent/00, Printed Oct. 28, 2004, 1 Page.

Surefire, “Weapon Lights,” Lights for weapons including handguns, shotguns, and rifles, © 2001-2004, http://www.surefire.com/maxexp/main/co_disp/displ/pgrfnbr/211/sesent/00, Printed Oct. 28, 2004, 1 Page.

Surefire, “Handgun Weapon Lights,” Handgun Tactical Weapon Lights provided by SureFire, © 2001-2004, http://www.surefire.com/maxexp/main/co_disp/displ/carfnbr/91/sesent/00, Printed Oct. 28, 2004, 2 Pages.

Surefire, “Products,” X200 Weapon Light—X200 available from SureFire, © 2001-2004, http://www.surefire.com/maxexp/main.pl?pgm-co_disp&func-displ&strfnbr=6&prfnbr=1110& . . ., Printed Oct. 28, 2004, 2 Pages.

Surefire, “SureFire Integrated Shotgun Weapon Lights,” Shotgun Weapon Lights provided by SureFire, © 2001-2004, http://www.surefire.com/maxexp/main/co_disp/displ/carfnbr/92/sesent/00, Printed Oct. 28, 2004, 1 Page.

Surefire, “Rifle, Carbine & SMG Light Systems,” Rifle, Carbine & SMG Weapon Lights Systems provided by SureFire, © 2001-2004, http://www.surefire.com/maxexp/main/co_disp/displ/carfnbr/93/sesent/00, Printed Oct. 28, 2004, 1 Page.

Surefire, “Rifle, Carbine & SMG Light Systems,” Millennium Forends provided by SureFire, © 2001-2004, http://www.surefire.com/maxexp/main/co_disp/displ/carfnbr/265/sesent/00, Printed Oct. 28, 2004, 1 Page.

Surefire, “Rifle, Carbine & SMG Light Systems,” Millennium Universal Weapon Lights provided by SureFire, © 2001-2004, http://www.surefire.com/maxexp/main/co_disp/displ/carfnbr/267/sesent/00, Printed Oct. 28, 2004, 1 Page.

Surefire, “Rifle, Carbine & SMG Light Systems,” Millennium Vertical Foregrip System provided by SureFire, © 2001-2004, http://www.surefire.com/maxexp/main/co_disp/displ/carfnbr/266/sesent/00, Printed Oct. 28, 2004, 1 Page.

Surefire, “Rifle, Carbine & SMG Light Systems,” Classic Series Weapon Lights provided by SureFire, © 2001-2004, http://www.surefire.com/maxexp/main/co_disp/displ/carfnbr/271/sesent/00, Printed Oct. 28, 2004, 1 Page.

Surefire, “Weapon Mounts,” SureFire Weapon Mounts, © 2001-2004, http://www.surefire.com/maxexp/main/co_disp/displ/pgrfnbr/378/sesent/00, Printed Oct. 28, 2004, 1 Page.

Surefire, “Products Weapon Mounts,” Picatinny forends provided by SureFire, © 2001-2004, http://www.surefire.com/maxexp/main/co_disp/displ/carfnbr/312/sesent/00, Printed Oct. 28, 2004, 1 Page.

Surefire, “Products Weapon Mounts,” S.I.R. System C (Selective Integrated Rail)—M61 available from SureFire, © 2001-2004, http://www.surefire.com/maxexp/main/co_disp/displ/prrfnbr/824/sesent/00, Printed Oct. 28, 2004, 1 Page.

Falcon Tactical, “Sig Sauer Stoplite Vertical Grip with Weaponlight”, <http://www.falcontactical.net/sigsastvegrw.html>, © 2006-2009, 2 pages.

Laserlyte, “Sight TGL DB .380/9MM Tan”, printed Jan. 13, 2015, 4 pages, <http://www.laserlyte.com/products/sight-tgl-diamondback-380-9mm-tan>.

Laserlyte, “Glock Lasers”, printed Jan. 13, 2015, 1 page, <http://www.laserlyte.com/collections/glock>.

Laserlyte, “Springfield XD/XDM/XDS Lasers”, printed Jan. 13, 2015, 1 page, <http://www.laserlyte.com/collections/xd-xdm-xds>.

Laserlyte, “SCCY Laser Sight”, printed Jan. 13, 2015, 1 page, <http://laserlyte.com/collections/sccy-laser-sight>.

Laserlyte, “Hi-Point Laser”, printed Jan. 13, 2015, 1 page, <http://www.laserlyte.com/collections/hi-point-laser>.

Laserlyte, “Closeouts”, printed Jan. 13, 2015, 1 page, <http://www.laserlyte.com/collections/discontinued-closeouts>.

Laserlyte, “UTA-DB Diamondback Laser”, Rev Aug. 13, 2 pages.

Diodes Incorporated, “PAM2804 1A Step Down Constant Current, High Efficiency LED Driver”, Jan. 2013, 10 pages.

Microchip Technology, Inc., “PIC12F7525/HV752 Data Sheet, 8-Pin, Flash-Based 8-Bit CMOS Microcontrollers”, © 2011, 210 pages.

Crimson Trace Corporation, “Crimson Trace CMR-202 Rail Master”, Instruction Handbook, 27-1455 REV001 Apr. 12, 2 pages.

European Patent Office, “European Search Report, EP Application No. 16150798”, May 19, 2016, 8 pages.

Streamlight, Inc., “TLR-6 Subcompact Gun-Mounted Tactical Light With Integrated Red Aiming Laser”, © 2016, 5 pages, www.streamlight.com.

Crimson Trace Corporation, “LTG-736 Lightguard for Glock Full-Size and Compact”, © 2016, 3 pages, <http://www.crimsontrace.com/>.

(56)

References Cited

OTHER PUBLICATIONS

Crimson Trace Corporation, "LG-452 Laserguard Green Laser Sight for Glock Full-Size and Compact", © 2016, 7 pages, <http://www.crimsontrace.com/>.

Crimson Trace Corporation, "DS-121 Defender Series Accuguard Laser Sight for Glock Full-Size and Compact", © 2016, 10 pages, <http://www.crimsontrace.com/products/manufacture/glock/01-5100>.

Streamlight, Inc., "Modular Light Mountable on a Handgun", U.S. Appl. No. 15/283,788, filed Oct. 3, 2016, 61 pages.

Streamlight, Inc., "Mountable Light", U.S. Design Appl. No. 29/623,320, filed Oct. 24, 2017, 18 pages.

Streamlight, Inc., "Portable and/or Mountable Light", U.S. Appl. No. 15/817,986, filed Nov. 20, 2017, 84 pages.

Streamlight, Inc., "TLR-1 HL Super Bright, 800 Lumen LED Tactical Weapon Light", Product Specifications, 2 pages, date prior to Oct. 24, 2017 filing date, www.streamlight.com.

Streamlight, Inc., "TLR-1 HL High Lumen, Rail-Mounted Tactical Light", Data Sheet, 1 page, dated Jan. 16, www.streamlight.com.

Streamlight, Inc., "TLR-2 HL Super Bright, 800 Lumen LED Tactical Weapon Light with Red Aiming Laser", Product Specifications, 2 pages, date prior to Oct. 24, 2017 filing date, www.streamlight.com.

Streamlight, Inc., "TLR-2 HL/TLR-2 HL G High Lumen, Rail-Mounted Tactical Light with Aiming Laser", Data Sheet, 1 page, dated Jan. 16, www.streamlight.com.

Streamlight, Inc., "TLR-3 Compact Tactical Weapon-Mounted Light", Product Specifications, 2 pages, date prior to Oct. 24, 2017 filing date, www.streamlight.com.

Streamlight, Inc., "TLR-4 Compact Tactical Light with Integrated Red Aiming Laser", Product Specifications, 2 pages, date prior to Oct. 24, 2017 filing date, www.streamlight.com.

Streamlight, Inc., "TLR-VIR Infrared Tactical Weapons Light", Product Specifications, 2 pages, date prior to Oct. 24, 2017 filing date, www.streamlight.com.

Streamlight, Inc., "TLR-VIR, Rail-Mounted Tactical Light with Visible White Light and IR Illuminator", Data Sheet, 1 page, dated Jun. 16, www.streamlight.com.

Streamlight, Inc., "TLR-VIR Pistol Infrared Tactical Weapons Light", Product Specifications, 2 pages, date prior to Oct. 24, 2017 filing date, www.streamlight.com.

Streamlight, Inc., "TLR-6 Trigger Guard Mounted Weapon Light with Integrated Red Aiming Laser", Product Specifications, 2 pages, date prior to Oct. 24, 2017 filing date, www.streamlight.com.

Streamlight, Inc., "TLR-6 Subcompact Gun-Mounted Tactical Light with Integrated Red Aiming Laser", Data Sheet, 2 pages, dated Mar. 17, www.streamlight.com.

* cited by examiner

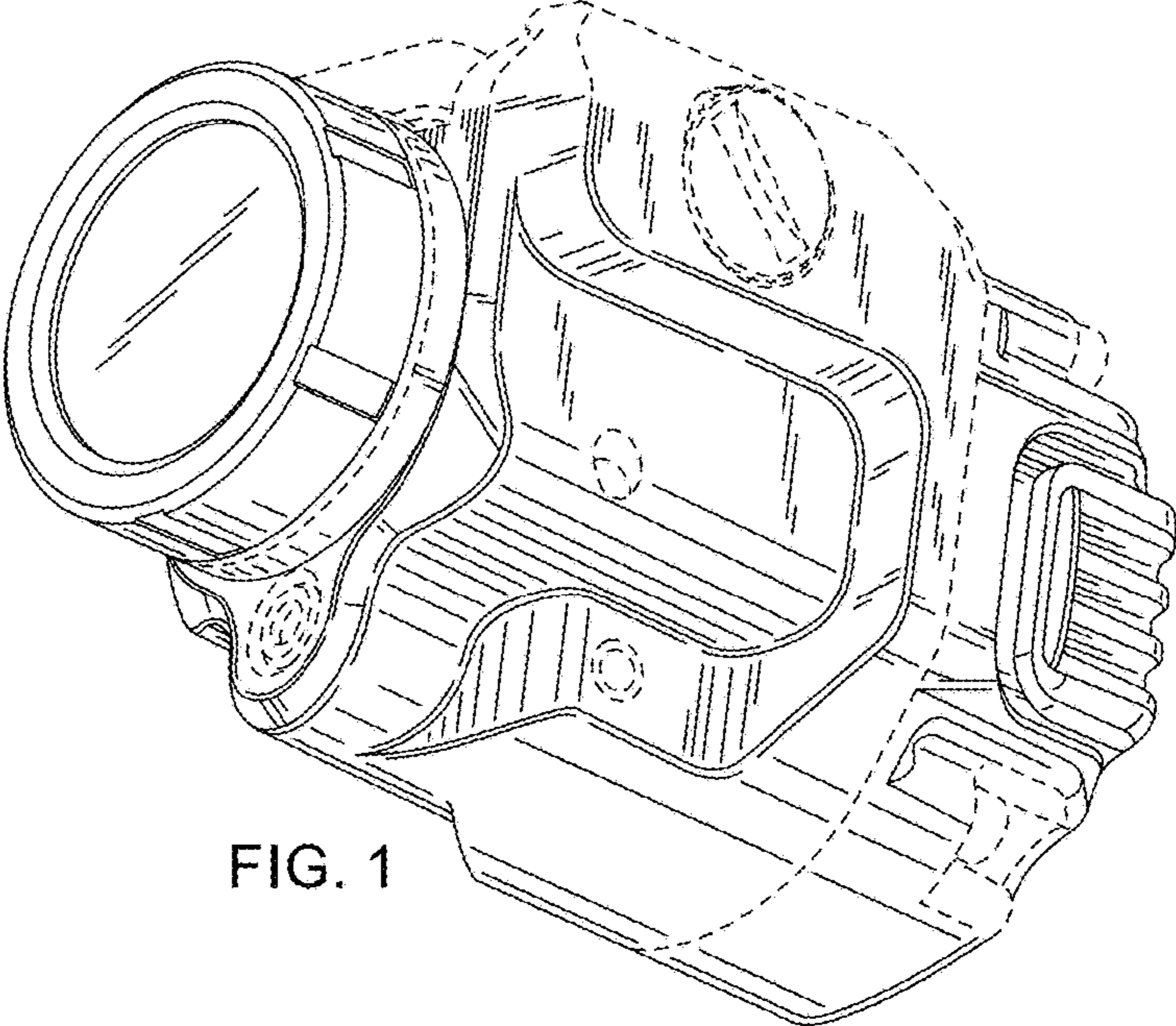


FIG. 1

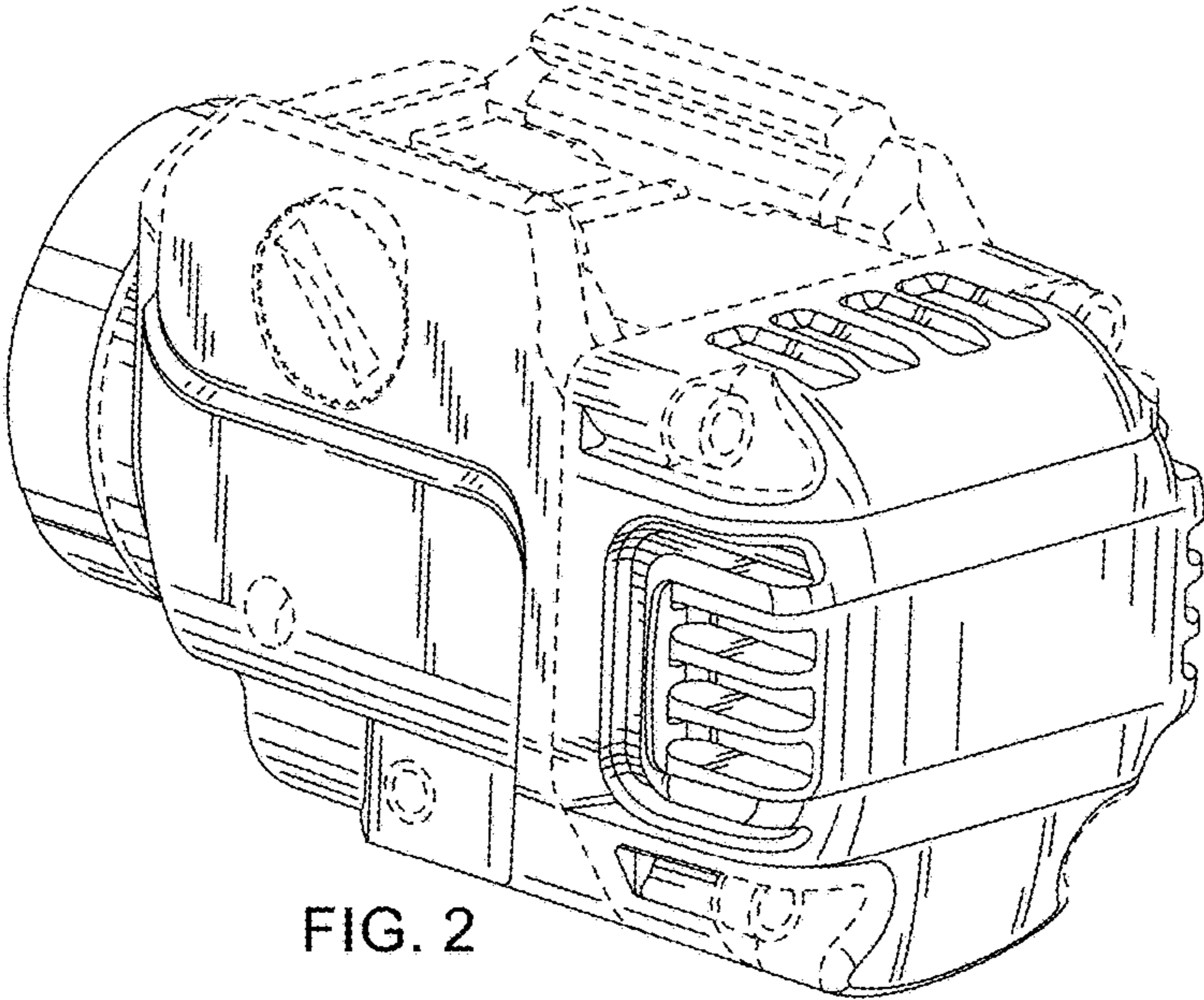


FIG. 2

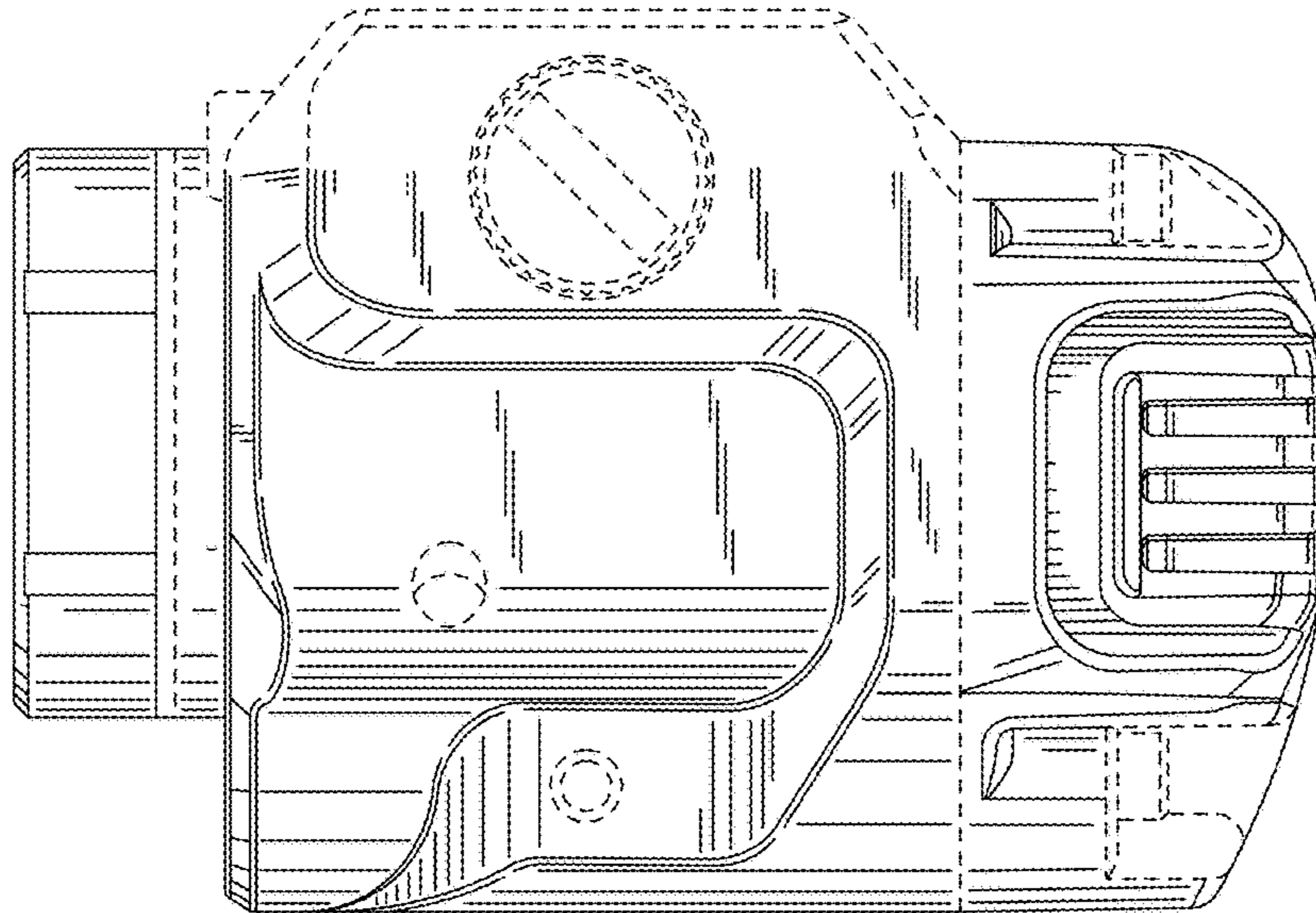


FIG. 3

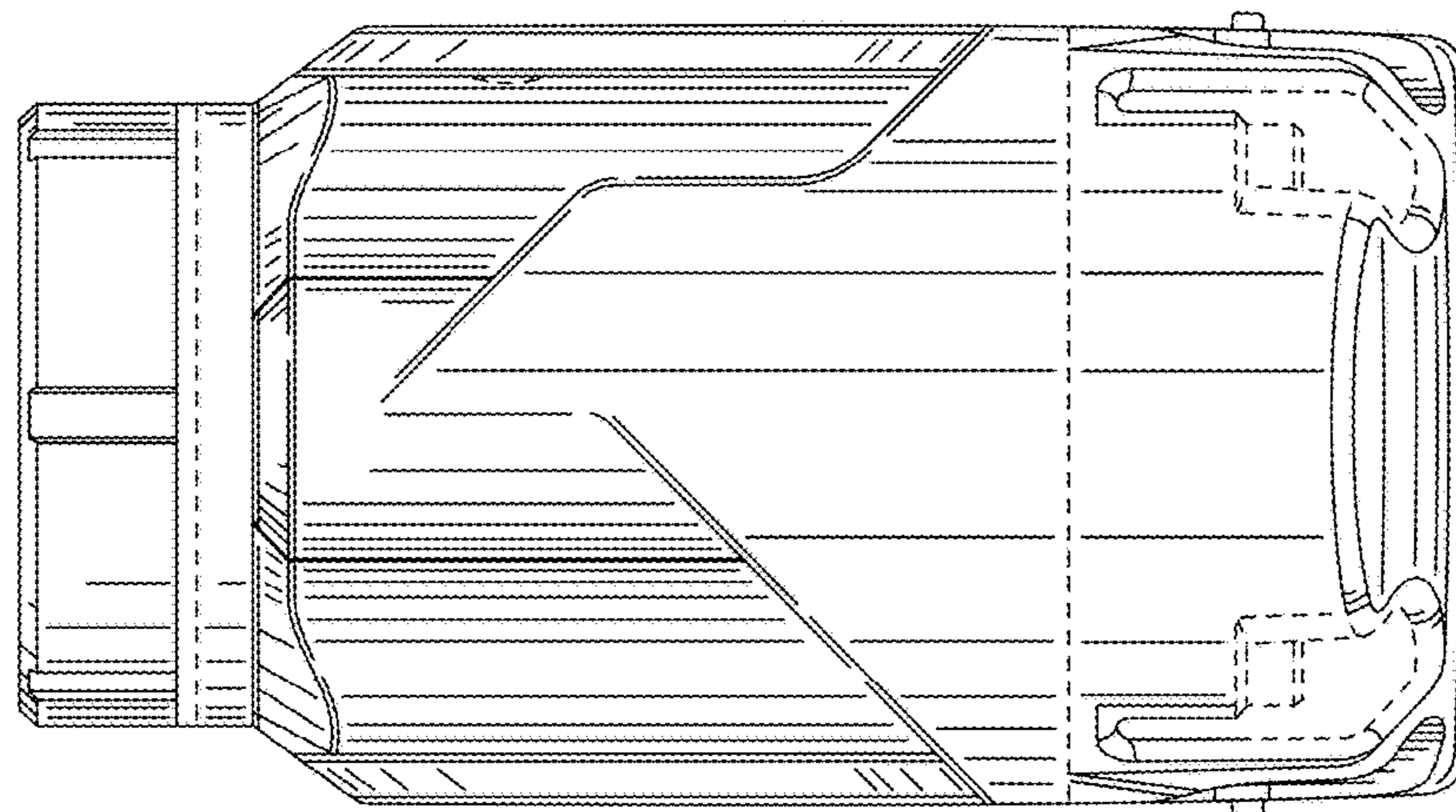


FIG. 4

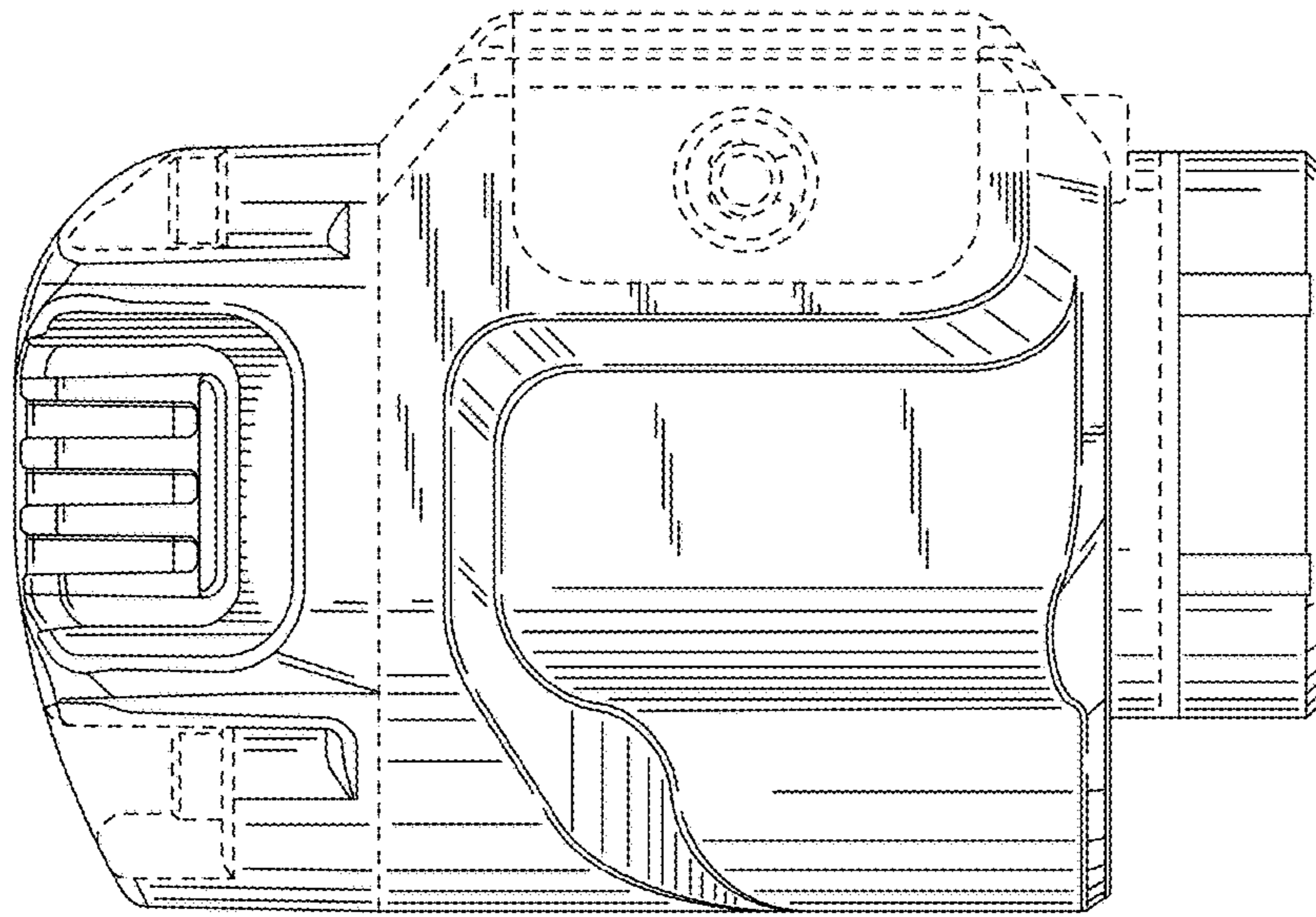


FIG. 5

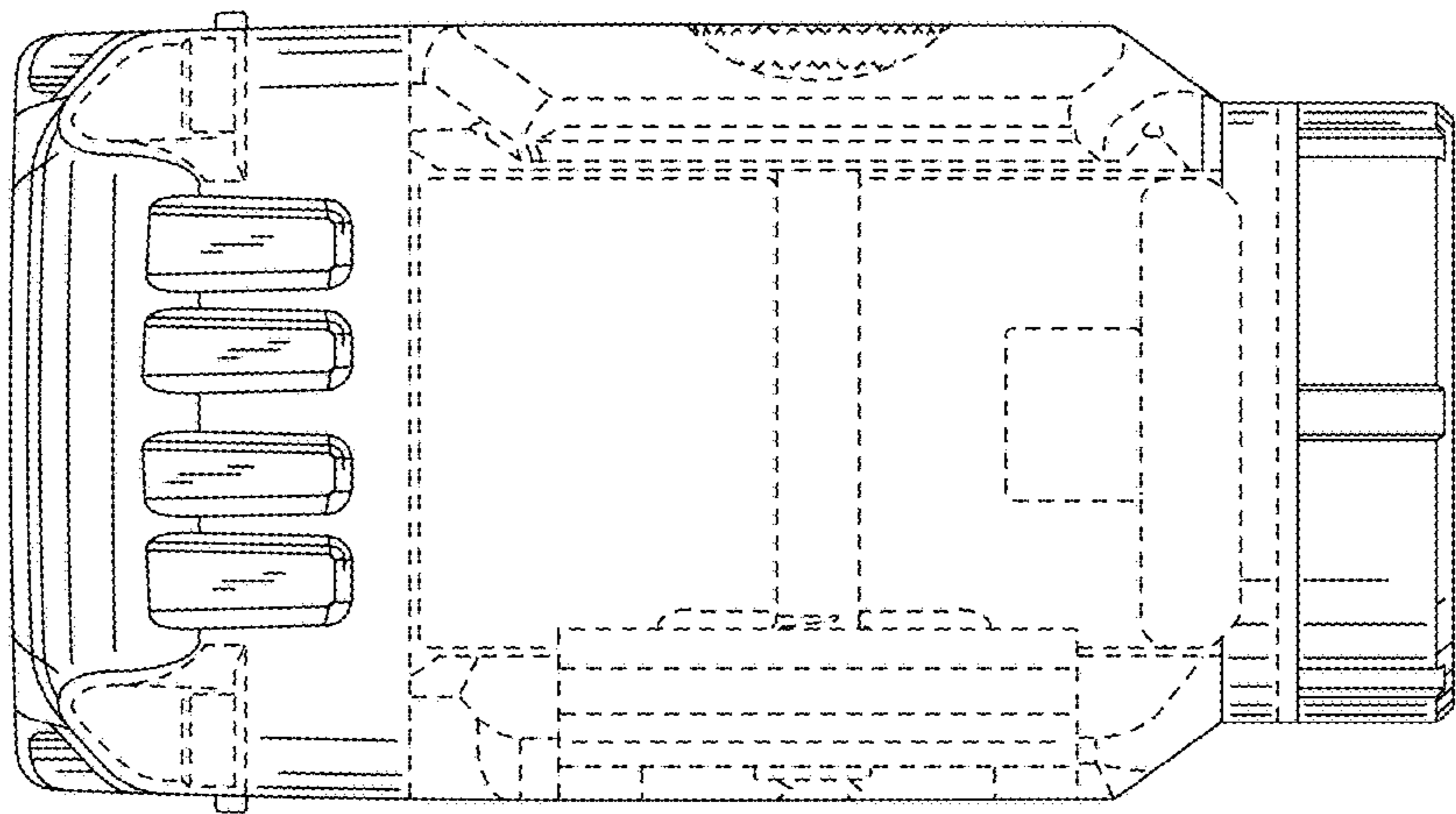


FIG. 6

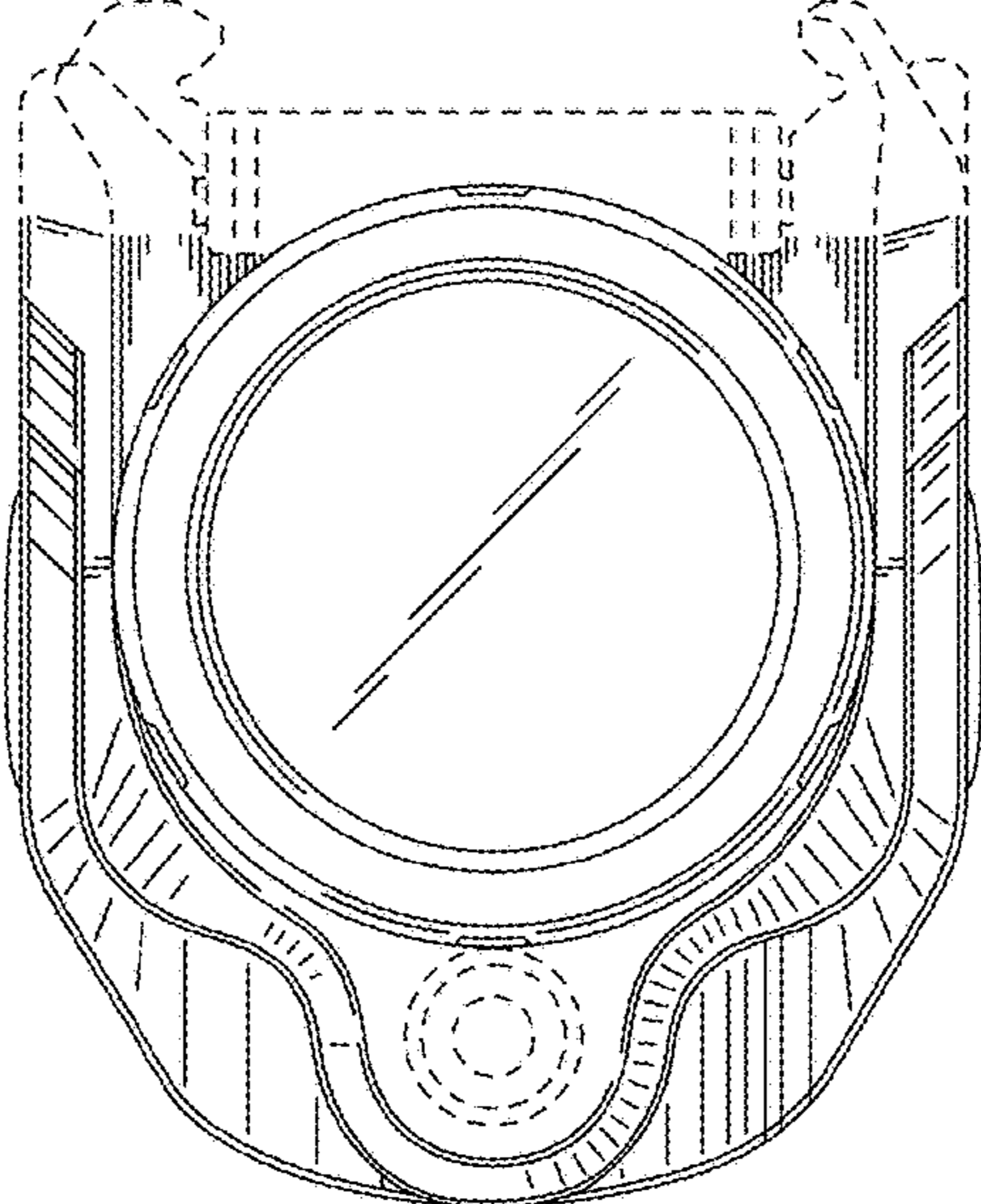


FIG. 7

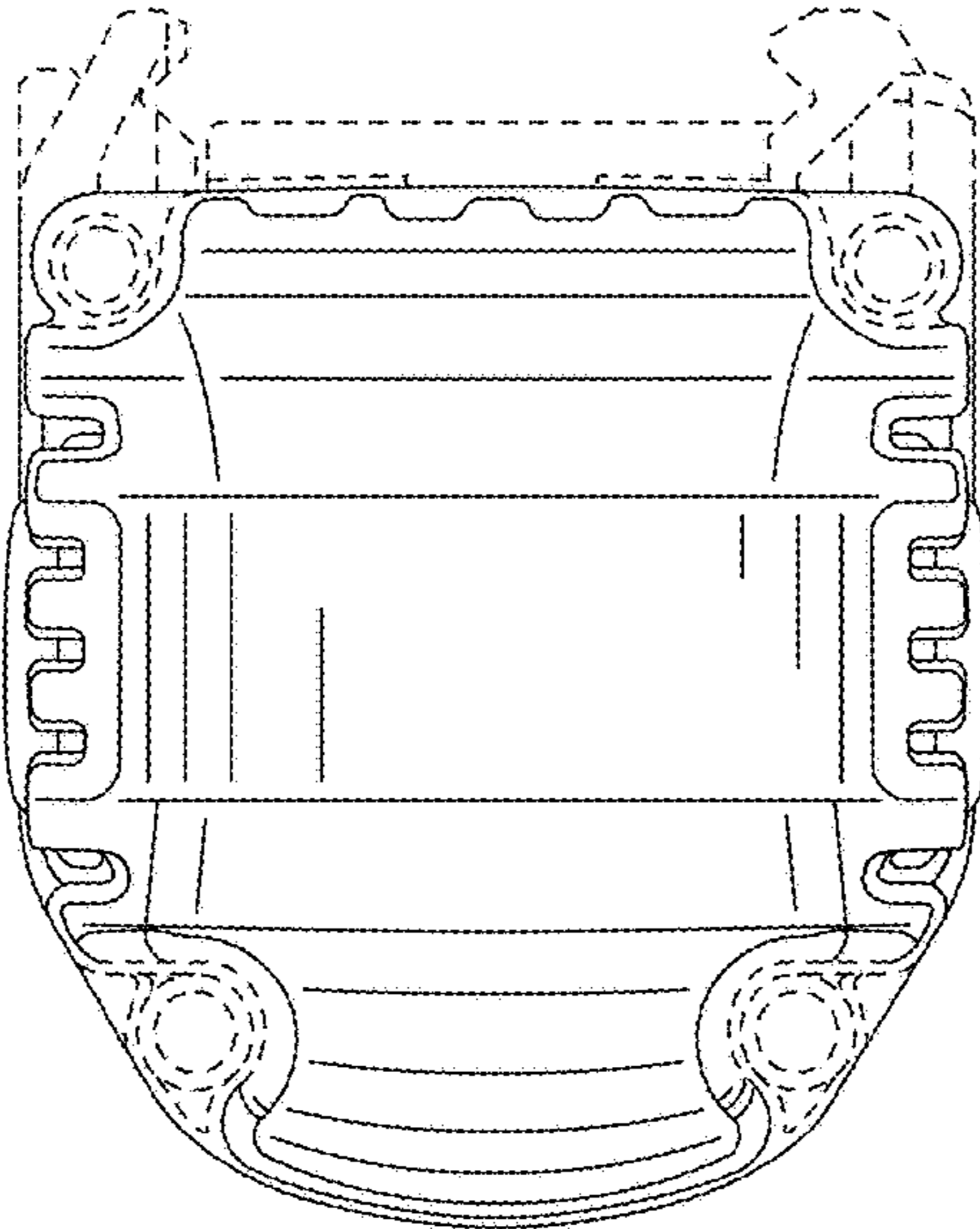


FIG. 8