



US00D857958S

(12) **United States Design Patent** (10) **Patent No.:** **US D857,958 S**  
**Willows et al.** (45) **Date of Patent:** **\*\* Aug. 27, 2019**

(54) **LIGHT WITH CLIP**  
(71) Applicant: **Amphipod, Inc.**, Seattle, WA (US)  
(72) Inventors: **Keith S. Willows**, Seattle, WA (US);  
**June A. Angus**, Seattle, WA (US);  
**Antonio Del Rosario**, Bellevue, WA  
(US); **Angus Willows**, Seattle, WA (US)

D658,323 S \* 4/2012 Freschl ..... D26/39  
D672,893 S \* 12/2012 Inskeep ..... D26/39  
D707,867 S \* 6/2014 Kotsis ..... D26/39  
D726,943 S \* 4/2015 Petzl ..... D26/39  
D742,050 S \* 10/2015 Inskeep ..... D26/39  
D812,793 S \* 3/2018 Huang ..... D26/39  
D828,597 S \* 9/2018 Petzl ..... D26/39

\* cited by examiner

(73) Assignee: **Amphipod, Inc.**, Seattle, WA (US)

*Primary Examiner* — Lakiya G Rogers

(\*\*) Term: **15 Years**

*Assistant Examiner* — Carissa C Fitts

(21) Appl. No.: **29/621,778**

(74) *Attorney, Agent, or Firm* — Lowe Graham Jones

(22) Filed: **Oct. 11, 2017**

PLLC

(51) **LOC (12) Cl.** ..... **26-02**

(57) **CLAIM**

(52) **U.S. Cl.**

The ornamental design for a light with clip, as shown and described.

USPC ..... **D26/38**; D26/39

**DESCRIPTION**

(58) **Field of Classification Search**

USPC ..... D26/37–51

CPC ..... F21L 2003/00; F21L 4/00; F21L 4/005;

F21L 4/02; F21L 4/025; F21L 4/027;

F21L 4/04; F21L 4/08; F21L 2005/00;

F21L 7/00; F21L 11/00; F21L 13/00;

F21L 13/04; F21L 13/08; F21L 14/02;

F21L 17/00; F21L 19/00; F21L 25/00

See application file for complete search history.

FIG. 1 is a front top perspective view of a light with clip, showing our new design.

FIG. 2 is a rear bottom perspective view of the light with clip.

FIG. 3 is a left side view of the light with clip.

FIG. 4 is a right side view of the light with clip.

FIG. 5 is a front view of the light with clip.

FIG. 6 is a rear view of the light with clip.

FIG. 7 is a top view of the light with clip; and,

FIG. 8 is a bottom view of the light with clip.

The broken lines depict portions of the light with clip that form no part of the claimed design.

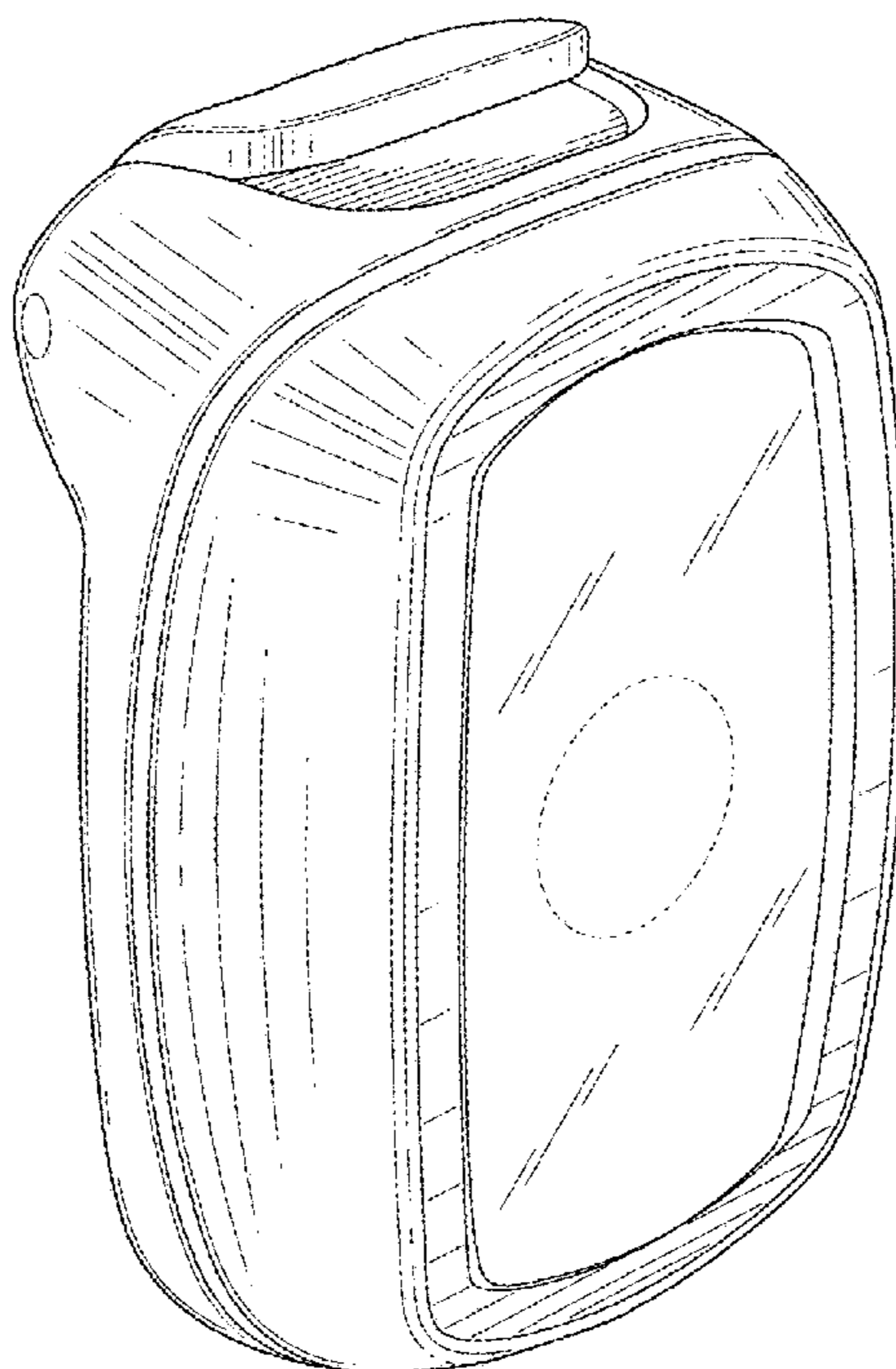
(56) **References Cited**

**U.S. PATENT DOCUMENTS**

D492,052 S \* 6/2004 Schnell ..... D26/39

D552,278 S \* 10/2007 Spartano ..... D26/39

**1 Claim, 8 Drawing Sheets**



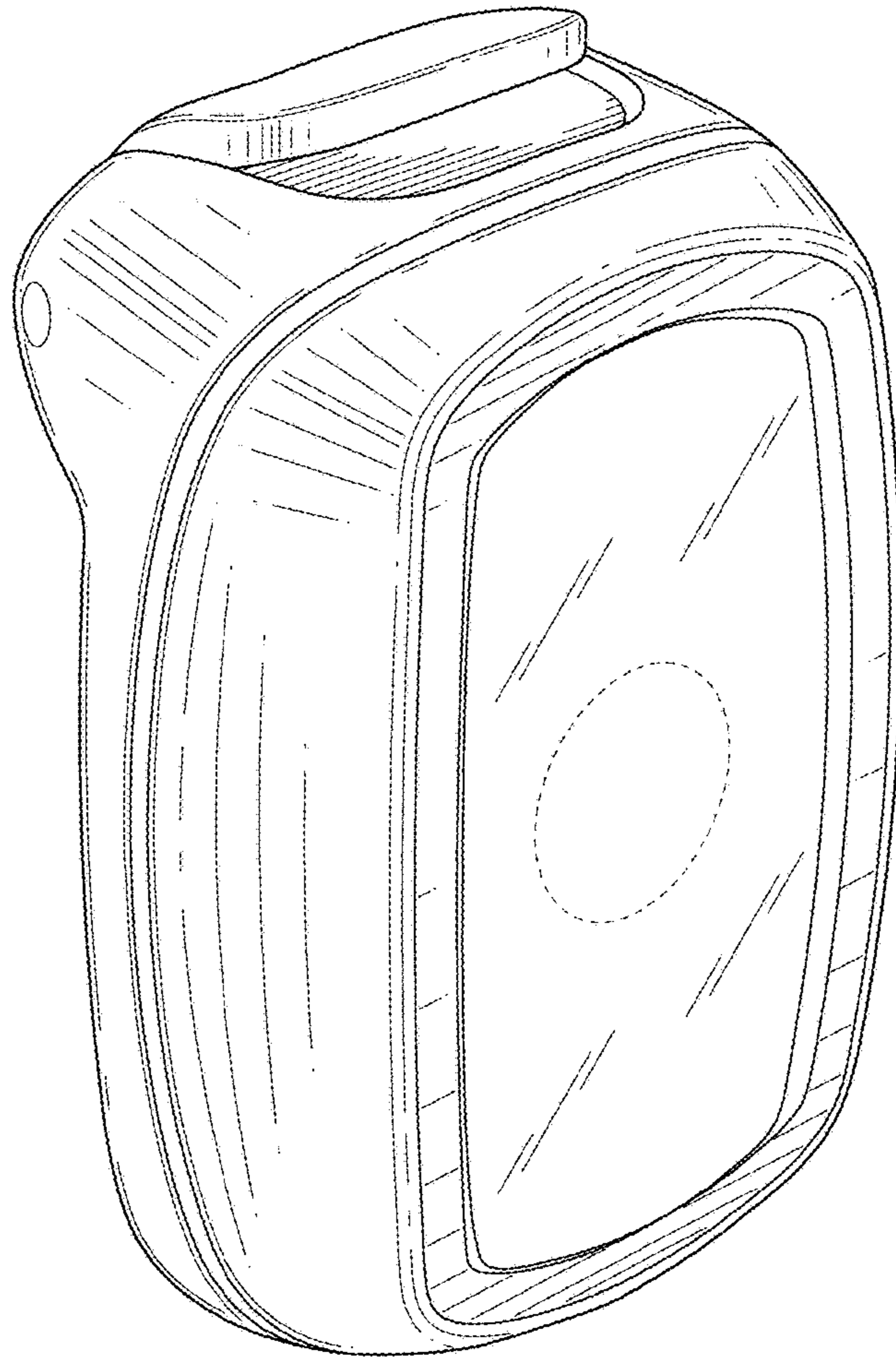


FIG. 1

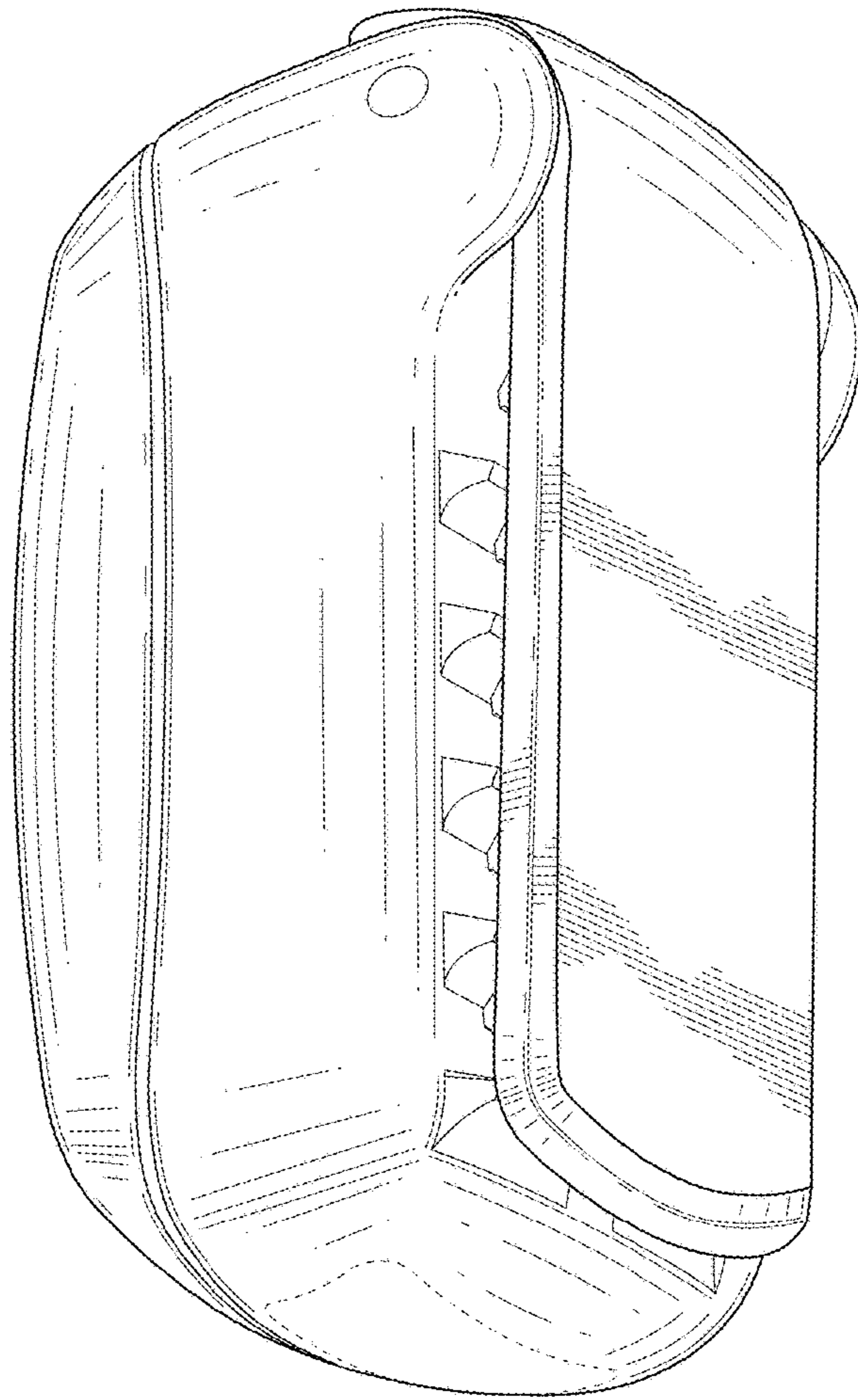


FIG. 2

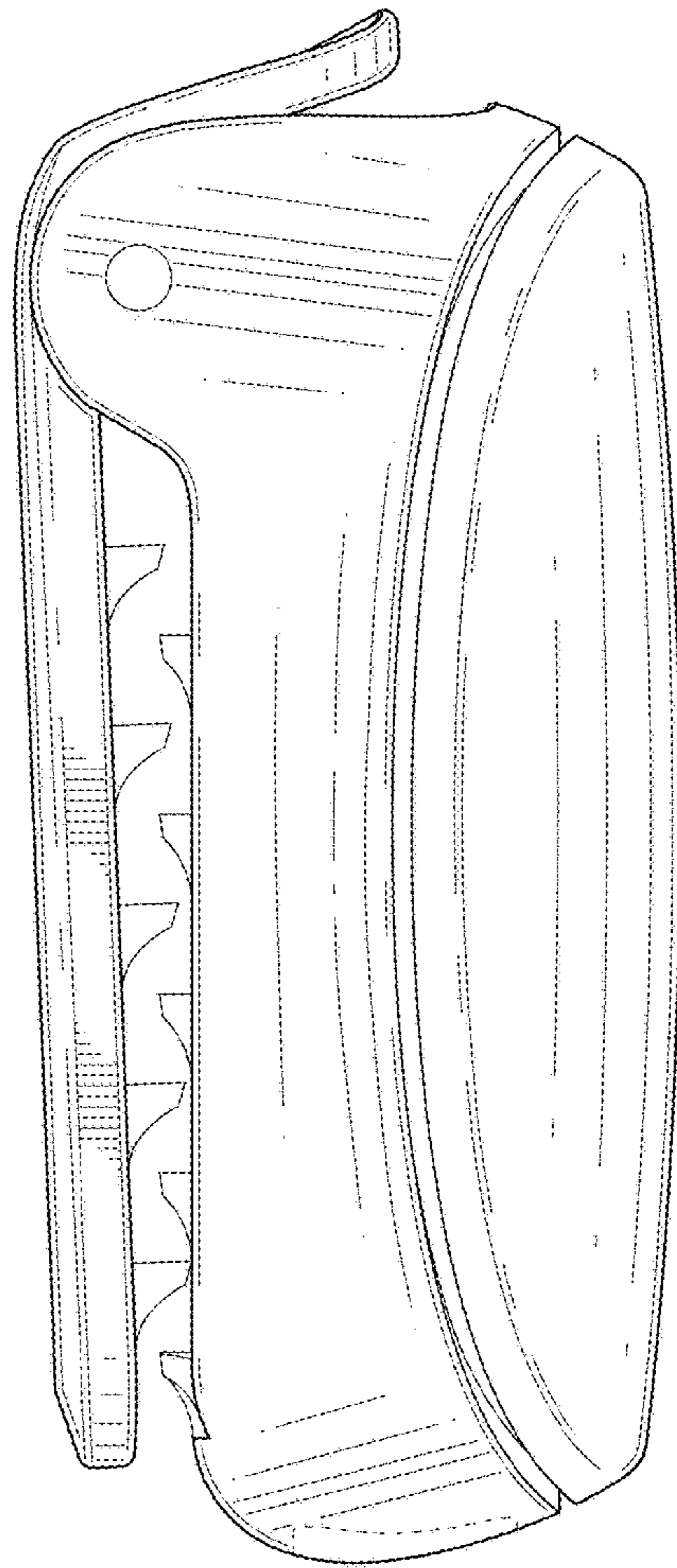


FIG. 3

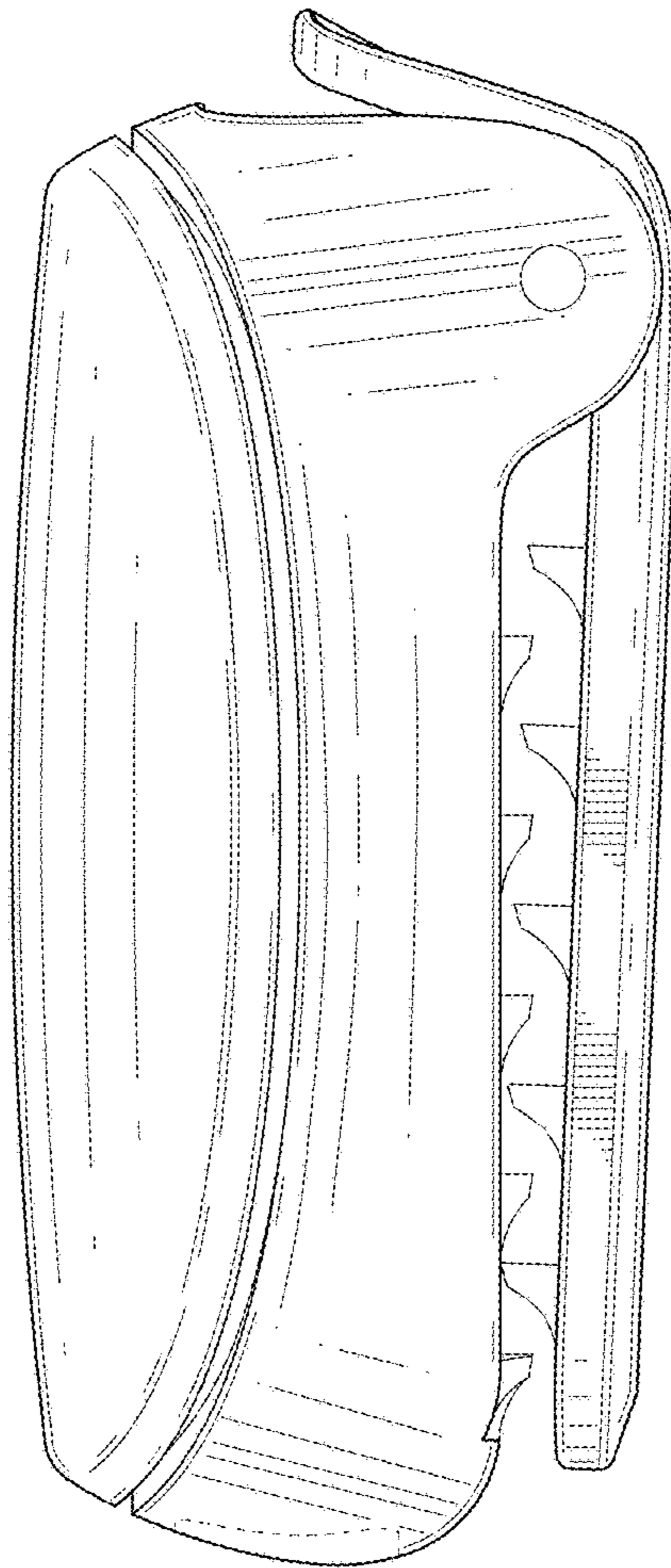


FIG.4

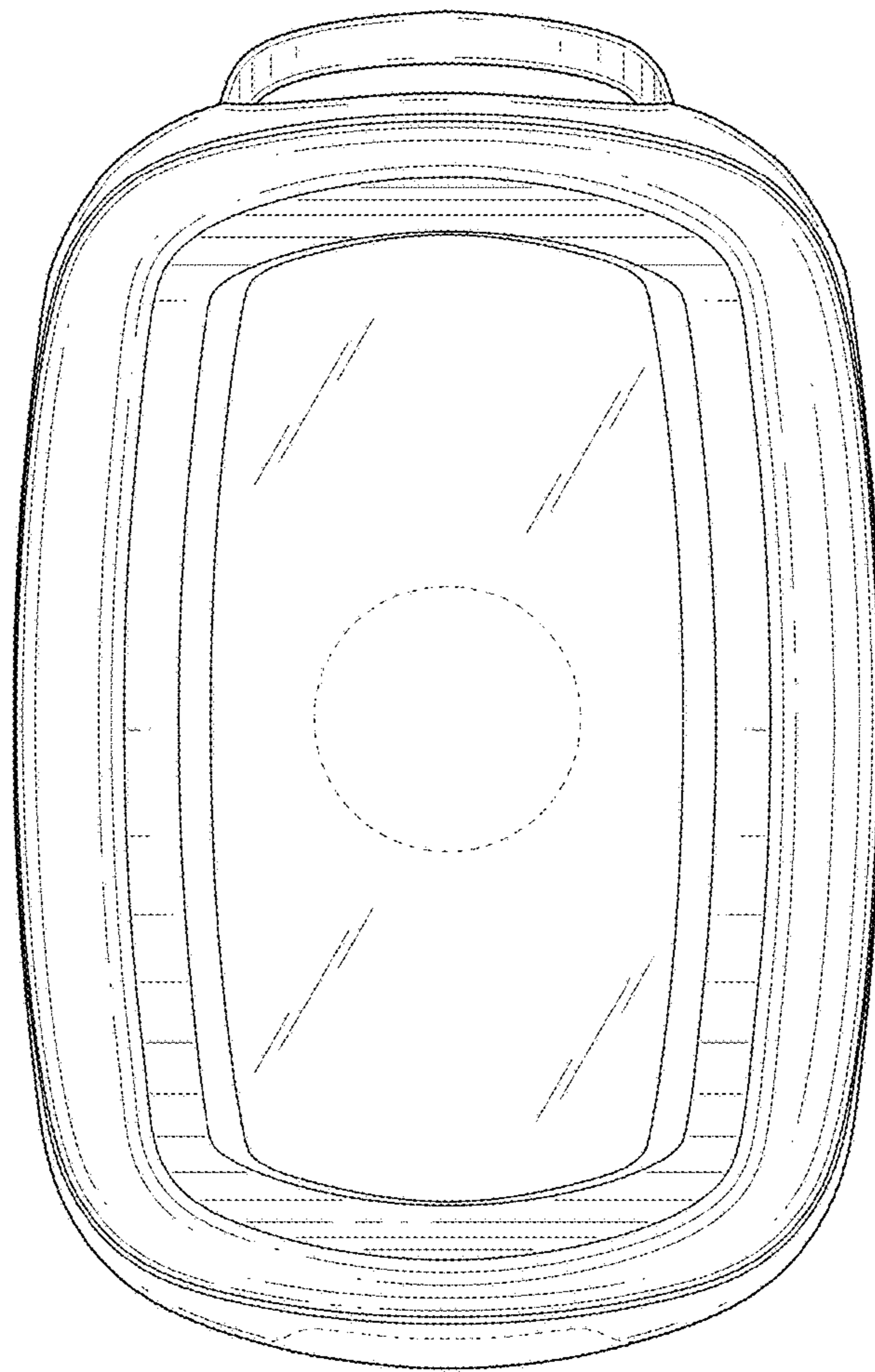


FIG. 5

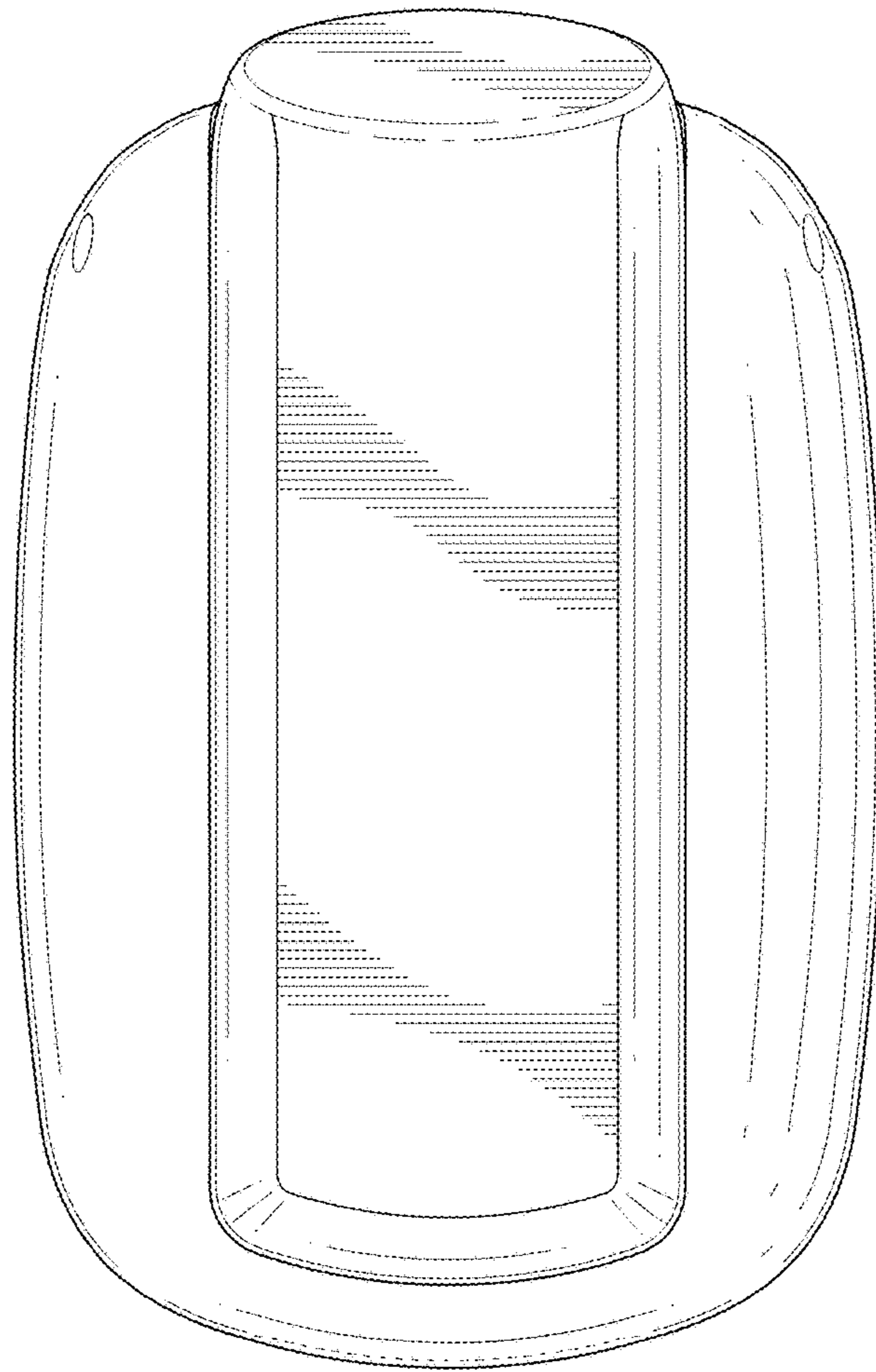


FIG. 6

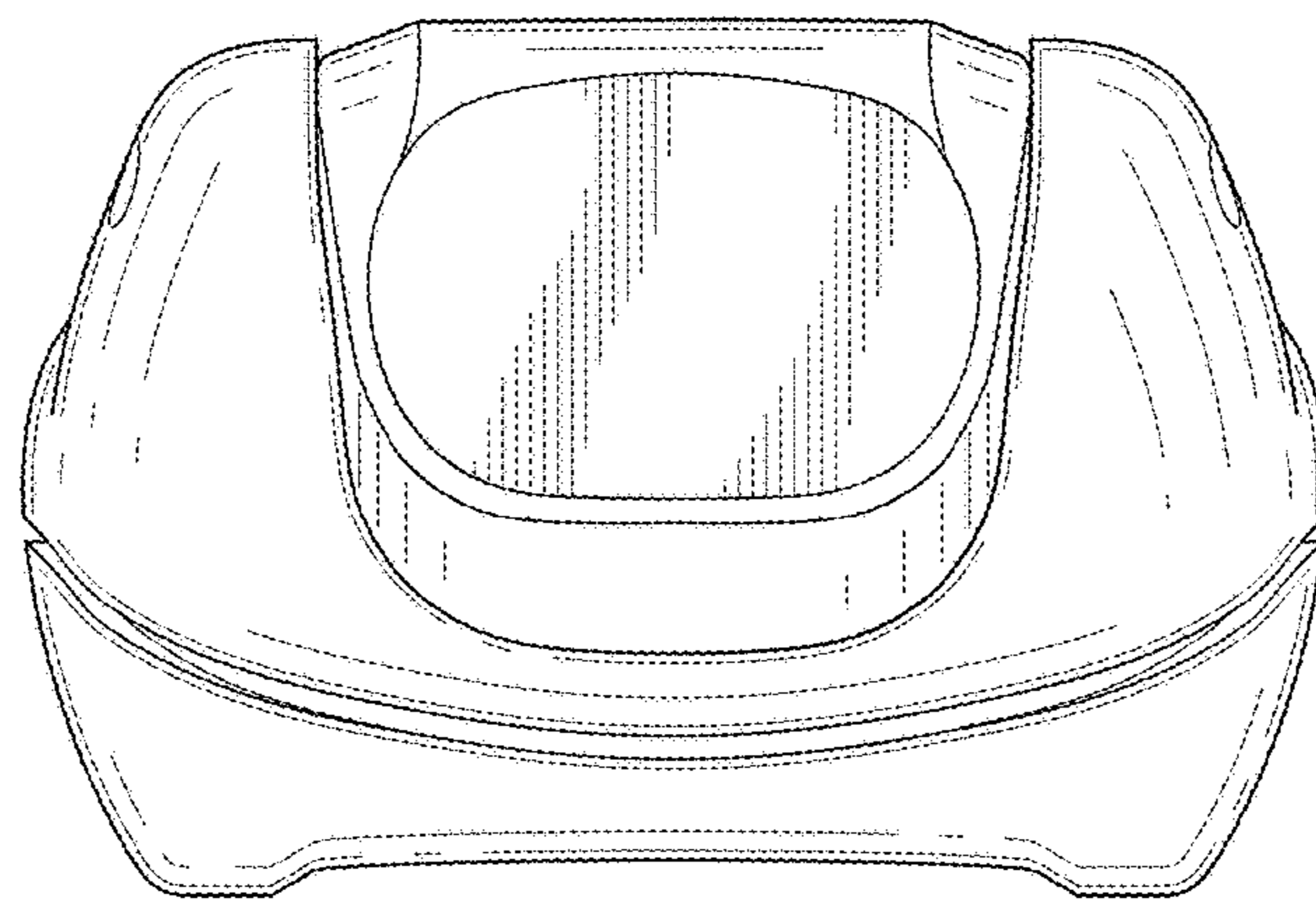


FIG. 7



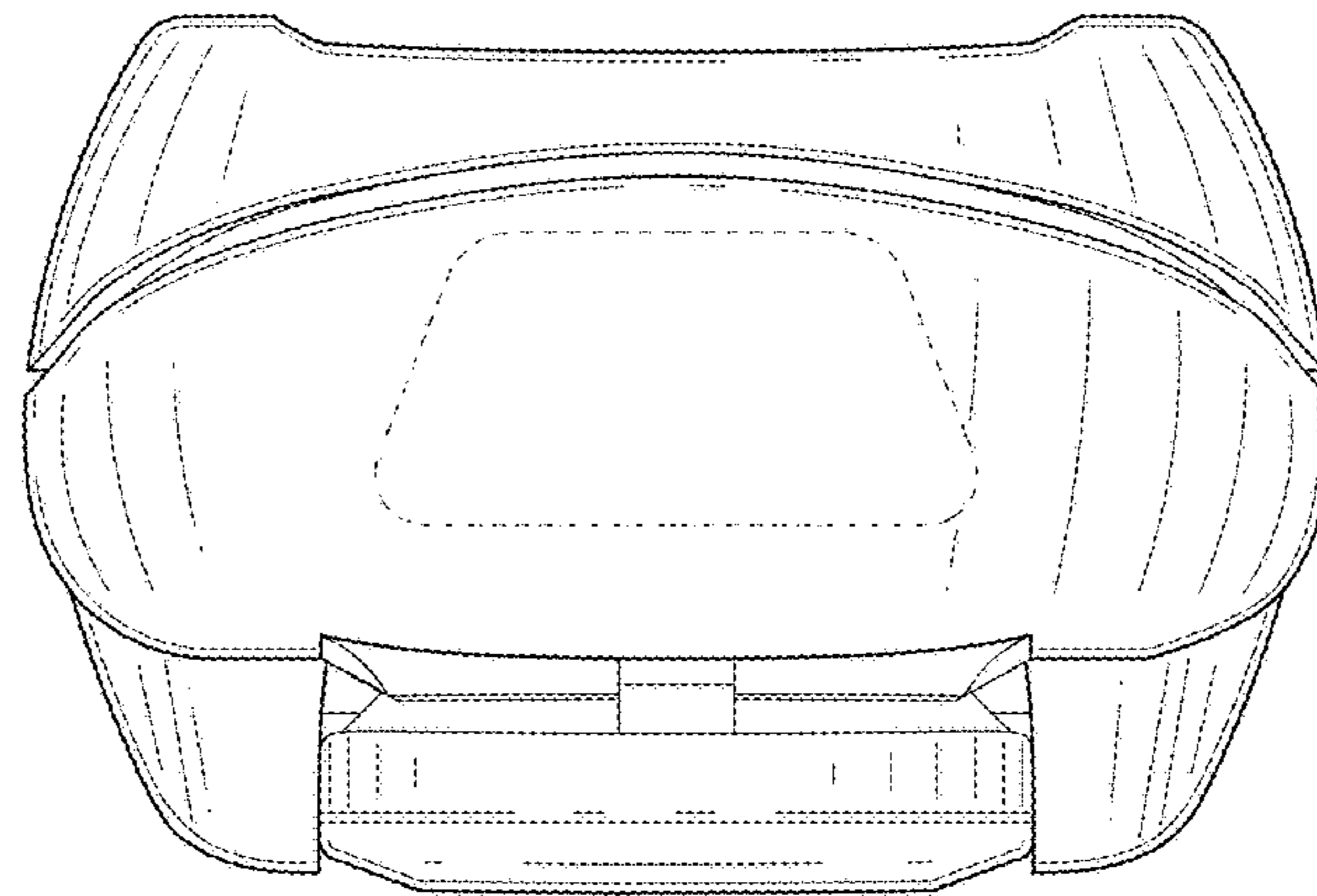


FIG. 8