



US00D857955S

(12) **United States Design Patent** (10) **Patent No.:** **US D857,955 S**  
**Han et al.** (45) **Date of Patent:** **\*\* Aug. 27, 2019**

(54) **REAR COMBINATION LAMP FOR AN AUTOMOBILE**  
(71) Applicants: **HYUNDAI MOTOR COMPANY**, Seoul (KR); **KIA MOTORS CORPORATION**, Seoul (KR)  
(72) Inventors: **Jae Do Han**, Yongin-si (KR); **Hyun Kyung Song**, Seoul (KR)  
(73) Assignees: **Hyundai Motor Company**, Seoul (KR); **Kia Motors Corporation**, Seoul (KR)

(\*\*) Term: **15 Years**  
(21) Appl. No.: **35/505,112**  
(22) Filed: **Dec. 9, 2017**

(80) **Hague Agreement Data**  
Int. Filing Date: **Dec. 9, 2017**  
Int. Reg. No.: **DM/099201**  
Int. Reg. Date: **Dec. 9, 2017**  
Int. Reg. Pub. Date: **Jun. 15, 2018**

(51) **LOC (12) Cl.** ..... **26-07**  
(52) **U.S. Cl.**  
USPC ..... **D26/28**  
CPC ..... **F21S 43/00** (2018.01)  
(58) **Field of Classification Search**  
USPC ..... D26/28-36; 362/459-468, 475-478, 362/485-487  
CPC .. F21S 41/00; F21S 43/00; F21S 43/20; F21S 43/26  
See application file for complete search history.

(56) **References Cited**  
U.S. PATENT DOCUMENTS  
D412,214 S \* 7/1999 Hejtmanek ..... D26/28  
D679,432 S \* 4/2013 Frenzel ..... D26/28  
D714,978 S \* 10/2014 Lee ..... D26/28

D716,478 S \* 10/2014 Loeb ..... D26/28  
D720,484 S \* 12/2014 Nordmann ..... D26/28  
D739,583 S \* 9/2015 Forsgren ..... D26/28  
D749,247 S \* 2/2016 Han ..... D26/28  
D749,248 S \* 2/2016 Gorsten Schuenemann .. D26/28  
D749,759 S \* 2/2016 Beaven ..... D26/28  
D755,420 S \* 5/2016 Ko ..... D26/28  
D761,979 S \* 7/2016 Wu ..... D26/28  
D761,982 S \* 7/2016 Akita ..... D26/28  
D764,082 S \* 8/2016 Frascella ..... D26/28  
D767,803 S \* 9/2016 Faghihzadeh ..... D26/28  
D769,485 S \* 10/2016 Morikawa ..... D26/28  
D776,312 S \* 1/2017 Han ..... D26/28  
D776,313 S \* 1/2017 Han ..... D26/28  
D794,843 S \* 8/2017 Han ..... D26/28  
D794,850 S \* 8/2017 Kim ..... D26/28  
D797,330 S \* 9/2017 Katou ..... D26/28  
D806,919 S \* 1/2018 Hatton ..... D26/28  
D806,921 S \* 1/2018 Ryu ..... D26/28  
D808,048 S \* 1/2018 Hannemann ..... D26/28  
D810,974 S \* 2/2018 Sato ..... D26/28  
D810,977 S \* 2/2018 Piscitelli ..... D26/28  
D811,633 S \* 2/2018 Gould ..... D26/28  
D812,271 S \* 3/2018 Katagiri ..... D26/28  
D812,273 S \* 3/2018 Wu ..... D26/28

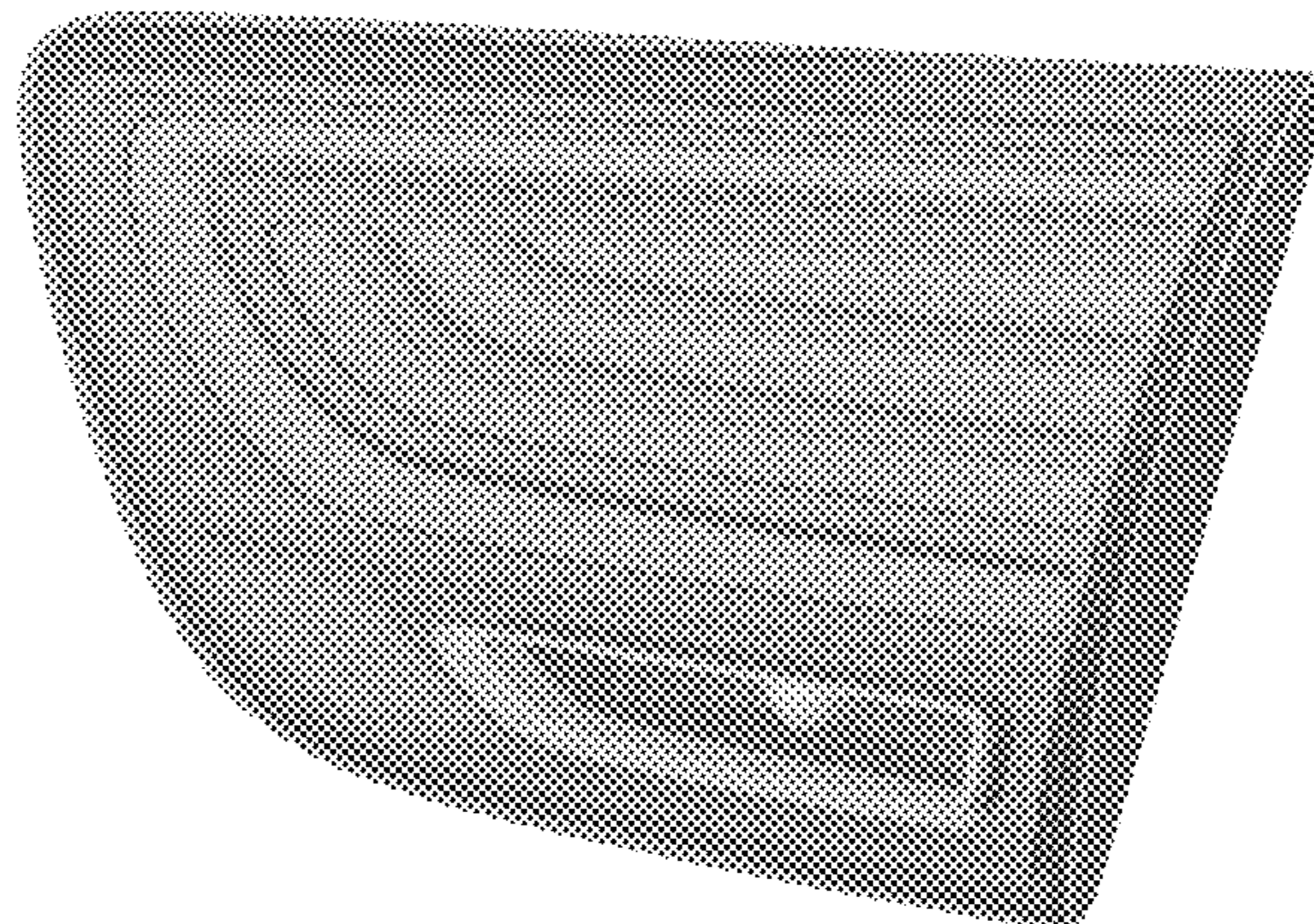
(Continued)

*Primary Examiner* — Richard E Chilcot  
(74) *Attorney, Agent, or Firm* — Mintz Levin Cohn Ferris Glovsky and Popeo, P.C.; Kongsik Kim

(57) **CLAIM**  
The ornamental design for a rear combination lamp for an automobile, as shown and described.

**DESCRIPTION**  
1. Rear combination lamp for an automobile  
1.1 : Perspective  
1.2 : Front  
1.3 : Back  
1.4 : Left  
1.5 : Right  
1.6 : Top  
1.7 : Bottom

**1 Claim, 7 Drawing Sheets**



(56)

**References Cited**

U.S. PATENT DOCUMENTS

D812,792	S	*	3/2018	Jae	.....	D26/28
D834,226	S	*	11/2018	Lee	.....	D26/28
D834,227	S	*	11/2018	Lee	.....	D26/28
D834,228	S	*	11/2018	Lee	.....	D26/28
D834,229	S	*	11/2018	Lee	.....	D26/28
D834,230	S	*	11/2018	Lee	.....	D26/28
D841,202	S	*	2/2019	Badstuebner	.....	D26/28

\* cited by examiner

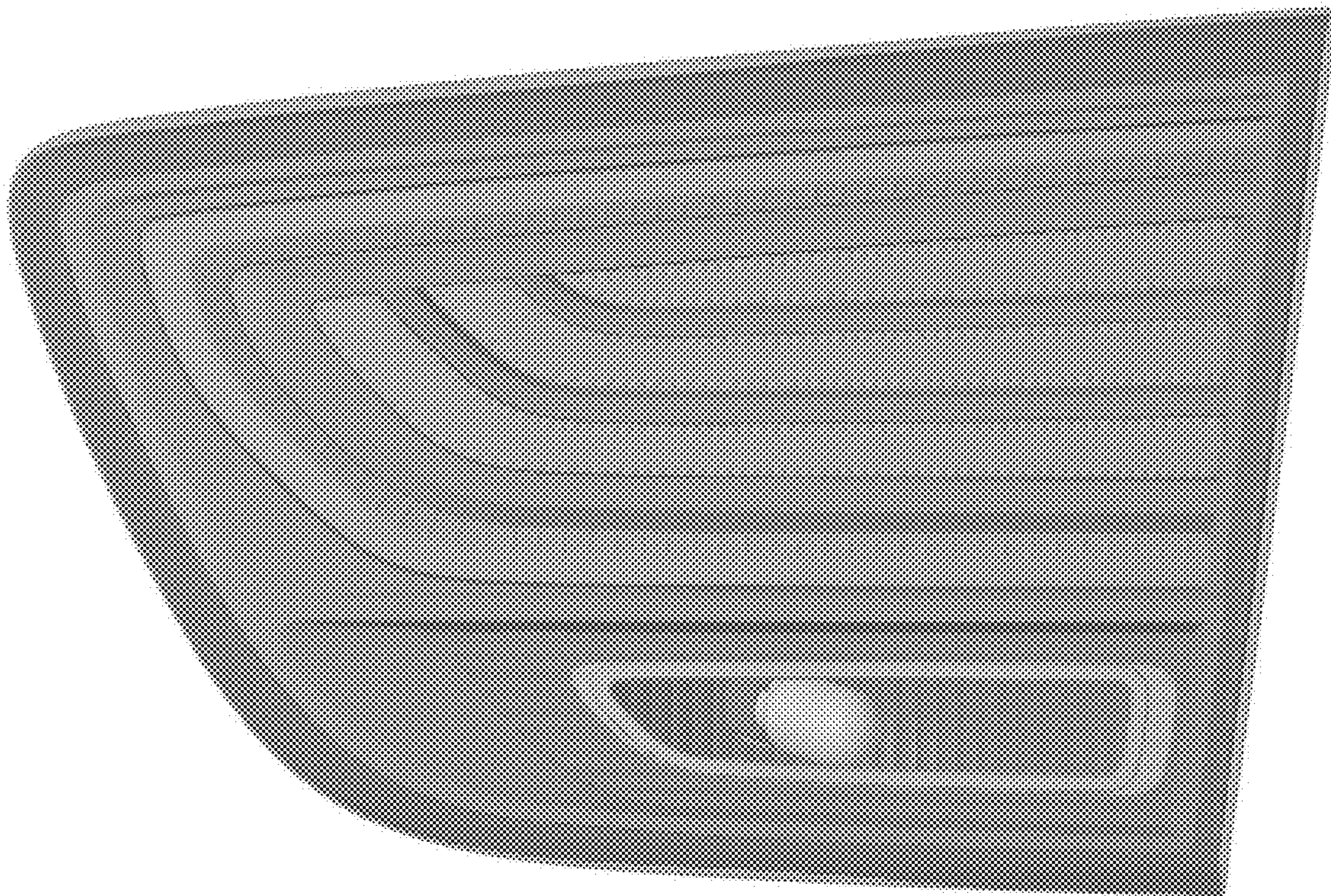


1.1



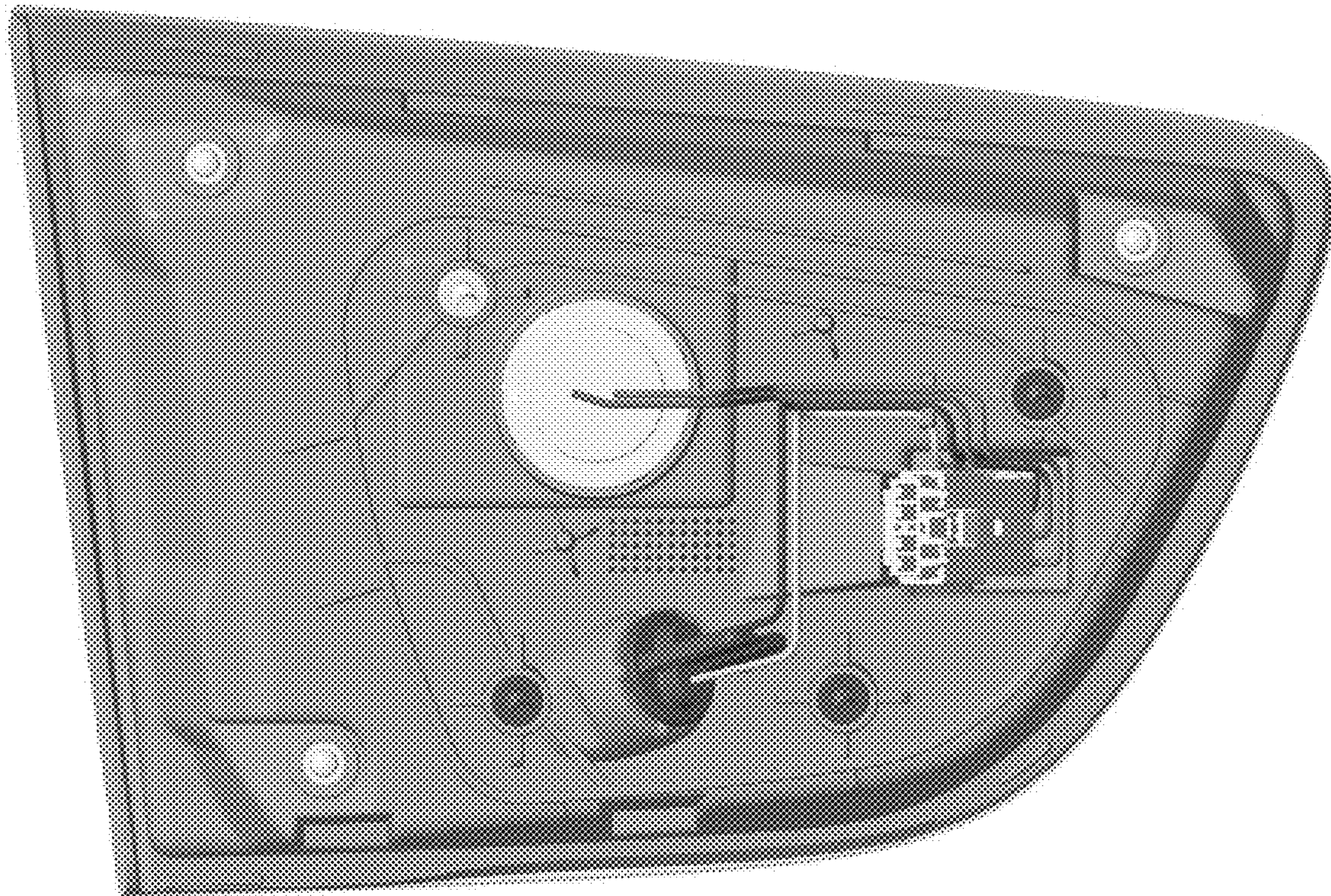


1.2



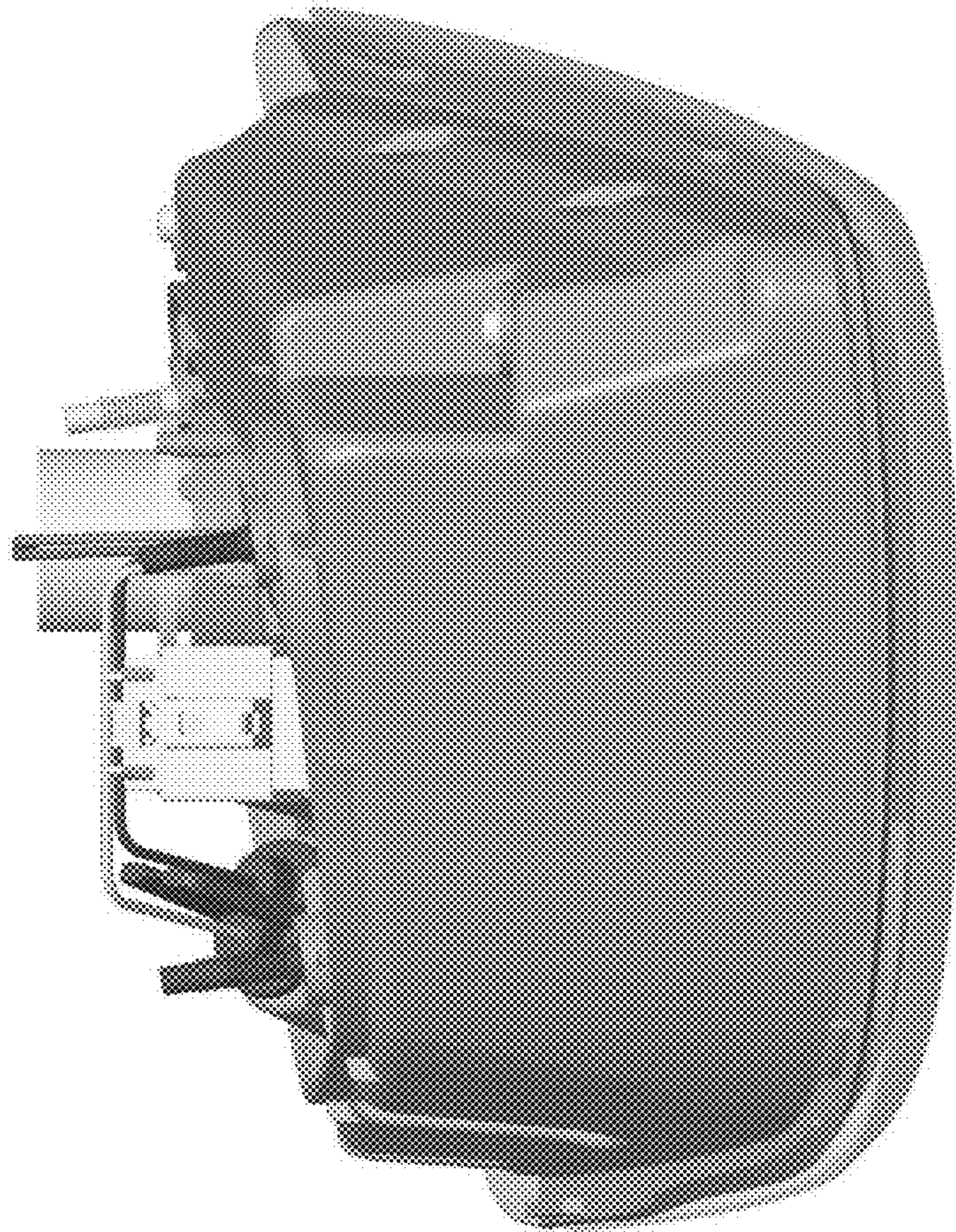


1.3

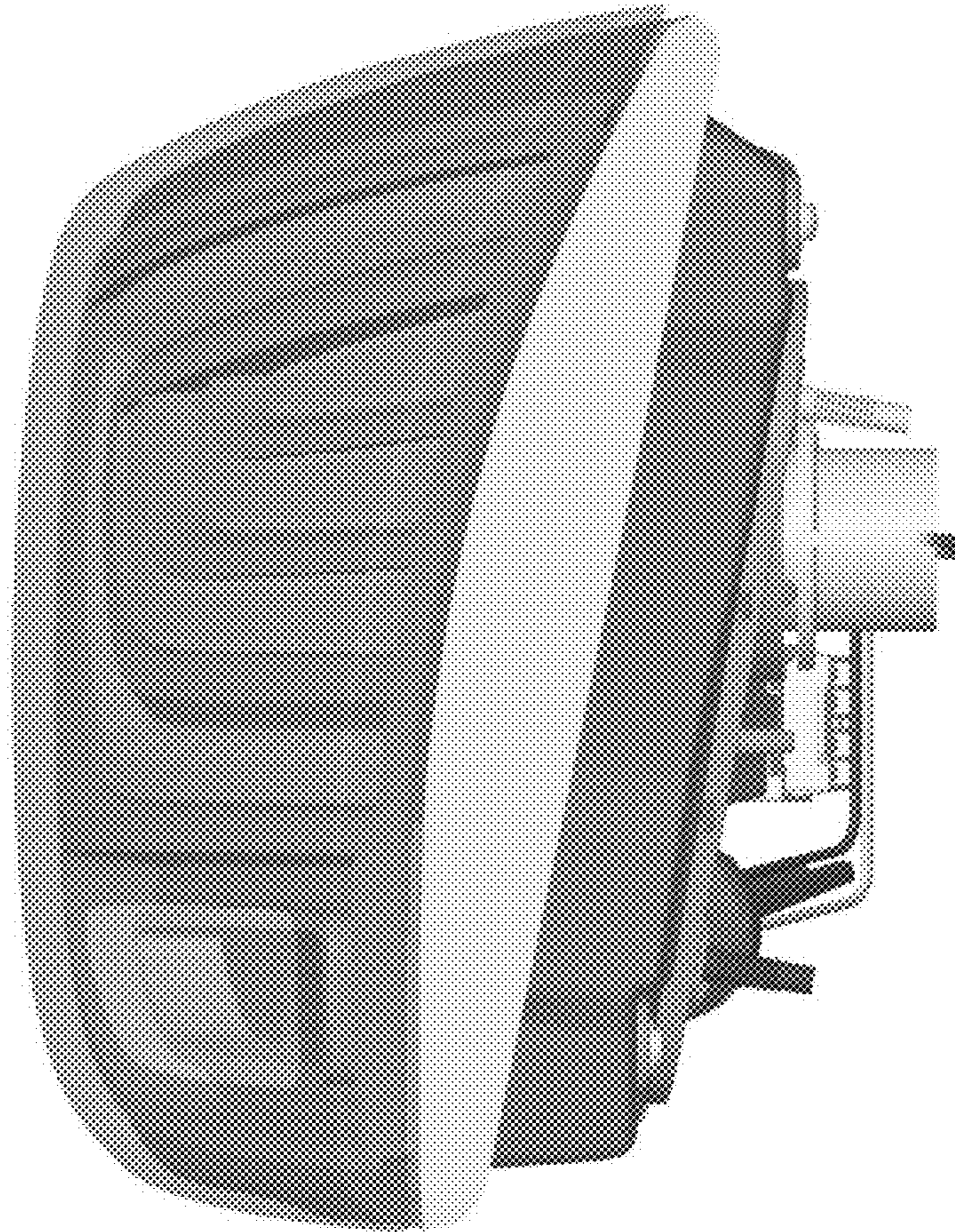




1.4

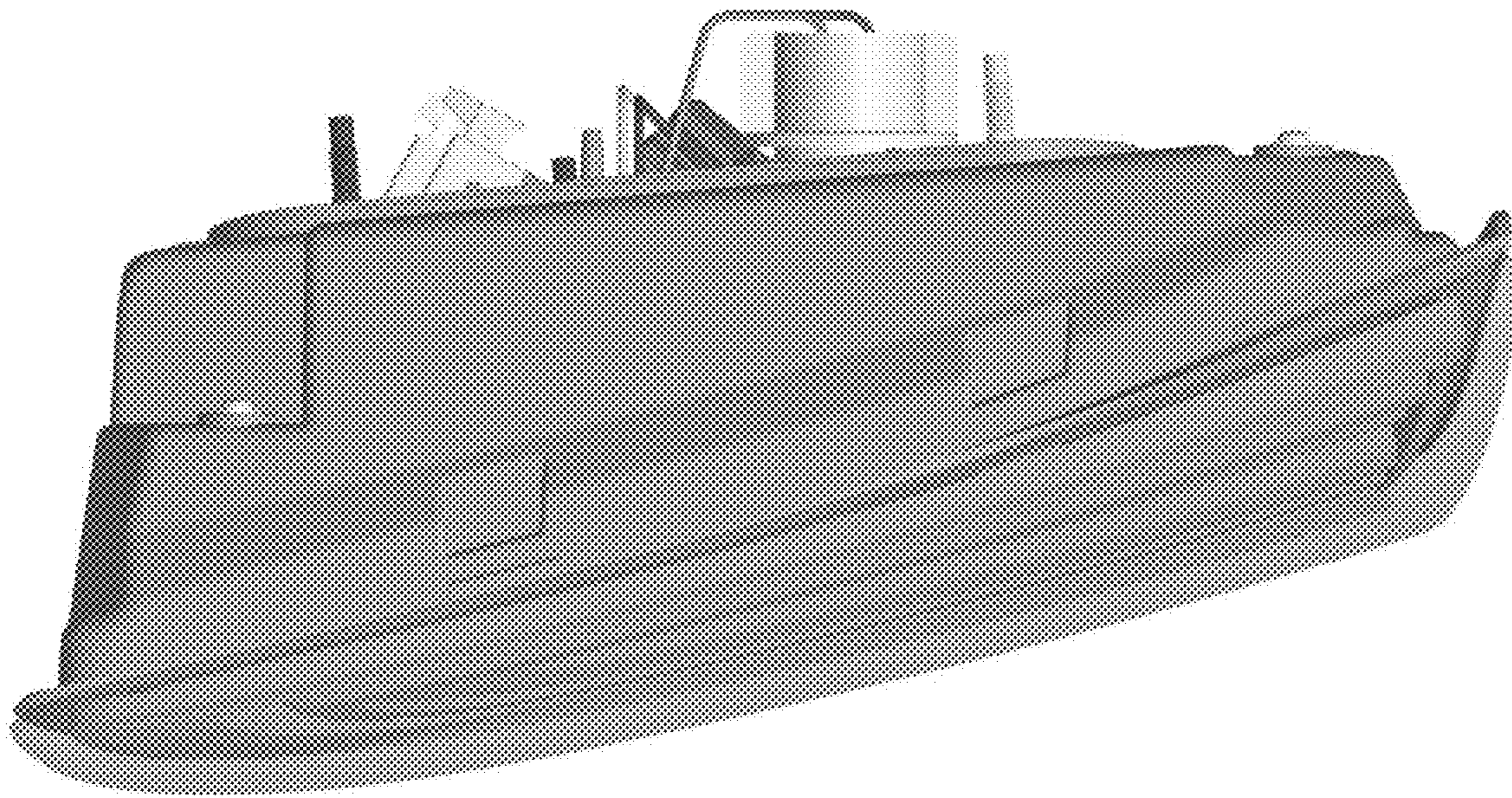


1.5





1.6





1.7

