



US00D857937S

(12) **United States Design Patent** (10) **Patent No.:** **US D857,937 S**
Iwao et al. (45) **Date of Patent:** **** Aug. 27, 2019**

(54) **VEHICLE TAILLIGHT**

(71) Applicant: **Mazda Motor Corporation**, Hiroshima (JP)

(72) Inventors: **Norihito Iwao**, Hiroshima (JP); **Ryoma Makino**, Hiroshima (JP); **Takahiro Matsui**, Hiroshima (JP); **Kazuhiisa Noda**, Hiroshima (JP); **Mitsuo Yoshioka**, Hiroshima (JP); **Keisuke Nakai**, Hiroshima (JP)

(73) Assignee: **MAZDA MOTOR CORPORATION**, Hiroshima (JP)

(**) Term: **15 Years**

(21) Appl. No.: **29/641,037**

(22) Filed: **Mar. 19, 2018**

(30) **Foreign Application Priority Data**

Sep. 20, 2017 (JP) D2017-020467

(51) **LOC (12) Cl.** **26-06**

(52) **U.S. Cl.**
USPC **D26/28**

(58) **Field of Classification Search**
USPC D26/28-36, 139
CPC F21S 48/00; F21S 48/10; F21S 48/115;
F21S 48/225; F21S 48/1233; F21S 48/1266; F21S 48/1388; F21S 48/2268;
F21V 13/00; F21V 21/04; F21V 29/004
See application file for complete search history.

(56) **References Cited**

U.S. PATENT DOCUMENTS

D607,589 S *	1/2010	Mattin	D26/28
D632,812 S *	2/2011	Matsumoto	D26/28
D656,642 S *	3/2012	Shimada	D26/28

* cited by examiner

Primary Examiner — Marcus A Jackson

(74) *Attorney, Agent, or Firm* — Studebaker & Brackett PC

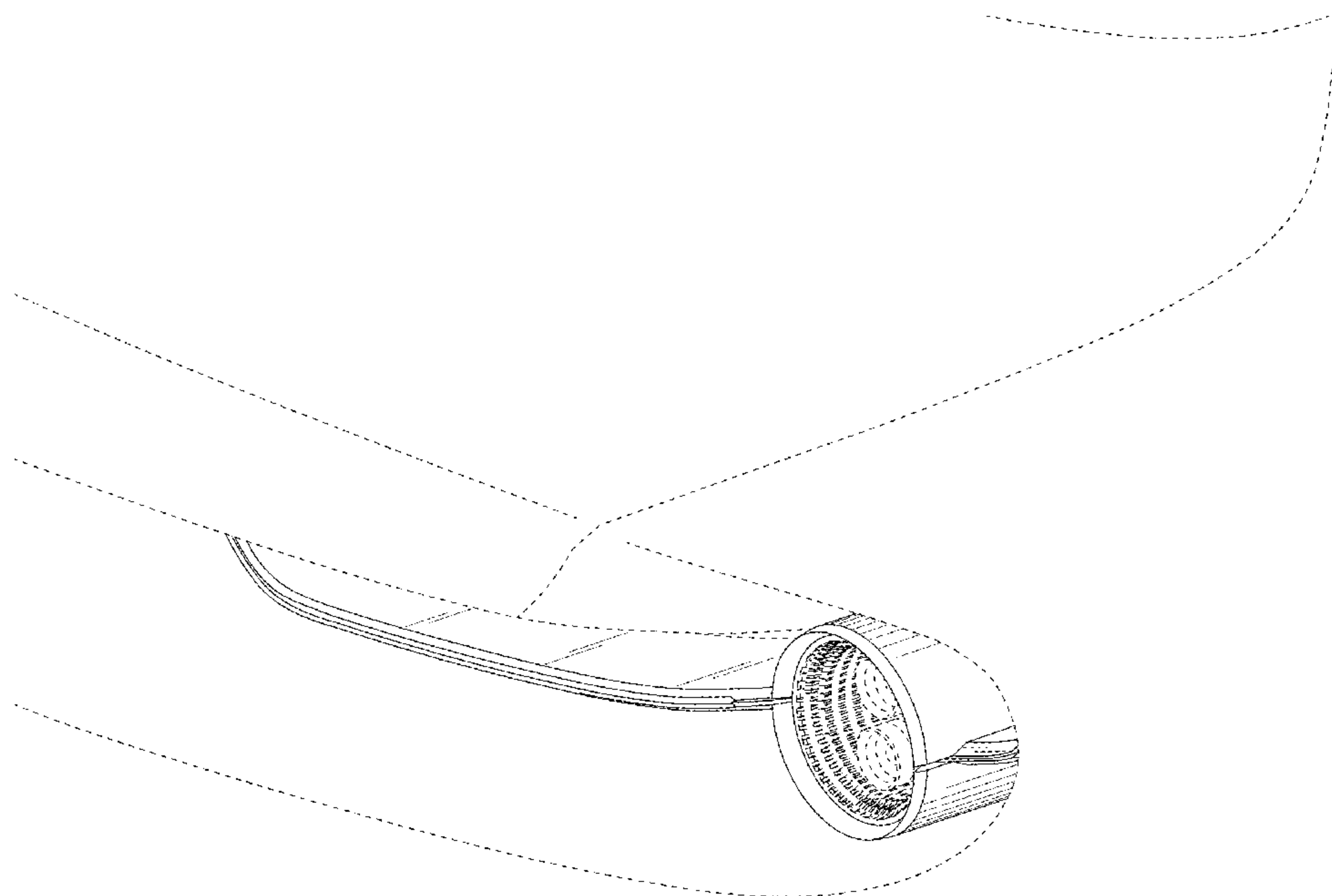
(57) **CLAIM**

The ornamental design for a vehicle taillight, as shown and described.

DESCRIPTION

FIG. 1 is a perspective view of a vehicle taillight;
 FIG. 2 is a front view thereof;
 FIG. 3 is a left side view thereof;
 FIG. 4 is a top view thereof;
 FIG. 5 is an enlarged view of FIG. 2 thereof;
 FIG. 6 is an enlarged view of FIG. 3 thereof;
 FIG. 7 is an enlarged view of FIG. 4 thereof;
 FIG. 8 is a first enlarged perspective view thereof; and,
 FIG. 9 is a second enlarged perspective view thereof.
 The broken lines depict portions of the vehicle taillight in which the design is embodied that are not considered part of the claimed design.

1 Claim, 9 Drawing Sheets



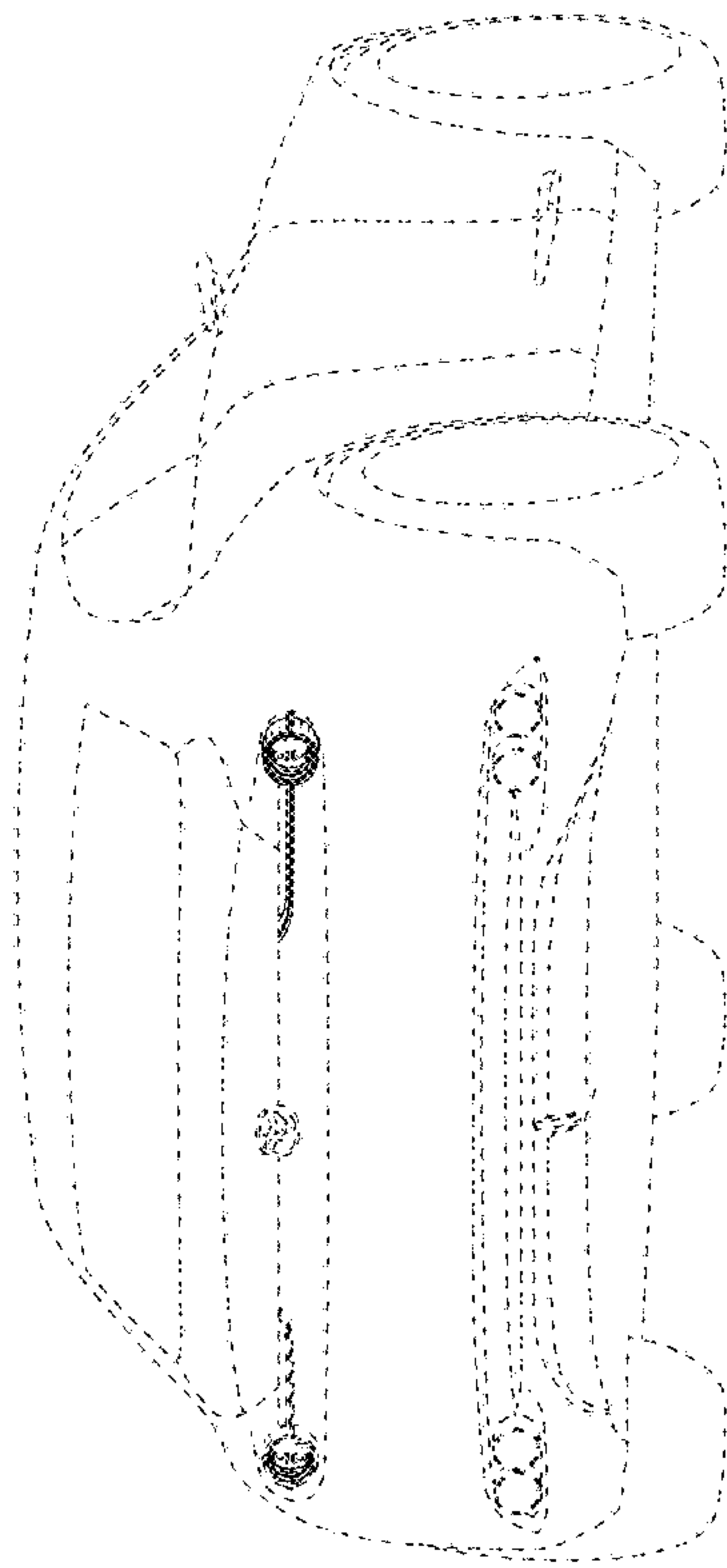


FIG.1

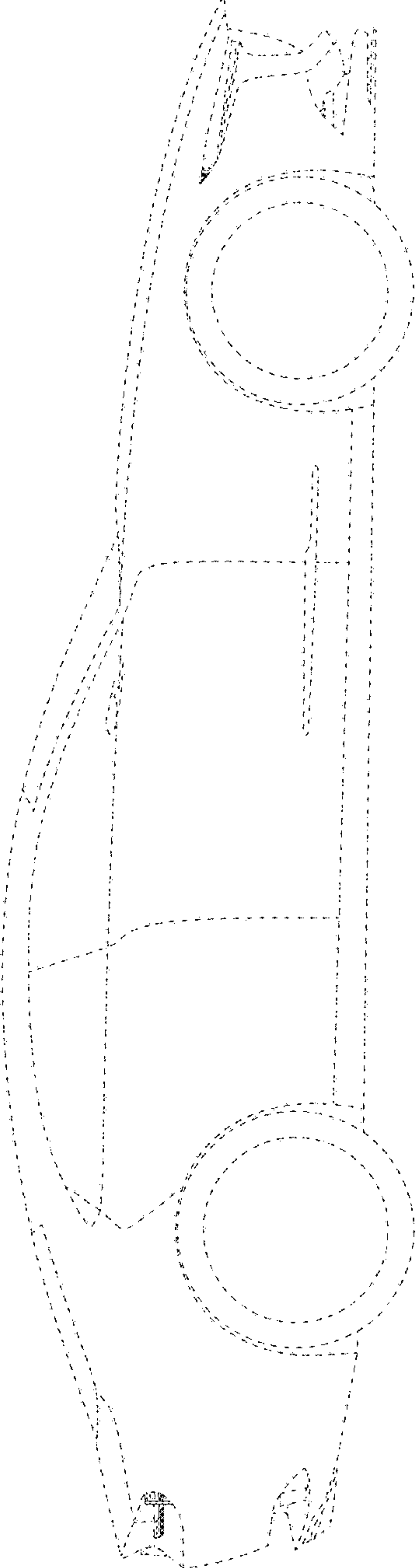


FIG.2

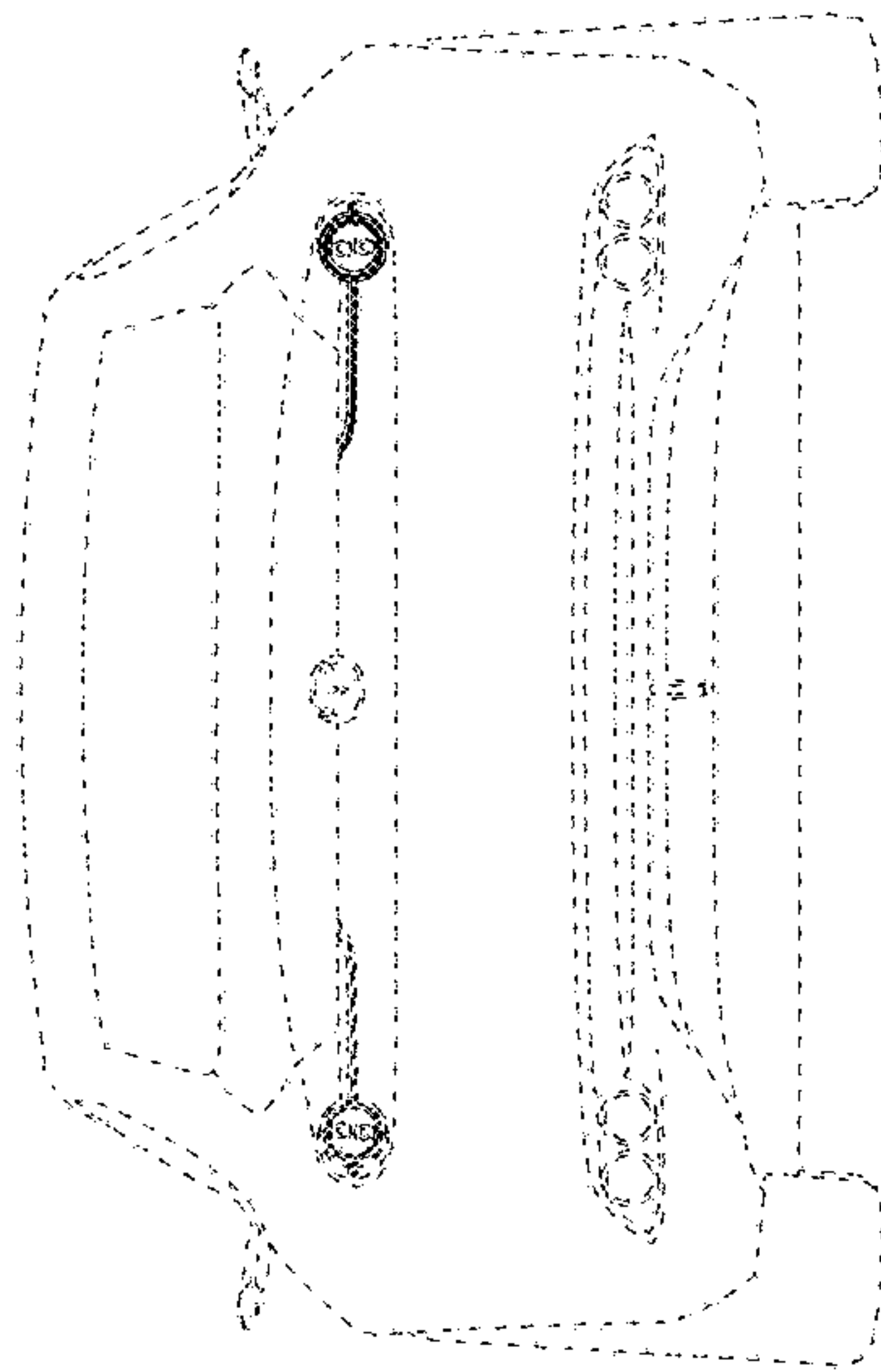


FIG.3

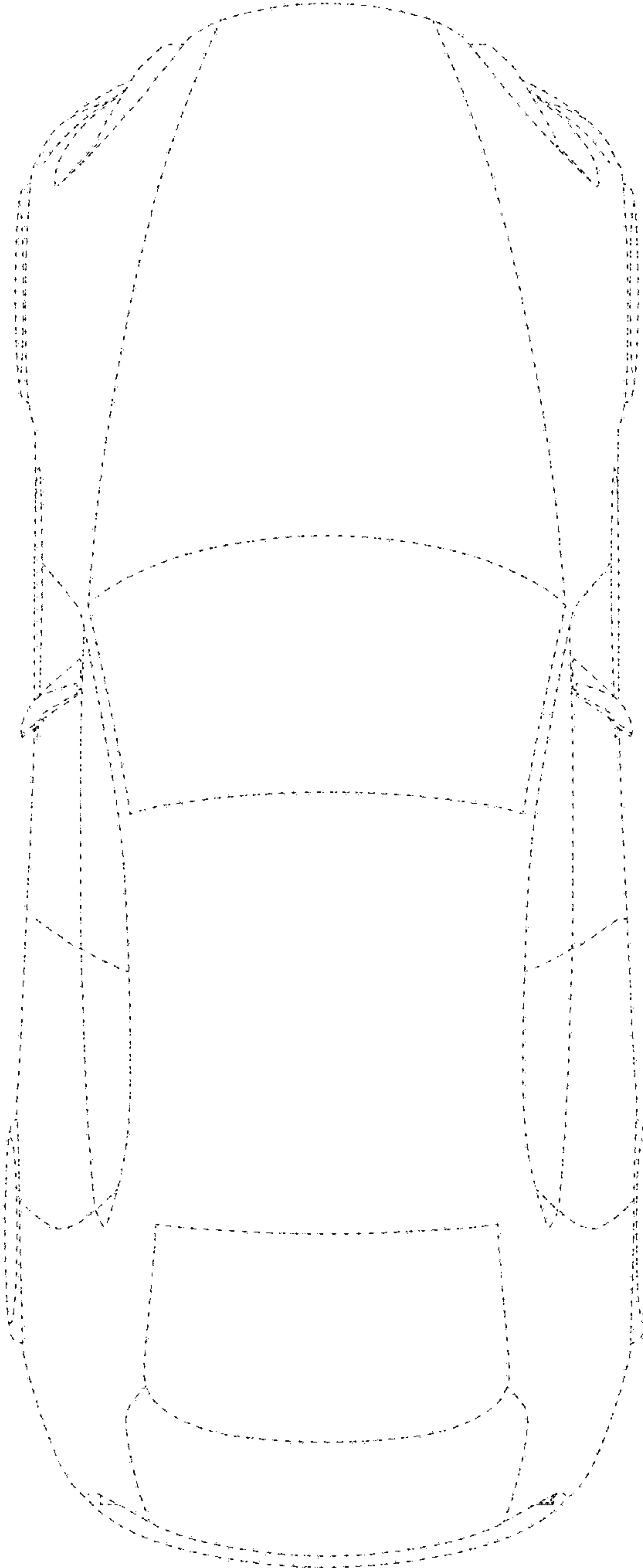


FIG.4

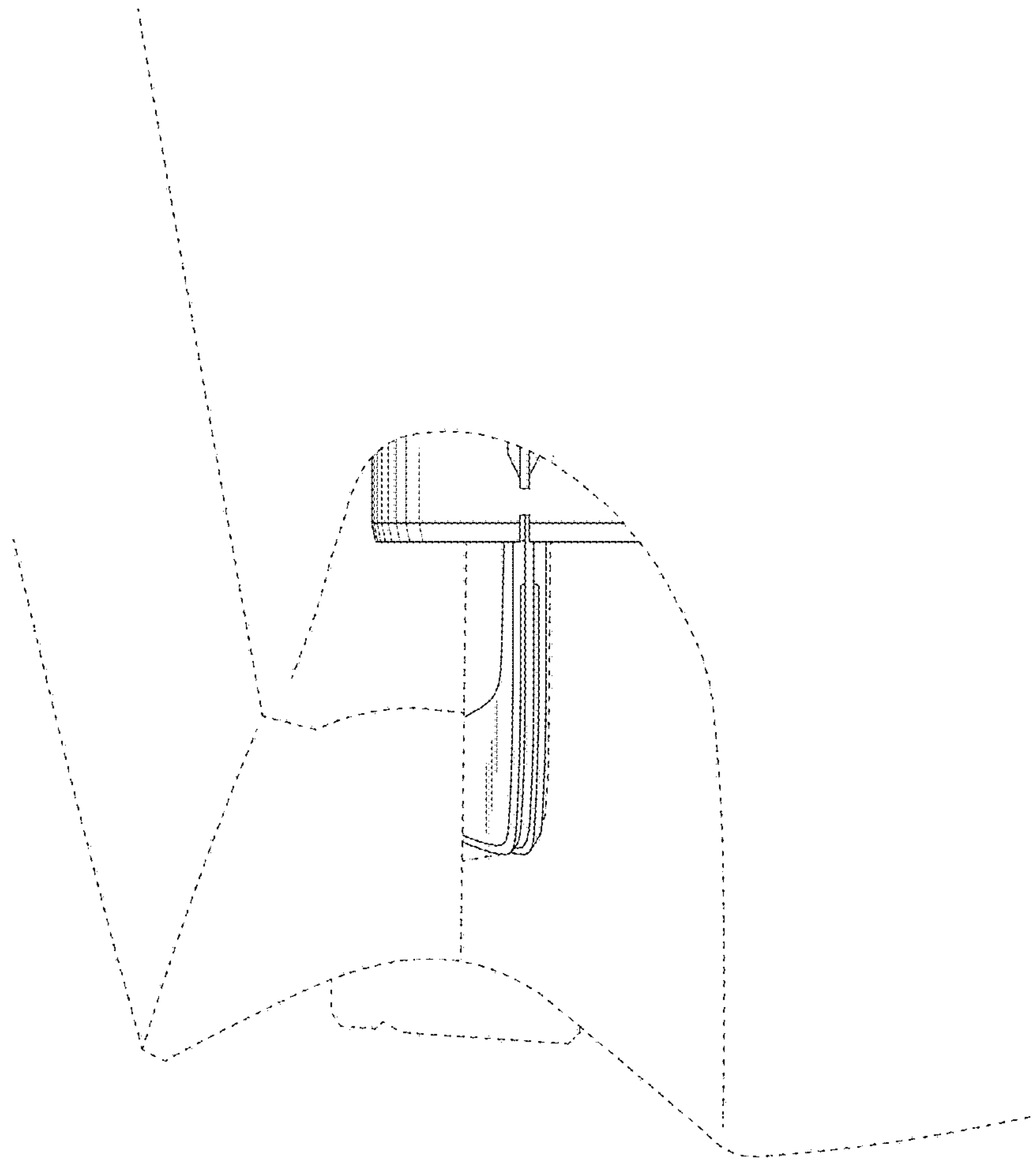


FIG.5

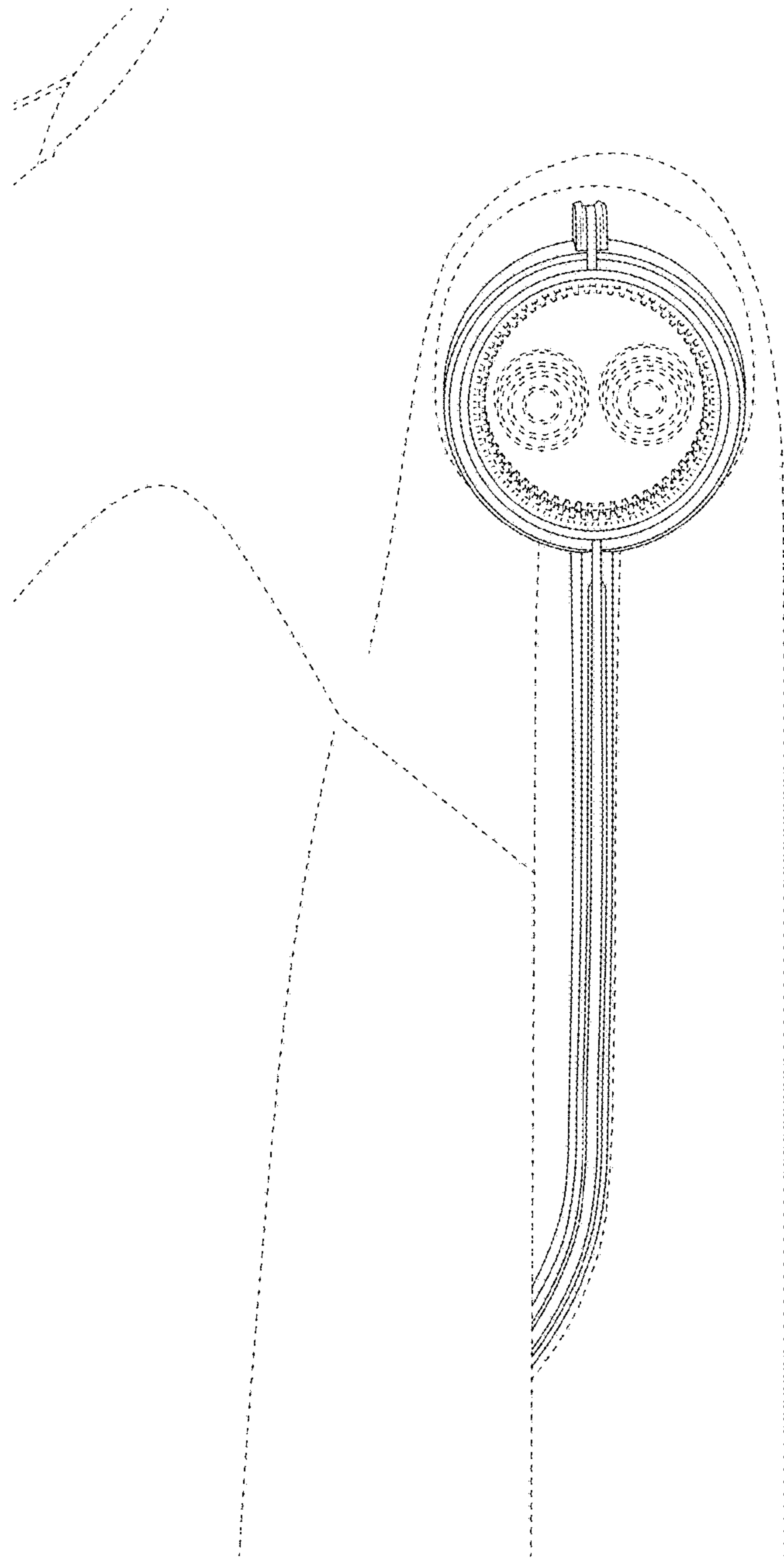


FIG.6

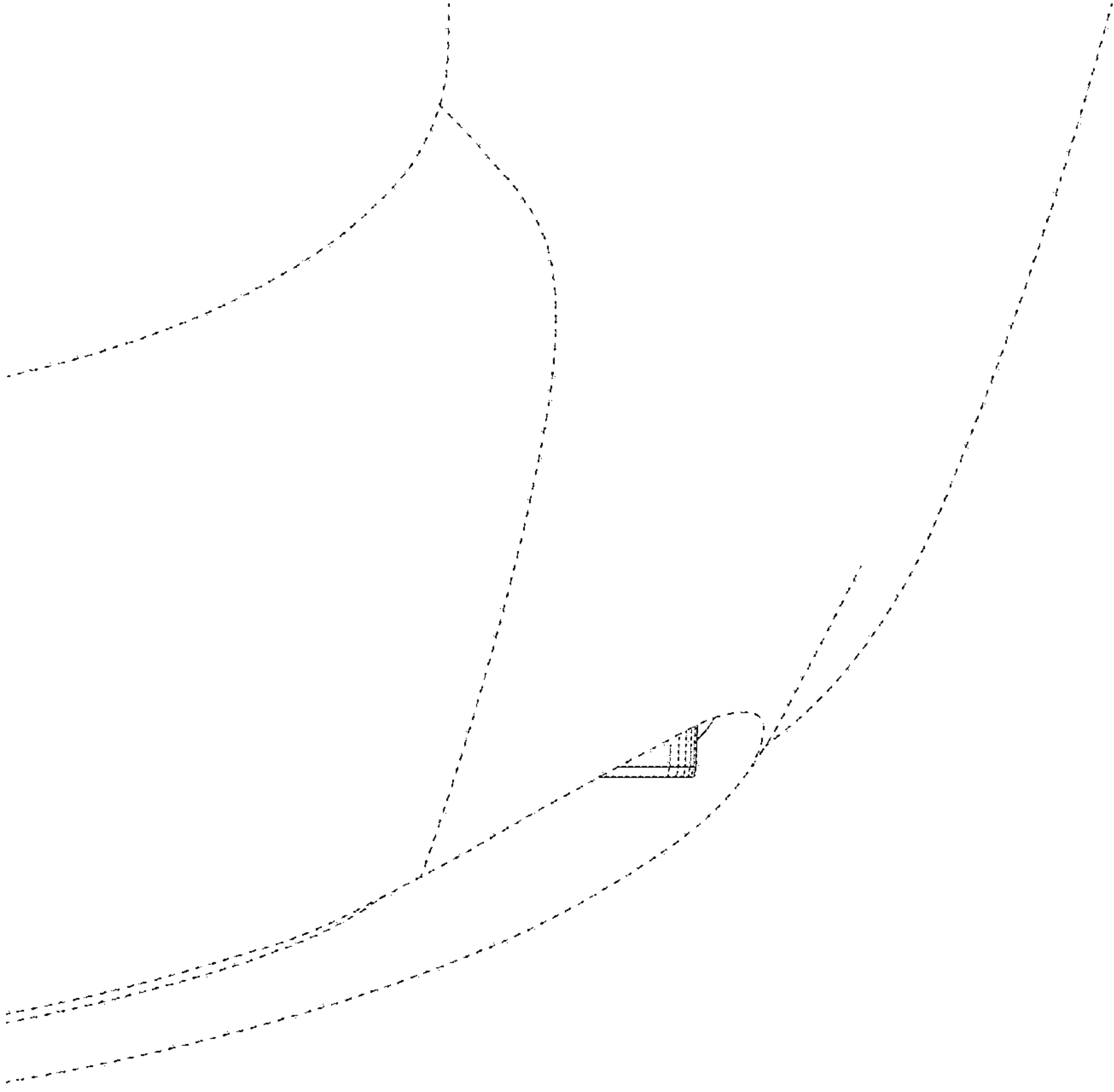
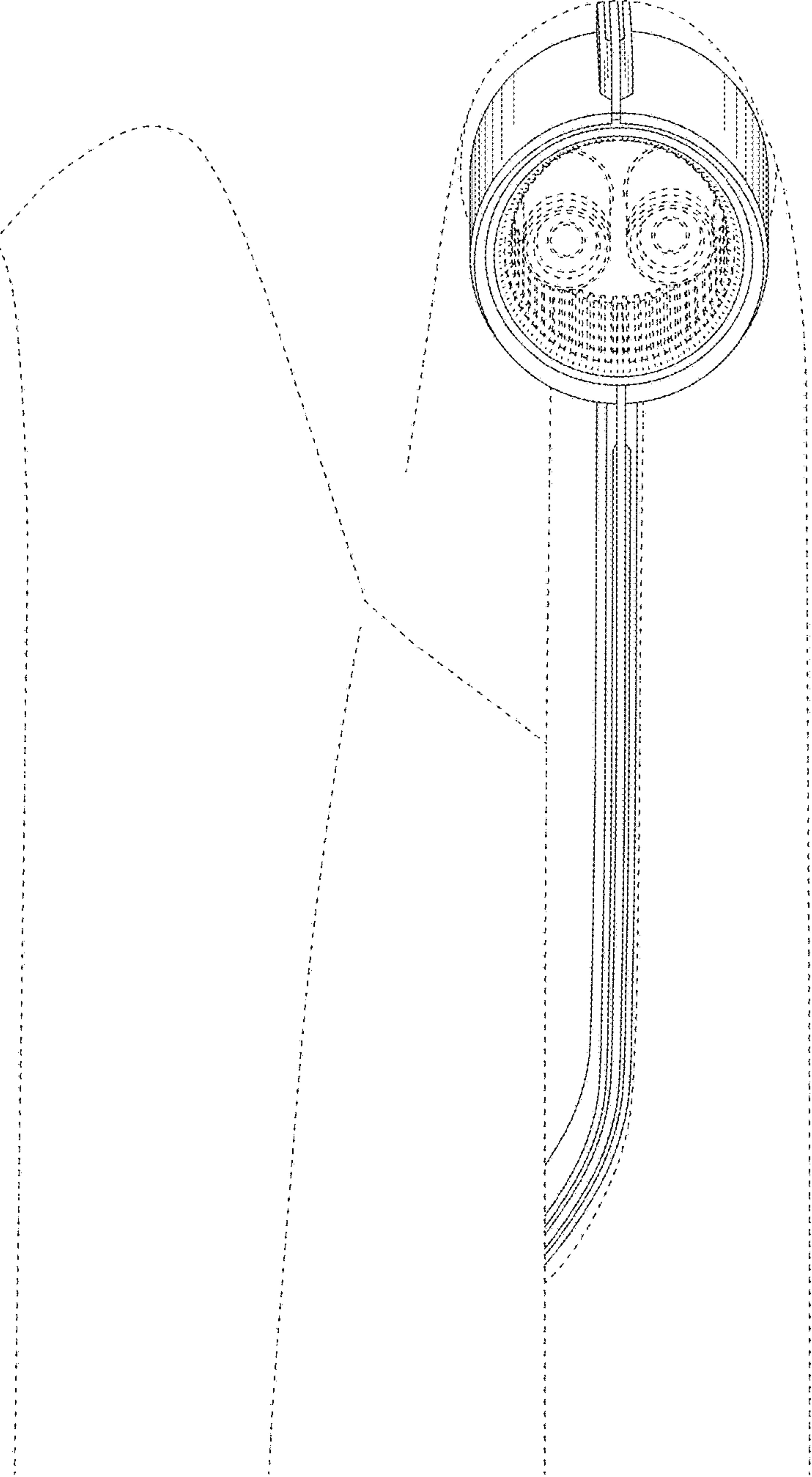


FIG.7

FIG.8



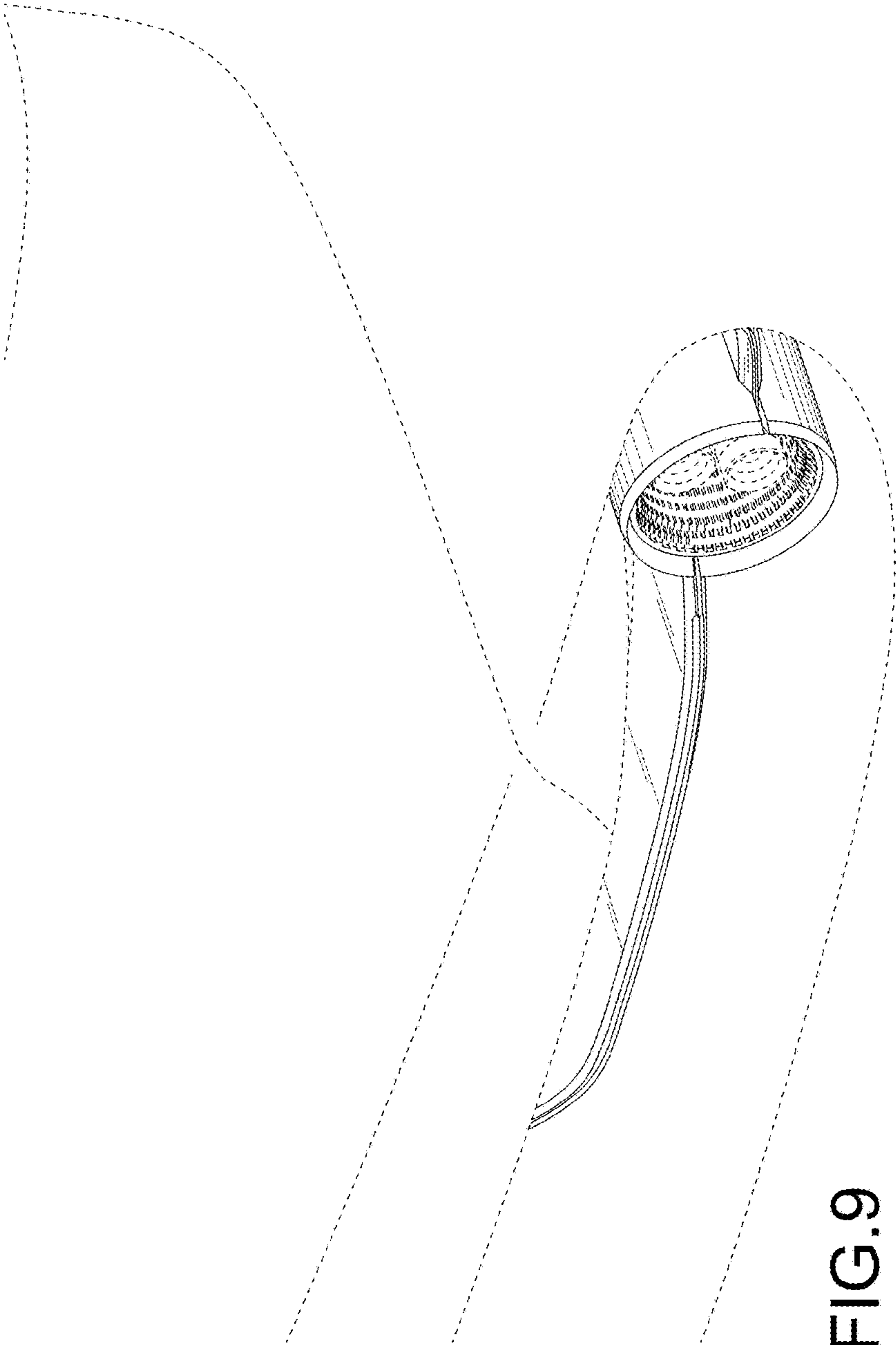


FIG. 9