



US00D857935S

(12) **United States Design Patent**
Tajima

(10) **Patent No.:** **US D857,935 S**

(45) **Date of Patent:** **** Aug. 27, 2019**

(54) **ACTUATOR FOR VEHICLE LAMP**

(71) Applicant: **KOITO MANUFACTURING CO., LTD.**, Tokyo (JP)

(72) Inventor: **Keiichi Tajima**, Shizuoka (JP)

(73) Assignee: **KOITO MANUFACTURING CO., LTD.**, Minato-ku, Tokyo (JP)

(**) Term: **15 Years**

(21) Appl. No.: **29/619,901**

(22) Filed: **Oct. 3, 2017**

(30) **Foreign Application Priority Data**

Apr. 5, 2017 (JP) 2017-007226

(51) **LOC (12) Cl.** **26-06**

(52) **U.S. Cl.**
USPC **D26/28**

(58) **Field of Classification Search**

USPC D12/86, 90-92, 114, 163, 169, 171-173,
D12/181, 190, 196, 197, 199, 400;
D13/112, 171, 174, 158; D15/143;
D23/233; D26/28-36

CPC ... B60Q 3/0279; B62J 6/02; B62J 6/00; F21S
48/00; F21S 48/10; F21S 48/115; F21S
48/225; F21S 48/1233; F21S 48/1266;
F21S 48/1388; F21S 48/2268; F21V
21/04

See application file for complete search history.

(56) **References Cited**

U.S. PATENT DOCUMENTS

D327,077 S * 6/1992 Bailey D15/138
D518,837 S * 4/2006 Taguchi D15/143

D568,964 S * 5/2008 Shinmura D23/233
D569,481 S * 5/2008 Shinmura D23/233
D571,290 S * 6/2008 Gebhart D13/112
D583,397 S * 12/2008 Sanders D15/143
D614,148 S * 4/2010 Crites D13/158
D614,149 S * 4/2010 Crites D13/158
D614,150 S * 4/2010 Crites D13/158
D730,844 S * 6/2015 McClung D13/158
D832,325 S * 10/2018 Matsuto D15/148
D841,713 S * 2/2019 Miyashita D15/199
2016/0153527 A1 * 6/2016 Okada F16H 1/145
74/412 R

* cited by examiner

Primary Examiner — Philip S Hyder

Assistant Examiner — Cary M Robinson

(74) *Attorney, Agent, or Firm* — Sughrue Mion, PLLC

(57) **CLAIM**

The ornamental design for actuator for vehicle lamp, as shown and described.

DESCRIPTION

FIG. 1 is a front perspective view of an actuator for vehicle lamp showing my new design

FIG. 2 is a rear perspective view thereof;

FIG. 3 is a front view thereof;

FIG. 4 is a rear view thereof;

FIG. 5 is a left side view thereof;

FIG. 6 is a right side view thereof;

FIG. 7 is a top view thereof; and,

FIG. 8 is a bottom view thereof.

The broken lines in the figures are included for the purpose of illustrating portions of the actuator for vehicle lamp that form no part of the claimed design.

1 Claim, 6 Drawing Sheets

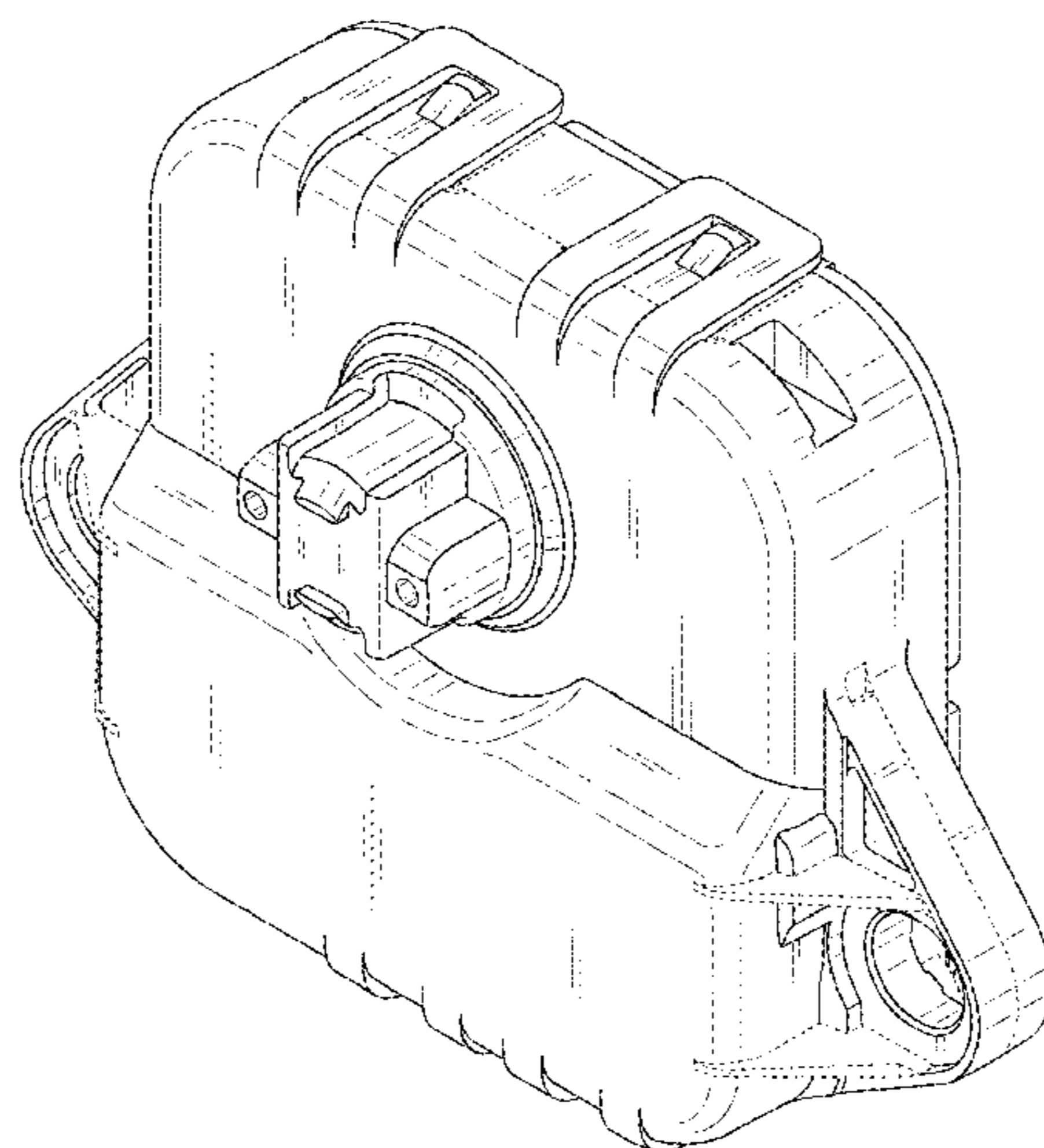


Fig. 1

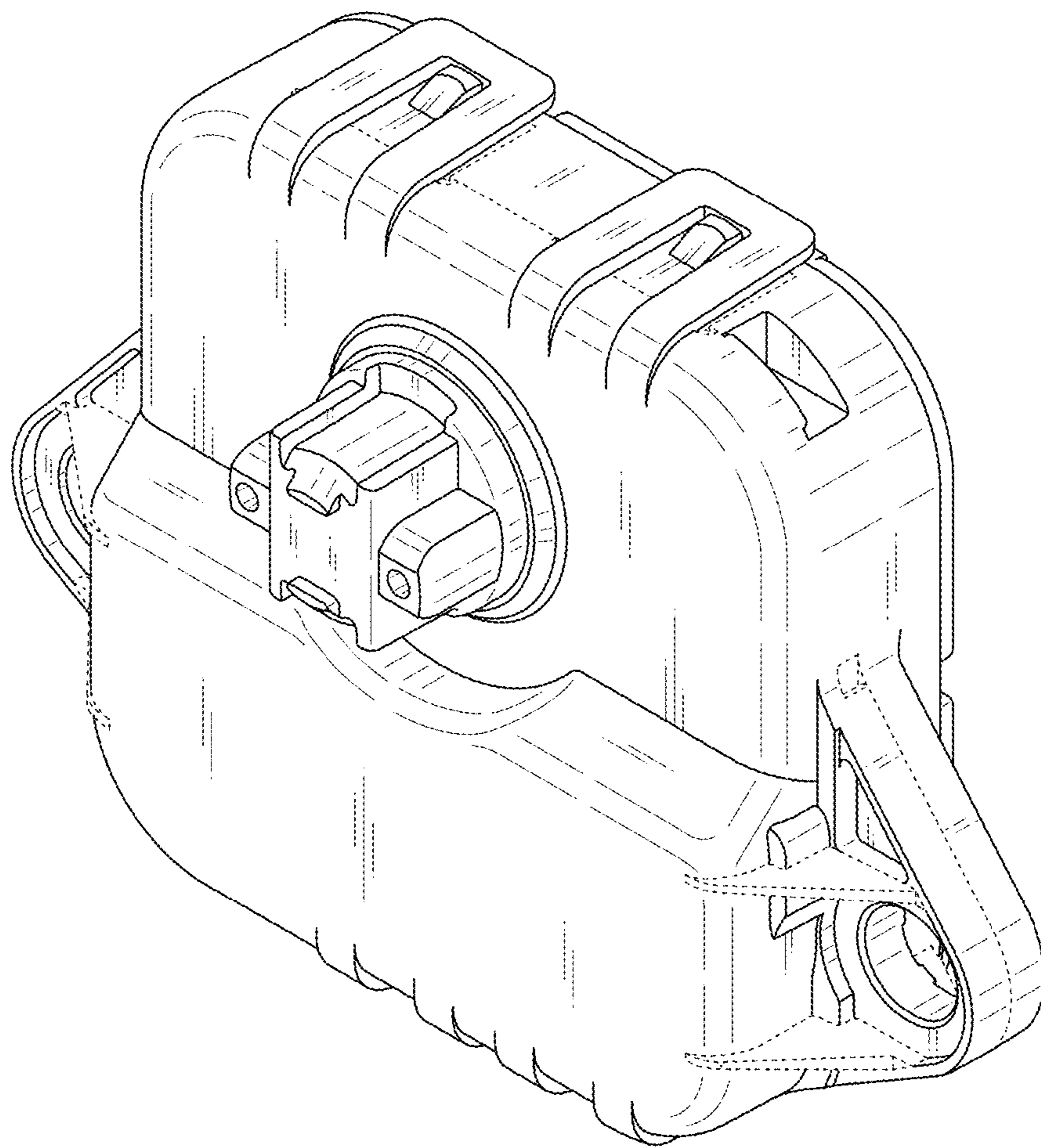


Fig. 2

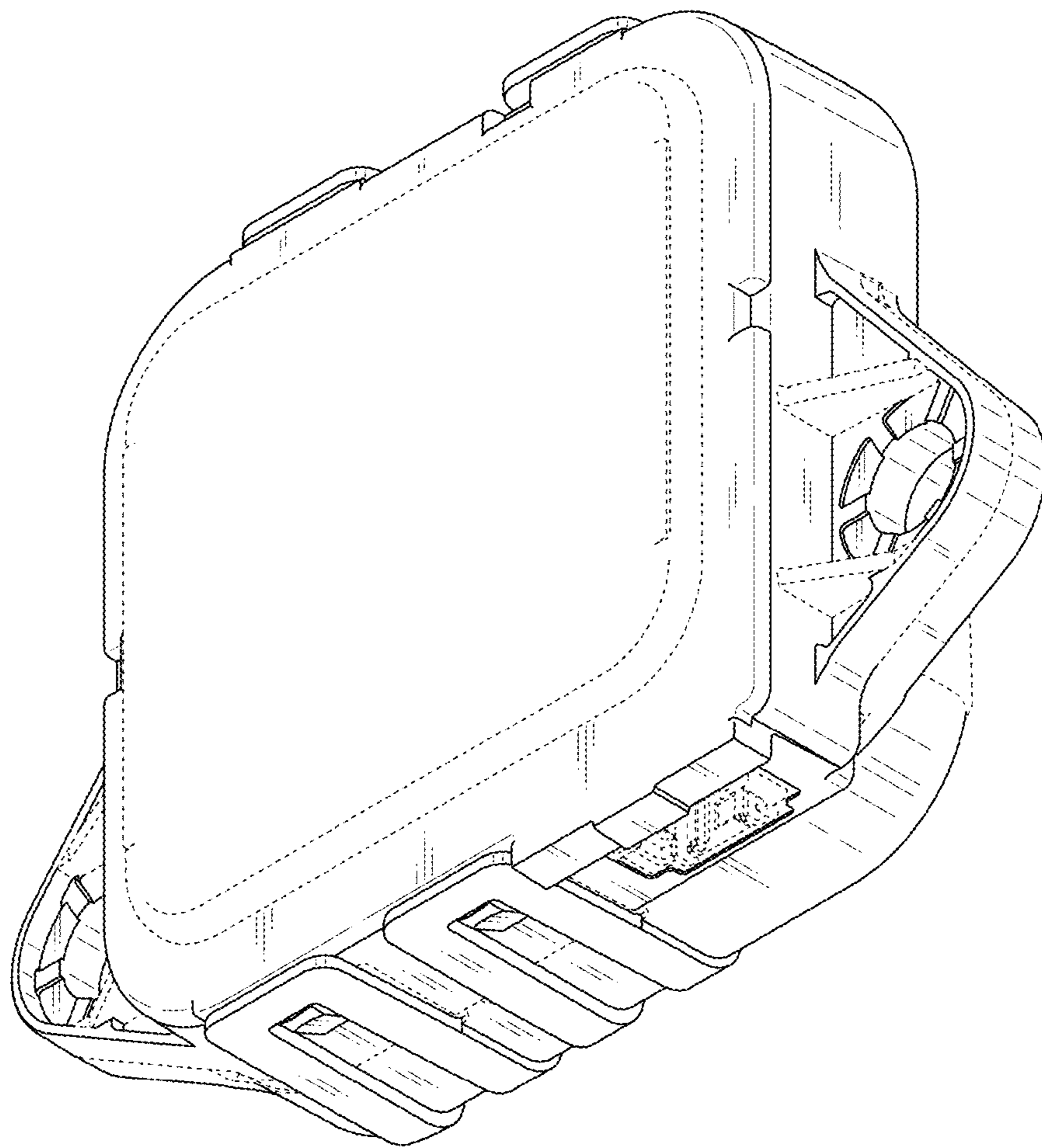


Fig. 3

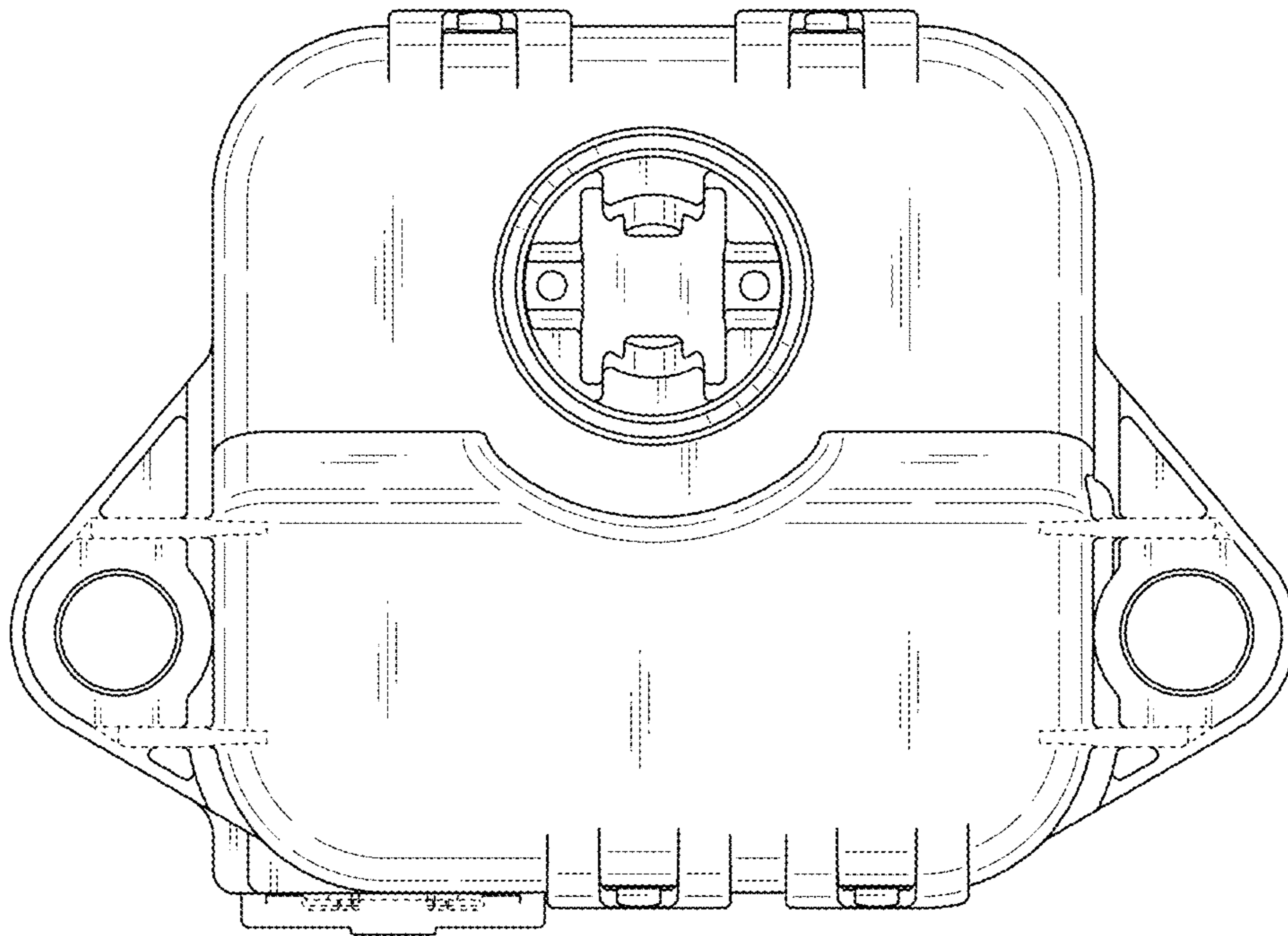


Fig. 4

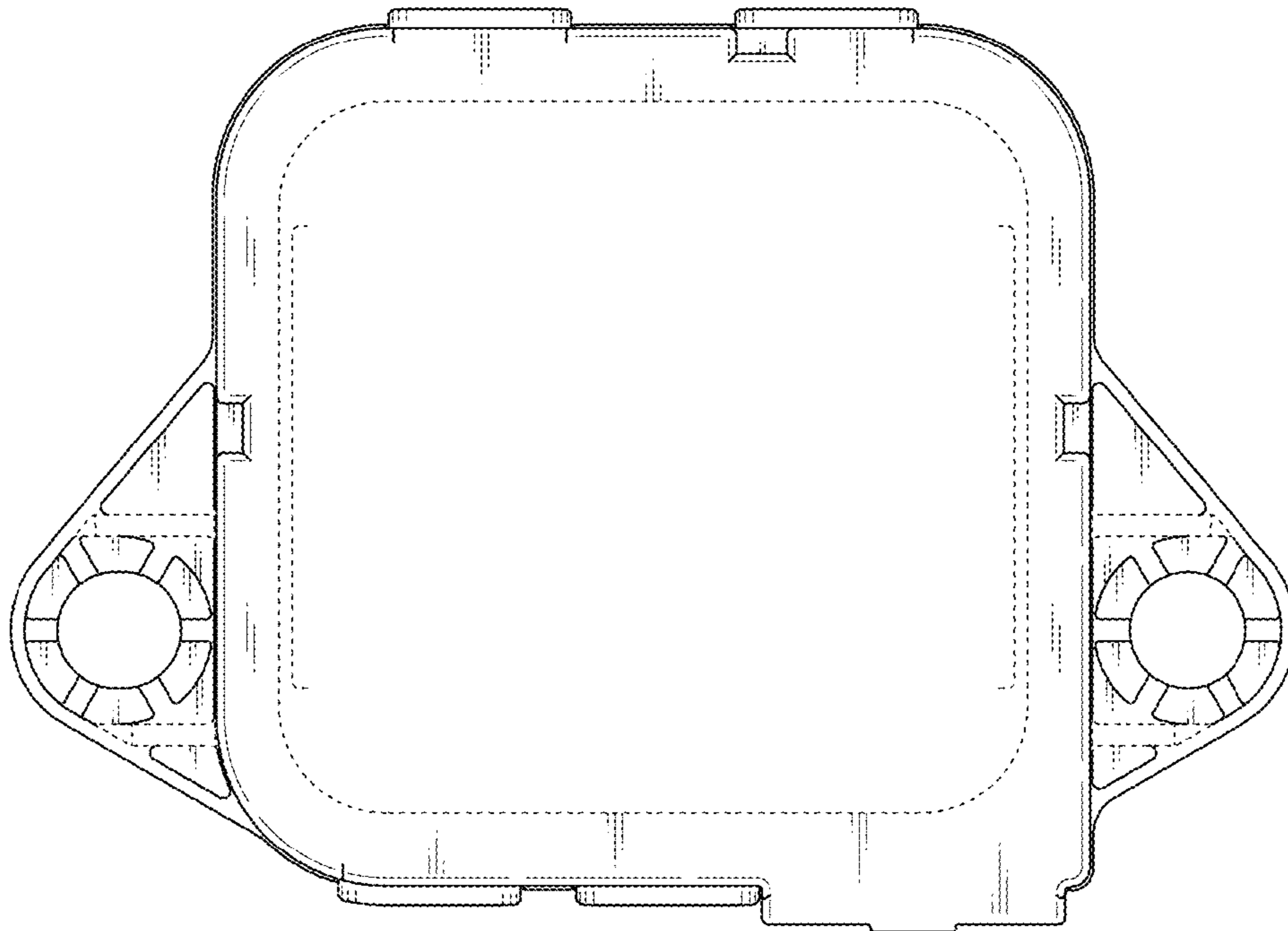


Fig. 5

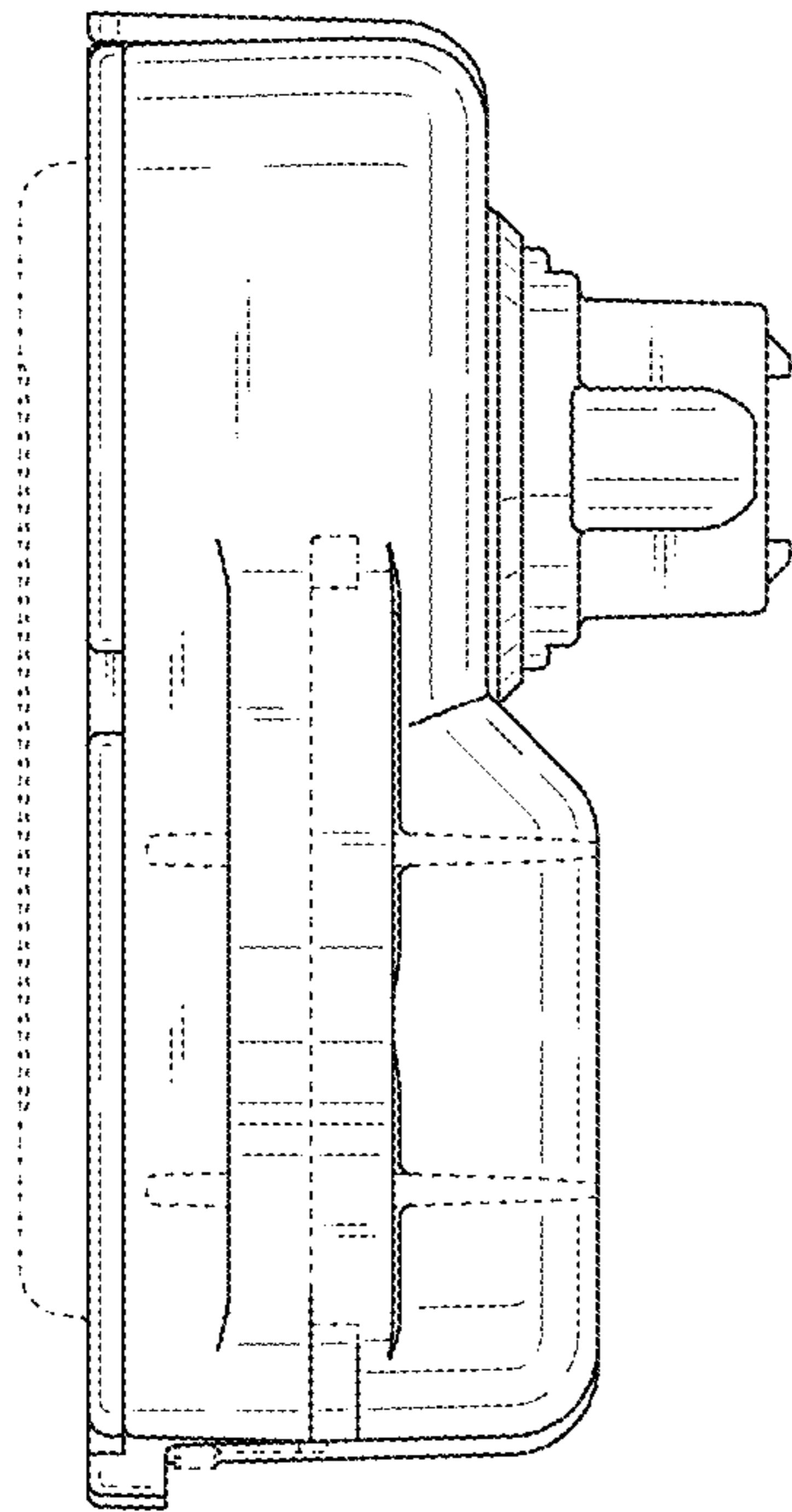


Fig. 6

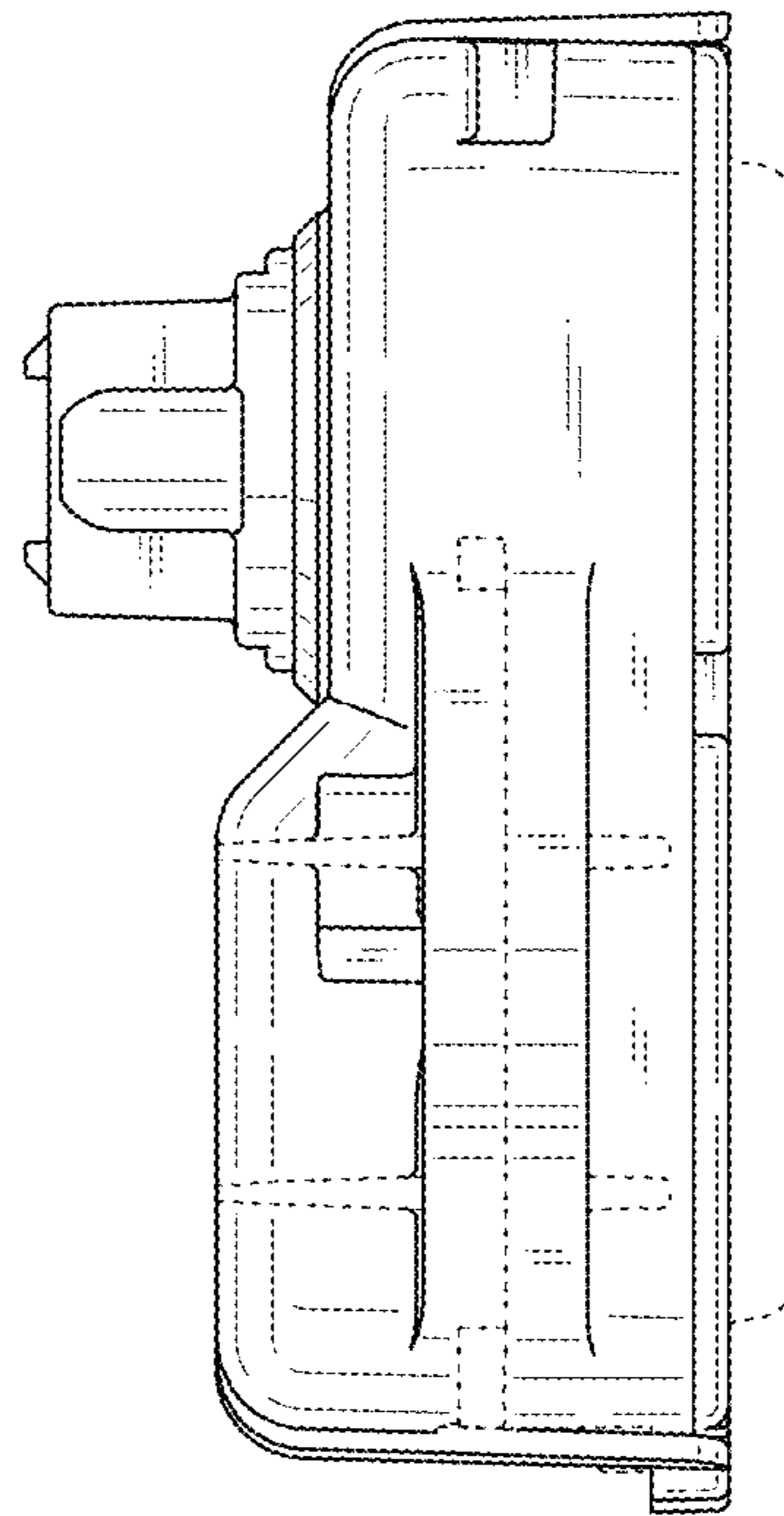


Fig. 7

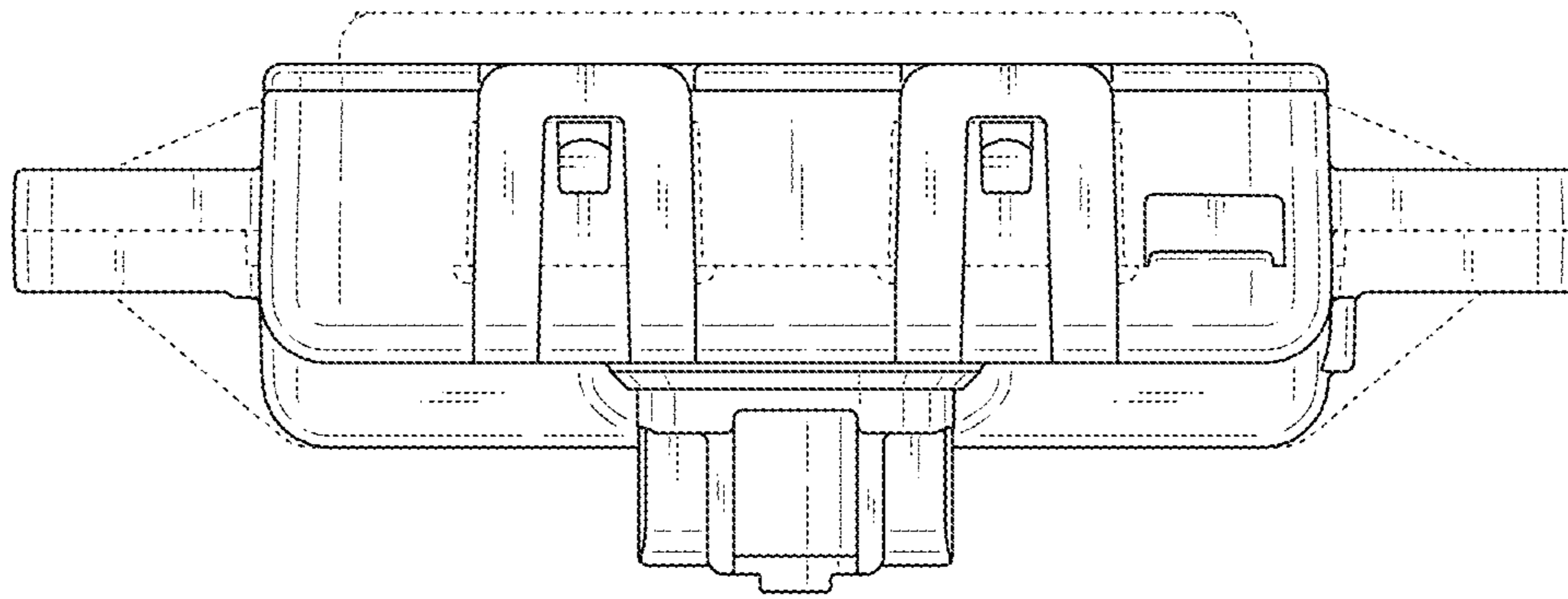


Fig. 8

