



US00D857924S

(12) **United States Design Patent** (10) **Patent No.:** **US D857,924 S**
Steen (45) **Date of Patent:** **** Aug. 27, 2019**

(54) **WINDOW TRACK**

(71) Applicant: **David Earl Steen**, Conroe, TX (US)

(72) Inventor: **David Earl Steen**, Conroe, TX (US)

(**) Term: **15 Years**

(21) Appl. No.: **29/574,993**

(22) Filed: **Aug. 21, 2016**

(51) **LOC (12) Cl.** **25-01**

(52) **U.S. Cl.**

USPC **D25/119**

(58) **Field of Classification Search**

USPC D25/35, 38.1, 41.1, 47.1, 48.2, 48.3,
D25/48.4, 48.7, 55, 61, 119-137, 164,
D25/199; D8/349, 353, 354, 355, 363,
D8/373, 376, 377, 380, 381, 382, 403;
D6/324, 327, 648.1, 653.11, 654.11, 702,
D6/712, 718.12, 512, 554, 556; D26/138
CPC ... E04C 3/00; E04C 3/005; E04C 3/02; E04C
3/04; E04C 3/12; E04C 3/20; E04C 3/28;
E04C 3/30; A01M 31/025; E06B 1/06;
E06B 1/12; E06B 1/16; E06B 1/36; E06B
1/366; E06B 1/38; E06B 3/00; E06B
3/34; E06B 3/42; E06B 3/46; E06B
3/4609; E06B 3/4618; E06B 3/4627;
E06B 5/00; E06B 5/02; E06B 5/04; E06B
5/06

See application file for complete search history.

(56) **References Cited**

U.S. PATENT DOCUMENTS

4,344,648 A * 8/1982 Mapp E06B 7/28
15/257.1
D427,325 S * 6/2000 Ginzel D25/119
D558,358 S * 12/2007 DiGennaro E04F 15/082
D25/60

(Continued)

Primary Examiner — Cynthia Ramirez

Assistant Examiner — L. Martinez

(74) *Attorney, Agent, or Firm* — Dossey & Jones, PLLC;
Phillip Black

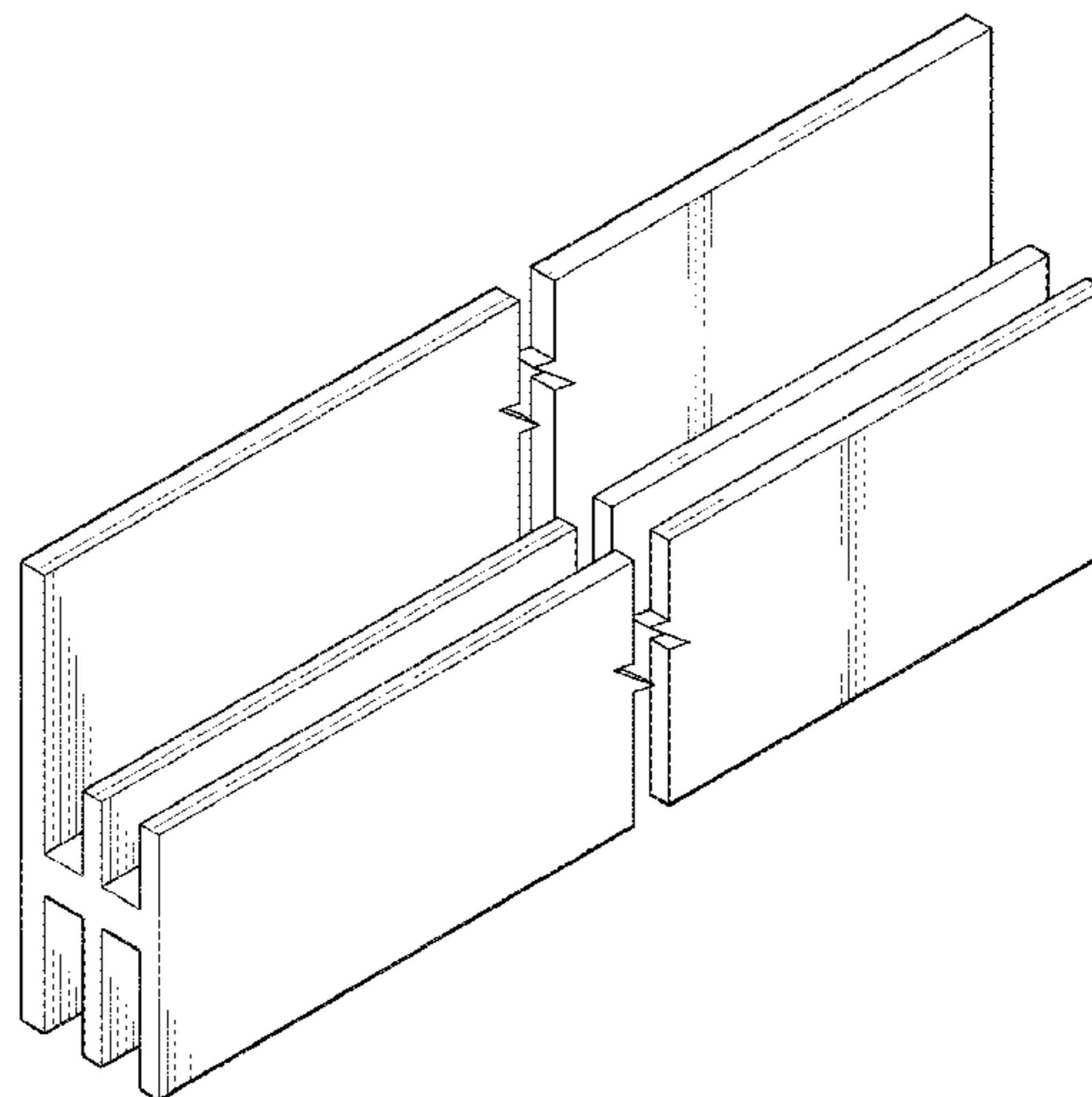
(57) **CLAIM**

The ornamental design for a window track, as shown and described.

DESCRIPTION

FIG. 1 is a side perspective view of a first embodiment of a window track showing my new design;
FIG. 2 is a front-end view thereof;
FIG. 3 is a right-side view thereof;
FIG. 4 is a left-side view thereof;
FIG. 5 is a top view thereof, the bottom view being a mirror image thereof;
FIG. 6 is a front end view thereof, showing the window track of FIG. 1 in an environment of use;
FIG. 7 is another front-end view thereof, showing the window track of FIG. 1 in an environment of use;
FIG. 8 is a side perspective view thereof, showing the window track of FIG. 1 in an environment of use;
FIG. 9 is another side perspective view thereof, showing the window track of FIG. 1 in an environment of use;
FIG. 10 is a side perspective view of a second embodiment of the window track showing my new design.
FIG. 11 is a front-end view thereof;
FIG. 12 is a right-side view thereof;
FIG. 13 is a left-side view thereof; and,
FIG. 14 is a top-side view thereof, a bottom-side view (not shown) is a mirror image thereof.
The broken lines in the drawings illustrate environmental subject matter only and form no part of the claimed design. The window track in FIGS. 1 through 5 has been shown broken away for convenience of illustration. The window track is fully shown in FIGS. 8 and 9 in a smaller scale. The window track in FIGS. 10 through 14 has been shown with a symbolic break in its length. The appearance of any portion of the window track between the breaks form no part of the claimed design.

1 Claim, 5 Drawing Sheets



(56)

References Cited

U.S. PATENT DOCUMENTS

D574,513	S	*	8/2008	Vibiano	D25/136
D577,131	S	*	9/2008	Cole	D25/119
D594,563	S	*	6/2009	Polston	D25/136
D640,393	S	*	6/2011	Wickland	D25/119
D656,628	S	*	3/2012	DiGennaro	D25/119
D666,321	S	*	8/2012	Morton	D25/119
9,518,393	B2	*	12/2016	Bordener	E04F 13/083
D794,215	S	*	8/2017	Reutlinger	D25/48.3
D800,342	S	*	10/2017	Balas	D25/48.2
2015/0201608	A1	*	7/2015	Steen	E06B 1/12 49/413

* cited by examiner

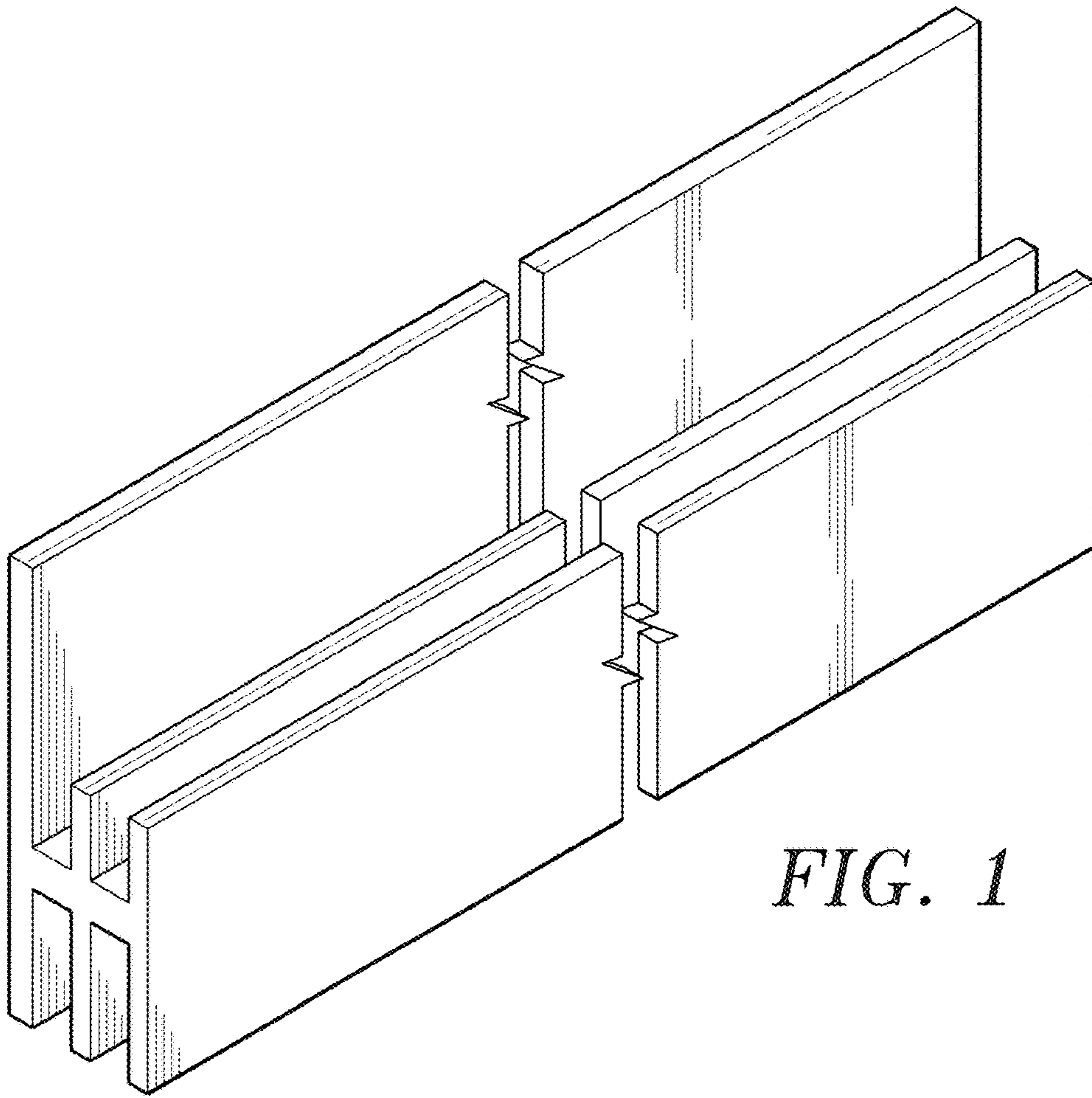


FIG. 1

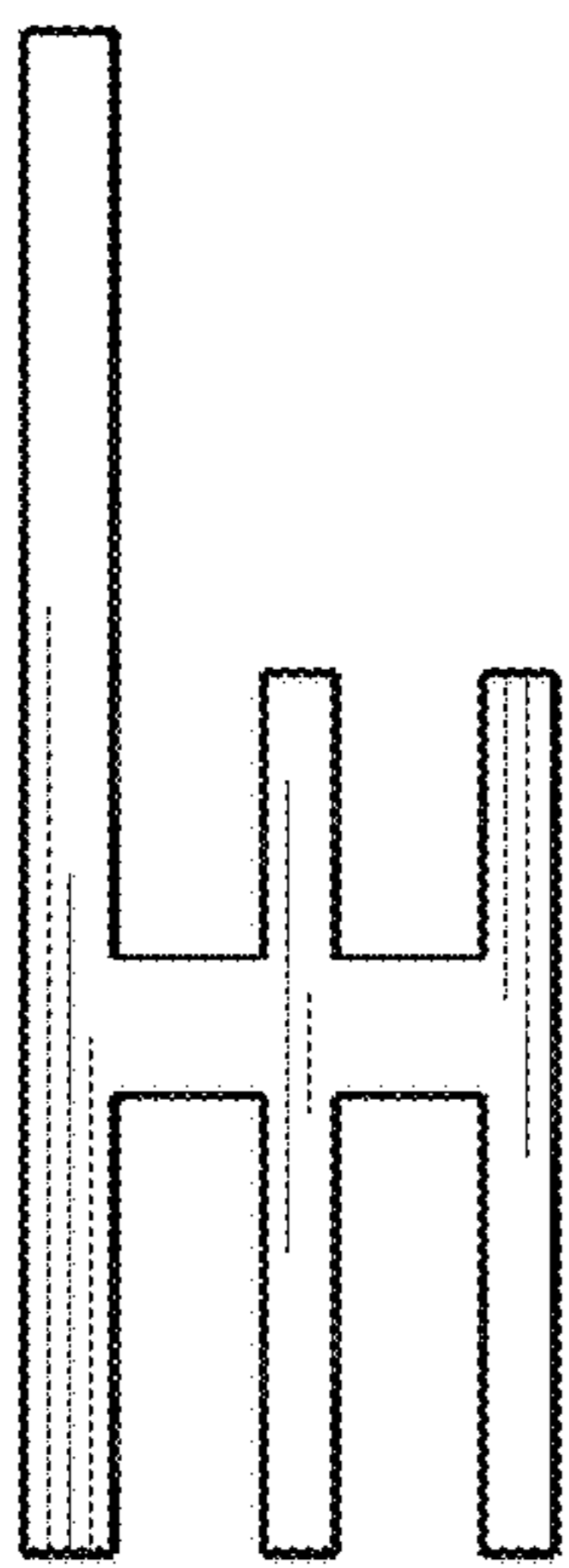


FIG. 2

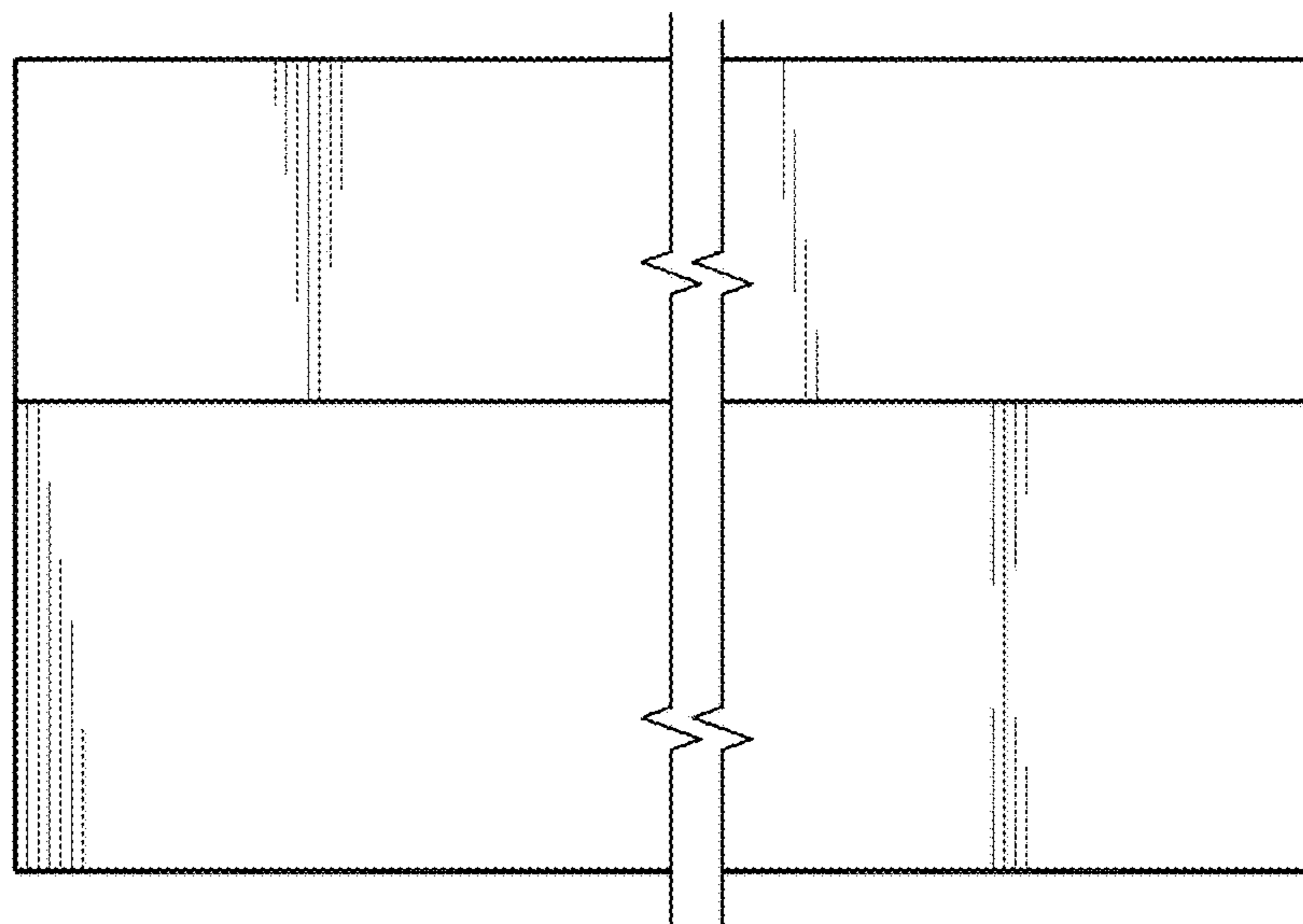


FIG. 3

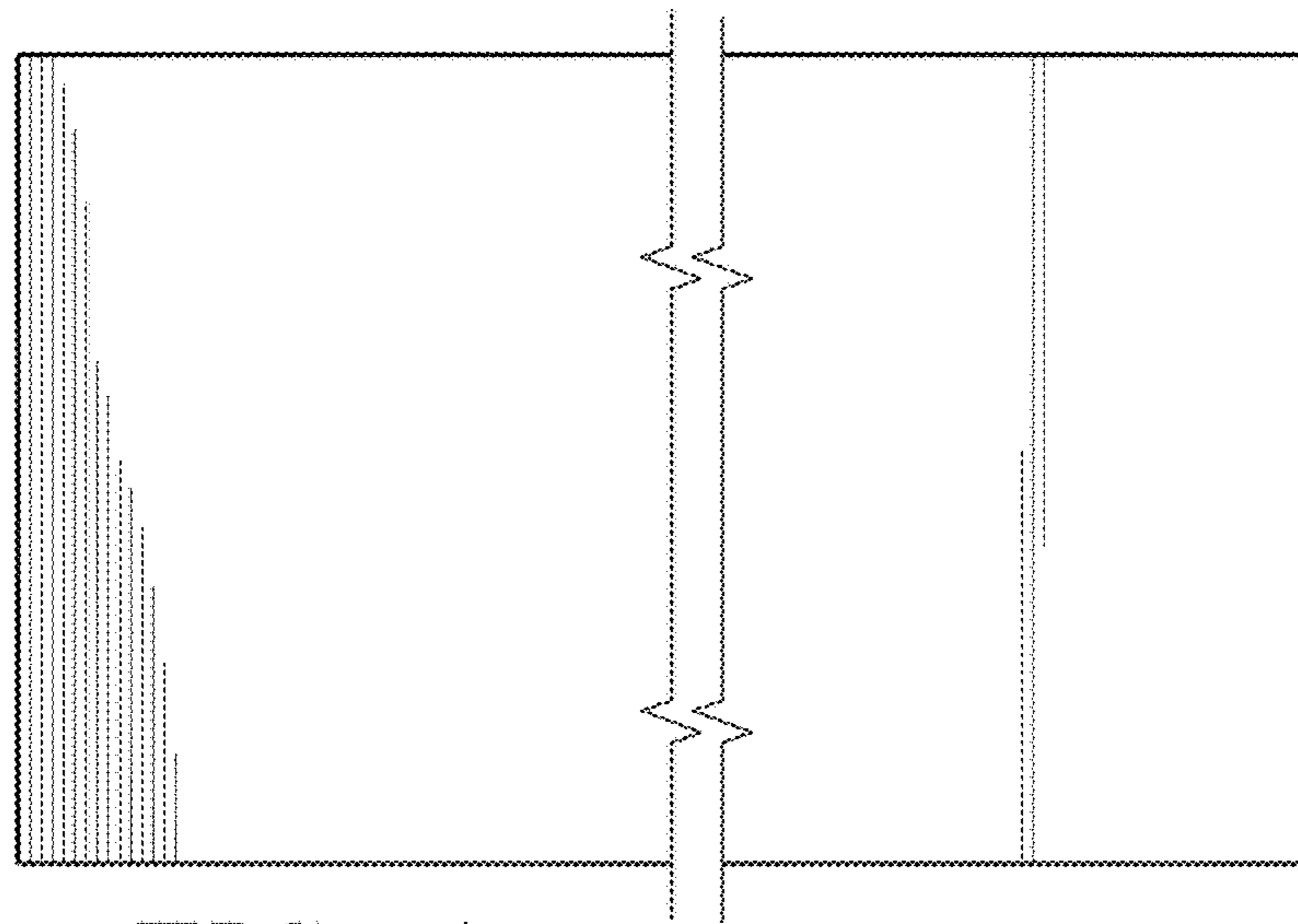


FIG. 4

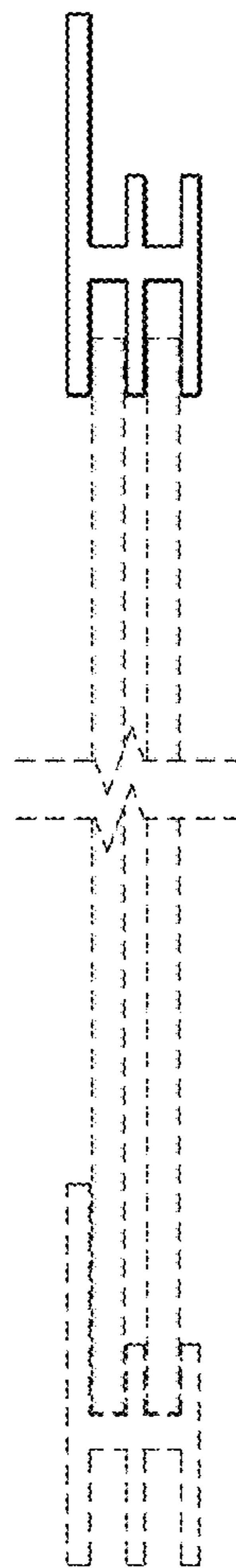


FIG. 6

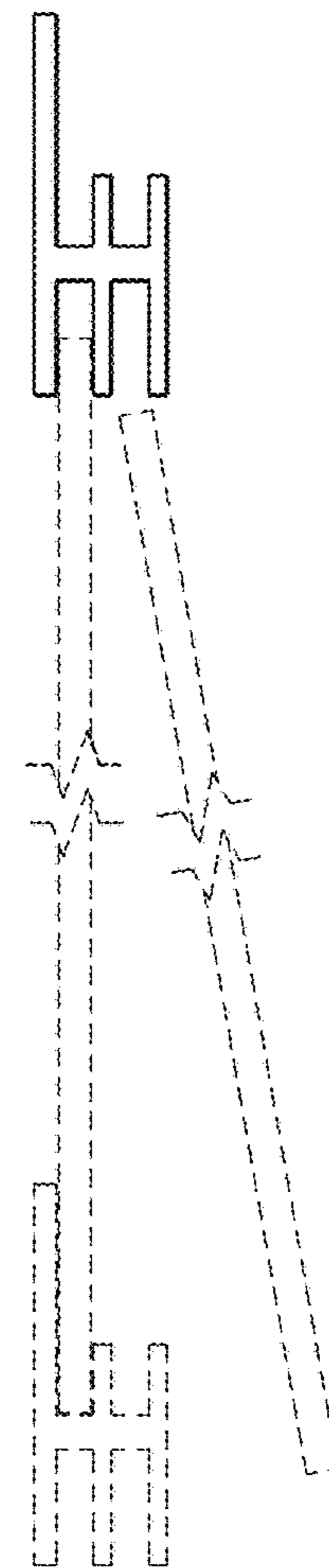


FIG. 7

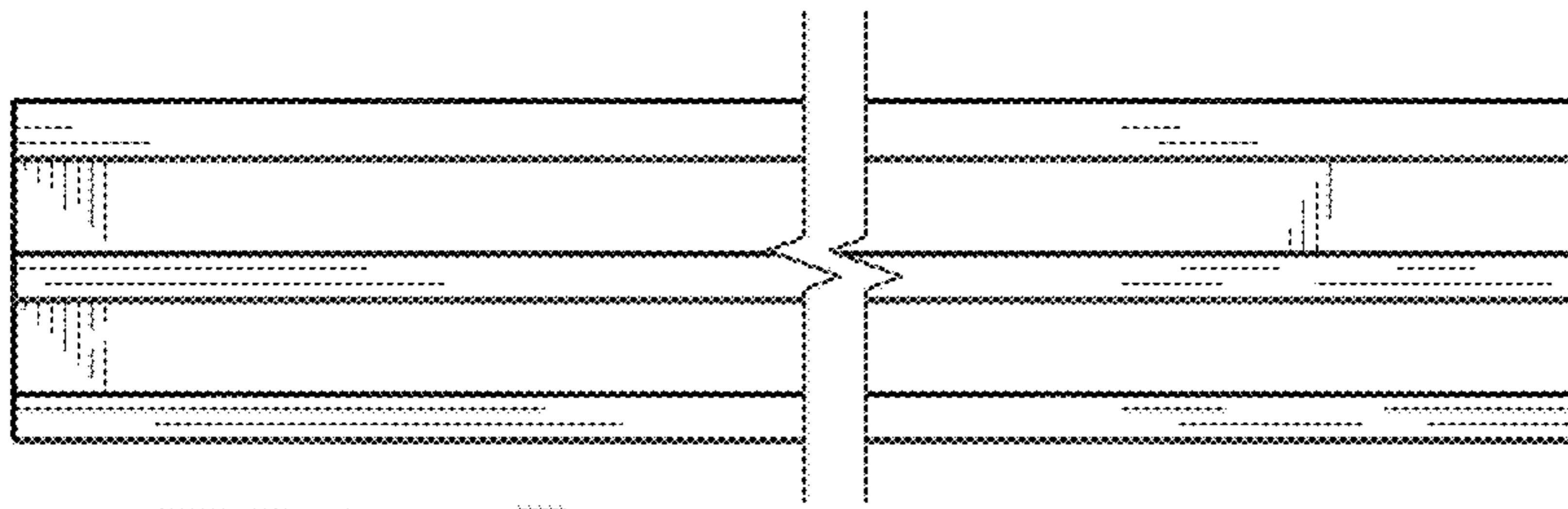


FIG. 5

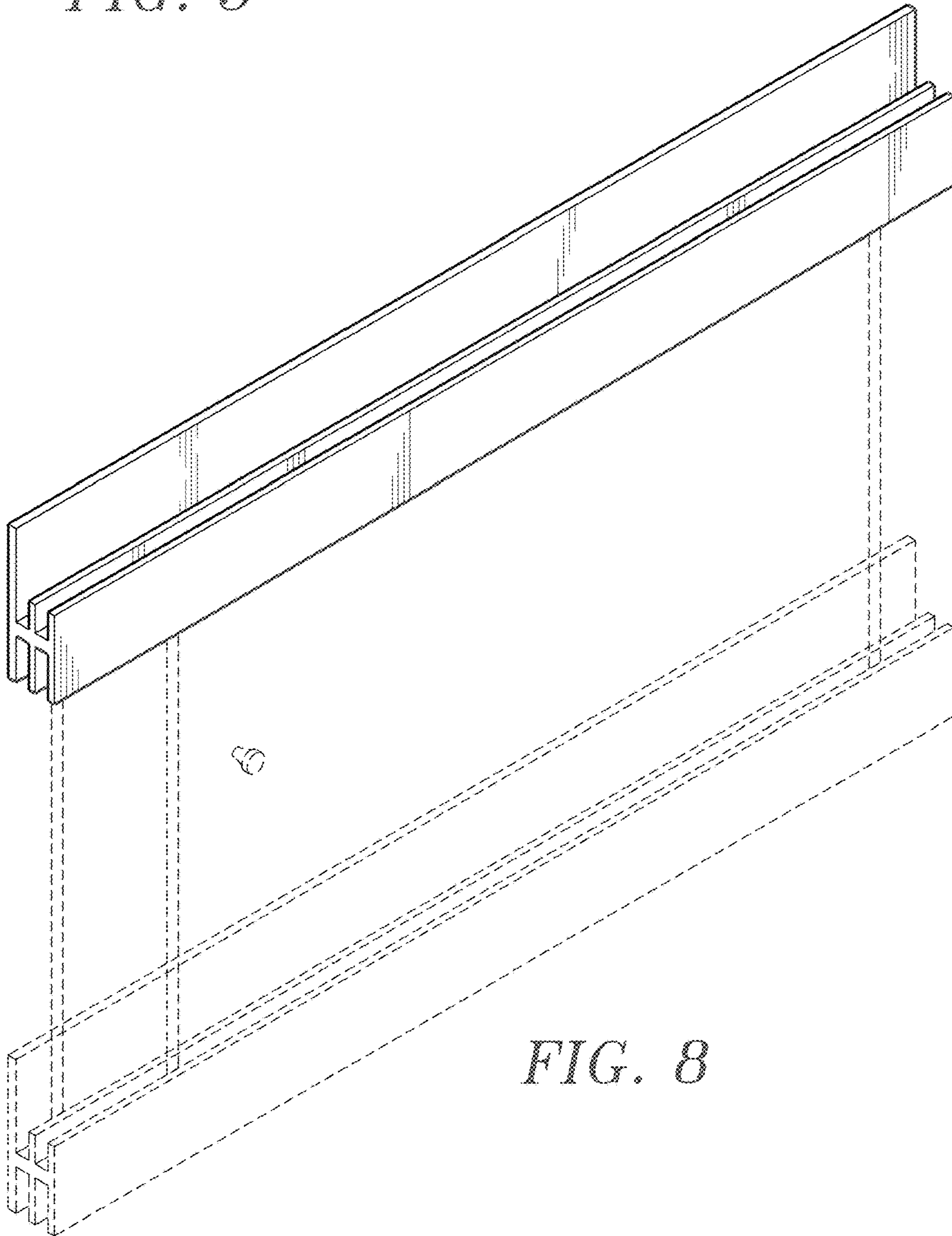


FIG. 8

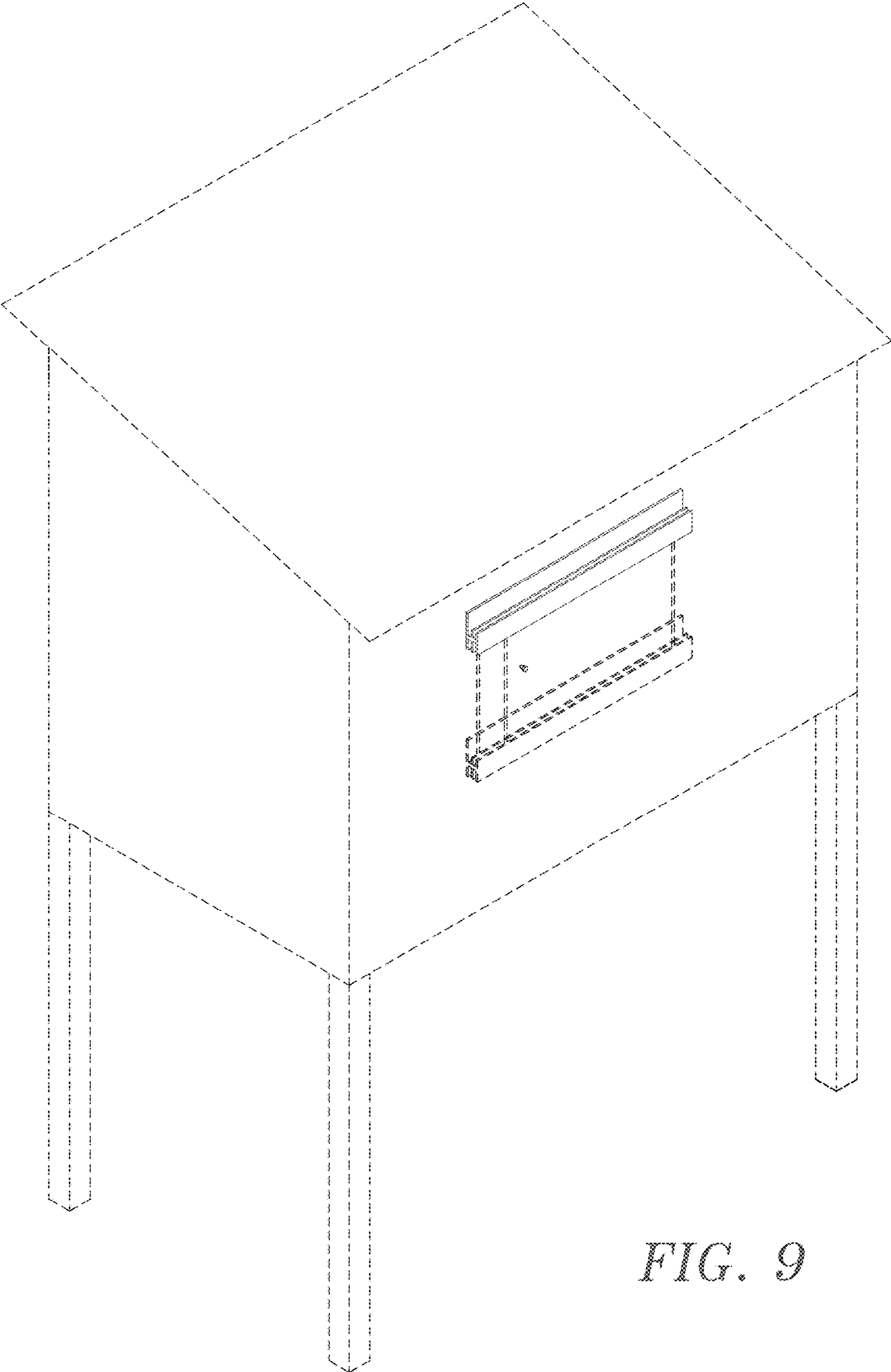


FIG. 9

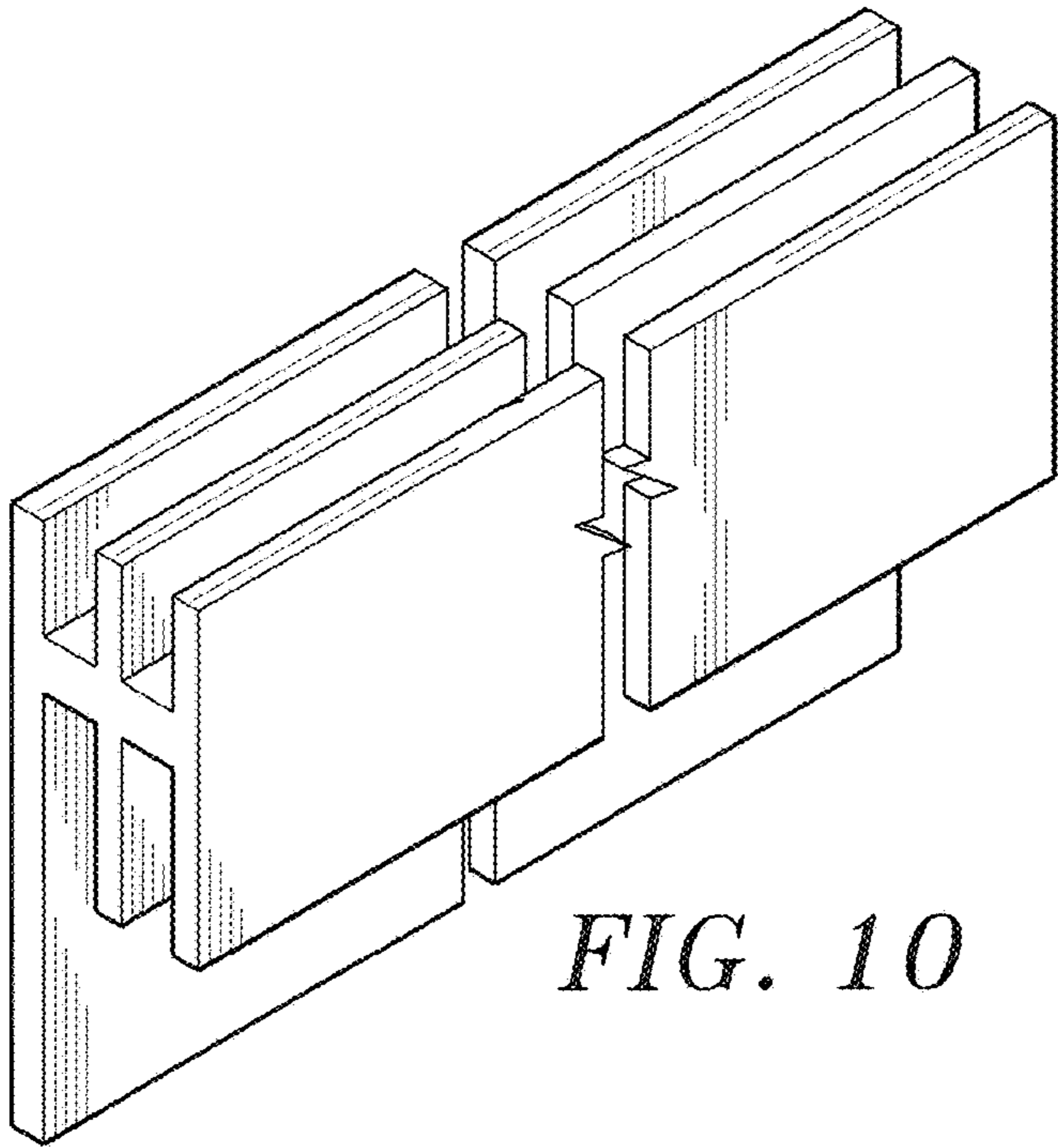


FIG. 10

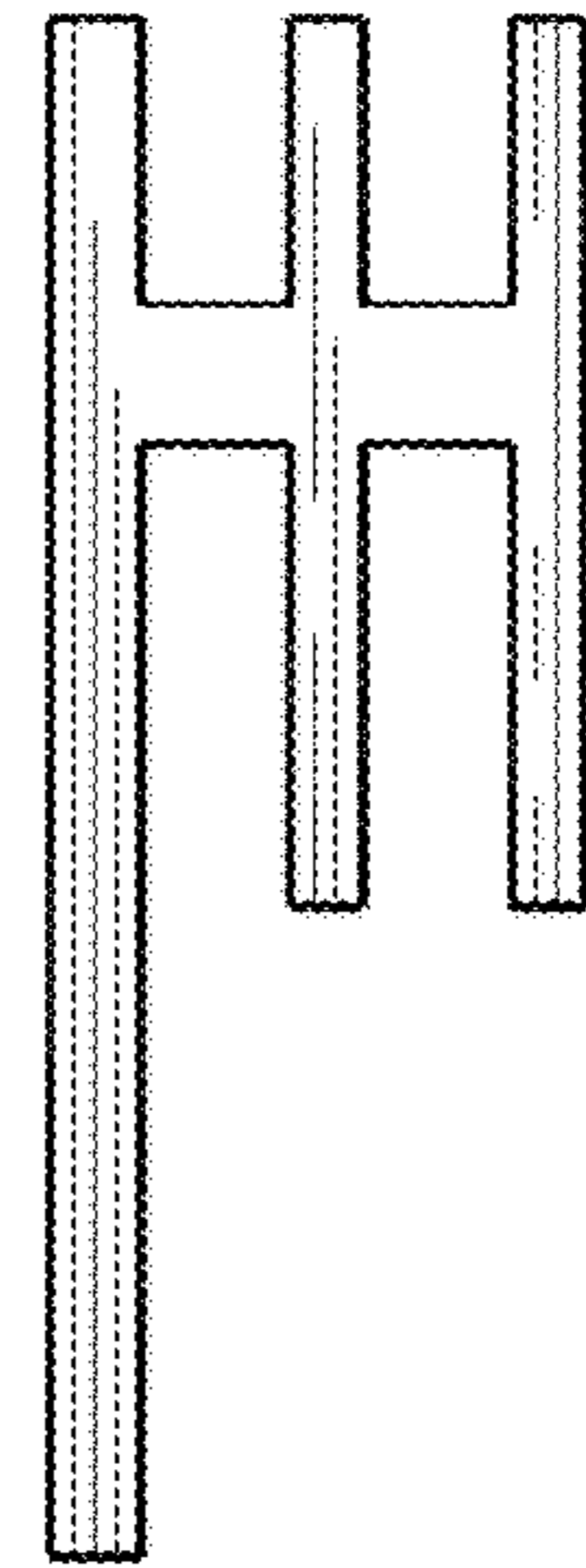


FIG. 11

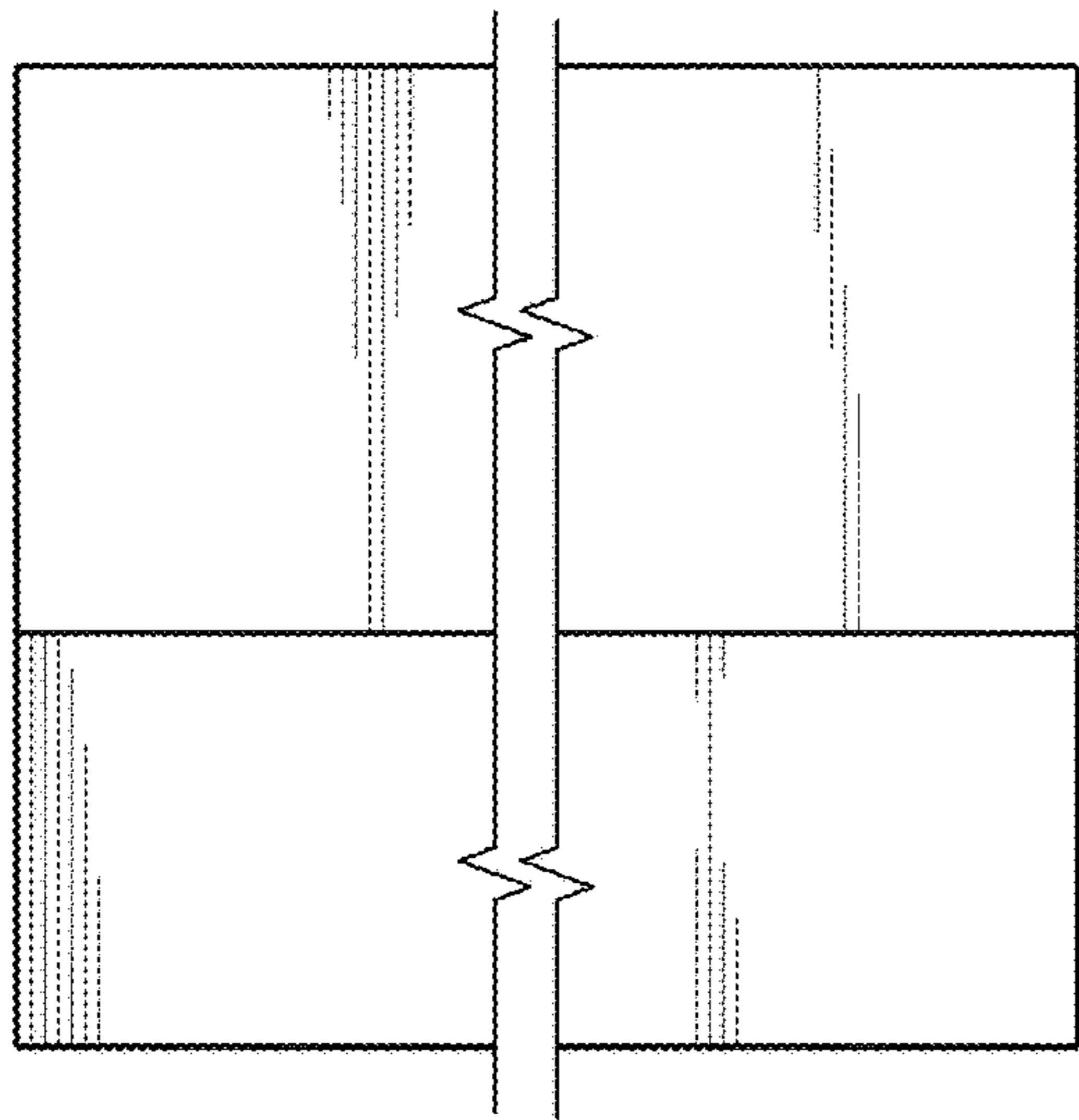


FIG. 12

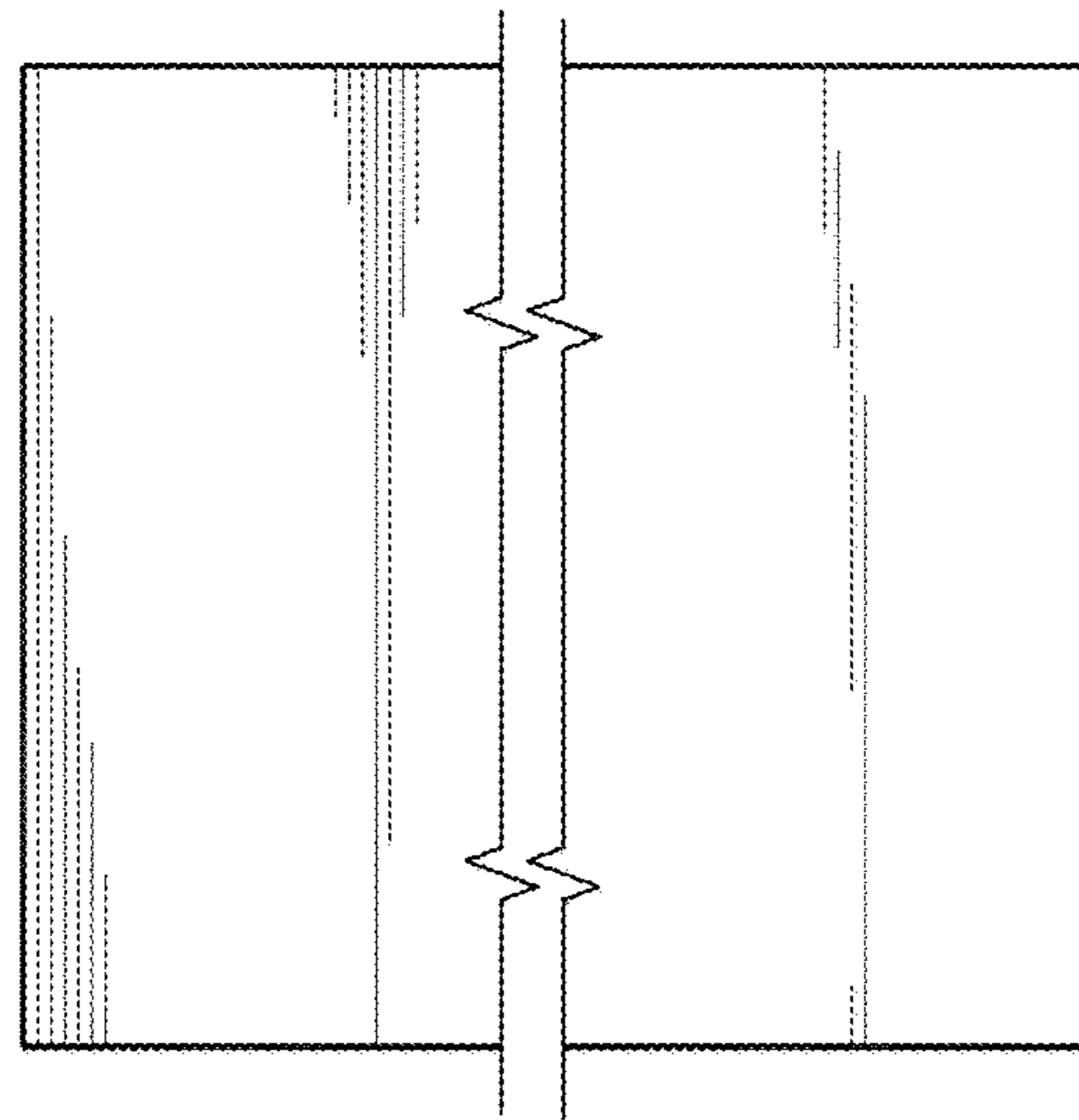


FIG. 13

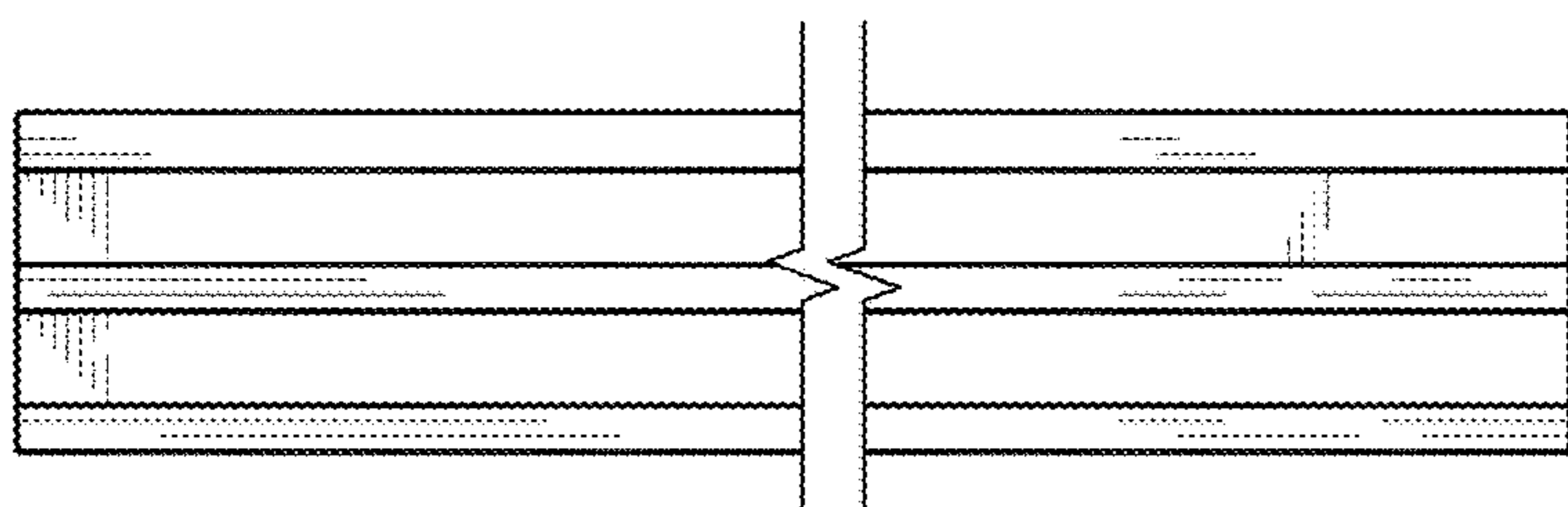


FIG. 14