



US00D857921S

(12) **United States Design Patent** (10) **Patent No.:** **US D857,921 S**
Gallardo Flores (45) **Date of Patent:** **** Aug. 27, 2019**

(54) **ROOFING FOR EXTERIOR**
(71) Applicant: **Jose Ivan Gallardo Flores**, Leon (MX)
(72) Inventor: **Jose Ivan Gallardo Flores**, Leon (MX)
(**) Term: **15 Years**
(21) Appl. No.: **29/614,776**
(22) Filed: **Aug. 23, 2017**
(51) **LOC (12) Cl.** **25-02**
(52) **U.S. Cl.**
USPC **D25/56**
(58) **Field of Classification Search**
USPC D3/5; D25/16, 32, 56, 57
CPC A45B 11/00
See application file for complete search history.

D343,689 S * 1/1994 Green 135/16
D396,018 S * 7/1998 Stover D11/118
D454,209 S * 3/2002 Mantooth D25/56
D788,324 S * 5/2017 Kowalski D25/56

OTHER PUBLICATIONS

<http://www.airehartinc.com/blog/2016/1/24/redwood-metal> Jan. 2016
(Year: 2016).*

* cited by examiner

Primary Examiner — Leanne Was-Englehart
(74) *Attorney, Agent, or Firm* — Porzio Bromberg & Newman P.C.

(57) **CLAIM**

I claim, the ornamental design for a roofing for exterior, as shown and described.

DESCRIPTION

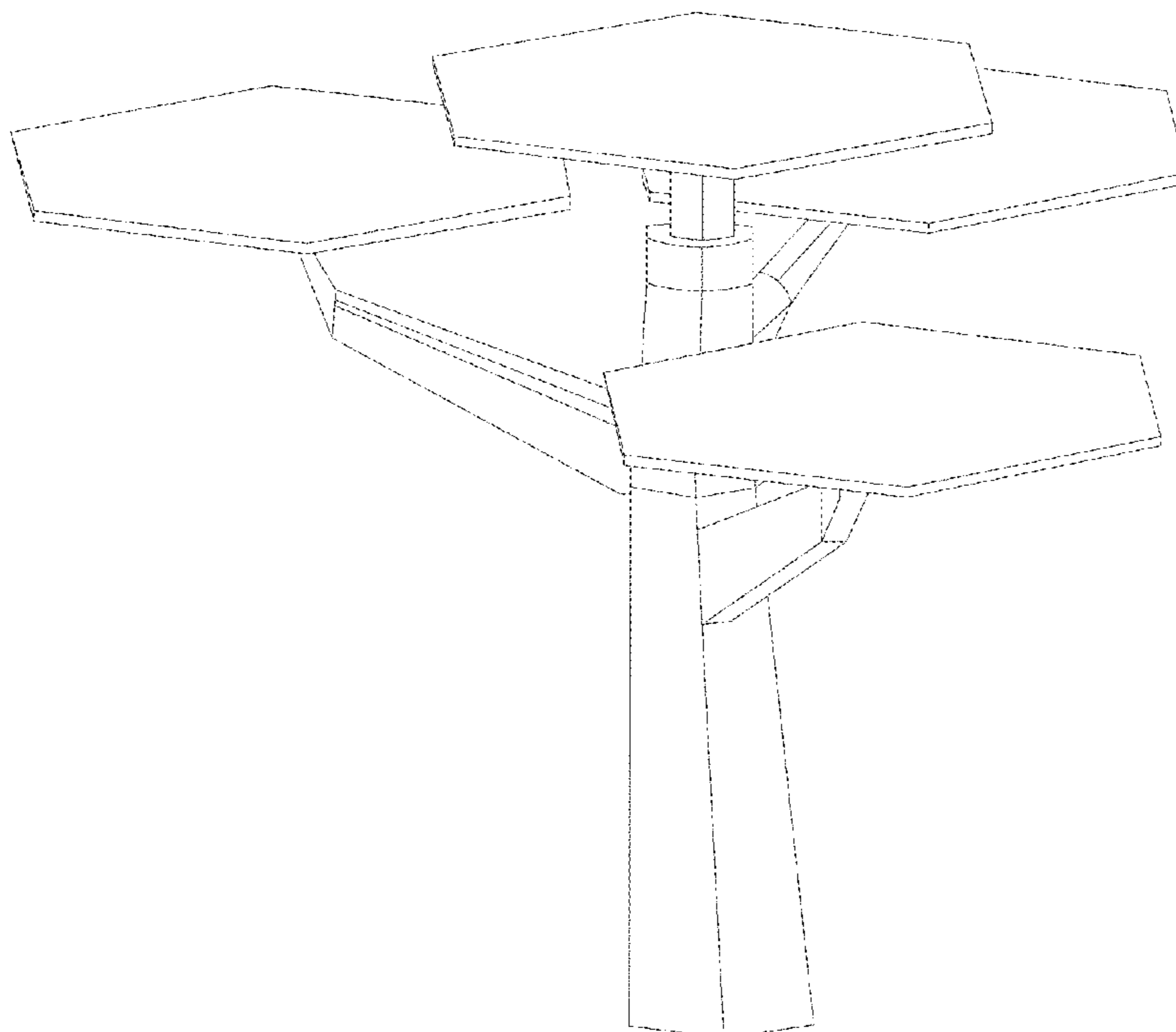
FIG. 1. is a front view of my new design;
FIG. 2. is a back view thereof;
FIG. 3. is a right side view thereof;
FIG. 4. is a left side view thereof;
FIG. 5. is a top view thereof; and,
FIG. 6. is a top perspective view thereof.
The portion shown in broken lines form no part of the claim design.

1 Claim, 6 Drawing Sheets

(56) **References Cited**

U.S. PATENT DOCUMENTS

D193,235 S * 7/1962 McNew D25/56
D206,863 S * 2/1967 Noyes D25/31
D214,226 S * 5/1969 Sewell D25/56
D217,288 S * 4/1970 Noyes D15/9.2
D223,440 S * 4/1972 Noyes D25/31
D255,958 S * 7/1980 Browning D25/56



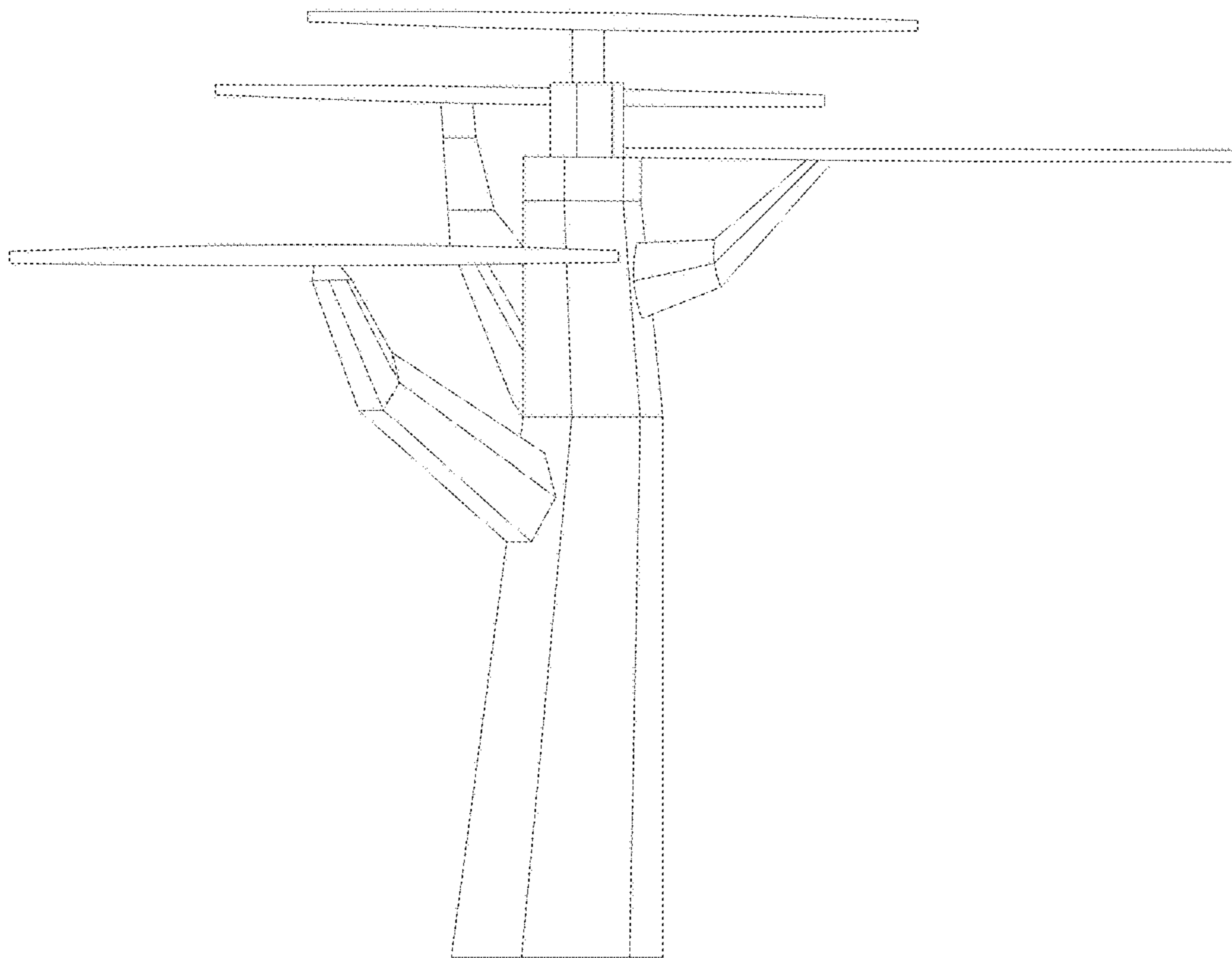


Fig. 1

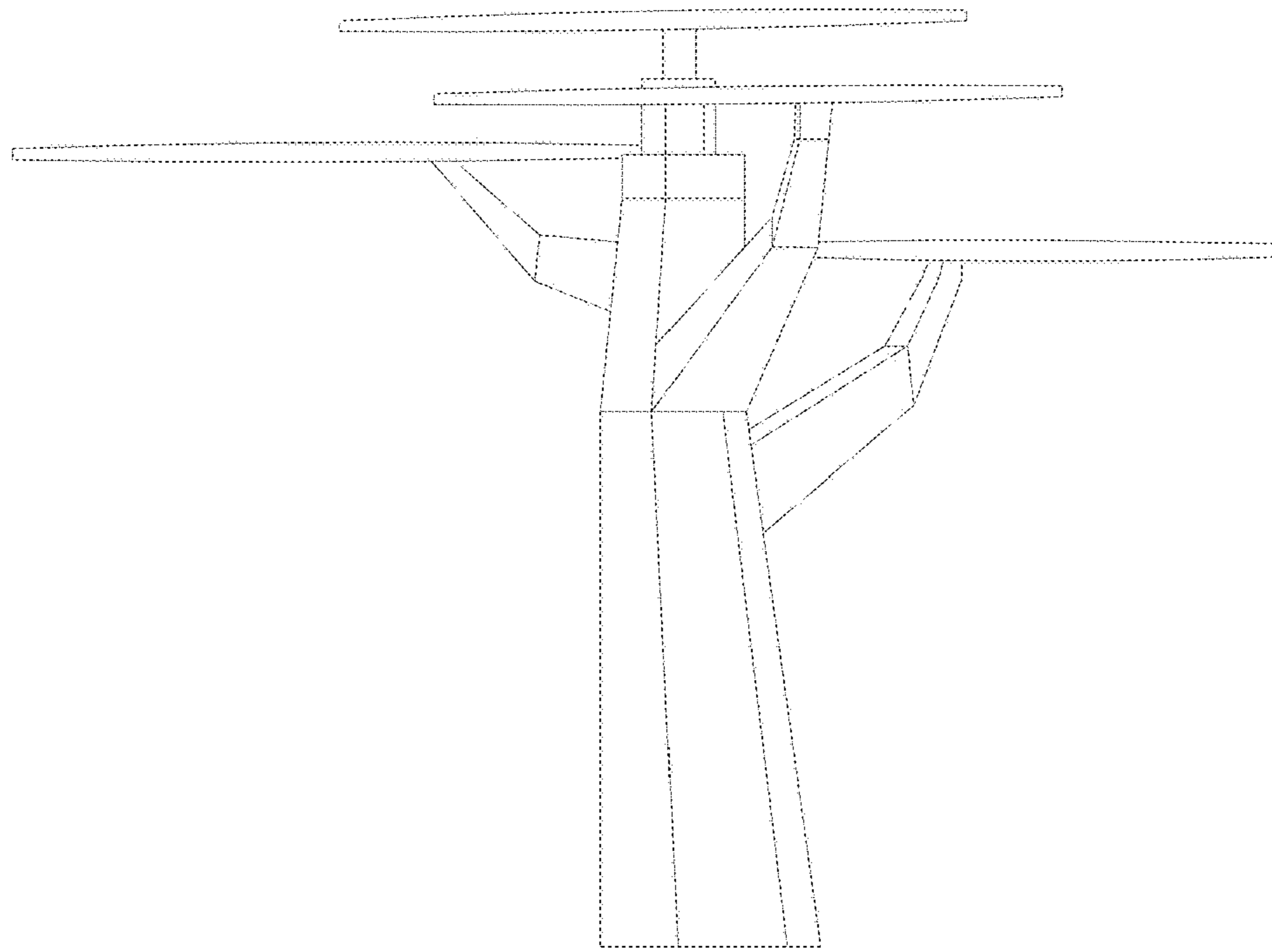


Fig. 2

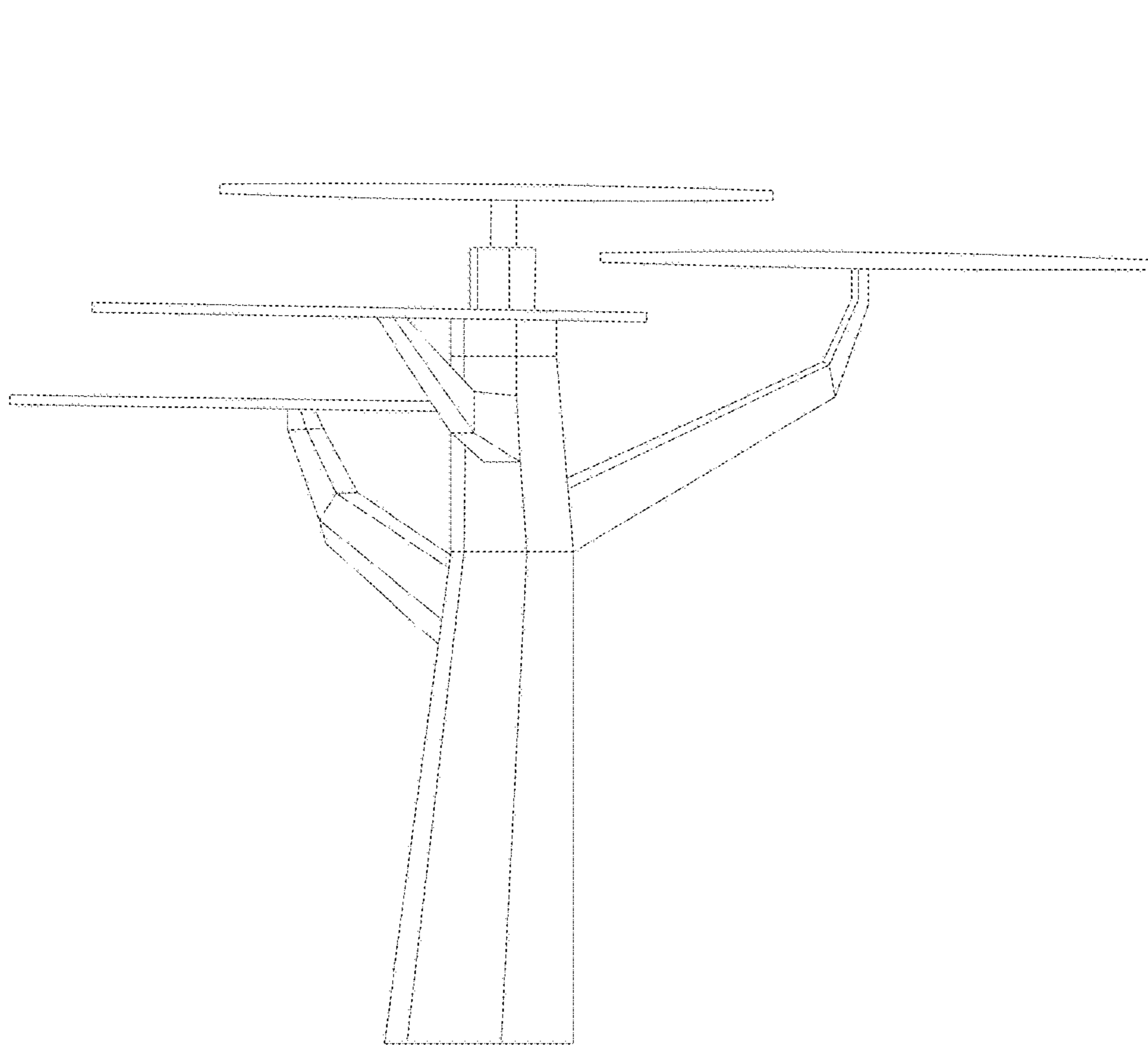


Fig. 3

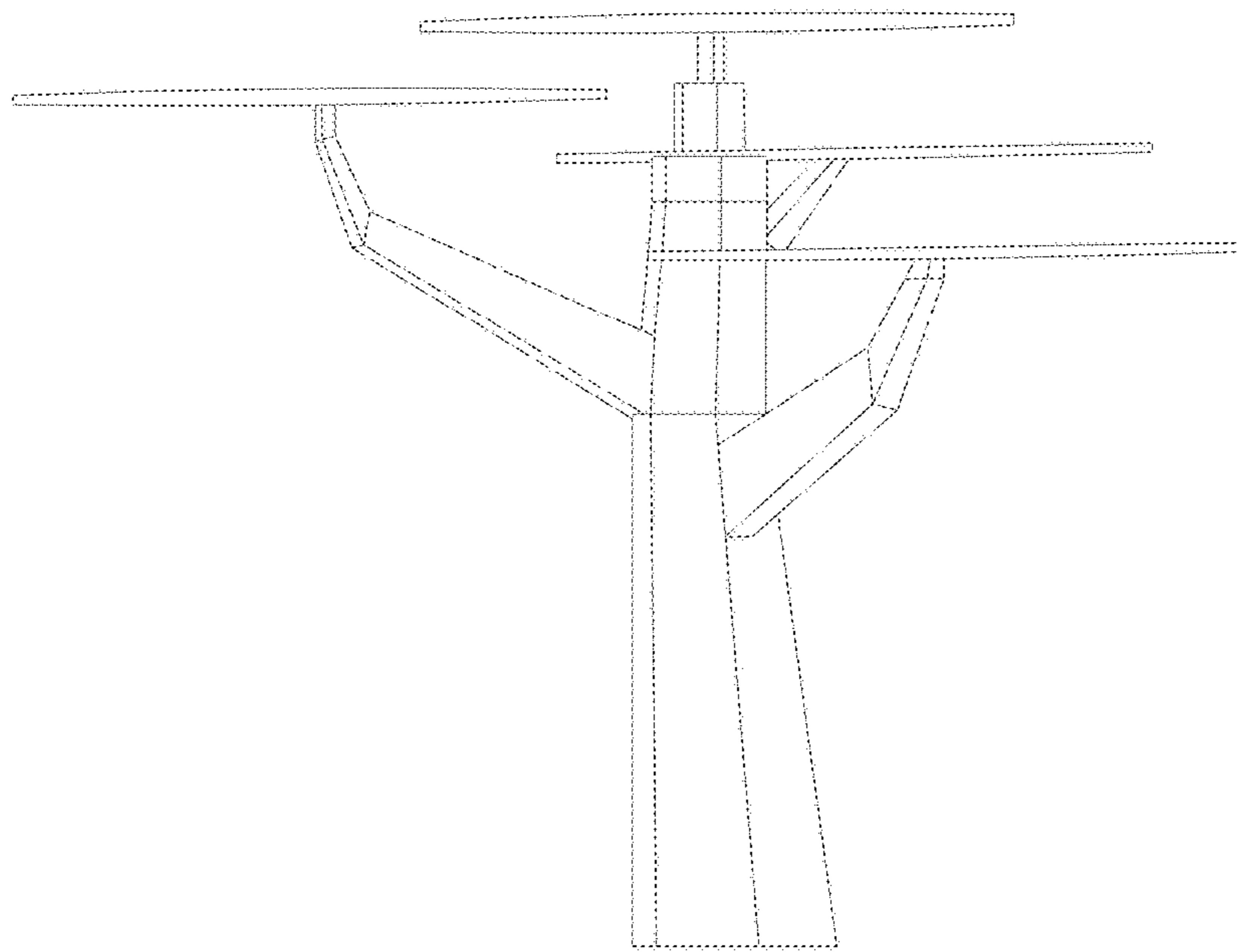


Fig. 4

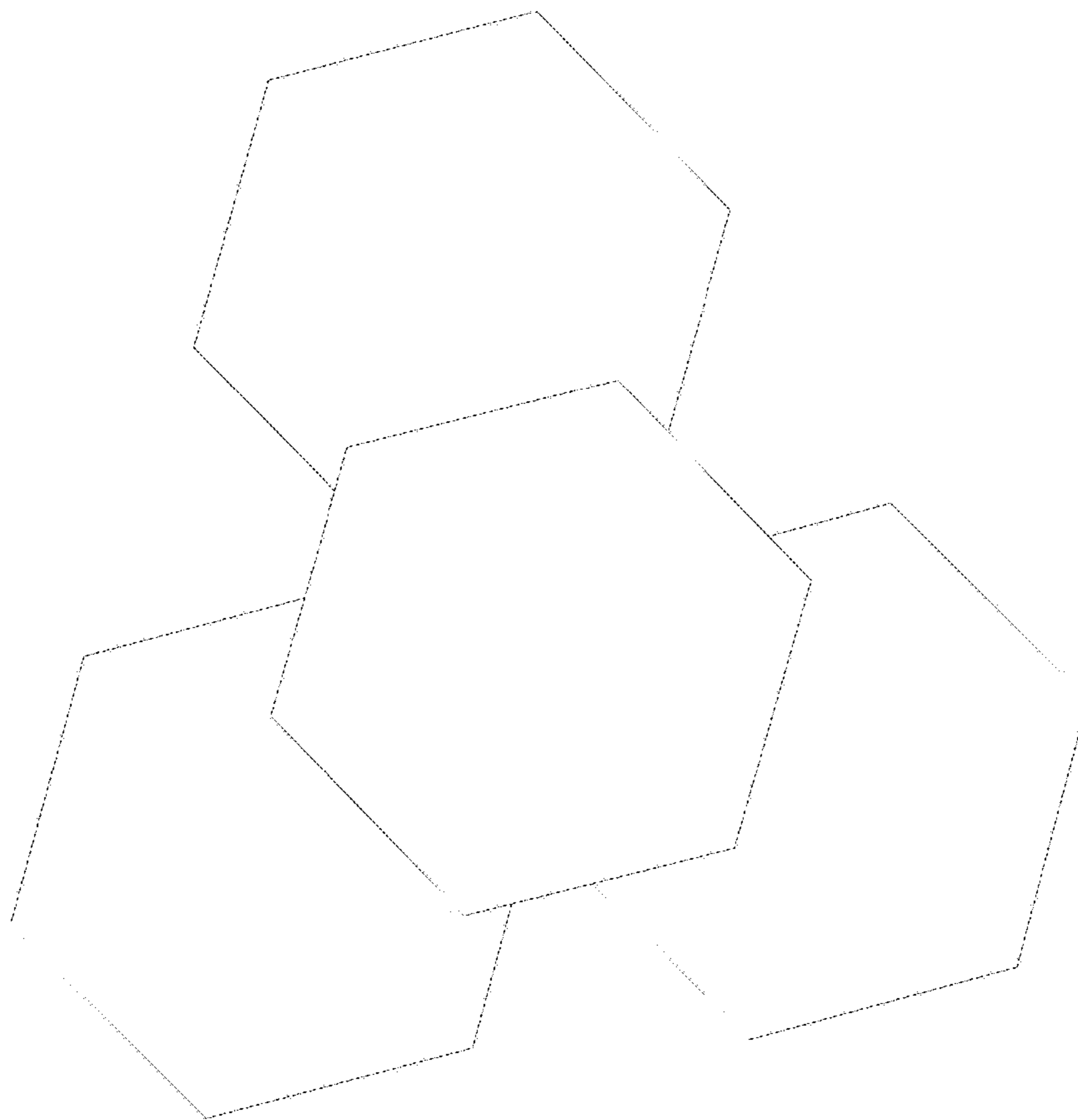


Fig. 5

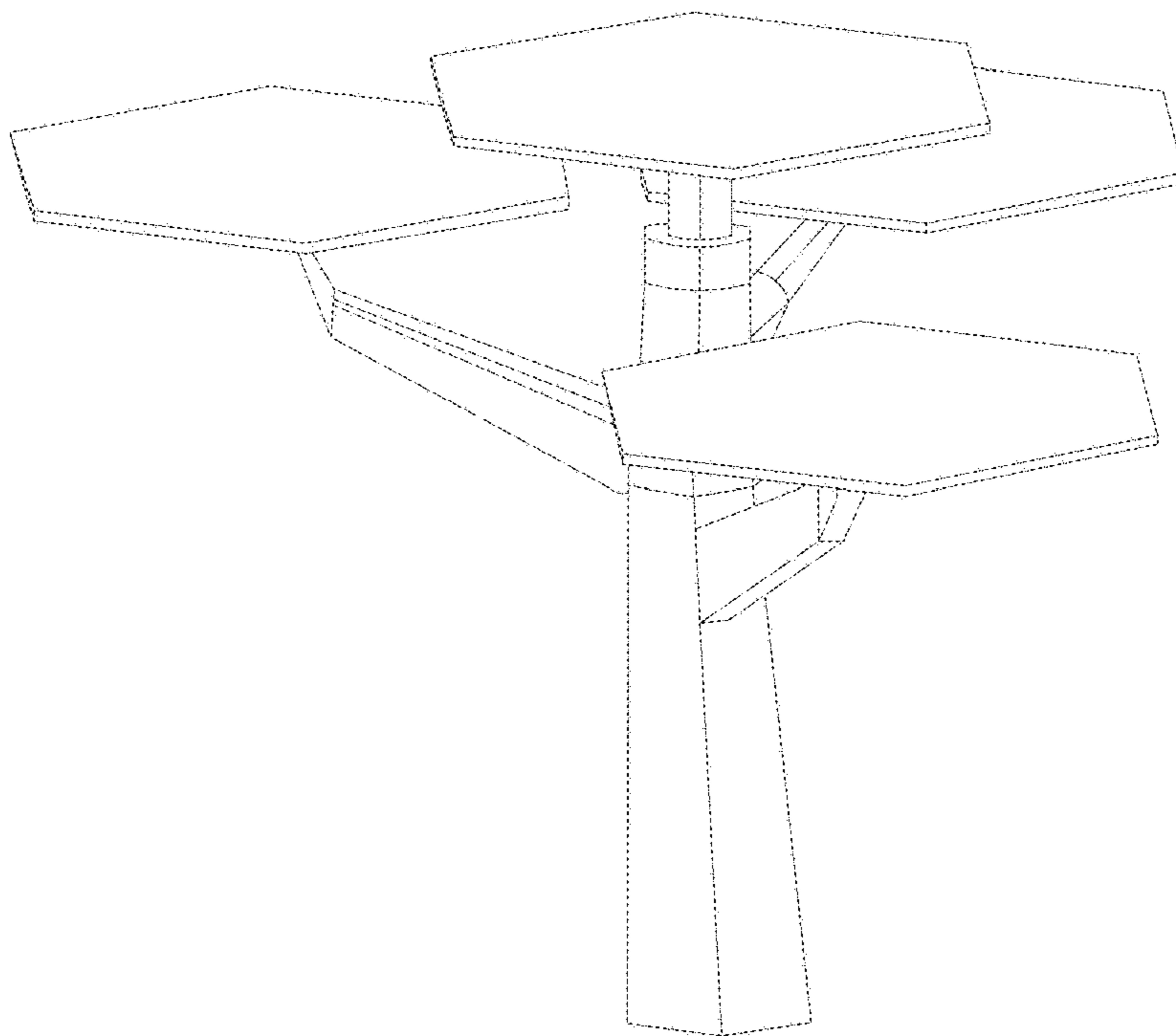


Fig. 6