



US00D857917S

(12) **United States Design Patent** (10) **Patent No.:** **US D857,917 S**  
**Mead et al.** (45) **Date of Patent:** **\*\* Aug. 27, 2019**

(54) **WESTERN BLOT PROCESSING DEVICE HOUSING**

(71) Applicant: **LIFE TECHNOLOGIES CORPORATION**, Carlsbad, CA (US)

(72) Inventors: **Joshua Mead**, San Diego, CA (US); **Sandro Klein**, Irvine, CA (US); **Xin Mathers**, Poway, CA (US); **Kyle Bulloch**, San Diego, CA (US)

(73) Assignee: **LIFE TECHNOLOGIES CORPORATION**, Carlsbad, CA (US)

(\*\*) Term: **15 Years**

(21) Appl. No.: **29/594,454**

(22) Filed: **Feb. 17, 2017**

**Related U.S. Application Data**

(62) Division of application No. 29/526,967, filed on May 14, 2015, now Pat. No. Des. 783,178.

(51) **LOC (12) Cl.** ..... **24-01**

(52) **U.S. Cl.**  
USPC ..... **D24/233; D24/216**

(58) **Field of Classification Search**  
USPC ..... D24/216-219, 231, 232, 233, 107, 169,  
D24/186; D10/81

(Continued)

(56) **References Cited**

**U.S. PATENT DOCUMENTS**

6,194,160 B1 \* 2/2001 Levin ..... G01N 33/54366  
422/527

D681,234 S \* 4/2013 Benarieh ..... D24/233  
(Continued)

*Primary Examiner* — Anhdao Doan

(57) **CLAIM**

The ornamental design for a western blot processing device housing, as shown and described.

**DESCRIPTION**

FIG. 1 is an open back lid perspective view of a first embodiment of our new western blot processing device housing.

FIG. 2 is a front view of FIG. 1 of our new western blot processing device housing.

FIG. 3 is a rear view of FIG. 1 of our new western blot processing device housing.

FIG. 4 is a right side view of FIG. 1 of our new western blot processing device housing.

FIG. 5 is a left side view of FIG. 1 of our new western blot processing device housing.

FIG. 6 is a top view of FIG. 1 of our new western blot processing device housing.

FIG. 7 is a bottom view of FIG. 1 of our new western blot processing device housing.

FIG. 8 is an open back lid perspective view of a second embodiment of our new western blot processing device housing.

FIG. 9 is a front view of FIG. 8 of our new western blot processing device housing.

FIG. 10 is a rear view of FIG. 8 of our new western blot processing device housing.

FIG. 11 is a right side view of FIG. 8 of our new western blot processing device housing.

FIG. 12 is a left side view of FIG. 8 of our new western blot processing device housing.

FIG. 13 is a top view of FIG. 8 of our new western blot processing device housing.

FIG. 14 is a bottom view of FIG. 8 of our new western blot processing device housing.

FIG. 15 is an open lid perspective view of a first embodiment of our new western blot processing device housing.

FIG. 16 is a front view of FIG. 15 of our new western blot processing device housing.

FIG. 17 is a rear view of FIG. 15 of our new western blot processing device housing.

FIG. 18 is a right side view of FIG. 15 of our new western blot processing device housing.

FIG. 19 is a left side view of FIG. 15 of our new western blot processing device housing.

FIG. 20 is a top view of FIG. 15 of our new western blot processing device housing.

FIG. 21 is a bottom view of FIG. 15 of our new western blot processing device housing.

FIG. 22 is an open lid perspective view of a second embodiment of our new western blot processing device housing.

(Continued)

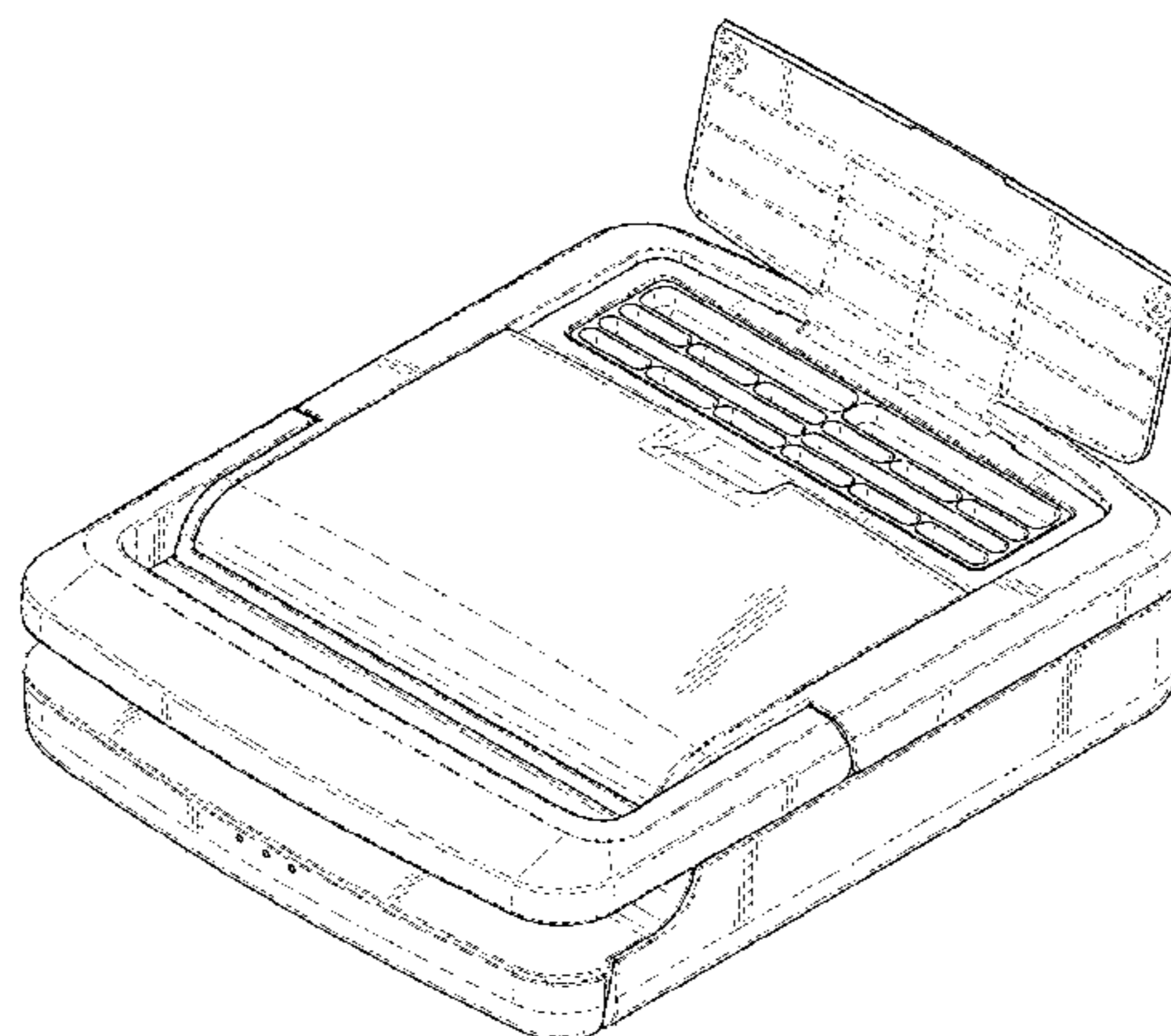


FIG. 23 is a front view of FIG. 22 of our new western blot processing device housing.  
FIG. 24 is a rear view of FIG. 22 of our new western blot processing device housing.  
FIG. 25 is a right side view of FIG. 22 of our new western blot processing device housing.  
FIG. 26 is a left side view of FIG. 22 of our new western blot processing device housing.  
FIG. 27 is a top view of FIG. 22 of our new western blot processing device housing; and,  
FIG. 28 is a bottom view of FIG. 22 of our new western blot processing device housing.  
The broken lines illustrate portions of the automated western blot processor that for part of the claimed design.

**1 Claim, 28 Drawing Sheets**

(58) **Field of Classification Search**

CPC ..... G01N 2035/00306; G01N 2035/00326;  
G01N 2035/00336; G01N 35/1085; G01N  
2021/6432; C12Q 1/6869; C12Q 1/6806  
See application file for complete search history.

(56) **References Cited**

U.S. PATENT DOCUMENTS

|          |   |   |         |            |       |         |
|----------|---|---|---------|------------|-------|---------|
| D717,968 | S | * | 11/2014 | Klein      | ..... | D24/232 |
| D730,216 | S | * | 5/2015  | McLaughlin | ..... | D24/216 |
| D731,673 | S | * | 6/2015  | Klein      | ..... | D24/232 |
| D735,883 | S | * | 8/2015  | Bauer      | ..... | D24/231 |
| D738,527 | S | * | 9/2015  | Benarieh   | ..... | D13/110 |
| D748,815 | S | * | 2/2016  | Murray     | ..... | D24/233 |
| D757,295 | S | * | 5/2016  | Benarieh   | ..... | D24/233 |

\* cited by examiner

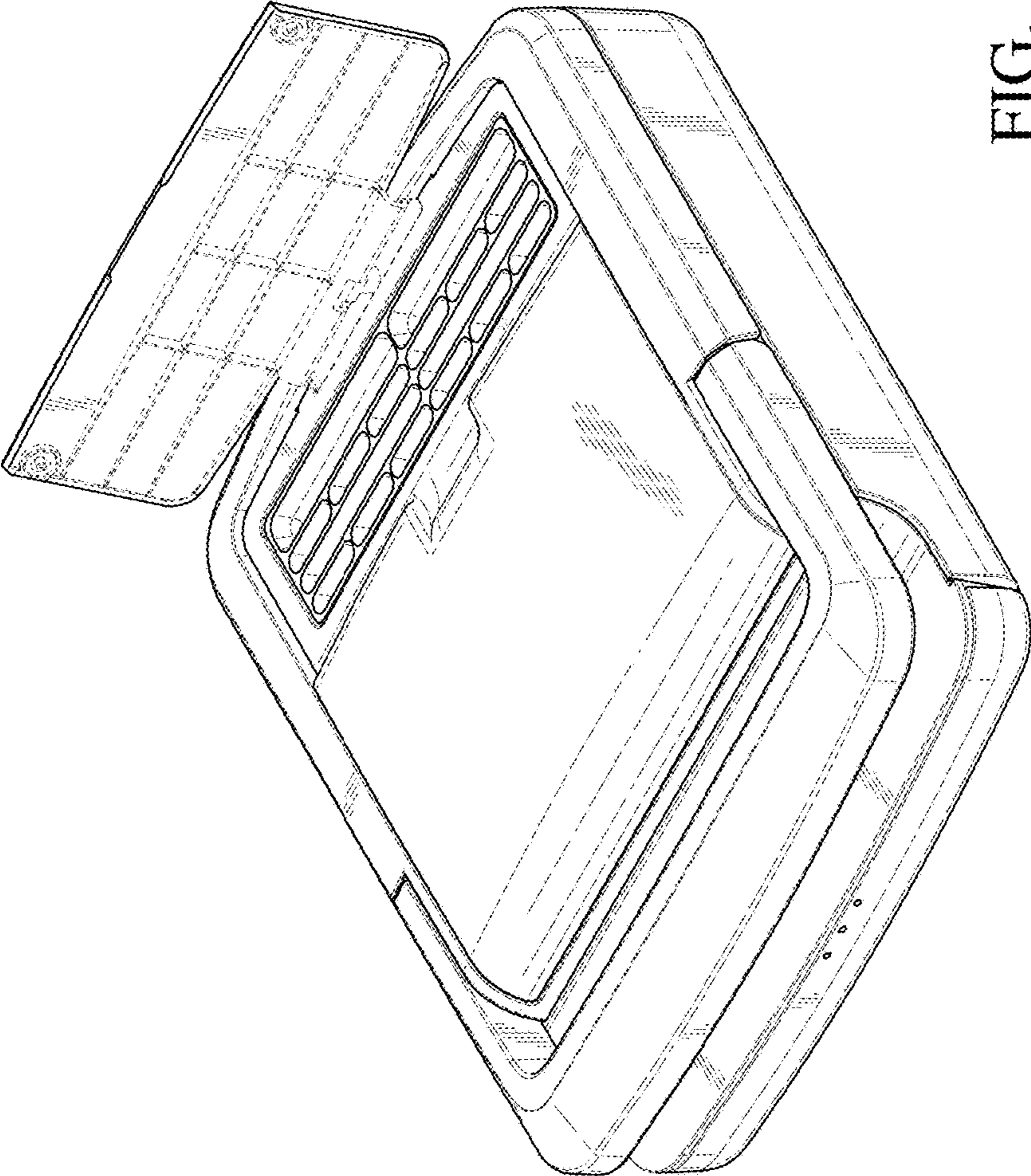


FIG. 1

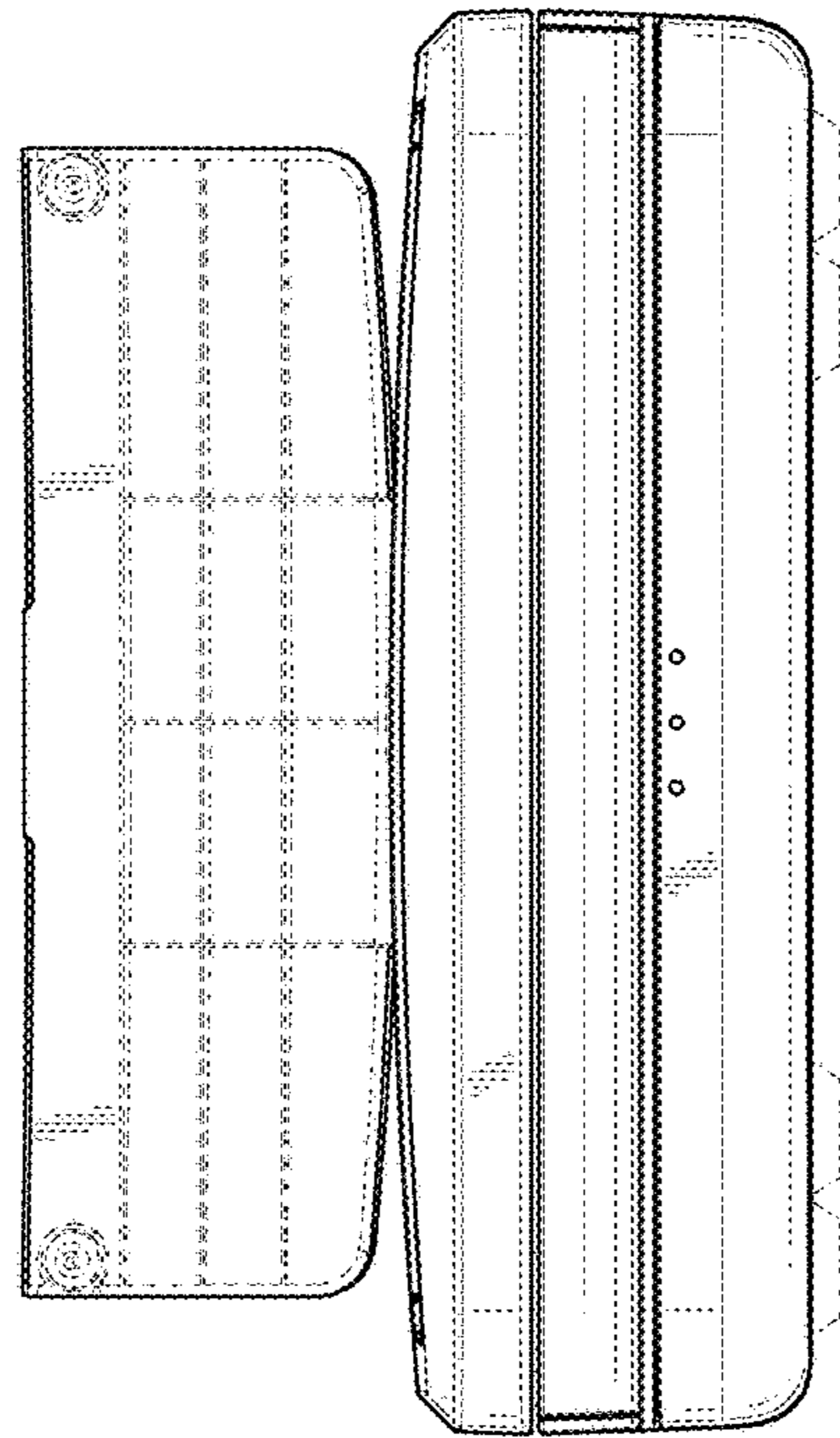


FIG. 2

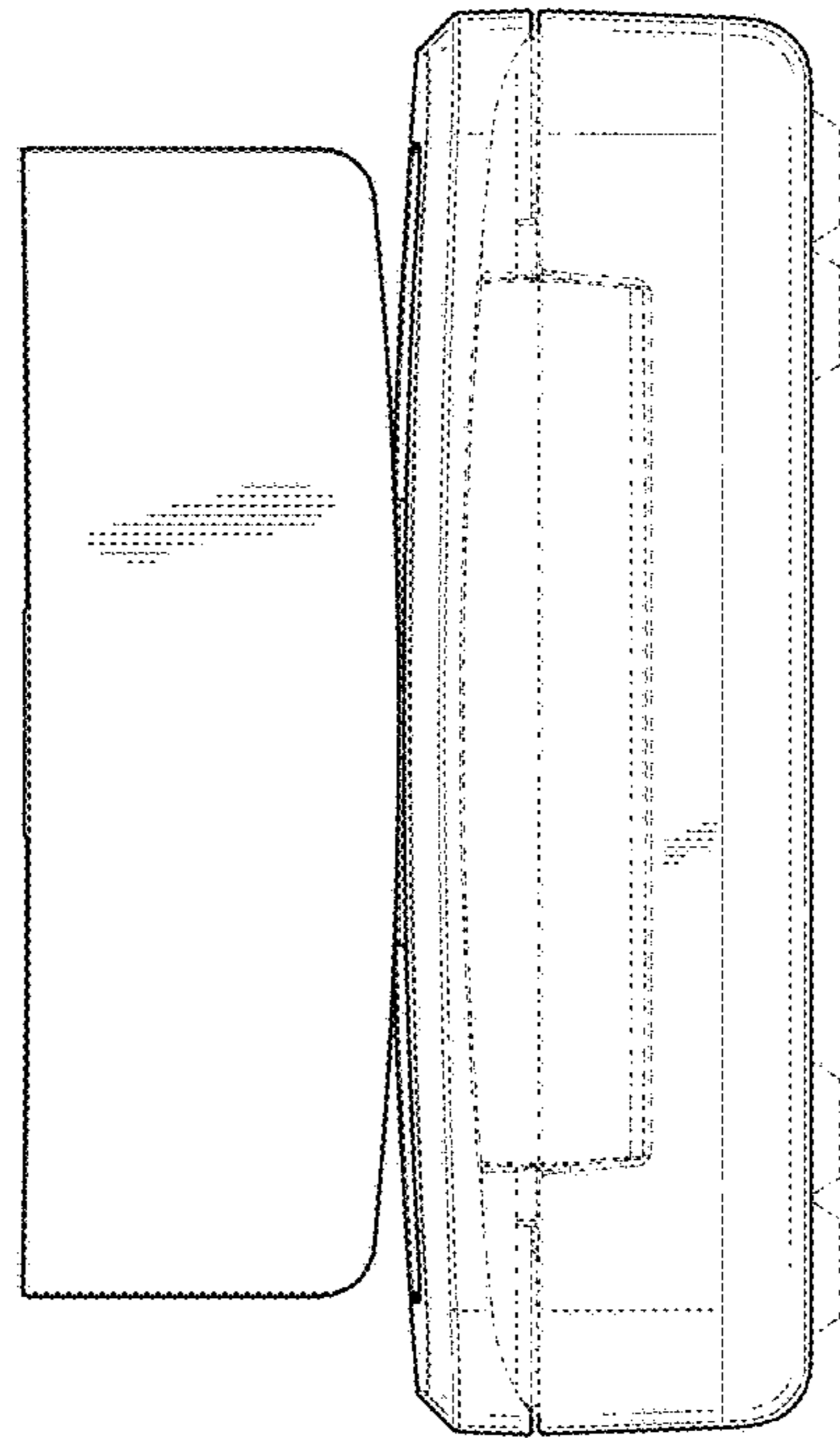


FIG. 3

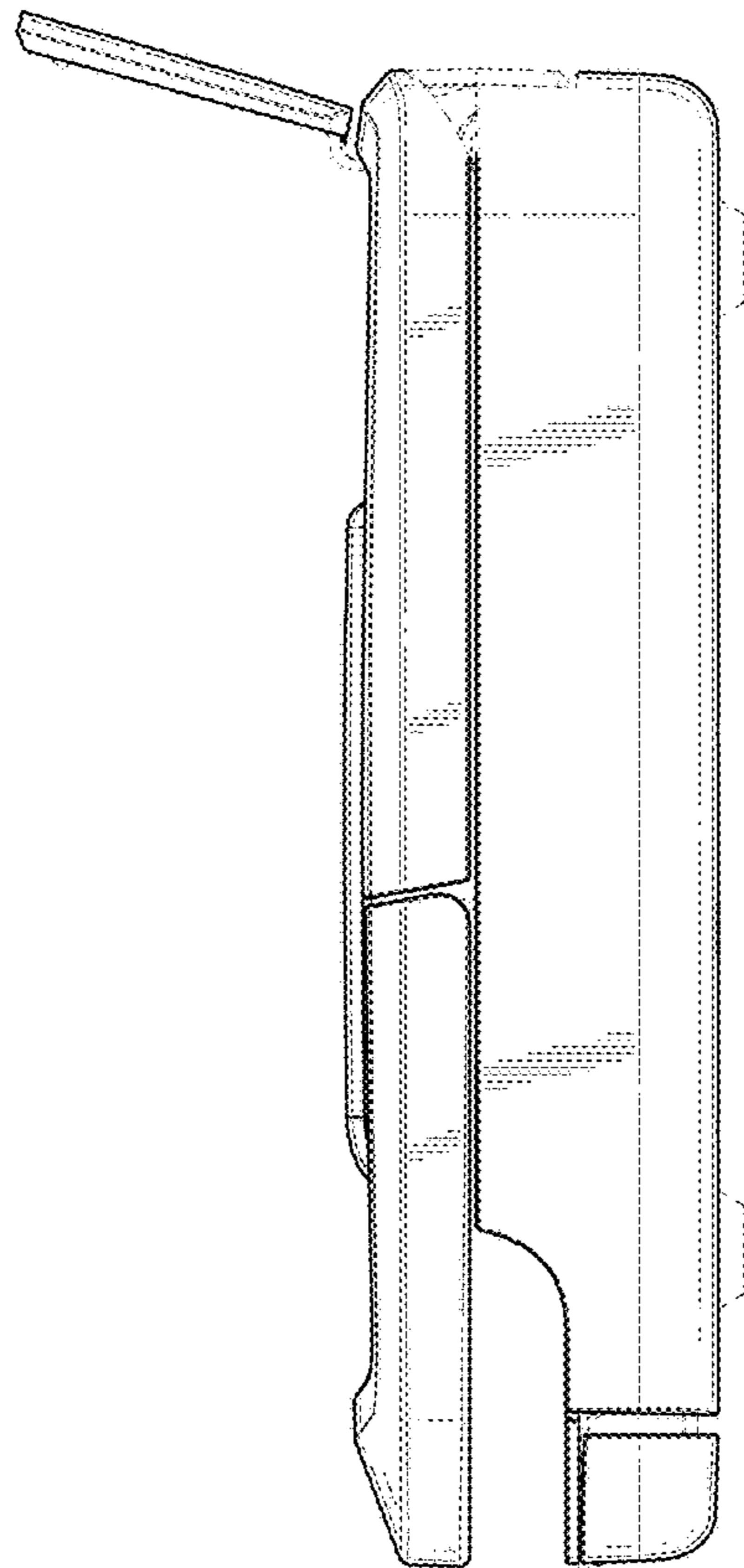


FIG. 4

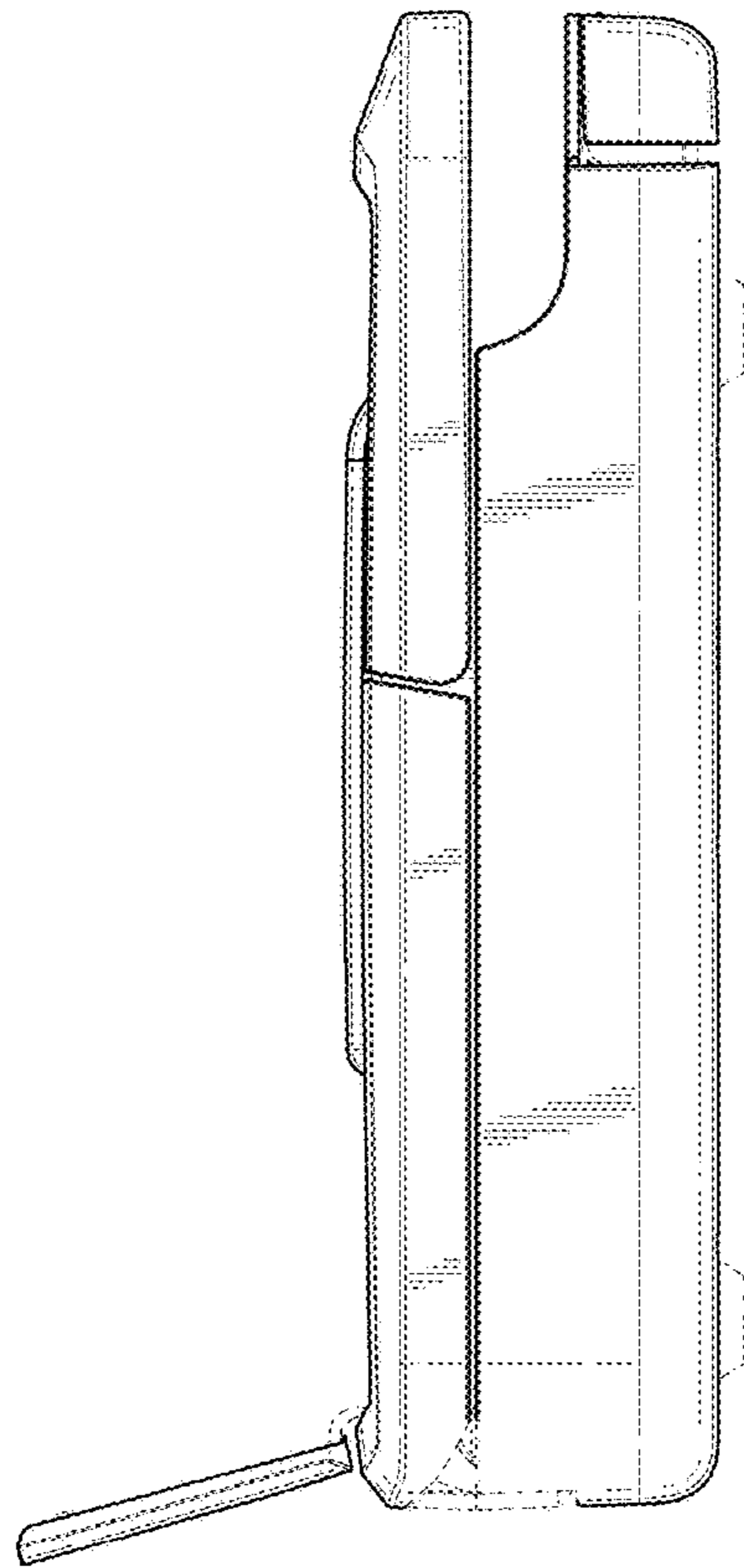


FIG. 5

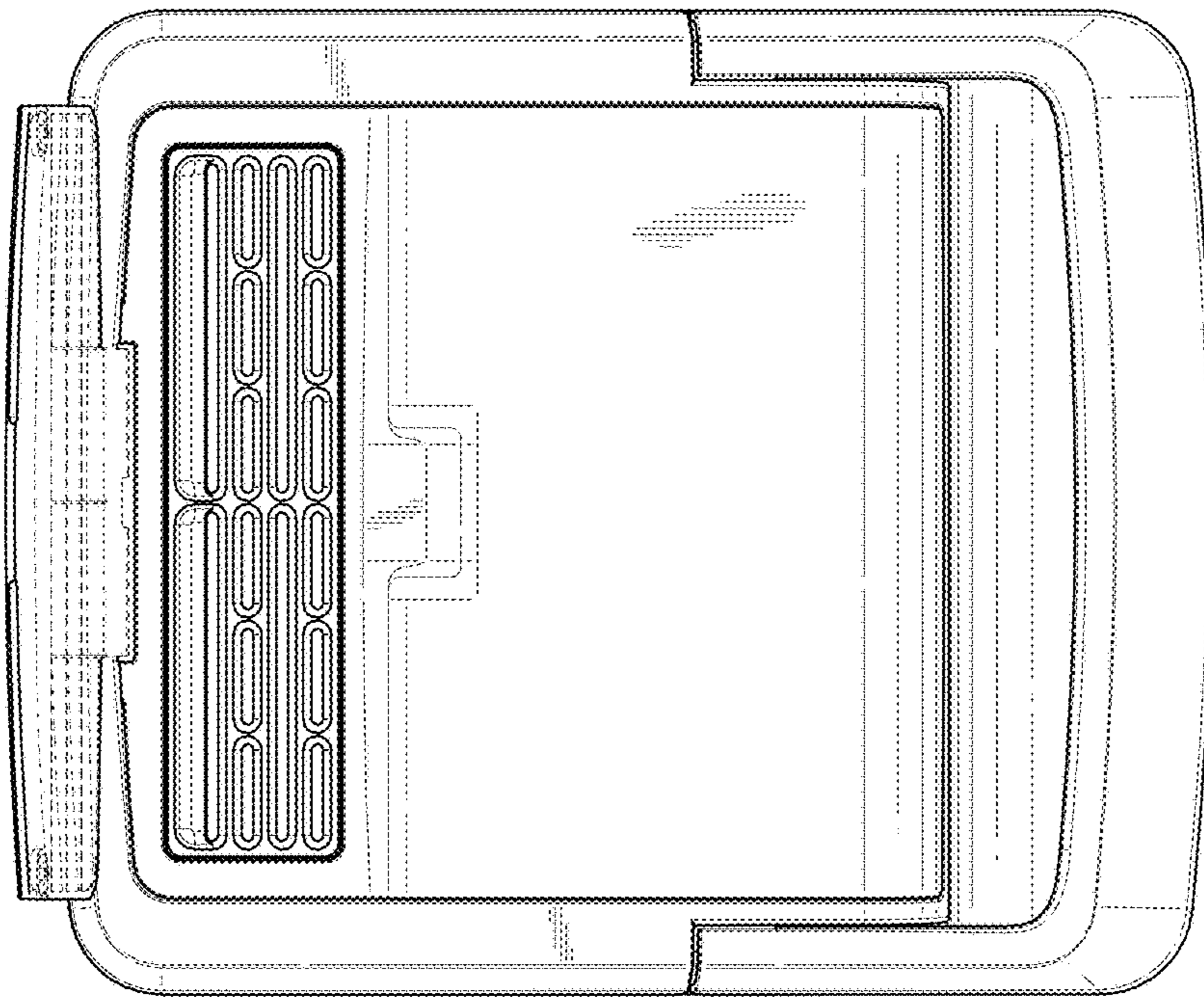


FIG. 6



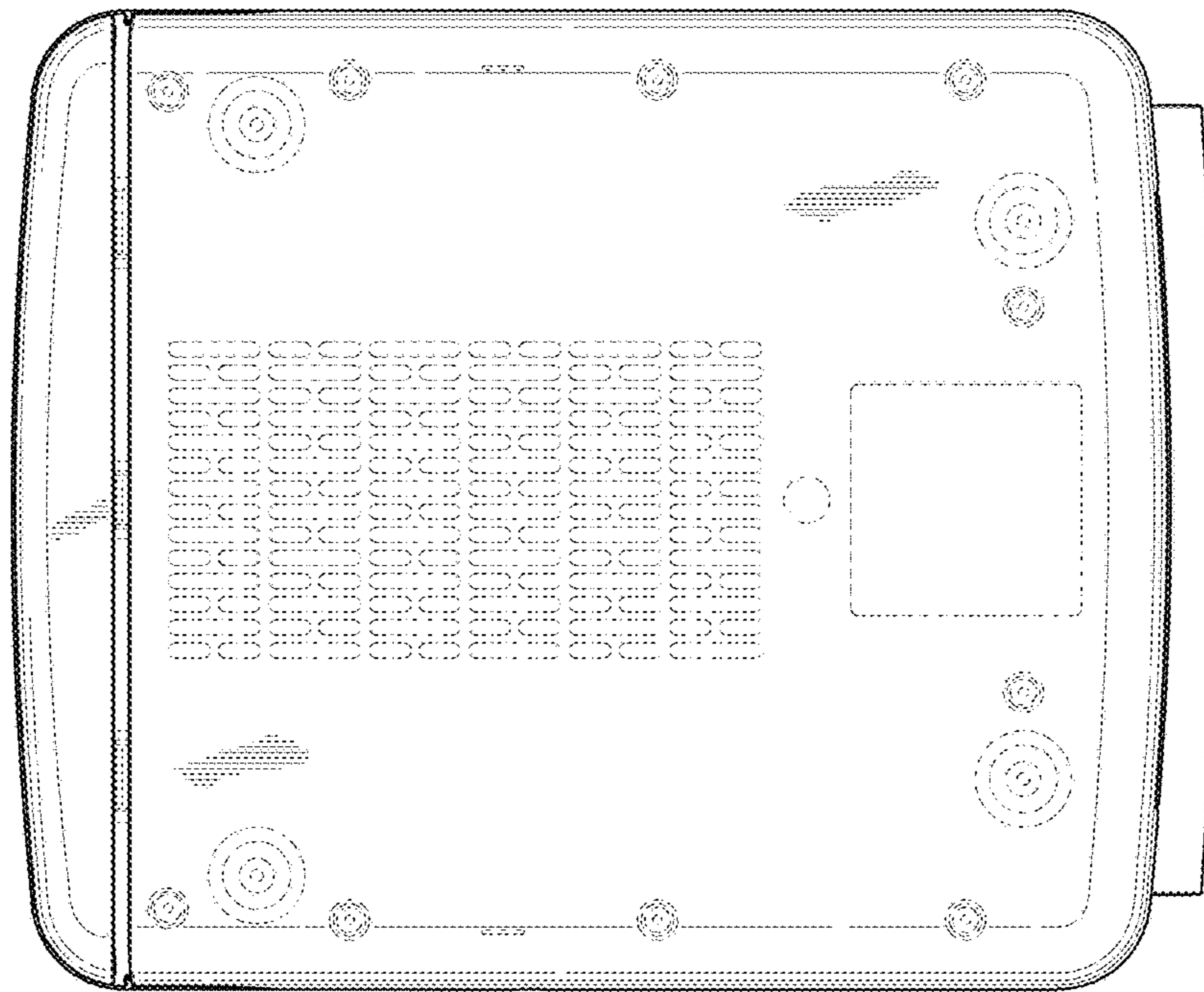


FIG. 7

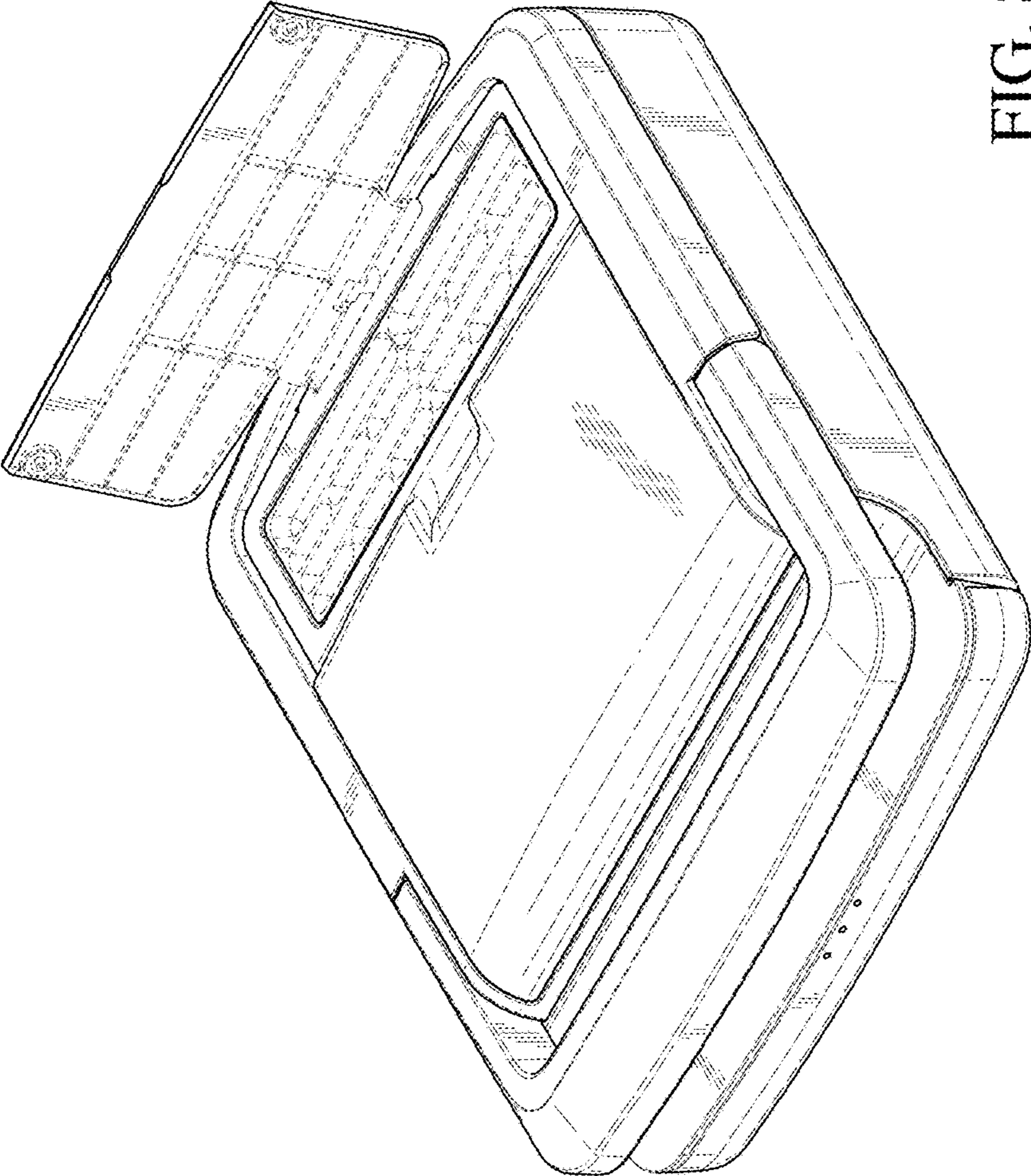


FIG. 8

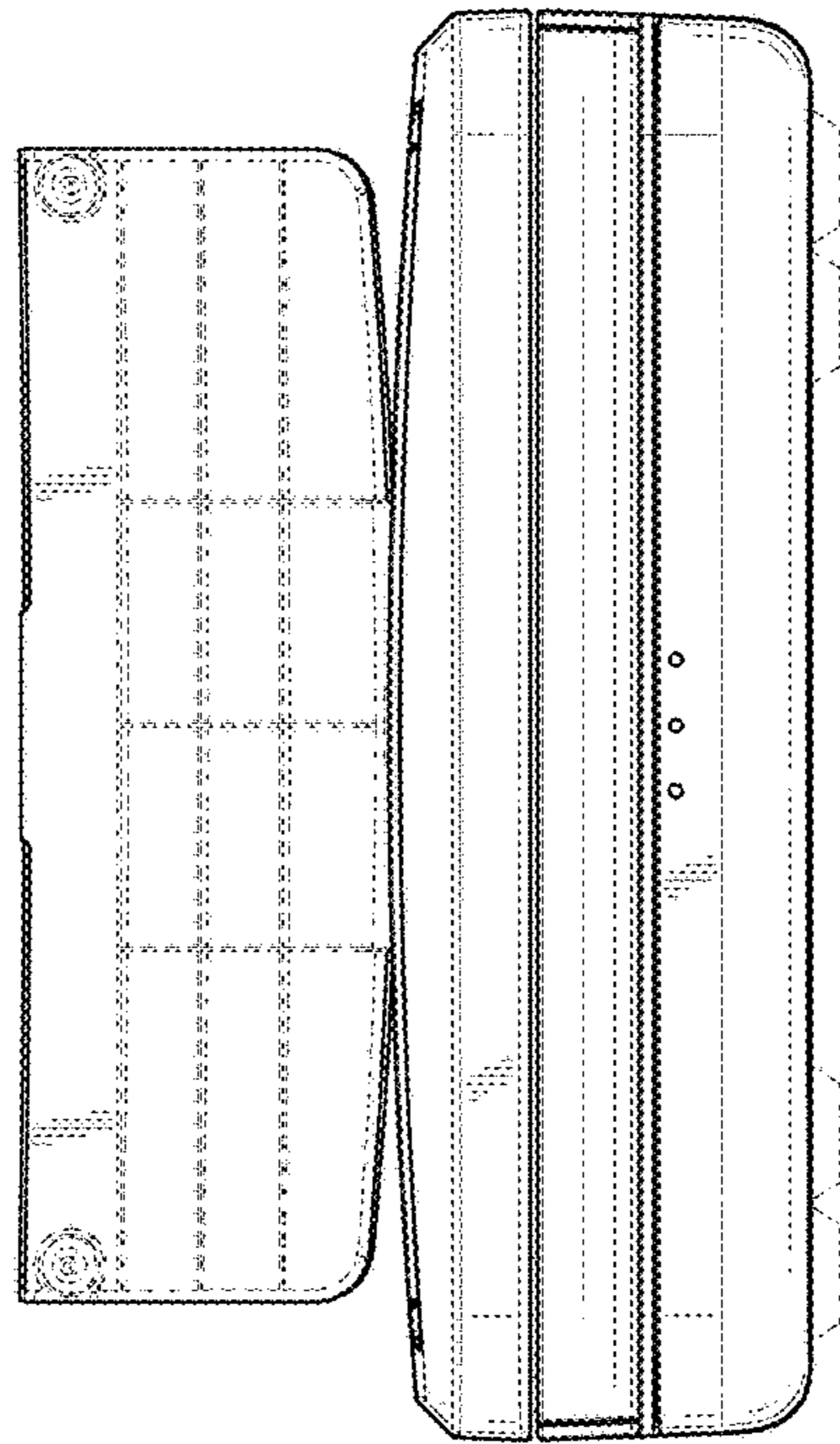


FIG. 9

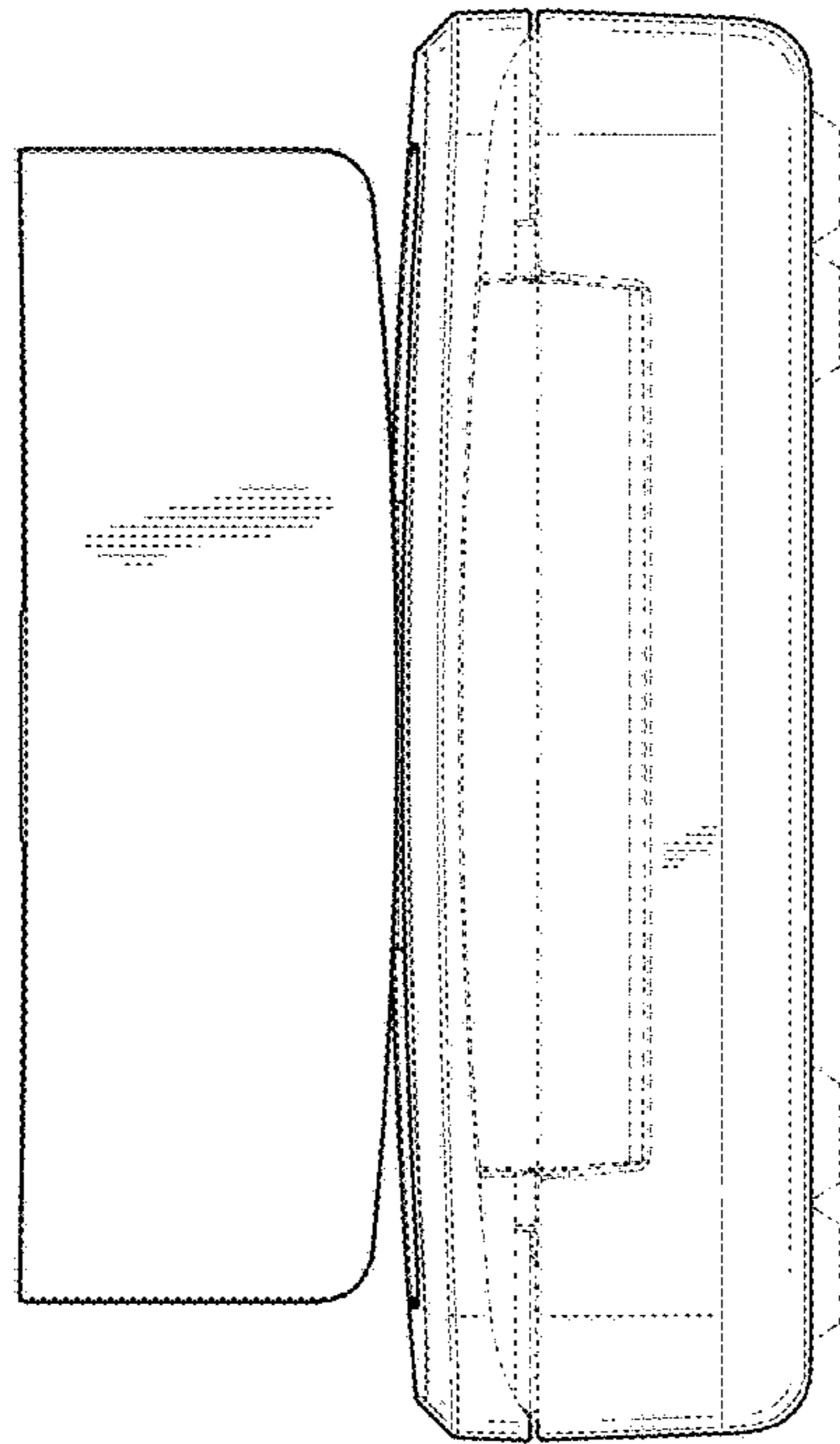


FIG. 10

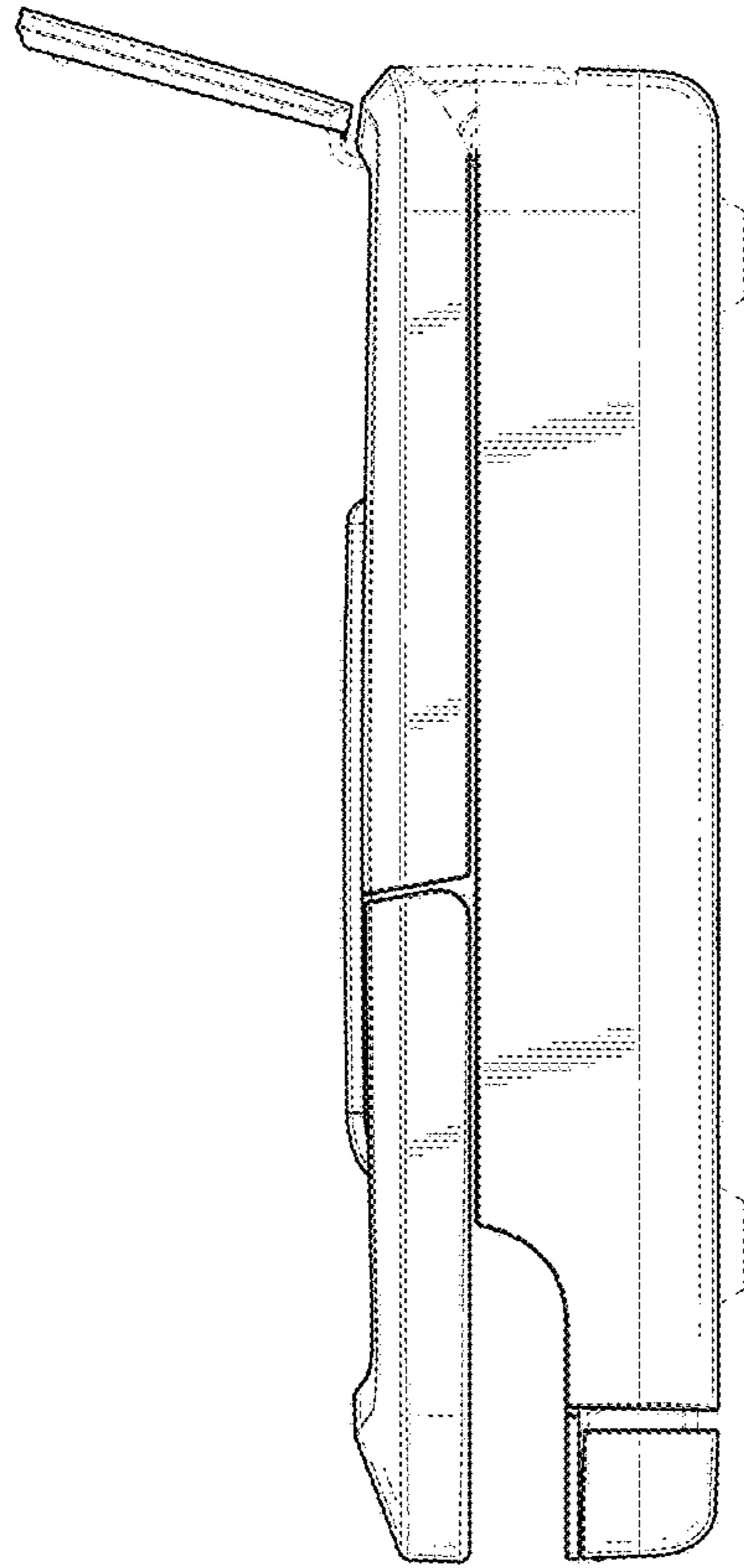


FIG. 11

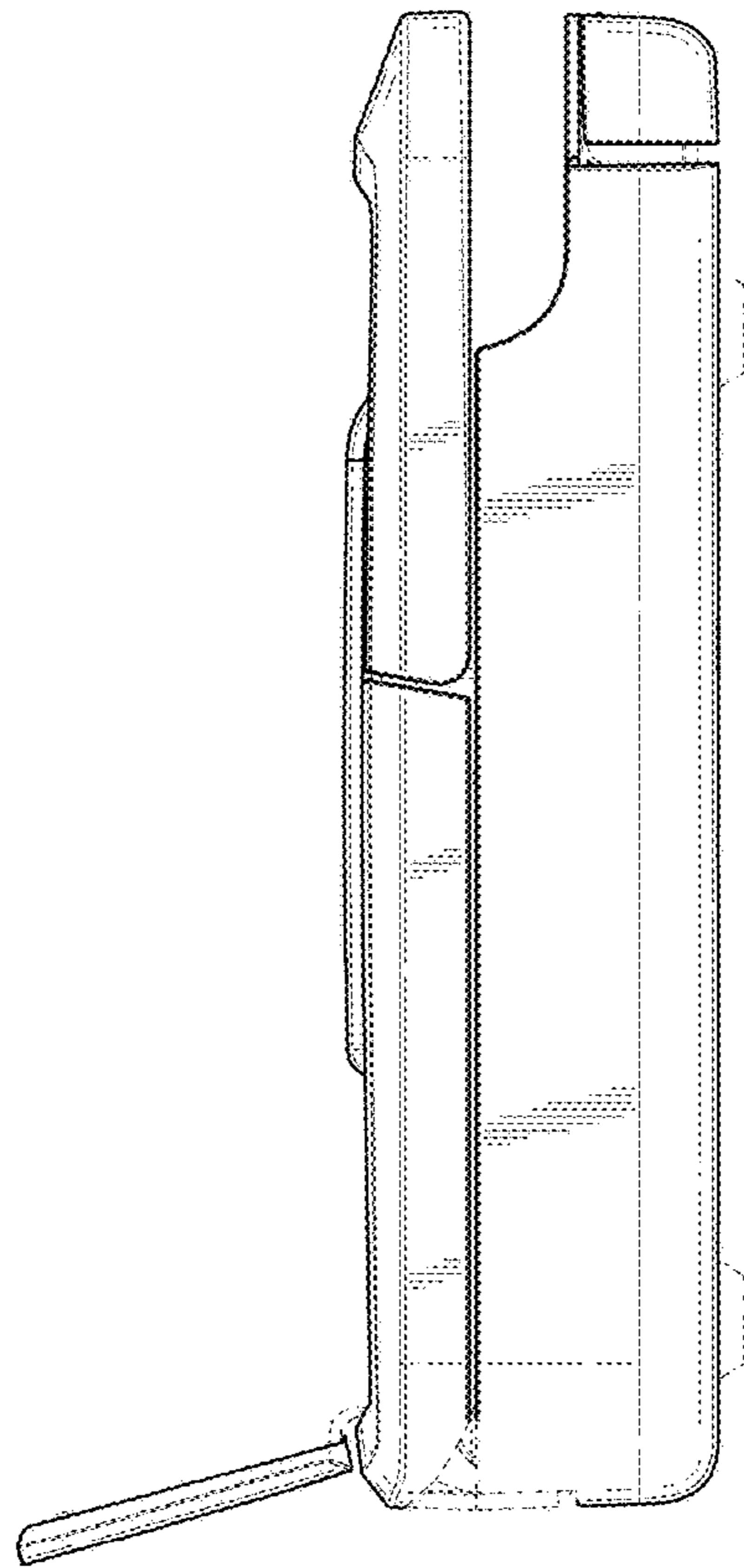


FIG. 12

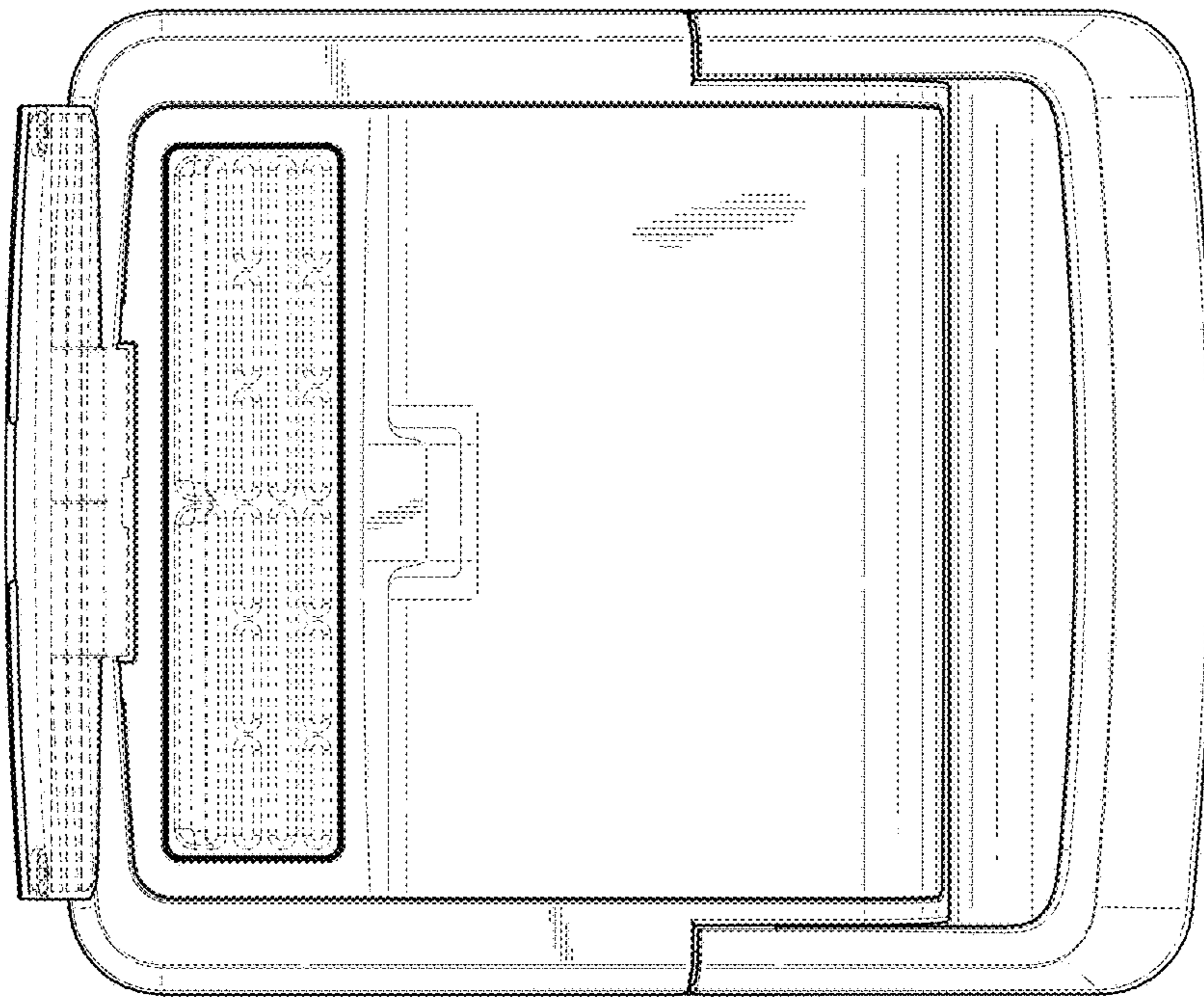


FIG. 13

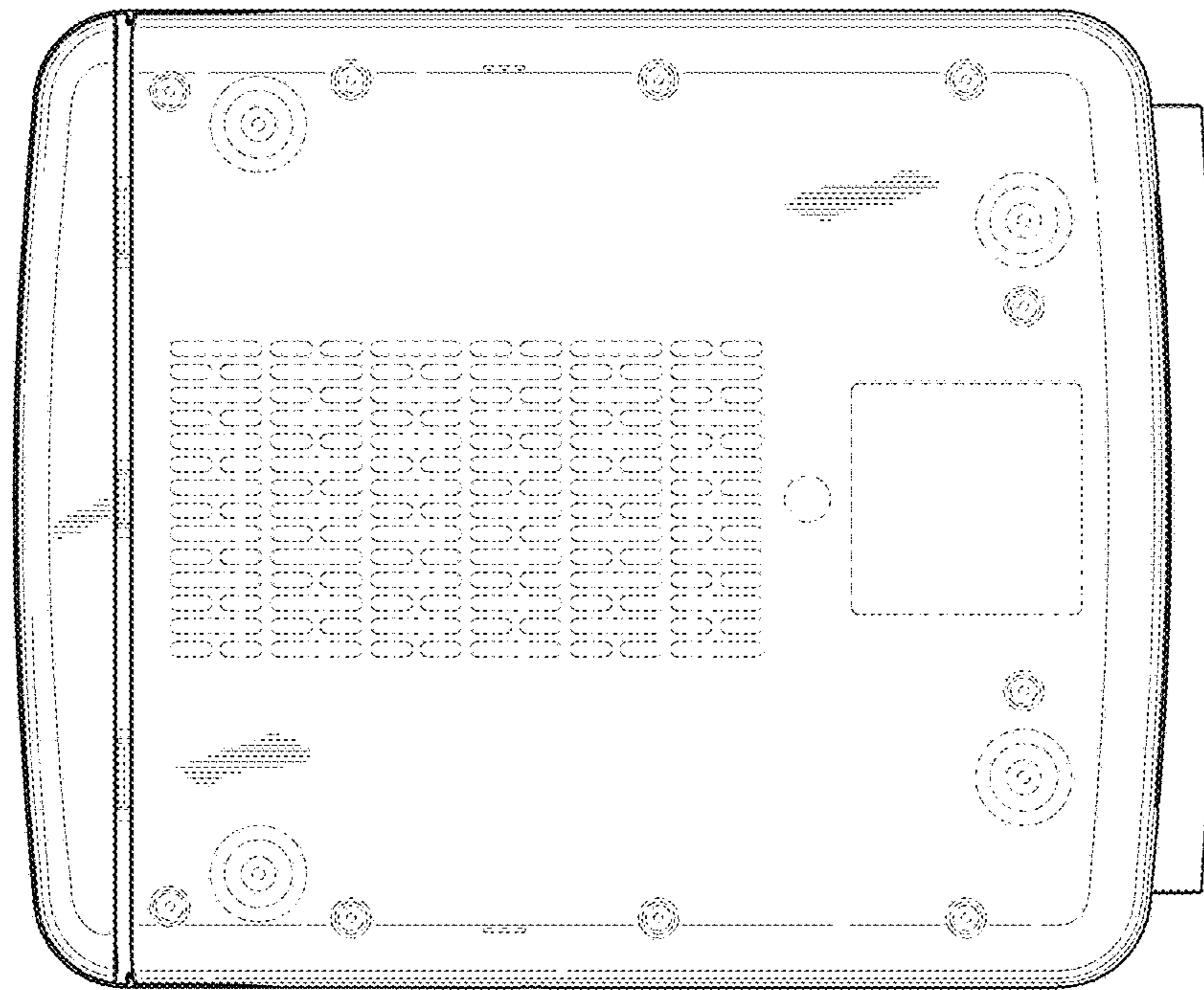


FIG. 14



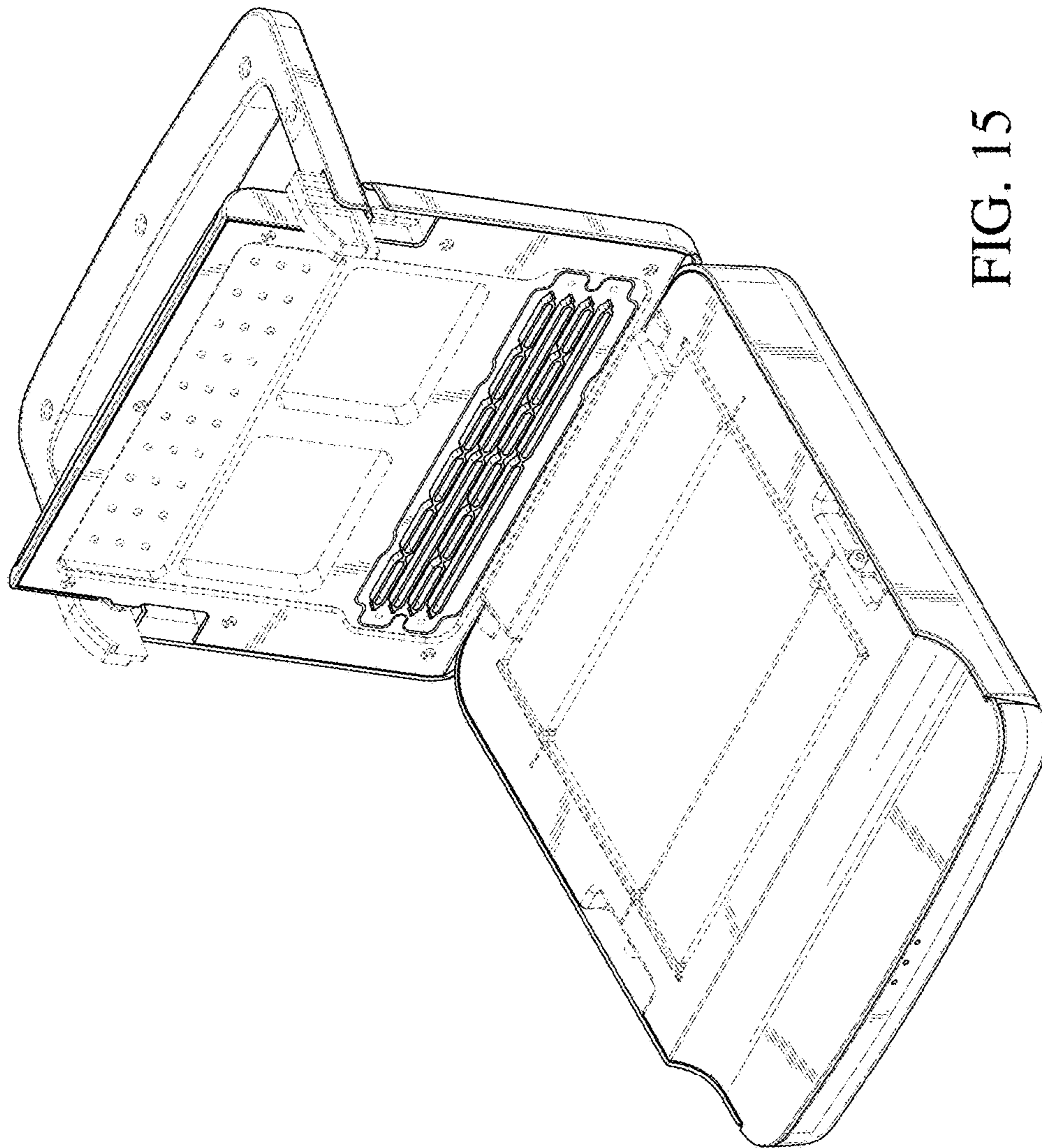


FIG. 15

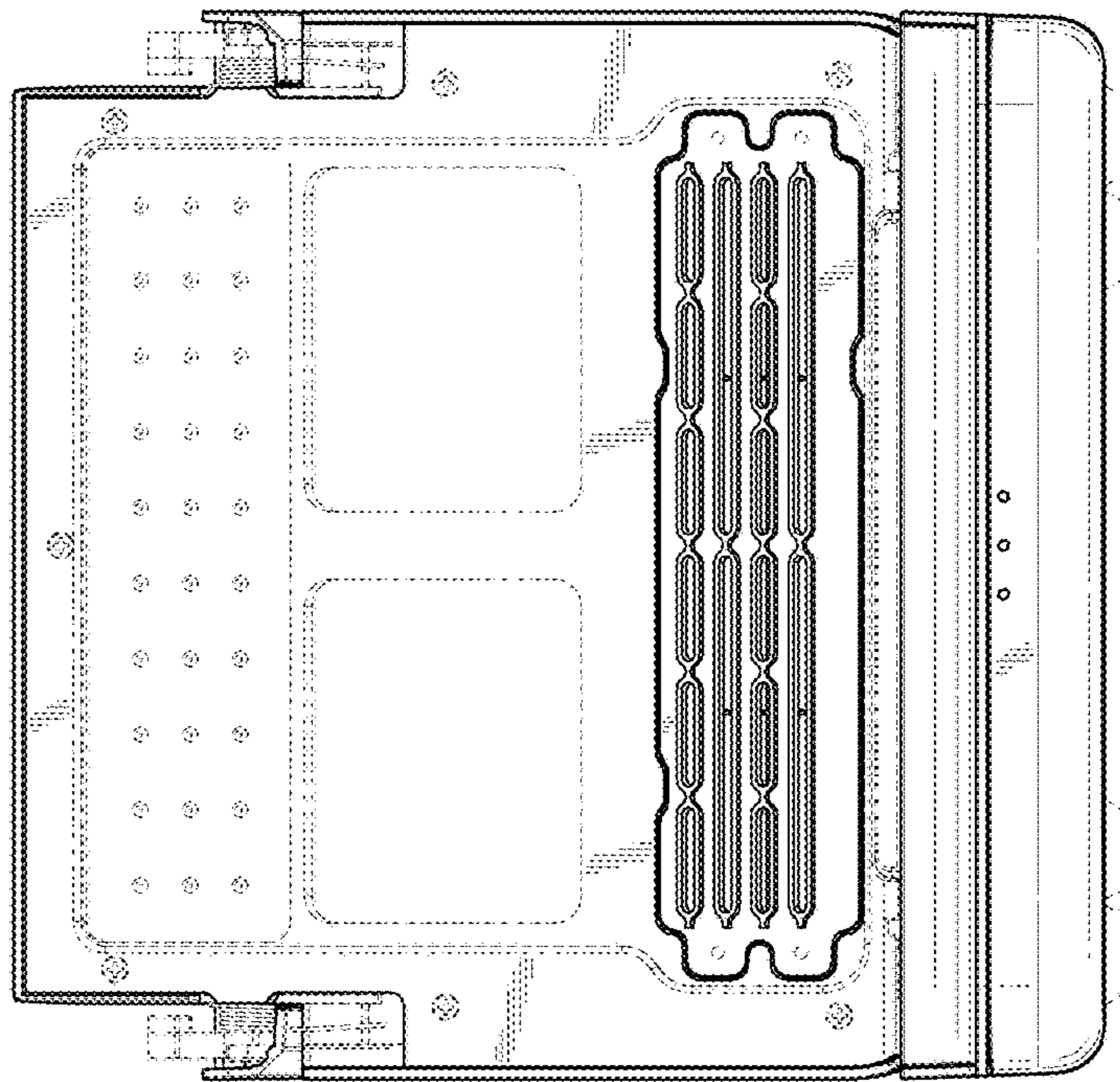


FIG. 16

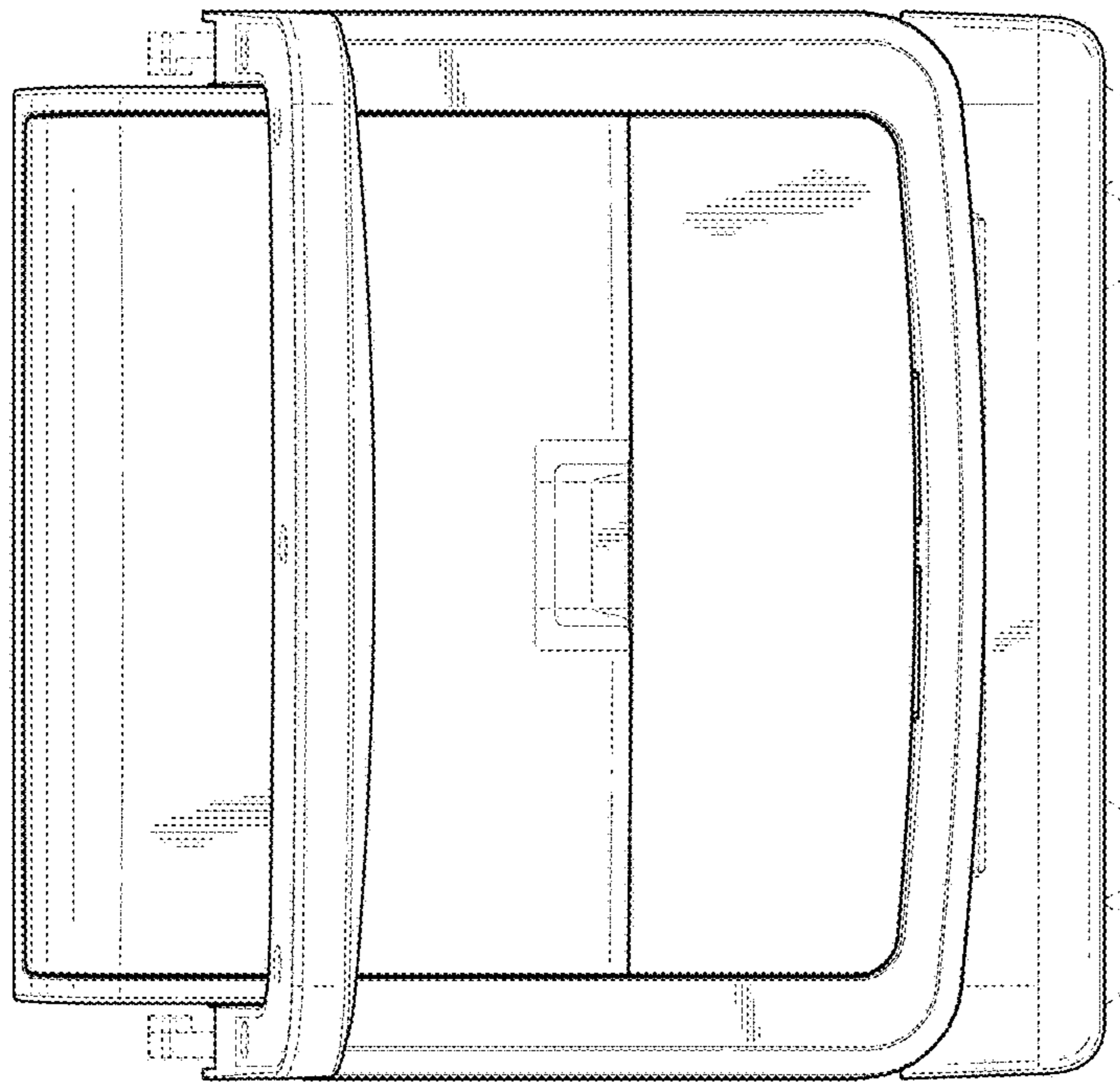


FIG. 17

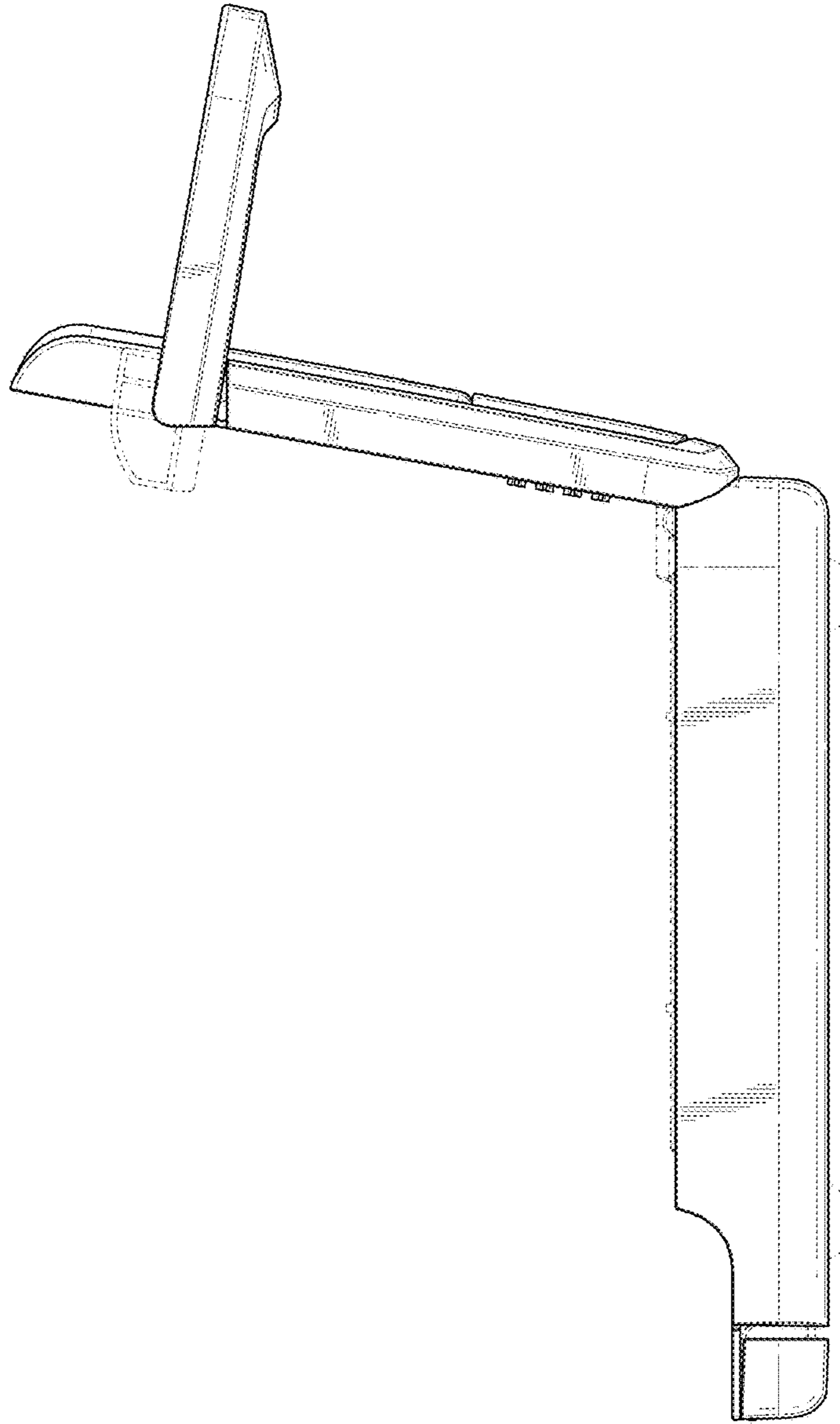


FIG. 18

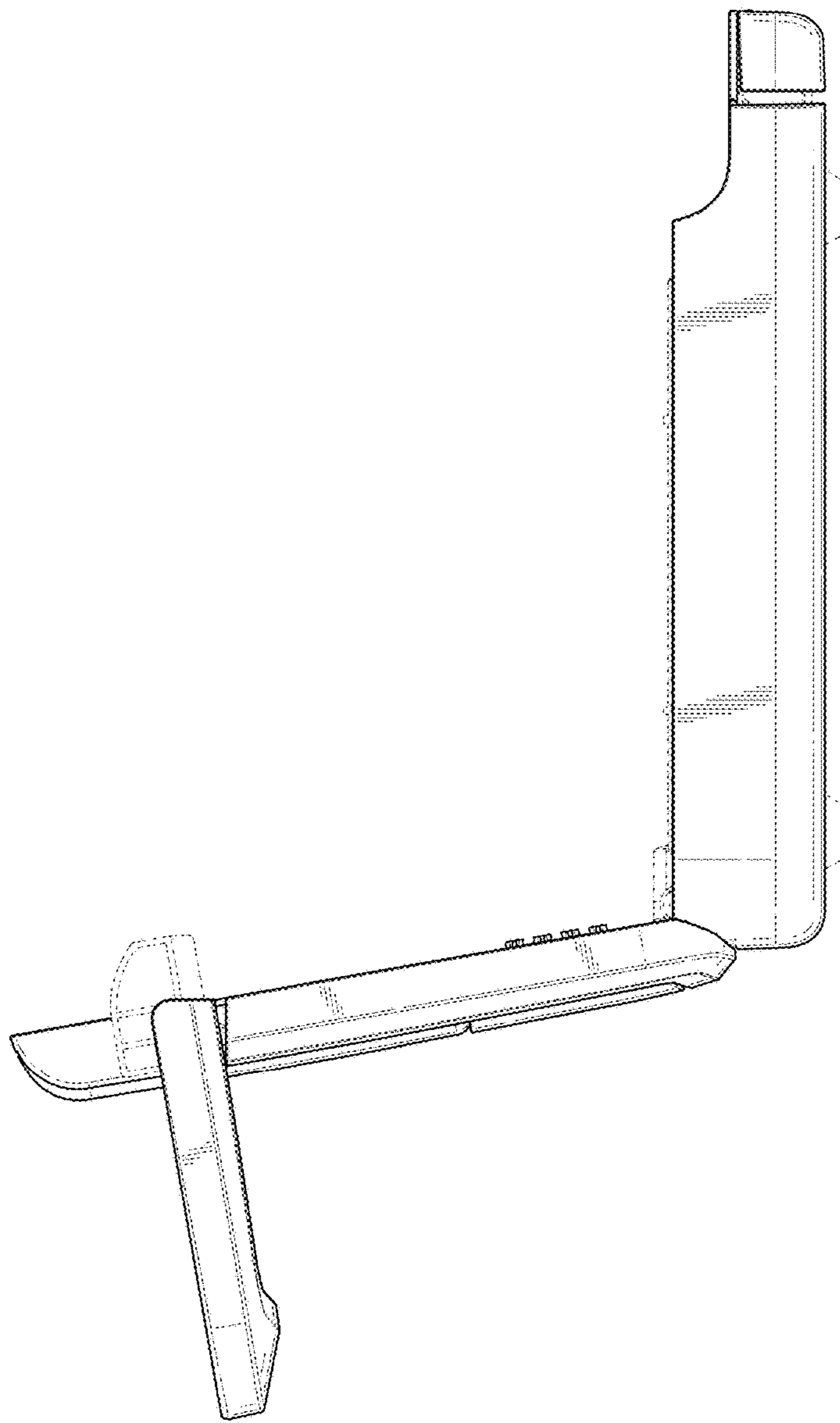


FIG. 19

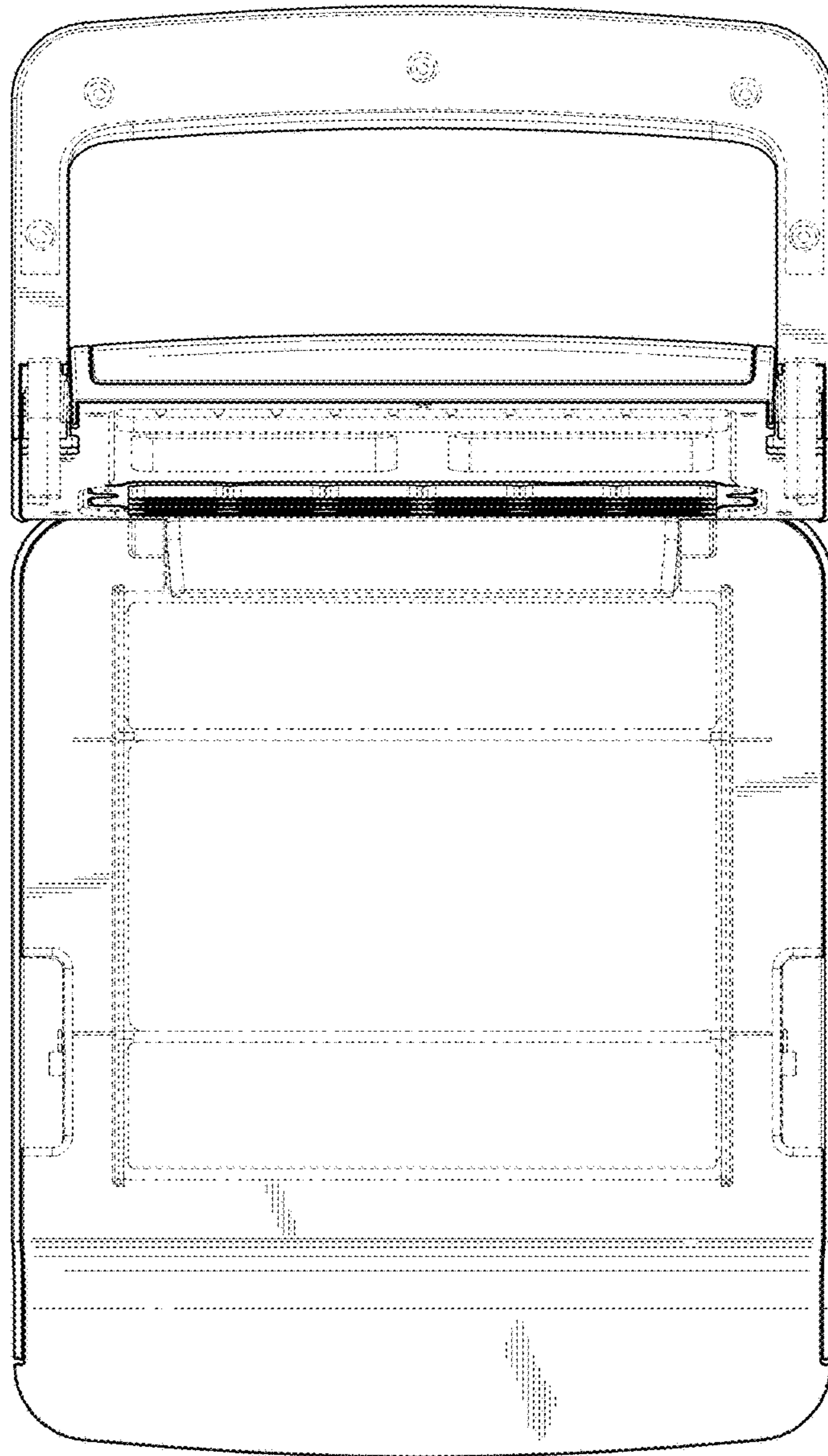


FIG. 20

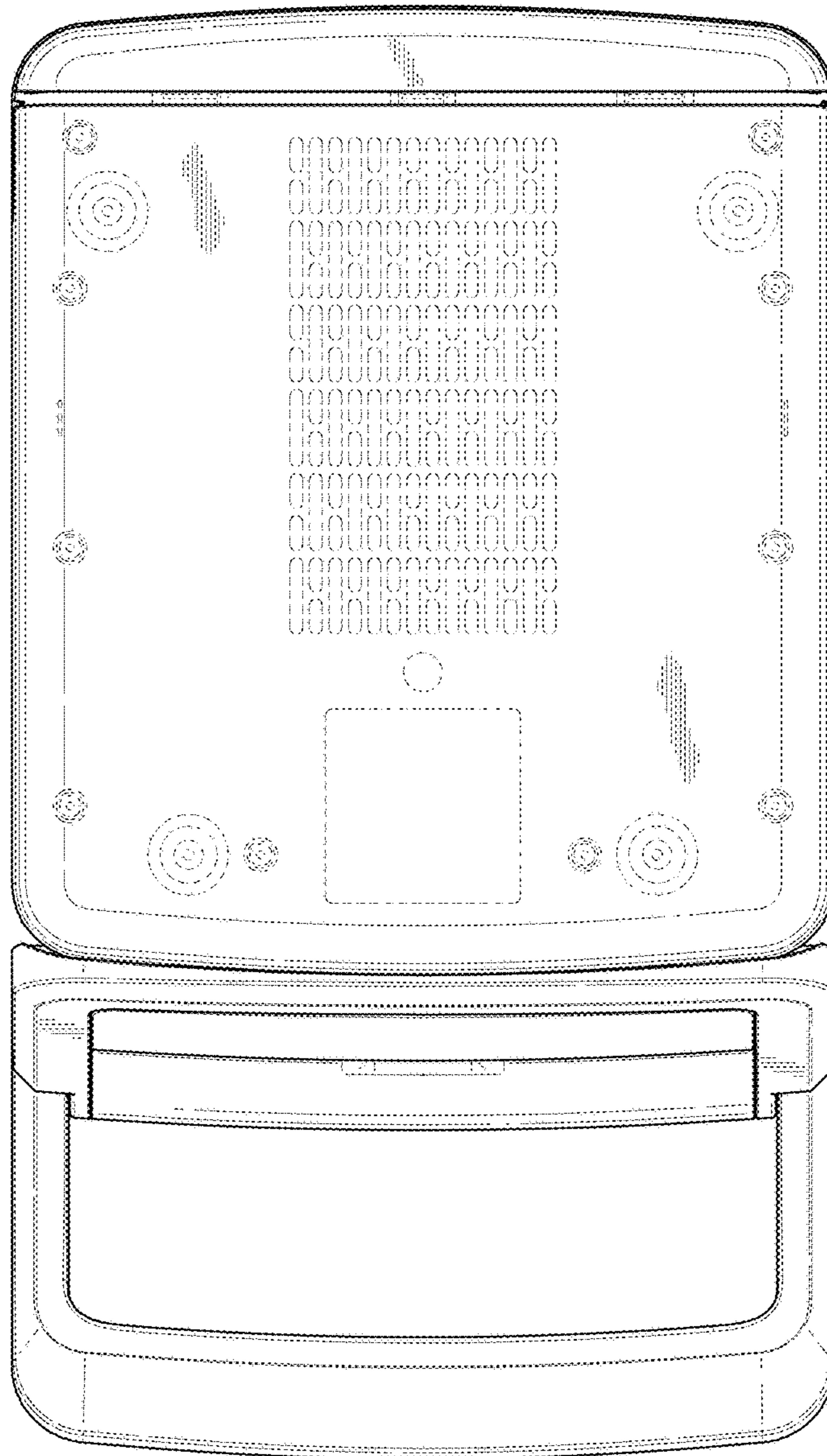


FIG. 21

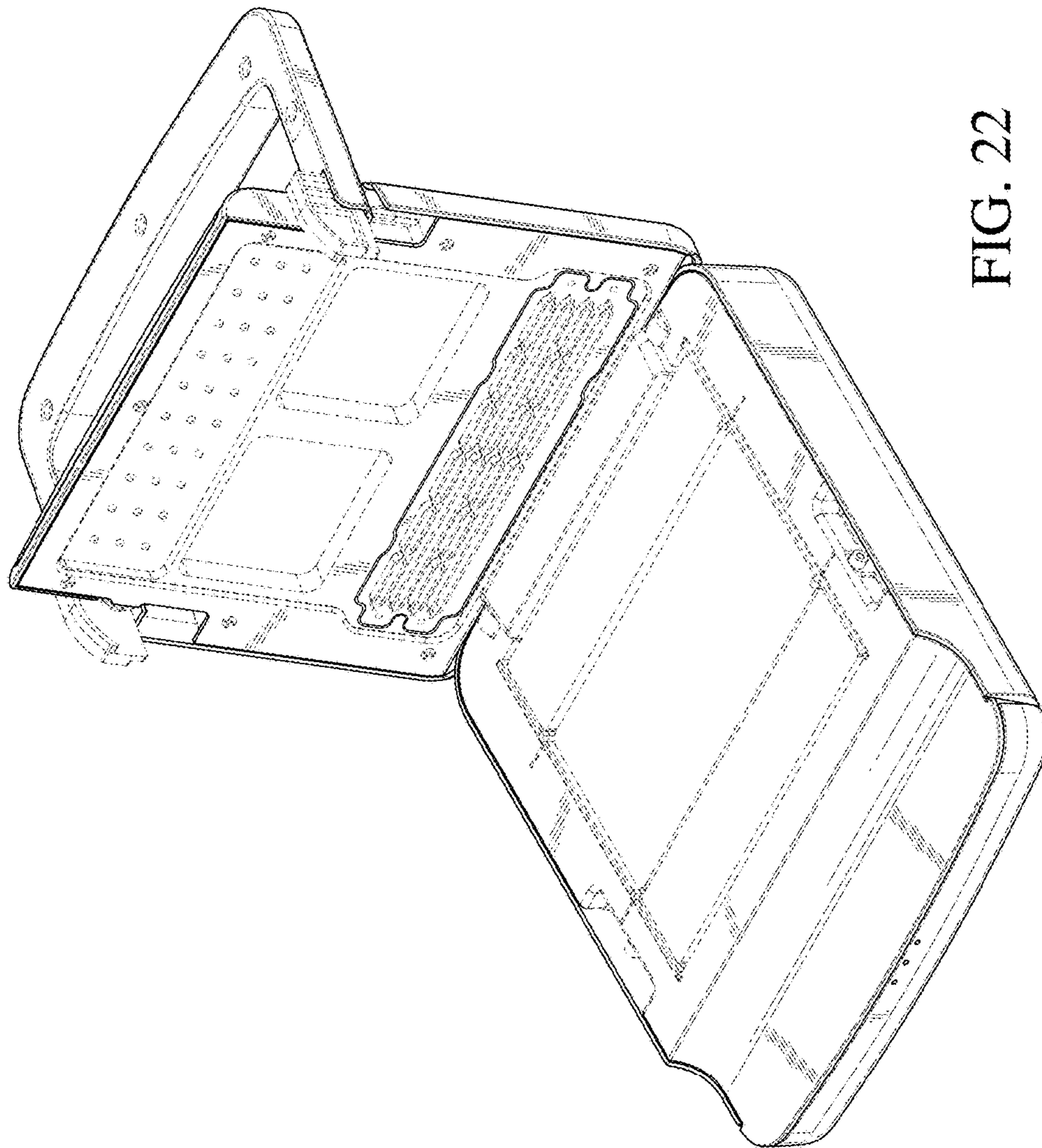


FIG. 22



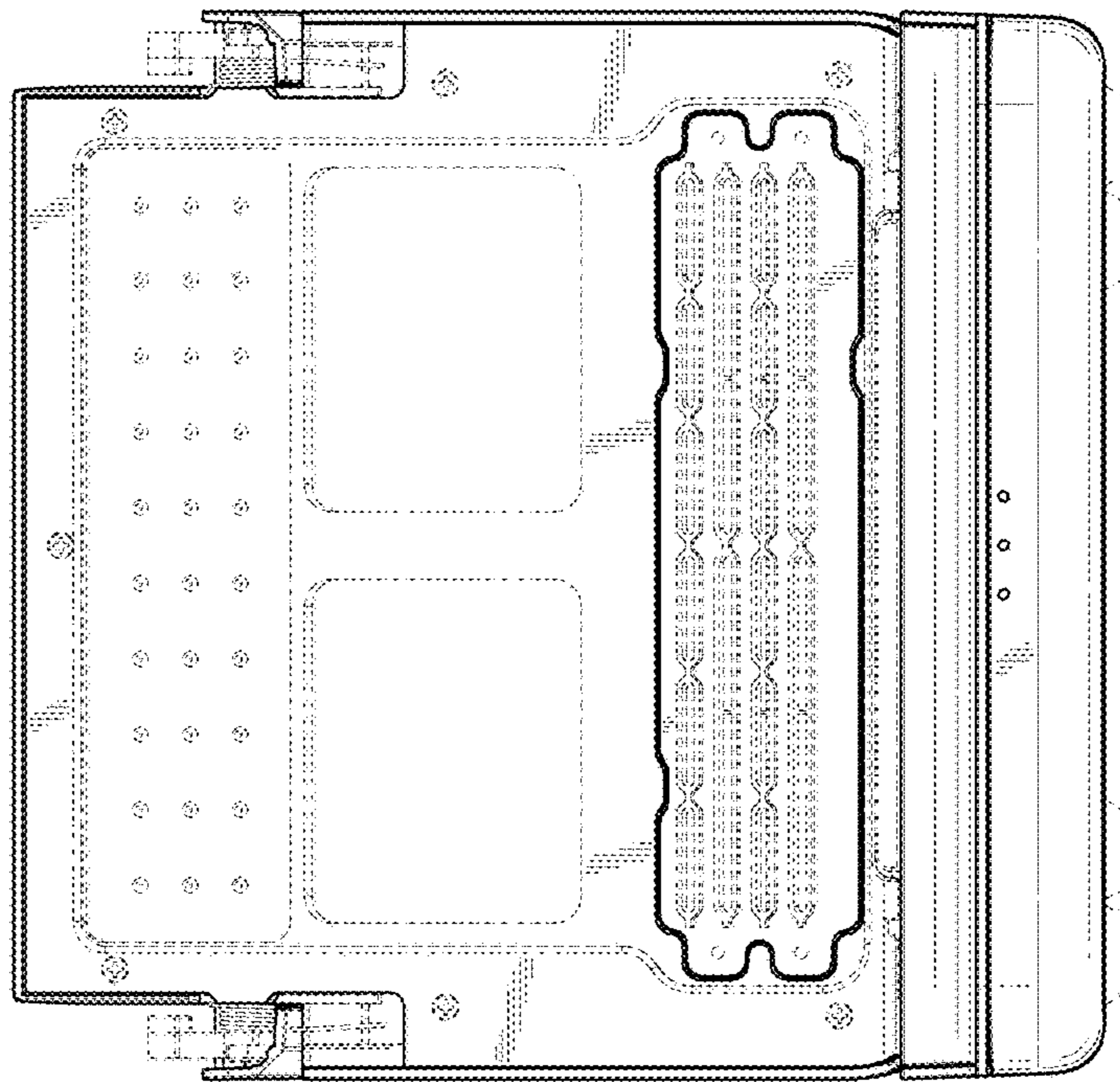


FIG. 23

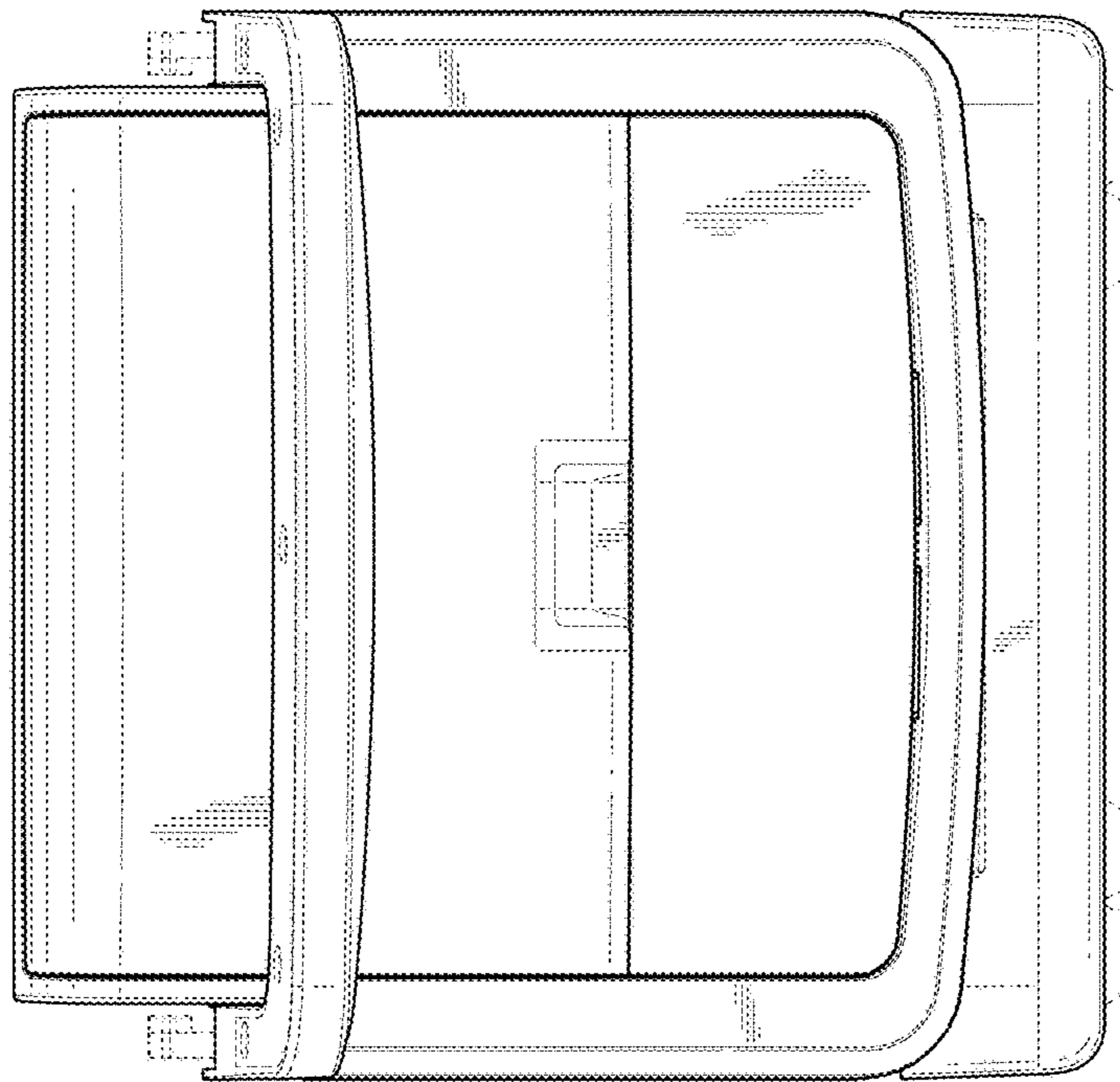


FIG. 24

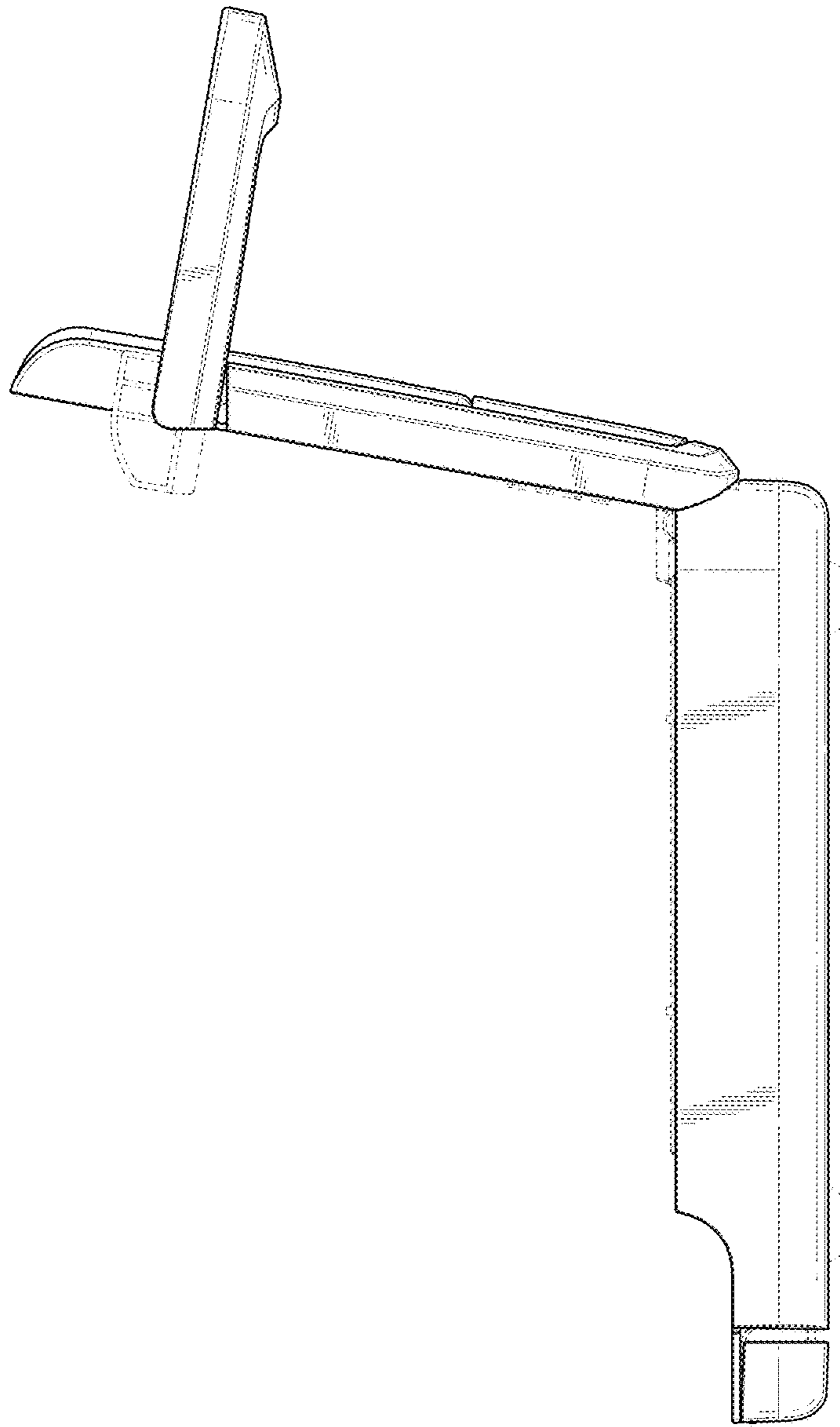


FIG. 25

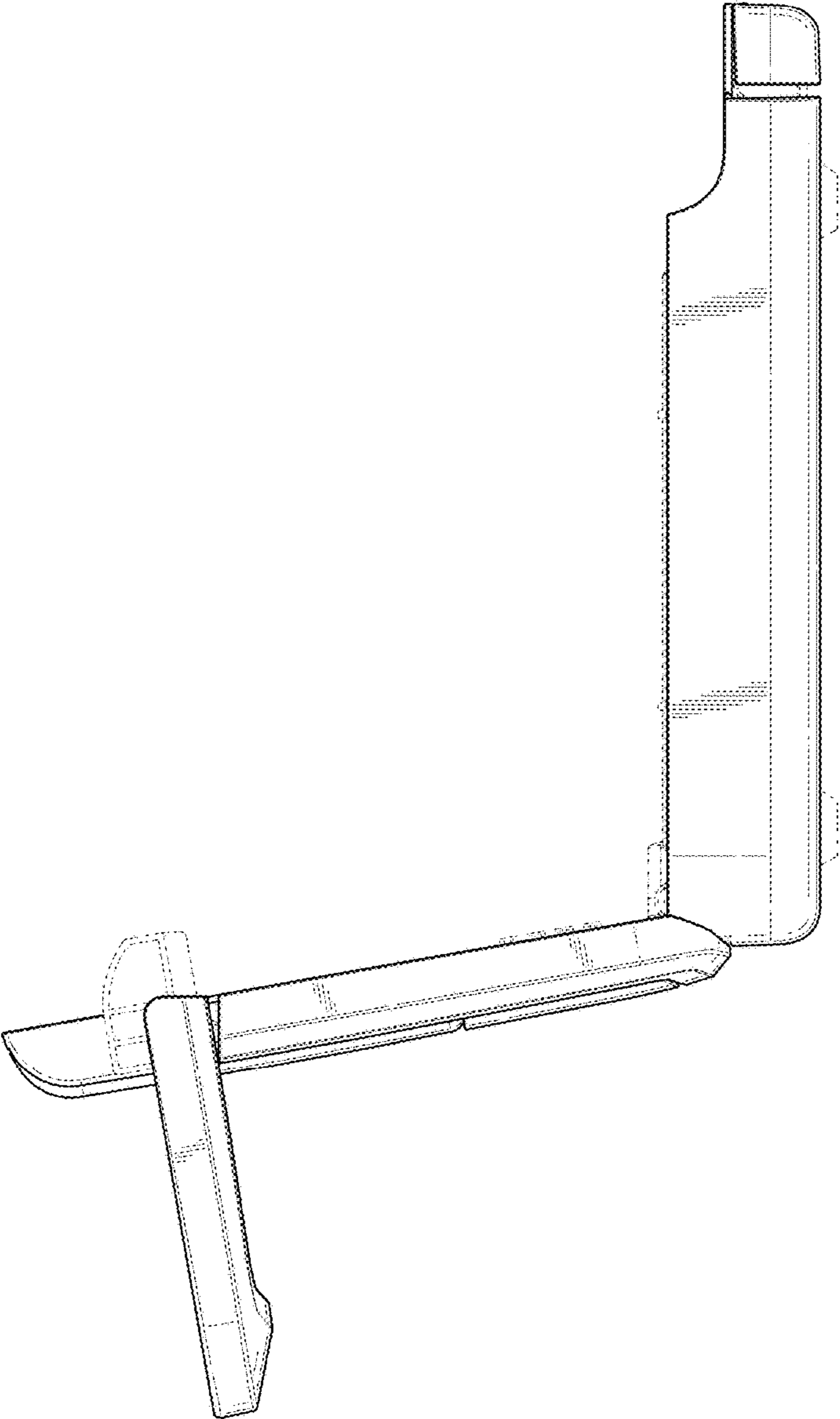


FIG. 26

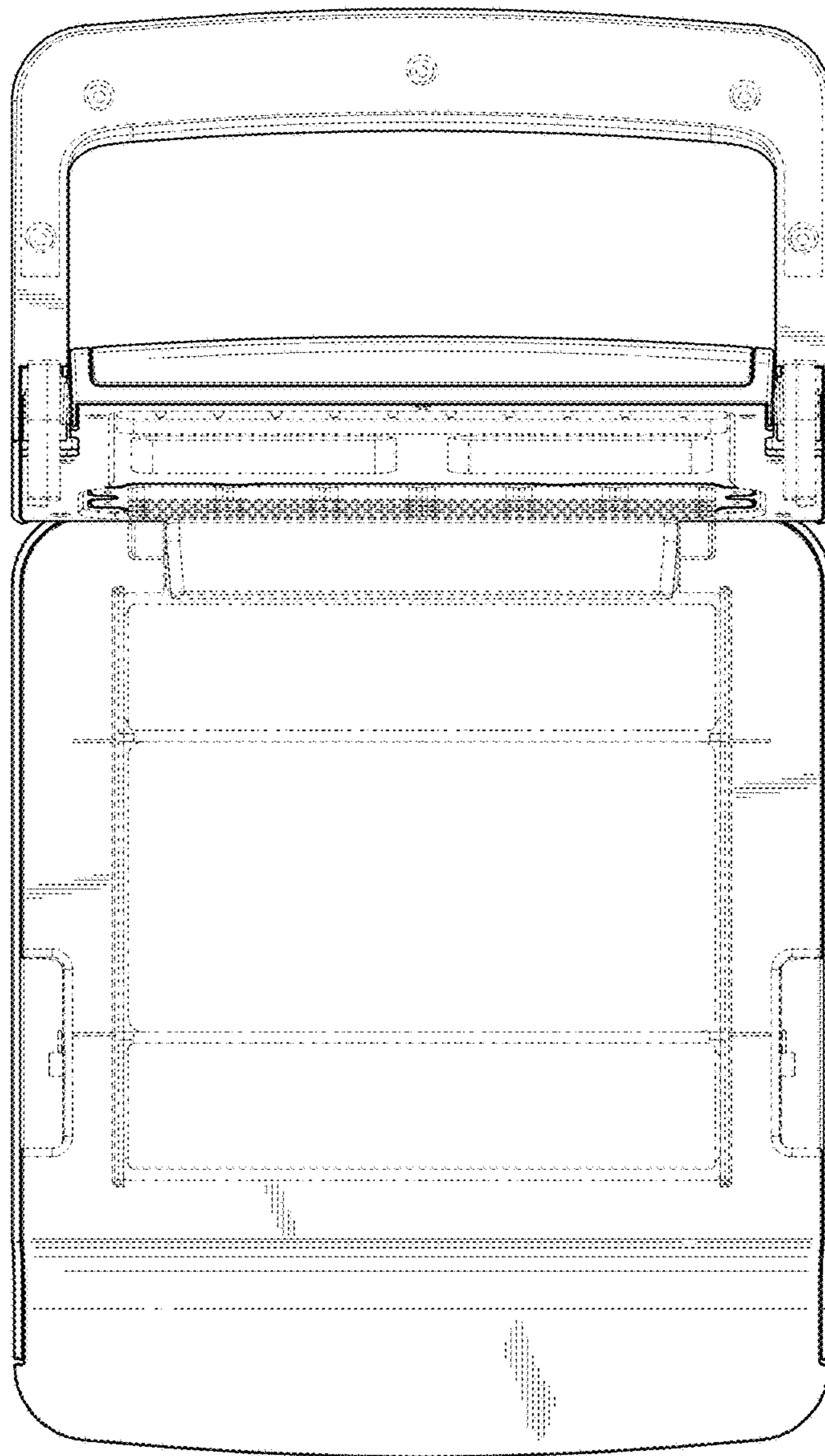


FIG. 27

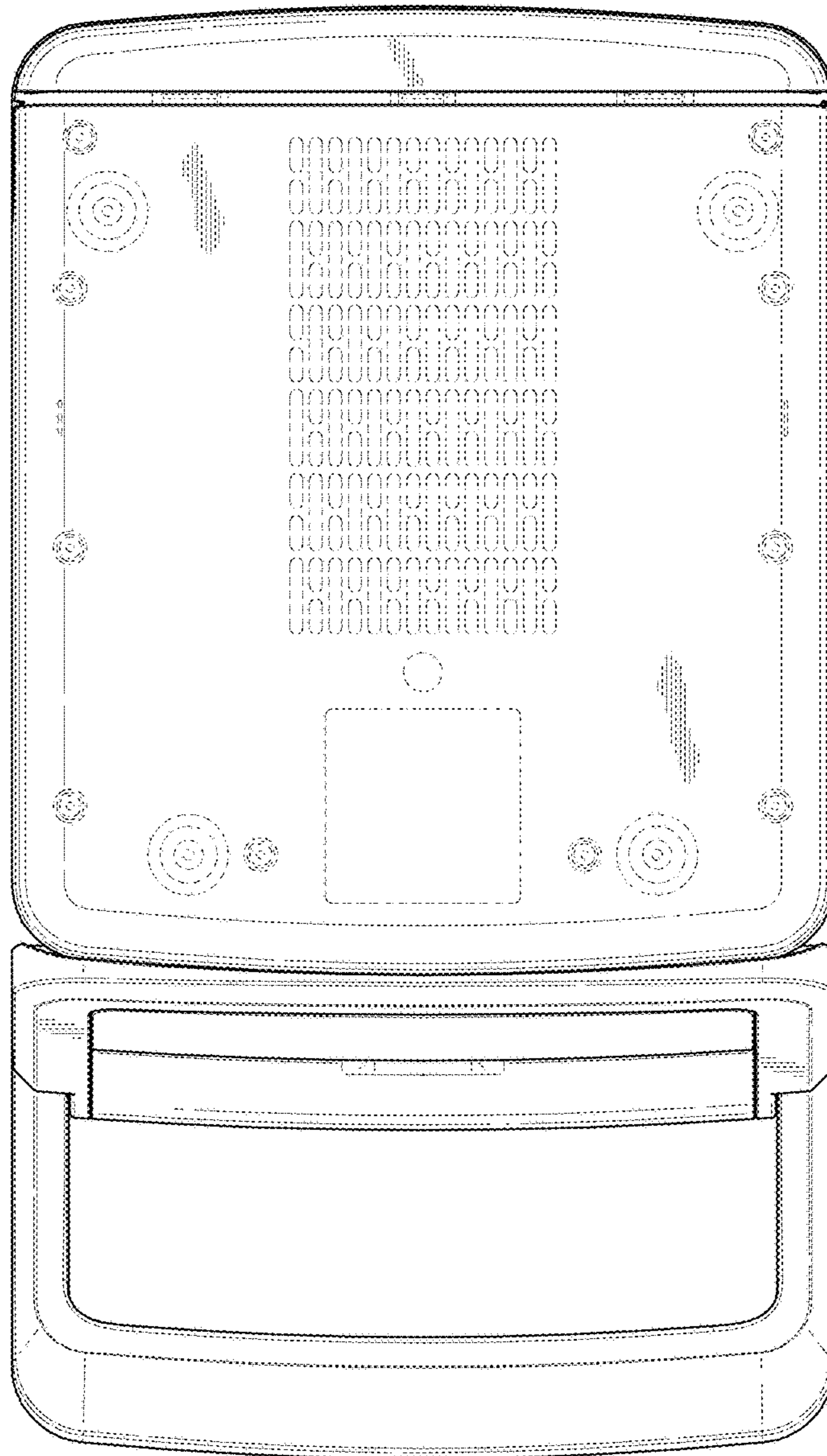


FIG. 28