



US00D857916S

(12) **United States Design Patent**  
**Tanner**

(10) **Patent No.:** **US D857,916 S**

(45) **Date of Patent:** **\*\* Aug. 27, 2019**

(54) **SOUND MACHINE FOR SLEEP THERAPY**

D787,067 S \* 5/2017 Wightman ..... D24/169  
D827,619 S \* 9/2018 Johnson ..... D14/229  
D836,788 S \* 12/2018 Peng ..... D24/200

(71) Applicant: **BEAR DOWN CONSULTING, A CALIFORNIA CORPORATION**,  
Santa Ana, CA (US)

\* cited by examiner

(72) Inventor: **Dayne Tanner**, Concord, CA (US)

*Primary Examiner* — Rhea Shields

(73) Assignee: **BEAR DOWN BRANDS LLC**, Santa Ana, CA (US)

(74) *Attorney, Agent, or Firm* — Polsinelli PC

(\*\*) Term: **15 Years**

(57) **CLAIM**

The ornamental design for a sound machine for sleep therapy, as shown and described.

(21) Appl. No.: **29/616,947**

**DESCRIPTION**

(22) Filed: **Sep. 11, 2017**

FIG. 1 is a front perspective view of a sound machine for sleep therapy according to an embodiment of the invention shown;

(51) **LOC (12) Cl.** ..... **24-99**

FIG. 2 is a rear perspective view of the sound machine of FIG. 1;

(52) **U.S. Cl.**

USPC ..... **D24/231**

FIG. 3 is a front perspective view of the sound machine of FIG. 1;

(58) **Field of Classification Search**

USPC ..... D24/231, 209, 186, 200, 169, 170, 174,  
D24/167; D14/229, 194

FIG. 4 is a rear perspective view of the sound machine of FIG. 1;

CPC ..... A61B 5/02055; A61M 21/00

See application file for complete search history.

FIG. 5 is a right side elevation view of the sound machine of FIG. 1;

(56) **References Cited**

**U.S. PATENT DOCUMENTS**

- 3,014,477 A \* 12/1961 Carlin ..... A61M 21/00  
5/904
- D244,878 S \* 6/1977 Brand ..... D14/194
- 4,090,504 A \* 5/1978 Nathan ..... A61B 5/02055  
128/DIG. 15
- D381,019 S \* 7/1997 Muller ..... D24/231
- D396,855 S \* 8/1998 Barbeau ..... D24/231
- D599,485 S \* 9/2009 Burrows ..... D24/209
- D629,113 S \* 12/2010 Wodecki ..... D24/186
- D669,992 S \* 10/2012 Schafer ..... D24/170
- D670,390 S \* 11/2012 Goodman ..... D24/174
- D717,955 S \* 11/2014 Bishay ..... D24/167
- D766,456 S \* 9/2016 Luc ..... D24/231

FIG. 6 is a left side elevation view of the sound machine of FIG. 1;

FIG. 7 is a top plan view of the sound machine of FIG. 1;

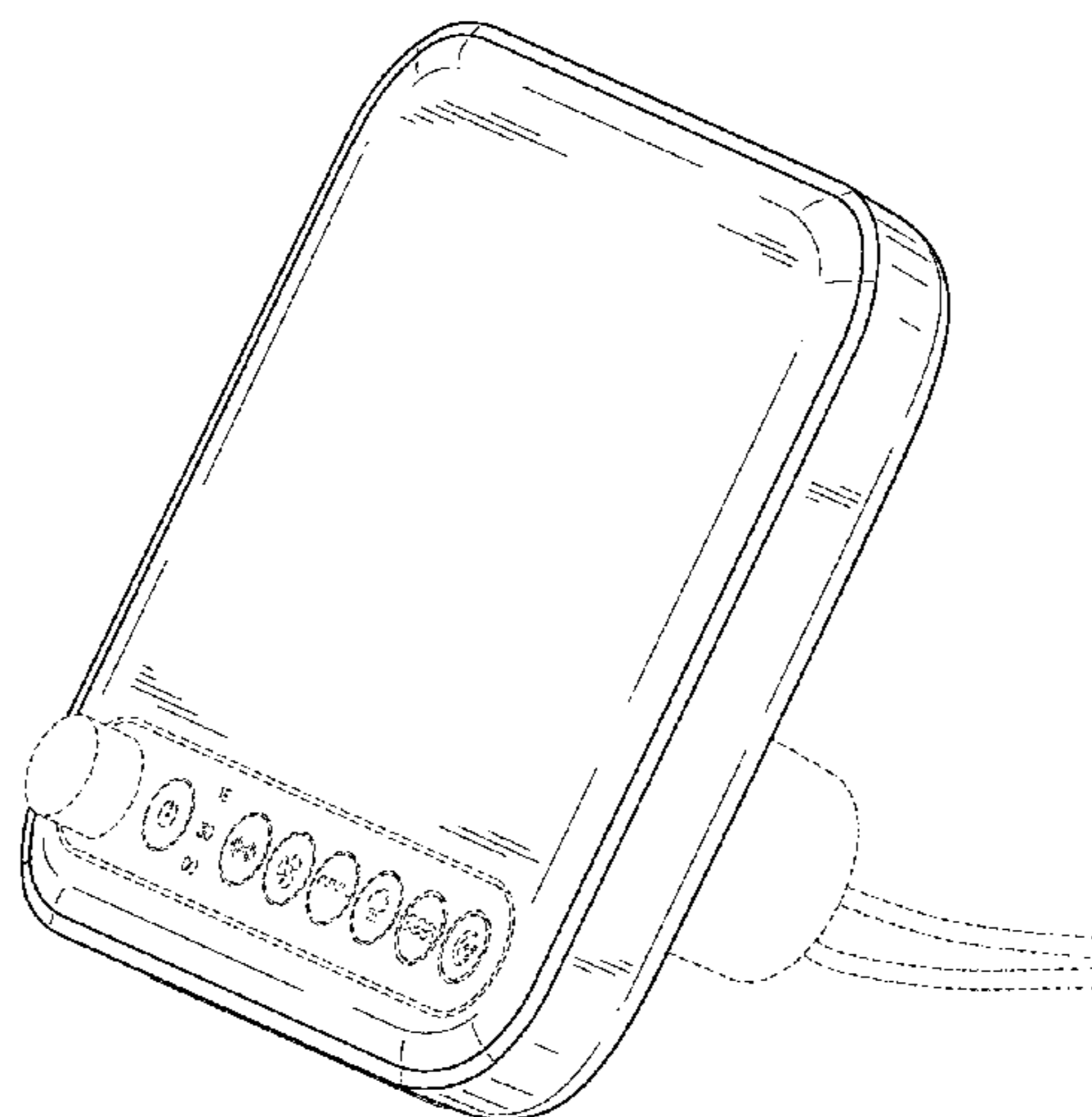
FIG. 8 is a bottom plan view of the sound machine of FIG. 1;

FIG. 9 is a front elevation view of the sound machine of FIG. 1; and,

FIG. 10 is a rear elevation view of the sound machine of FIG. 1.

The broken dashed lines (- - -) showing in FIGS. 1-10 are included for the purpose of illustrating portions of the sound machine for sleep therapy that form no part of the claimed design.

**1 Claim, 8 Drawing Sheets**



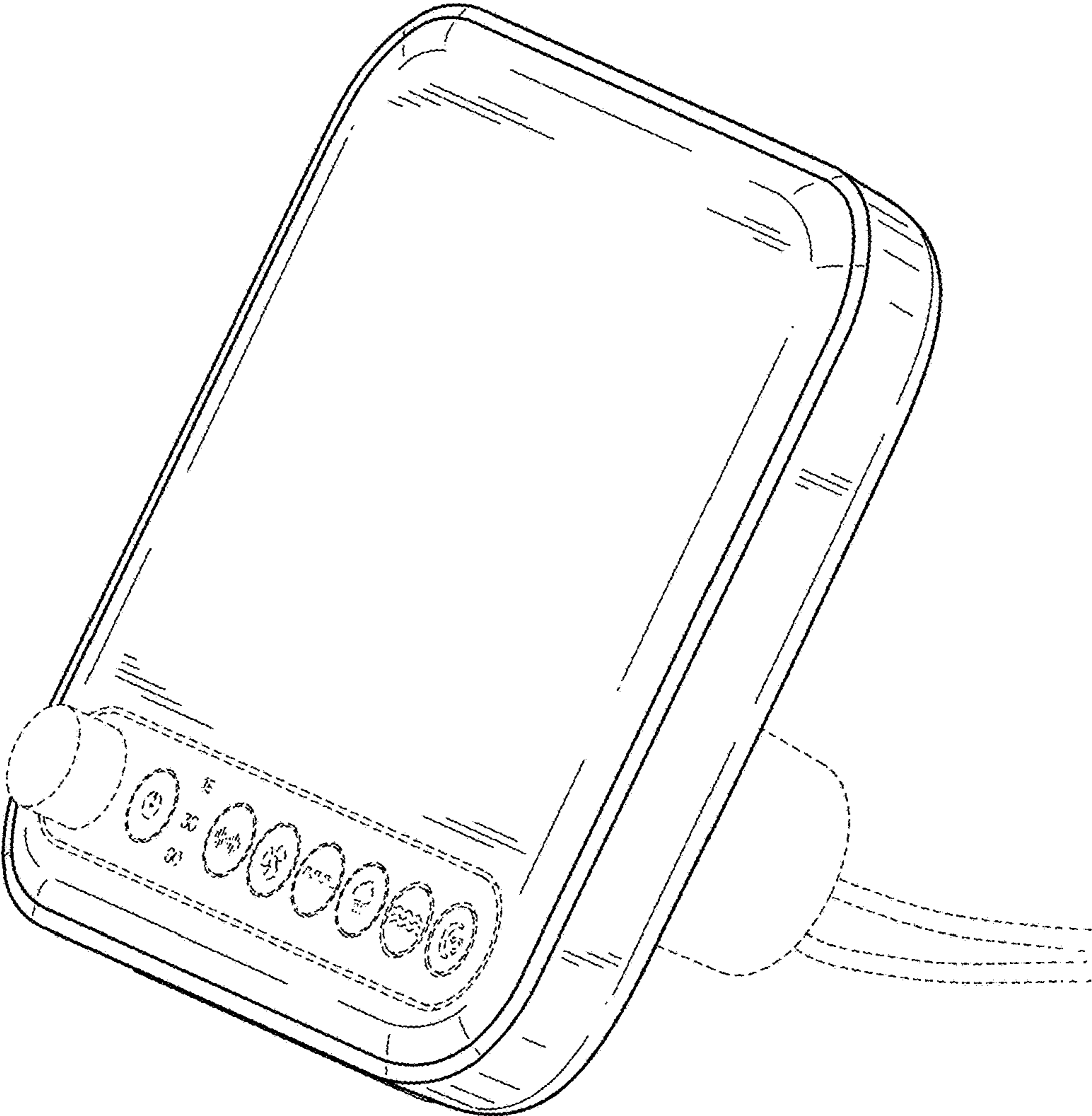


FIG. 1

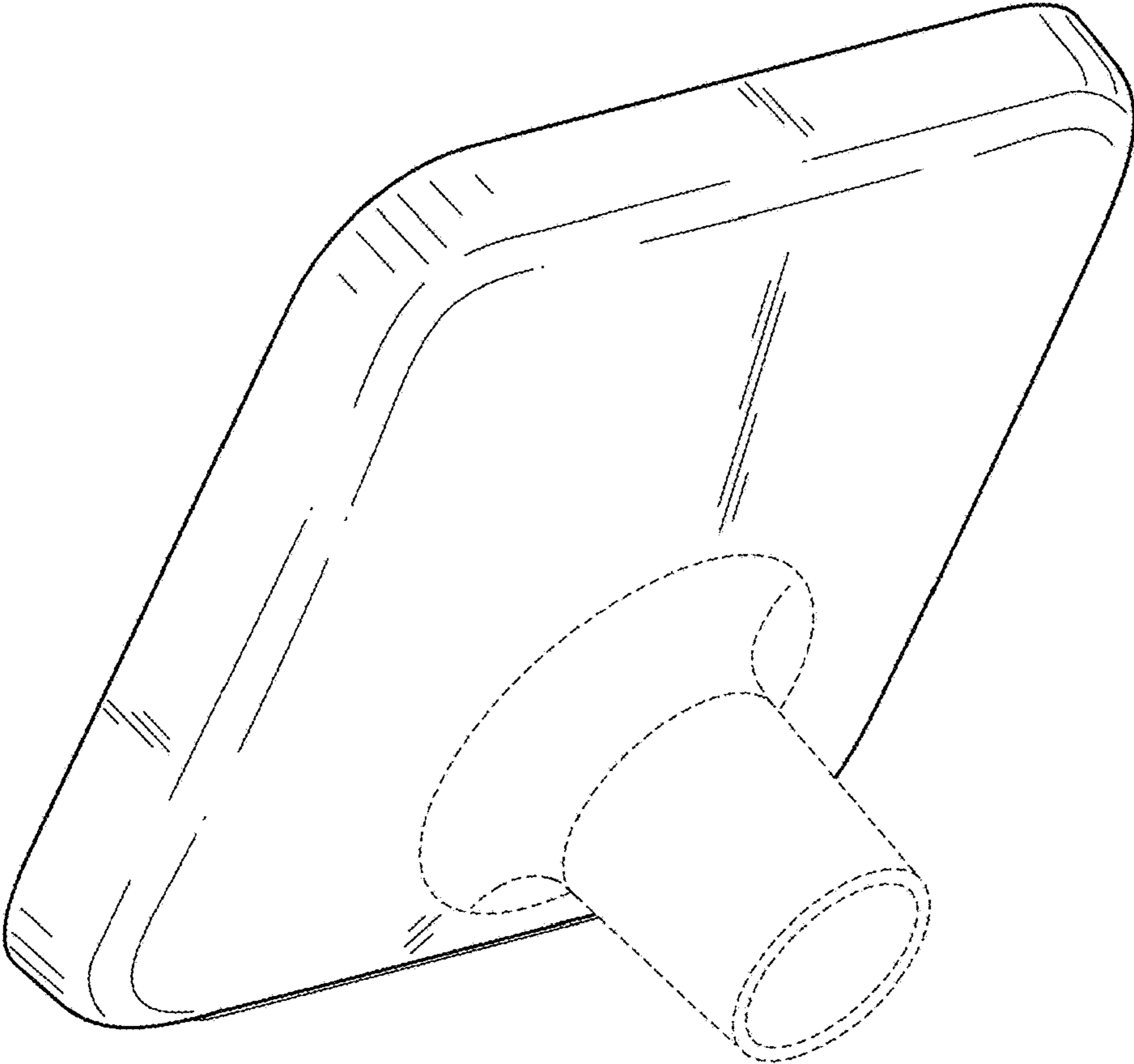


FIG. 2

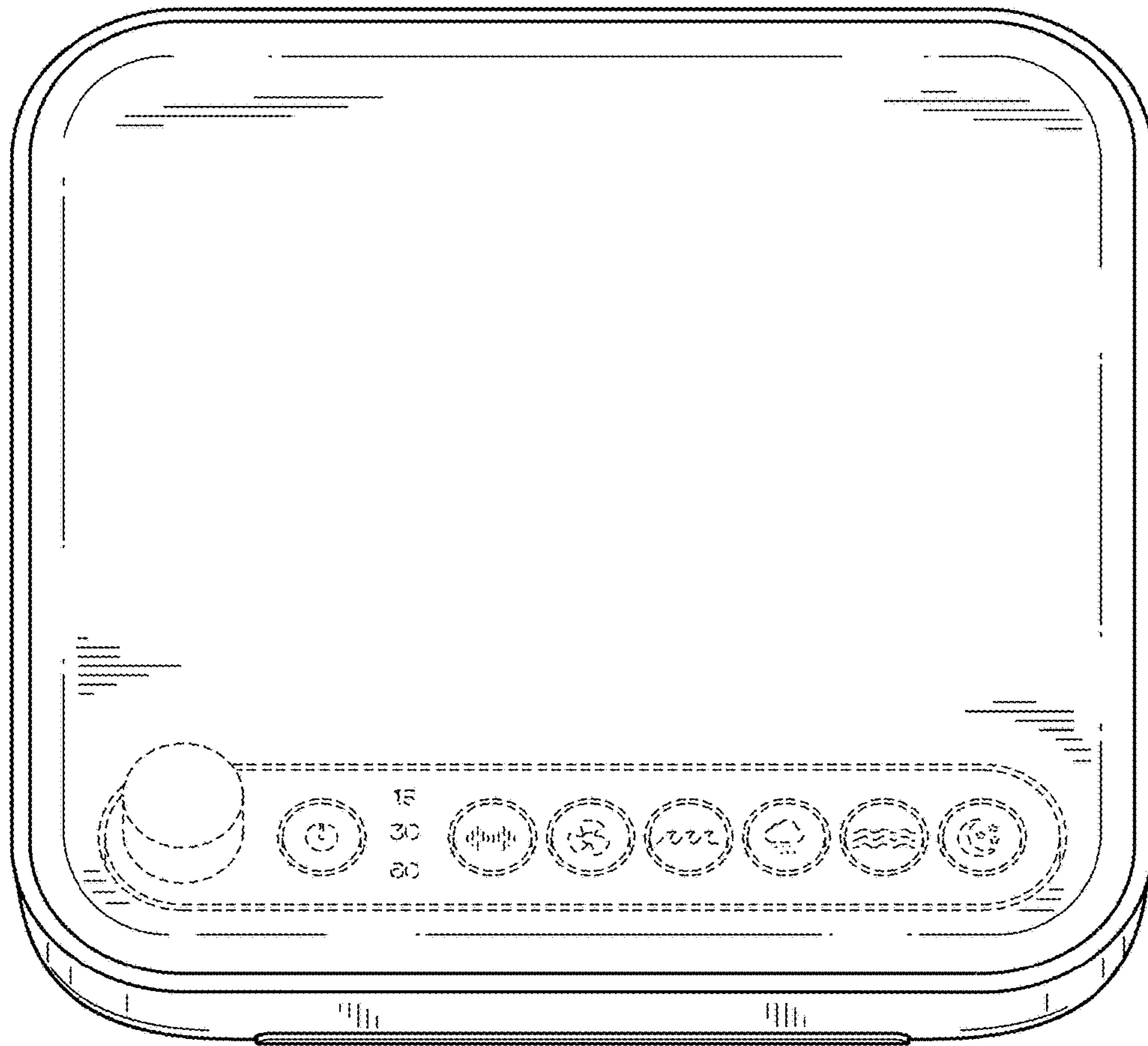


FIG. 3

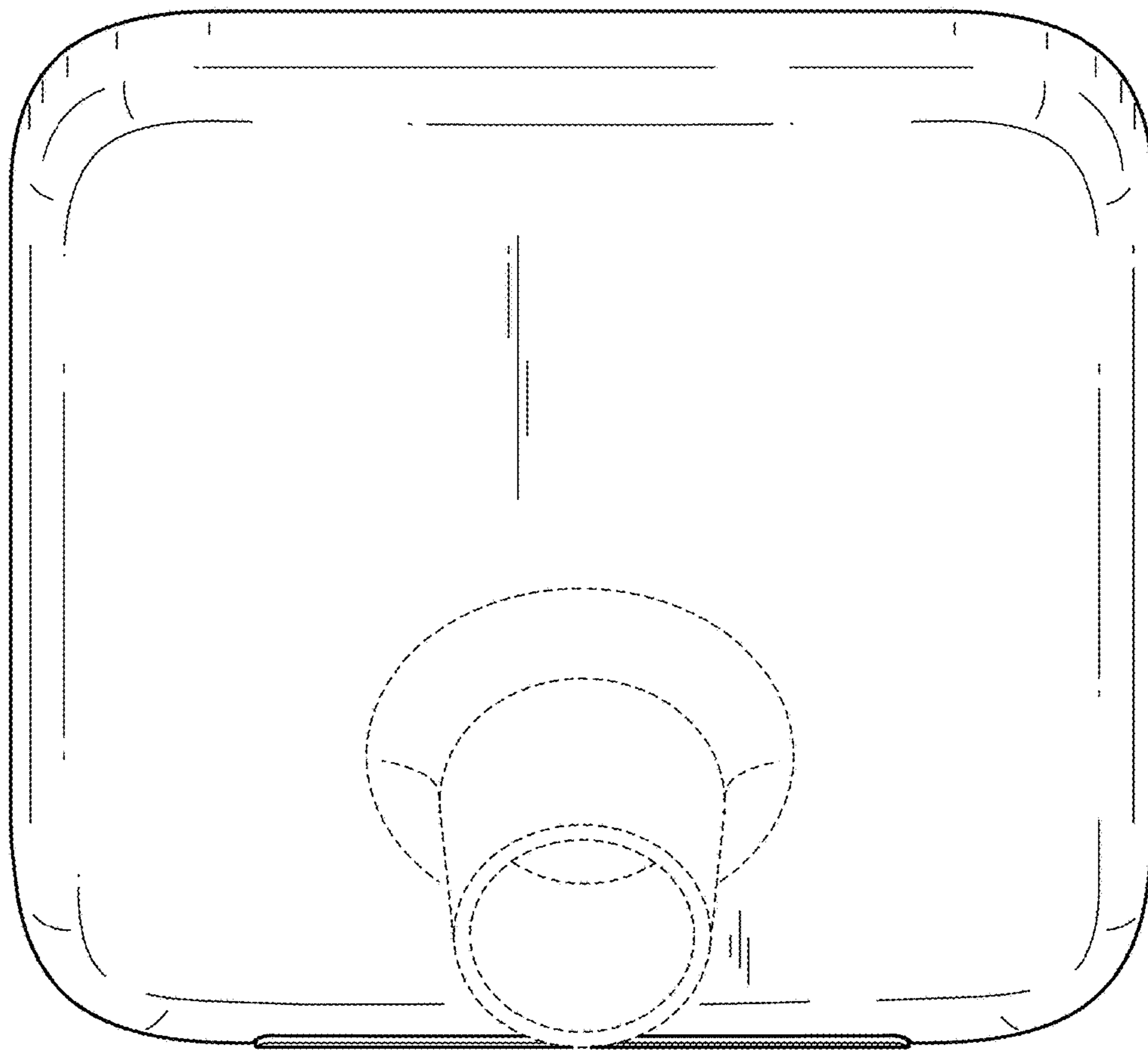


FIG. 4

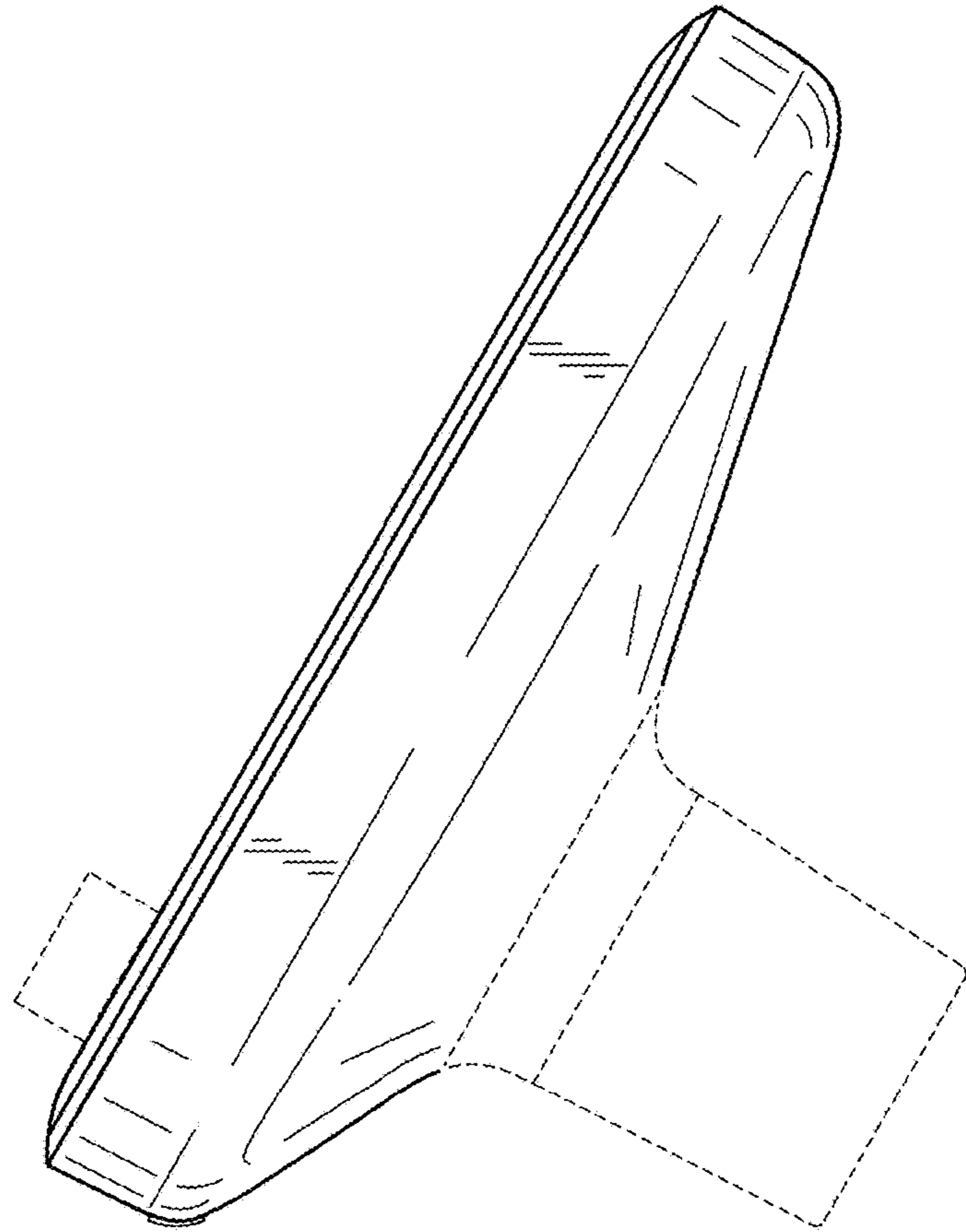


FIG. 5

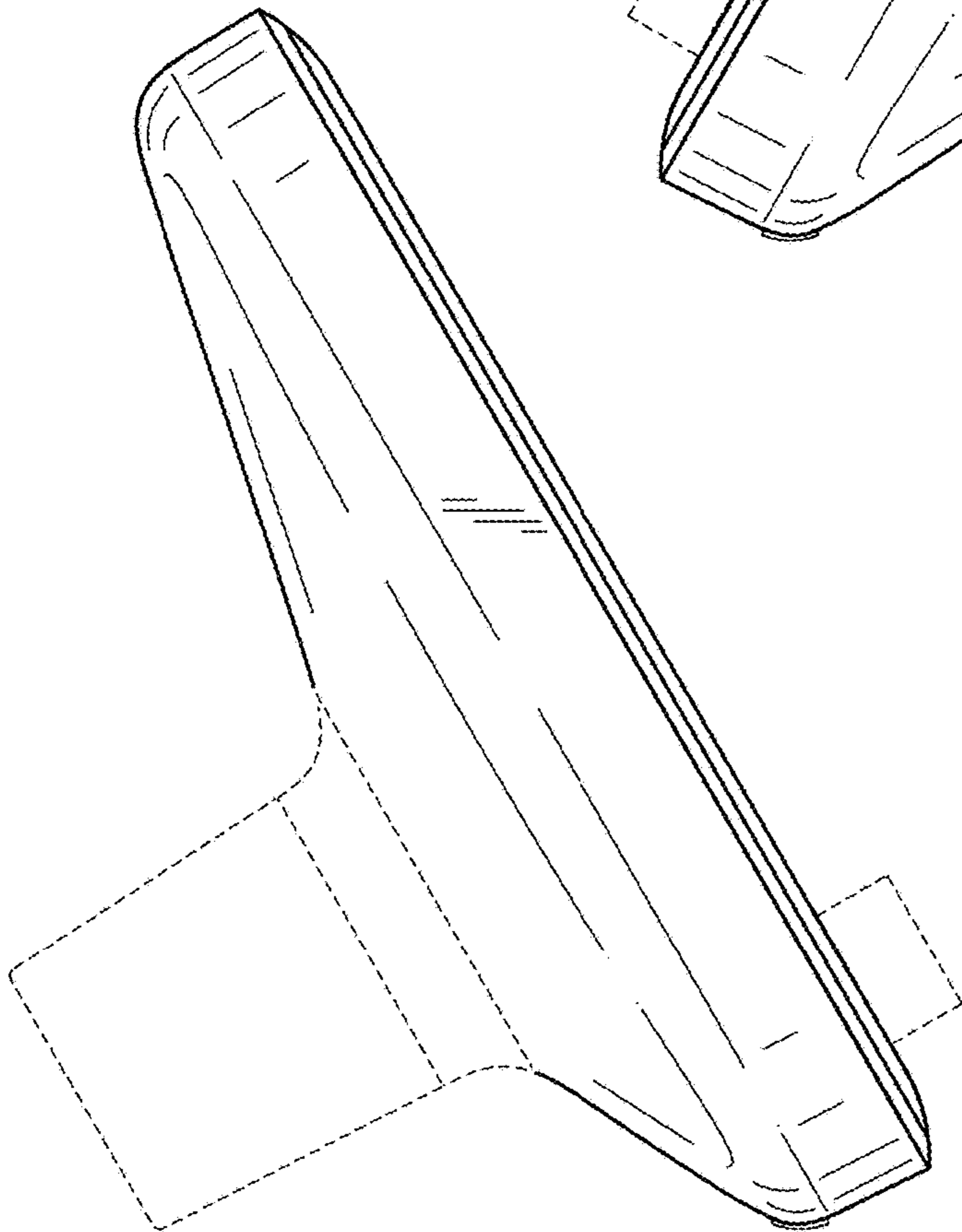


FIG. 6

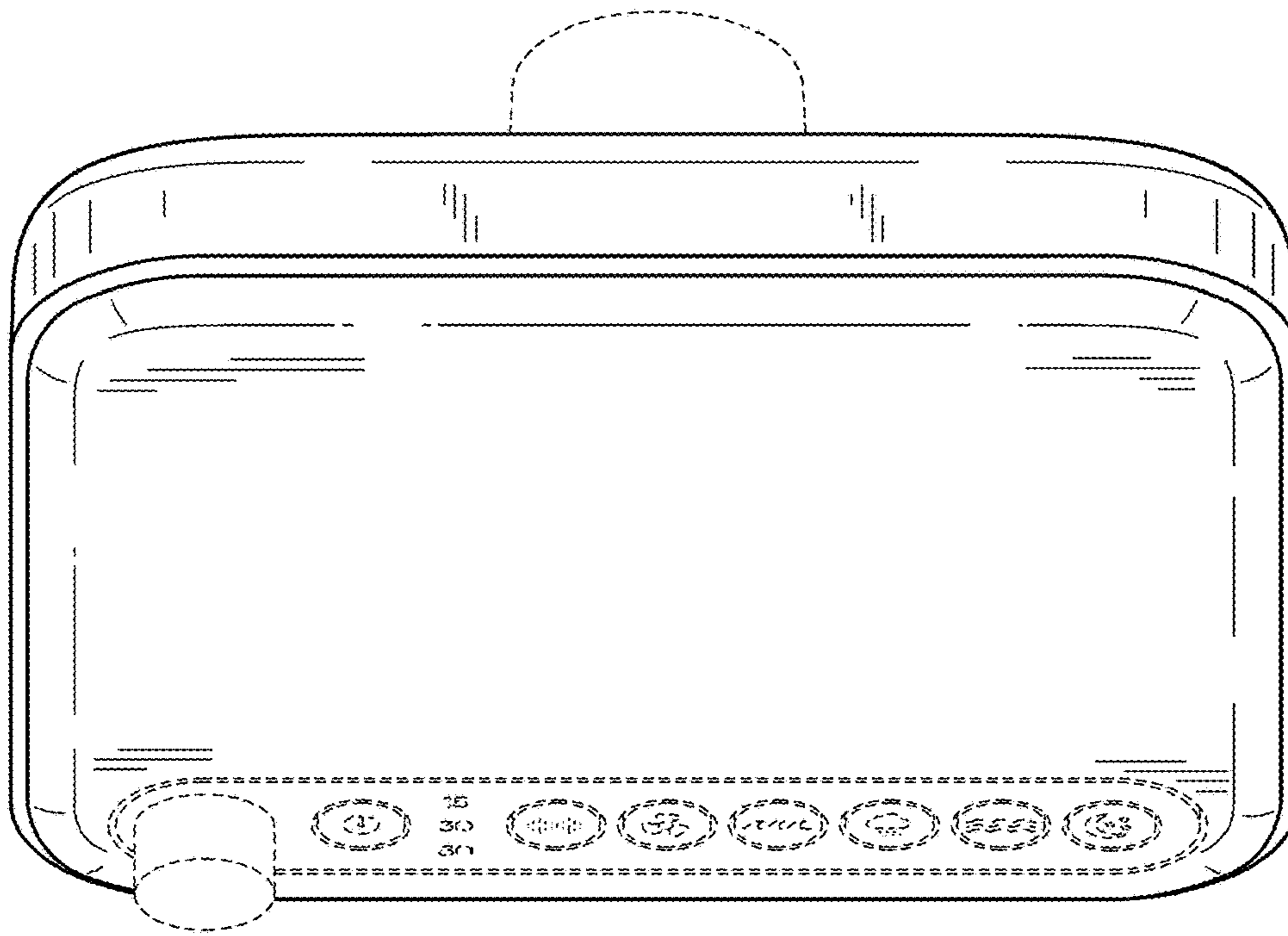


FIG. 7

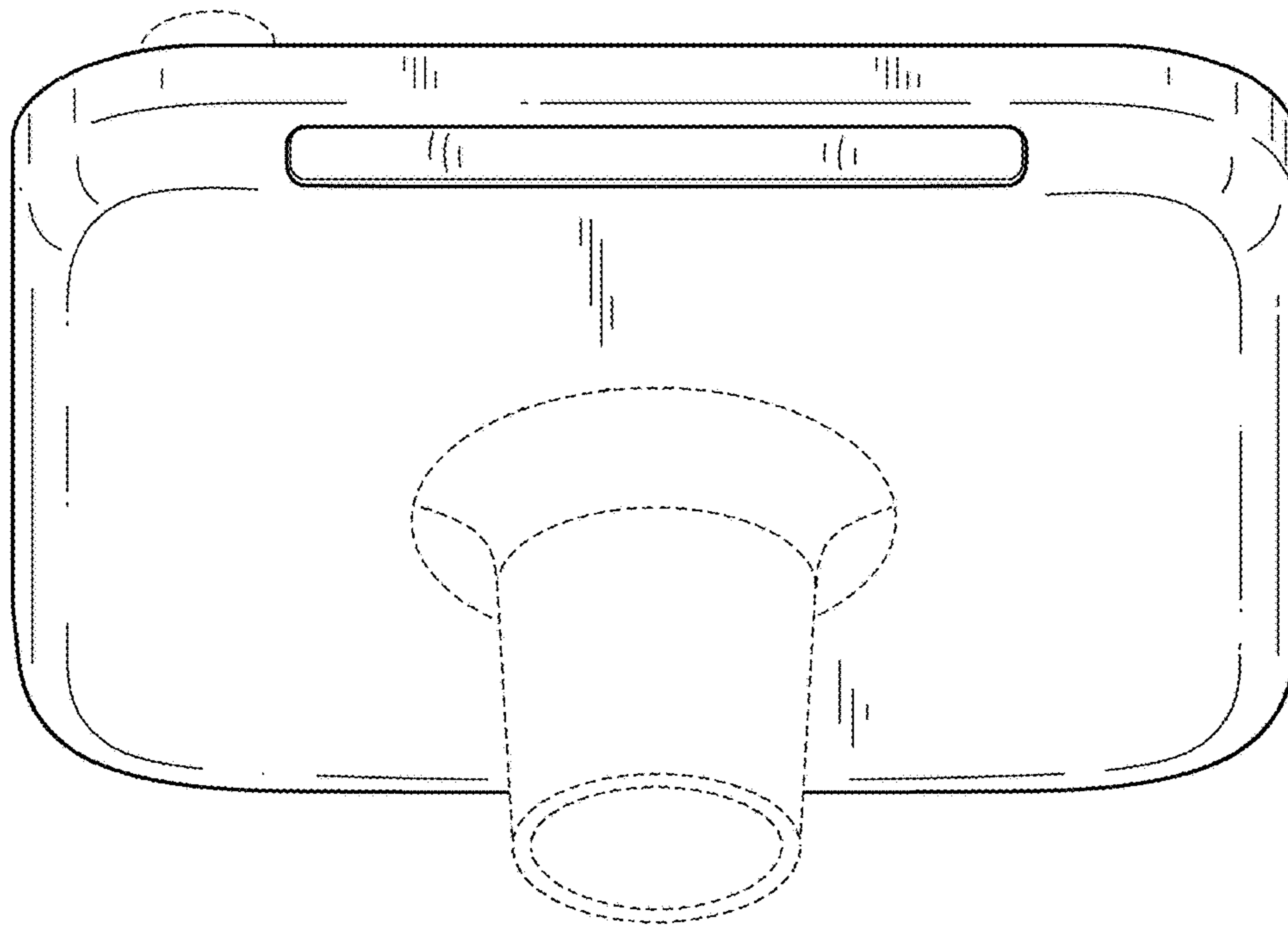


FIG. 8

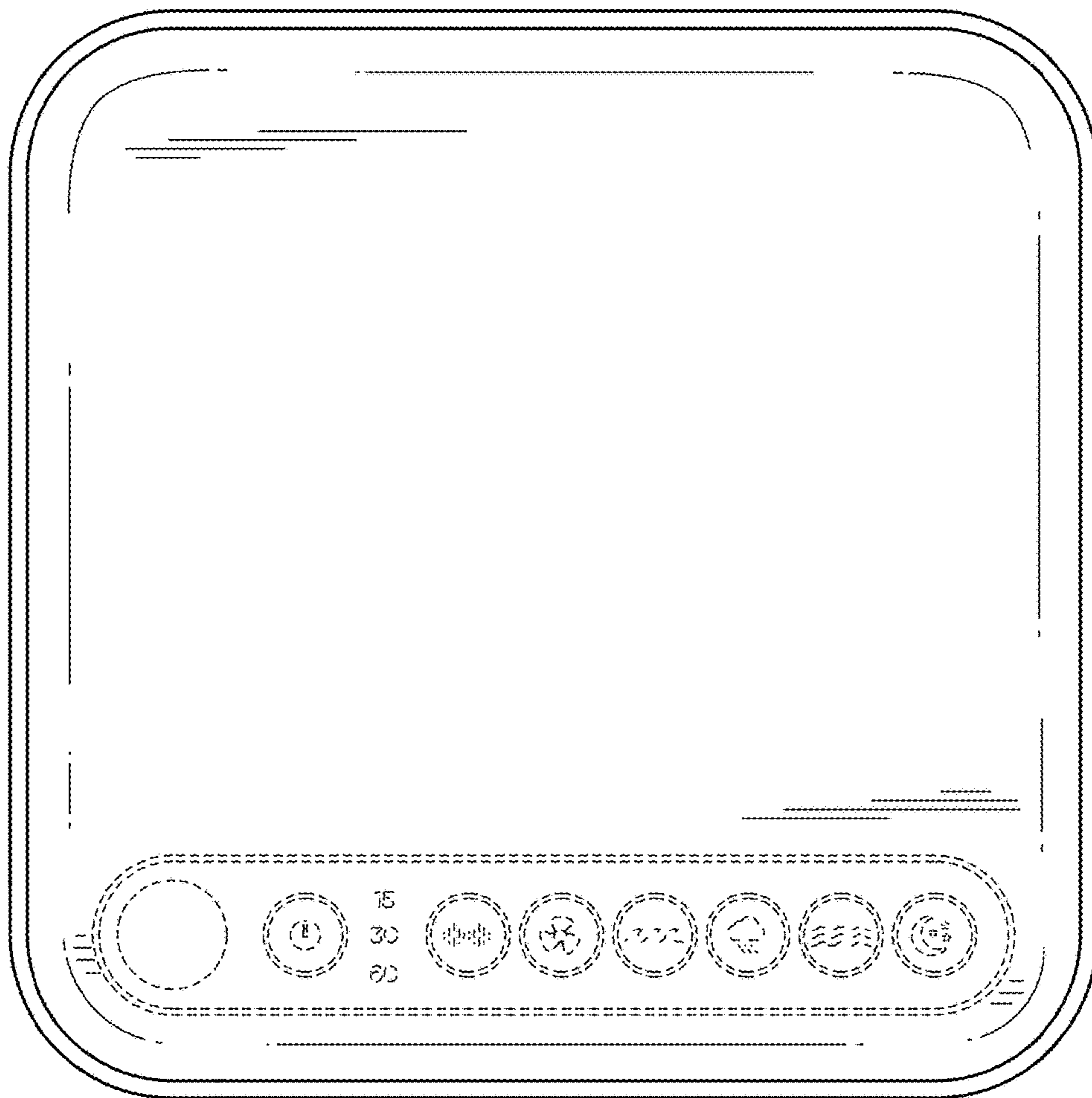


FIG. 9



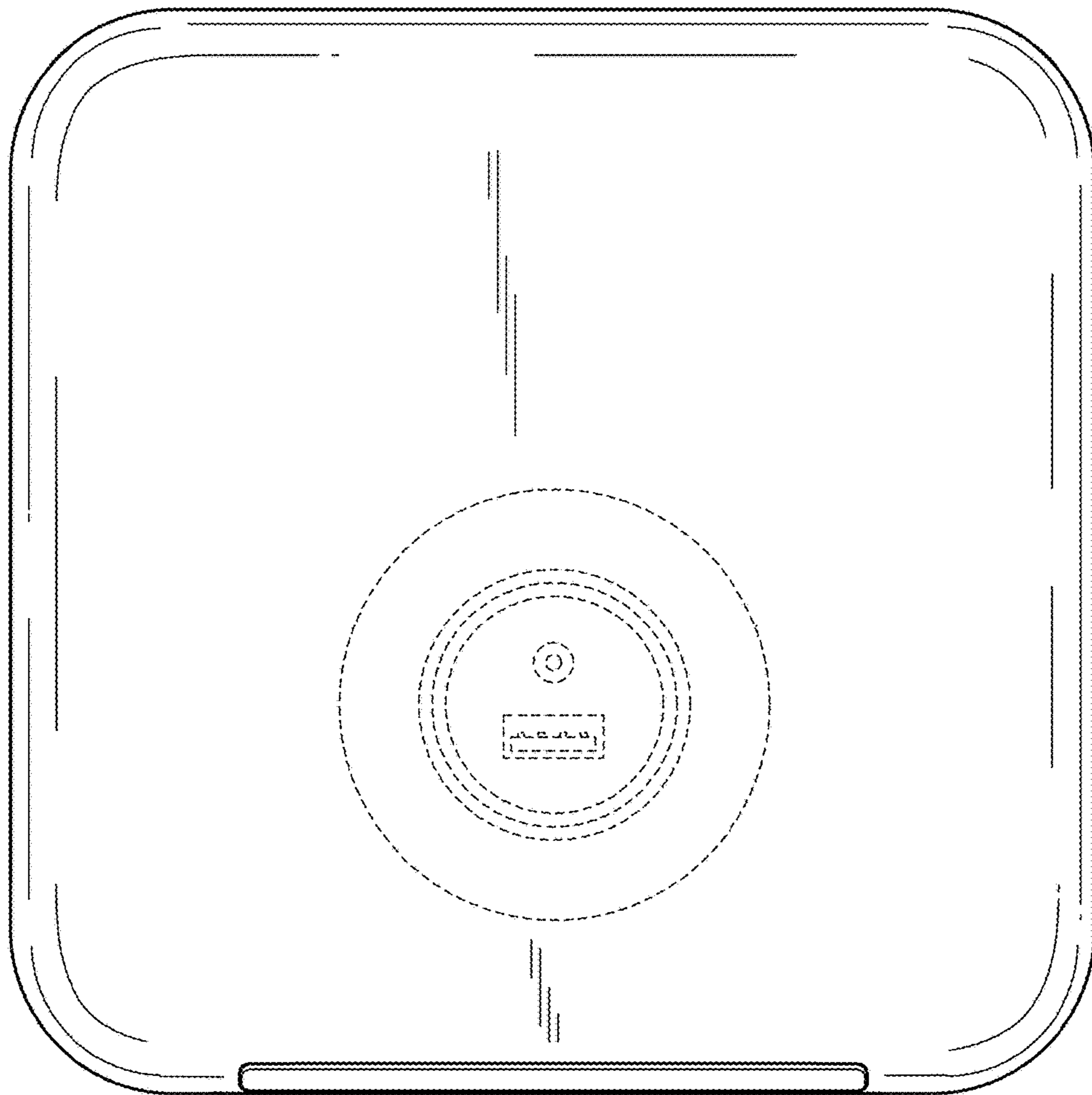


FIG. 10