



US00D857915S

(12) **United States Design Patent** (10) **Patent No.:** **US D857,915 S**  
**Sakai et al.** (45) **Date of Patent:** **\*\* Aug. 27, 2019**

(54) **CULTURE VESSELS**  
(71) Applicant: **IHI CORPORATION**, Tokyo (JP)  
(72) Inventors: **Shin-ichi Sakai**, Tokyo (JP); **Jun Tsujikawa**, Tokyo (JP)  
(73) Assignee: **IHI Corporation**, Tokyo (JP)  
(\*\*) Term: **15 Years**  
(21) Appl. No.: **35/505,071**  
(22) Filed: **Dec. 6, 2017**  
(80) **Hague Agreement Data**  
Int. Filing Date: **Dec. 6, 2017**  
Int. Reg. No.: **DM/098984**  
Int. Reg. Date: **Dec. 6, 2017**  
Int. Reg. Pub. Date: **Jun. 8, 2018**

(30) **Foreign Application Priority Data**  
Jun. 6, 2017 (JP) ..... 2017-012127  
Jun. 6, 2017 (JP) ..... 2017-012128  
Jun. 6, 2017 (JP) ..... 2017-012129  
(51) **LOC (12) Cl.** ..... **24-02**  
(52) **U.S. Cl.**  
USPC ..... **D24/224**  
(58) **Field of Classification Search**  
USPC ..... D24/216-230; D9/500, 504, 537, 558;  
D7/700

(Continued)  
(56) **References Cited**  
U.S. PATENT DOCUMENTS  
D205,678 S \* 9/1966 Williams ..... 141/340  
D205,893 S \* 10/1966 Weichselbaum ..... D24/224  
(Continued)

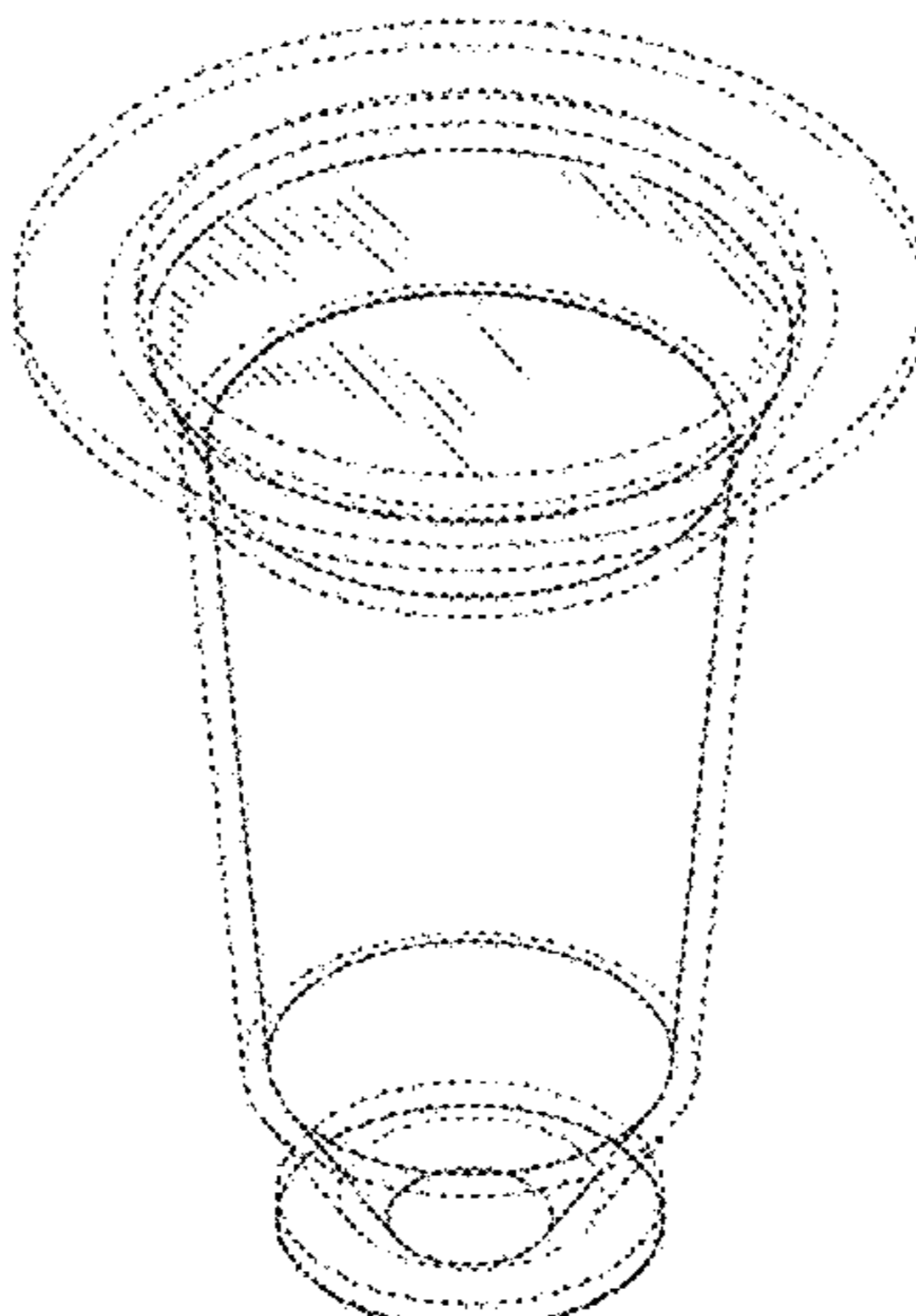
*Primary Examiner* — Sheryl Lane  
*Assistant Examiner* — Calvin E Vasant

(74) *Attorney, Agent, or Firm* — Volpe and Koenig, P.C.  
(57) **CLAIM**  
The ornamental design for a culture vessel, as shown and described.

**DESCRIPTION**  
1.-3. Culture vessels  
1.1 : Top perspective view  
1.2 : Bottom perspective view  
1.3 : Front  
1.4 : Back  
1.5 : Top  
1.6 : Bottom  
1.7 : Left  
1.8 : Right  
1.9 : Sectional view  
1.10 : Reference view  
2.1 : Top perspective view  
2.2 : Bottom perspective view  
2.3 : Front  
2.4 : Back  
2.5 : Top  
2.6 : Bottom  
2.7 : Left  
2.8 : Right  
2.9 : Sectional view  
2.10 : Reference view  
3.1 : Top perspective view  
3.2 : Bottom perspective view  
3.3 : Front  
3.4 : Back  
3.5 : Top  
3.6 : Bottom  
3.7 : Left  
3.8 : Right  
3.9 : Sectional view  
3.10 : Reference view

Designs 1, 2 and 3: these articles are culture vessels used in culture apparatus for culturing cells such as those of animals and plants; the parts shown as solid lines are parts for which design registration is sought; the broken lines depict environmental subject matter only, and form no part of the

(Continued)



claimed designs; lines consisting of alternating long and short dashes in the drawings are used to distinguish the inventive design claimed herein from unclaimed parts; these articles are transparent; the surfaces of these articles are transparent surfaces through which objects on the other side of such transparent surfaces are distinctly seen; the diagonal surface shading lines indicate that the surfaces of the claimed designs are transparent; the inside surfaces shown as solid lines may be seen through the outside surfaces that form no part of the claimed design because the outside surfaces are transparent; design 1: reproduction 1.9 is a cross-sectional view through the center of reproduction 1.3; reproduction 1.10 is a reference sectional view showing state in use; Design 2: reproduction 2.9 is a cross-sectional view through the center of reproduction 2.3; reproduction 2.10 is a reference sectional view showing state in use; design 3: reproduction 3.9 is a cross-sectional view through the center of reproduction 3.3; reproduction 3.10 is a reference sectional view showing state in use.

**1 Claim, 30 Drawing Sheets**

(58) **Field of Classification Search**

CPC ..... C12M 23/04; C12M 23/06; C12M 23/08;

G01N 21/03; G01N 2021/0303; G01N 2021/0321; G01N 2021/0339; G01N 2021/0378; B01L 3/508

See application file for complete search history.

(56)

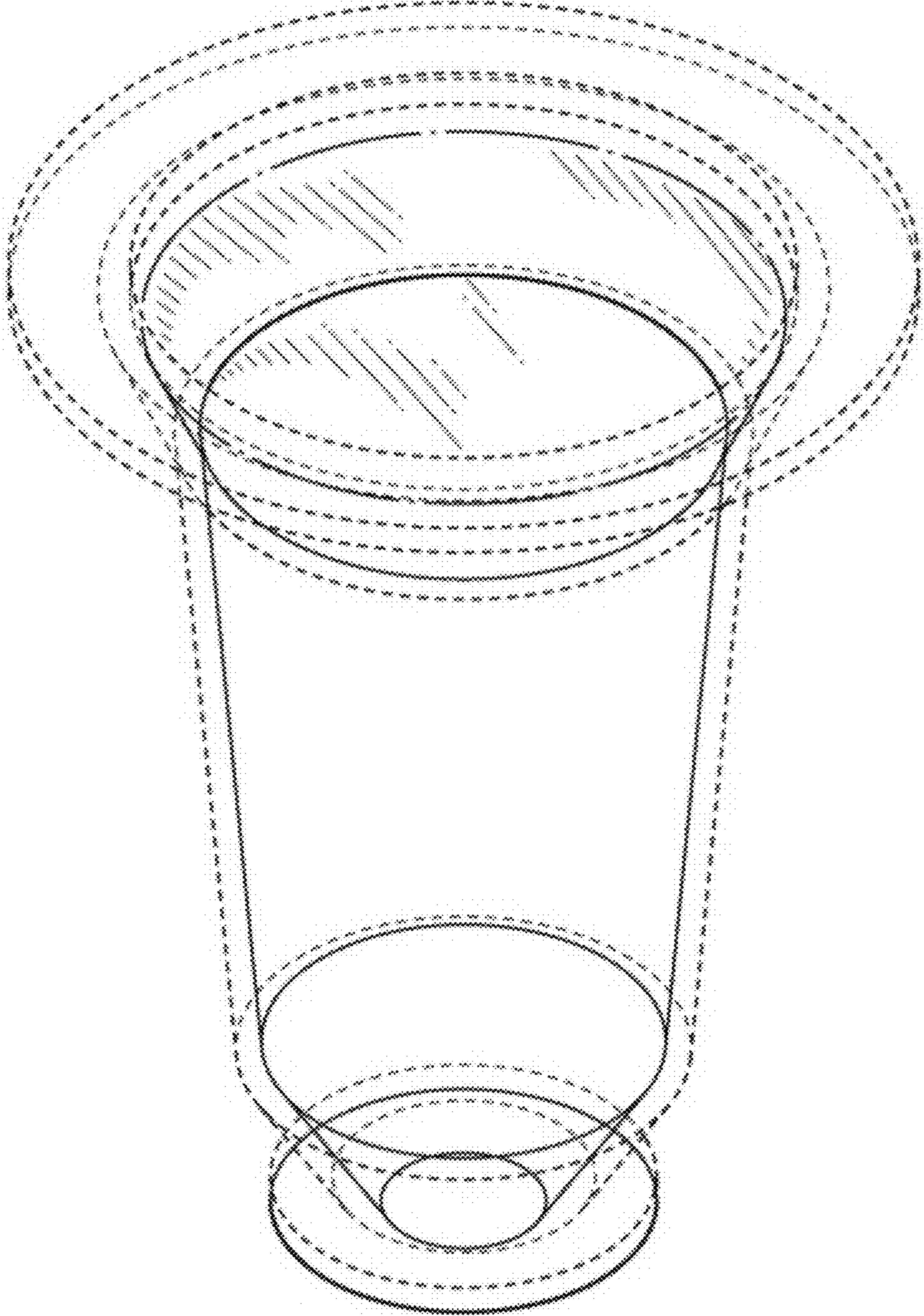
**References Cited**

U.S. PATENT DOCUMENTS

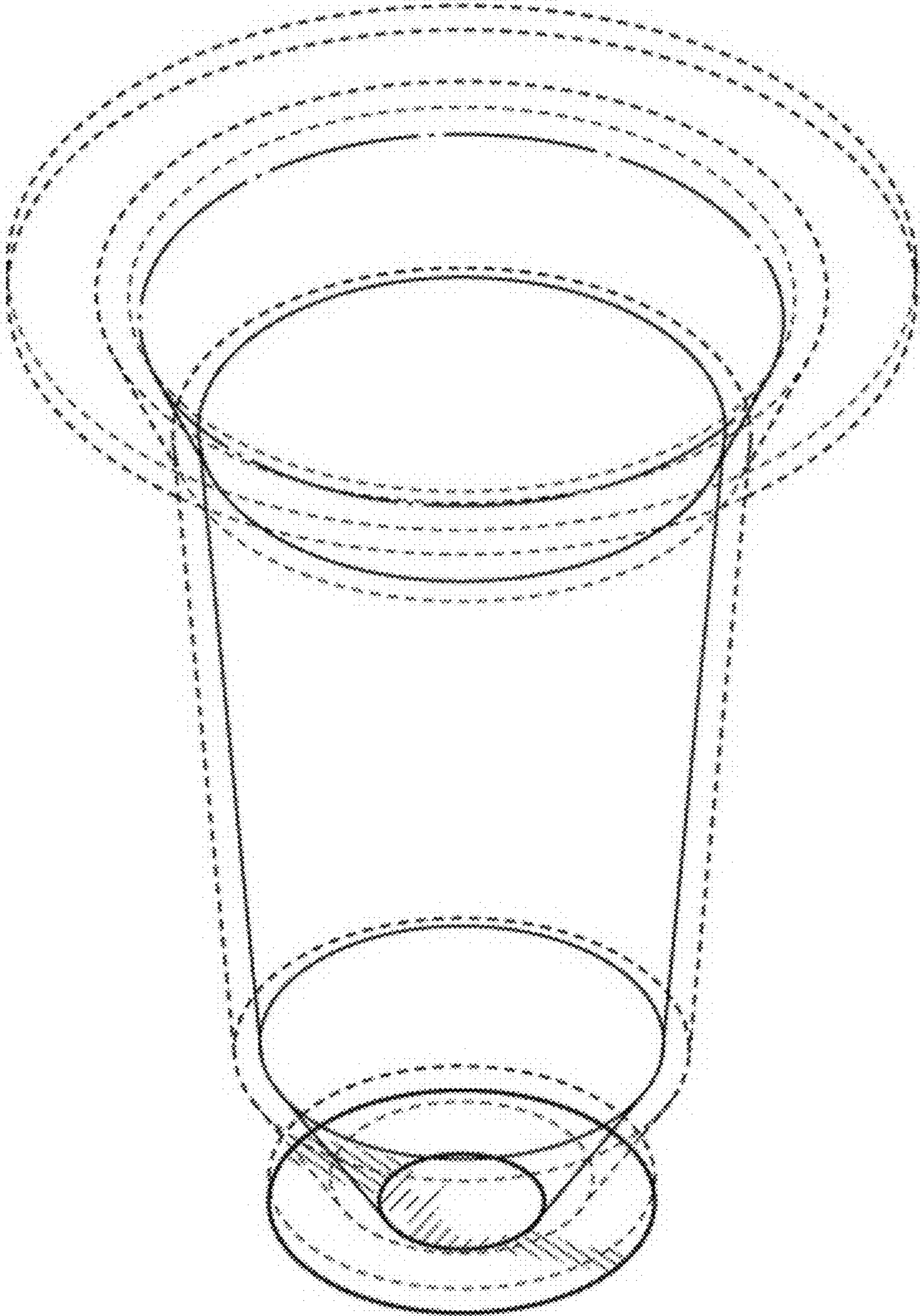
D435,104	S	*	12/2000	Urueta	.....	D24/144
D538,925	S	*	3/2007	Ward	.....	D24/108
D541,116	S	*	4/2007	Upham	.....	D7/700
D548,329	S	*	8/2007	Cimino	.....	D24/108
D568,747	S	*	5/2008	Sequeira	.....	D9/500
D615,399	S	*	5/2010	Bran	.....	D9/436
D629,269	S	*	12/2010	Okamoto	.....	D7/700
D629,916	S	*	12/2010	Lodge	.....	D24/224
D705,064	S	*	5/2014	Sy	.....	D11/154
D716,965	S	*	11/2014	Fruscella	.....	D24/224
D724,755	S	*	3/2015	Wainwright	.....	D24/223
D772,025	S	*	11/2016	Salzl	.....	D7/700
D773,683	S	*	12/2016	Kuroda	.....	D24/224
D797,503	S	*	9/2017	Robotti	.....	D7/400
D815,925	S	*	4/2018	Rapparini	.....	D9/500
D839,446	S	*	1/2019	Sasano	.....	D24/224
2014/0050619	A1	*	2/2014	Meller	.....	B01L 3/5082 422/63

\* cited by examiner

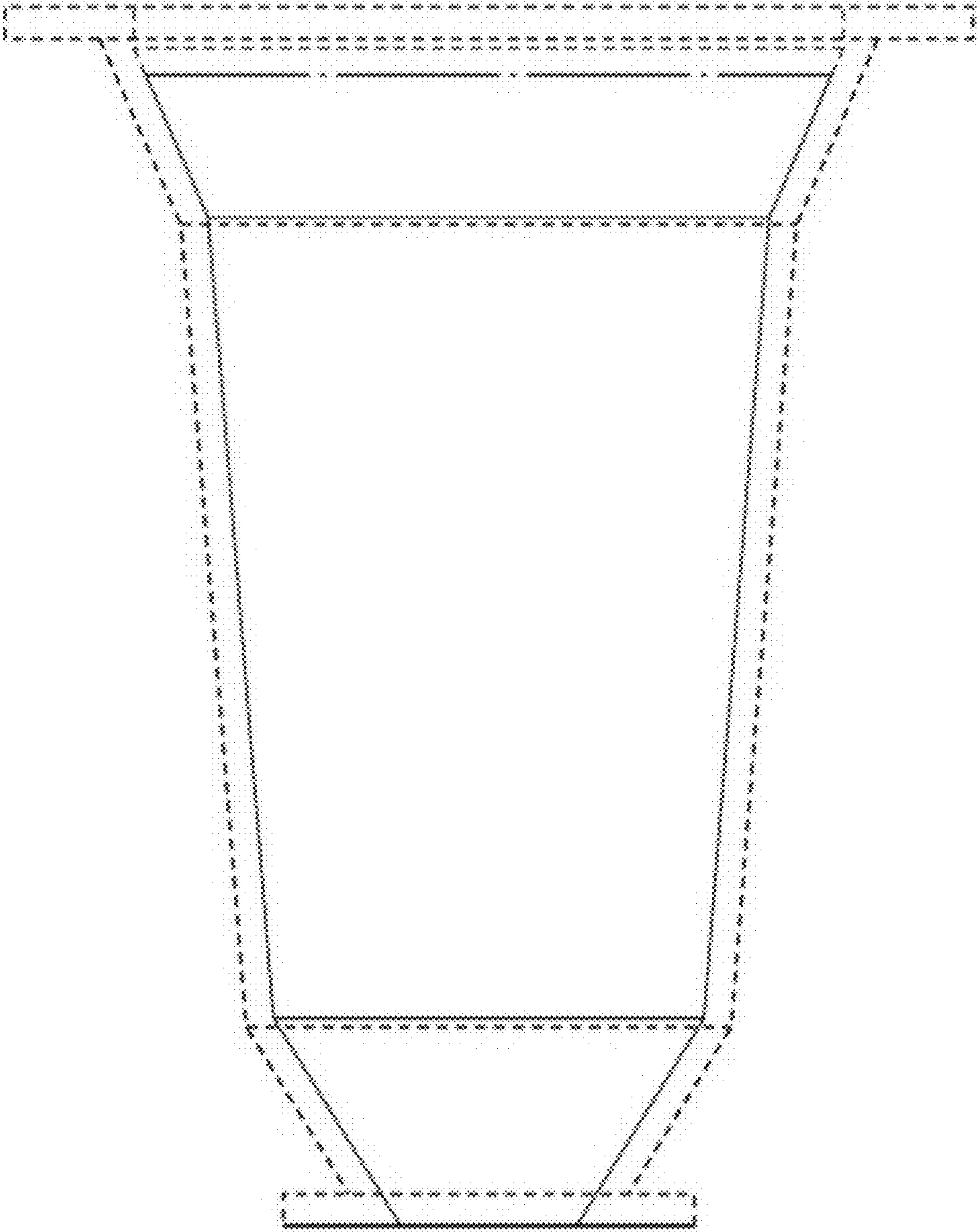
**1.1**



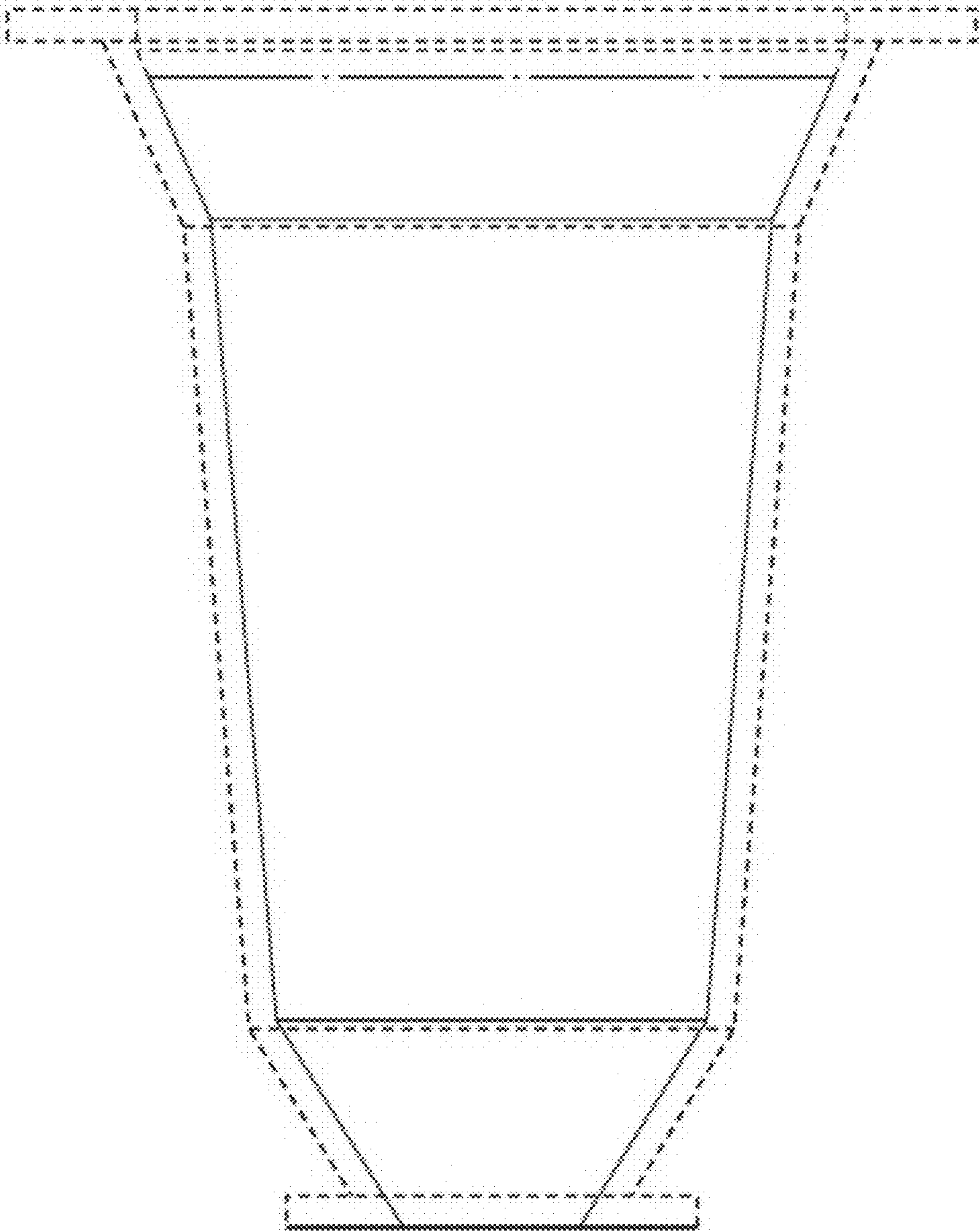
1.2



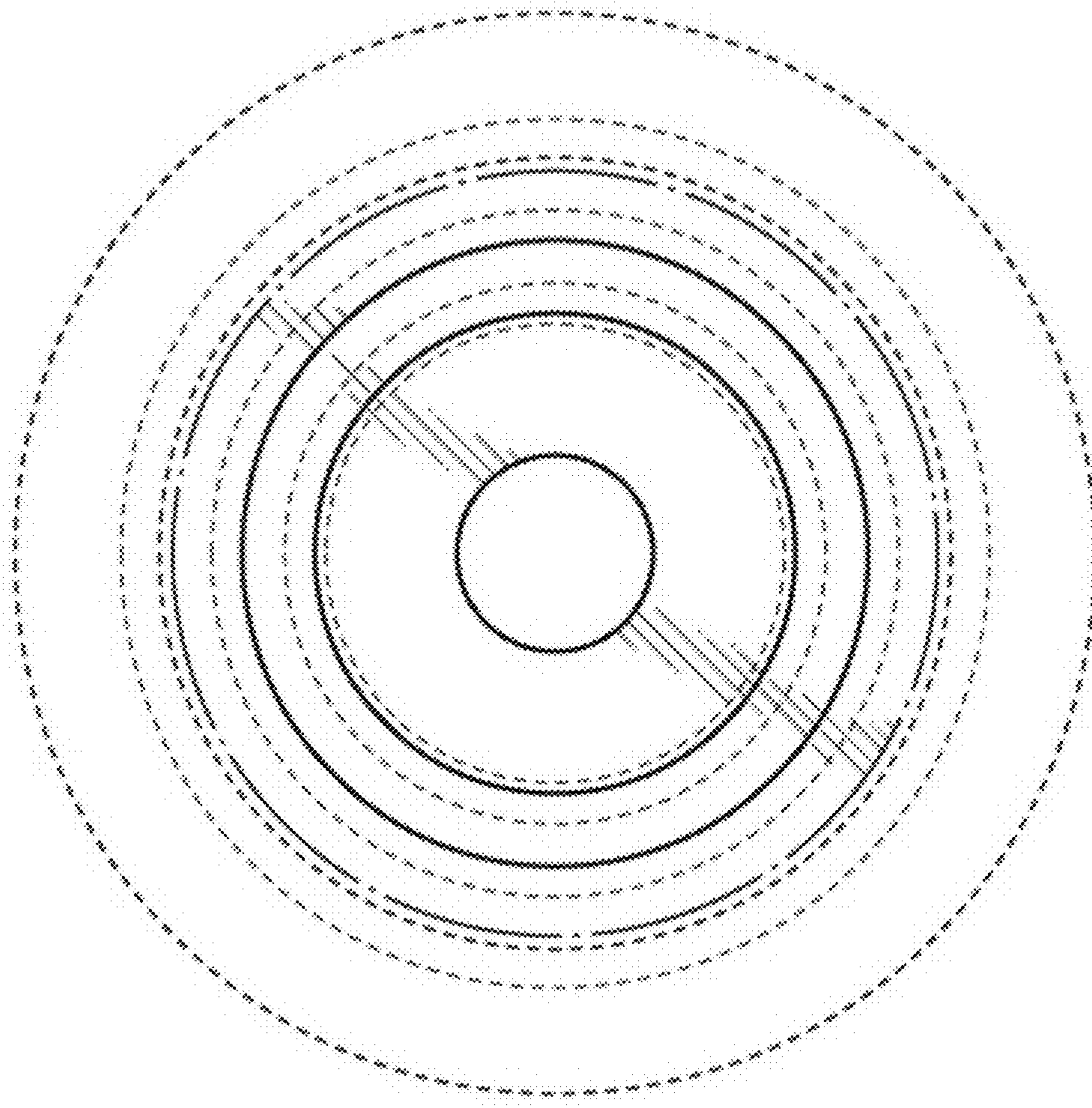
1.3



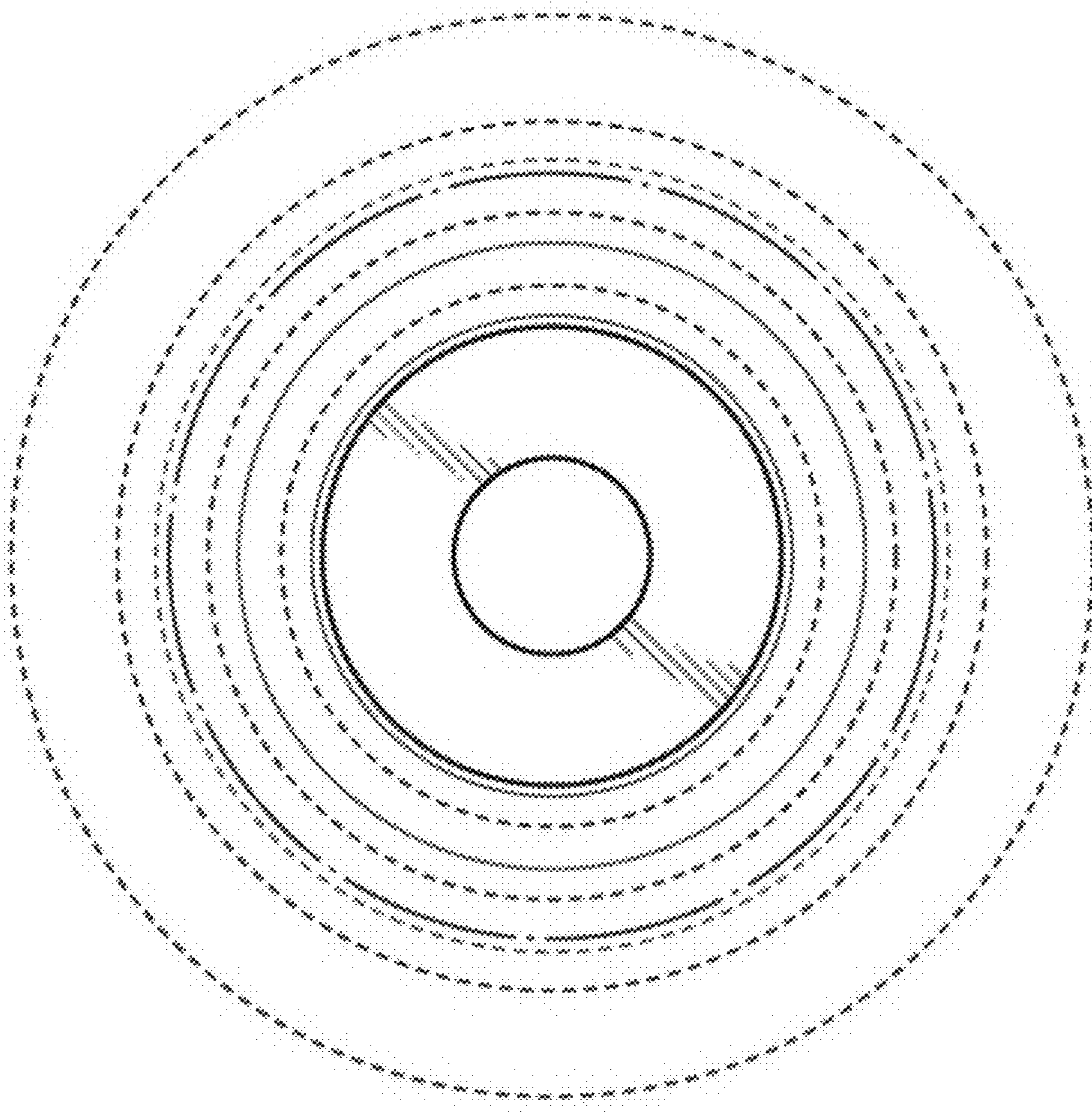
1.4



**1.5**

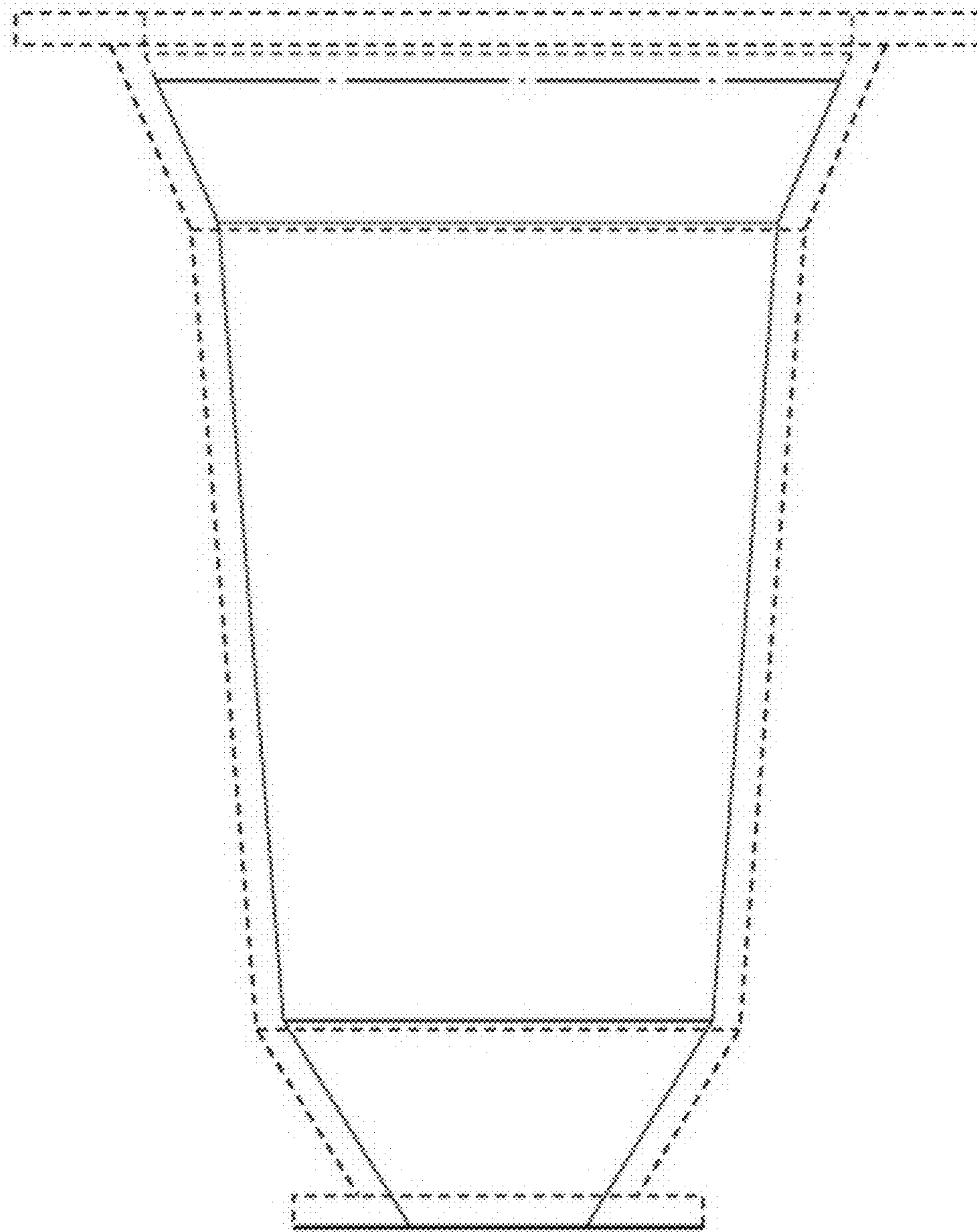


1.6

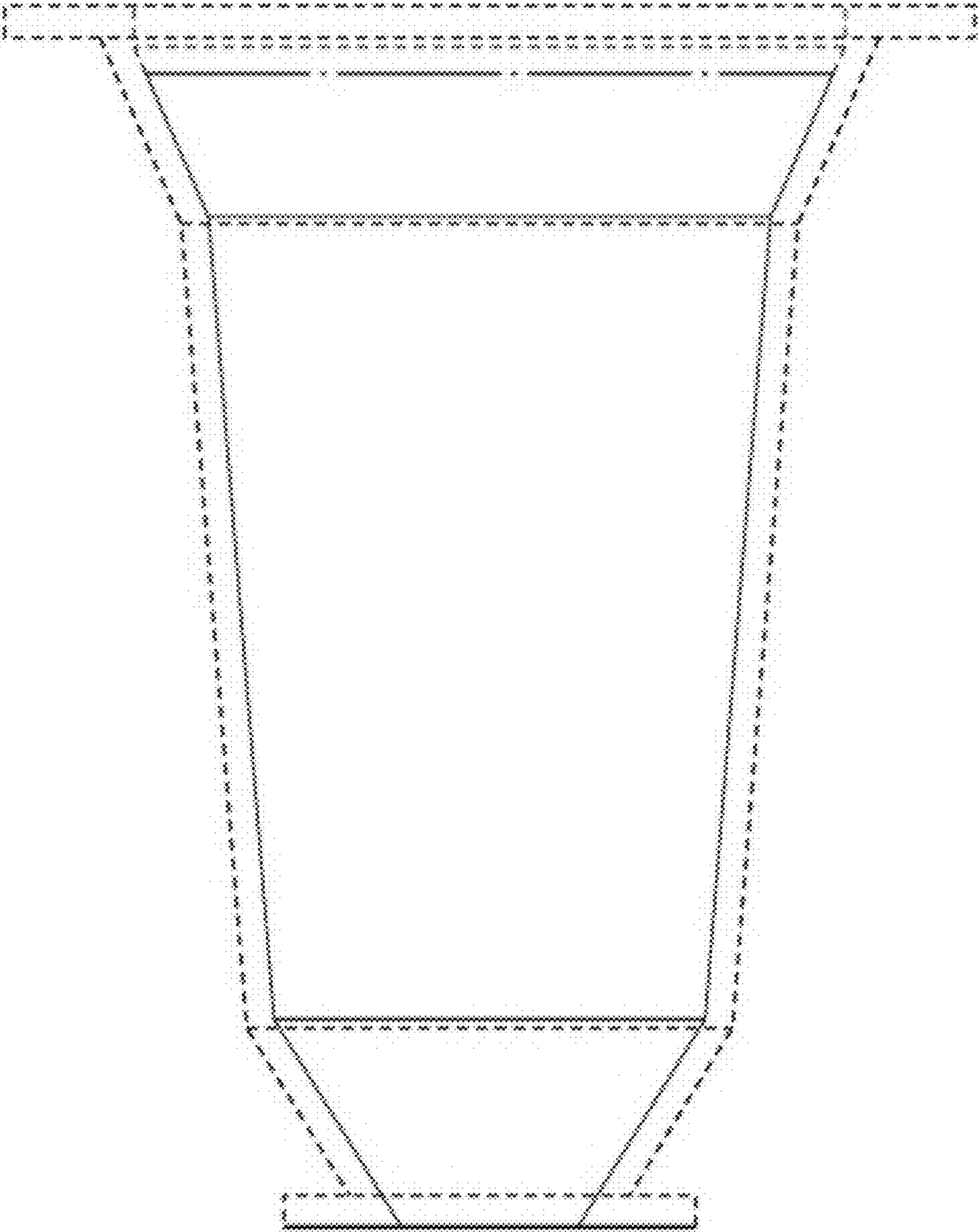




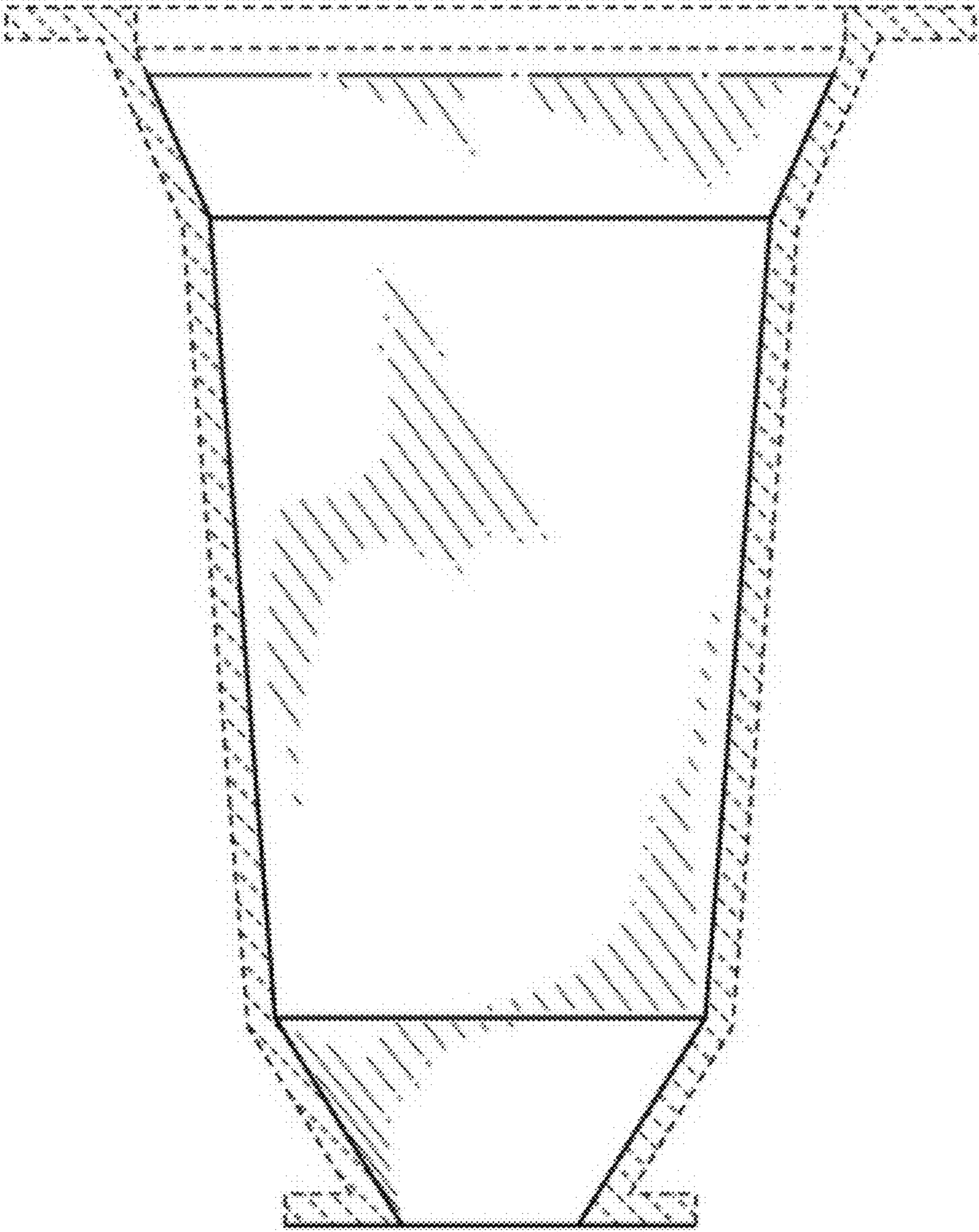
1.7



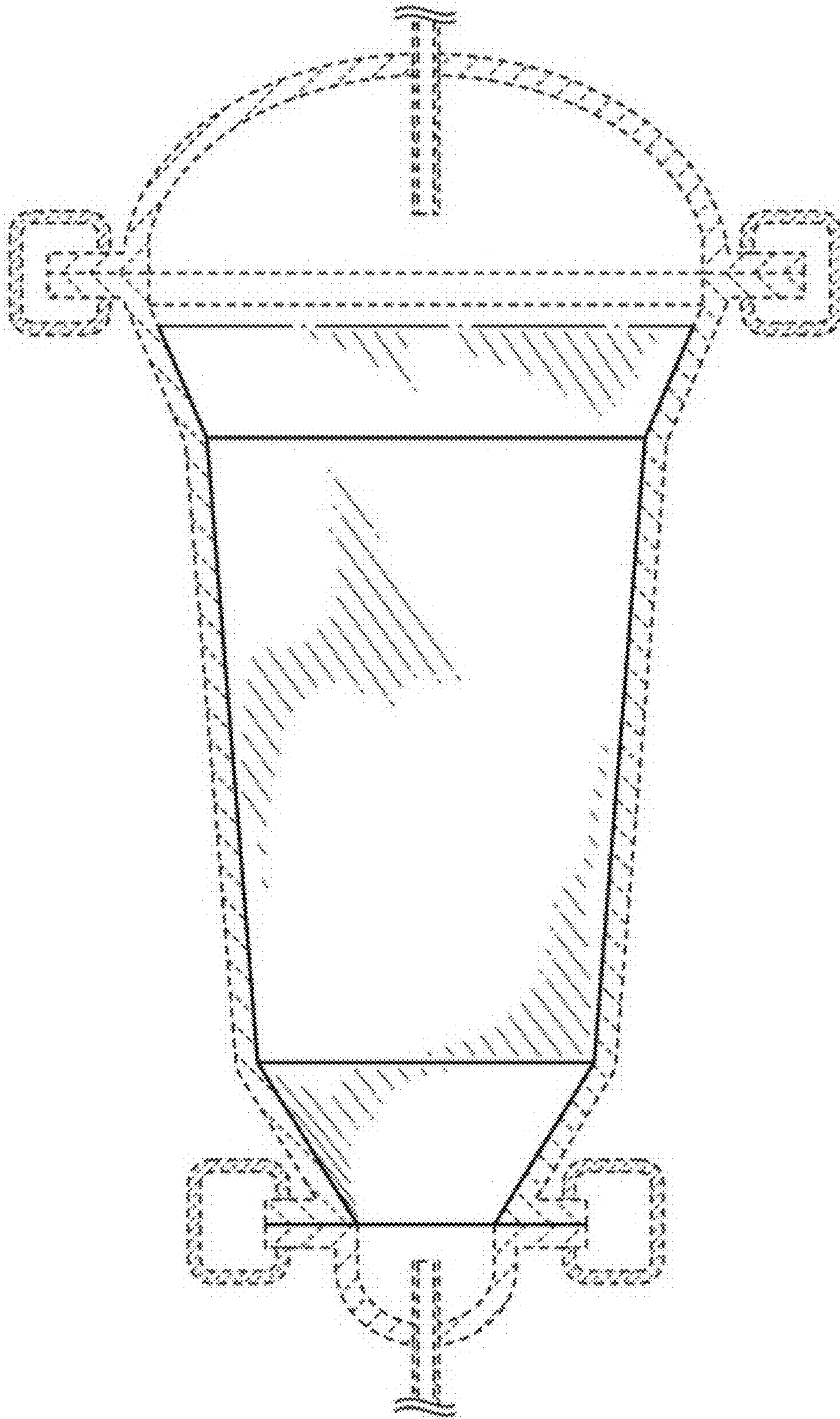
1.8



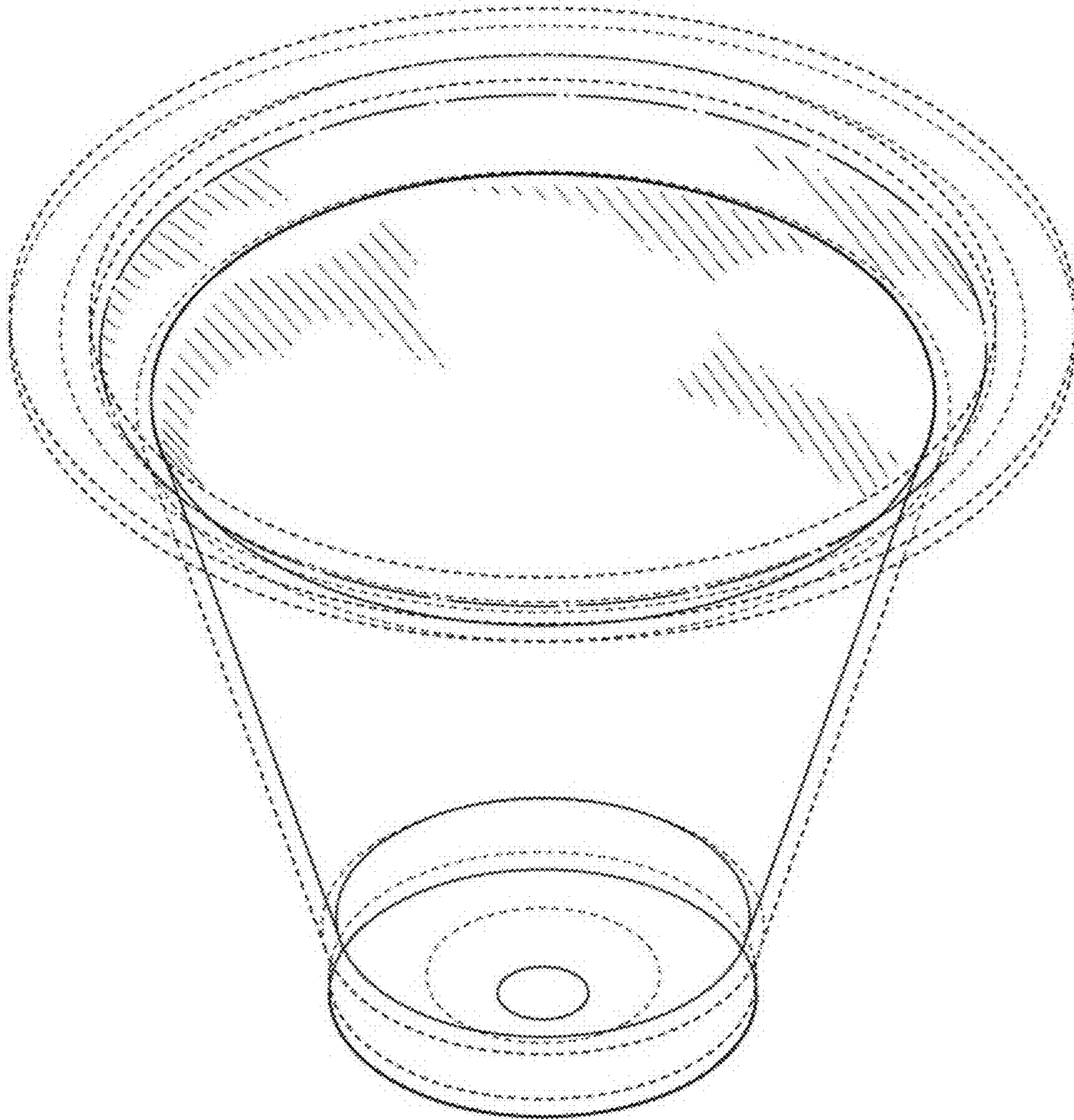
1.9



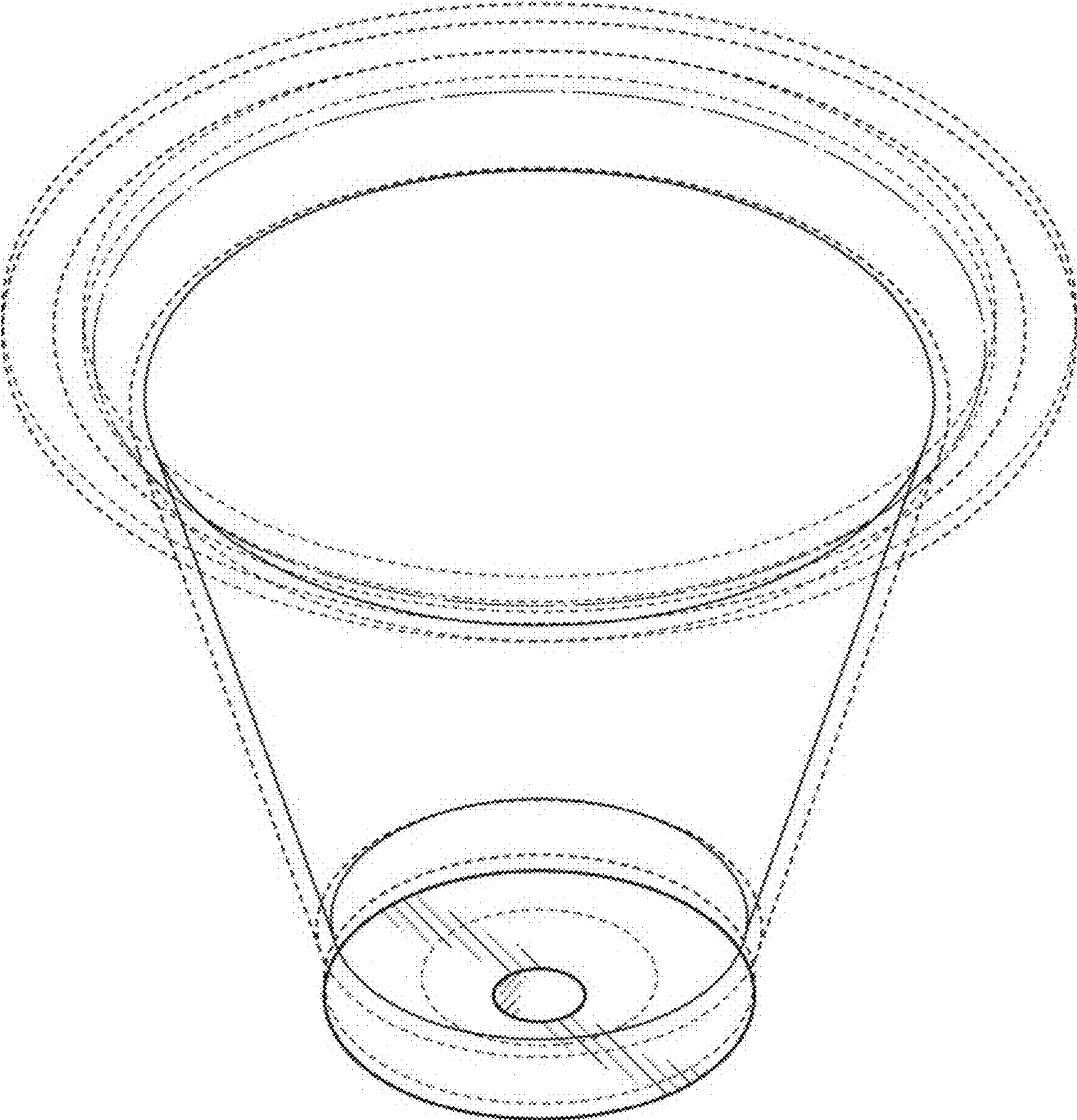
1.10



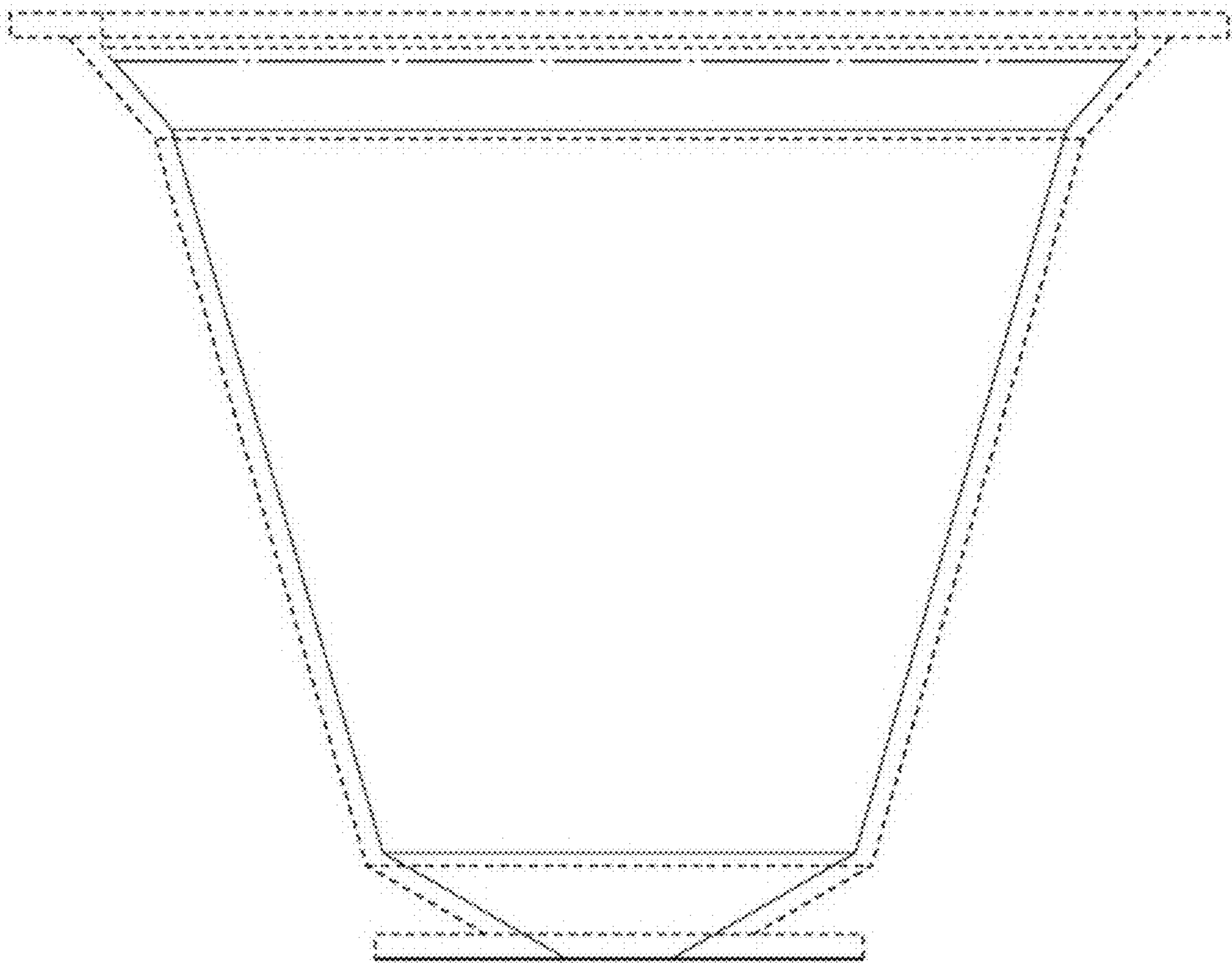
2.1



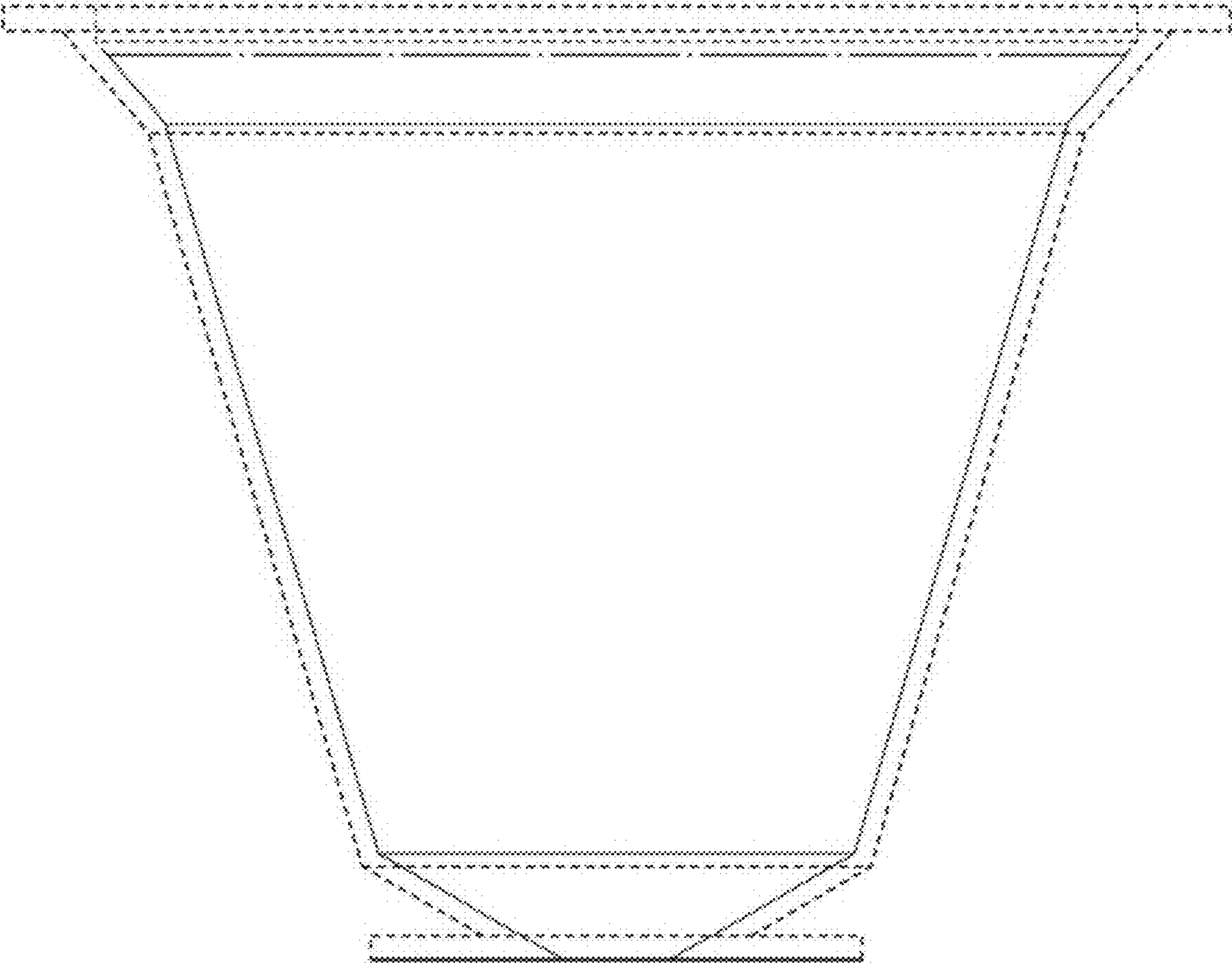
2.2



2.3

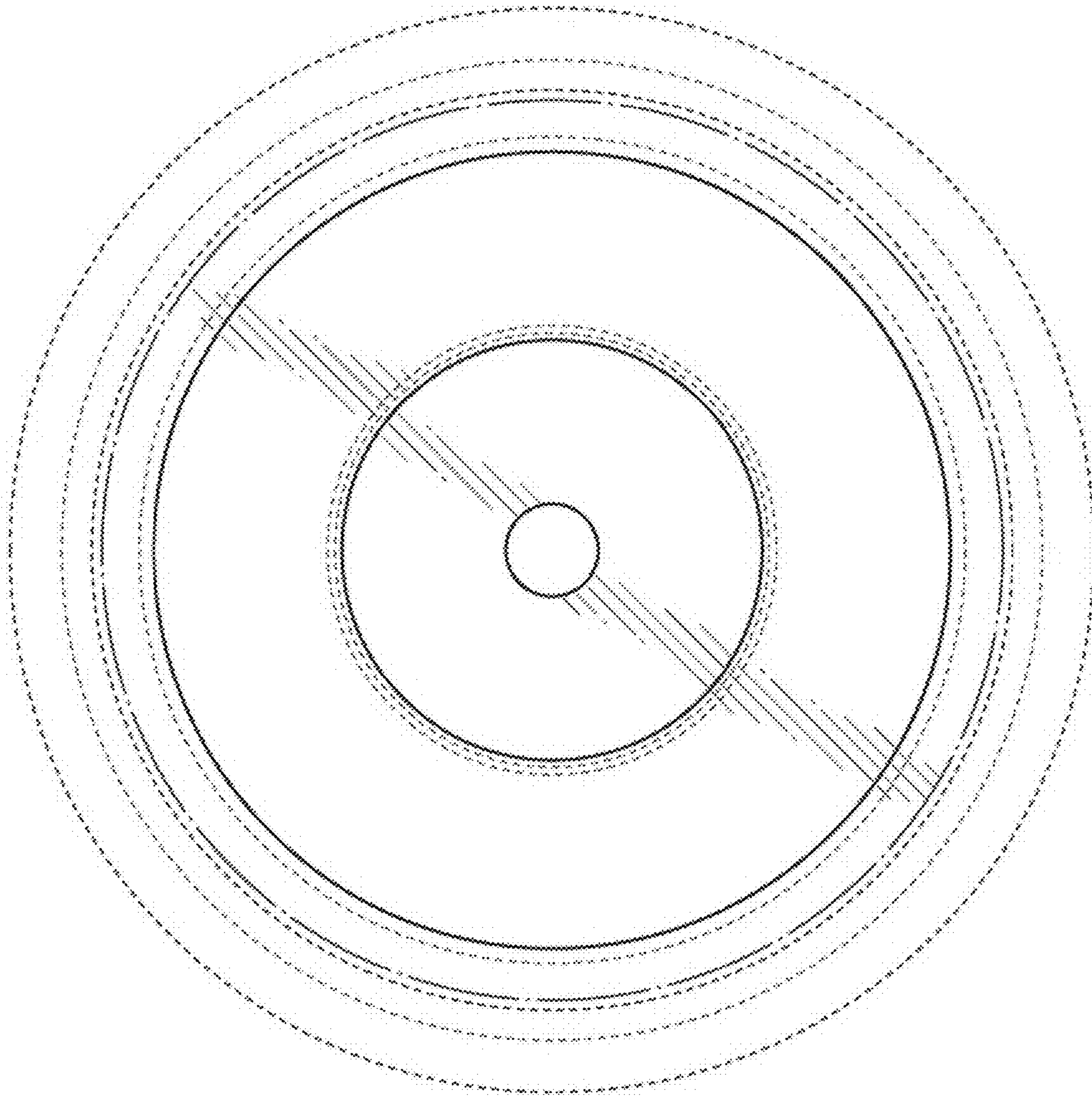


2.4

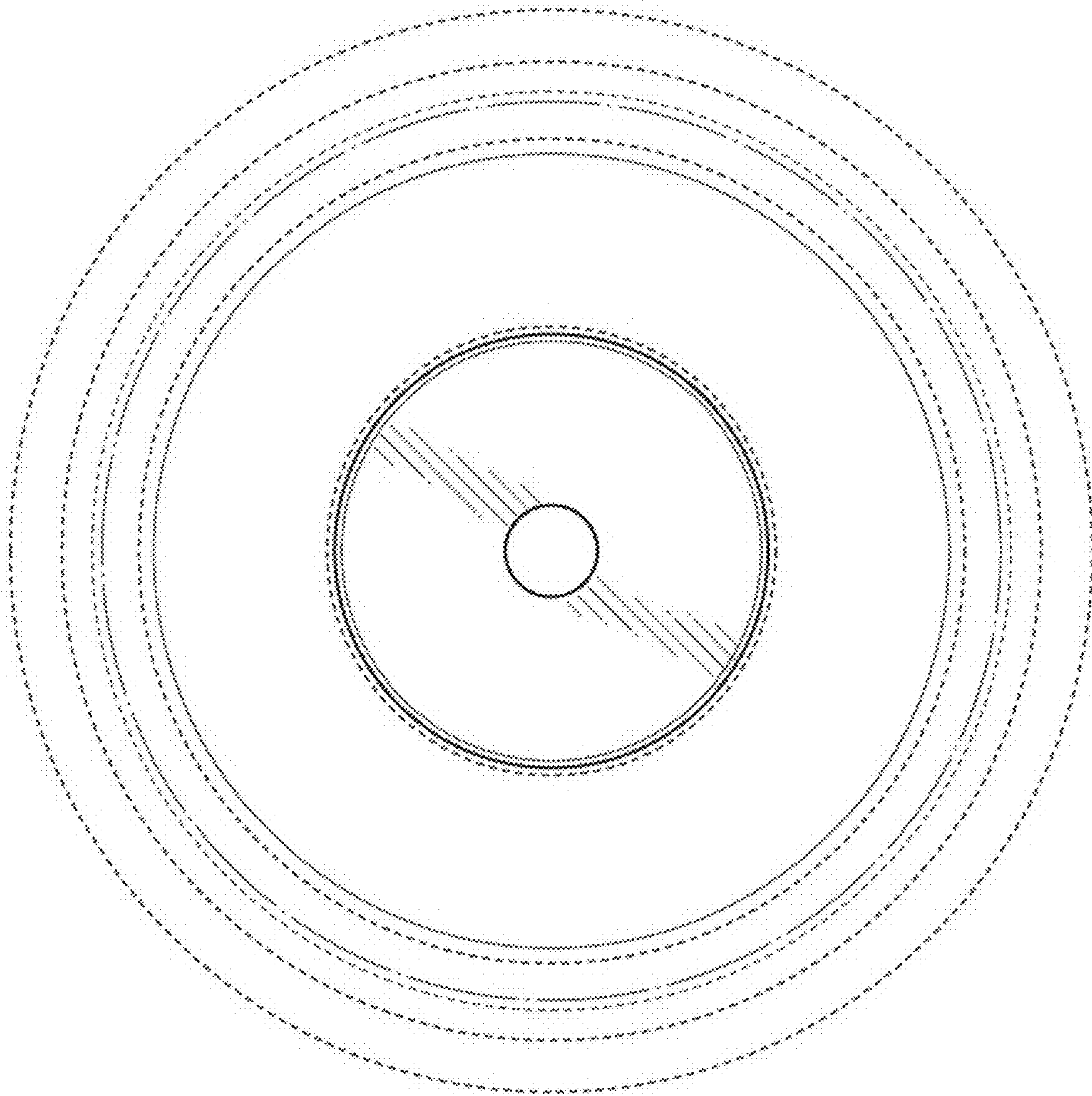




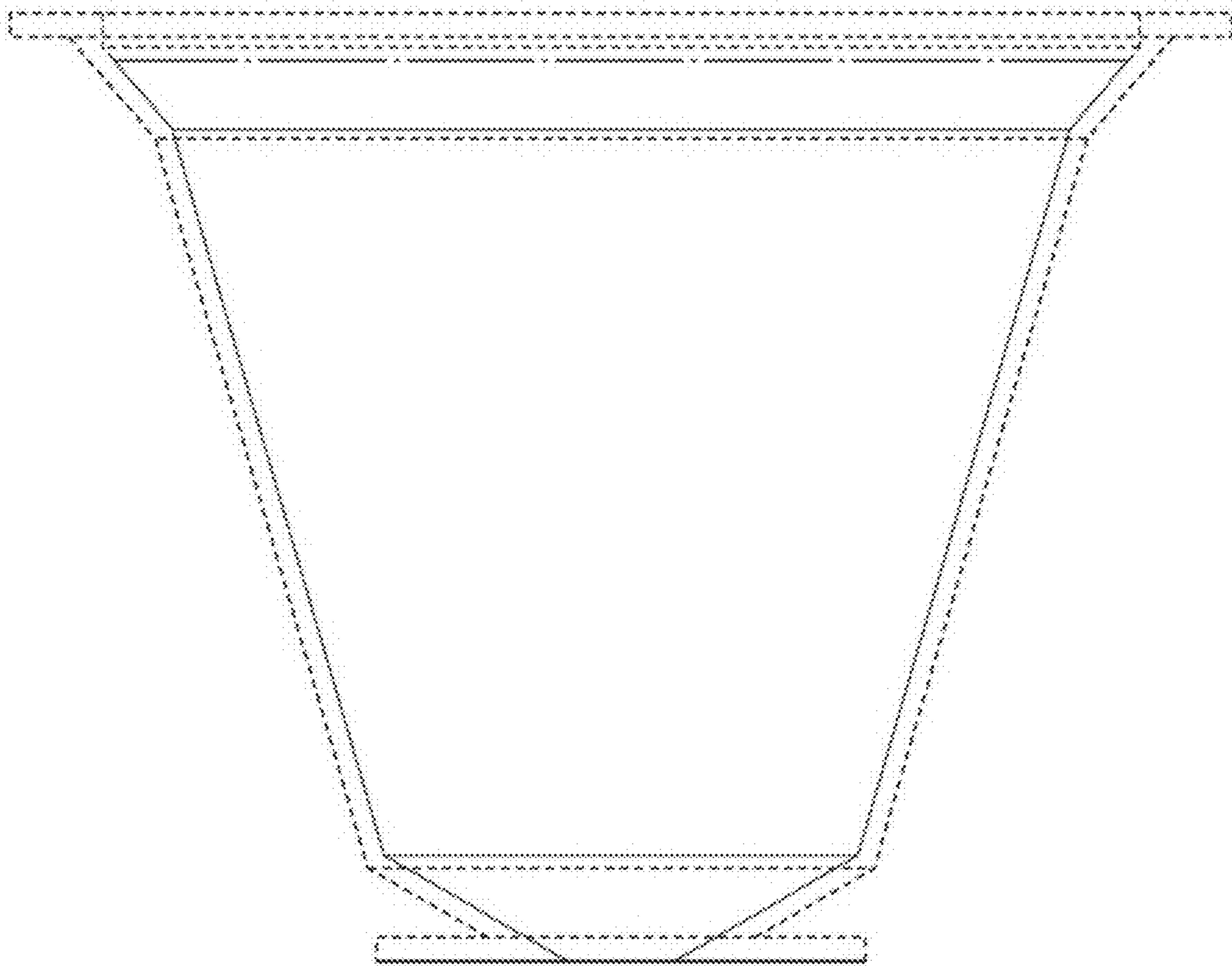
2.5



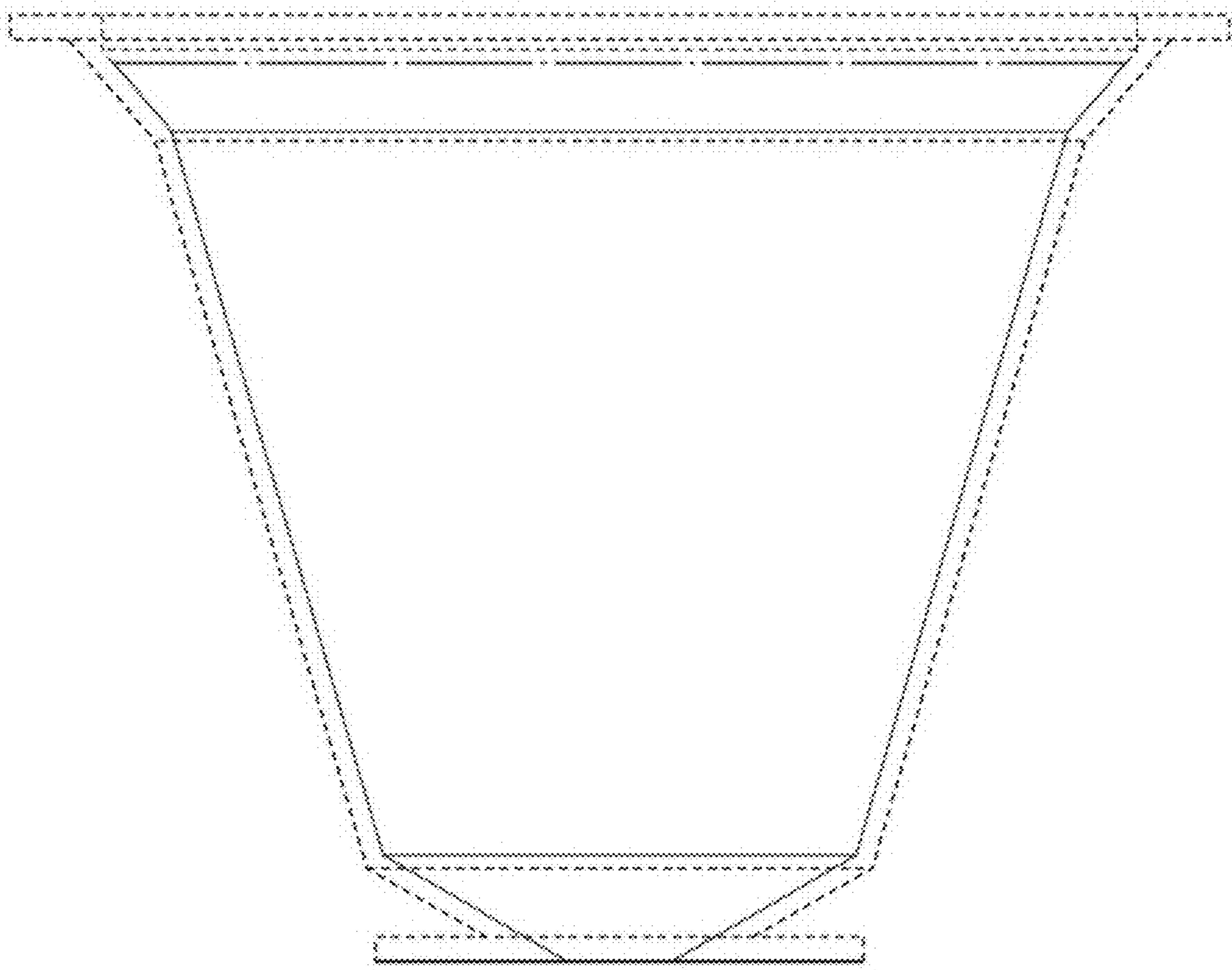
2.6



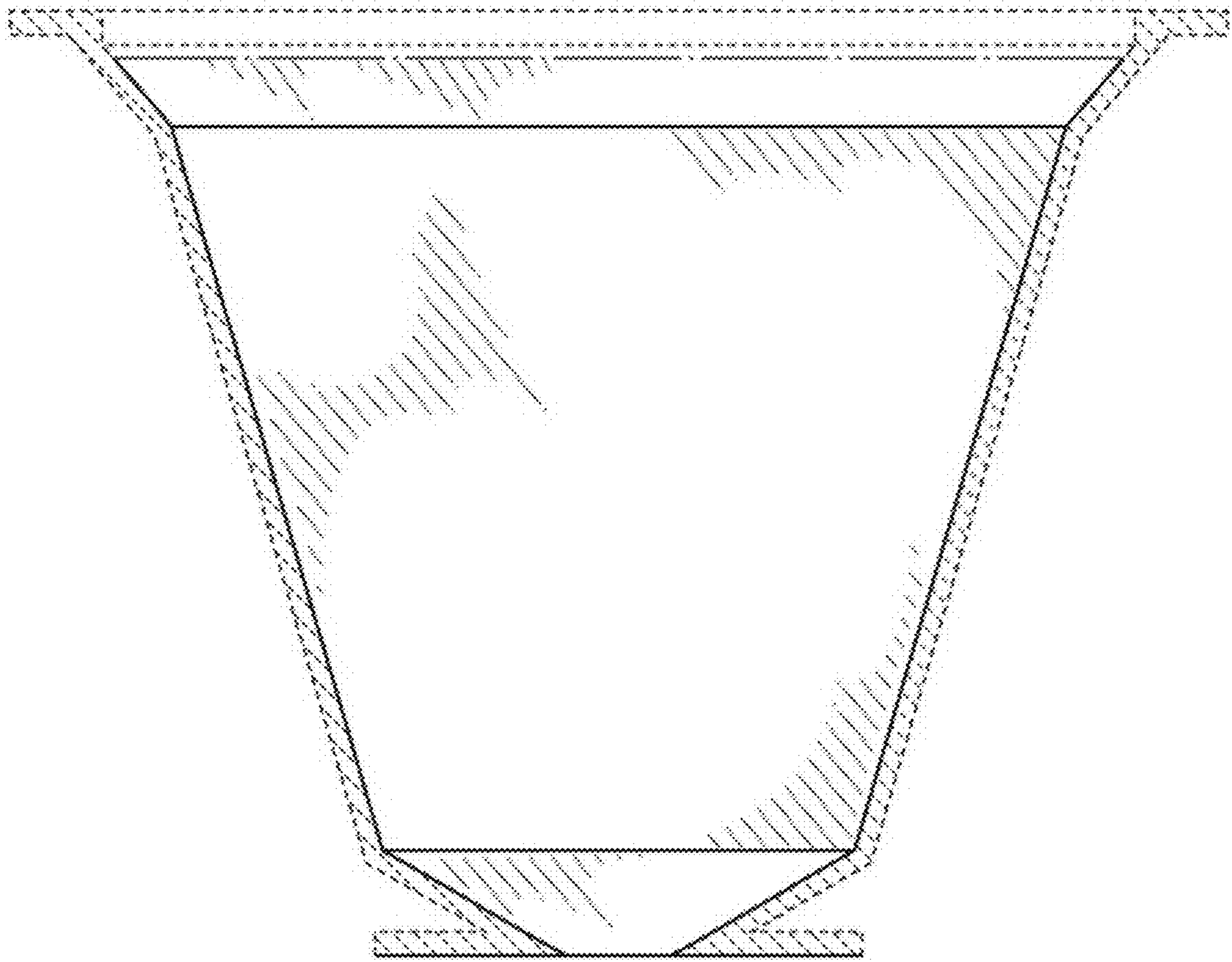
2.7



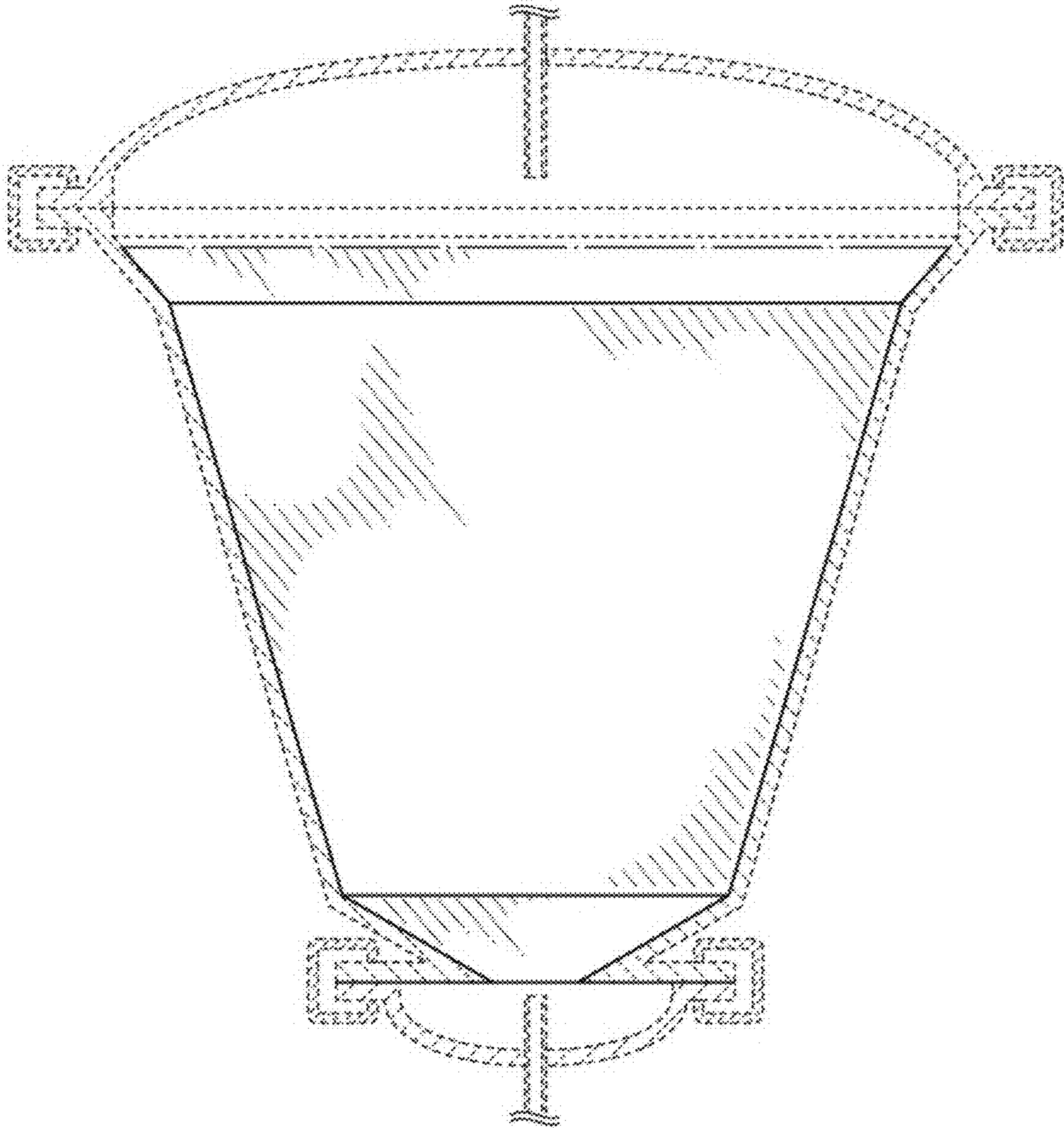
2.8



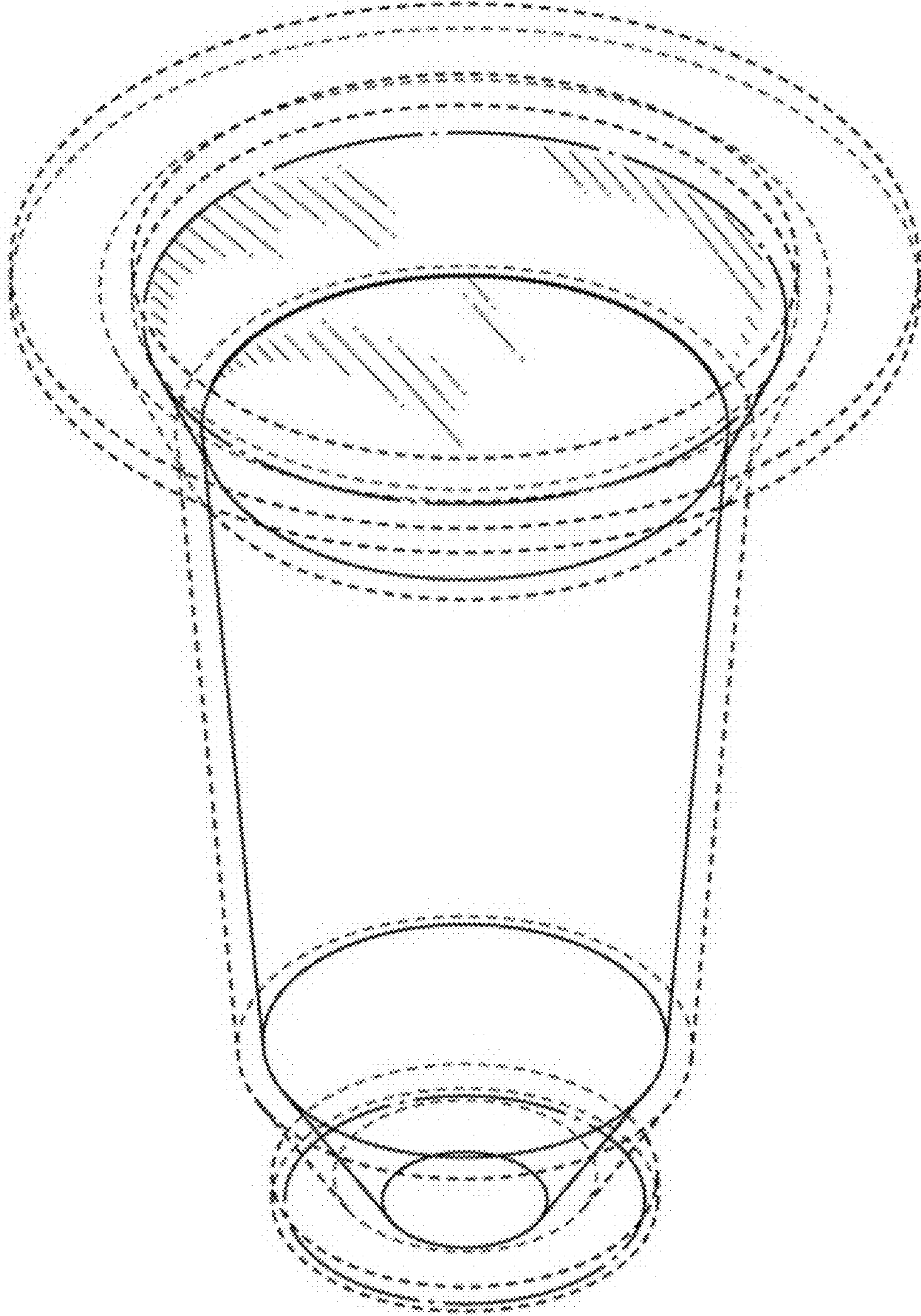
2.9



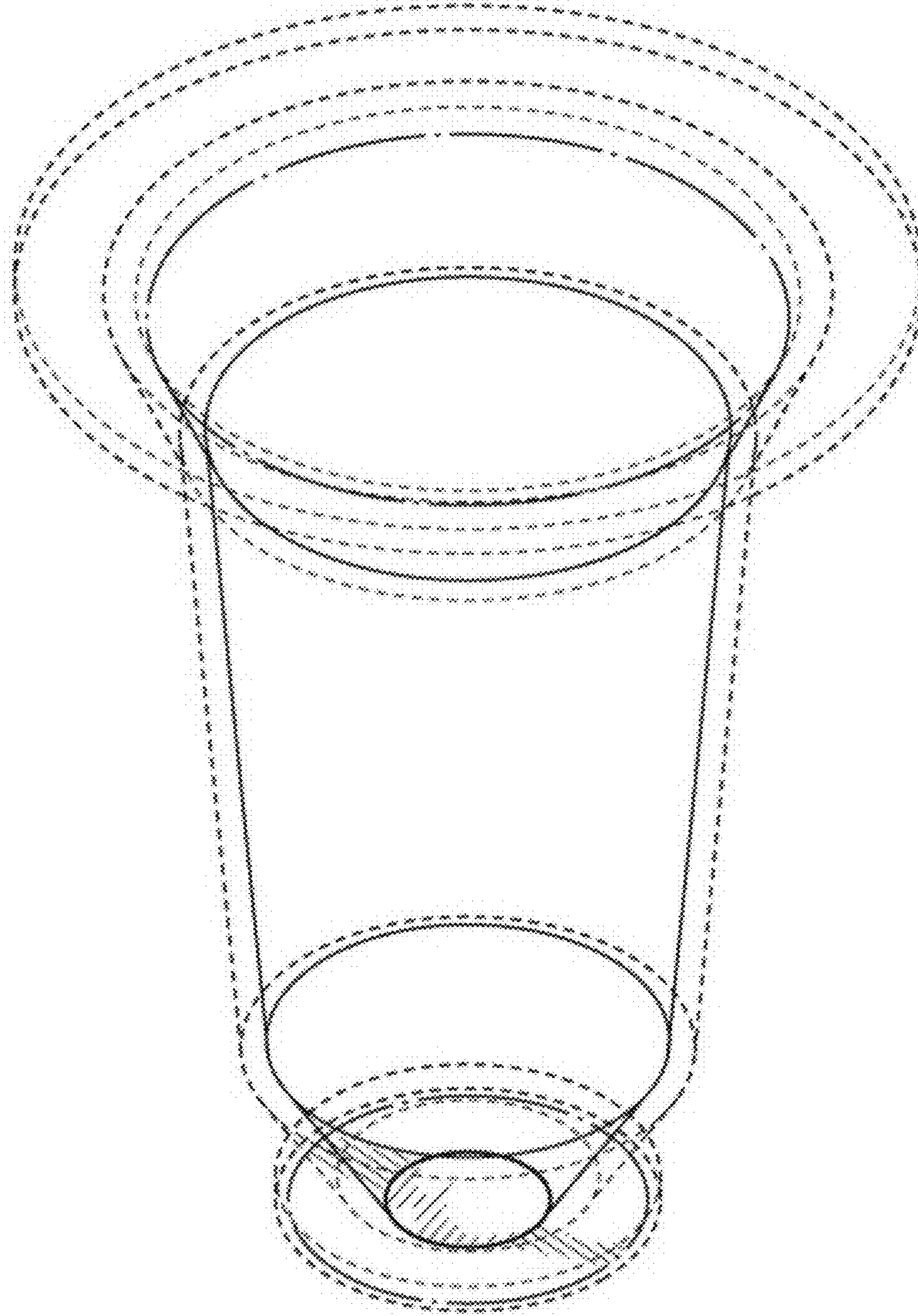
2.10



3.1

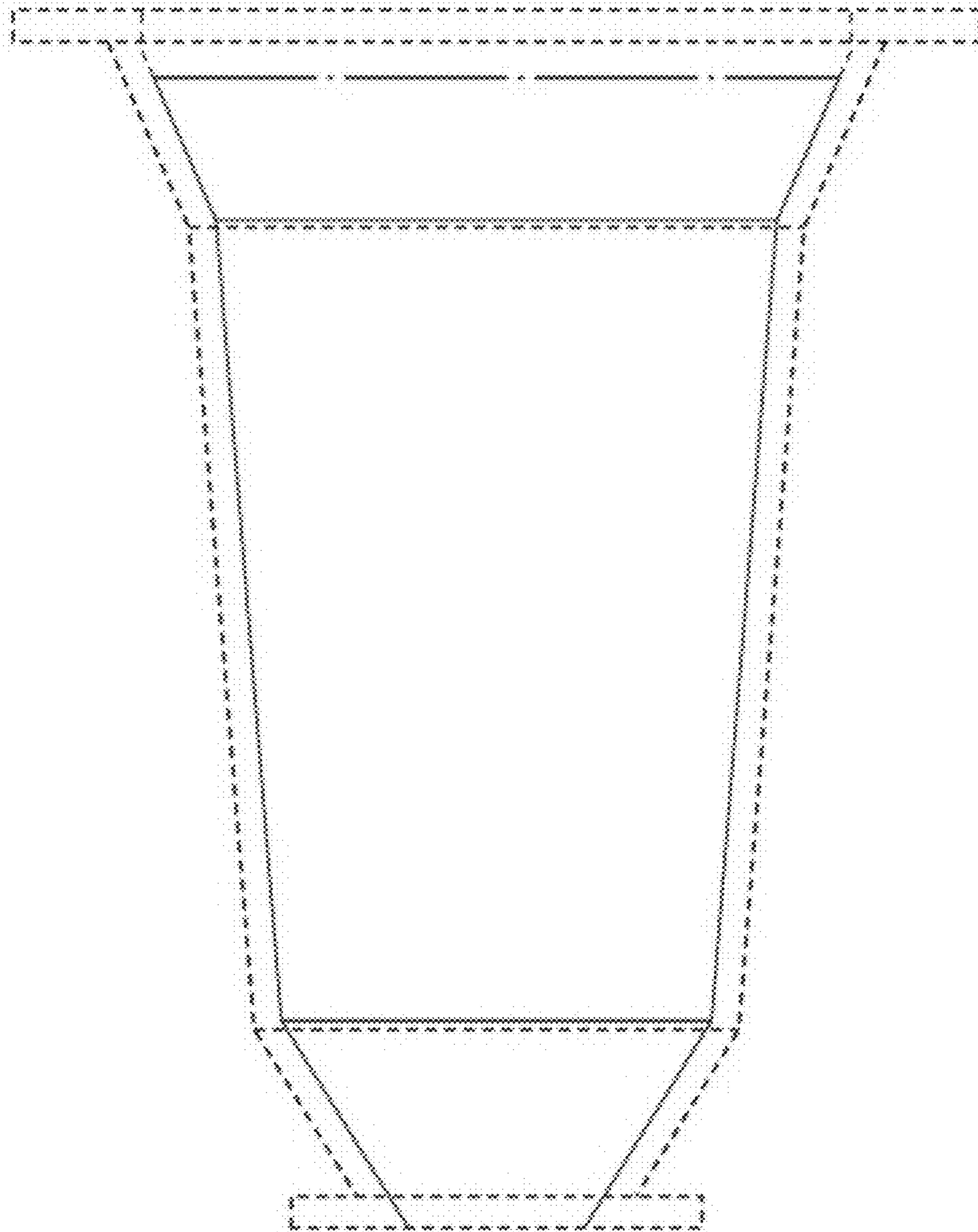


3.2

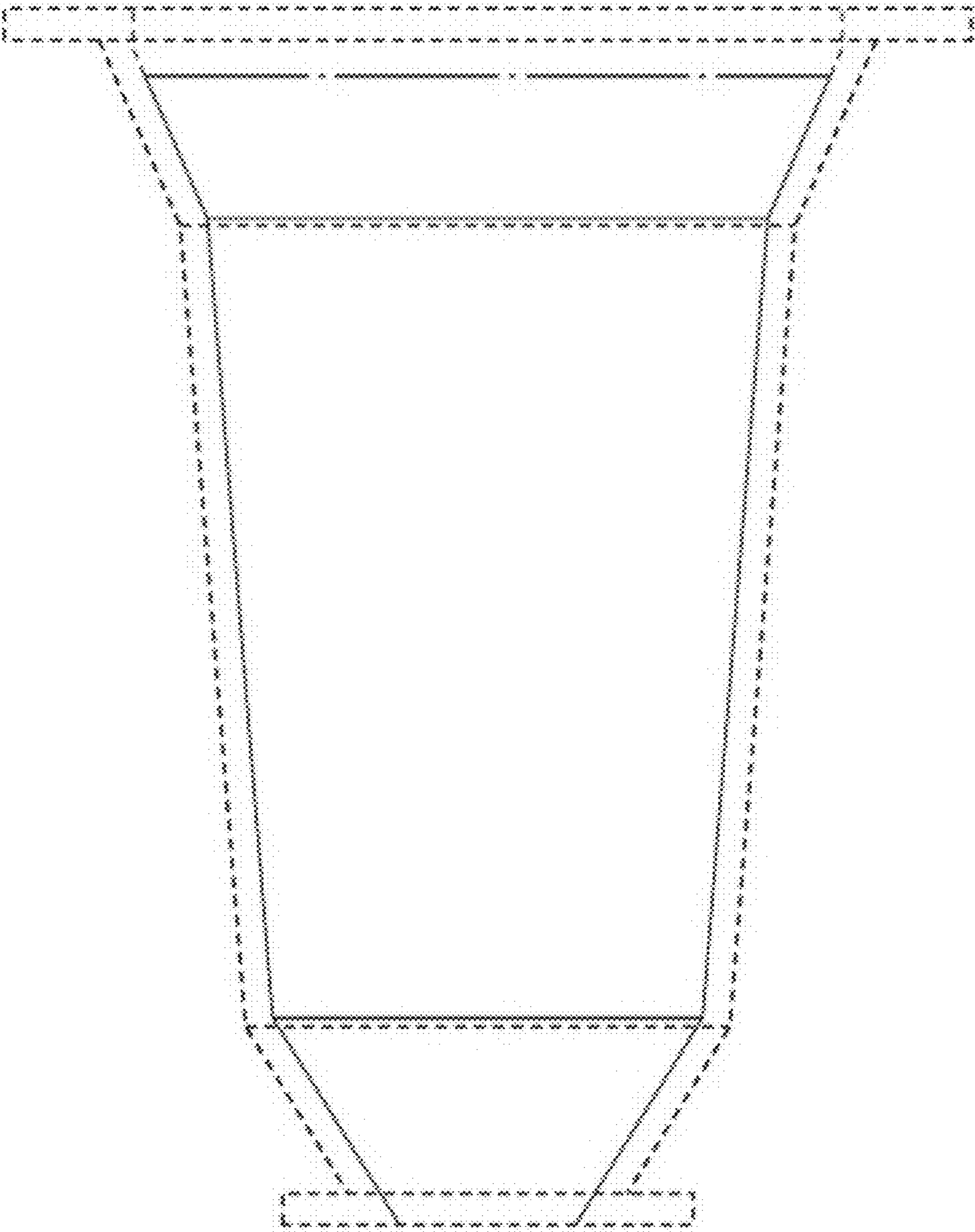




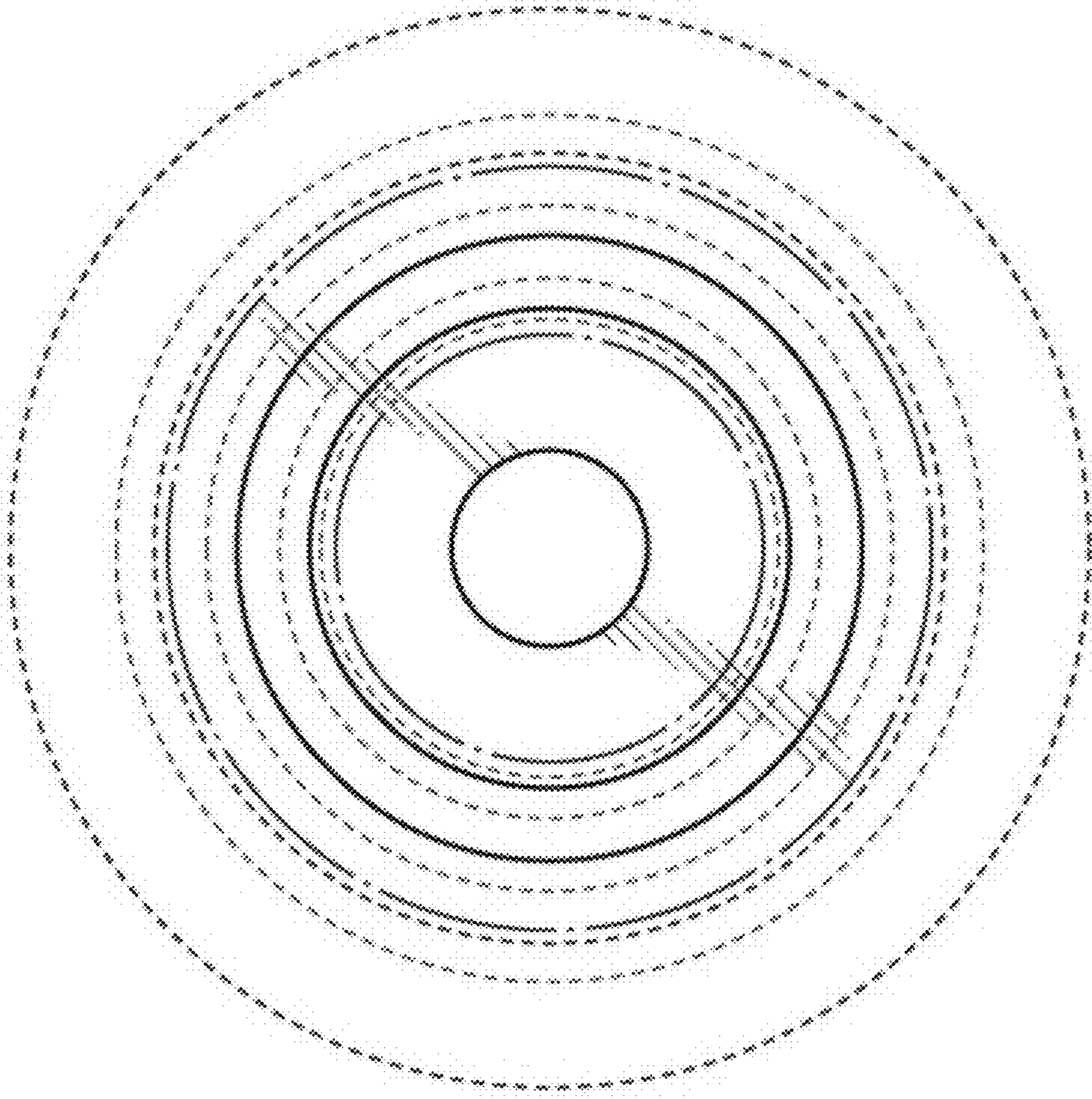
3.3



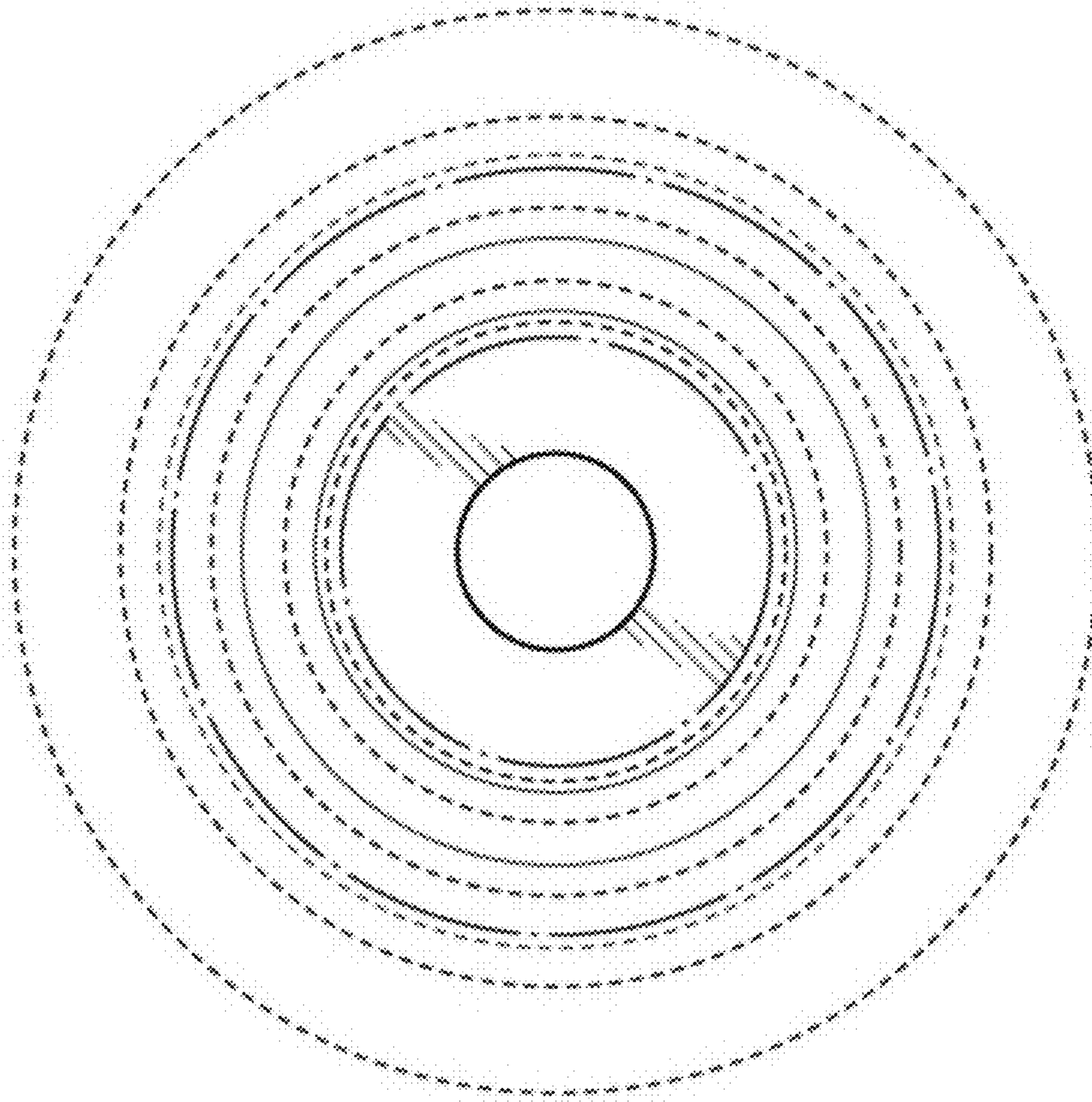
3.4



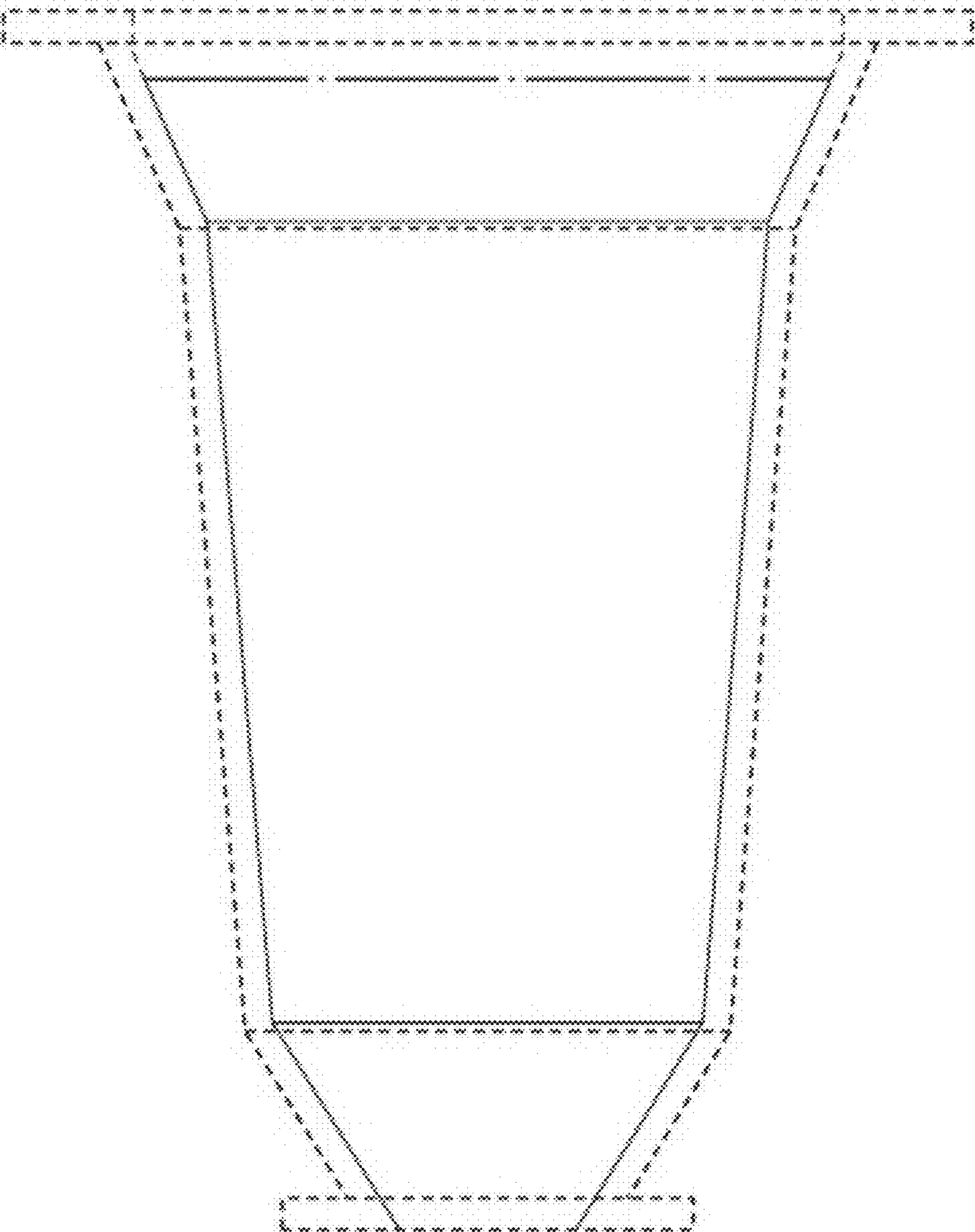
3.5



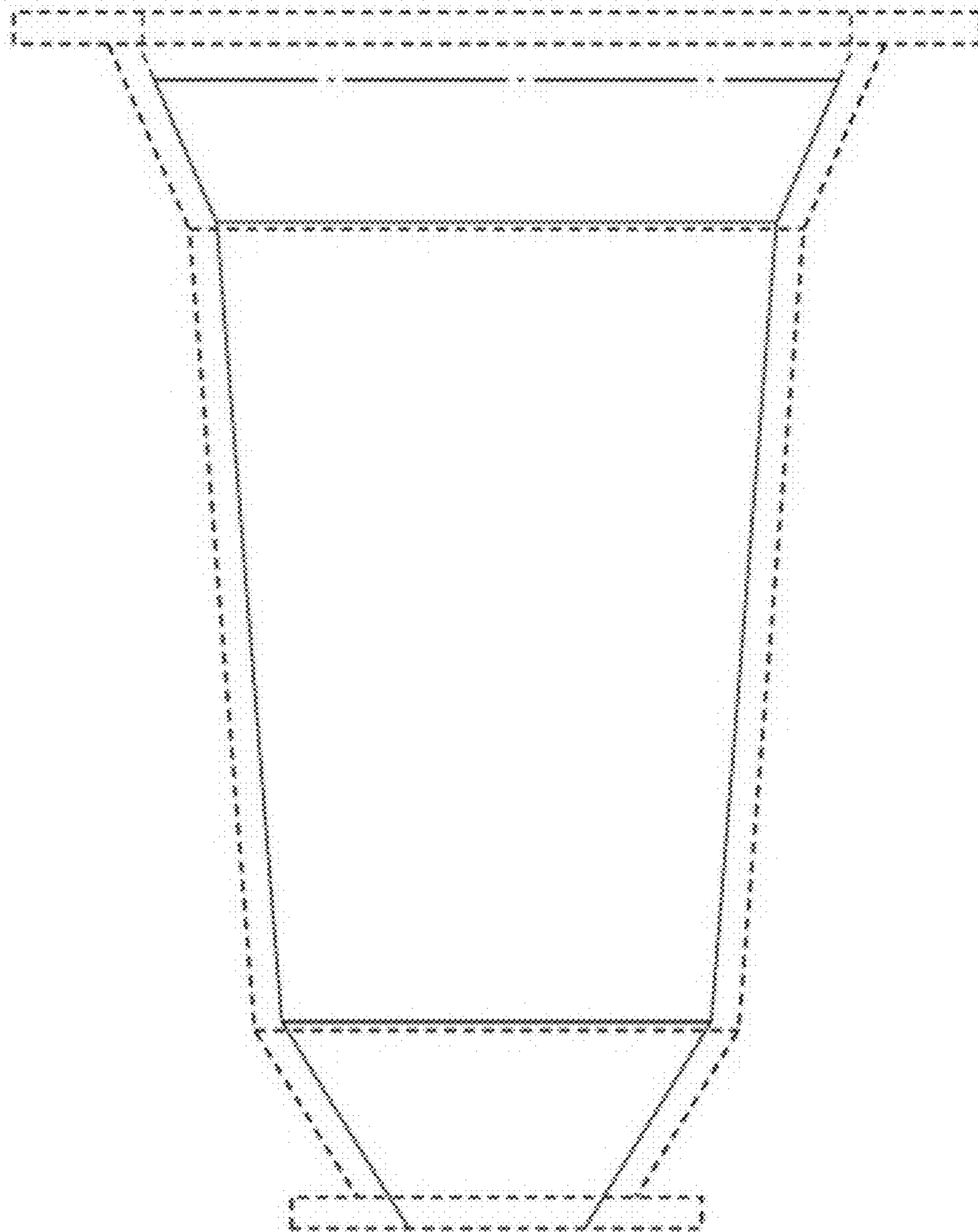
3.6



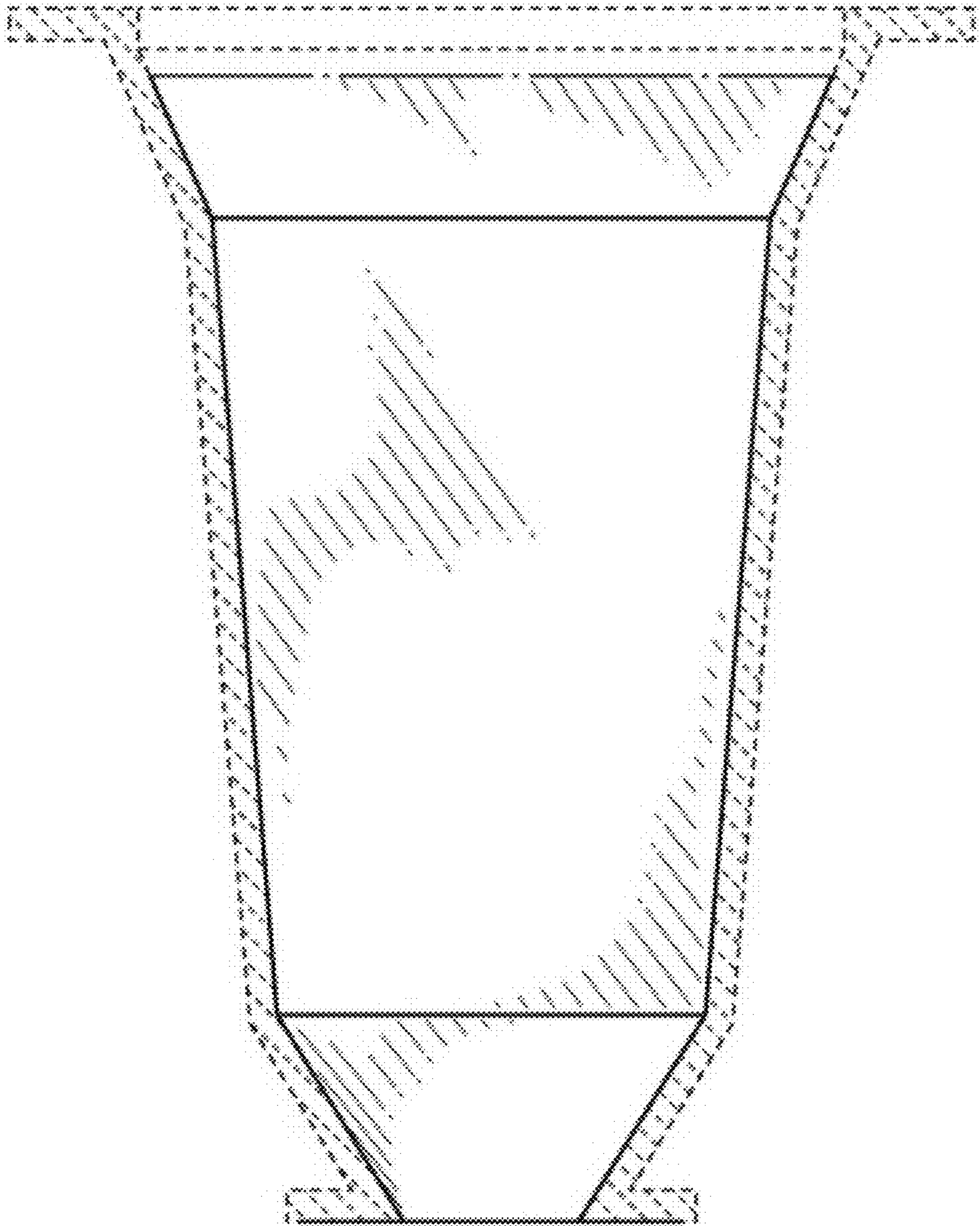
3.7



3.8



3.9



3.10

