



US00D857914S

(12) **United States Design Patent** (10) **Patent No.:** **US D857,914 S**
LiCalzi et al. (45) **Date of Patent:** **** Aug. 27, 2019**

(54) **INSTRUMENT MODULE**

(56) **References Cited**

(71) Applicant: **Siemens Healthcare Diagnostics Inc.**,
Tarrytown, NY (US)

U.S. PATENT DOCUMENTS

(72) Inventors: **Daniel LiCalzi**, New York, NY (US);
Scott Salmon, Tenafly, NJ (US); **Josh
Hartl**, Philadelphia, PA (US)

D582,044	S	*	12/2008	Hacker	D24/170
D645,367	S	*	9/2011	Hayashi	D10/81
D669,189	S	*	10/2012	Liu	D24/216
D676,143	S	*	2/2013	Liu	D24/216
D676,568	S	*	2/2013	Liu	D24/216
D685,483	S	*	7/2013	LiCalzi	D24/216
D735,878	S	*	8/2015	Chang	D24/216
D738,243	S	*	9/2015	Selberg	D10/81
D804,681	S	*	12/2017	LiCalzi	D24/216
D806,259	S	*	12/2017	LiCalzi	D24/216
D810,956	S	*	2/2018	LiCalzi	D24/216
D812,241	S	*	3/2018	LiCalzi	D24/216
D813,410	S	*	3/2018	LiCalzi	D24/216
D816,238	S	*	4/2018	LiCalzi	D24/216
D816,239	S	*	4/2018	LiCalzi	D24/216
D816,240	S	*	4/2018	LiCalzi	D24/216
D816,241	S	*	4/2018	LiCalzi	D24/216

(73) Assignee: **Siemens Healthcare Diagnostics Inc.**,
Tarrytown, NY (US)

(**) Term: **15 Years**

(21) Appl. No.: **29/632,899**

(22) Filed: **Jan. 10, 2018**

(Continued)

Related U.S. Application Data

Primary Examiner — Wan Laymon
Assistant Examiner — Mark Booker

(62) Division of application No. 29/569,389, filed on Jun.
27, 2016, now Pat. No. Des. 812,241.

(51) **LOC (12) Cl.** **24-01**

(57) **CLAIM**

(52) **U.S. Cl.**
USPC **D24/216**

The ornamental design for an instrument module, as shown
and described.

(58) **Field of Classification Search**

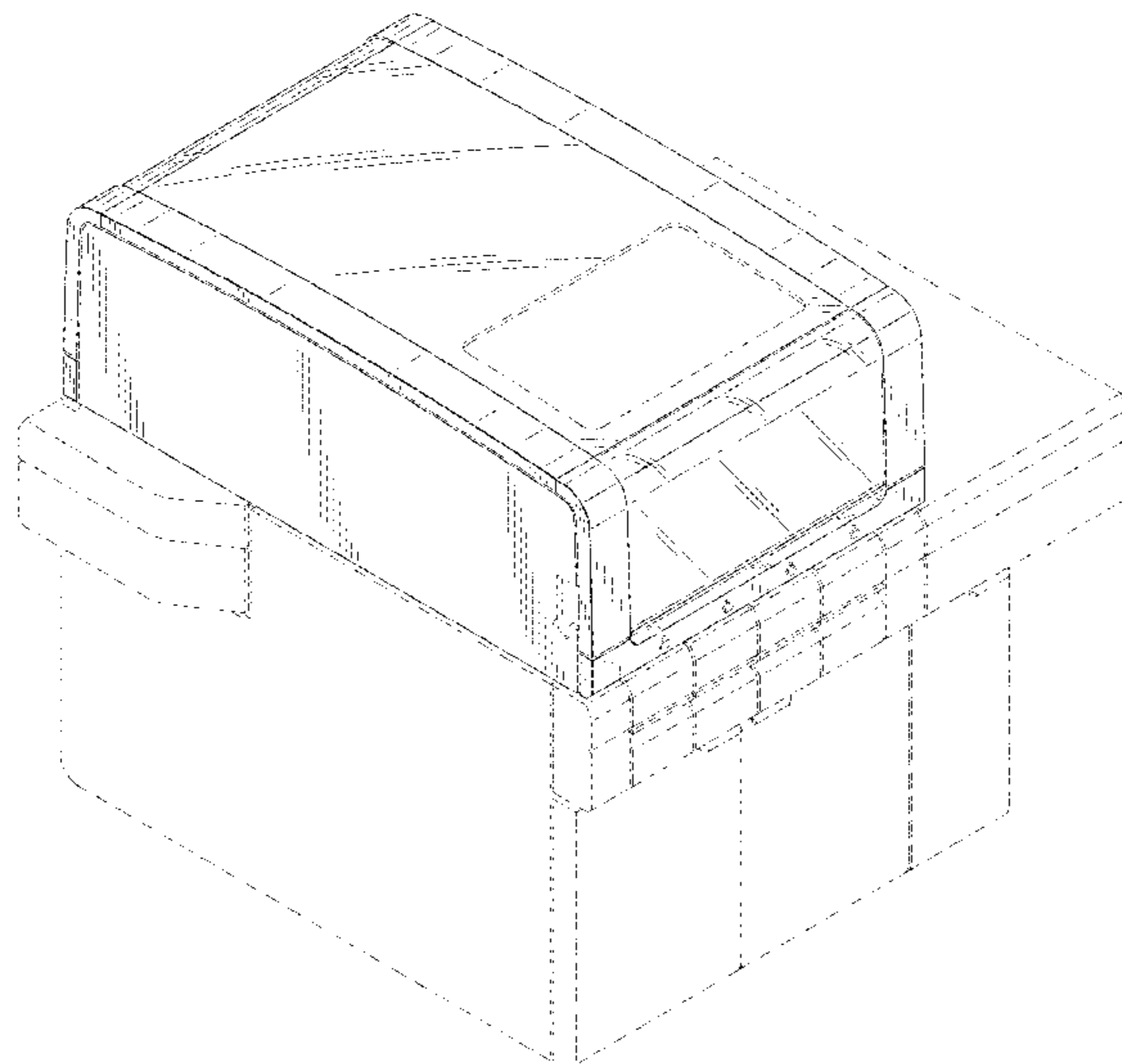
DESCRIPTION

USPC D24/216, 111, 127, 107, 169, 186, 217,
D24/219, 223–224, 231–234; D10/46,
D10/70, 81, 97; 422/1, 62–65, 67, 68.1,
422/70, 81, 129, 500, 506, 561,
422/FOR. 106; 435/287.1, 287.3;
436/43, 45, 47; 600/300, 301, 368, 372,
600/481, 529, 544, 554, 561; 607/4, 5, 9,
607/30
CPC ... G01R 31/31907; B04B 13/00; B04B 15/00;
B04B 2005/0435; B04B 5/0421; A61B
5/157; G06F 19/366; B01D 21/262

FIG. 1 is a front perspective view of an instrument module;
FIG. 2 is a rear perspective view of an instrument module;
FIG. 3 is a front elevational view of an instrument module;
FIG. 4 is a rear elevational view of an instrument module;
FIG. 5 is a left side elevational view of an instrument
module;
FIG. 6 is a right side elevational view of an instrument
module;
FIG. 7 is a top view of an instrument module; and,
FIG. 8 is a bottom view of an instrument module.

See application file for complete search history.

1 Claim, 8 Drawing Sheets



(56)

References Cited

U.S. PATENT DOCUMENTS

D816,242 S *	4/2018	LiCalzi	D24/216
D816,859 S *	5/2018	LiCalzi	D24/216
D816,860 S *	5/2018	LiCalzi	D24/216
D820,995 S *	6/2018	LiCalzi	D24/216
D822,844 S *	7/2018	Smith	D24/216
D826,423 S *	8/2018	LiCalzi	D24/216
D826,424 S *	8/2018	LiCalzi	D24/216
D830,210 S *	10/2018	Ihara	D10/81
D843,005 S *	3/2019	Kobeli	D24/216

* cited by examiner

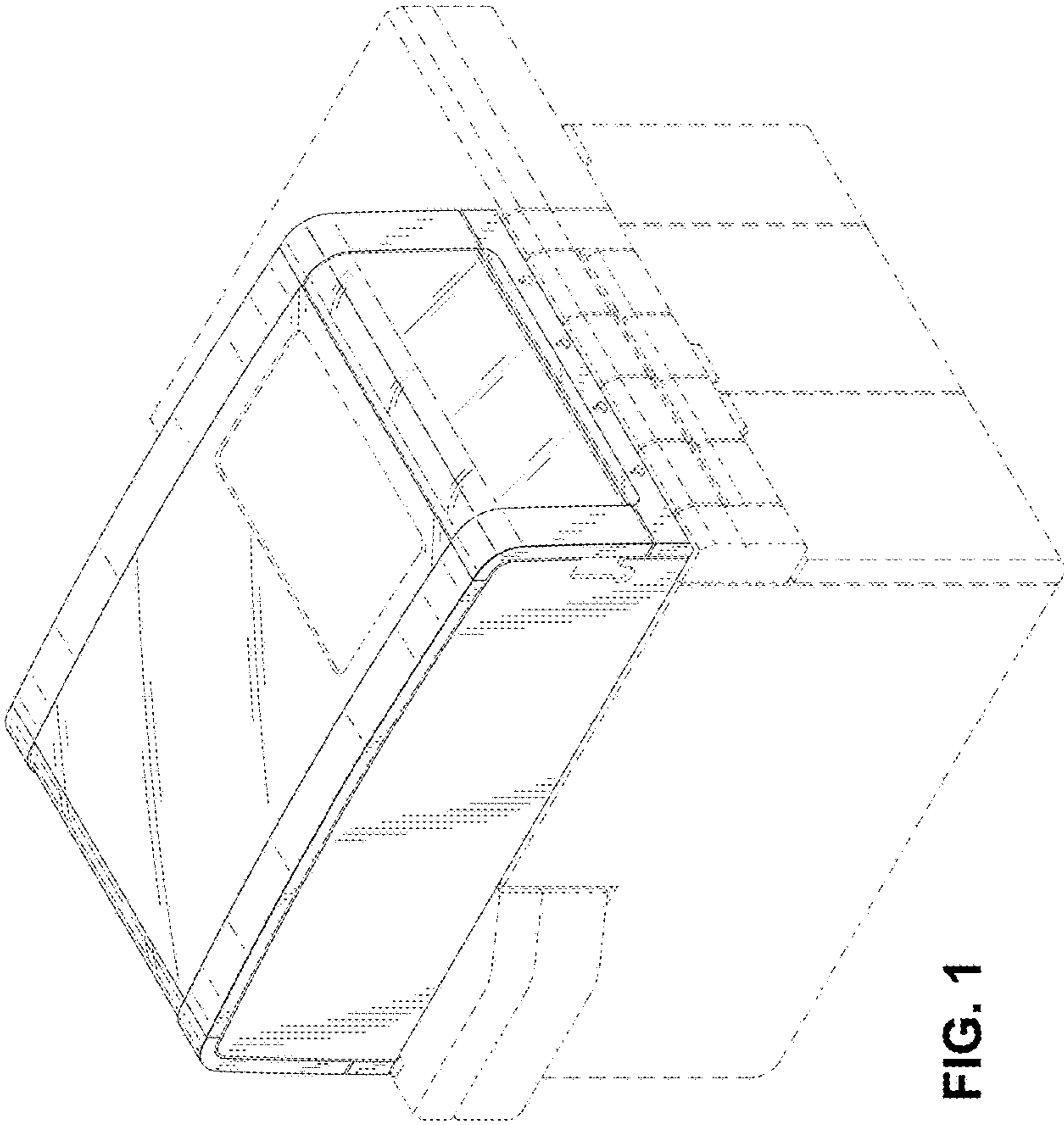


FIG. 1

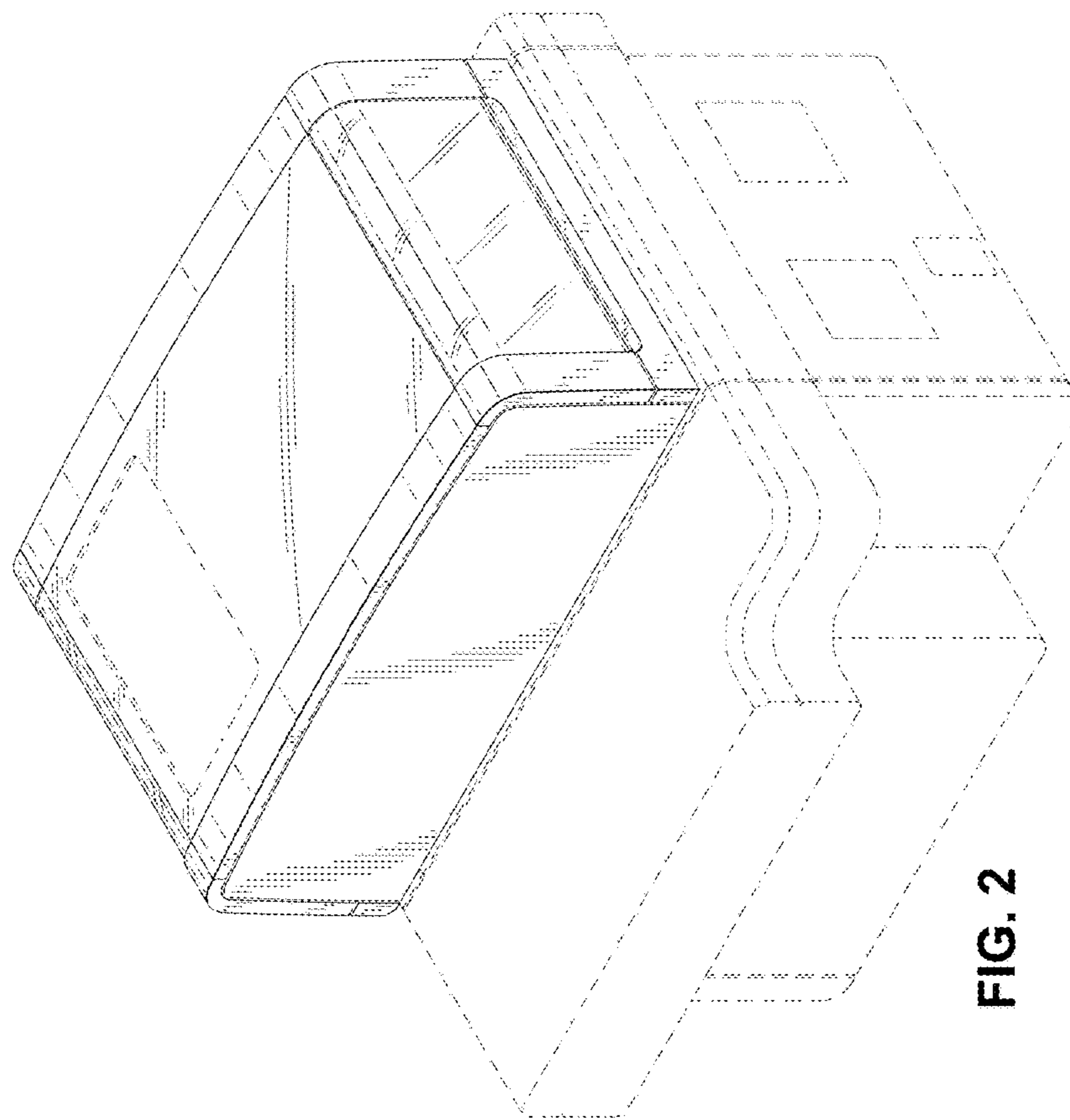


FIG. 2

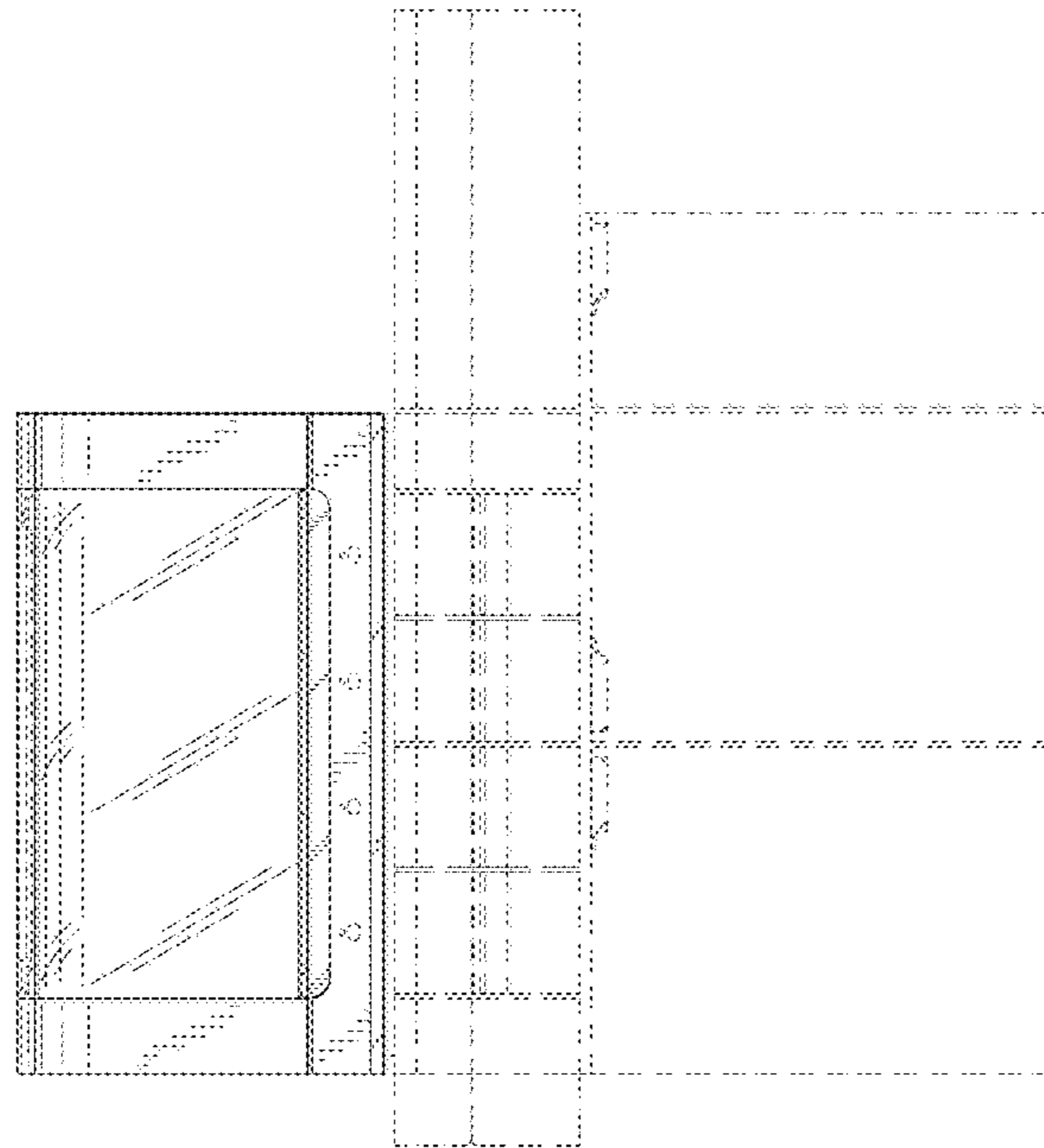


FIG. 3

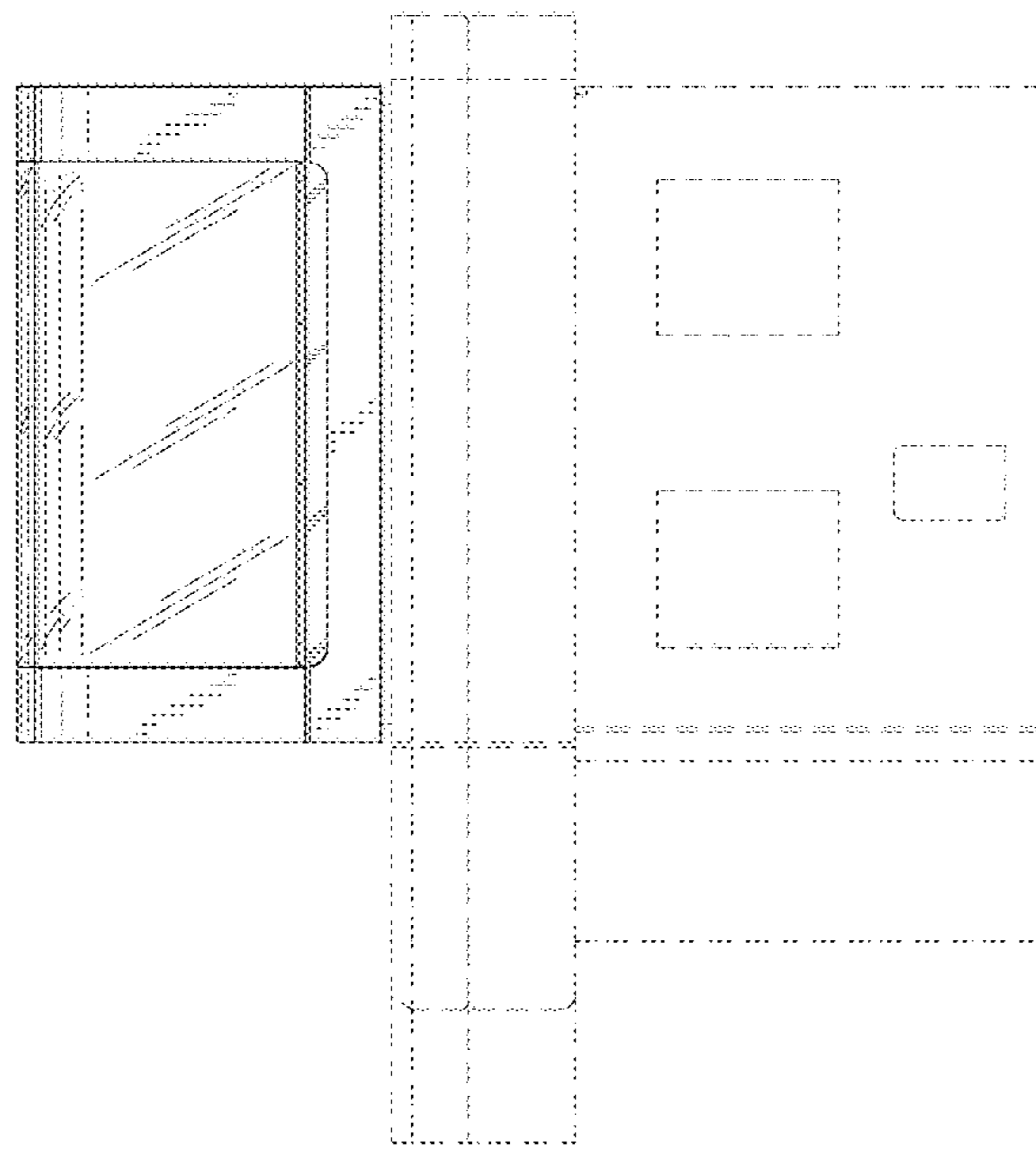


FIG. 4

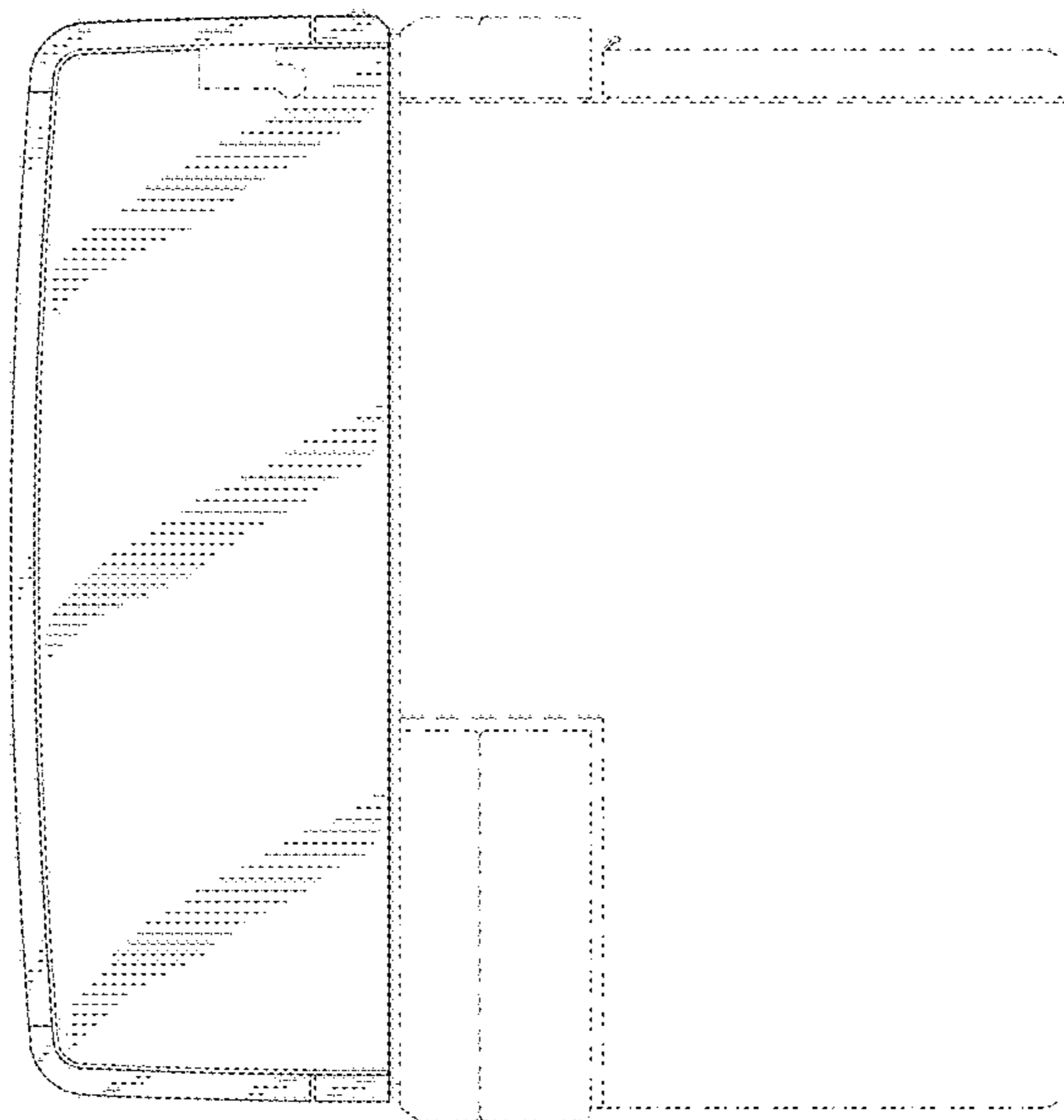


FIG. 5

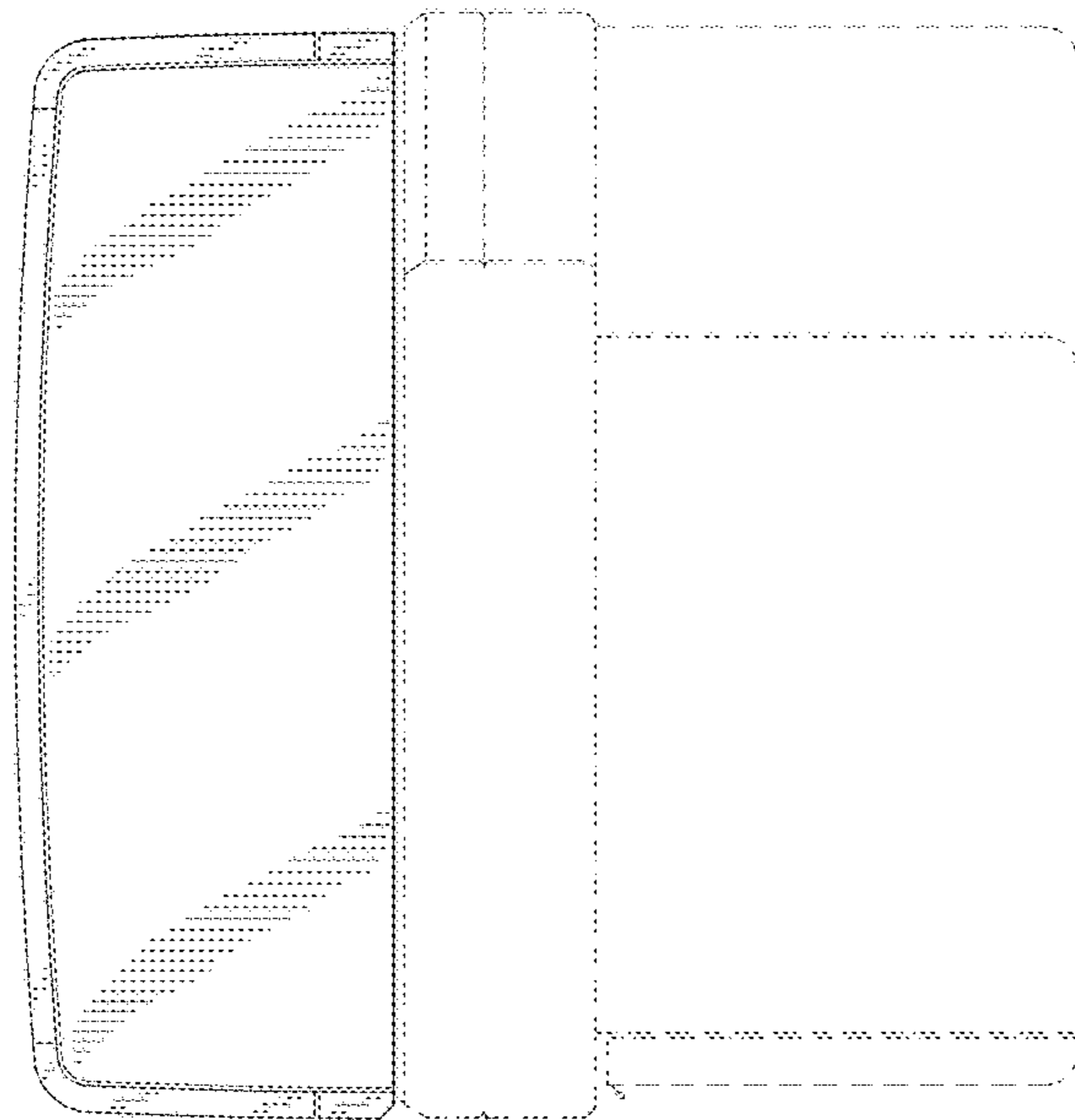


FIG. 6

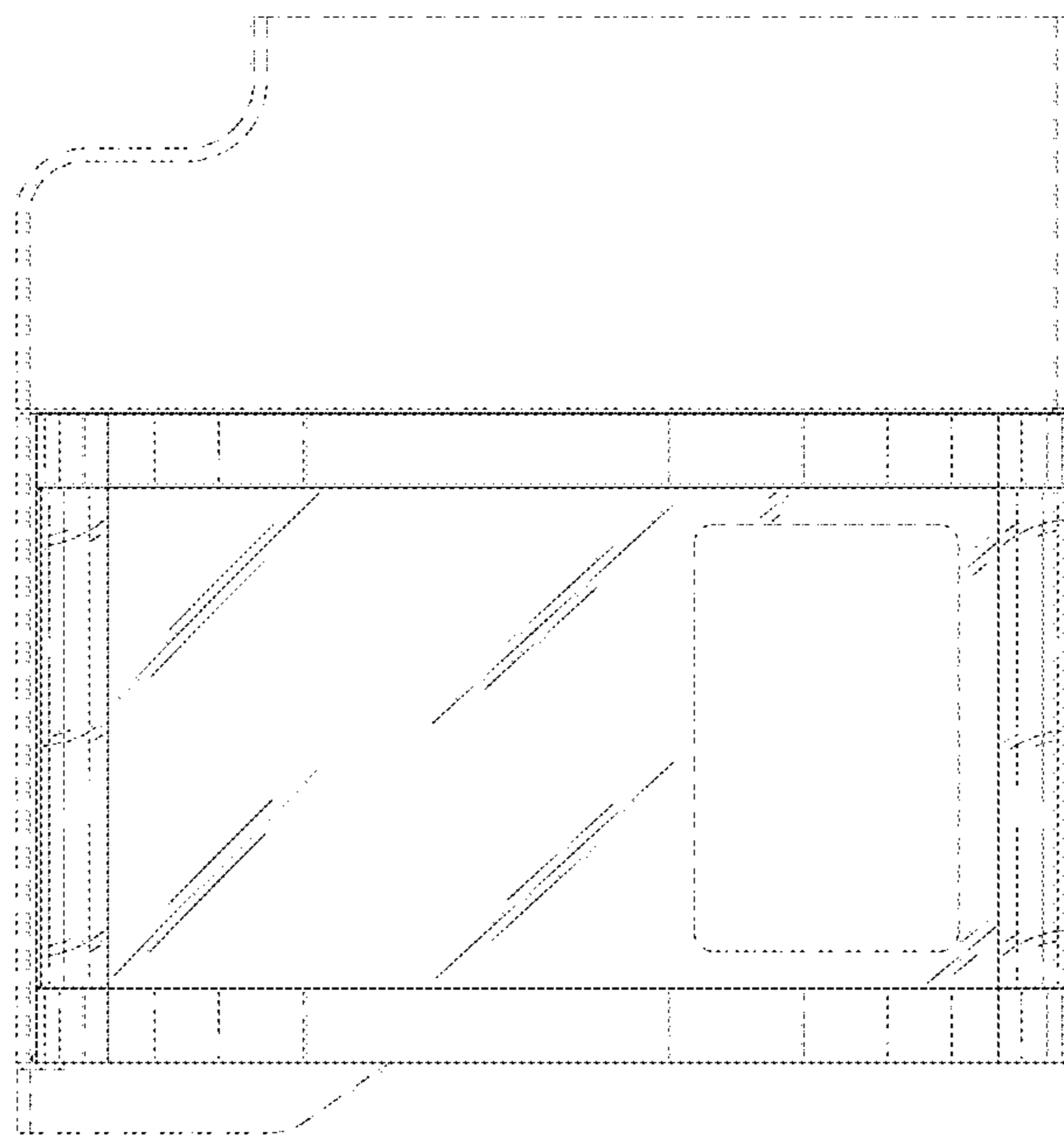


FIG. 7

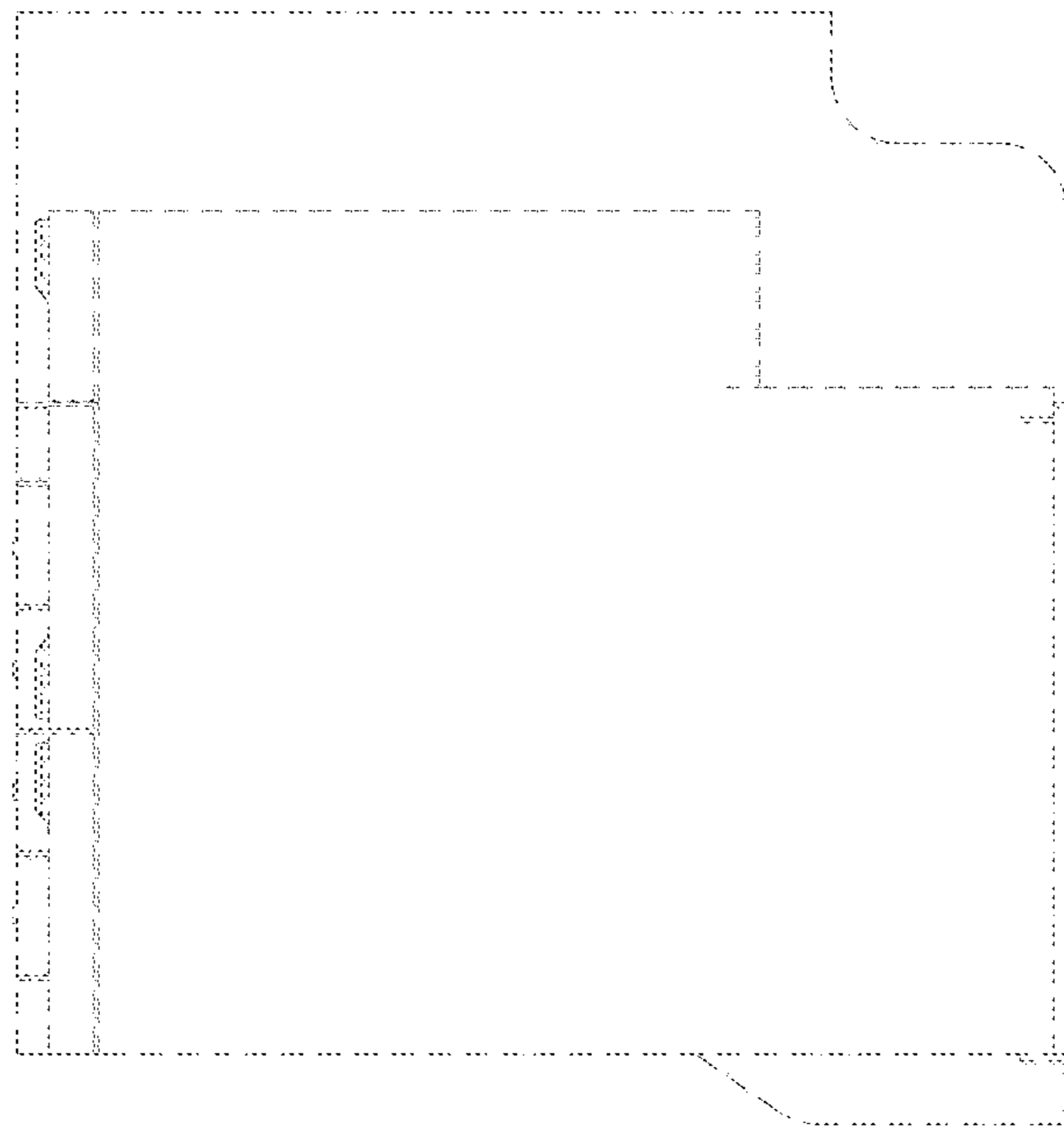


FIG. 8