



US00D857913S

(12) **United States Design Patent** (10) **Patent No.:** **US D857,913 S**
LiCalzi et al. (45) **Date of Patent:** **** Aug. 27, 2019**

(54) **SYSTEM INCLUDING MULTIPLE INSTRUMENT MODULES AND ARRANGEMENT THEREOF**

(71) Applicant: **Siemens Healthcare Diagnostics Inc.**, Tarrytown, NY (US)

(72) Inventors: **Daniel LiCalzi**, New York, NY (US); **Youngsang Lee**, Flushing, NY (US); **Mark Lloyd**, Townsend, DE (US); **Gregory Bange**, Newark, DE (US); **Richard Warwick**, Newark, DE (US); **Robert Faranda**, Boxborough, MA (US); **Richard Watson**, Norwell, MA (US); **Justin Cumming**, Topsfield, MA (US); **Scott Salmon**, Tenafly, NJ (US); **Josh Hartl**, Philadelphia, PA (US)

(73) Assignee: **Siemens Healthcare Diagnostics Inc.**, Tarrytown, NY (US)

(**) Term: **15 Years**

(21) Appl. No.: **29/632,896**

(22) Filed: **Jan. 10, 2018**

Related U.S. Application Data

(62) Division of application No. 29/569,388, filed on Jun. 27, 2016, now Pat. No. Des. 810,956.

(51) **LOC (12) Cl.** **24-01**

(52) **U.S. Cl.**
USPC **D24/216**

(58) **Field of Classification Search**
USPC D24/216, 111, 127, 107, 169, 186, 217, D24/219, 223-224, 231-234; D10/46,
(Continued)

(56) **References Cited**

U.S. PATENT DOCUMENTS

D582,044 S * 12/2008 Hacker D24/170
D645,367 S * 9/2011 Hayashi D10/81

(Continued)

Primary Examiner — Wann Laymon

Assistant Examiner — Mark Booker

(57) **CLAIM**

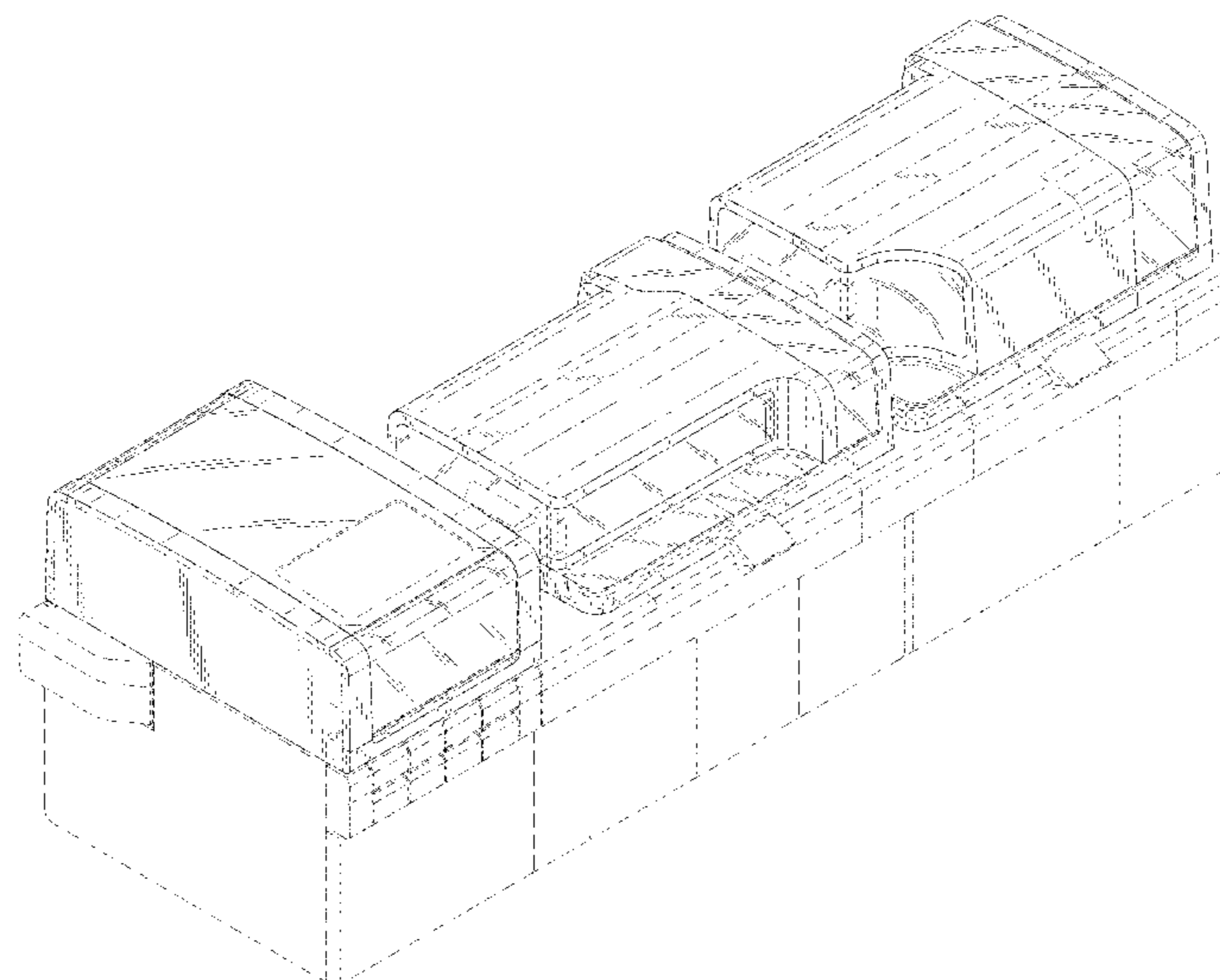
The ornamental design for an system including multiple instrument modules and arrangement thereof, as shown and described.

DESCRIPTION

FIG. 1 is a front perspective view of a system including multiple instrument modules and arrangement thereof; FIG. 2 is a rear perspective view of a system including multiple instrument modules and arrangement thereof; FIG. 3 is a front elevational view of a system including multiple instrument modules and arrangement thereof; FIG. 4 is a rear elevational view of a system including multiple instrument modules and arrangement thereof; FIG. 5 is a left side elevational view of a system including multiple instrument modules and arrangement thereof; FIG. 6 is a right side elevational view of a system including multiple instrument modules and arrangement thereof; FIG. 7 is a top view of a system including multiple instrument modules and arrangement thereof; and, FIG. 8 is a bottom view of a system including multiple instrument modules and arrangement thereof.

The broken lines shown in the figures represent portions of the system including multiple instrument modules and arrangement thereof that form no part of the claimed design. The broken line showing immediately adjacent the shaded areas represents boundaries to the claimed design and forms no part of the claimed design.

1 Claim, 7 Drawing Sheets



(58) **Field of Classification Search**
 USPC D10/70, 81, 97; 422/1, 62-65, 67, 68.1,
 422/70, 81, 129, 500, 506, 561,
 422/FOR. 106; 435/287.1, 287.3;
 436/43, 45, 47; 600/300, 301, 368, 372,
 600/481, 529, 544, 554, 561; 607/4, 5, 9,
 607/30
 CPC ... G01R 31/31907; B04B 13/00; B04B 15/00;
 B04B 2005/0435; B04B 5/0421; A61B
 5/157; G06F 19/366; B01D 21/262
 See application file for complete search history.

(56) **References Cited**
 U.S. PATENT DOCUMENTS

D669,189 S * 10/2012 Liu D24/216
 D676,143 S * 2/2013 Liu D24/216
 D676,568 S * 2/2013 Liu D24/216
 D685,483 S * 7/2013 LiCalzi D24/216

D735,878 S * 8/2015 Chang D24/216
 D738,243 S * 9/2015 Selberg D10/81
 D804,681 S * 12/2017 LiCalzi D24/216
 D806,259 S * 12/2017 LiCalzi D24/216
 D810,956 S * 2/2018 LiCalzi D24/216
 D812,241 S * 3/2018 LiCalzi D24/216
 D813,410 S * 3/2018 LiCalzi D24/216
 D816,238 S * 4/2018 LiCalzi D24/216
 D816,239 S * 4/2018 LiCalzi D24/216
 D816,240 S * 4/2018 LiCalzi D24/216
 D816,241 S * 4/2018 LiCalzi D24/216
 D816,242 S * 4/2018 LiCalzi D24/216
 D816,859 S * 5/2018 LiCalzi D24/216
 D816,860 S * 5/2018 LiCalzi D24/216
 D820,995 S * 6/2018 LiCalzi D24/216
 D822,844 S * 7/2018 Smith D24/216
 D826,423 S * 8/2018 LiCalzi D24/216
 D826,424 S * 8/2018 LiCalzi D24/216
 D830,210 S * 10/2018 Ihara D10/81
 D843,005 S * 3/2019 Kobeli D24/216

* cited by examiner

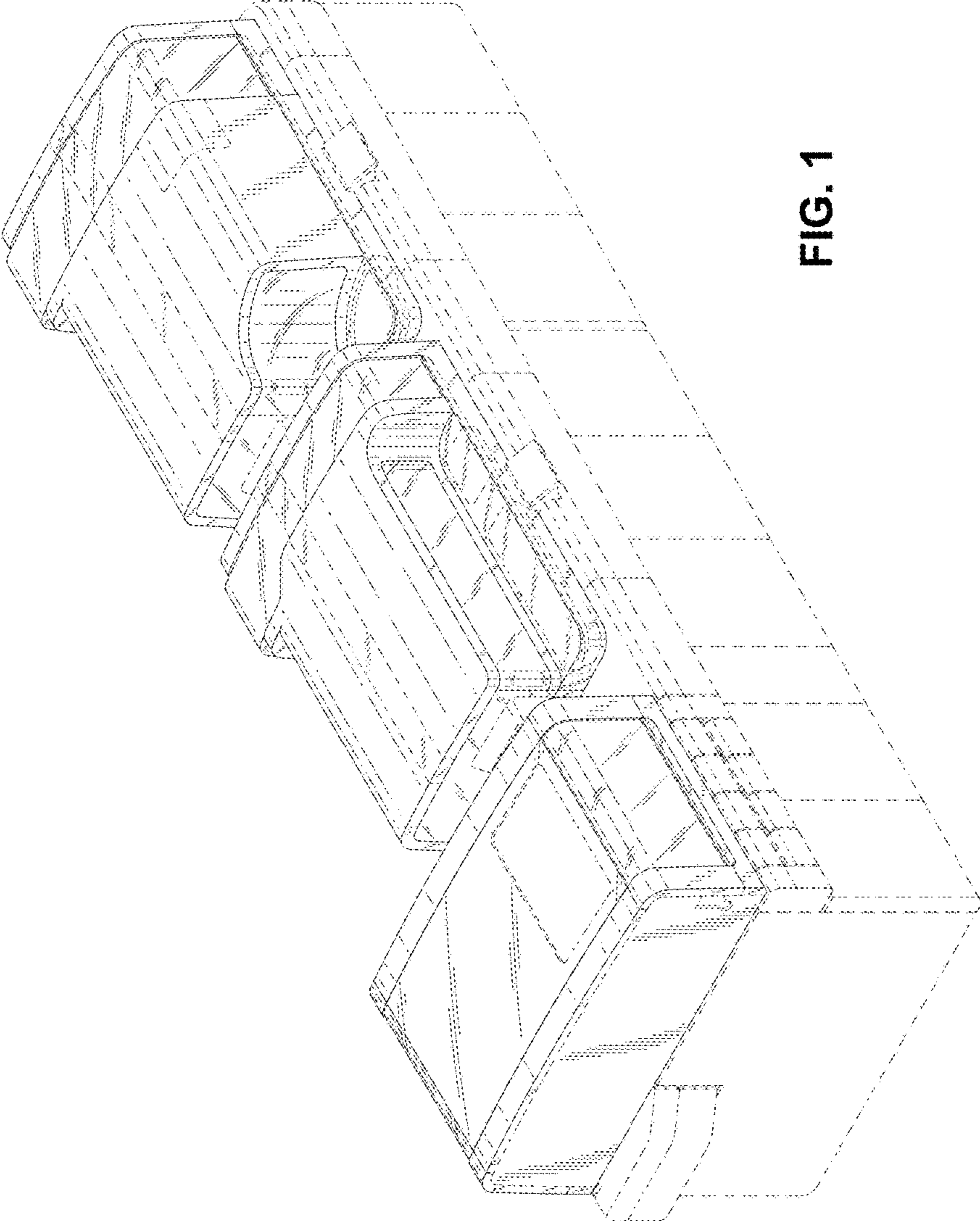


FIG. 1

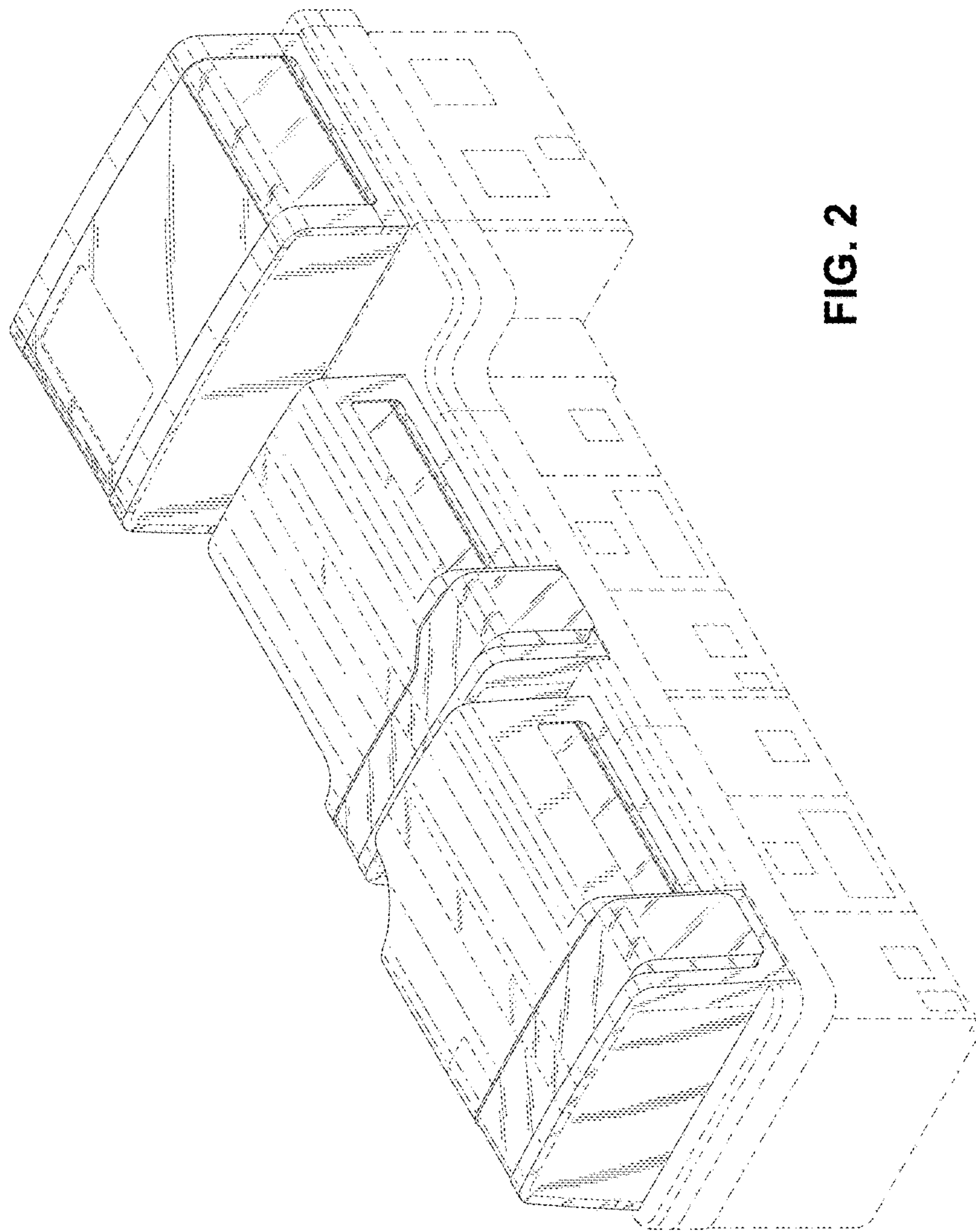


FIG. 2

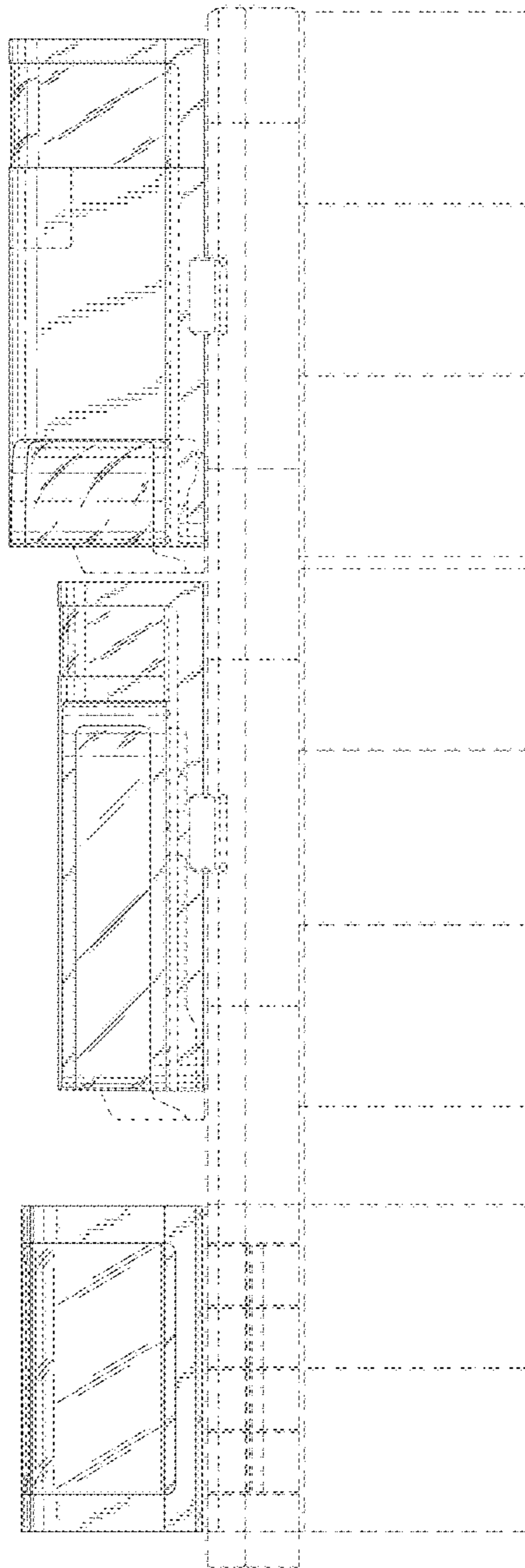


FIG. 3

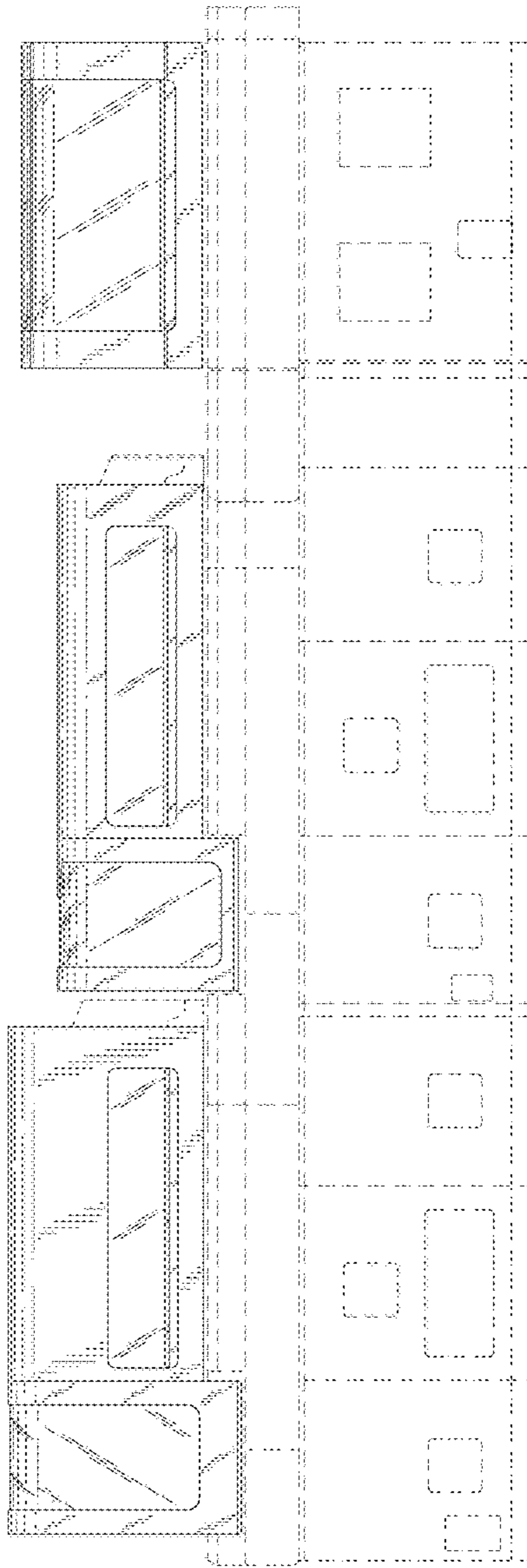


FIG. 4

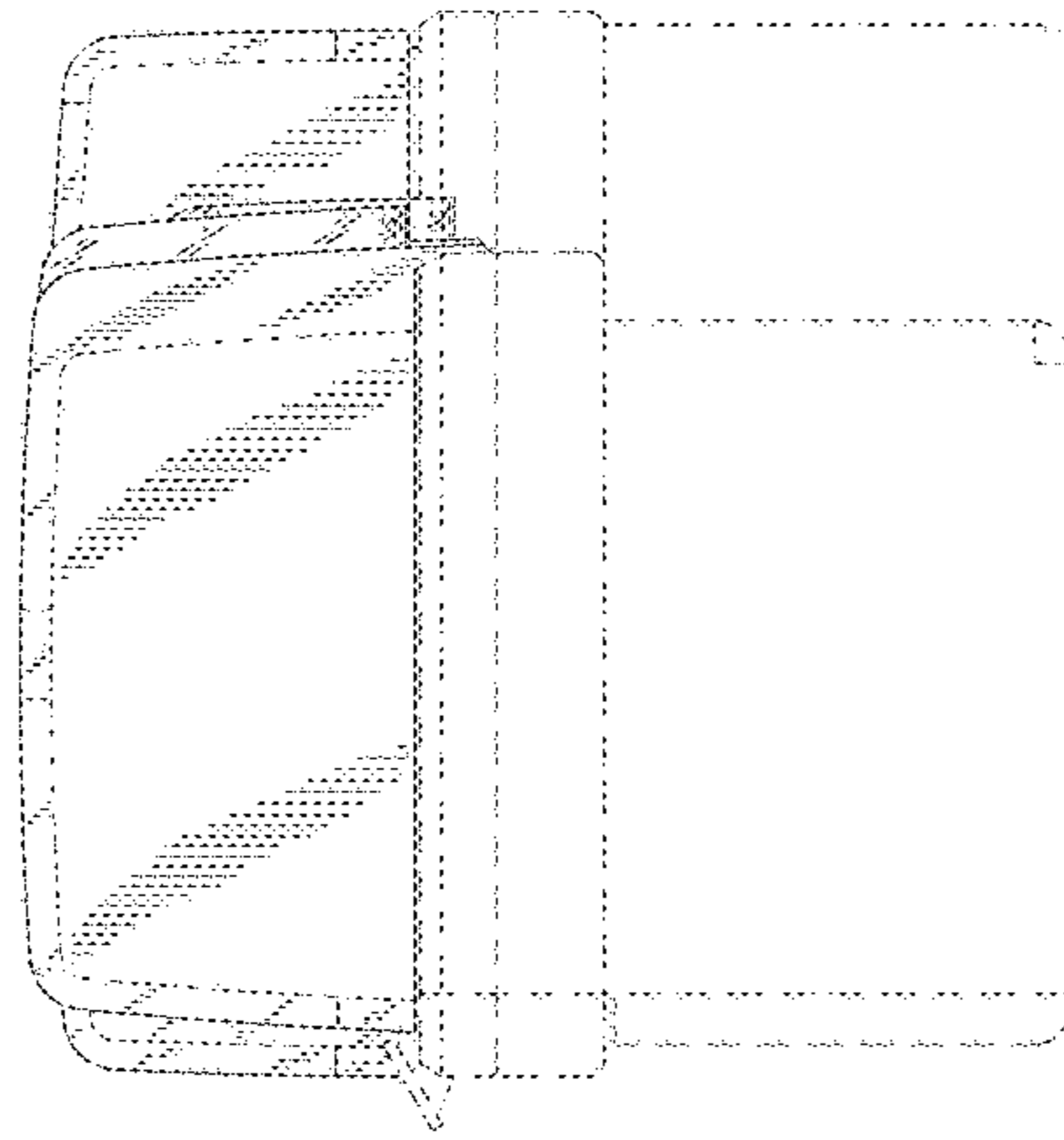


FIG. 6

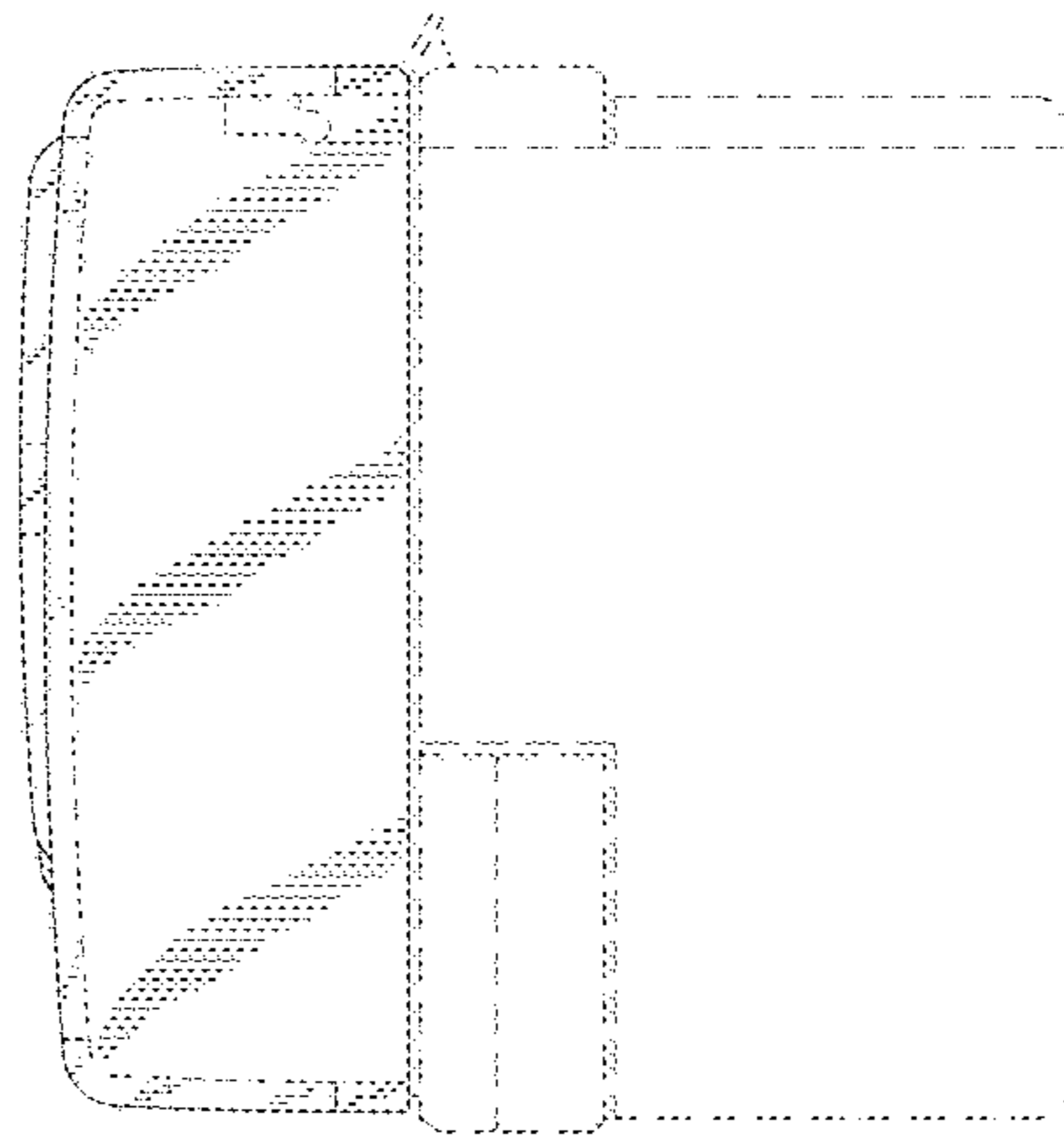


FIG. 5

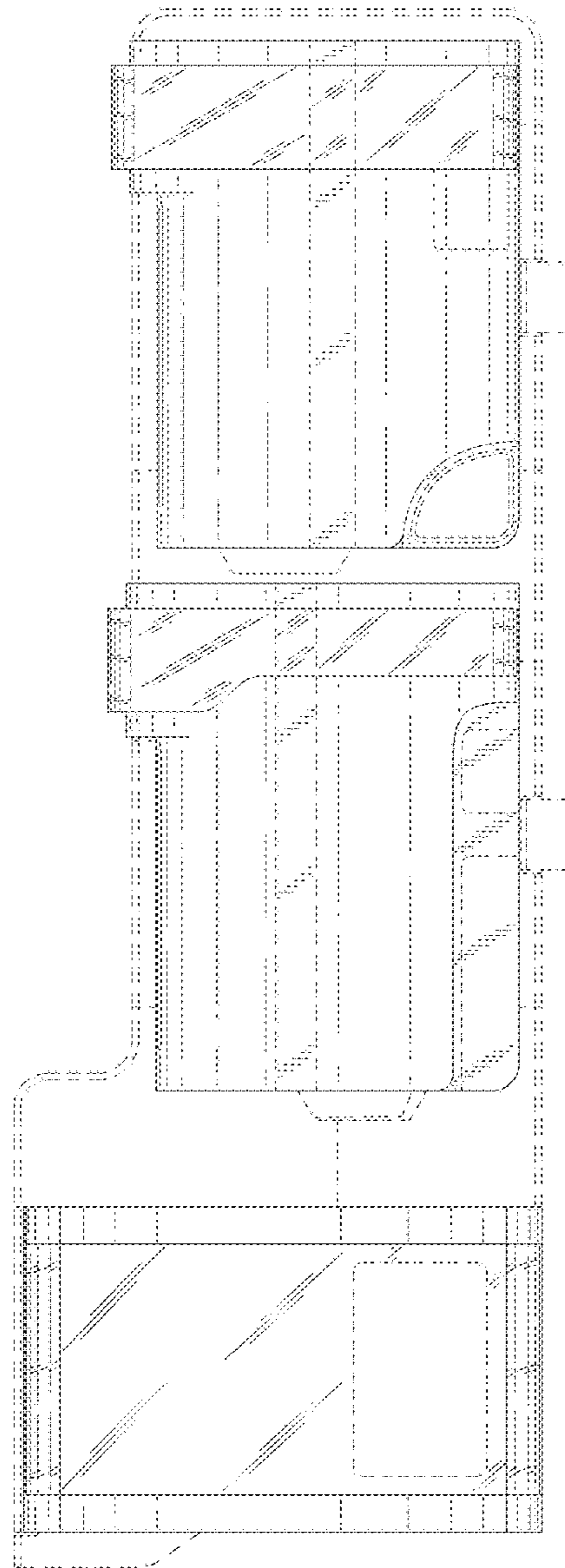


FIG. 7

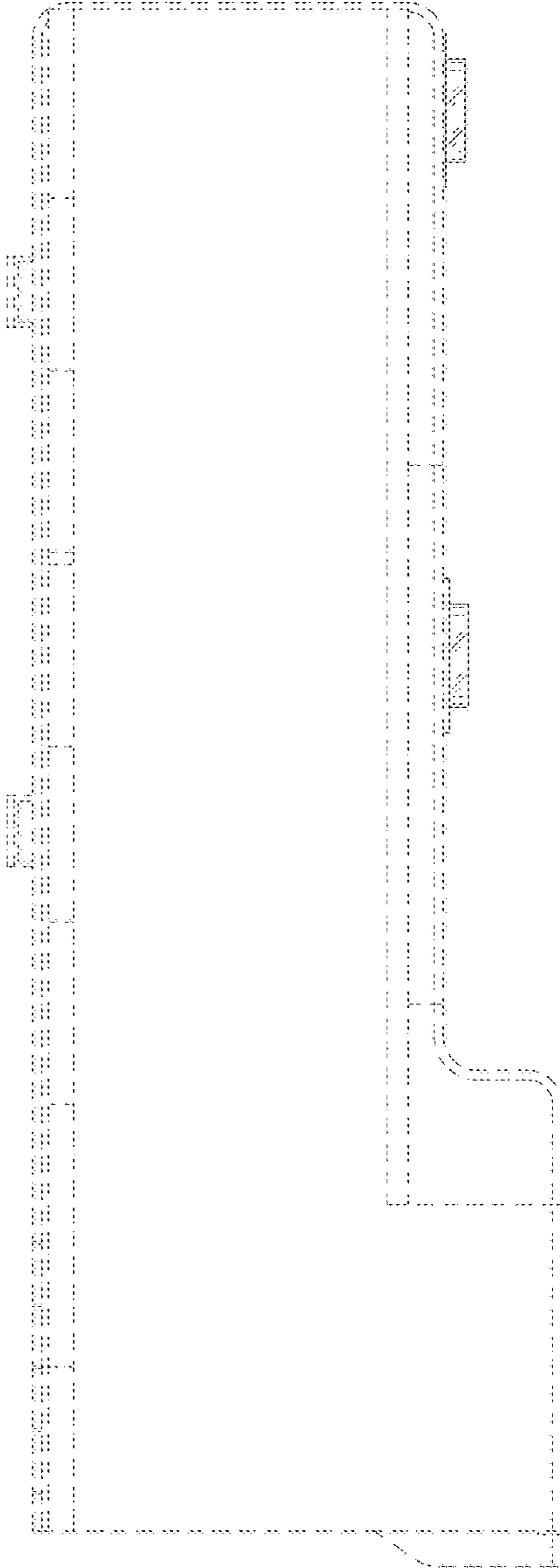


FIG. 8