



US00D857911S

(12) **United States Design Patent**
Huang

(10) **Patent No.:** **US D857,911 S**

(45) **Date of Patent:** **** Aug. 27, 2019**

(54) **BEAUTY REJUVENATION APPARATUS**

(71) Applicant: **Guoli Huang**, Fujian (CN)

(72) Inventor: **Guoli Huang**, Fujian (CN)

(**) Term: **15 Years**

(21) Appl. No.: **29/645,506**

(22) Filed: **Apr. 26, 2018**

(51) **LOC (12) Cl.** **28-03**

(52) **U.S. Cl.**

USPC **D24/215**

(58) **Field of Classification Search**

USPC D24/200, 211, 212, 213, 214, 215;
601/19, 22, 46, 52, 63, 80, 99, 104,
601/110-114, 118-120, 125, 134, 151,
601/152, DIG. 12, DIG. 14, DIG. 15,
601/DIG. 16, DIG. 17

CPC A61H 1/00; A61H 1/001; A61H 1/0237;
A61H 2015/0007; A61H 2015/0014;
A61H 2015/0042; A61H 2015/0064;
A61H 15/00; A61H 2011/005; A61H
19/44; A61H 19/50; A61H 21/00; A61H
37/00

See application file for complete search history.

(56) **References Cited**

U.S. PATENT DOCUMENTS

D323,034 S * 1/1992 Reinstein D24/200
D377,394 S * 1/1997 Tillman D24/215

D533,943 S * 12/2006 Chen D24/146

D561,343 S * 2/2008 Liang D24/215

7,967,740 B2 * 6/2011 Mertens A61H 7/005
600/38

D675,829 S * 2/2013 Jakubow D4/102

D679,502 S * 4/2013 Itano D4/102

D693,932 S * 11/2013 Nichols D24/214

D736,399 S * 8/2015 Nichols D24/214

D759,256 S * 6/2016 Chen D24/200

D794,854 S * 8/2017 Zepter D24/200

* cited by examiner

Primary Examiner — Sandra S Snapp

(57) **CLAIM**

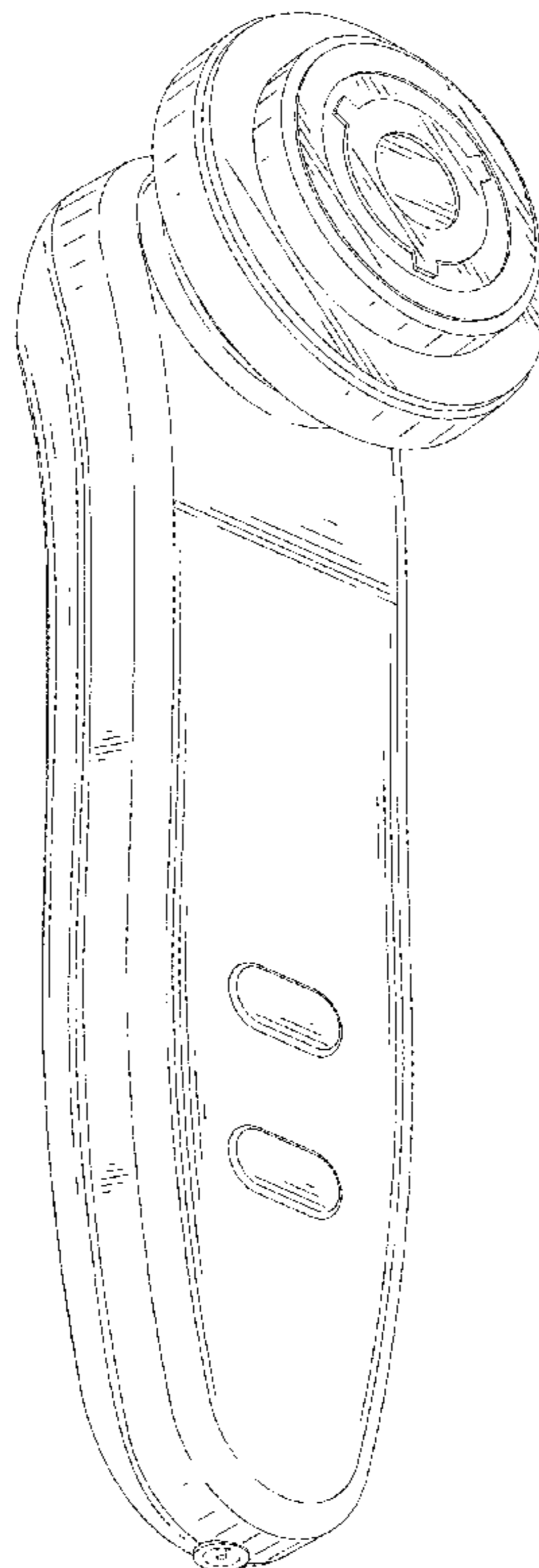
The ornamental design for a beauty rejuvenation apparatus, as shown and described.

DESCRIPTION

FIG. 1 is a front elevational view of a beauty rejuvenation apparatus showing my new design; FIG. 2 is a rear elevational view thereof; FIG. 3 is a left side view thereof; FIG. 4 is a right side view thereof; FIG. 5 is a top plan view thereof; FIG. 6 is a bottom plan view thereof; and, FIG. 7 is a perspective view thereof.

The broken lines depict portions of the beauty rejuvenation apparatus and form no part of the claimed design.

1 Claim, 6 Drawing Sheets



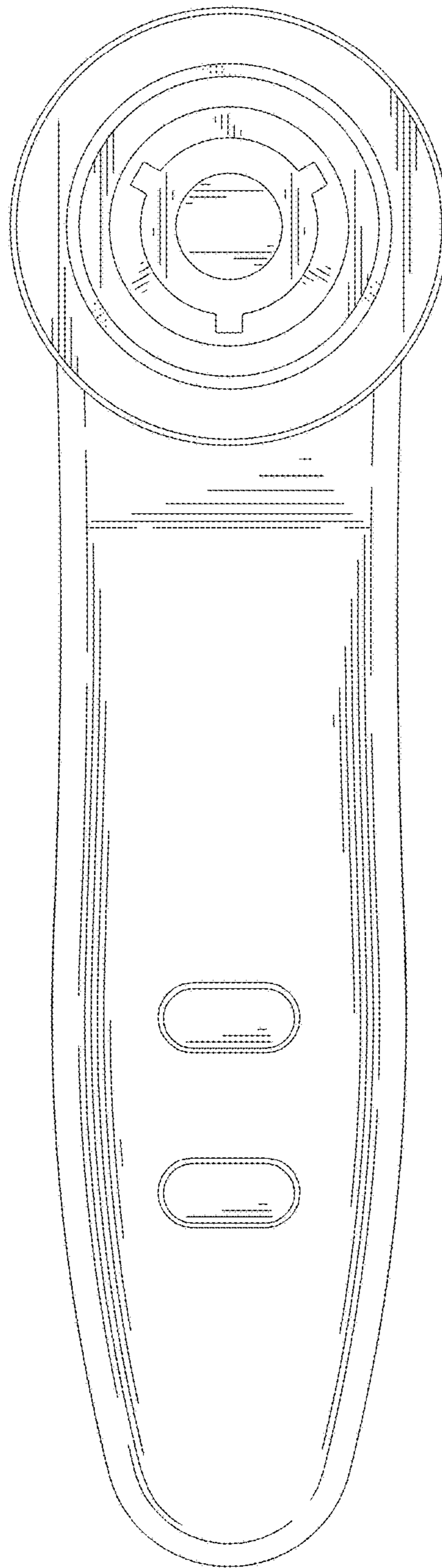


FIG. 1

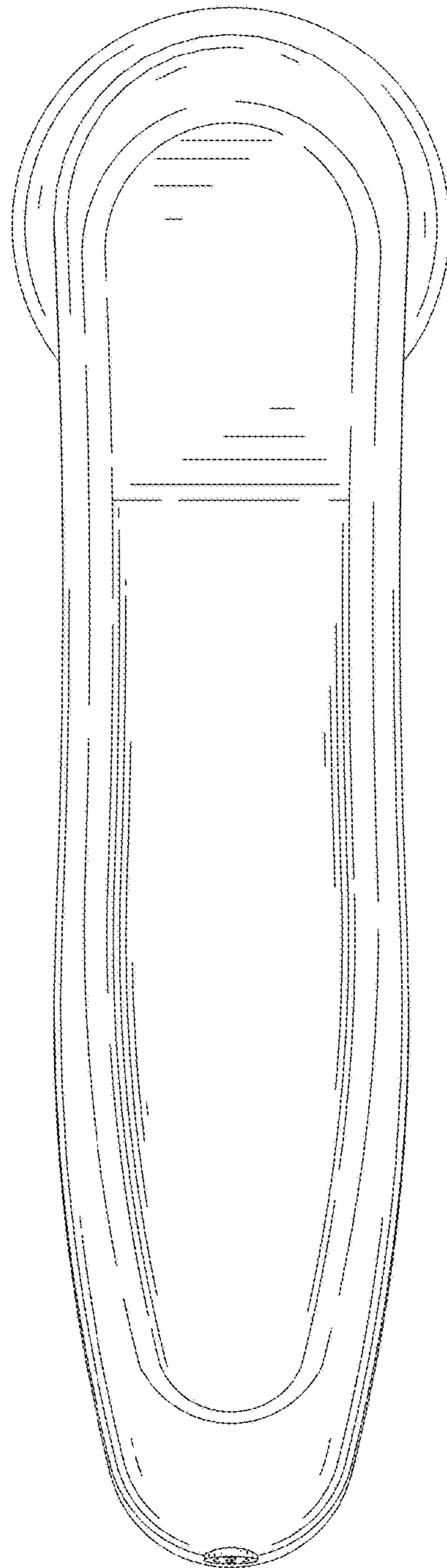


FIG. 2

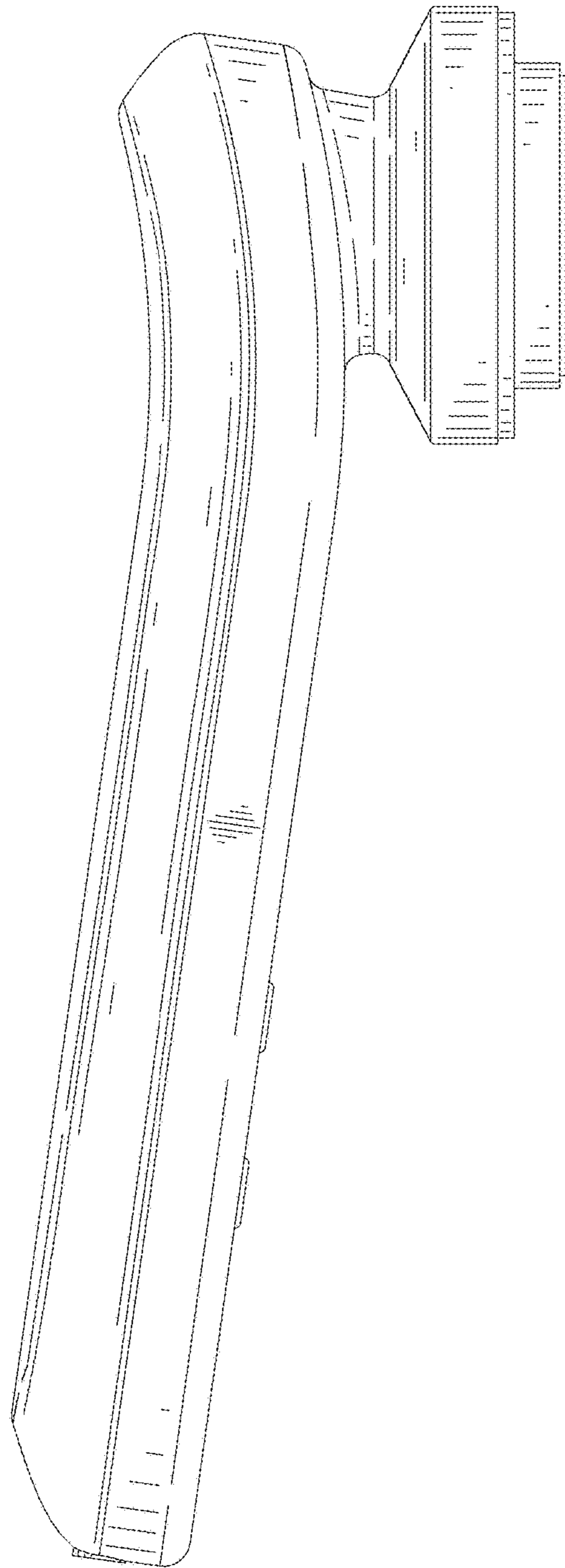


FIG. 3

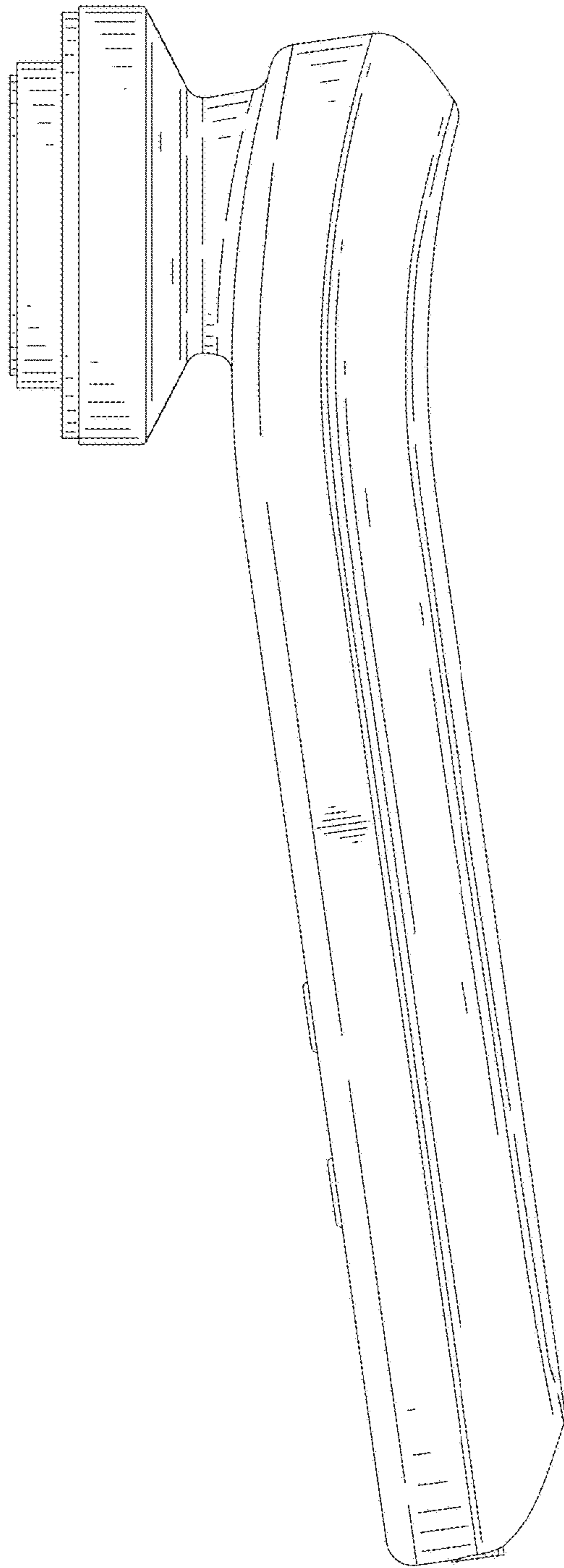


FIG. 4

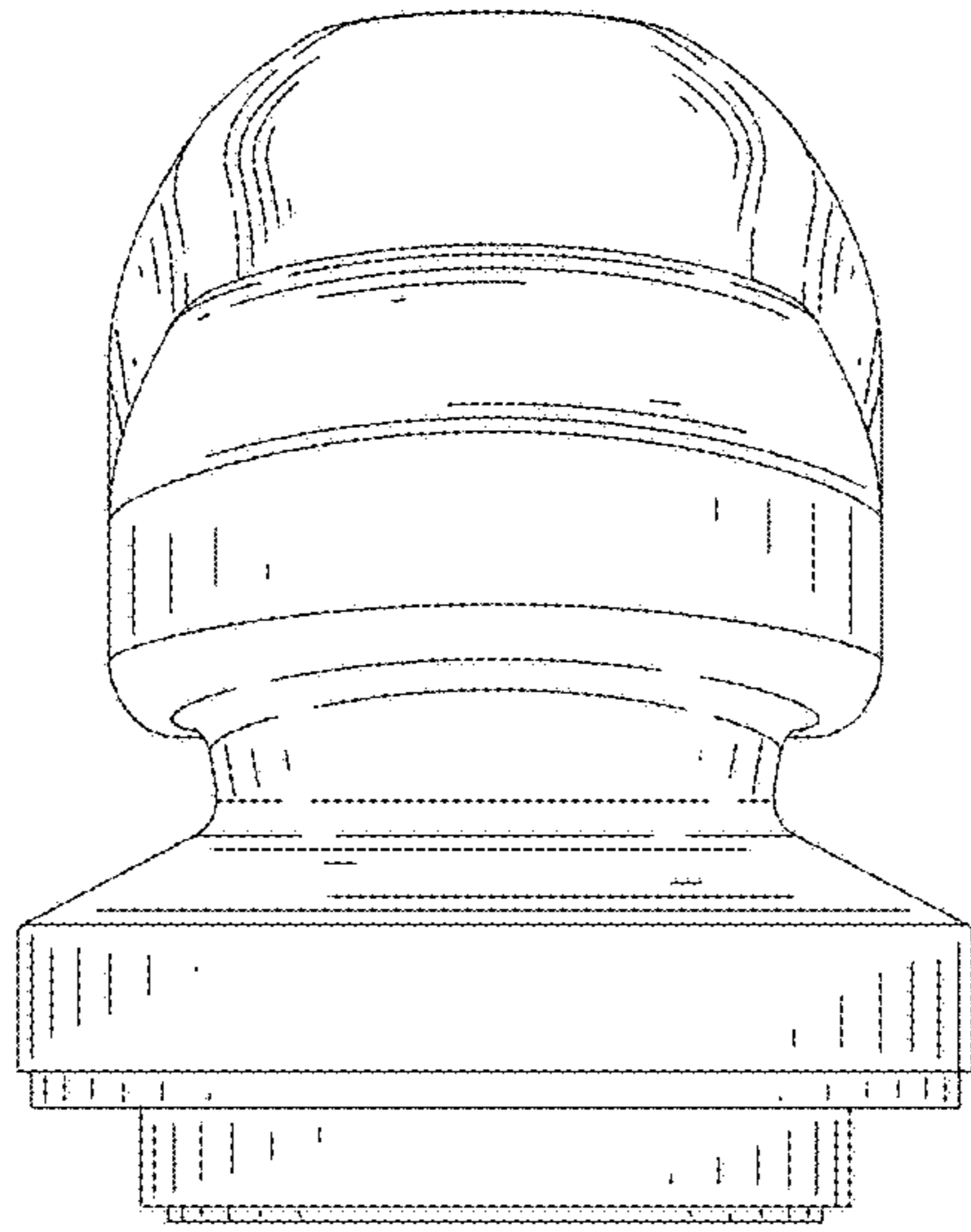


FIG. 5

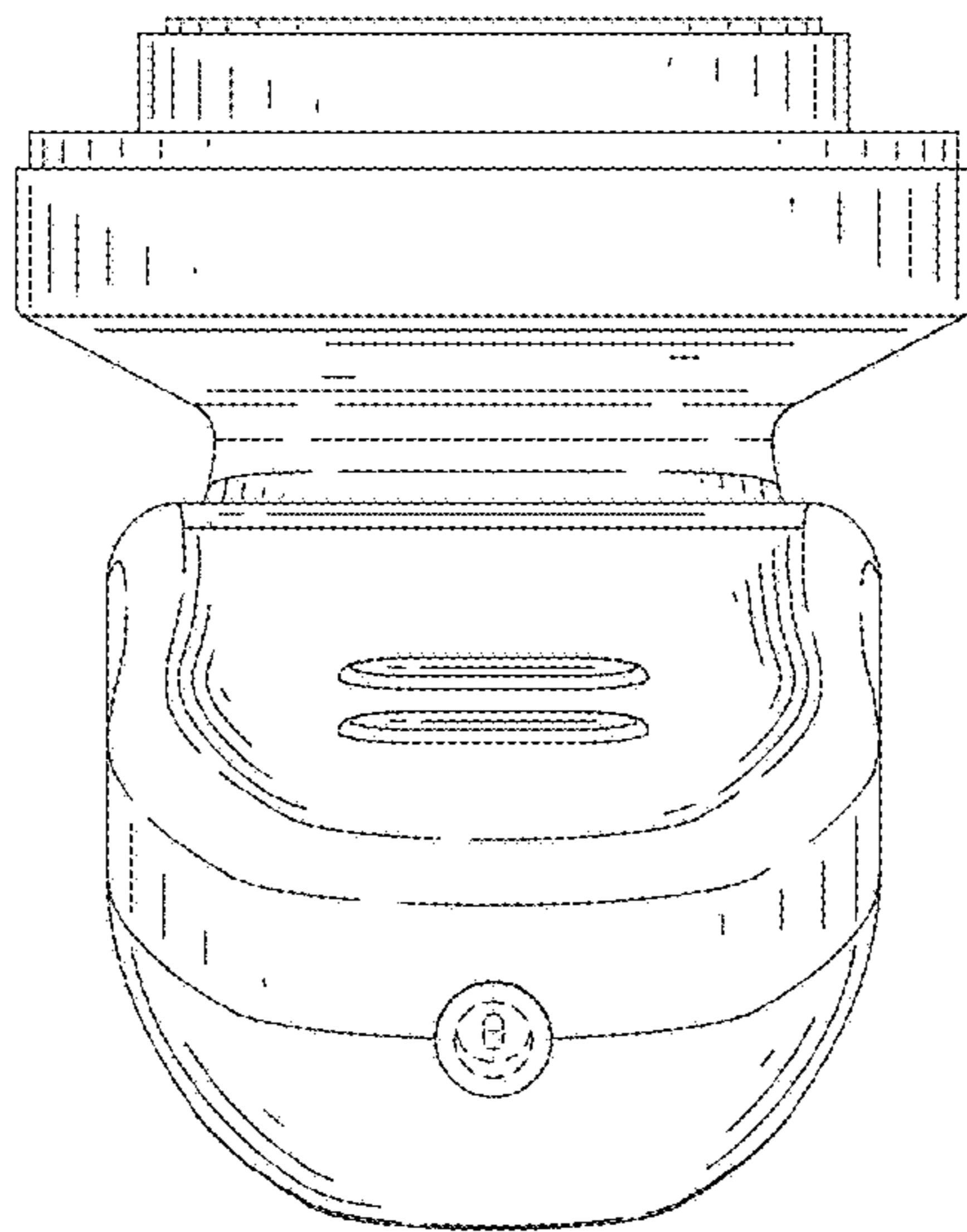


FIG. 6

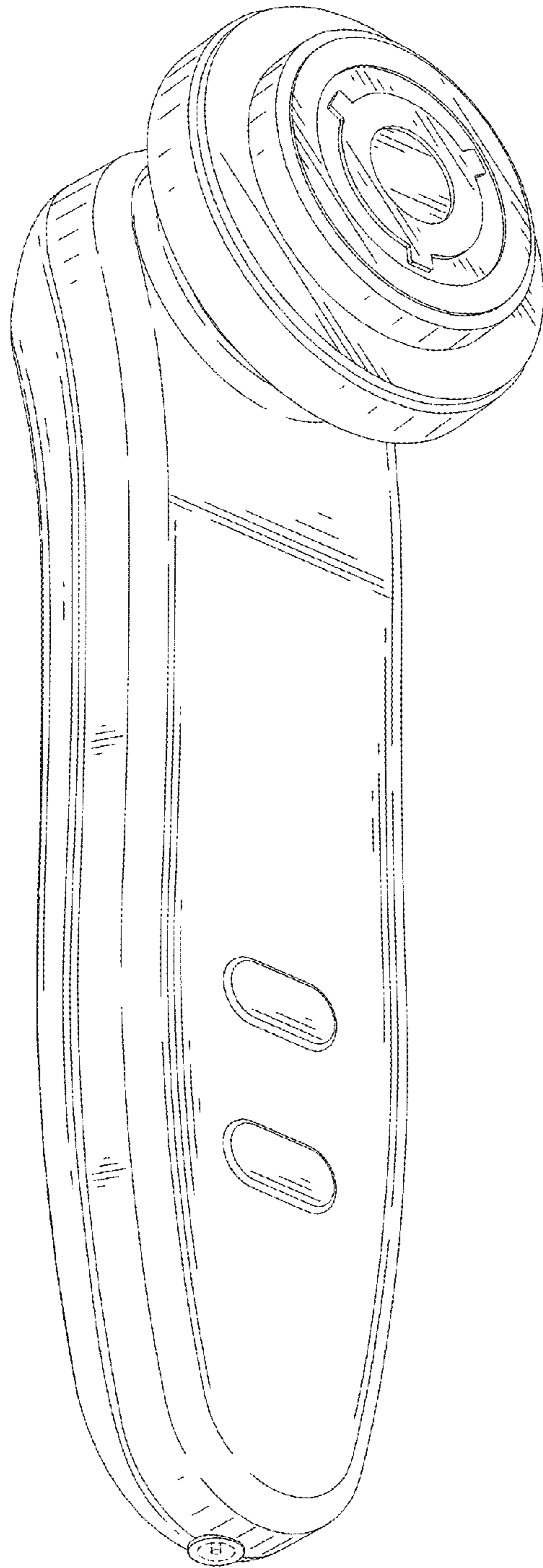


FIG. 7