



US00D857906S

(12) **United States Design Patent**
Wang

(10) **Patent No.:** **US D857,906 S**

(45) **Date of Patent:** **** Aug. 27, 2019**

(54) **HEALTH-REGAIN DEVICE**

(71) Applicant: **Jiang Wang**, Nantong (CN)

(72) Inventor: **Jiang Wang**, Nantong (CN)

(**) Term: **15 Years**

(21) Appl. No.: **29/640,500**

(22) Filed: **Mar. 15, 2018**

(30) **Foreign Application Priority Data**

Sep. 15, 2017 (CN) 2017 3 0439714

(51) **LOC (12) Cl.** **28-03**

(52) **U.S. Cl.**
USPC **D24/200**

(58) **Field of Classification Search**
USPC D24/200, 215; 601/19, 23, 35, 63-67,
601/70, 84
CPC A61H 1/00; A61H 1/005; A61H 1/0218;
A61H 1/0292; A61H 7/001; A61H 7/002;
A61H 7/004; A61H 7/007; A61H
2201/0134; A61H 2201/0138; A61H
2201/0149; A61H 2201/0157; A61H
2205/081

See application file for complete search history.

(56) **References Cited**

U.S. PATENT DOCUMENTS

| | | | | |
|--------------|---------|----------|-------|---------|
| D312,694 S * | 12/1990 | Yanazaki | | D24/215 |
| D615,662 S * | 5/2010 | Turner | | D24/200 |
| D619,268 S * | 7/2010 | Sugiyama | | D24/200 |
| D687,958 S * | 8/2013 | Turner | | D24/215 |
| D697,630 S * | 1/2014 | Turner | | D24/215 |
| D820,465 S * | 6/2018 | Chen | | D24/215 |

OTHER PUBLICATIONS

“Ortho lumbar traction for waist care, ack heating message device,” (2017). Retrieved on Mar. 27, 2019. Retrieved from: https://www.alibaba.com/product-detail/Ortho-lumbar-traction-FOR-Waist-care_60604992340.html.*

“Posture Pump® Back Pump® Elliptical Back Rocker Rocker™ (Model 2000),” retrieved on Mar. 27, 2019. Retrieved from: https://posturepump.com/posture-pumpr-elliptical-back-rockertm-model-2000.html?gclid=EAlalQobChMlm7_5jlWj4QIV0ODICh2C-QjrEAQYCCABEgl.*

* cited by examiner

Primary Examiner — Wan Laymon

(74) *Attorney, Agent, or Firm* — Raymond Y. Chan;
David and Raymond Patent Firm

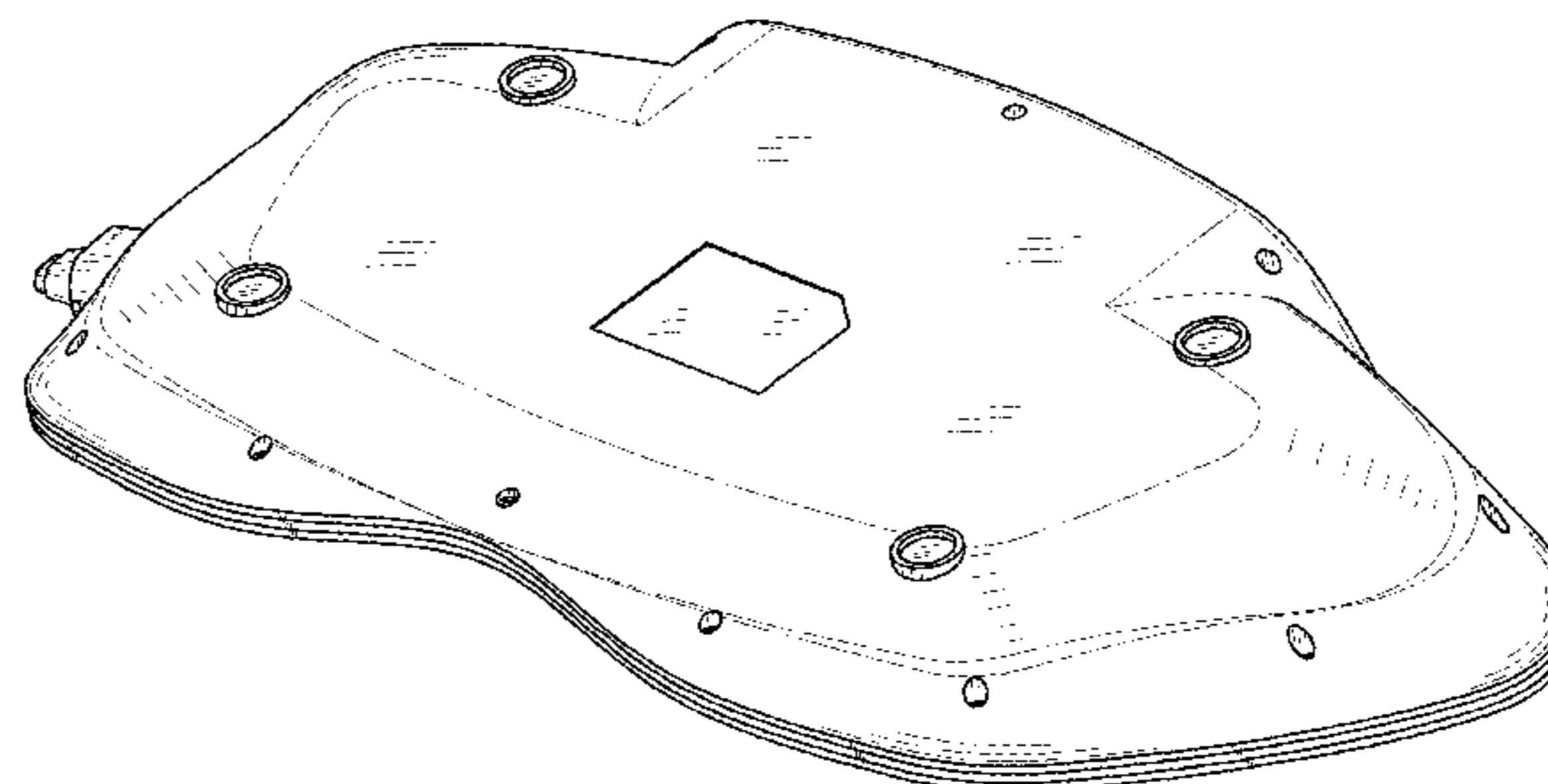
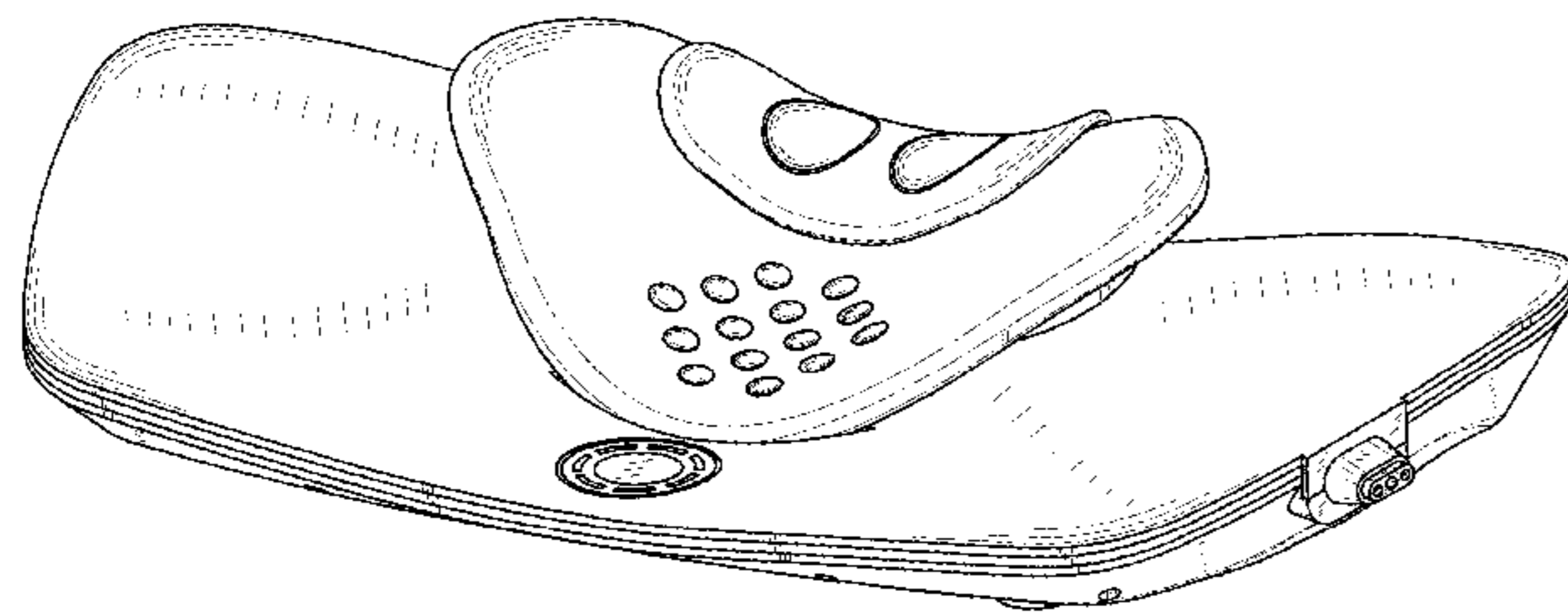
(57) **CLAIM**

The ornamental design for a health-regain device, as shown and described.

DESCRIPTION

FIG. 1 is a perspective view of a health-regain device showing my new design;
FIG. 2 is another perspective view thereof;
FIG. 3 is a front view thereof;
FIG. 4 is a rear view thereof;
FIG. 5 is a left view thereof;
FIG. 6 is a right view thereof;
FIG. 7 is a top view thereof; and,
FIG. 8 is a bottom view thereof.

1 Claim, 8 Drawing Sheets



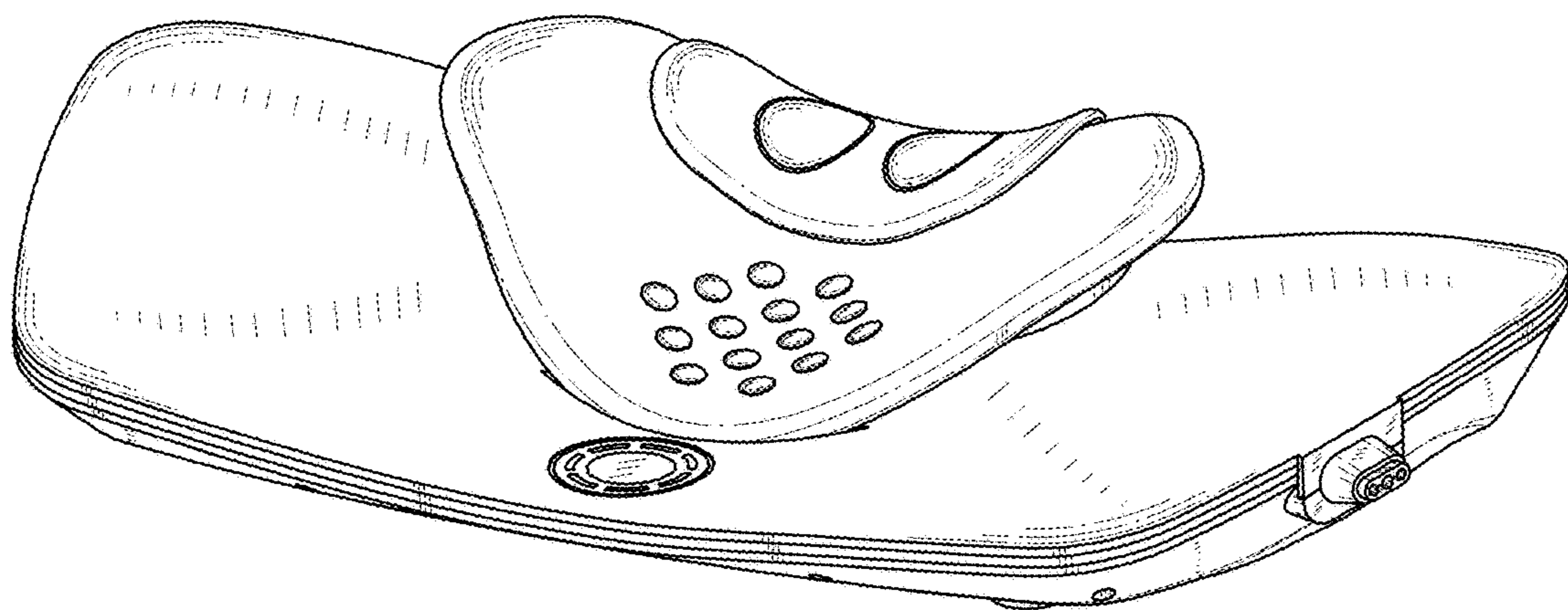


FIG.1

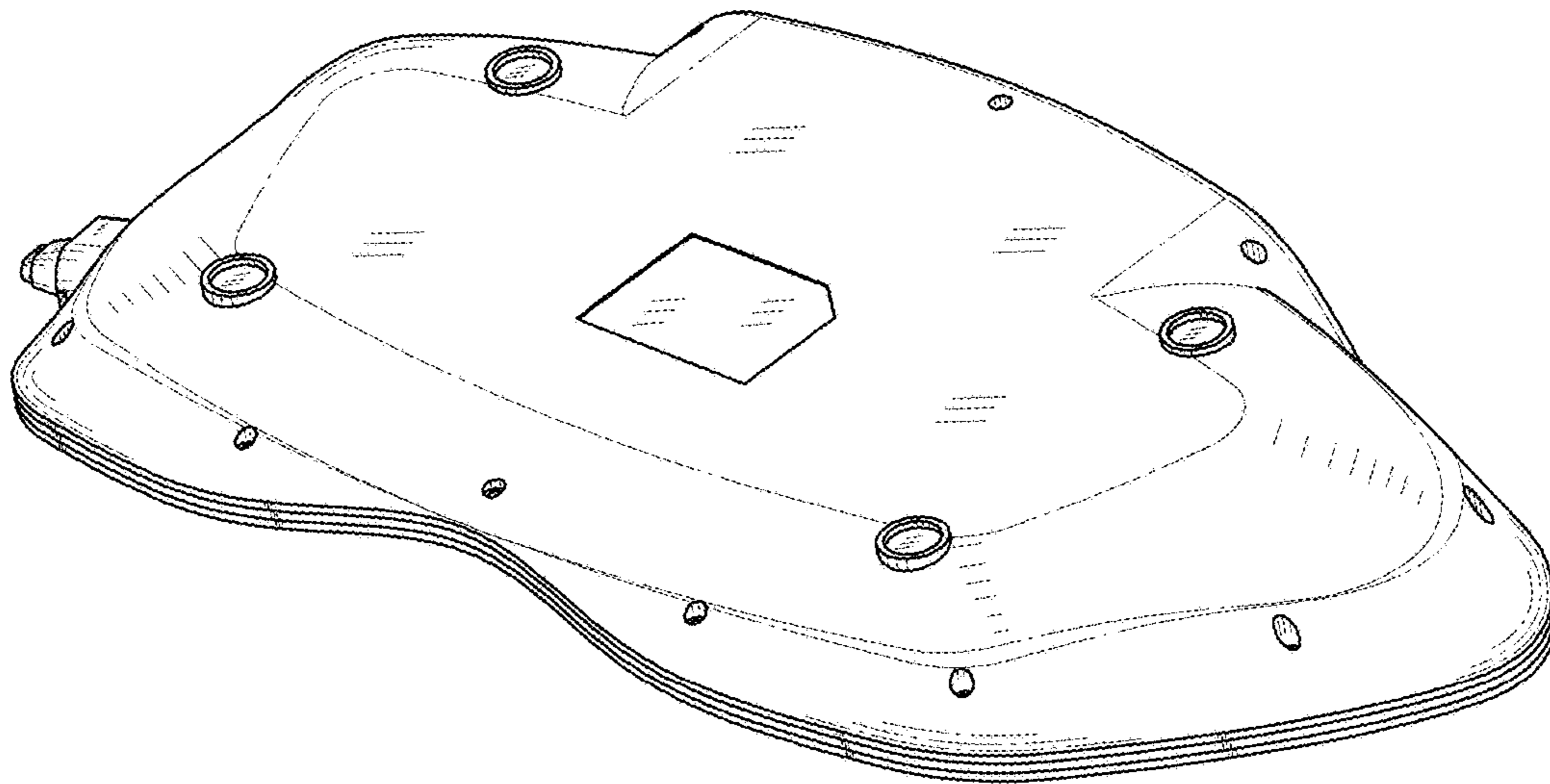


FIG.2

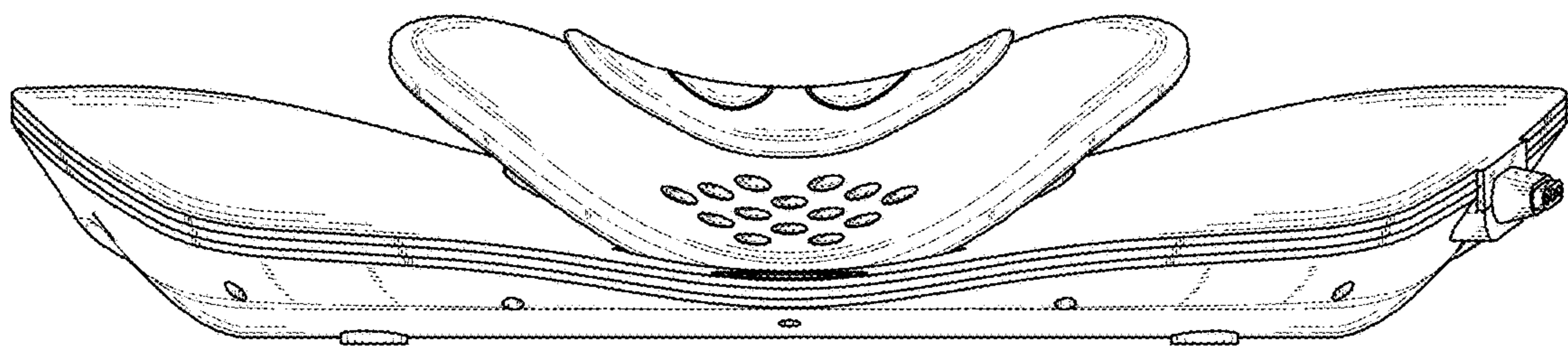


FIG.3

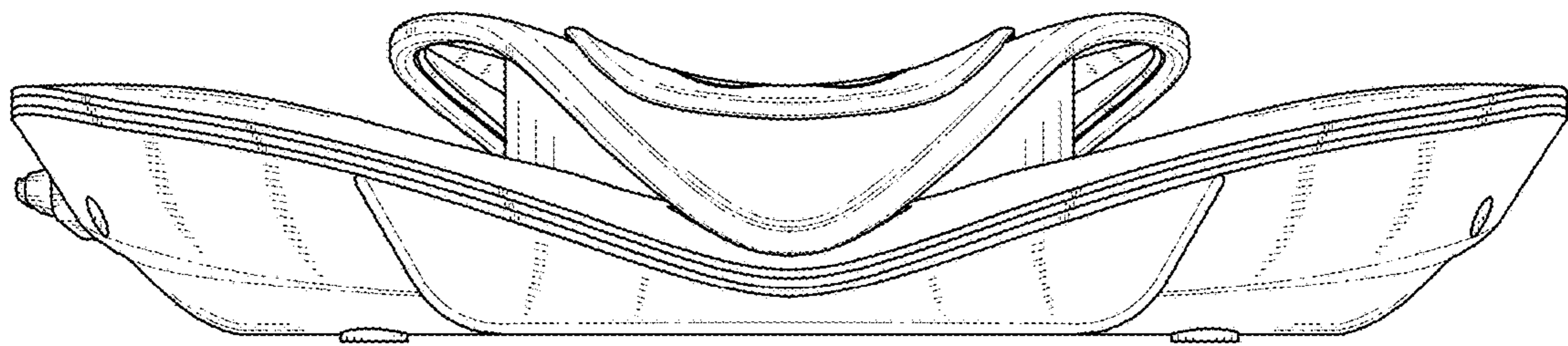


FIG.4

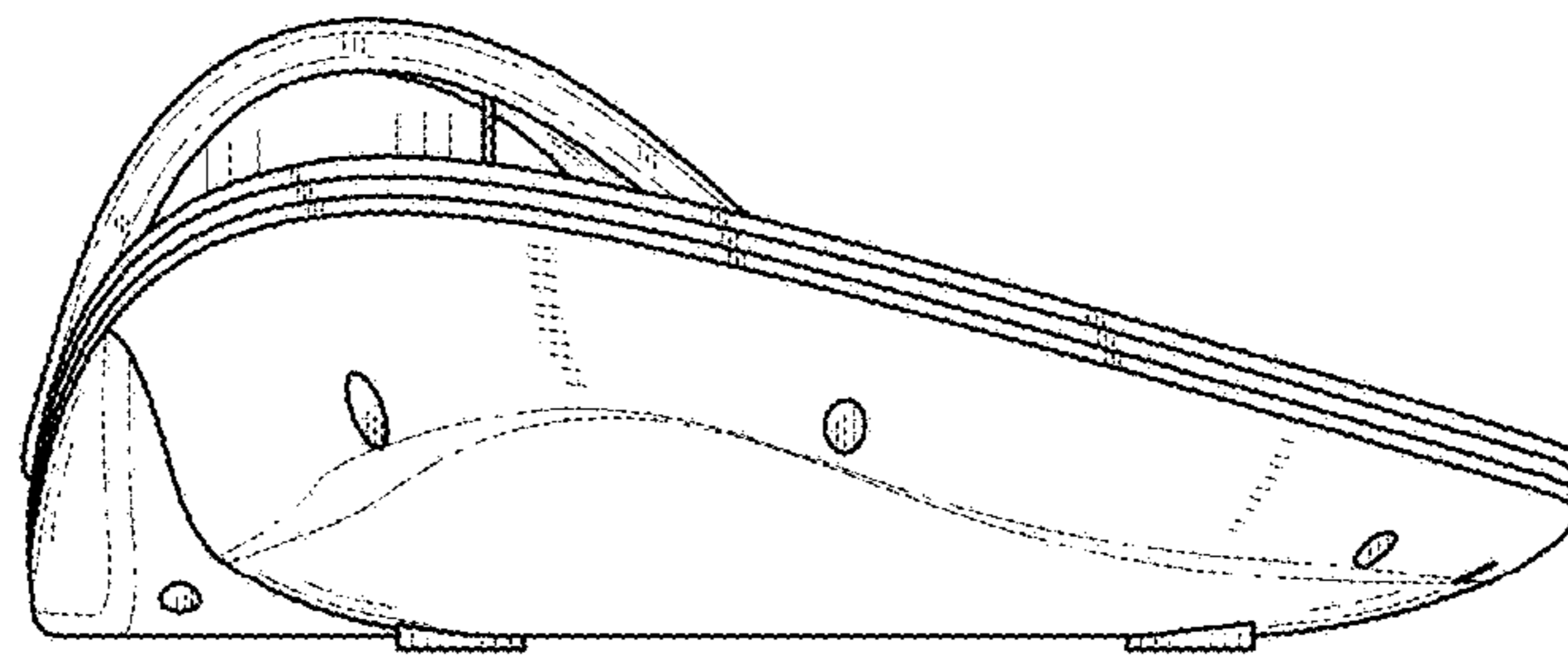


FIG.5

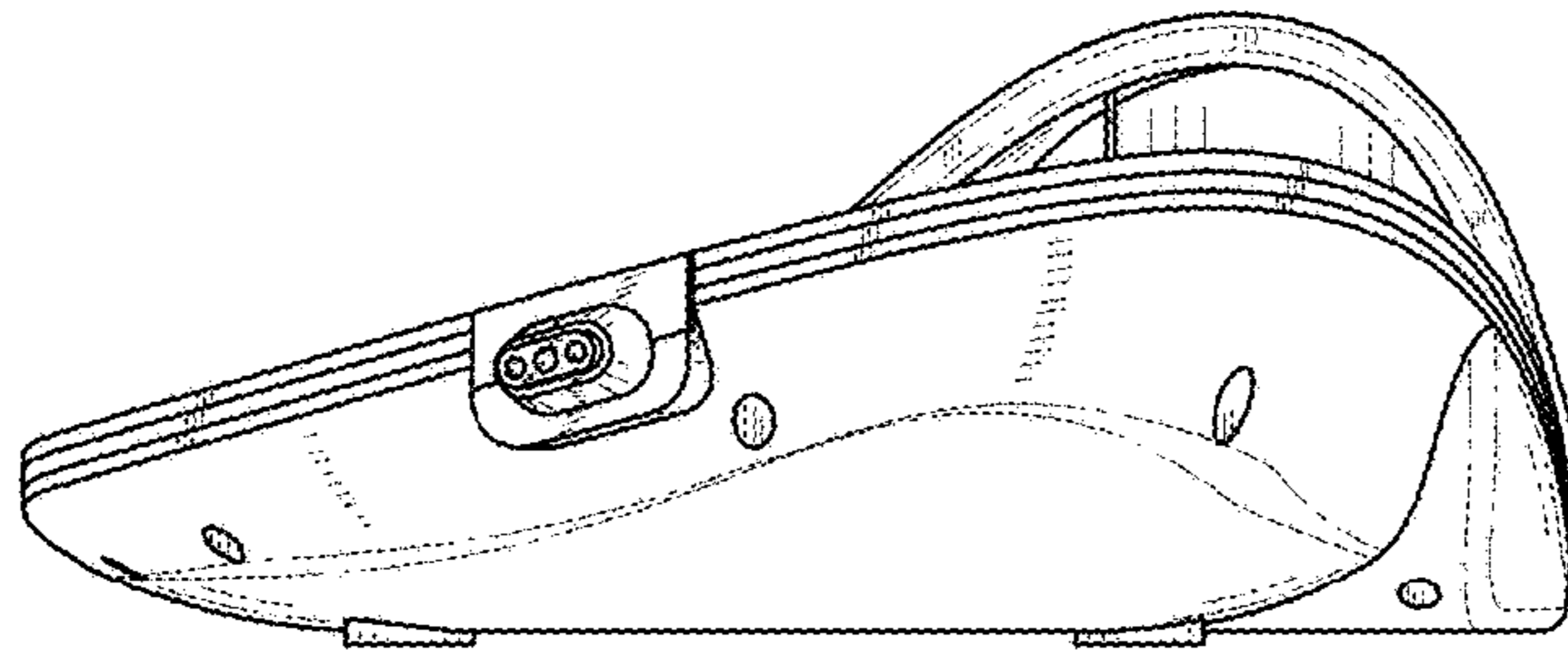


FIG.6

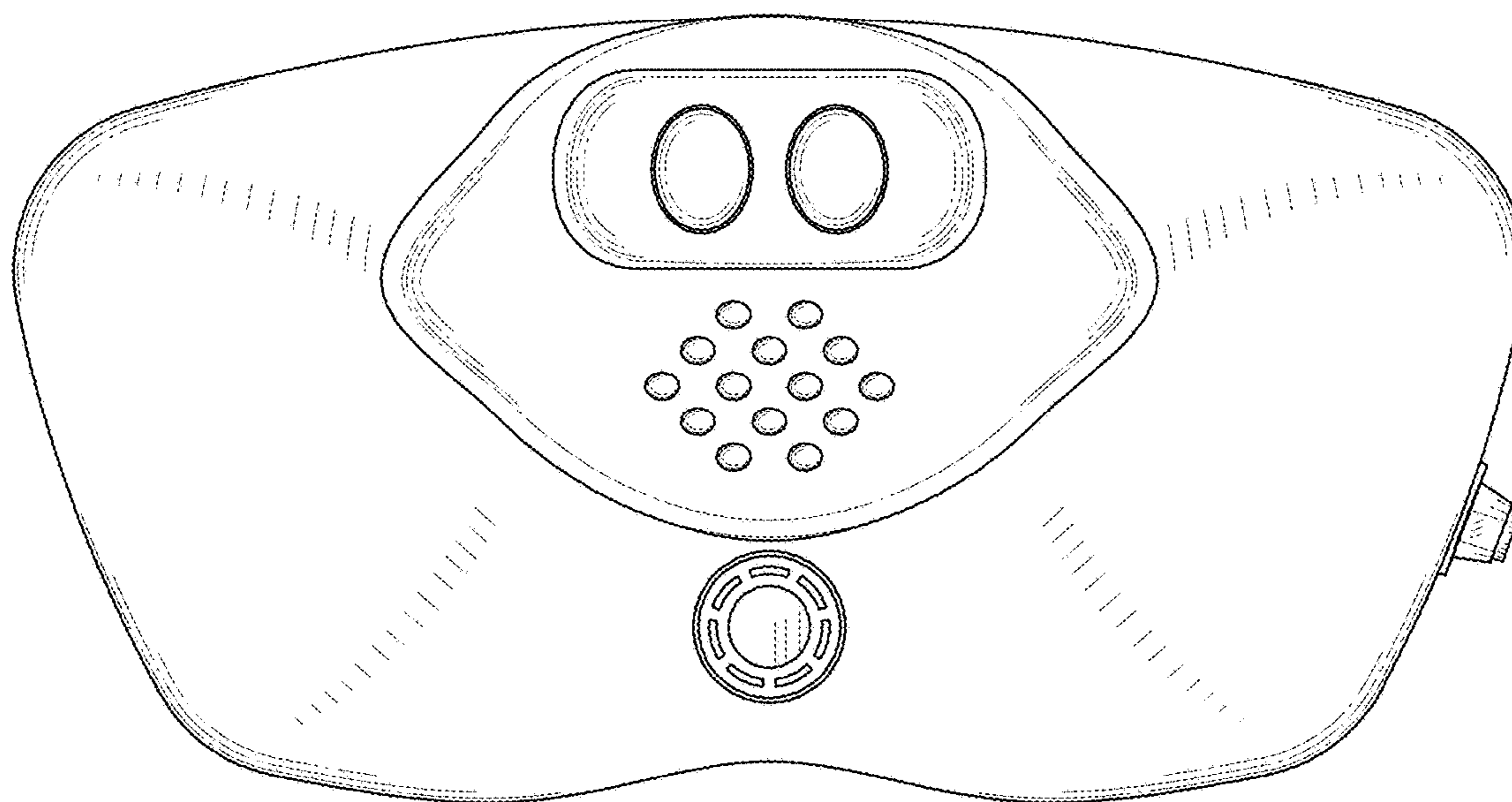


FIG.7

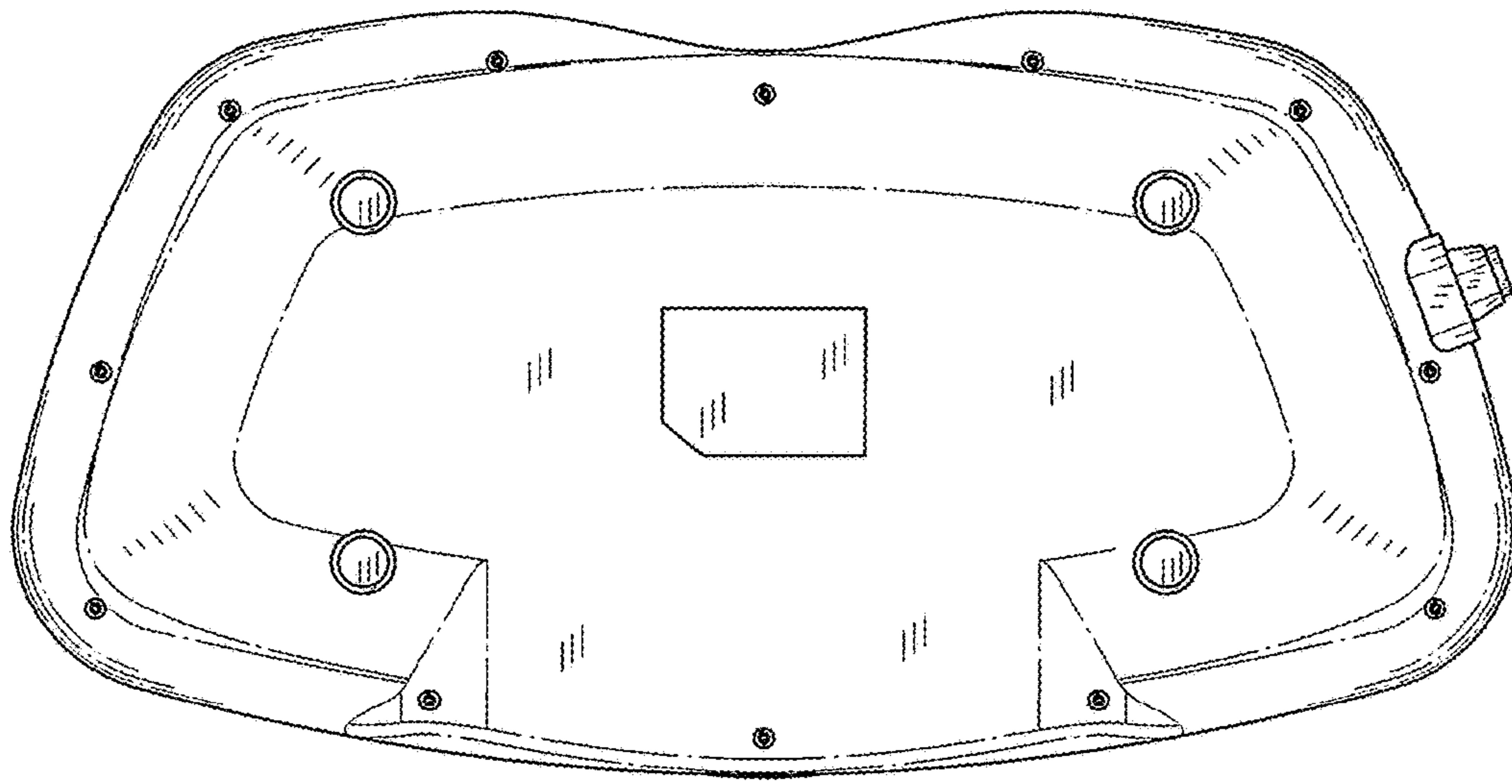


FIG.8