



US00D857905S

(12) **United States Design Patent** (10) **Patent No.:** **US D857,905 S**  
**Sandberg** (45) **Date of Patent:** **\*\* Aug. 27, 2019**

(54) **SOOTHER**  
(71) Applicant: **KONINKLIJKE PHILIPS N.V.**,  
Eindhoven (NL)  
(72) Inventor: **Emma Stina Katarina Sandberg**,  
Amsterdam (NL)  
(73) Assignee: **KONINKLIJKE PHILIPS N.V.**,  
Eindhoven (NL)

D541,422 S \* 4/2007 Pils ..... D24/194  
D599,026 S \* 8/2009 Cudworth ..... D24/194  
D636,884 S \* 4/2011 Roehrig ..... D24/194  
D645,154 S \* 9/2011 Belluzzi ..... D24/194  
D663,037 S \* 7/2012 Lopez ..... D24/194  
D671,652 S \* 11/2012 Middleton ..... D24/194  
D685,101 S \* 6/2013 Miles ..... D24/195  
D719,268 S \* 12/2014 Recht ..... D24/194

\* cited by examiner

*Primary Examiner* — Eliza Z Bennett-Hattan

(\*\*) Term: **15 Years**

(21) Appl. No.: **35/504,339**

(22) Filed: **Jul. 19, 2017**

(80) **Hague Agreement Data**

Int. Filing Date: **Jul. 19, 2017**  
Int. Reg. No.: **DM/097095**  
Int. Reg. Date: **Jul. 19, 2017**  
Int. Reg. Pub. Date: **Jan. 19, 2018**

(30) **Foreign Application Priority Data**

Jan. 22, 2017 (EM) ..... 003683507-0001

(51) **LOC (12) Cl.** ..... **24-04**

(52) **U.S. Cl.**  
USPC ..... **D24/194**

(58) **Field of Classification Search**

USPC ..... D24/194, 196  
CPC ..... A61J 17/001  
See application file for complete search history.

(56) **References Cited**

**U.S. PATENT DOCUMENTS**

D273,991 S \* 5/1984 Moore ..... D24/194  
D285,839 S \* 9/1986 Roehrig ..... D24/194

(57) **CLAIM**

The ornamental design for a soother, as shown and described.

**DESCRIPTION**

The patent or application file contains at least one drawing executed in color. Copies of this patent or patent application publication with color drawing(s) will be provided by the Office upon request and payment of the necessary fee.

1. Soother

1.1 is a top perspective view of the soother showing my new design;

1.2 is a right side elevational view thereof;

1.3 is a left side elevational view thereof;

1.4 is a front elevational view thereof;

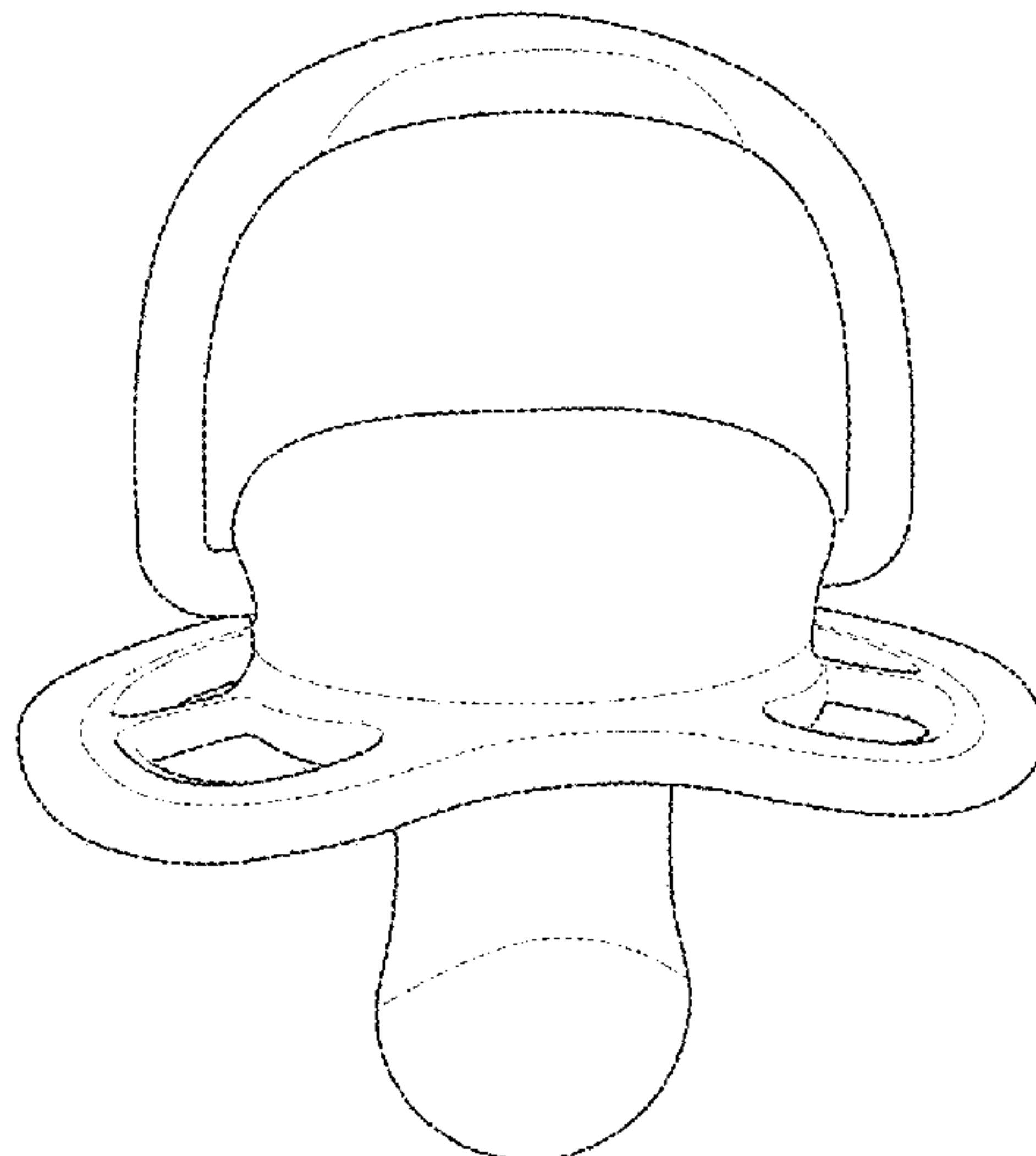
1.5 is a rear elevational view thereof;

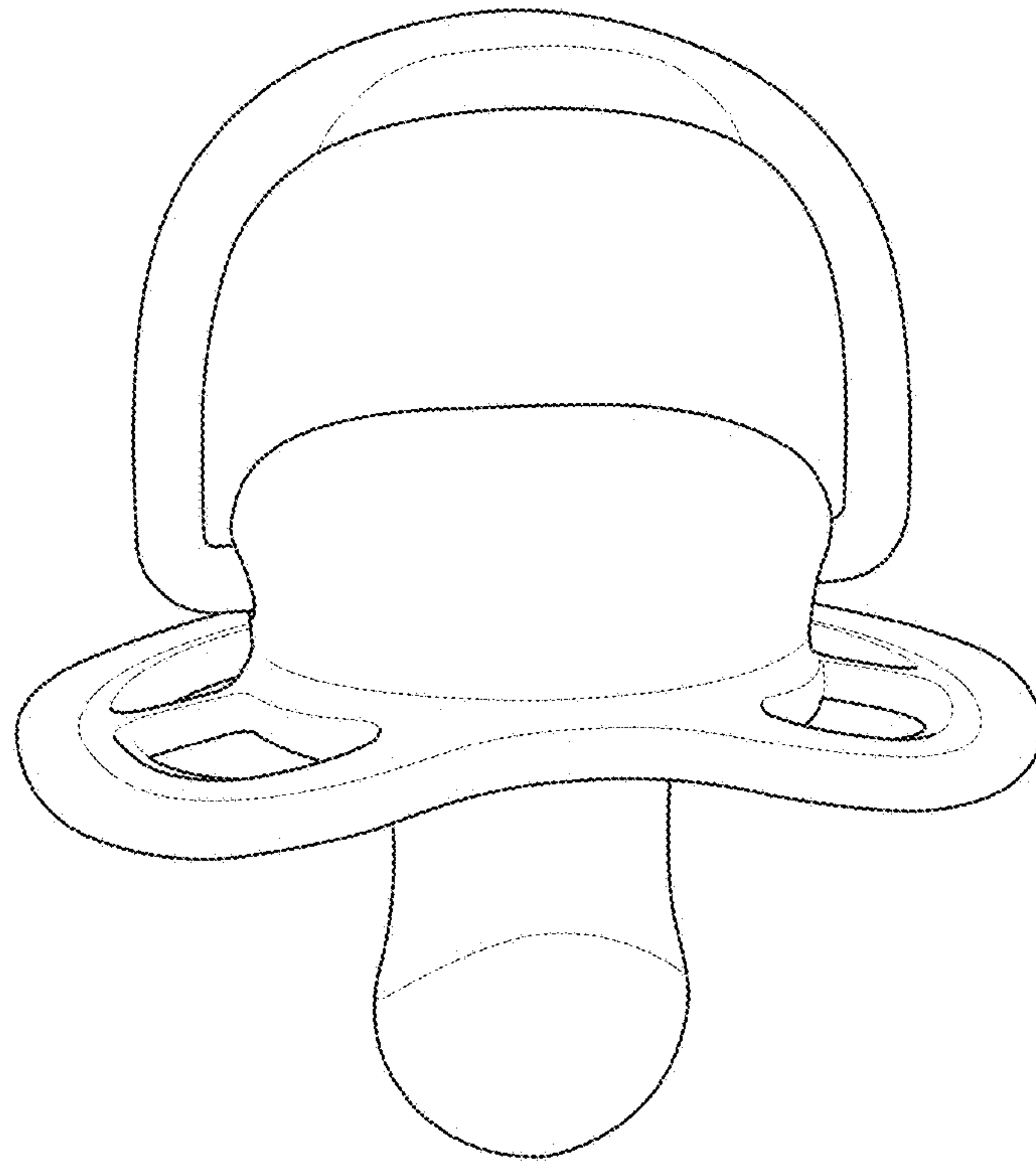
1.6 is a top plan view thereof; and

1.7 is a bottom plan view thereof.

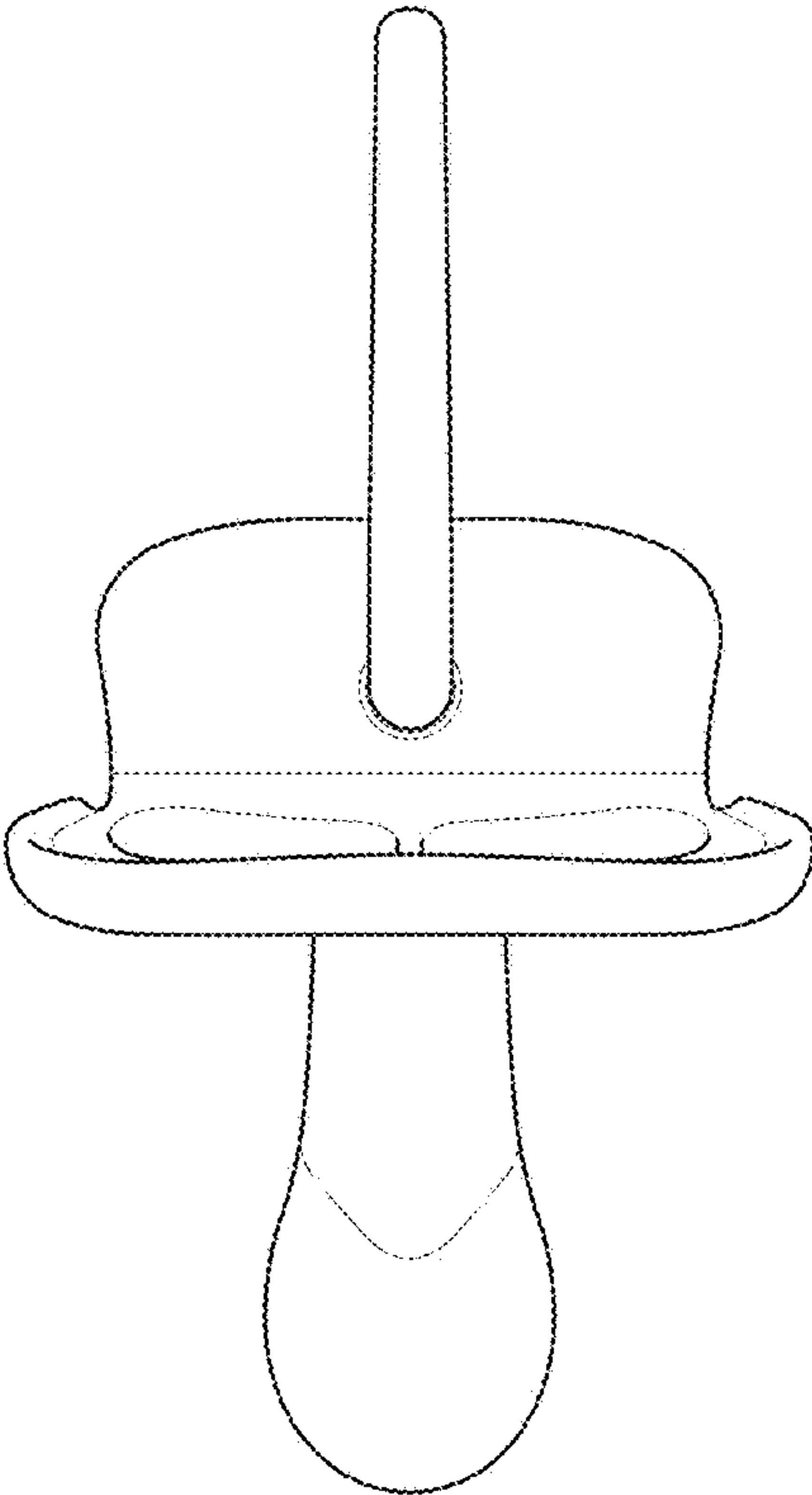
The portions of the soother shown in the color yellow form no part of the claimed design.

**1 Claim, 5 Drawing Sheets**  
**(1 of 5 Drawing Sheet(s) Filed in Color)**

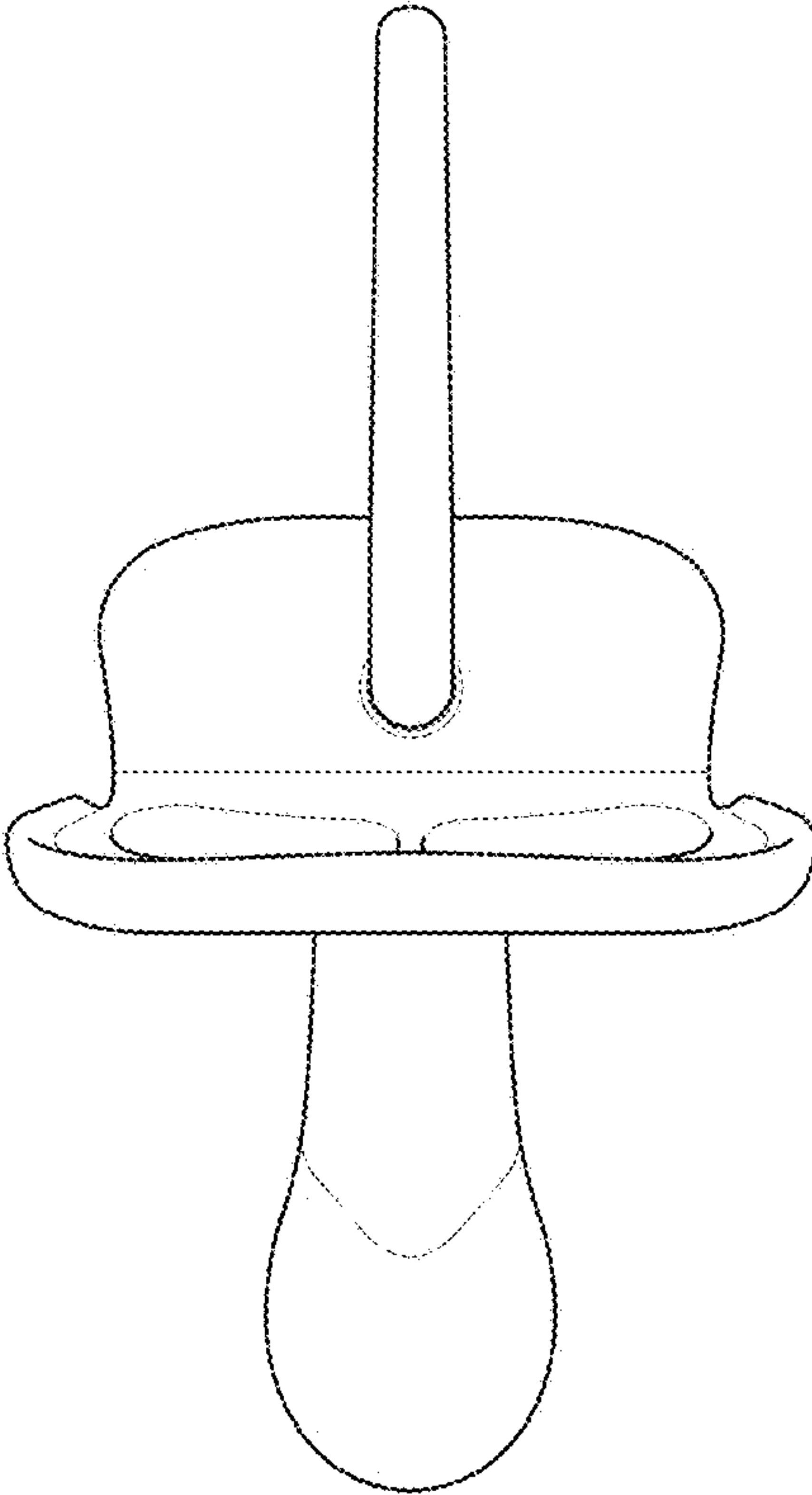




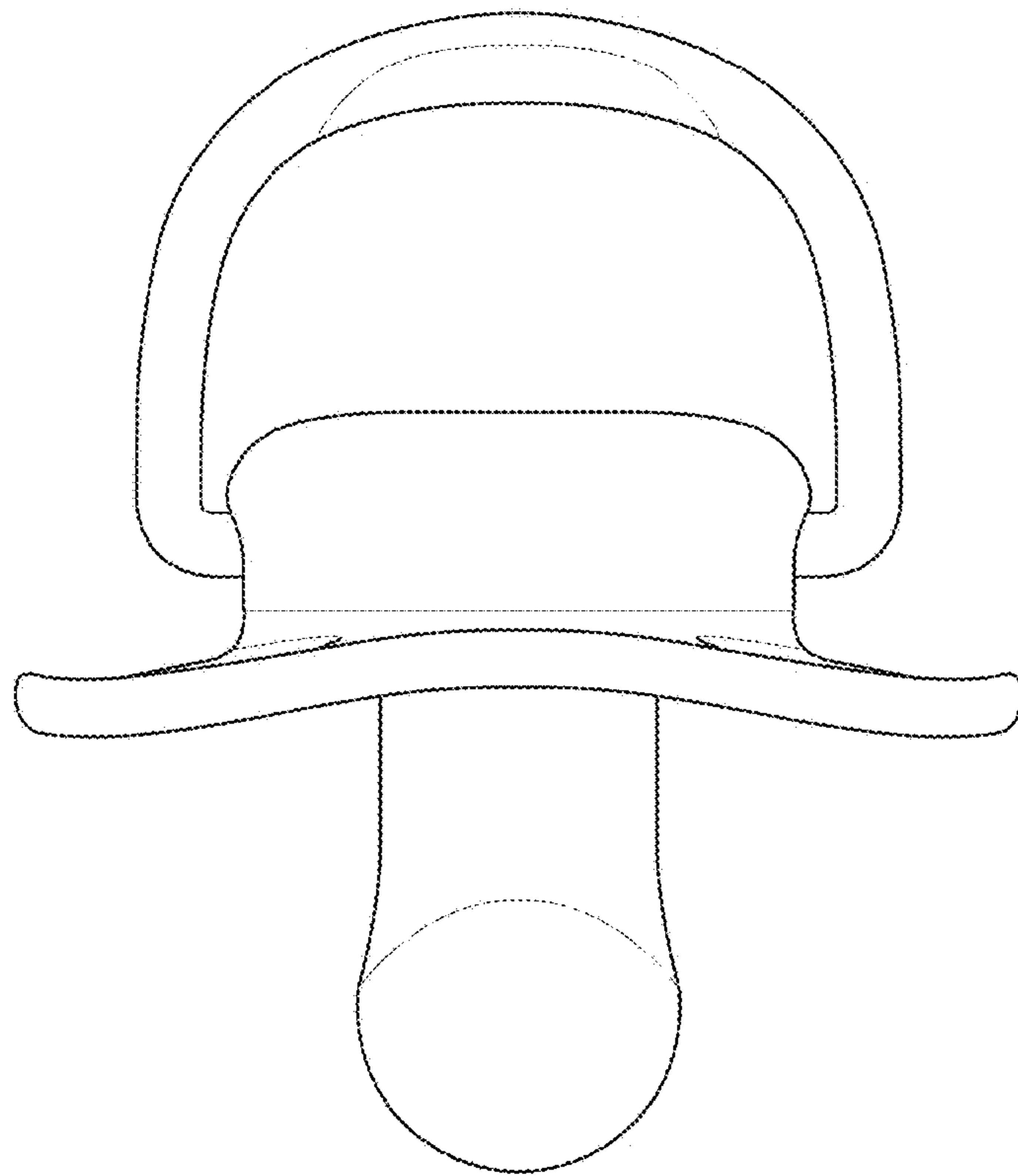
1.1



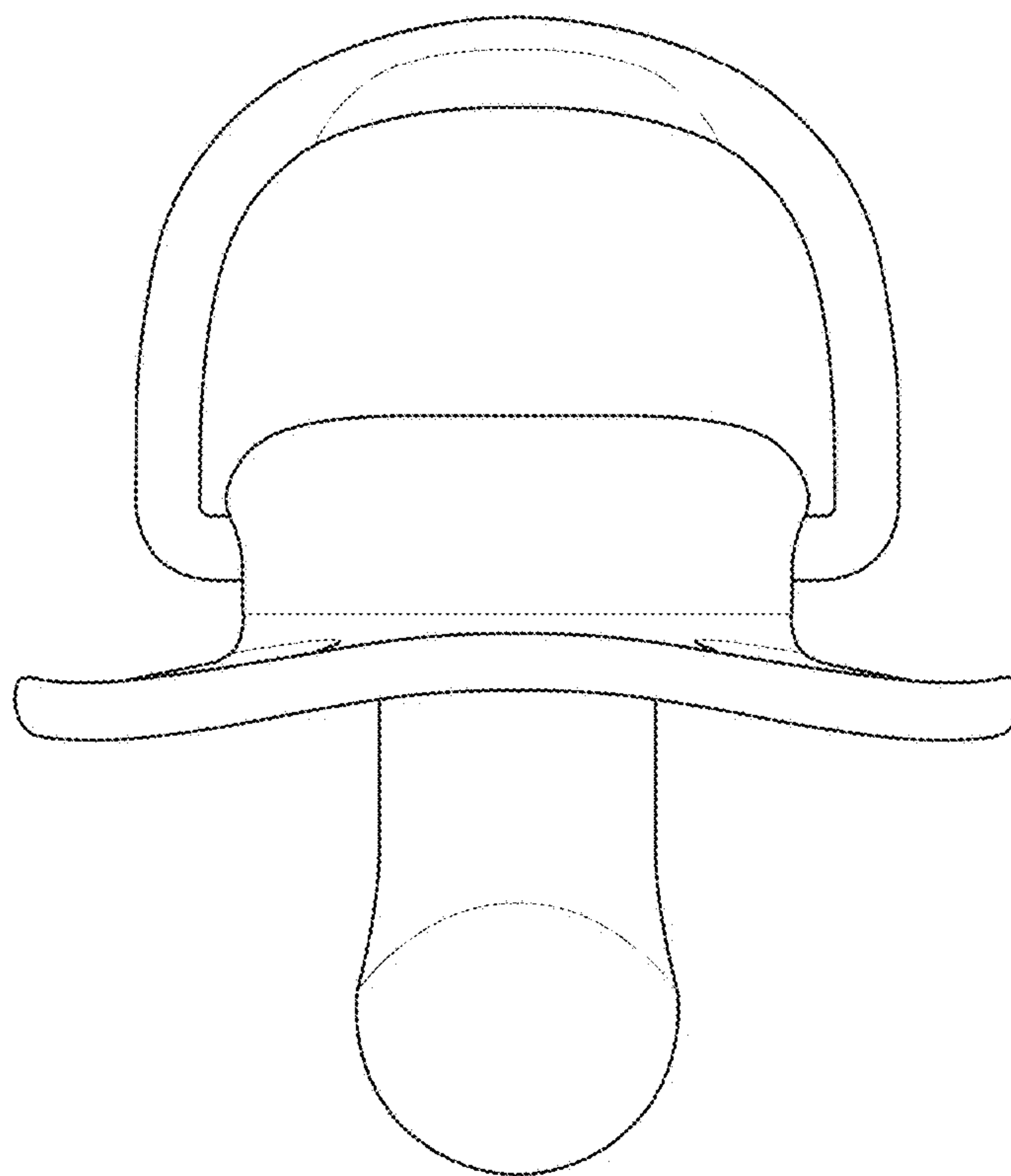
1.2



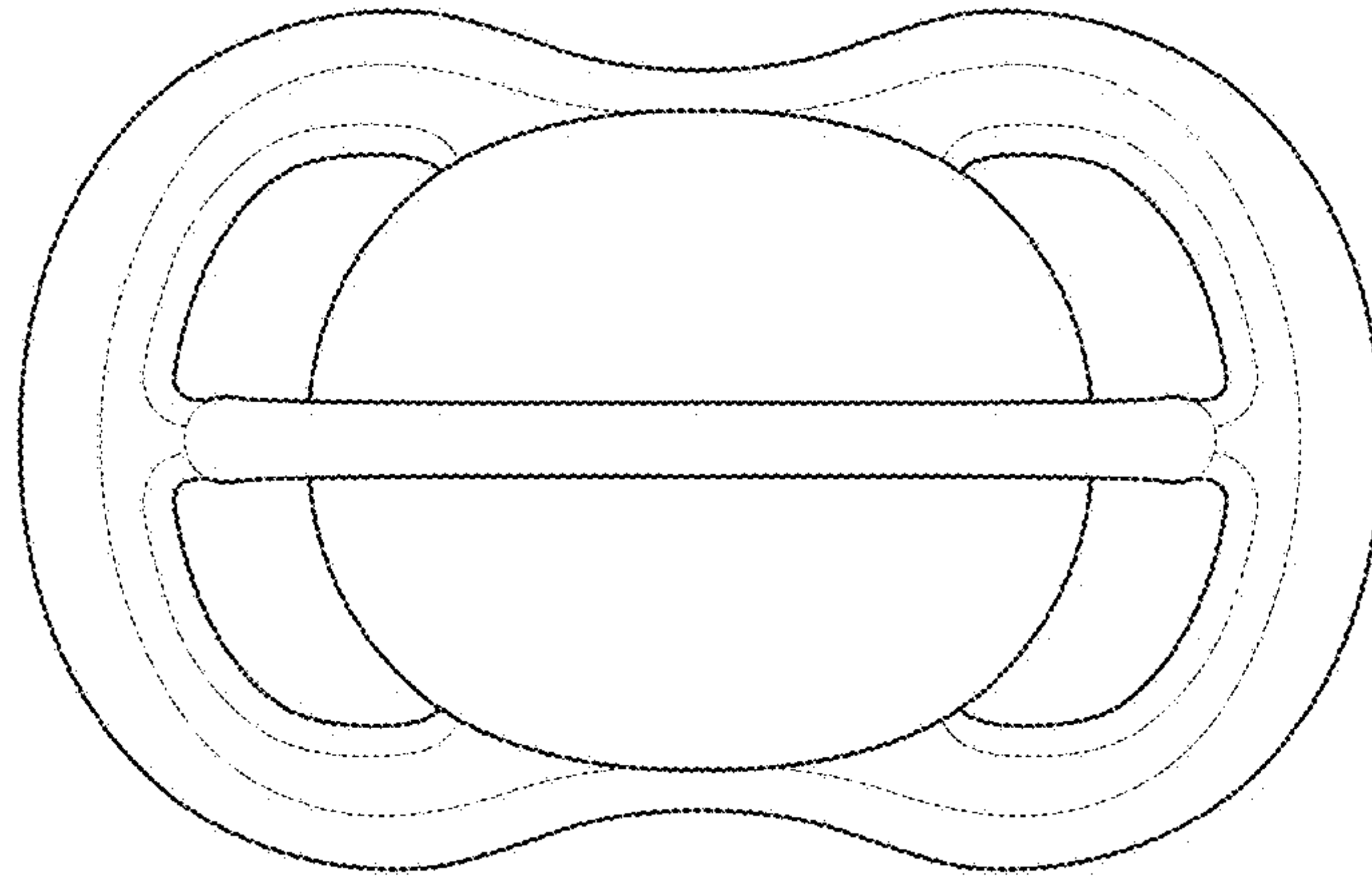
1.3



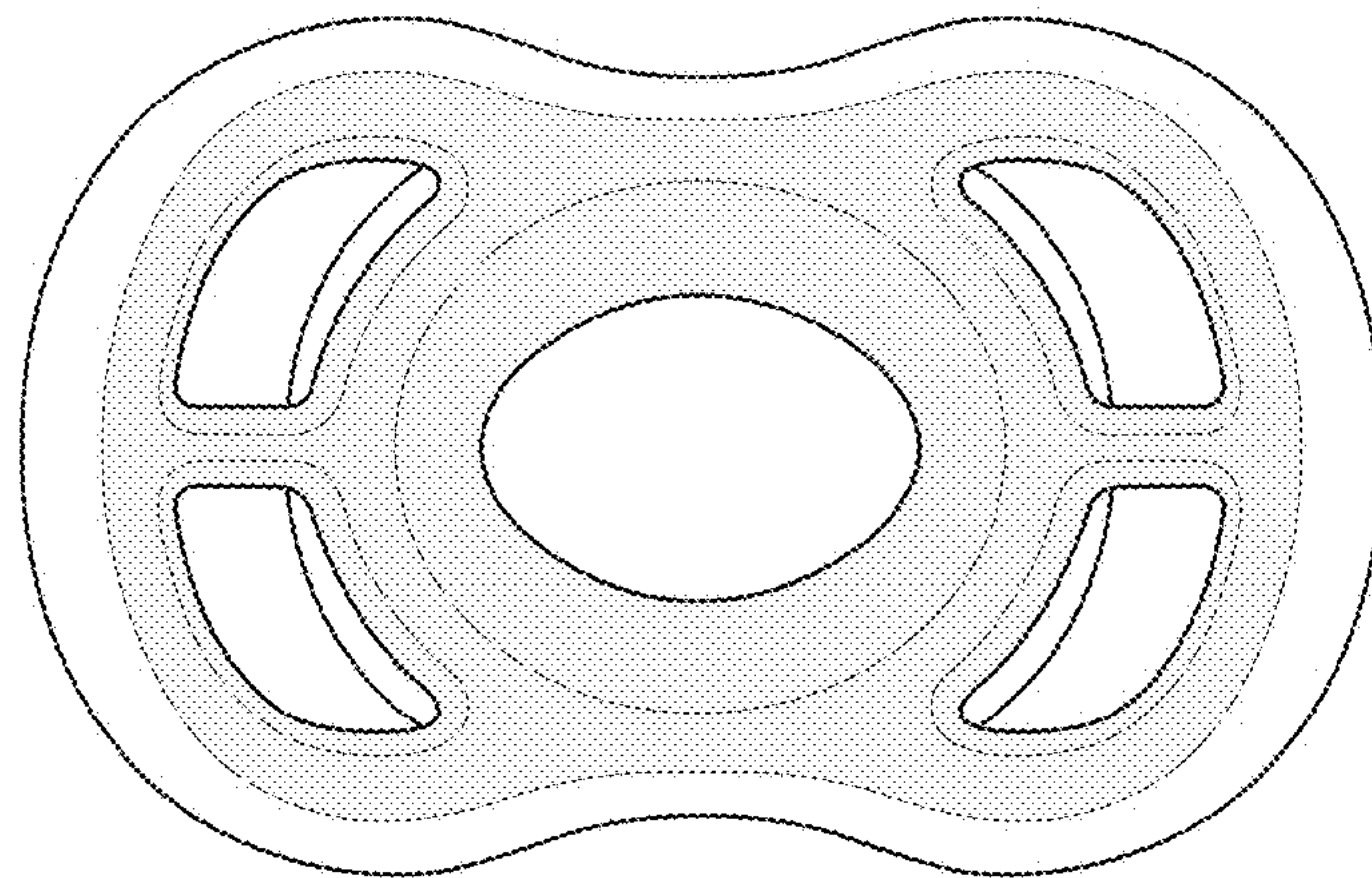
1.4



1.5



1.6



1.7