



US00D857903S

(12) **United States Design Patent**
Esfandiari

(10) **Patent No.:** **US D857,903 S**

(45) **Date of Patent:** **** Aug. 27, 2019**

(54) **RAPID DIAGNOSTIC TEST READER**

(71) Applicant: **Chembio Diagnostic Systems, Inc.**,
Medford, NY (US)

(72) Inventor: **Javanbakhsh Esfandiari**, Stony Brook,
NY (US)

(73) Assignee: **Chembio Diagnostic Systems, Inc.**,
Medford, NY (US)

(**) Term: **15 Years**

(21) Appl. No.: **29/641,493**

(22) Filed: **Mar. 22, 2018**

(51) **LOC (12) Cl.** **24-01**

(52) **U.S. Cl.**

USPC **D24/185; D24/186; D10/81**

(58) **Field of Classification Search**

USPC D10/81; D24/185, 186, 216, 232, 233,
D24/234

CPC G01N 21/78; G01N 33/54373; G01N
33/48785; G01N 33/48792; G01N
33/558; G08B 5/36

See application file for complete search history.

(56) **References Cited**

U.S. PATENT DOCUMENTS

D467,349 S *	12/2002	Niedbala	D24/231
D474,280 S *	5/2003	Niedbala	D24/231
D631,968 S *	2/2011	Sevel	D10/81
D762,860 S *	8/2016	He	D24/186
D827,859 S *	9/2018	Mathers	D24/232
2018/0149600 A1 *	5/2018	Farrell	G01N 21/78

OTHER PUBLICATIONS

Lateral Flow Reader, available at <https://www.lateralflowreader.com>, downloaded from the internet May 10, 2018.

* cited by examiner

Primary Examiner — Antoine Duval Davis

(74) *Attorney, Agent, or Firm* — Gordon & Jacobson,
P.C.

(57) **CLAIM**

The ornamental design for the rapid diagnostic test reader, as shown and described.

DESCRIPTION

FIG. 1 is a top-front perspective view of a rapid diagnostic test reader;

FIG. 2 is a front view of the rapid diagnostic test reader of FIG. 1;

FIG. 3 is a right side view of the rapid diagnostic test reader of FIG. 1

FIG. 4 is a left side view of the rapid diagnostic test reader of FIG. 1;

FIG. 5 is a top view of the rapid diagnostic test reader of FIG. 1;

FIG. 6 is a bottom view of the rapid diagnostic test reader of FIG. 1;

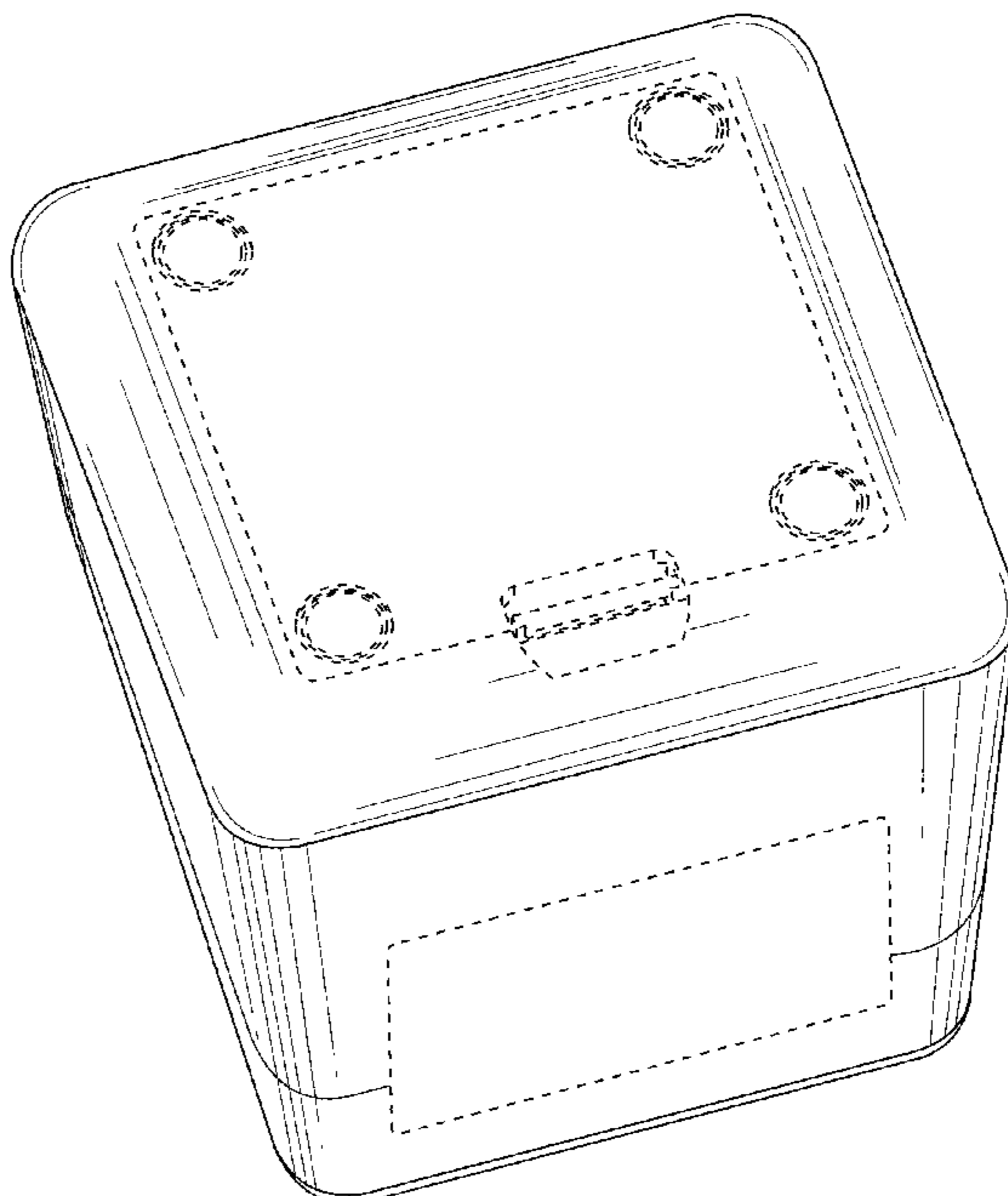
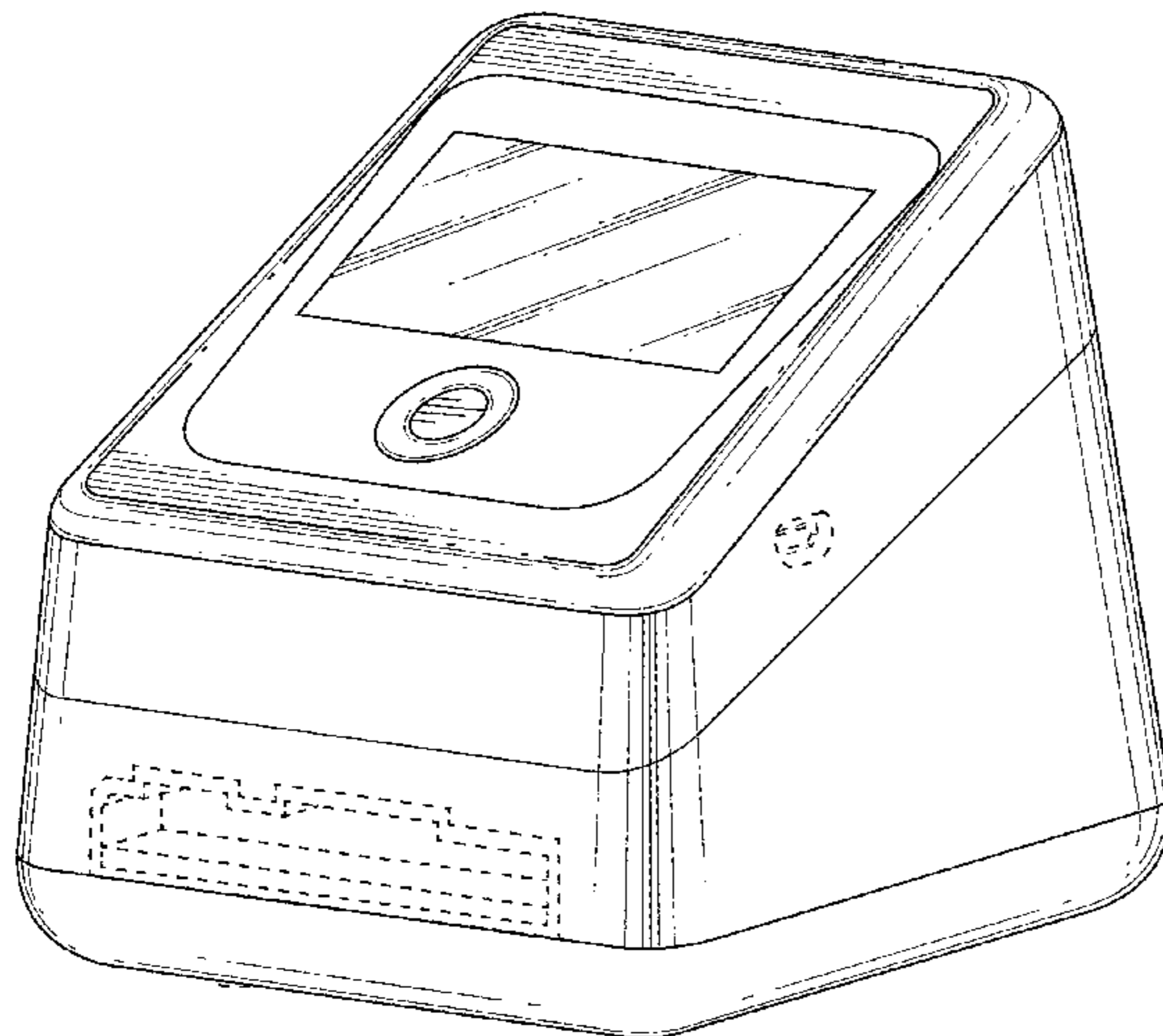
FIG. 7 is a bottom-front perspective view of the rapid diagnostic test reader of FIG. 1;

FIG. 8 is a bottom-back perspective view of the rapid diagnostic test reader of FIG. 1; and,

FIG. 9 is a back view of the rapid diagnostic test reader of FIG. 1.

The broken lines in the drawings are for the purpose of illustrating portions of the rapid diagnostic test reader that form no part of the claimed design.

1 Claim, 9 Drawing Sheets



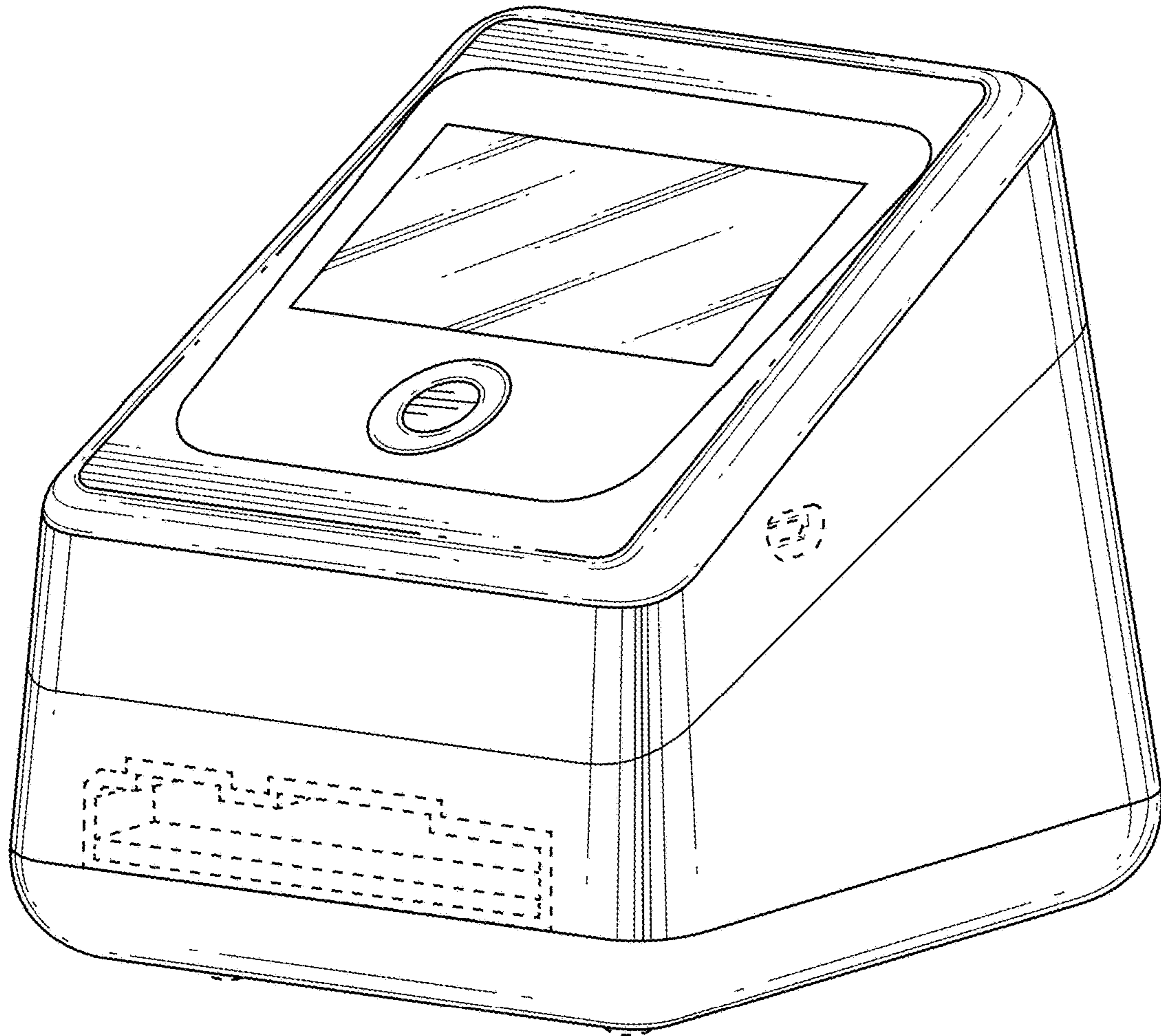


Fig. 1

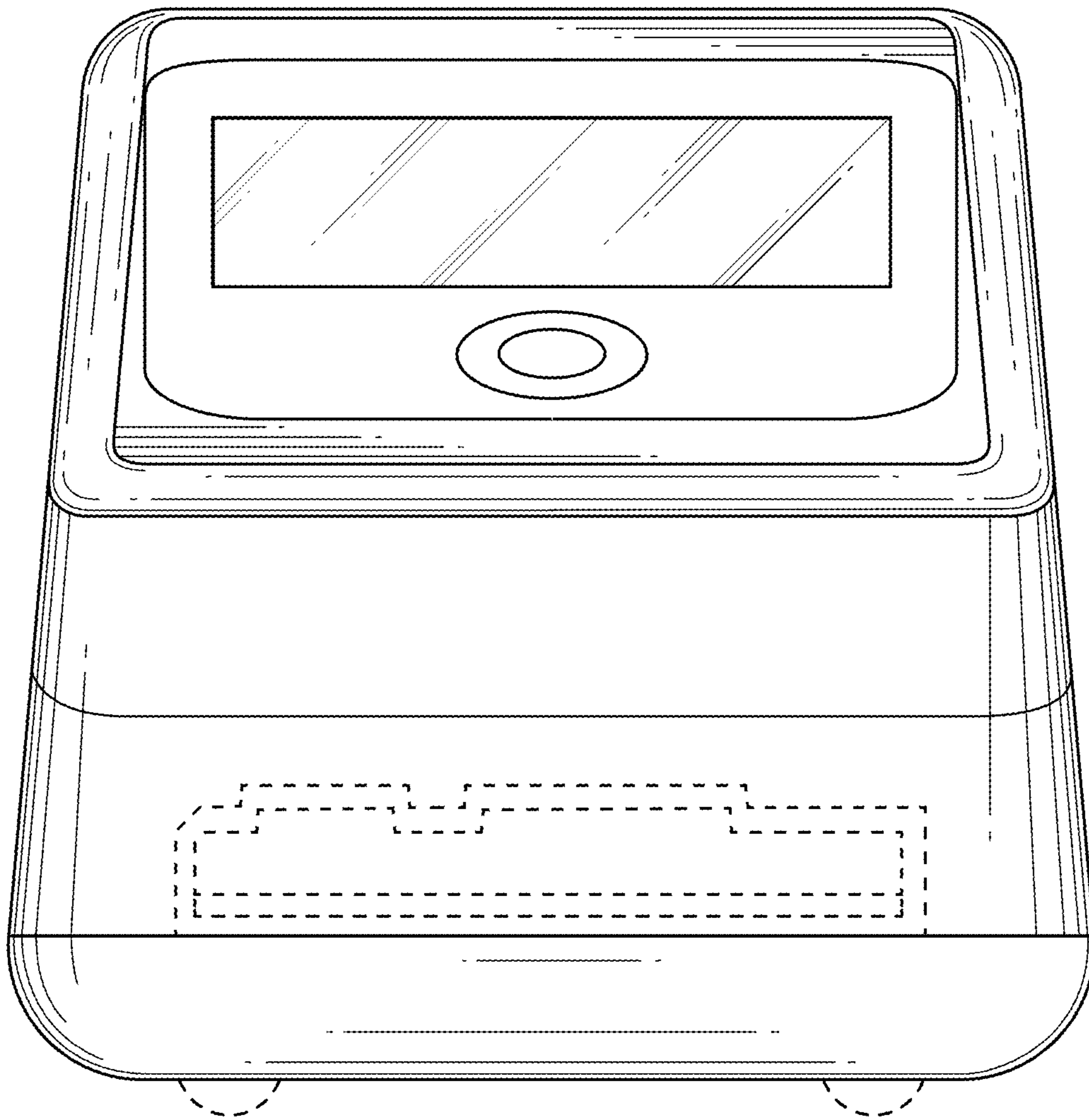


Fig. 2

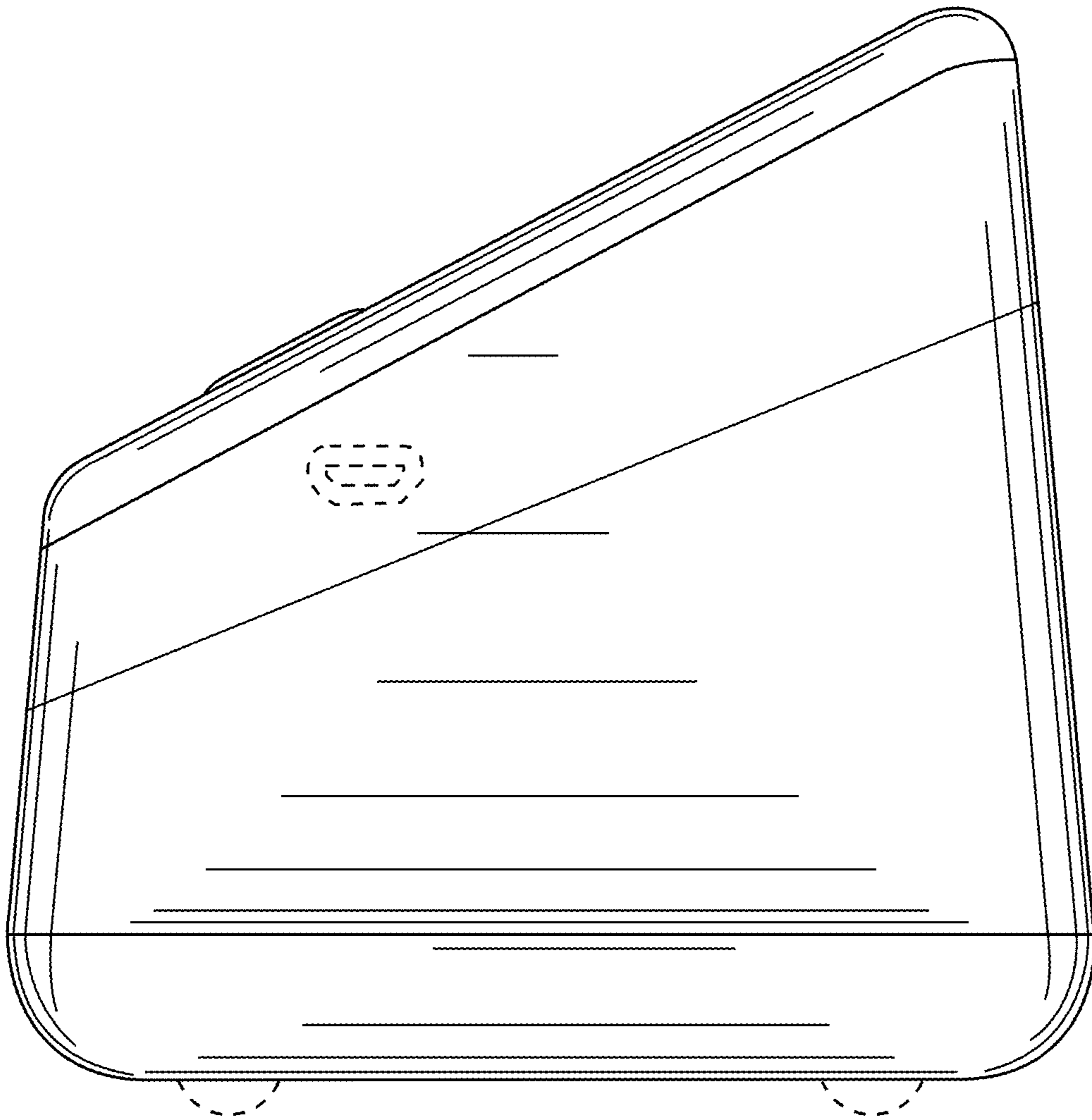


Fig. 3

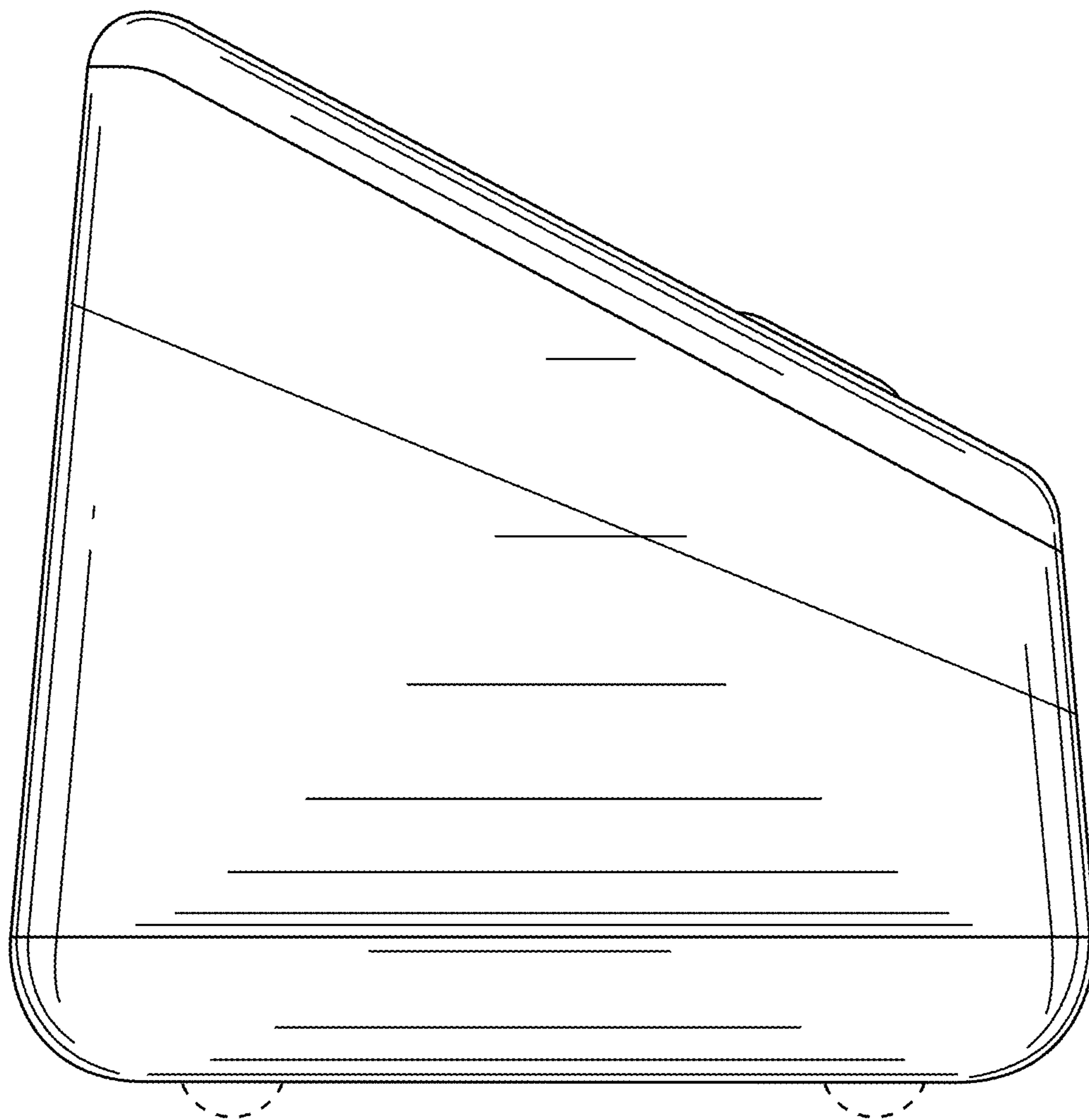


Fig. 4

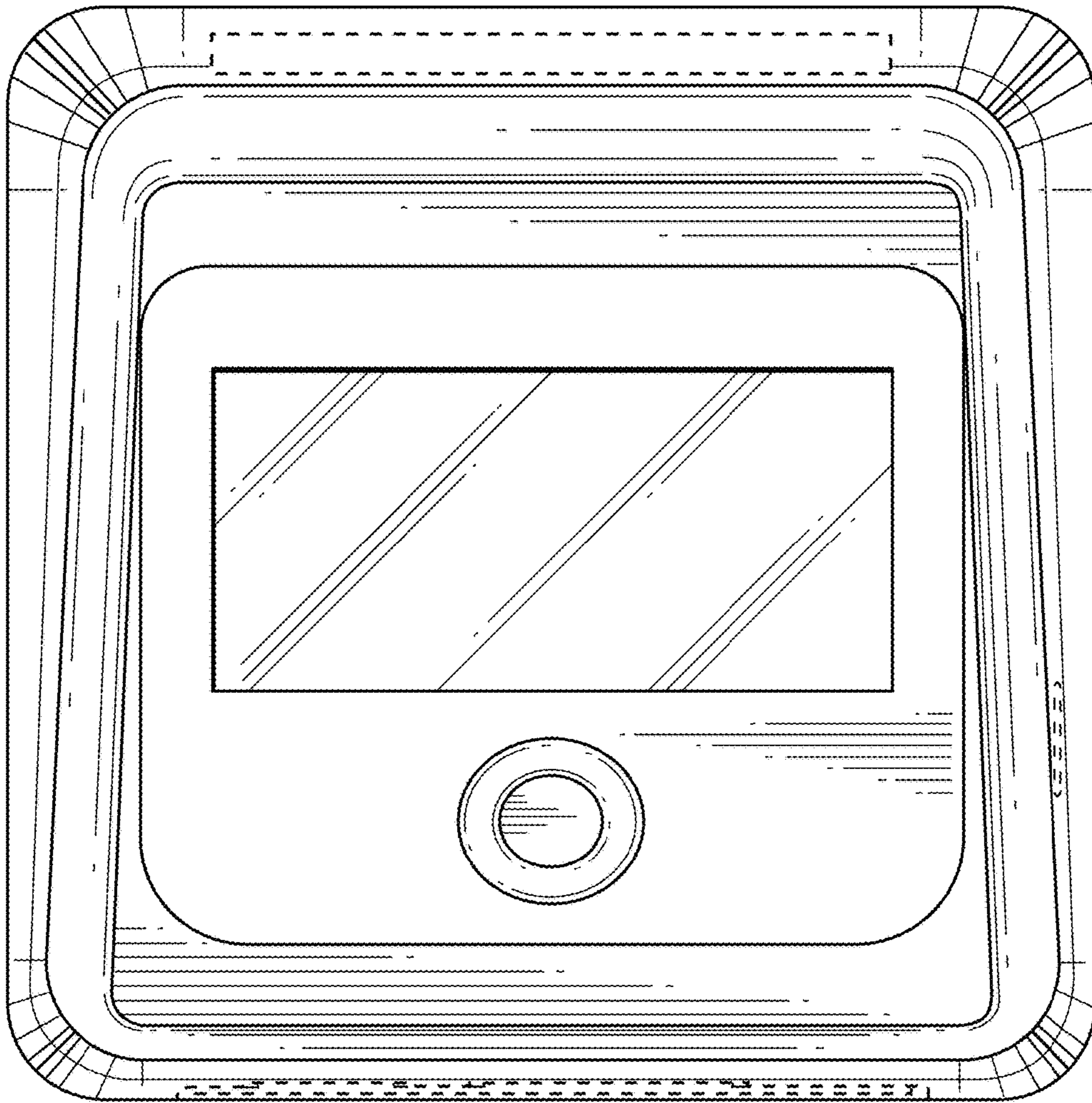


Fig. 5

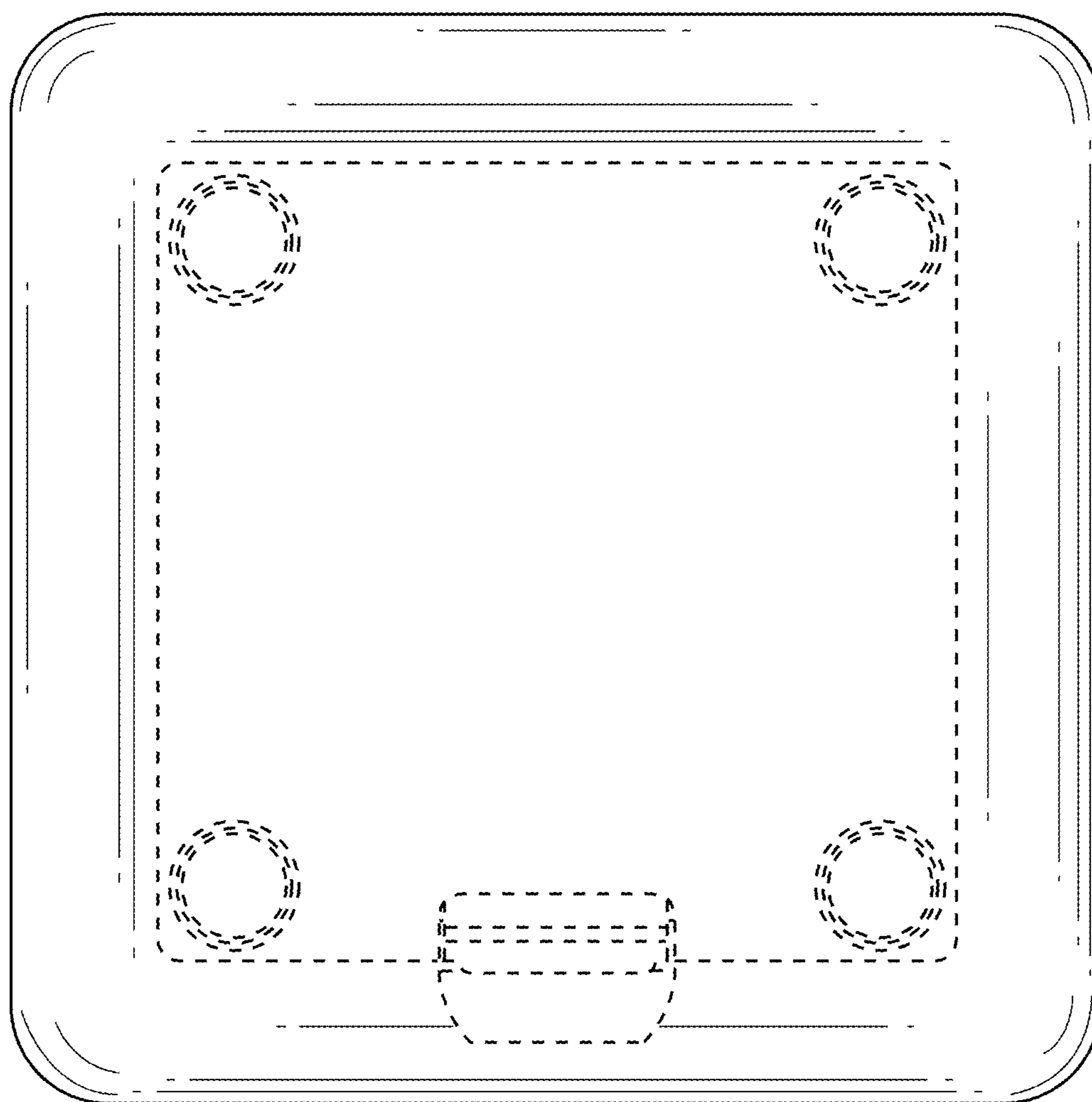


Fig. 6

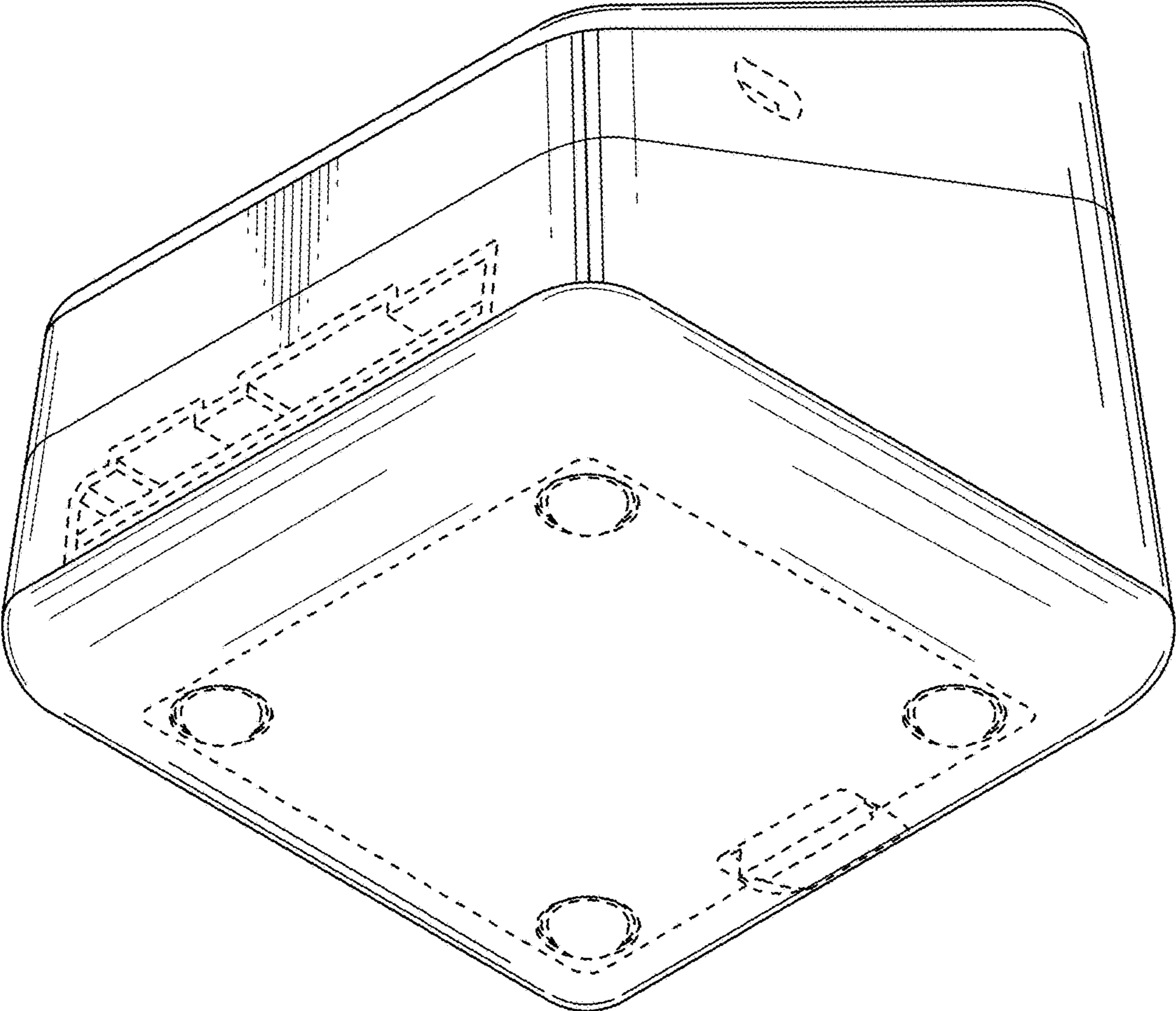


Fig. 7

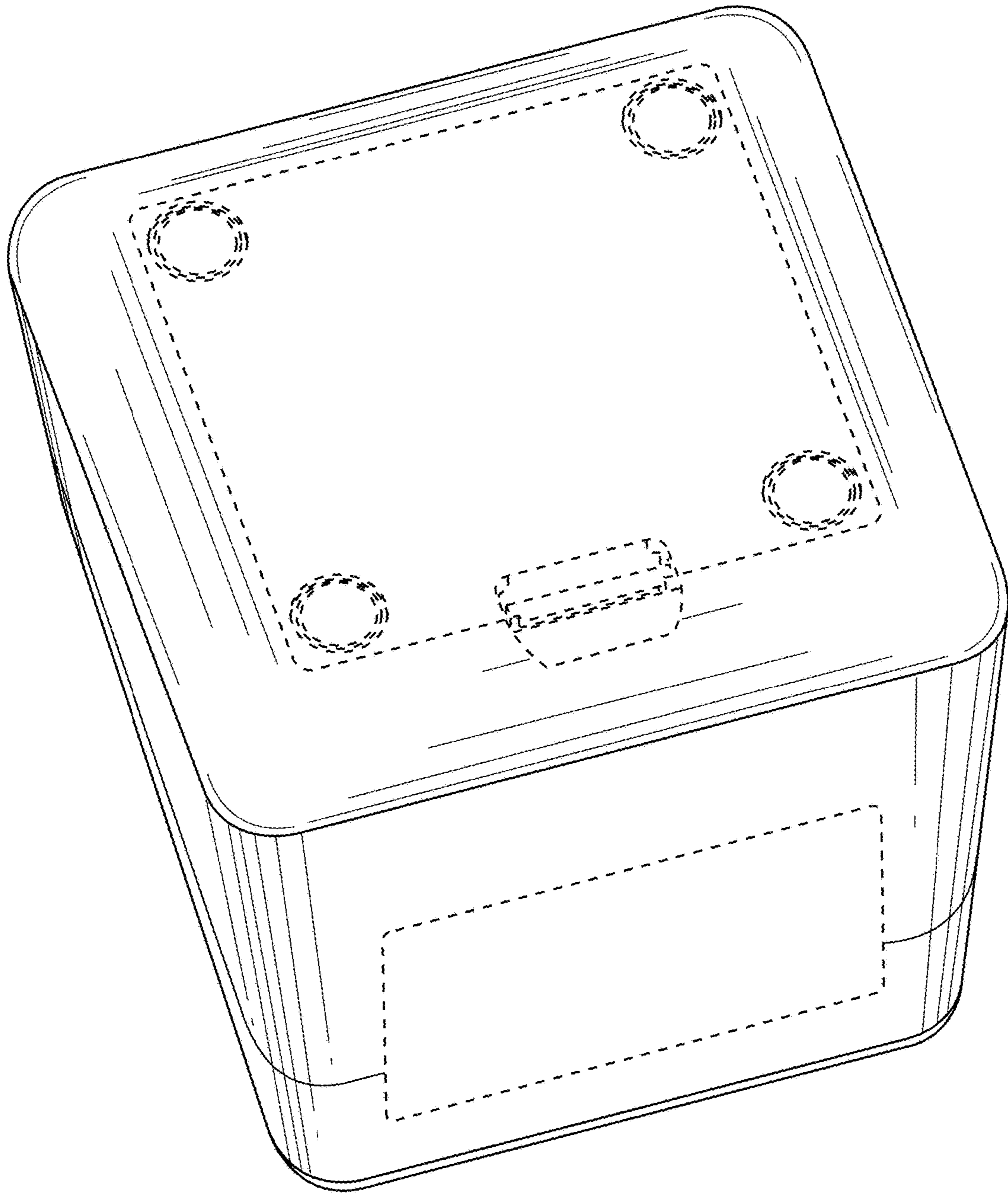


Fig. 8

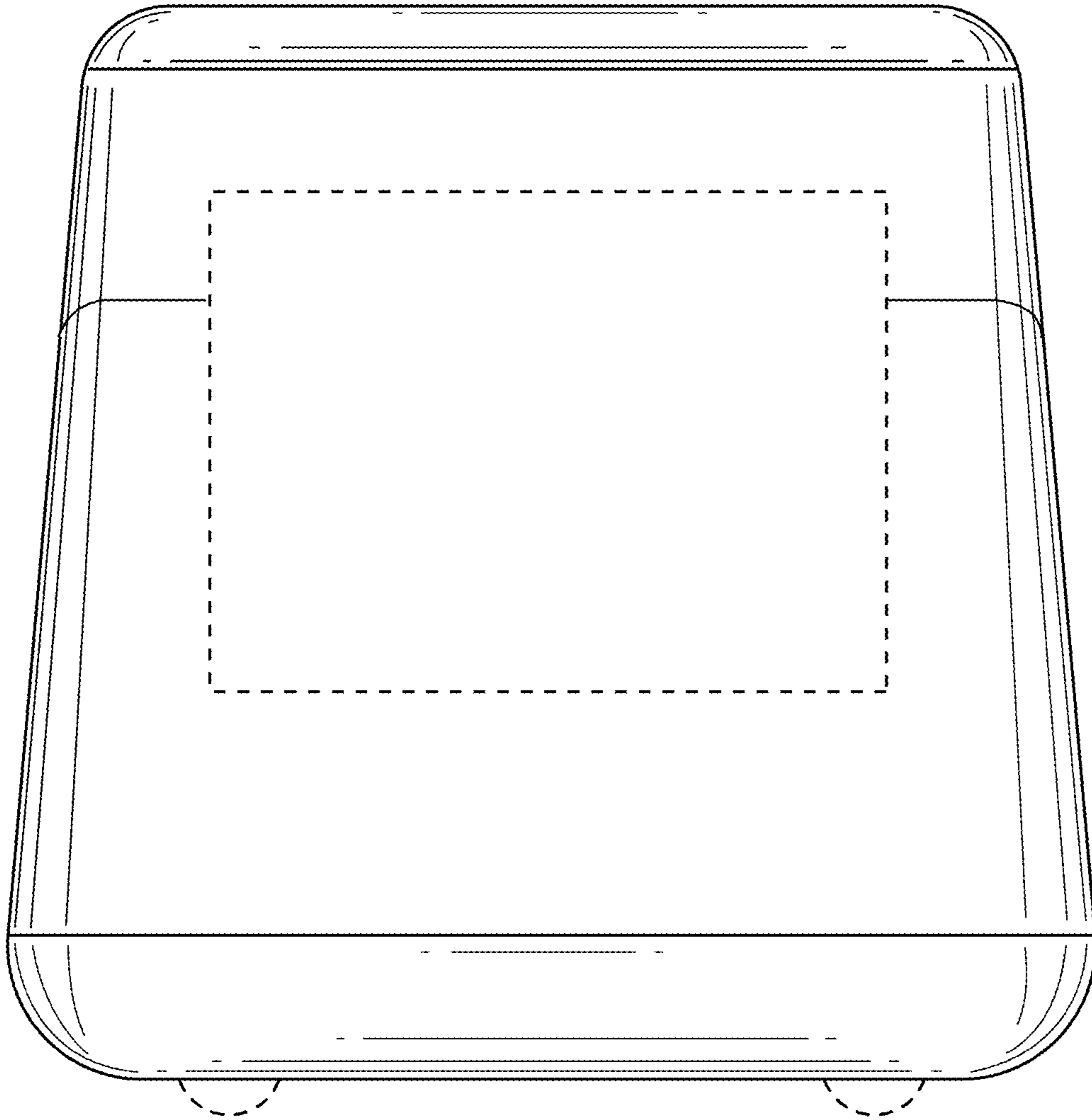


Fig. 9