



US00D857902S

(12) **United States Design Patent** (10) **Patent No.:** **US D857,902 S**  
**Zhang et al.** (45) **Date of Patent:** **\*\* Aug. 27, 2019**

(54) **BREATHING APPARATUS FOR AN ANESTHESIA MACHINE**

FOREIGN PATENT DOCUMENTS

(71) Applicant: **General Electric Company**, Schenectady, NY (US)

CN 204734831 U 11/2015  
CN 105983165 A 10/2016

(72) Inventors: **Wei Zhang**, Shanghai (CN); **Ryan Walter Rindy**, McFarland, WI (US); **Hui Fang**, Wuxi (CN); **Jun Hou**, Shanghai (CN); **Eero Tapio Hyytiainen**, Helsinki (FI); **Jiancheng Zhang**, Suzhou (CN); **Donald L. Beduhn**, Madison, WI (US); **Duncan Lovel Trevor-Wilson**, Shanghai (CN); **Wenyong Wu**, Wuxi (CN)

*Primary Examiner* — Rhea Shields

(74) *Attorney, Agent, or Firm* — McCoy Russell LLP

(73) Assignee: **General Electric Company**, Schenectady, NY (US)

(57) **CLAIM**

The ornamental design for a breathing apparatus for an anesthesia machine, as shown and described.

(\*\*) Term: **14 Years**

**DESCRIPTION**

(21) Appl. No.: **29/520,165**

FIG. 1 is a front view of a design for a breathing apparatus for an anesthesia machine.

FIG. 2 is a back view of the breathing apparatus for an anesthesia machine.

FIG. 3 is a left side view of the breathing apparatus for an anesthesia machine.

FIG. 4 is a right side view of the breathing apparatus for an anesthesia machine.

FIG. 5 is a top view of the breathing apparatus for an anesthesia machine.

FIG. 6 is a bottom view of the breathing apparatus for an anesthesia machine.

FIG. 7 is a front-left perspective view of the breathing apparatus for an anesthesia machine; and,

FIG. 8 is a back-right perspective view of the breathing apparatus for an anesthesia machine.

The solid lines in FIGS. 1-8 illustrate a breathing apparatus for an anesthesia machine according to the present invention. In the drawings, the dash-dash broken lines are for the purpose of illustrating environment only and form no part of the claimed design. The dash-dot-dash broken lines shown in FIG. 6 indicate surfaces of the breathing apparatus for an anesthesia machine that form no part of the claimed design. In FIGS. 6 and 8 the dash-dot-dash broken lines represent the bounds of the claimed design and form no part of the claimed design.

(22) Filed: **Mar. 11, 2015**

(51) **LOC (12) Cl.** ..... **24-02**

(52) **U.S. Cl.**  
USPC ..... **D24/185**

(58) **Field of Classification Search**  
USPC ..... D24/164, 110, 186, 158, 185, 162;  
D23/364; 128/205.12, 200.13, 200.17,  
128/200.11, 205.2, 202.22

(Continued)

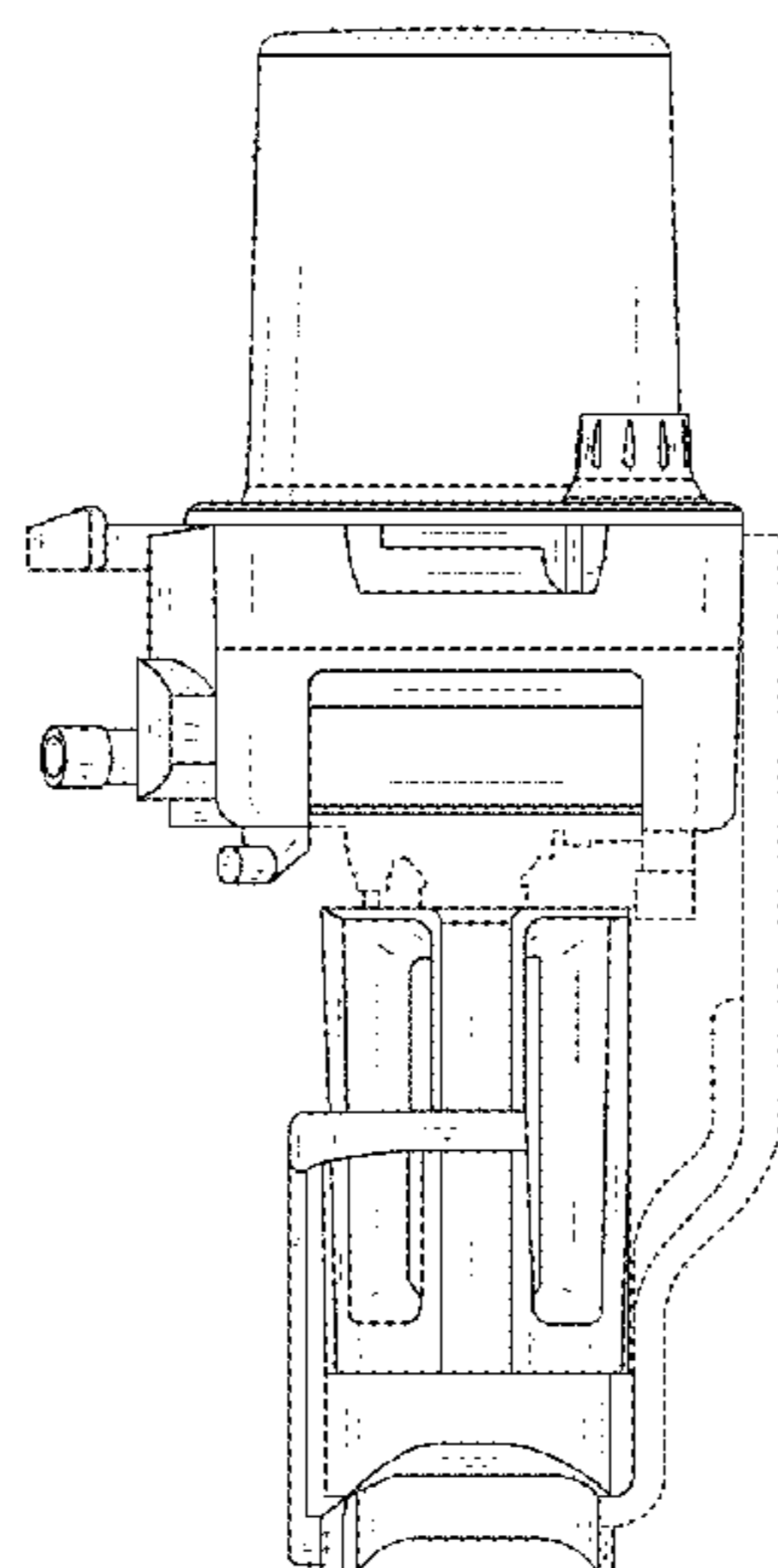
(56) **References Cited**

U.S. PATENT DOCUMENTS

3,757,776 A \* 9/1973 Bauman ..... A61M 16/0057  
128/202.22

D375,158 S \* 10/1996 Milani ..... D24/110  
(Continued)

**1 Claim, 8 Drawing Sheets**



(58) **Field of Classification Search**

CPC ... A61M 16/16; A61M 11/00; A61M 16/0057  
See application file for complete search history.

(56) **References Cited**

U.S. PATENT DOCUMENTS

D544,962	S	*	6/2007	Diener	.....	D24/186
D590,505	S	*	4/2009	Mazoyer	.....	D24/164
D634,016	S	*	3/2011	Schon	.....	D24/107
D643,535	S	*	8/2011	Ross	.....	D24/164
D648,032	S	*	11/2011	Schon	.....	D24/186
D648,855	S	*	11/2011	Smith	.....	D24/158
D652,936	S	*	1/2012	Ross	.....	D24/185
D722,172	S	*	2/2015	Amemiya	.....	D24/185
D730,524	S	*	5/2015	Kim	.....	D24/158
D735,343	S	*	7/2015	Dorsey	.....	D24/186
D739,538	S	*	9/2015	Bernal	.....	D24/185
D739,936	S	*	9/2015	Blomquist	.....	D24/162
D743,558	S	*	11/2015	Kim	.....	D24/158
D750,787	S	*	3/2016	Asad	.....	D24/185
D760,390	S	*	6/2016	Blomquist	.....	D24/164
D764,669	S	*	8/2016	Birath	.....	D24/164
D783,792	S	*	4/2017	Goransson	.....	D23/364
D789,518	S	*	6/2017	Bhide	.....	D24/110
D790,065	S	*	6/2017	O'Connor	.....	D24/158

\* cited by examiner

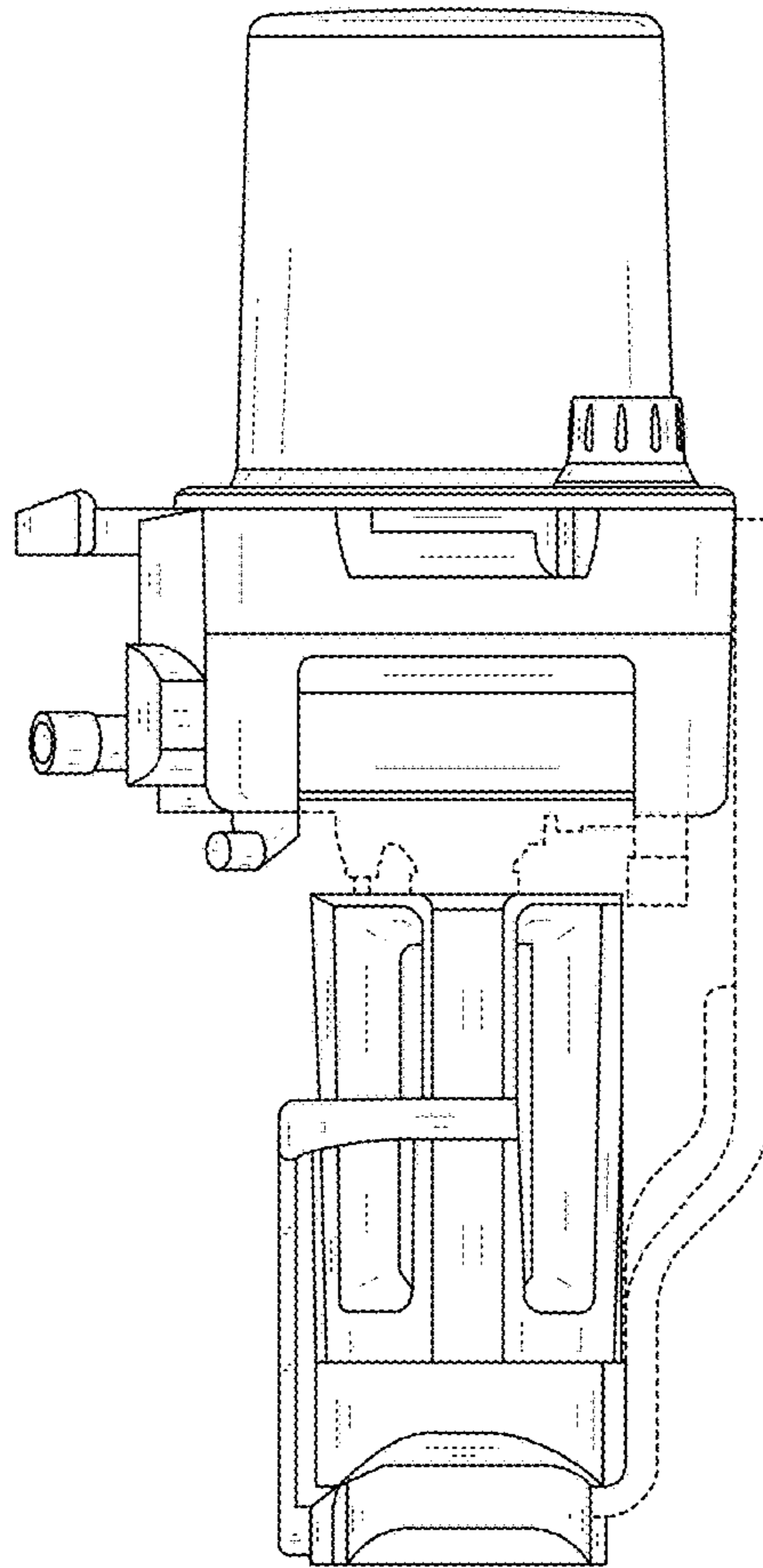


FIG. 1

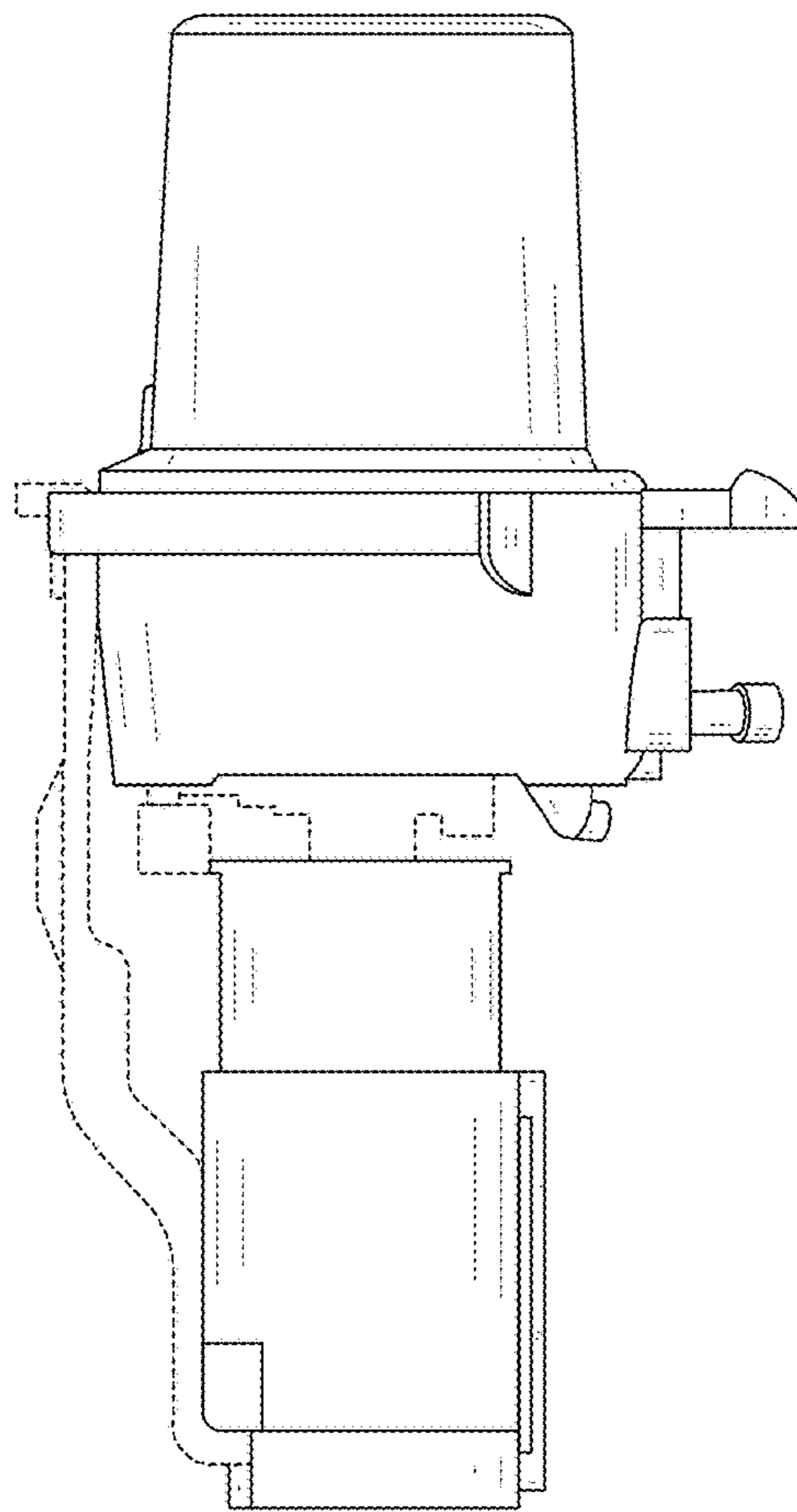


FIG. 2

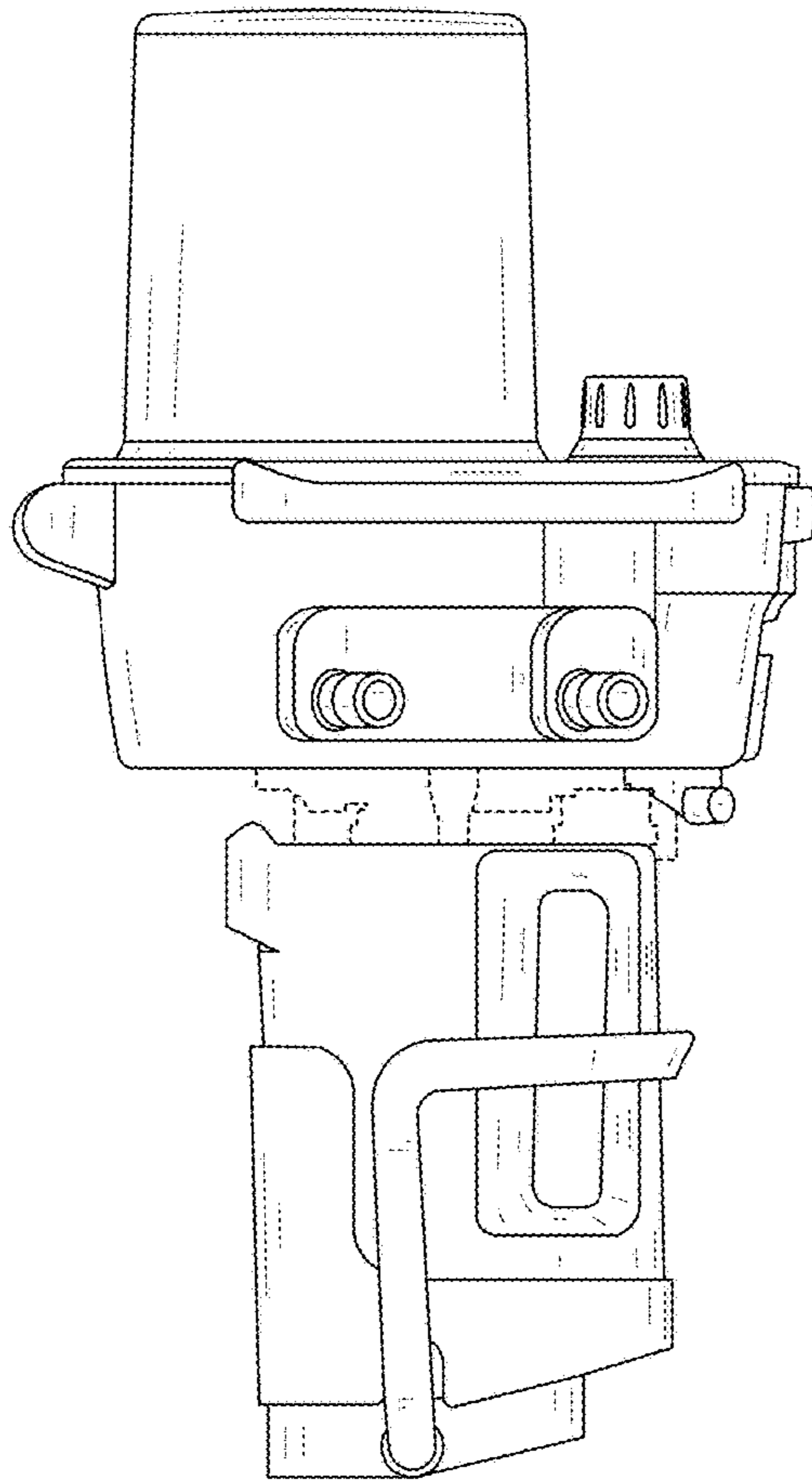


FIG. 3

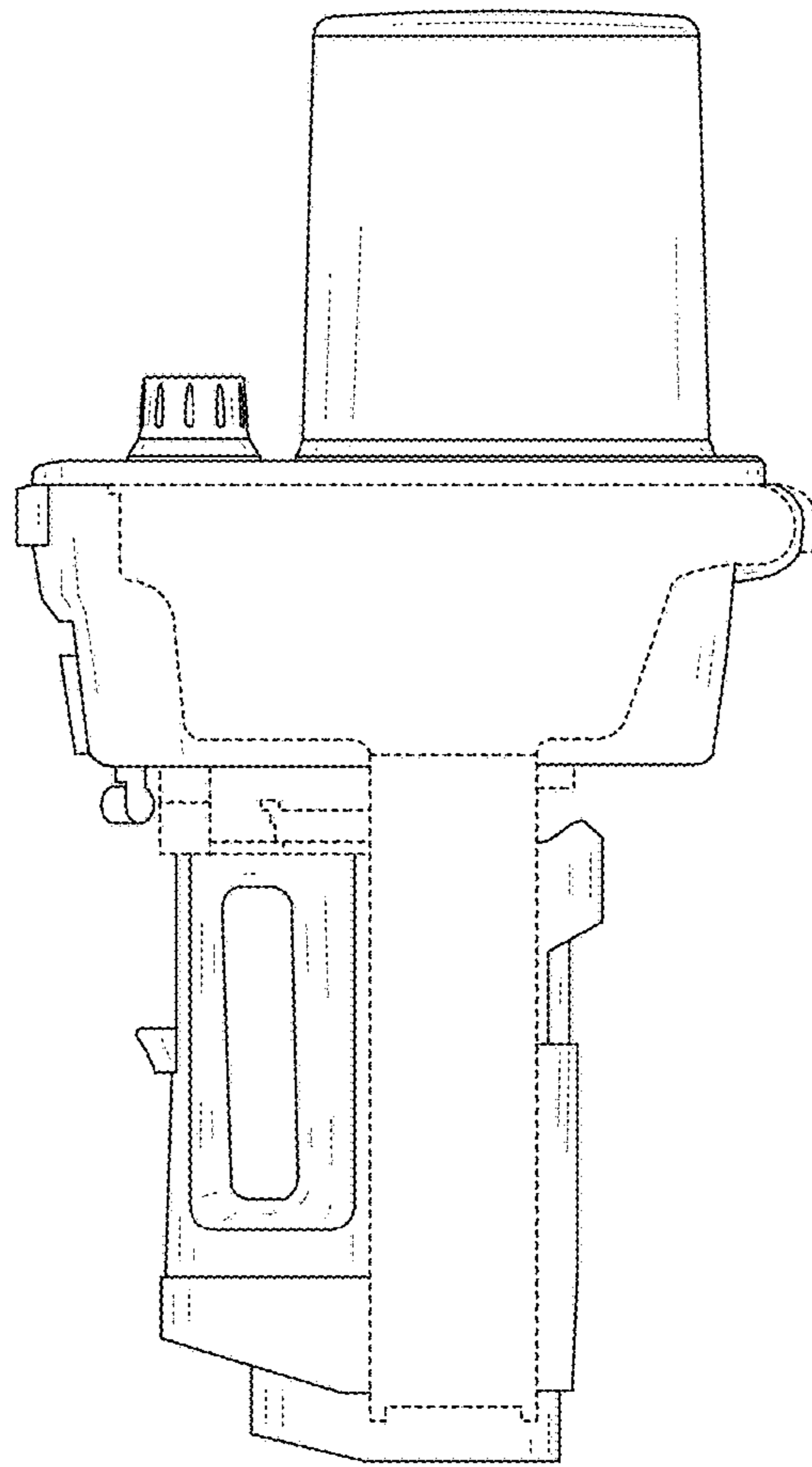


FIG. 4

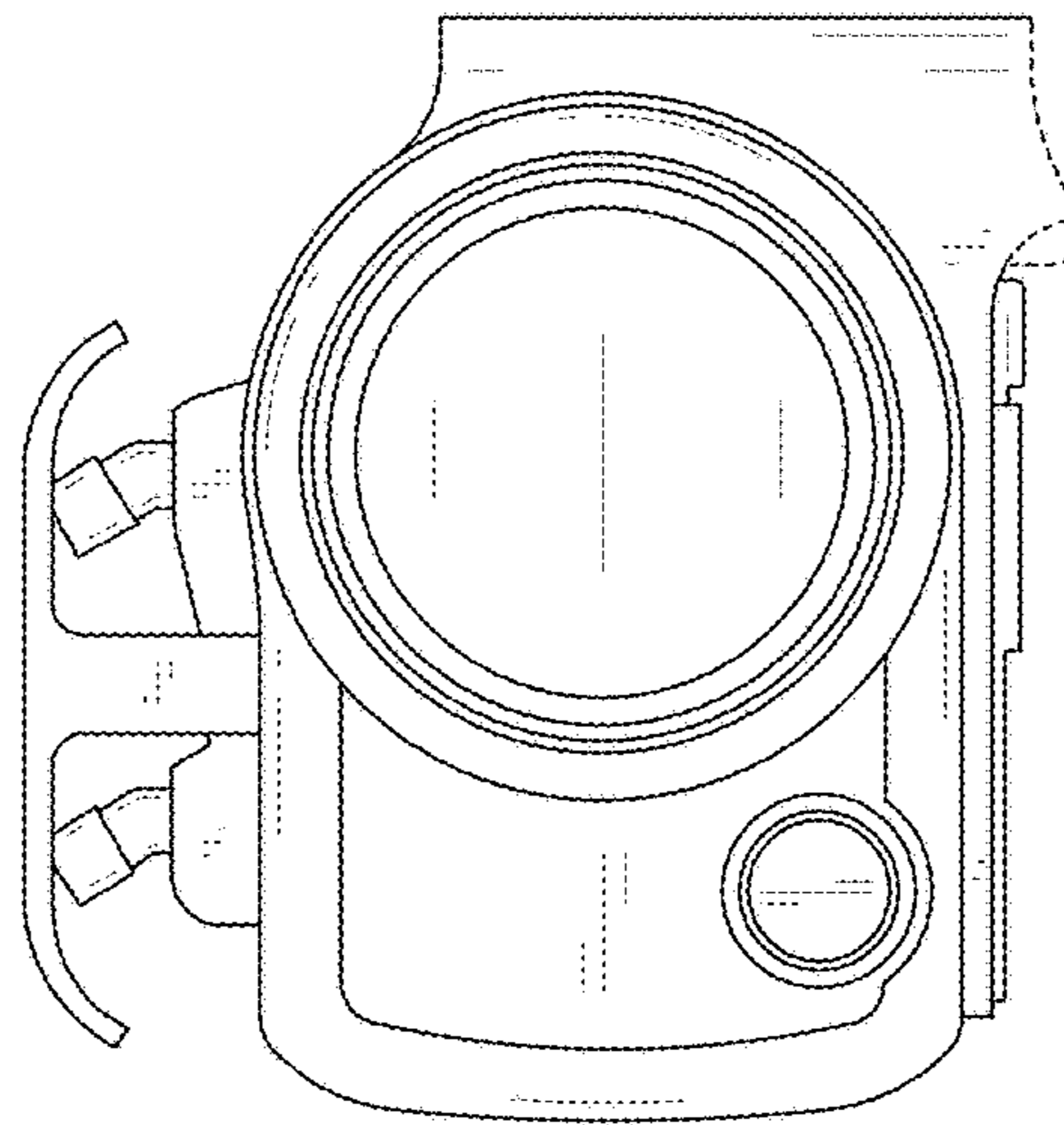


FIG. 5

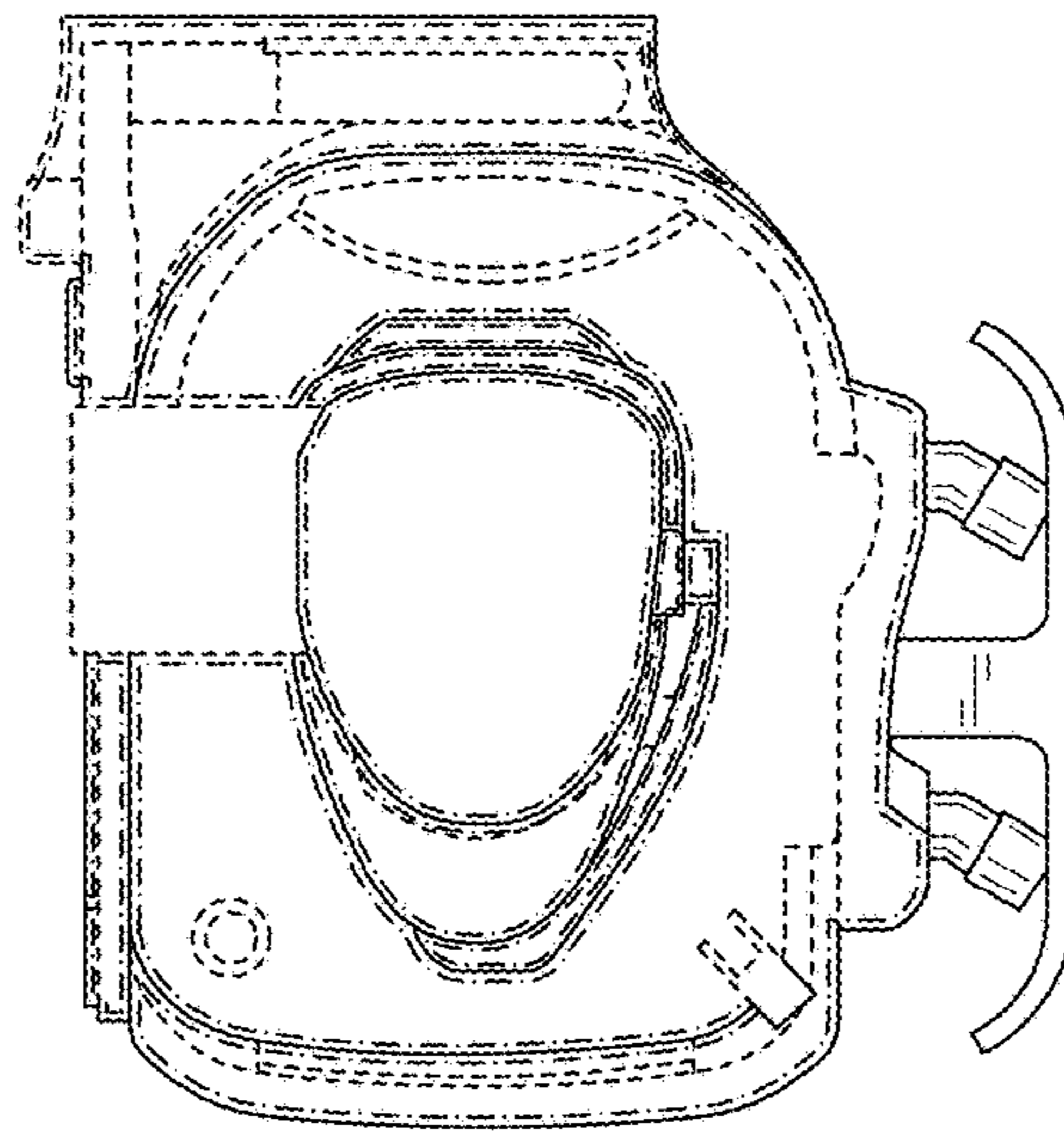


FIG. 6



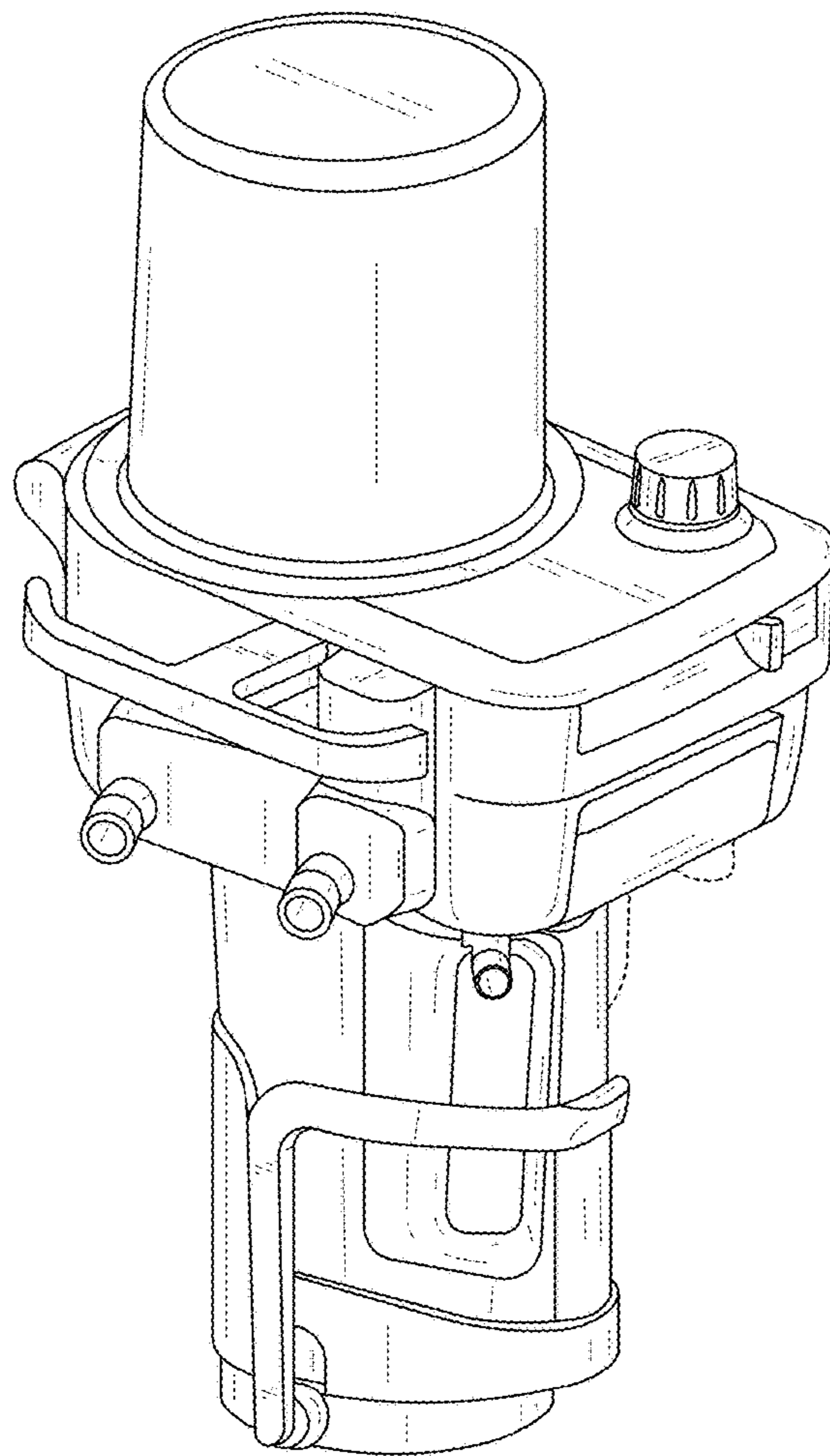


FIG. 7

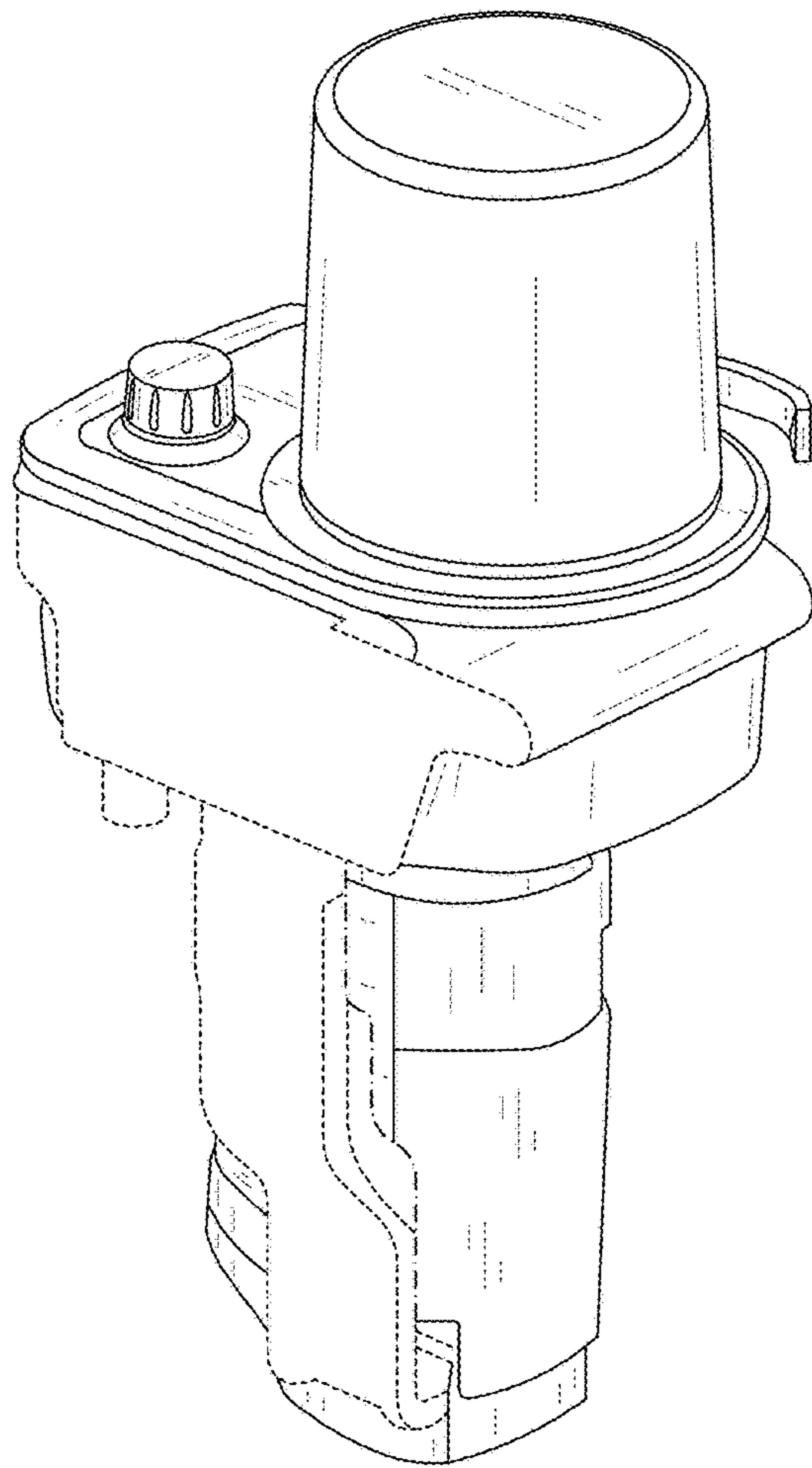


FIG. 8