



US00D857901S

(12) **United States Design Patent** (10) **Patent No.:** **US D857,901 S**
Arche et al. (45) **Date of Patent:** **** Aug. 27, 2019**

(54) **ULTRASOUND APPARATUS**

(56) **References Cited**

(71) Applicant: **KONINKLIJKE PHILIPS N.V.**,
Eindhoven (NL)

(72) Inventors: **Glenn Steven Arche**, Bothell, WA
(US); **Marnix Oosterwelder**,
Eindhoven (NL); **Shruti Pai**, Seattle,
WA (US); **Klaas Cornelis Jan**
Wijbrans, Rijen (NL); **Maestro**
Robert, Bitgell, WA (US); **Gerardus**
Alexander Slootweg, Heerde (NL);
Van Alphen Daniel, Boston, MA (US);
Charles Hawkins Wyman, Seattle, WA
(US); **Johannes Antonius Van Rooij**,
Best (NL)

U.S. PATENT DOCUMENTS

D697,212 S *	1/2014	Chung	D24/158
D697,213 S *	1/2014	Chung	D24/158
D697,620 S *	1/2014	Chung	D24/158
D697,621 S *	1/2014	Chung	D24/158
D697,622 S *	1/2014	Chung	D24/158
D769,448 S *	10/2016	Adams	D24/160
D771,817 S *	11/2016	Barak	D24/160
D781,411 S *	3/2017	Polaniec	D24/107
D796,679 S *	9/2017	Dekock	D24/158
D804,671 S *	12/2017	Yanase	D24/160

(Continued)

Primary Examiner — Eliza Z Bennett-Hattan

(73) Assignee: **KONINKLIJKE PHILIPS N.V.**,
Eindhoven (NL)

(57) **CLAIM**

The ornamental design for a ultrasound apparatus, as shown and described.

(**) Term: **15 Years**

(21) Appl. No.: **35/504,322**

DESCRIPTION

(22) Filed: **Jul. 13, 2017**

The patent or application file contains at least one drawing executed in color. Copies of this patent or patent application publication with color drawing(s) will be provided by the Office upon request and payment of the necessary fee.

(80) **Hague Agreement Data**

Int. Filing Date: **Jul. 13, 2017**
Int. Reg. No.: **DM/097293**
Int. Reg. Date: **Jul. 13, 2017**
Int. Reg. Pub. Date: **Jan. 19, 2018**

1. Ultrasound apparatus
- 1.1 is a front perspective view of a ultrasound apparatus showing our new design;
- 1.2 is a front plan view thereof;
- 1.3 is a rear plan view thereof;
- 1.4 is a left plan view thereof;
- 1.5 is a right plan view thereof;
- 1.6 is a top plan view thereof; and
- 1.7 is a bottom plan view thereof.

(30) **Foreign Application Priority Data**

Feb. 6, 2017 (EM) 003740307

(51) **LOC (12) Cl.** **24-01**

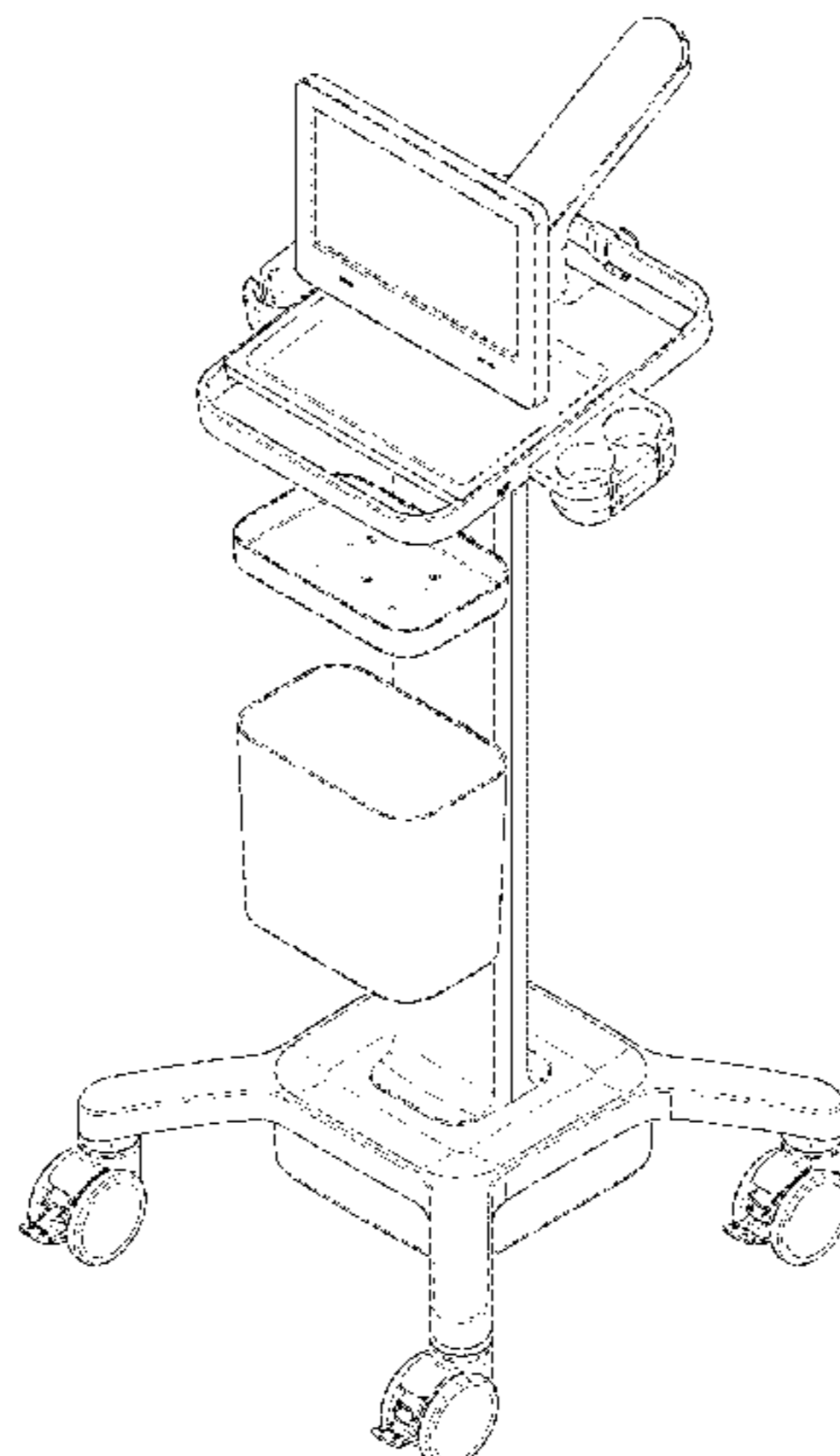
(52) **U.S. Cl.**
USPC **D24/160**

(58) **Field of Classification Search**
USPC D24/133, 119, 147, 144, 110, 187, 186,
D24/158, 137, 107, 160

CPC A61B 8/00; A61B 8/4405; A61B 8/4427
See application file for complete search history.

The portions of the ultrasound apparatus highlighted in the color "YELLOW" are included for the purpose of illustrating unclaimed portions of the ultrasound apparatus and form no part of the claimed design.

1 Claim, 6 Drawing Sheets
(6 of 6 Drawing Sheet(s) Filed in Color)



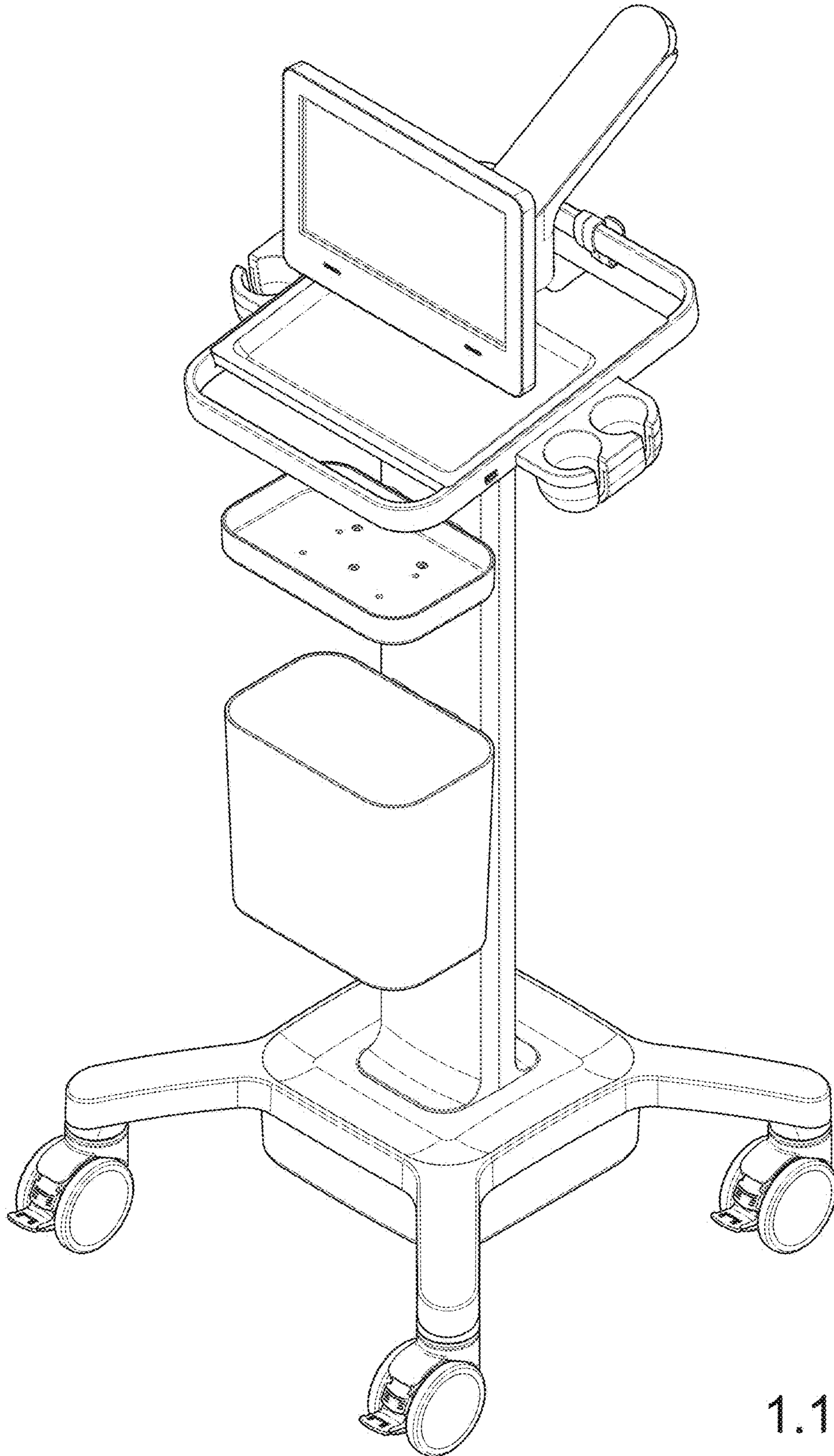
(56)

References Cited

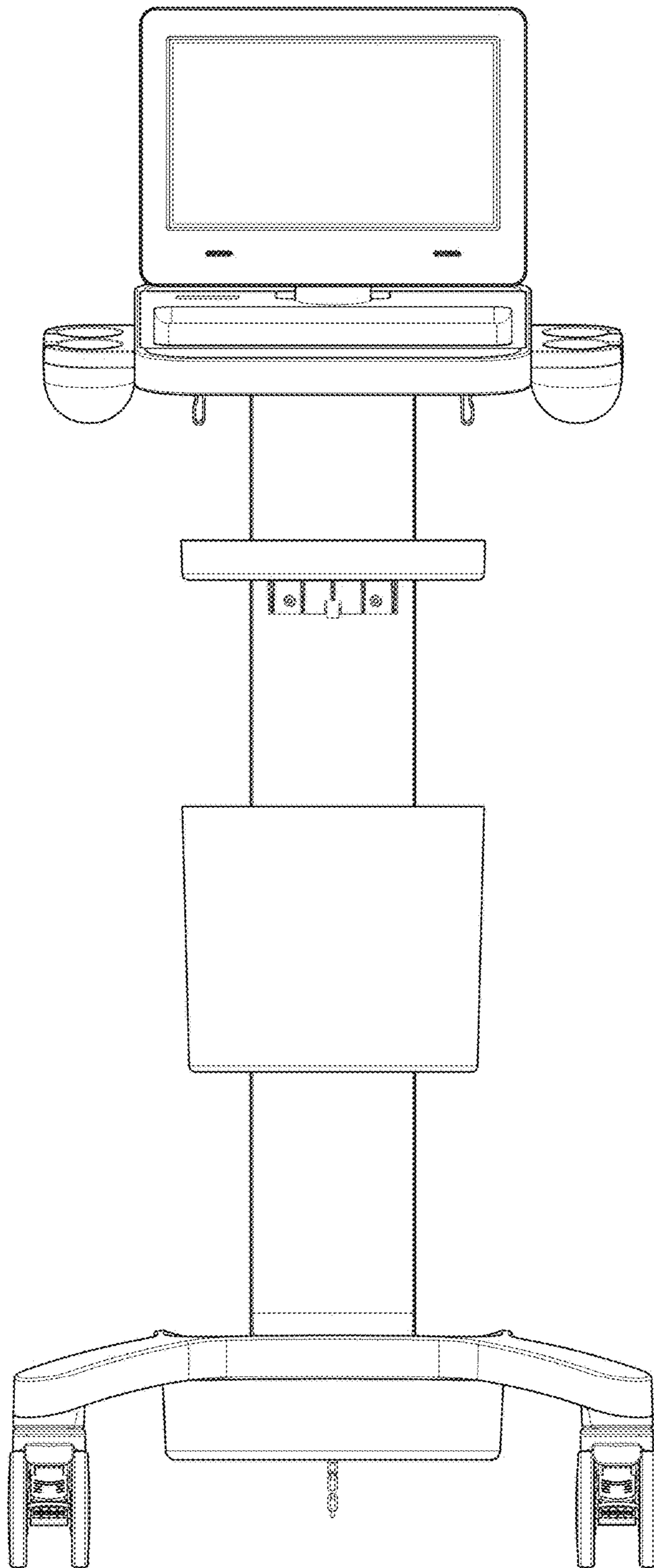
U.S. PATENT DOCUMENTS

D825,763 S *	8/2018	Lim	D24/160
D827,139 S *	8/2018	Henderson	D24/160
2010/0004535 A1*	1/2010	Song	A61B 8/00 600/437

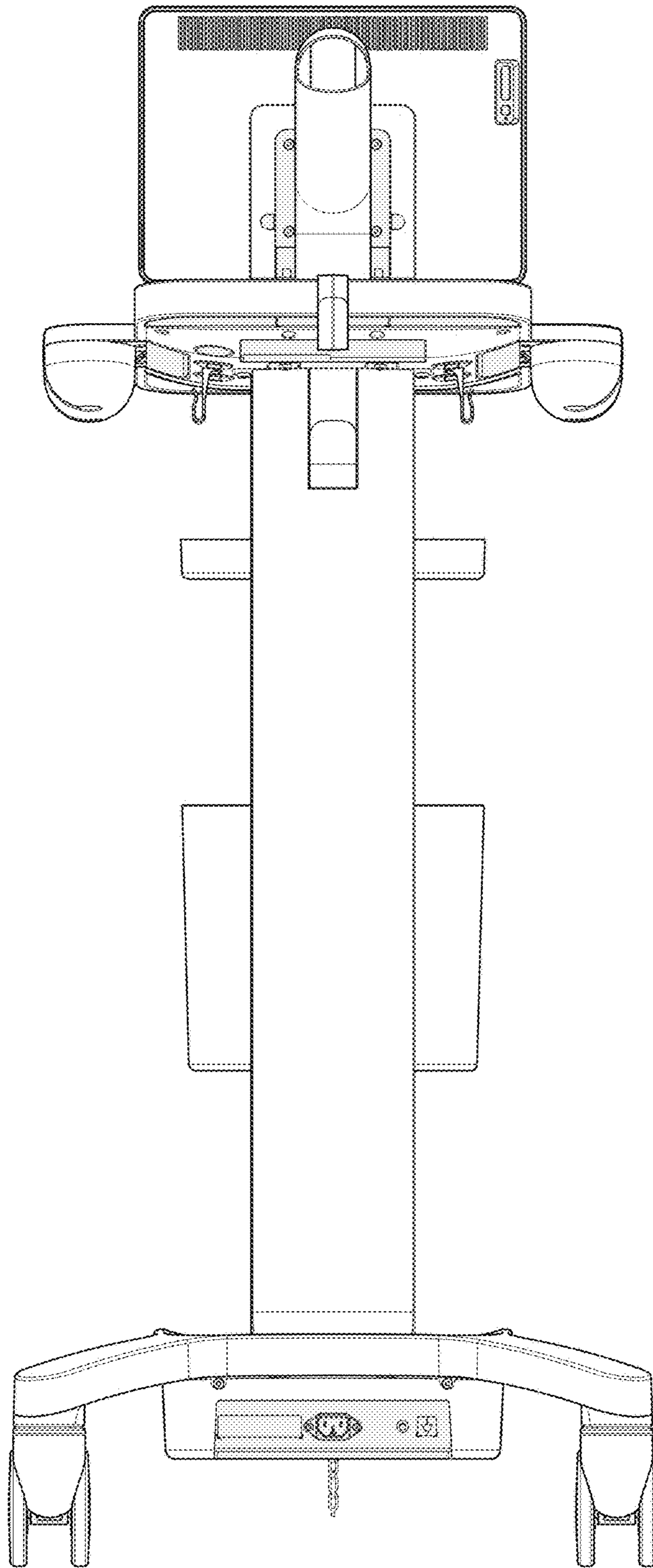
* cited by examiner



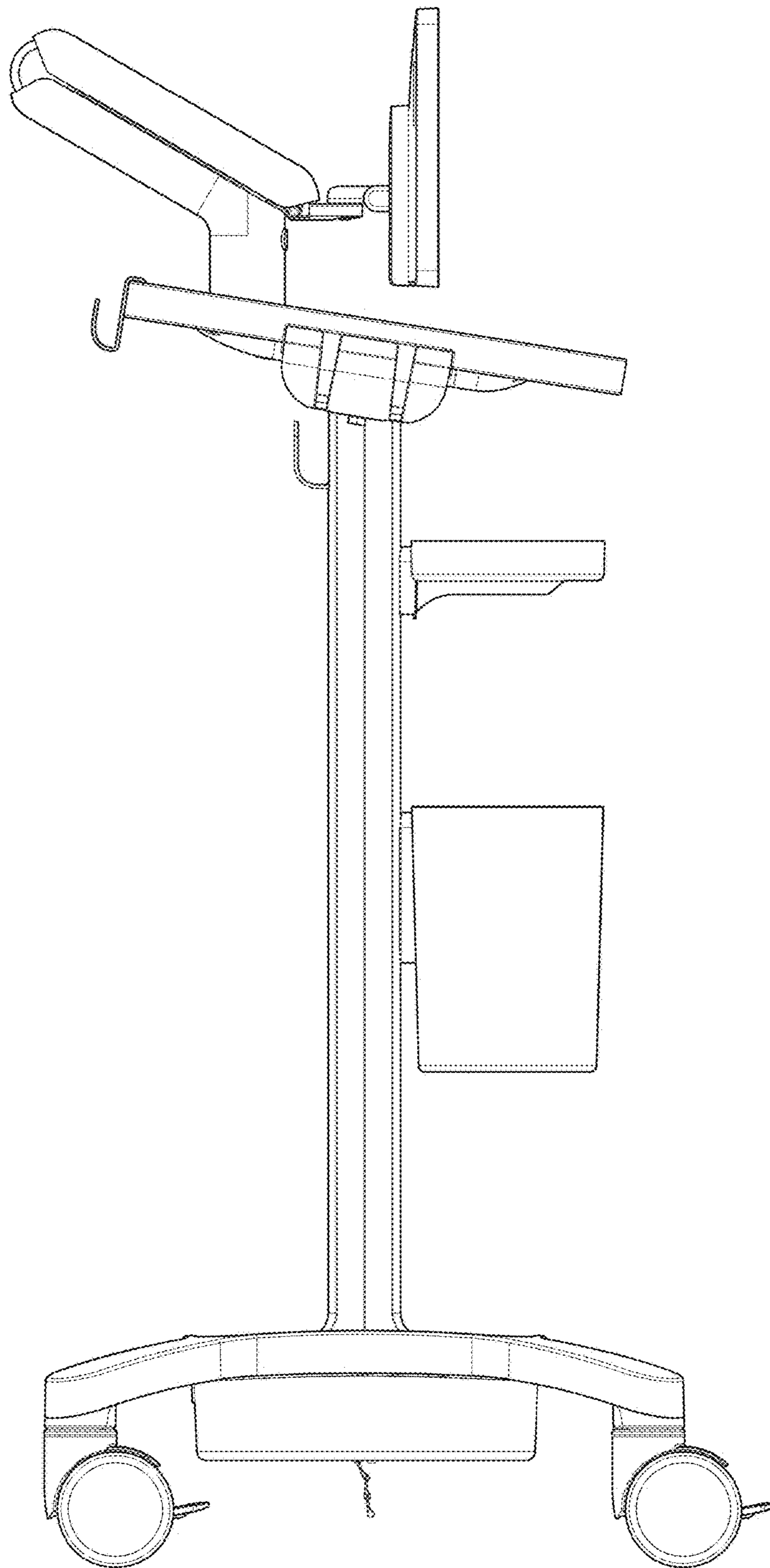
1.1



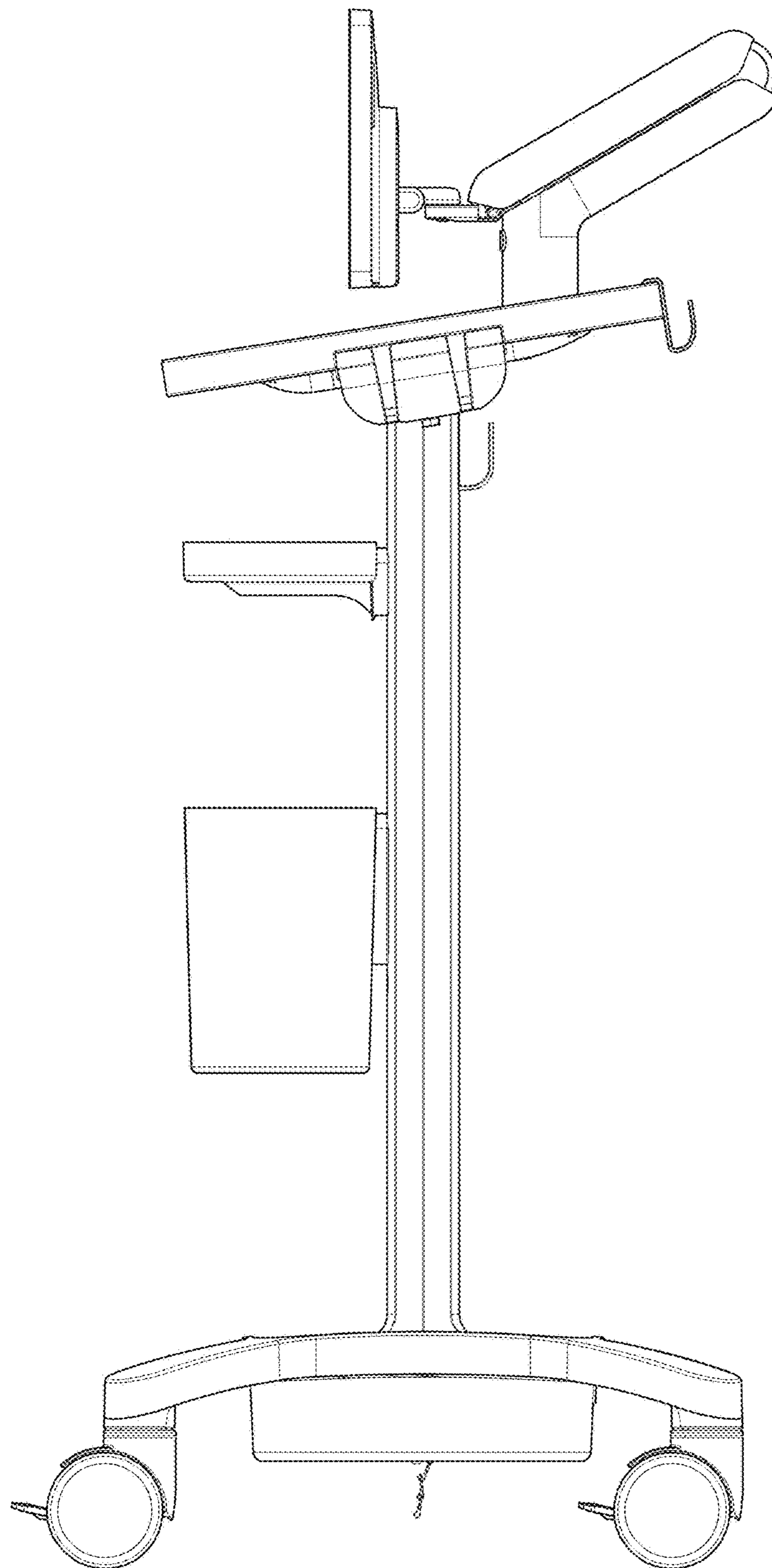
1.2



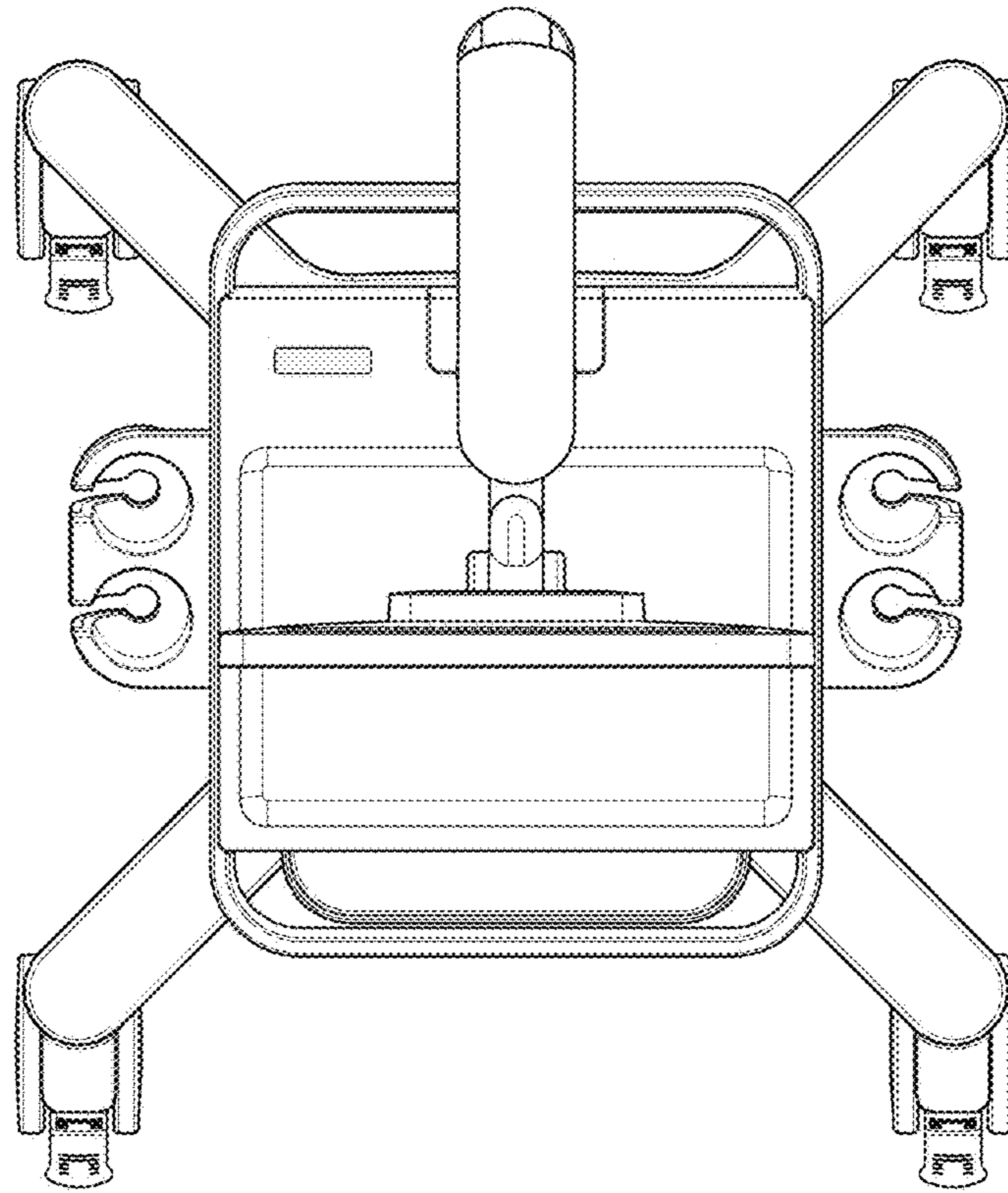
1.3



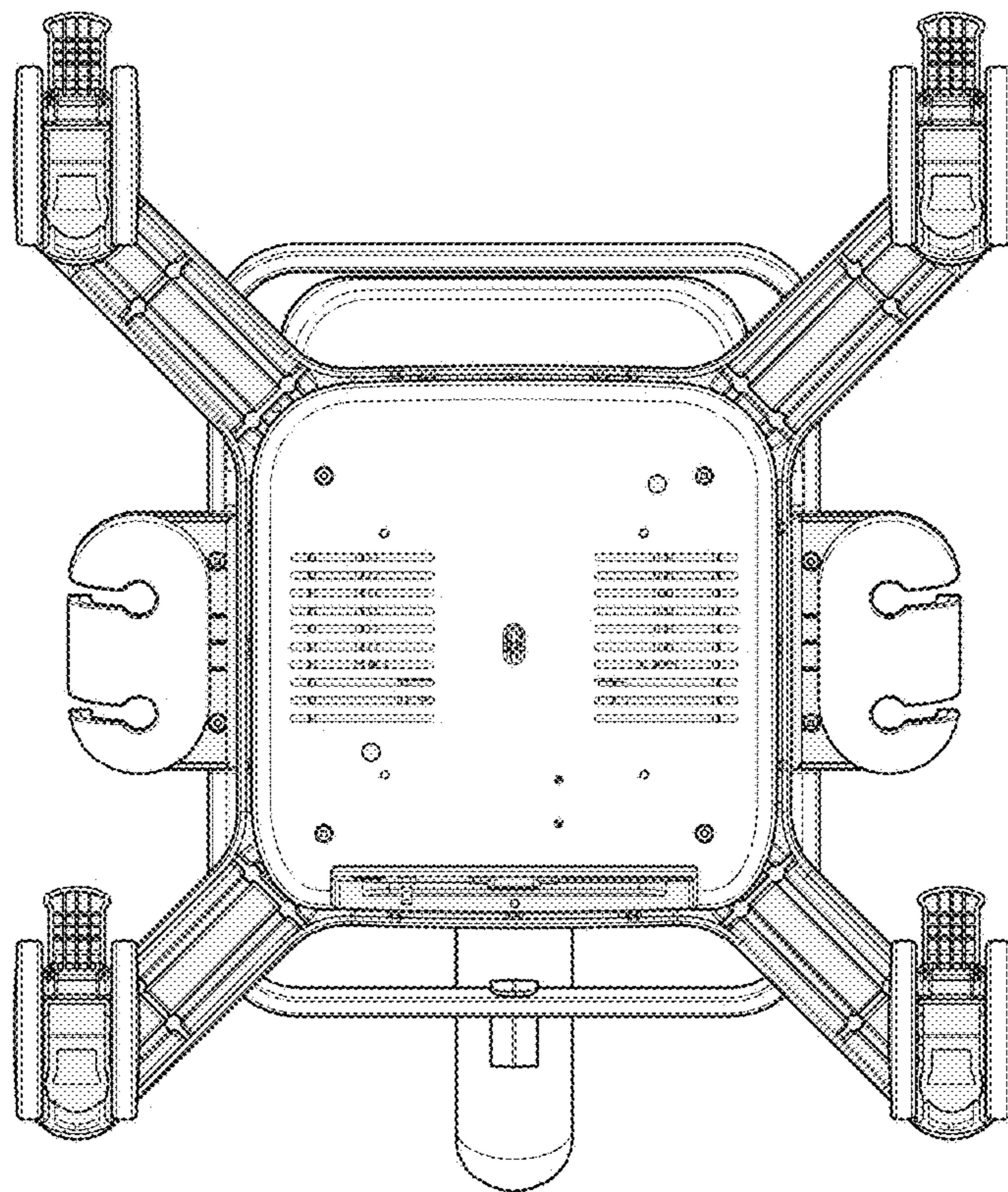
1.4



1.5



1.6



1.7