



US00D857892S

(12) **United States Design Patent** (10) **Patent No.:** **US D857,892 S**  
**Crawford et al.** (45) **Date of Patent:** **\*\* Aug. 27, 2019**

(54) **INSTRUMENT FOR USE WITH A SURGICAL ROBOTIC SYSTEM**

(71) Applicant: **GLOBUS MEDICAL, INC.**, Audubon, PA (US)

(72) Inventors: **Neil Crawford**, Chandler, AZ (US); **Jeff Forsyth**, Cranston, RI (US); **Chris Major**, Santa Clara, CA (US); **Andrew Berkowitz**, Philadelphia, PA (US); **Norbert Johnson**, North Andover, MA (US)

(73) Assignee: **Globus Medical, Inc.**, Audubon, PA (US)

(\*\*) Term: **15 Years**

(21) Appl. No.: **29/625,737**

(22) Filed: **Nov. 13, 2017**

(51) **LOC (12) Cl.** ..... **24-02**

(52) **U.S. Cl.**  
USPC ..... **D24/140**

(58) **Field of Classification Search**  
USPC ..... D8/300, 307-310; D15/132, 142; D24/140, 108, 112, 128, 133, 137, 138, D24/155, 234

CPC .. A61F 2002/30471; A61F 2002/30565; A61F 2002/4615; A61F 2002/4623; A61F 2002/4627; A61F 2002/4632; A61F 2002/4635; A61F 2002/4668; A61F 2002/687; A61F 2002/4475; A61F 2002/4465; A61F 2250/0006; A61F 2/4611

See application file for complete search history.

(56) **References Cited**

**U.S. PATENT DOCUMENTS**

7,547,307 B2 \* 6/2009 Carson ..... A61B 17/154 606/87  
7,643,862 B2 \* 1/2010 Schoenefeld ..... A61B 90/36 600/407

9,161,799 B2 \* 10/2015 Benson ..... A61B 17/1655  
D761,428 S \* 7/2016 Birkenbach ..... D24/140  
D806,247 S \* 12/2017 Kheradpir ..... D24/147  
D816,838 S \* 5/2018 Kheradpir ..... D24/140  
D820,984 S \* 6/2018 Kheradpir ..... D24/140  
D828,561 S \* 9/2018 Kheradpir ..... D24/147  
2003/0069591 A1 \* 4/2003 Carson ..... A61B 17/154 606/130  
2004/0167393 A1 \* 8/2004 Solar ..... A61B 90/39 600/414

(Continued)

**OTHER PUBLICATIONS**

Globus Medical Excelsius Precruiting, Jan. 5, 2017, [online], [site visited Jan. 11, 2019]. Retrieved from url:https://www.youtube.com/watch?v=TDX6kbOFImM (Year: 2017).\*

(Continued)

*Primary Examiner* — Jeffrey D Asch

*Assistant Examiner* — Tracey J Bell

(57) **CLAIM**

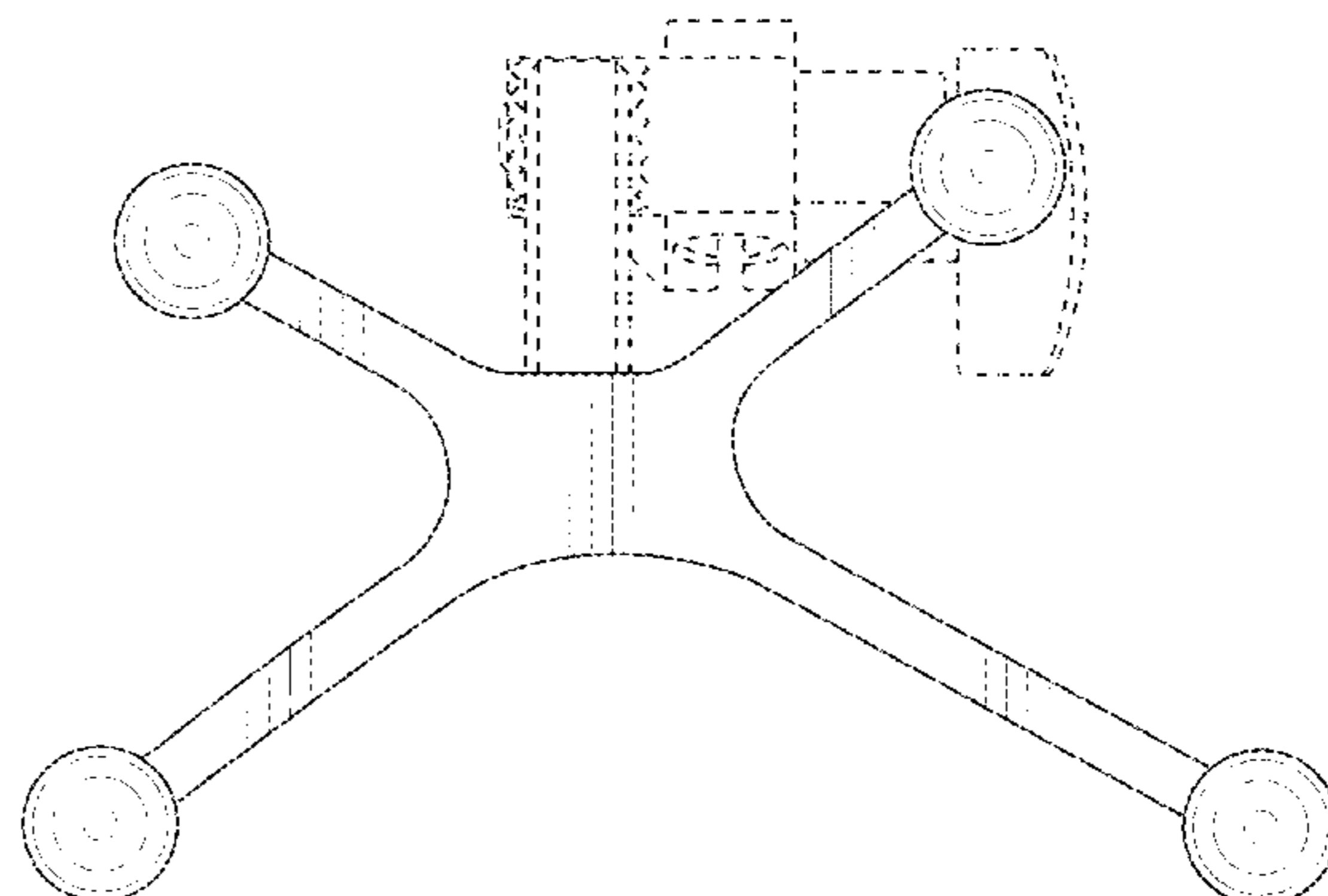
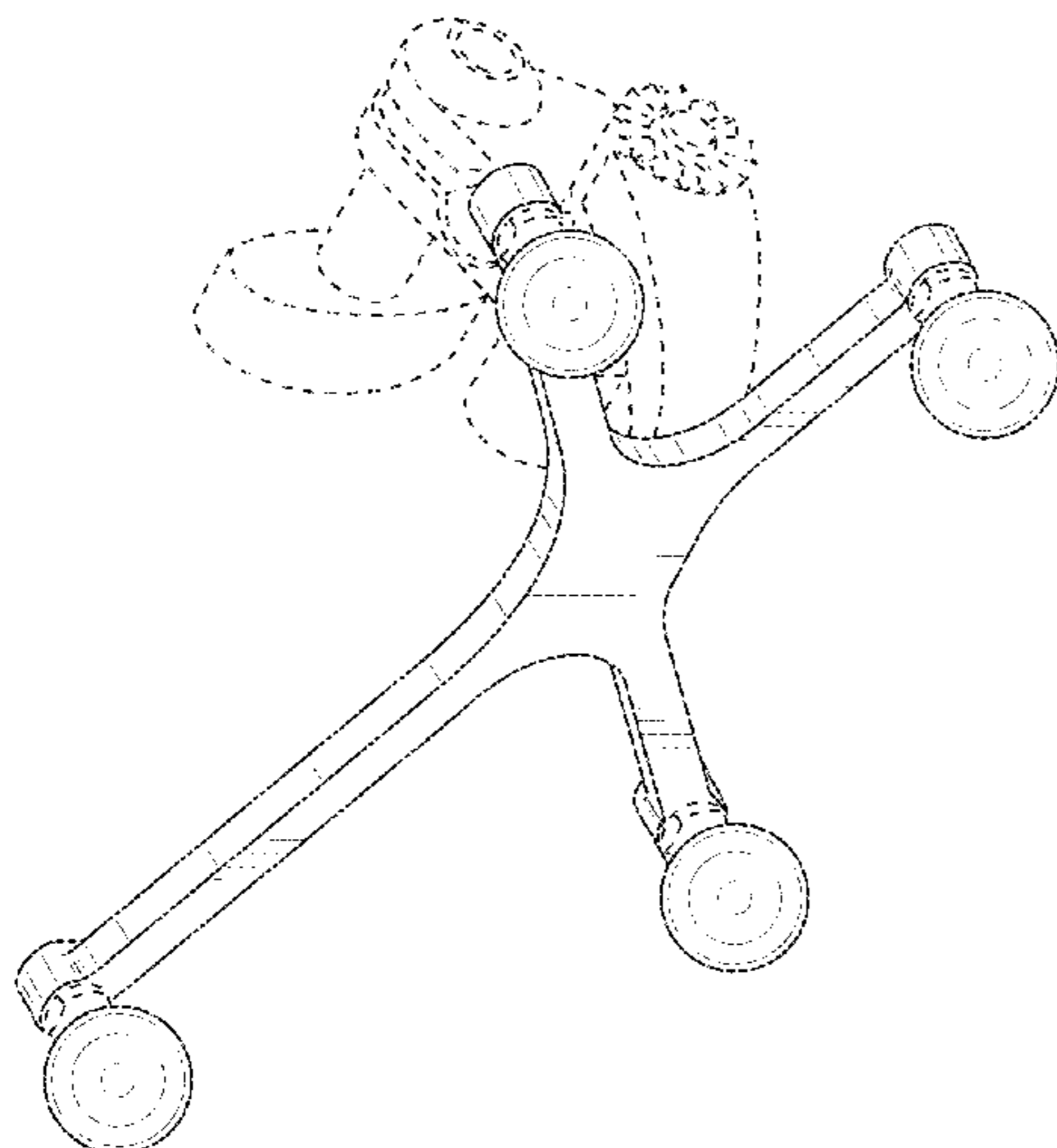
The ornamental design for an instrument for use with a surgical robotic system, as shown and described.

**DESCRIPTION**

FIG. 1 shows a perspective view of the instrument for use with a surgical robotic system showing our new design; FIG. 2 shows a front view thereof; FIG. 3 shows a rear view thereof; FIG. 4 shows a side view thereof; FIG. 5 shows another side view thereof; FIG. 6 shows a top view thereof; and, FIG. 7 shows a bottom view thereof.

In the above drawings the broken lines and the areas within the broken lines form no part of the claimed design.

**1 Claim, 7 Drawing Sheets**



(56)

**References Cited**

U.S. PATENT DOCUMENTS

2005/0113846 A1\* 5/2005 Carson ..... A61F 2/461  
606/130  
2005/0124988 A1\* 6/2005 Terrill-Grisoni .....  
A61B 17/3403  
606/53  
2005/0137599 A1\* 6/2005 Masini ..... A61B 90/36  
606/79  
2006/0142657 A1\* 6/2006 Quaid ..... G06F 19/00  
600/424  
2015/0100129 A1\* 4/2015 Waugh ..... A61F 2/4455  
623/17.16  
2016/0081681 A1\* 3/2016 Waugh ..... A61B 17/0206  
606/86 A  
2017/0071691 A1\* 3/2017 Crawford ..... A61B 90/96  
2017/0119339 A1\* 5/2017 Johnson ..... A61B 6/58  
2017/0172669 A1\* 6/2017 Berkowitz ..... A61B 34/20  
2017/0209286 A1\* 7/2017 Palmatier ..... A61F 2/4611

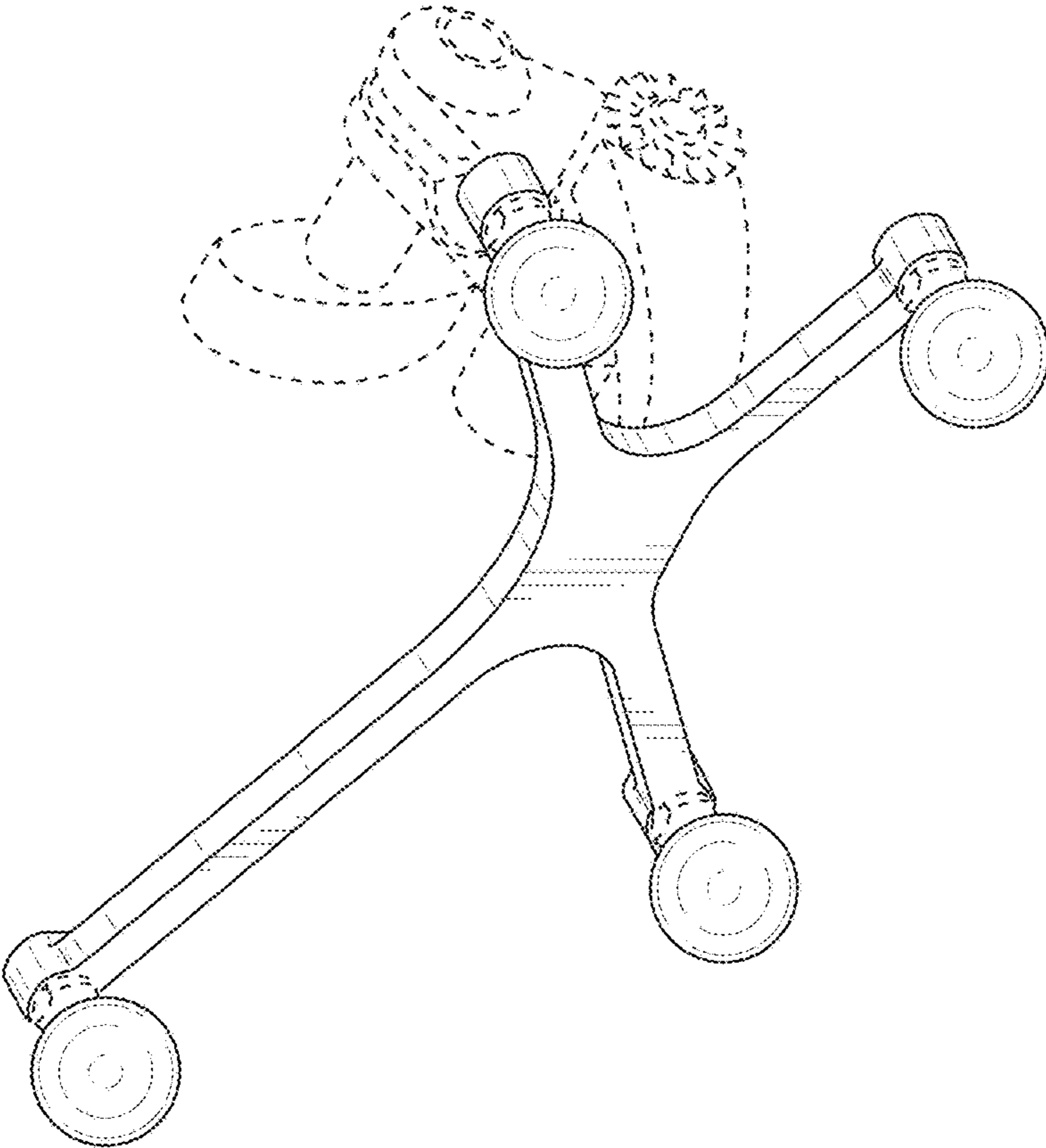
2017/0252114 A1\* 9/2017 Crawford ..... A61B 17/17  
2017/0360521 A1\* 12/2017 Johnson ..... A61B 34/74  
2018/0085233 A1\* 3/2018 Palmatier ..... A61F 2/80  
2018/0311051 A1\* 11/2018 Donaldson ..... A61F 2/4611  
2019/0000571 A1\* 1/2019 Johnson ..... A61B 34/30

OTHER PUBLICATIONS

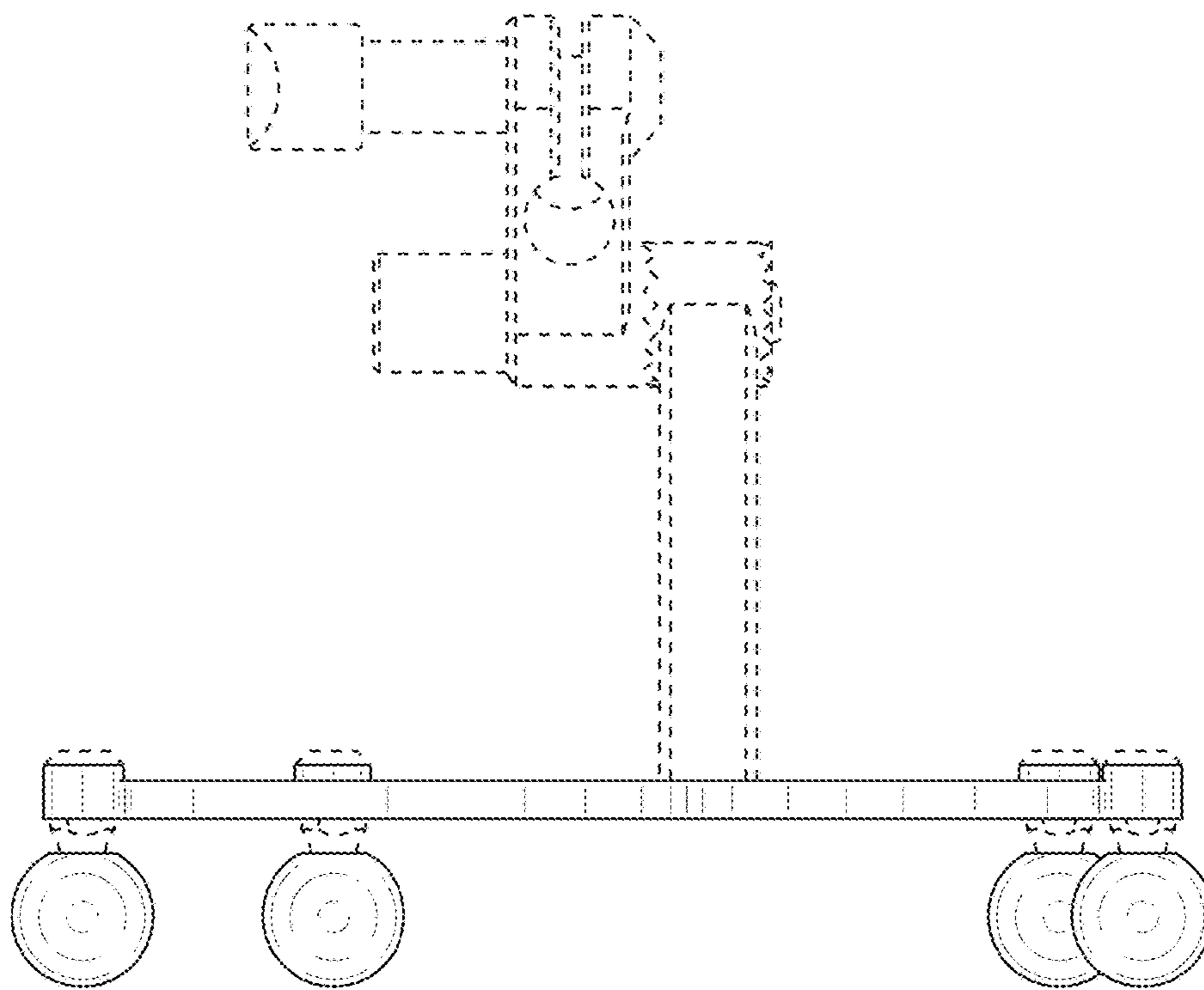
Medtronic revises indications for use of Navlock trackers following patient deaths, May 8, 2017, [online], [site visited Jan. 11, 2019]. Retrieved from url:<https://spinalnewsinternational.com/medtronic-revises-indications-for-use-of-navlock-trackers-following-patient-deaths/> (Year: 2017).\*

A Hands-on-Robot for Accurate Placement of Pedicle Screws, Ortmaier, Tobias, May 2006, [online], [site visited Jan. 11, 2019]. Retrieved from url:[https://www.researchgate.net/publication/224998353\\_A\\_Hands-on-Robot\\_for\\_Accurate\\_Placement\\_of\\_Pedicle\\_Screws](https://www.researchgate.net/publication/224998353_A_Hands-on-Robot_for_Accurate_Placement_of_Pedicle_Screws) (Year: 2006).\*

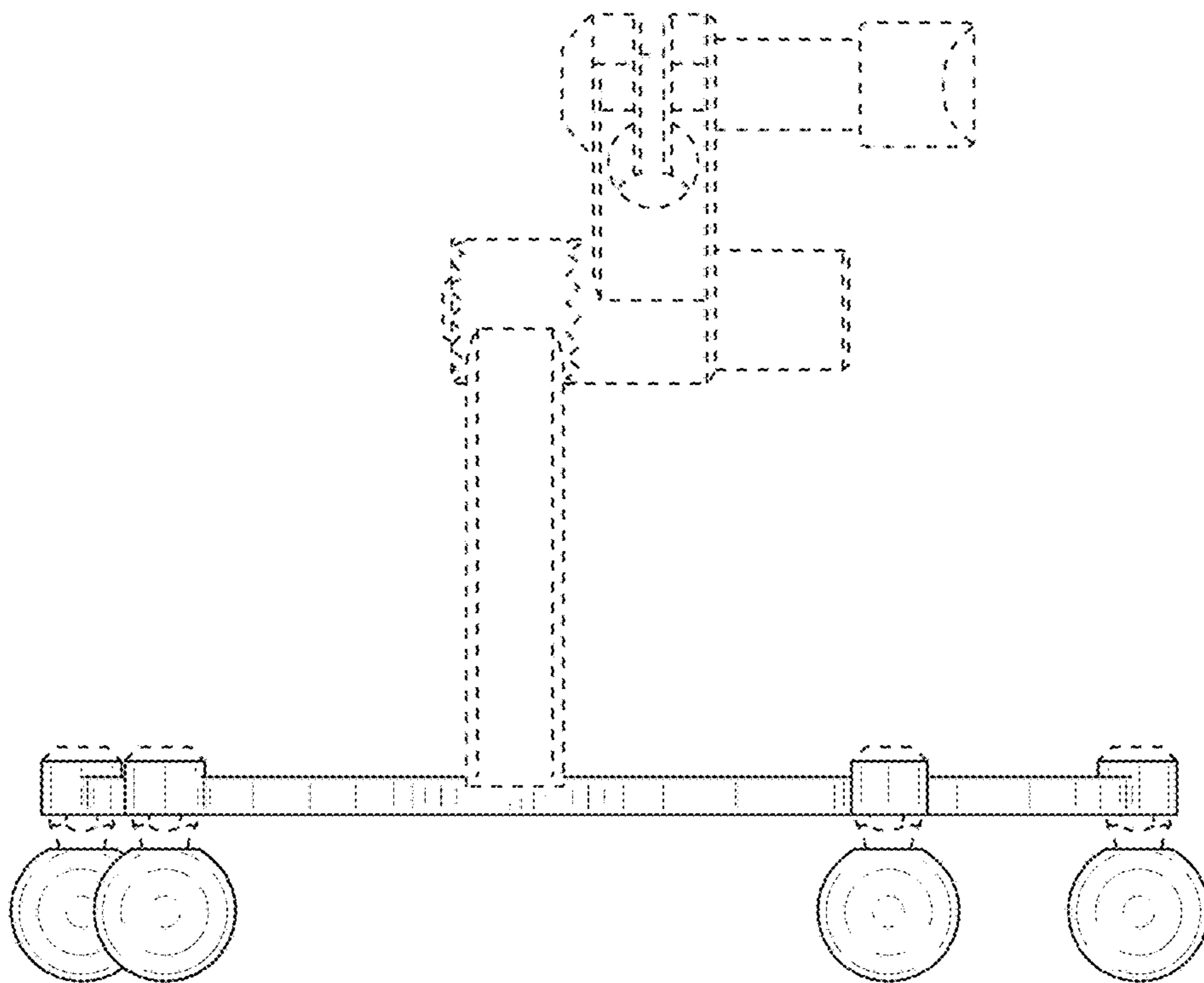
\* cited by examiner



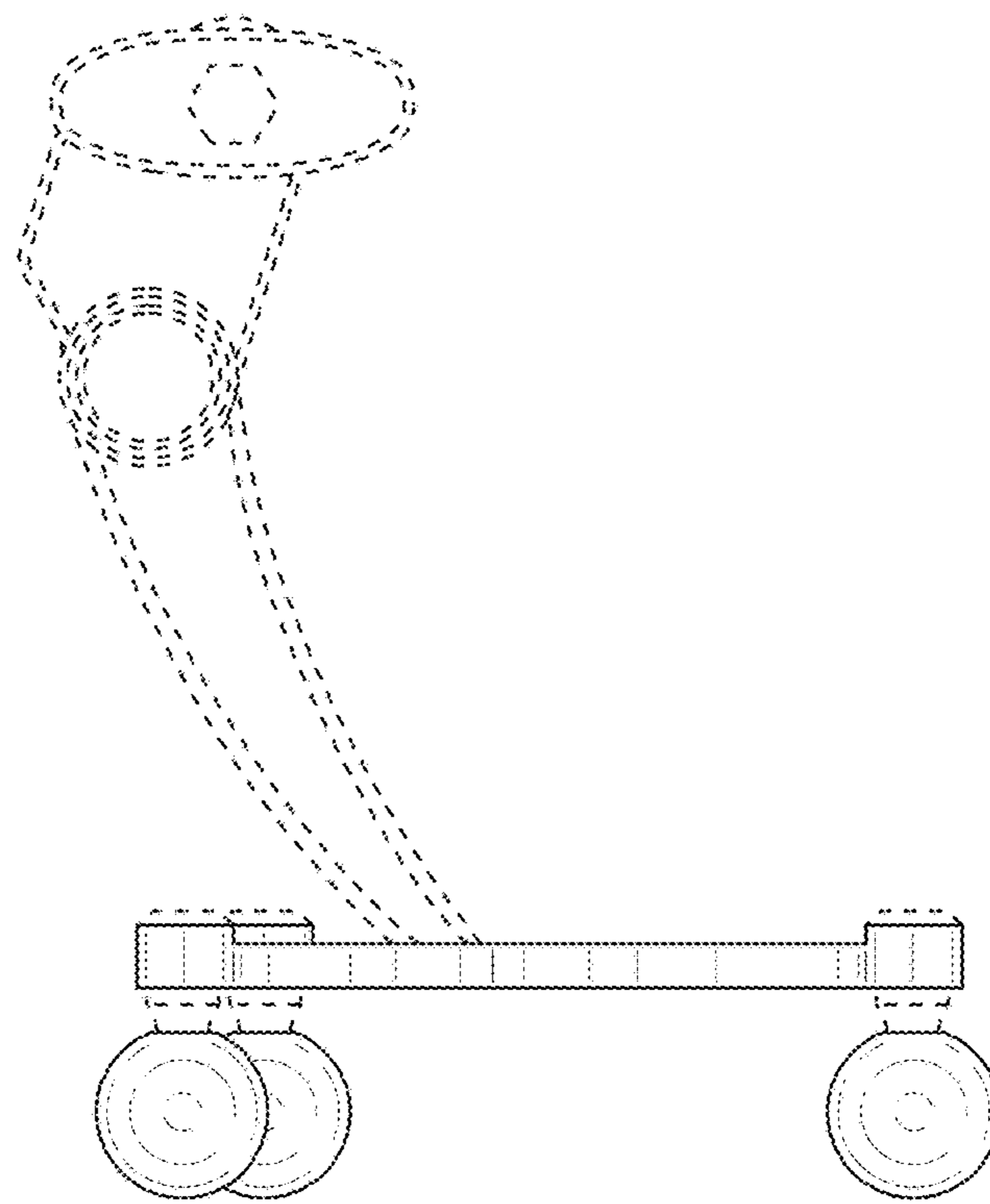
**FIG. 1**



**FIG. 2**

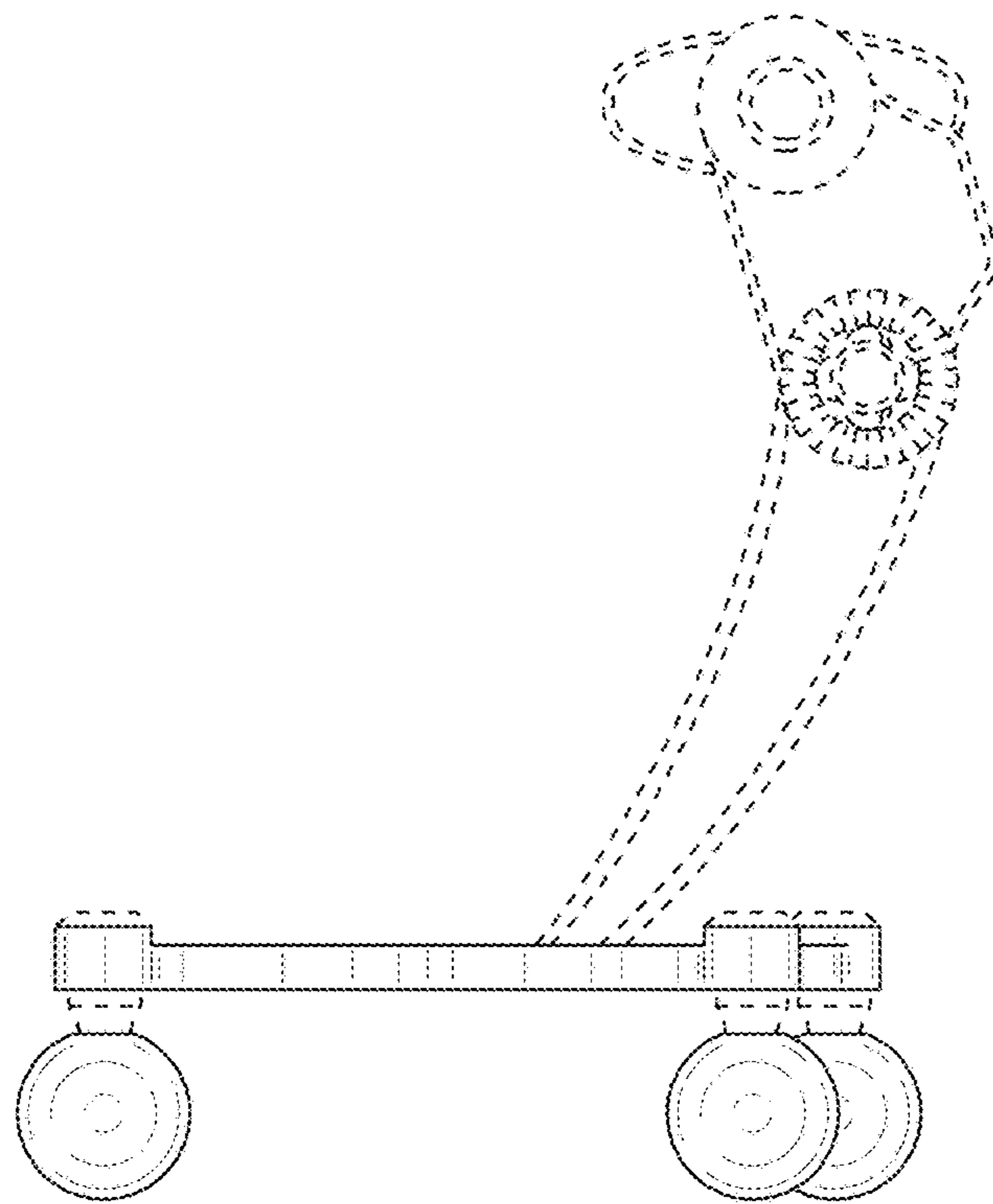


**FIG. 3**

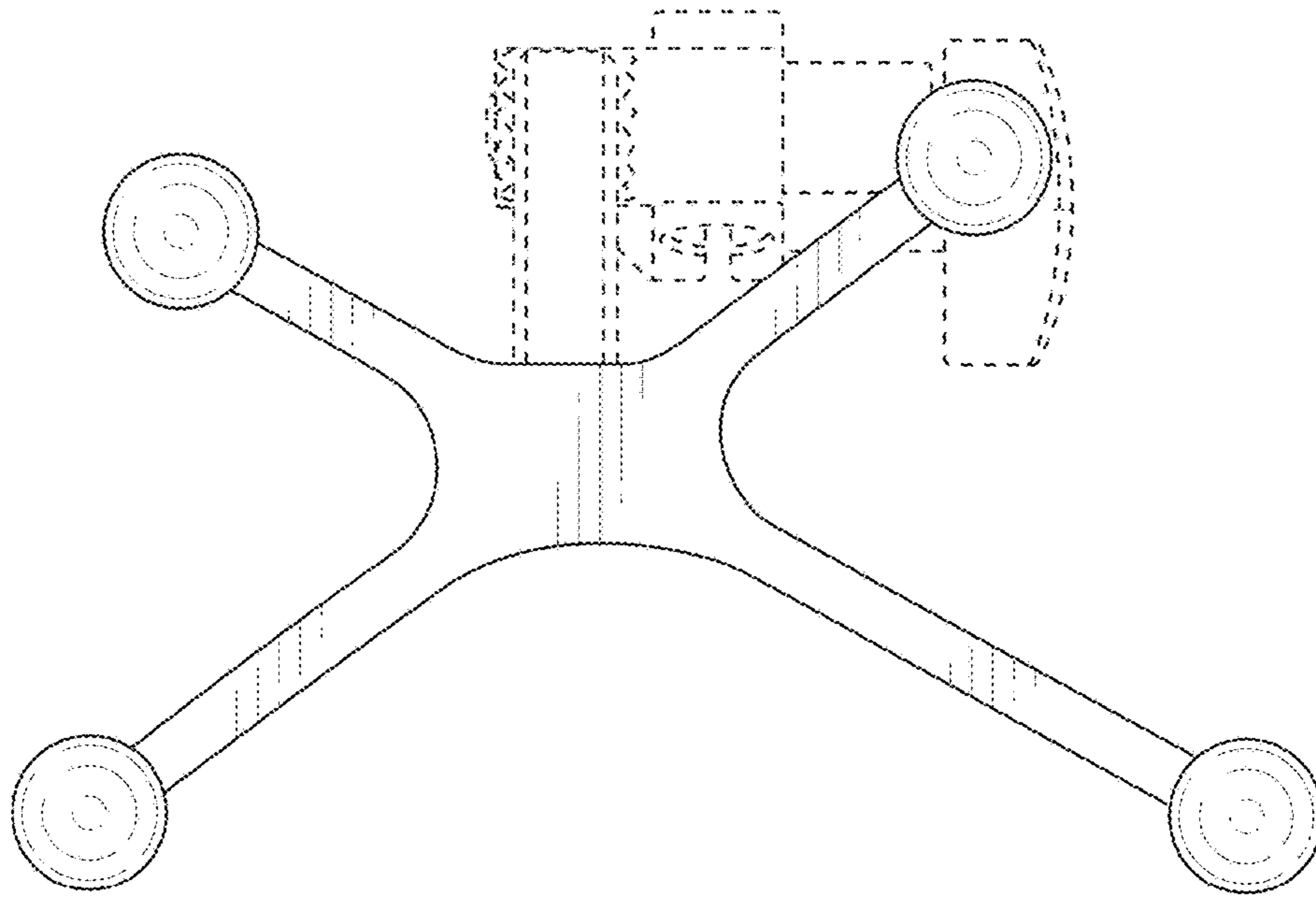


**FIG. 4**



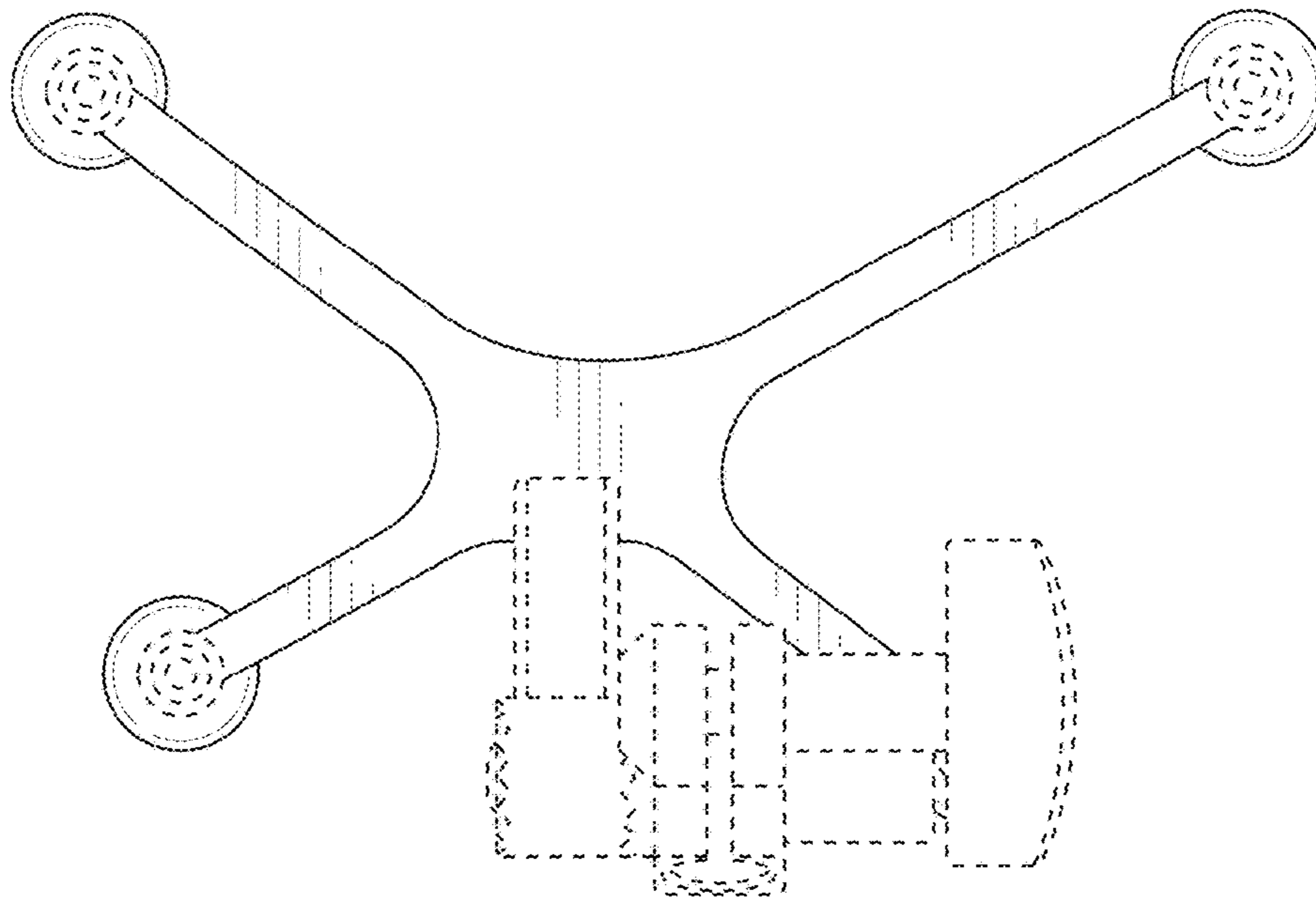


**FIG. 5**



**FIG. 6**





**FIG. 7**