



US00D857889S

(12) **United States Design Patent** (10) **Patent No.:** **US D857,889 S**  
**Ierulli** (45) **Date of Patent:** **\*\* Aug. 27, 2019**

- (54) **NASAL DILATOR WITH RELIEF CUTS**
- (71) Applicant: **Joseph V. Ierulli**, Bradenton, FL (US)
- (72) Inventor: **Joseph V. Ierulli**, Bradenton, FL (US)
- (73) Assignee: **Corbett Lair Inc.**, Bradenton, FL (US)
- (\*\*) Term: **15 Years**
- (21) Appl. No.: **29/654,130**
- (22) Filed: **Jun. 21, 2018**

**Related U.S. Application Data**

- (63) Continuation-in-part of application No. 29/637,509, filed on Feb. 19, 2018.
- (51) **LOC (12) Cl.** ..... **24-02**
- (52) **U.S. Cl.**  
USPC ..... **D24/135**
- (58) **Field of Classification Search**  
USPC ..... D24/133, 135, 136, 189  
CPC ..... A61F 5/08; A61B 17/0057; A61B 1/233;  
A61M 29/00; A61M 29/02  
See application file for complete search history.

(56) **References Cited**

**U.S. PATENT DOCUMENTS**

D379,513 S *	5/1997	Ierulli	.....	D24/106
D432,652 S *	10/2000	Ierulli	.....	D24/135
6,676,681 B1 *	1/2004	Blach	.....	A61D 7/04 128/200.24
7,022,891 B2 *	4/2006	Beaudry	.....	A61F 5/08 602/41
8,047,201 B2 *	11/2011	Guyuron	.....	A61F 5/08 128/200.24
D741,998 S *	10/2015	Martin	.....	D24/135
D746,982 S *	1/2016	Ierulli	.....	D24/135
D755,376 S *	5/2016	Ierulli	.....	D24/135
D759,241 S *	6/2016	Ierulli	.....	D24/135

D764,662 S *	8/2016	Ierulli	.....	D24/135
2011/0000483 A1 *	1/2011	Matthias	.....	A61F 5/08 128/200.24
2015/0216709 A1 *	8/2015	Peck	.....	A61F 5/08 606/204.45
2015/0230966 A1 *	8/2015	Ierulli	.....	A61F 5/08 606/204.45

**FOREIGN PATENT DOCUMENTS**

WO WO-2015159186 A1 \* 10/2015 ..... A61F 5/08

\* cited by examiner

*Primary Examiner* — Susan Bennett Hattan

*Assistant Examiner* — Lauren D McVey

(74) *Attorney, Agent, or Firm* — Mersenne Law

(57) **CLAIM**

A nasal dilator with relief cuts, as shown and described.

**DESCRIPTION**

FIG. 1 is a top plan view of a first embodiment of a nasal dilator with relief cuts showing my new design in the unflexed state;

FIG. 2 is a three-quarter perspective view thereof;

FIG. 3 is a right side perspective view shown in an in-use state;

FIG. 4 is a top plan view showing my new design in the slightly flexed state;

FIG. 5 is a top plan view of a second embodiment of a nasal dilator with relief cuts showing my new design in the unflexed state;

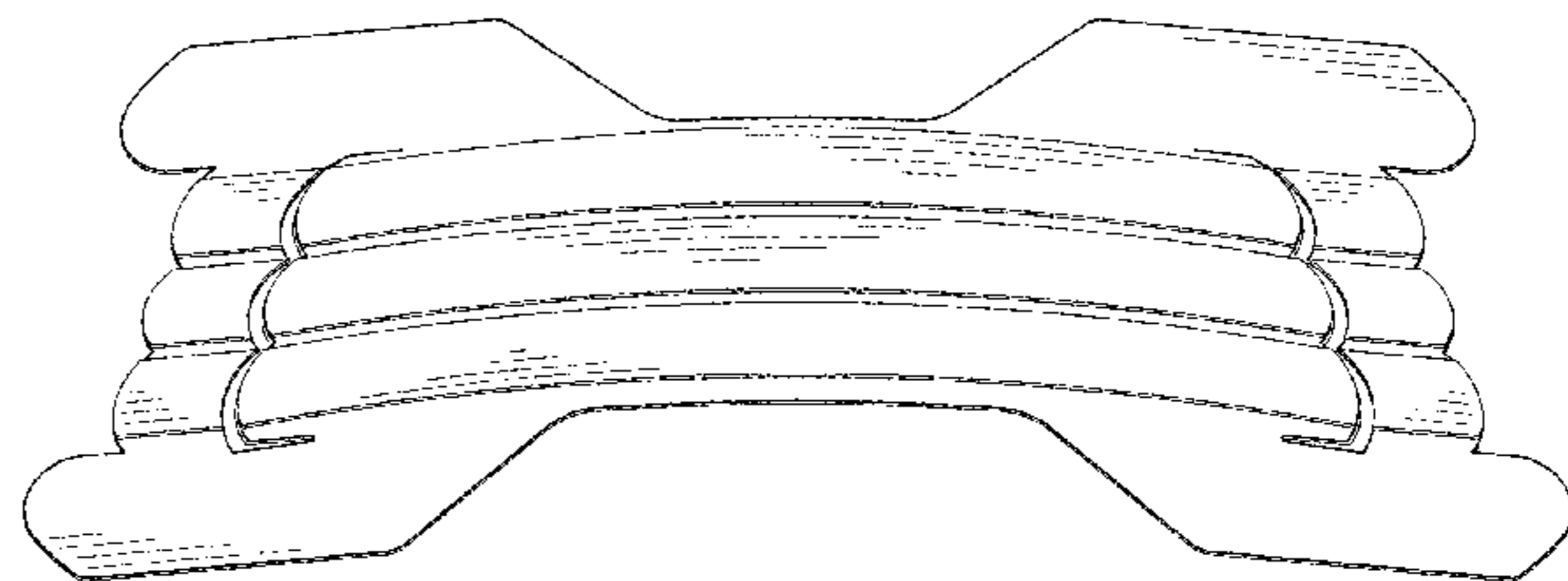
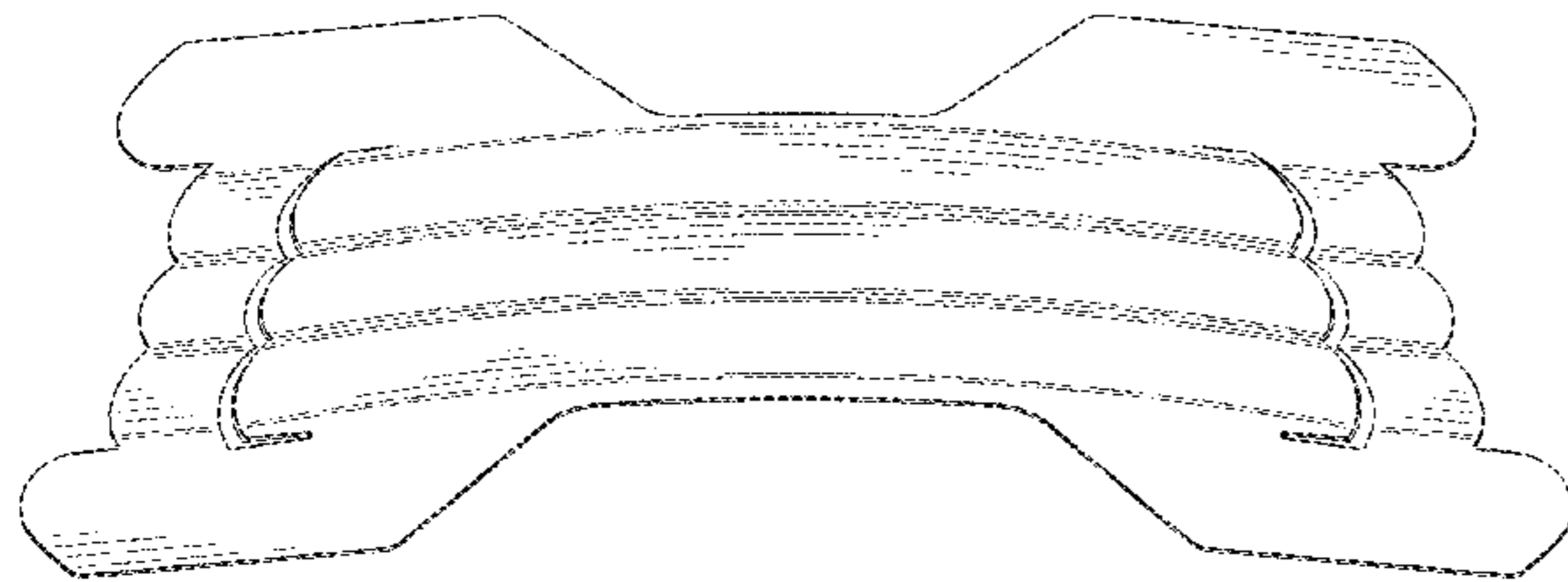
FIG. 6 is a three-quarter perspective view thereof;

FIG. 7 is a right side perspective view shown in an in-use state; and,

FIG. 8 is a top plan view showing my new design in the slightly flexed state.

The broken line showing of human facial features is directed to environment and is for illustrative purposes only; the broken lines form no part of the claimed design.

**1 Claim, 4 Drawing Sheets**



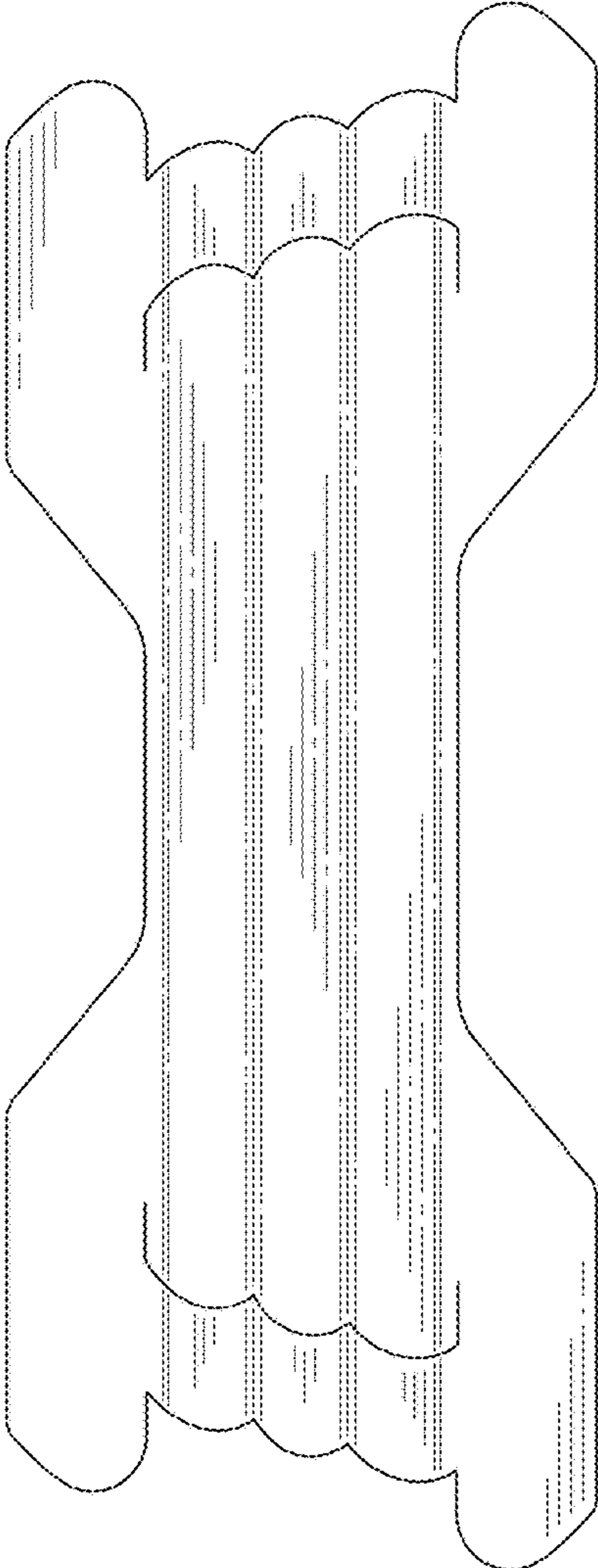


FIG. 1

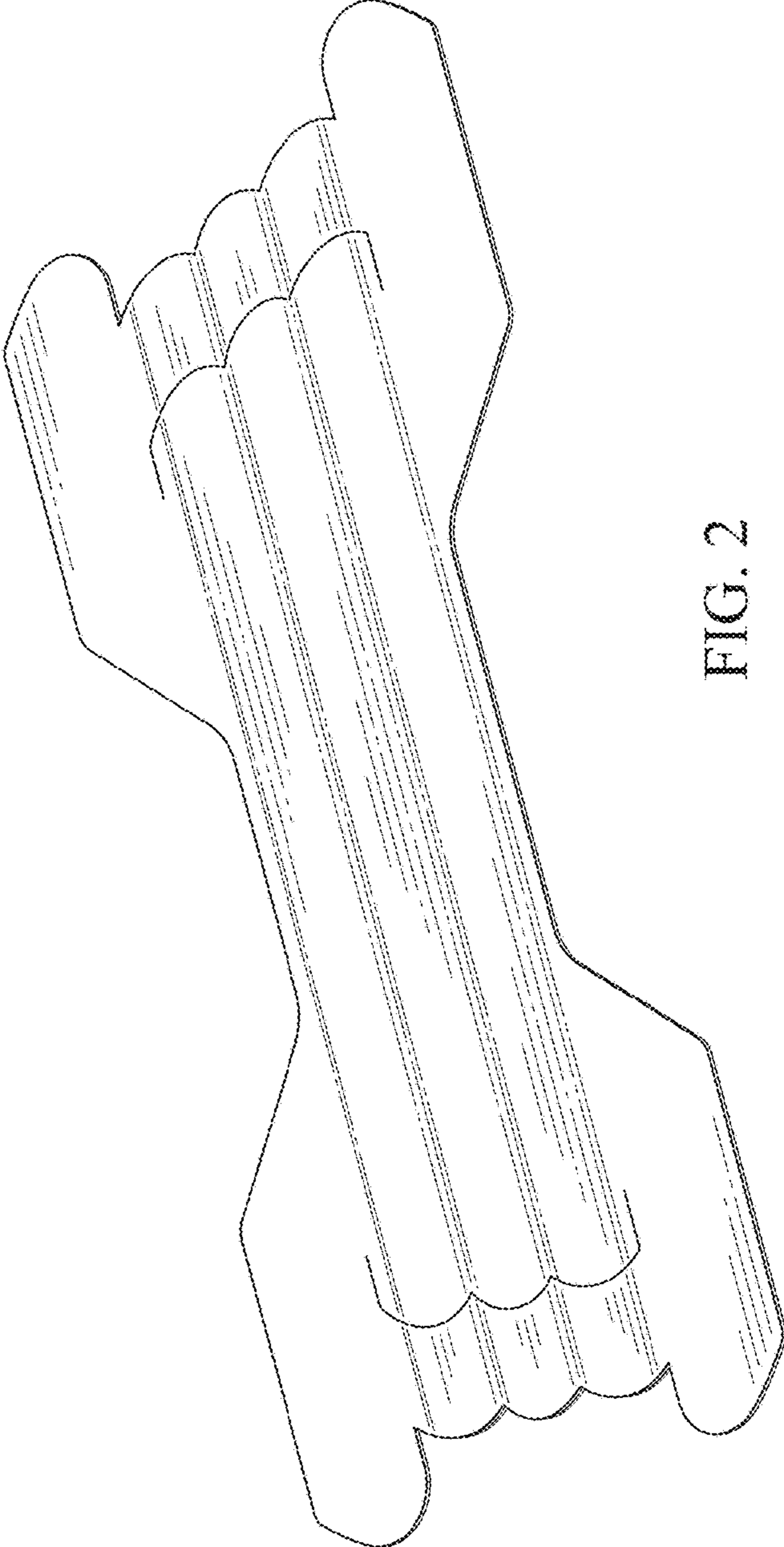


FIG. 2

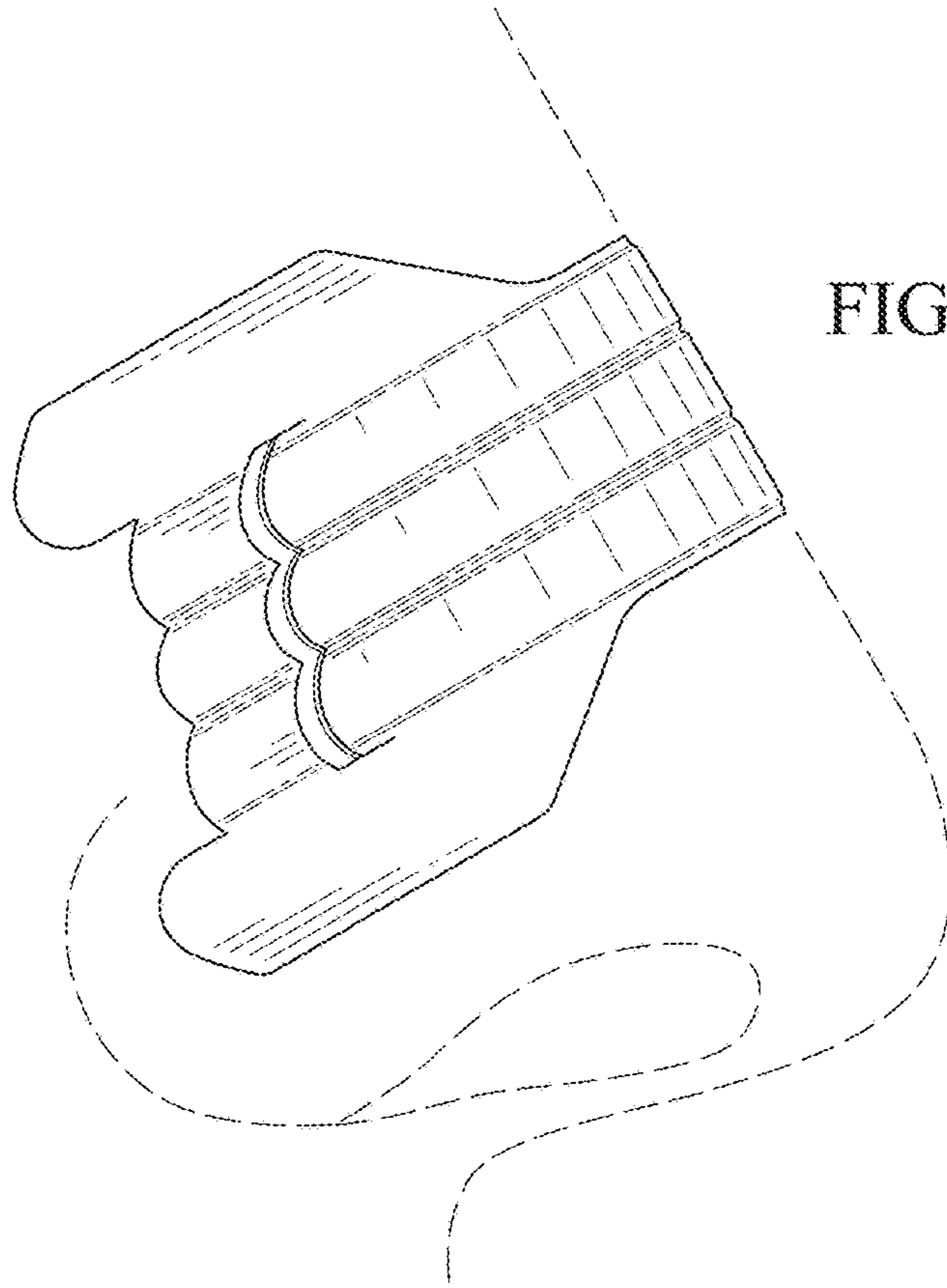


FIG. 3

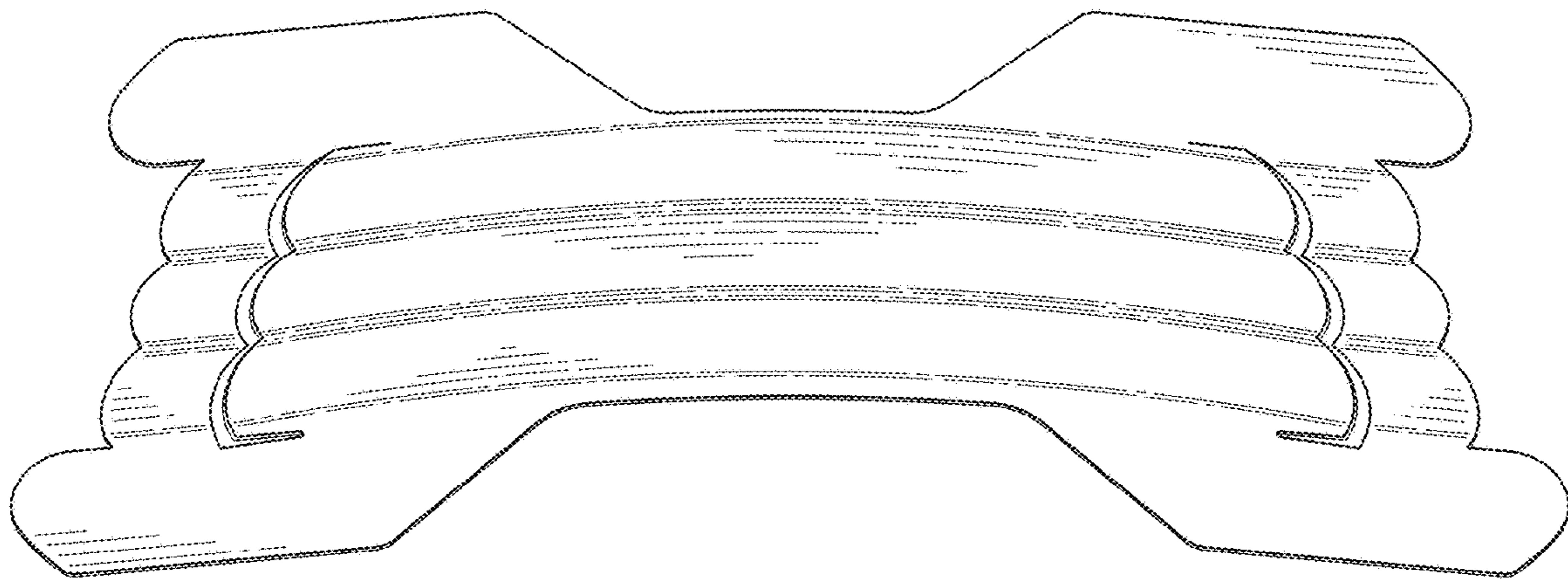
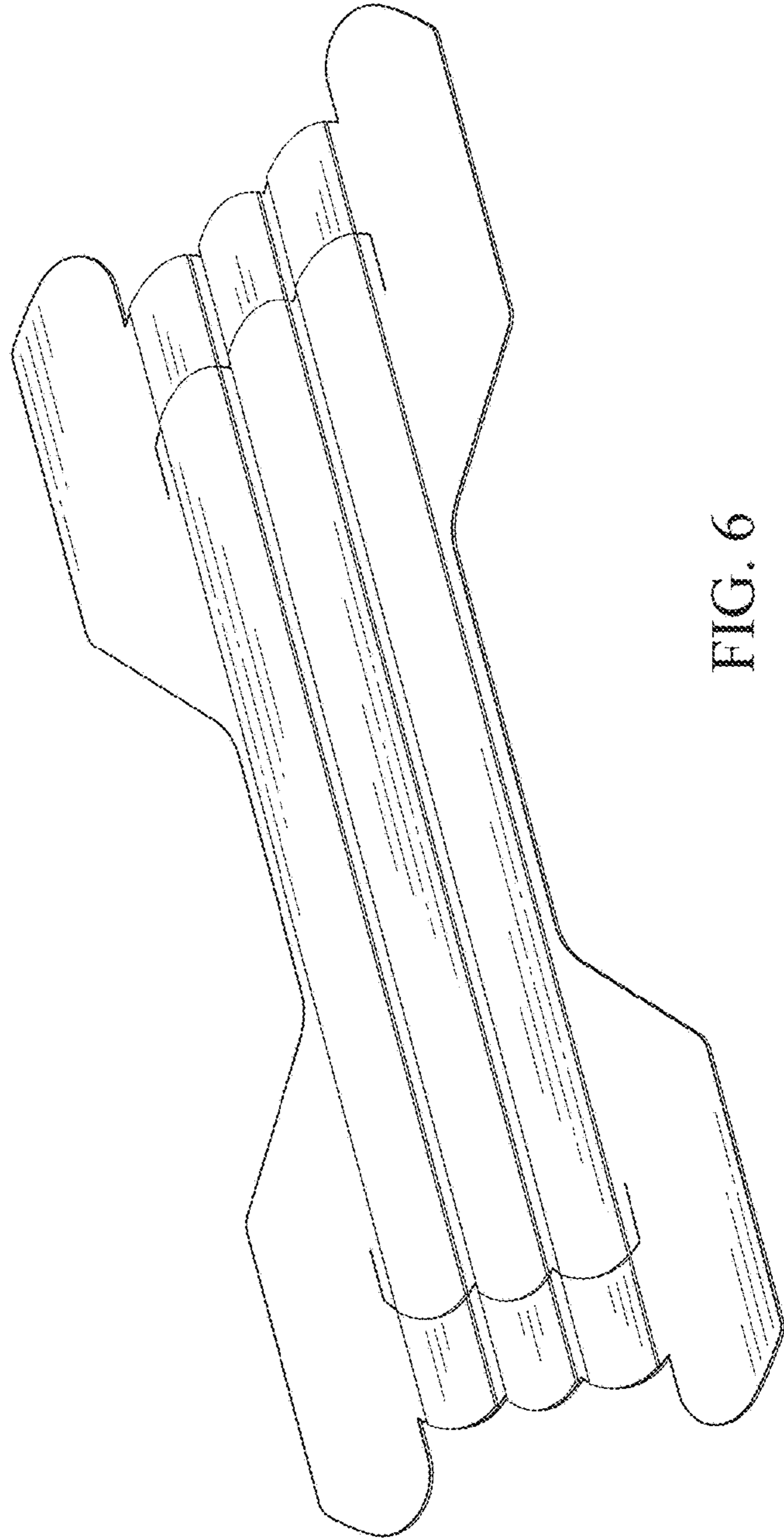
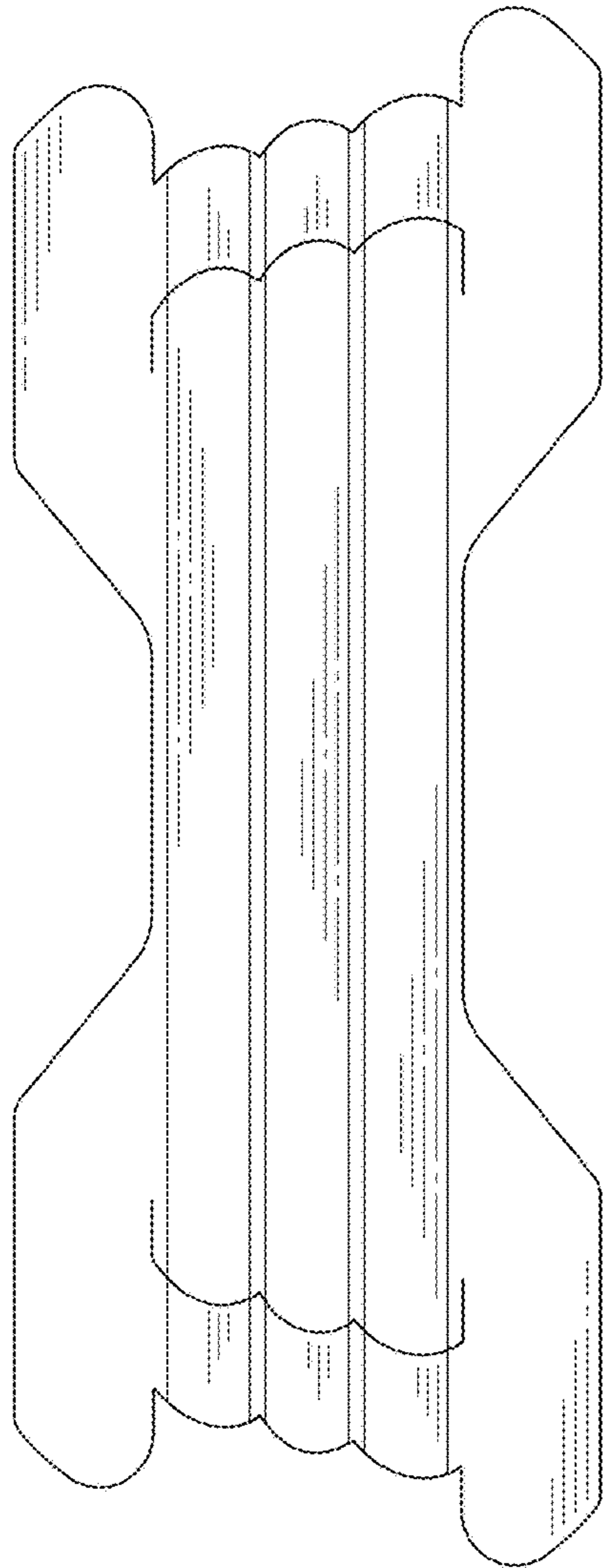


FIG. 4



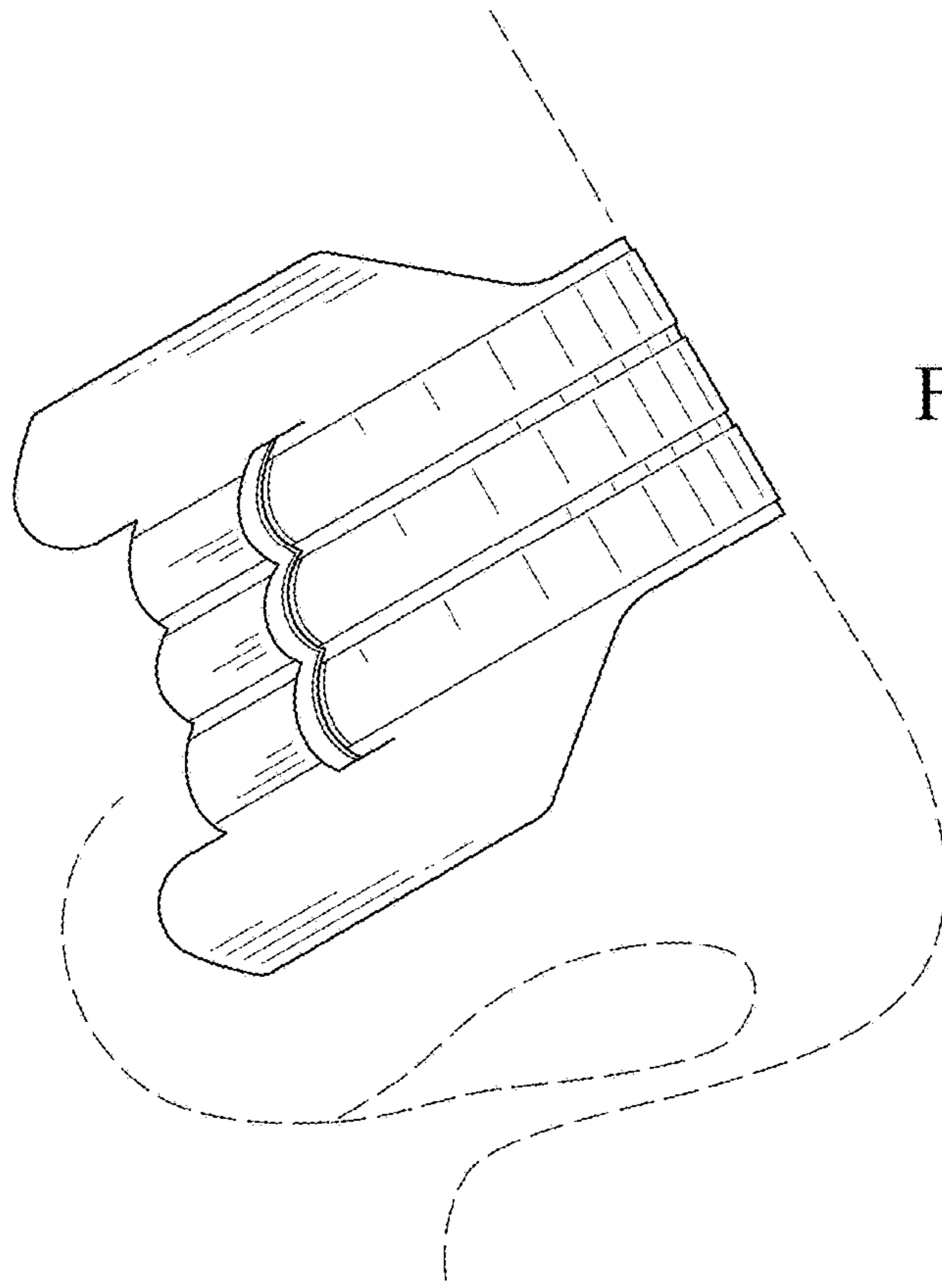


FIG. 7

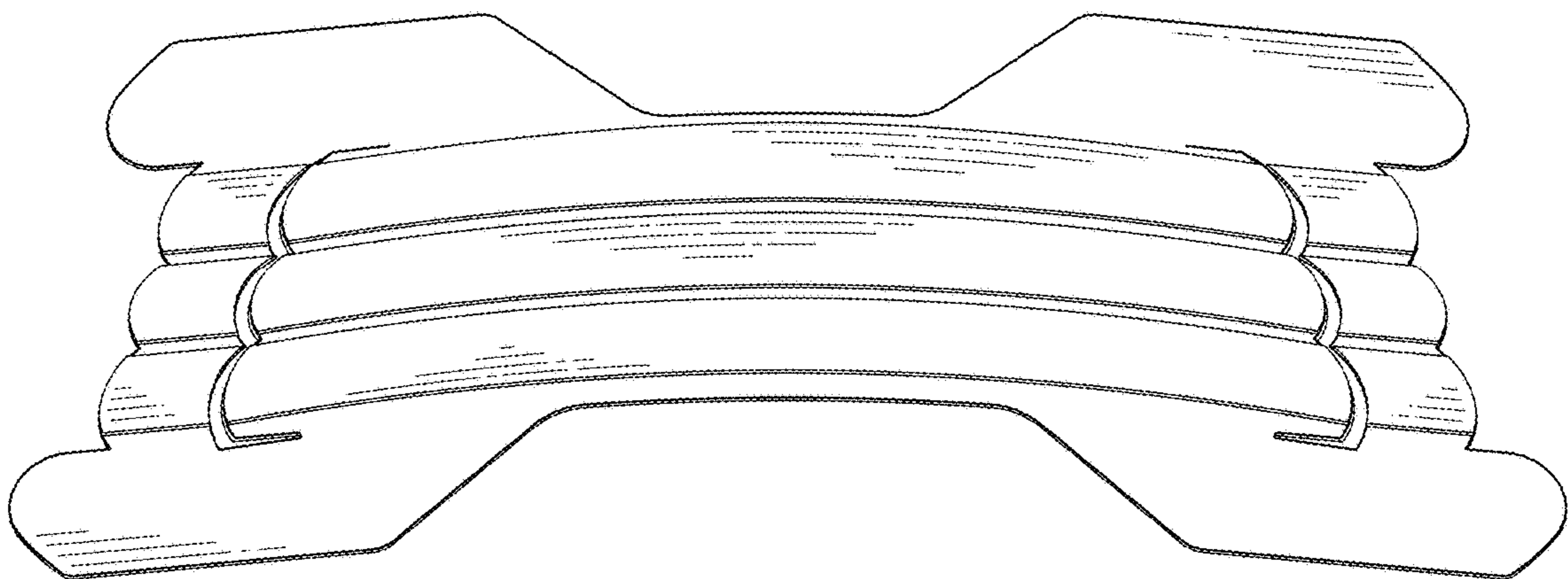


FIG. 8