



US00D857888S

(12) **United States Design Patent** (10) **Patent No.:** **US D857,888 S**
Ierulli (45) **Date of Patent:** **** Aug. 27, 2019**

(54) **NASAL DILATOR WITH RELIEF CUTS**
(71) Applicant: **Joseph V. Ierulli**, Bradenton, FL (US)
(72) Inventor: **Joseph V. Ierulli**, Bradenton, FL (US)
(73) Assignee: **Corbett Lair Inc.**, Bradenton, FL (US)
(**) Term: **15 Years**
(21) Appl. No.: **29/637,509**
(22) Filed: **Feb. 19, 2018**
(51) **LOC (12) Cl.** **24-02**
(52) **U.S. Cl.**
USPC **D24/135**
(58) **Field of Classification Search**
USPC D24/133, 135, 136, 189
CPC A61F 5/08; A61B 17/0057; A61B 1/233;
A61M 29/00; A61M 29/02
See application file for complete search history.

6,098,616 A 8/2000 Lundy et al.
6,196,228 B1 3/2001 Kreitzer et al.
6,244,265 B1 6/2001 Cronk et al.
6,276,360 B1 8/2001 Cronk et al.
6,318,362 B1 11/2001 Johnson
(Continued)

FOREIGN PATENT DOCUMENTS

EP 855175 A1 7/1998
ES 289561 10/1985

Primary Examiner — Susan Bennett Hattan
Assistant Examiner — Lauren D McVey
(74) *Attorney, Agent, or Firm* — Mersenne Law

(57) **CLAIM**

A nasal dilator with relief cuts, as shown and described.

DESCRIPTION

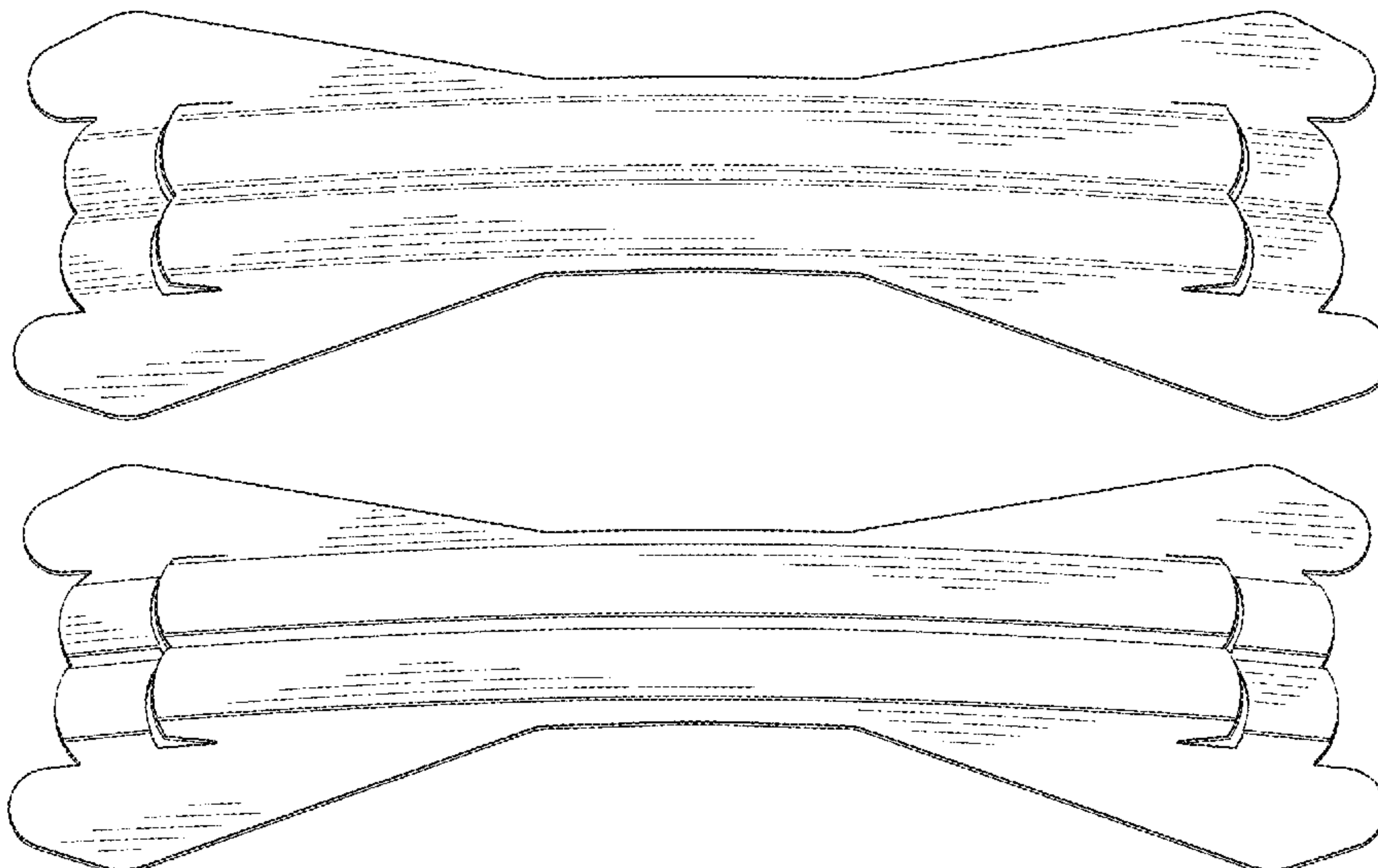
FIG. 1 is a top plan view of a first embodiment of a nasal dilator with relief cuts showing my new design in the unflexed state;
FIG. 2 is a three-quarter perspective view thereof;
FIG. 3 is a top plan view showing my new design in the slightly flexed state;
FIG. 4 is a right side perspective view shown in an in-use state;
FIG. 5 is a top plan view of a second embodiment of a nasal dilator with relief cuts showing my new design in the unflexed state;
FIG. 6 is a three-quarter perspective view thereof;
FIG. 7 is a top plan view showing my new design in the slightly flexed state; and,
FIG. 8 is a right side perspective view shown in an in-use state.
The broken line showing of human facial features is directed to environment and is for illustrative purposes only; the broken lines form no part of the claimed design.

(56) **References Cited**

U.S. PATENT DOCUMENTS

5,476,091 A 12/1995 Johnson
5,479,944 A 1/1996 Petruson
5,533,499 A 7/1996 Johnson
5,533,503 A 7/1996 Doubek et al.
5,546,929 A 8/1996 Muchin
5,549,103 A 8/1996 Johnson
RE35,408 E 12/1996 Petruson
5,611,333 A 3/1997 Johnson
5,653,224 A 8/1997 Johnson
5,706,800 A 1/1998 Cronk et al.
5,718,224 A 2/1998 Muchin
5,769,089 A 6/1998 Hand et al.
5,890,486 A 4/1999 Mitra et al.
5,931,854 A 8/1999 Dillon
5,957,126 A 9/1999 Neeser
6,006,746 A 12/1999 Karell
6,029,658 A 2/2000 De Voss
6,058,931 A 5/2000 Muchin
6,065,470 A 5/2000 Van Cromvoirt et al.

1 Claim, 4 Drawing Sheets



(56)

References Cited

U.S. PATENT DOCUMENTS

6,357,436 B1	3/2002	Kreitzer et al.	9,364,367 B2	6/2016	Ierulli	
6,375,667 B1	4/2002	Ruch	9,364,368 B2	6/2016	Ierulli	
6,453,901 B1	9/2002	Ierulli	9,381,332 B2	7/2016	Judd	
6,470,883 B1	10/2002	Beaudry	D764,055 S	8/2016	Ierulli et al.	
6,550,474 B1	4/2003	Anderson et al.	D764,662 S	8/2016	Ierulli et al.	
6,694,970 B2	2/2004	Spinelli et al.	9,414,957 B1	8/2016	Fischell	
6,769,428 B2	8/2004	Cronk et al.	9,427,945 B2	8/2016	Gray et al.	
6,769,429 B1	8/2004	Benetti	D779,666 S	2/2017	Ierulli et al.	
7,022,891 B2*	4/2006	Beaudry A61F 5/08 602/41	D779,667 S	2/2017	Ierulli et al.	
7,067,710 B1	6/2006	Beaudry	9,566,183 B1	2/2017	Fischell	
7,114,495 B2	10/2006	Lockwood, Jr.	D788,298 S	5/2017	Guyuron	
D639,762 S	6/2011	Brogden et al.	9,642,995 B2	5/2017	Fenton et al.	
D644,325 S	8/2011	Brunner et al.	D789,531 S	6/2017	Ierulli	
D644,324 S	10/2011	Brunner et al.	D790,058 S	6/2017	Ierulli et al.	
8,047,201 B2	11/2011	Guyuron et al.	D790,695 S	6/2017	Ierulli	
8,062,329 B2	11/2011	Ierulli	D791,312 S	7/2017	Peck	
D651,710 S	1/2012	Brogden et al.	D791,314 S	7/2017	Ierulli	
8,115,049 B2	2/2012	Beaudry	9,730,827 B2	8/2017	Ierulli	
D659,245 S	5/2012	Ierulli	9,730,828 B2	8/2017	Ierulli	
8,188,330 B2	5/2012	Beaudry	9,775,738 B2	10/2017	Andre	
D662,203 S	6/2012	Smith	9,844,456 B2	12/2017	Ierulli	
D667,543 S	9/2012	Ierulli	2008/0058858 A1	3/2008	Smith	
D671,643 S	11/2012	Ierulli	2008/0097517 A1	4/2008	Holmes et al.	
D672,461 S	12/2012	Brogden et al.	2009/0125052 A1	5/2009	Pinna et al.	
D672,872 S	12/2012	Brunner et al.	2009/0234383 A1	9/2009	Ierulli	
D673,270 S	12/2012	Brunner et al.	2010/0210988 A1	8/2010	Dallison	
8,342,173 B2	1/2013	Lockwood, Jr.	2010/0298861 A1	11/2010	Fenton	
8,444,670 B2	5/2013	Ierulli	2011/0000483 A1	1/2011	Matthias et al.	
8,584,671 B2	11/2013	Ierulli	2011/0054517 A1	3/2011	Holmes et al.	
8,616,198 B2	12/2013	Guyuron et al.	2011/0093004 A1*	4/2011	Ierulli A61F 5/08 606/204.45	
8,617,199 B2	12/2013	Eull et al.	2011/0166594 A1	7/2011	Eull	
8,641,852 B2	2/2014	Ierulli	2011/0224717 A1	9/2011	Lockwood	
D707,814 S	6/2014	Ierulli	2012/0004683 A1	1/2012	Gray	
D707,815 S	6/2014	Ierulli	2012/0022582 A1	1/2012	Guyuron	
8,834,511 B2	9/2014	Holmes et al.	2012/0067345 A1	3/2012	Shilon	
8,834,512 B1	9/2014	Brown et al.	2012/0172923 A1	7/2012	Fenton	
8,834,514 B2	9/2014	Smith	2012/0209313 A1	8/2012	Ierulli	
8,858,587 B2	10/2014	Ierulli	2012/0232455 A1	9/2012	Beaudry	
D722,161 S	2/2015	Reyers	2013/0104882 A1	5/2013	Ierulli	
D722,162 S	2/2015	Reyers	2013/0118488 A1	5/2013	Ledogar	
D725,772 S	3/2015	Ierulli	2014/0194922 A1	7/2014	Ierulli	
D725,773 S	3/2015	Ierulli	2014/0148844 A1	10/2014	Andre	
9,095,422 B2	8/2015	Gray	2014/0296904 A1	10/2014	Andre	
D738,496 S	9/2015	Peck	2014/0350596 A1	11/2014	Smith	
D739,015 S	9/2015	Martin	2015/0005812 A1	1/2015	Holmes	
9,119,620 B2	9/2015	Peterson et al.	2015/0012035 A1	1/2015	Ierulli	
D741,997 S	10/2015	Ierulli	2015/0051636 A1	2/2015	Lockwood	
D741,998 S	10/2015	Martin	2015/0090398 A1	4/2015	Ierulli	
D743,544 S	11/2015	Ierulli	2015/0090399 A1	4/2015	Ierulli	
D743,545 S	11/2015	Ierulli	2015/0094757 A1	4/2015	Ierulli	
D743,565 S	11/2015	Engel et al.	2015/0094758 A1	4/2015	Ierulli	
D745,147 S	12/2015	Ierulli	2015/0216709 A1	8/2015	Peck	
9,204,988 B1	12/2015	Fischell	2015/0230966 A1	8/2015	Ierulli	
D746,982 S	1/2016	Ierulli	2015/0250637 A1	9/2015	Ierulli	
D747,478 S	1/2016	Brunner et al.	2015/0290021 A1	10/2015	Gray	
D753,294 S	4/2016	Guyuron et al.	2015/0359654 A1	12/2015	Bentivegna et al.	
D755,376 S	5/2016	Ierulli	2016/0008161 A1	1/2016	Ierulli et al.	
D758,575 S	6/2016	Ierulli	2016/0278967 A1	9/2016	Ierulli	
D758,576 S	6/2016	Ierulli et al.	2016/0278968 A1	9/2016	Ierulli	
D759,240 S	6/2016	Ierulli	2016/0339619 A1	11/2016	Gray et al.	
D759,241 S	6/2016	Ierulli	2017/0112653 A9	4/2017	Ierulli	
D759,242 S	6/2016	Ierulli	2017/0143531 A9	5/2017	Ierulli	
			2017/0151084 A9	6/2017	Ierulli	
			2018/0021163 A9	1/2018	Ierulli	

* cited by examiner

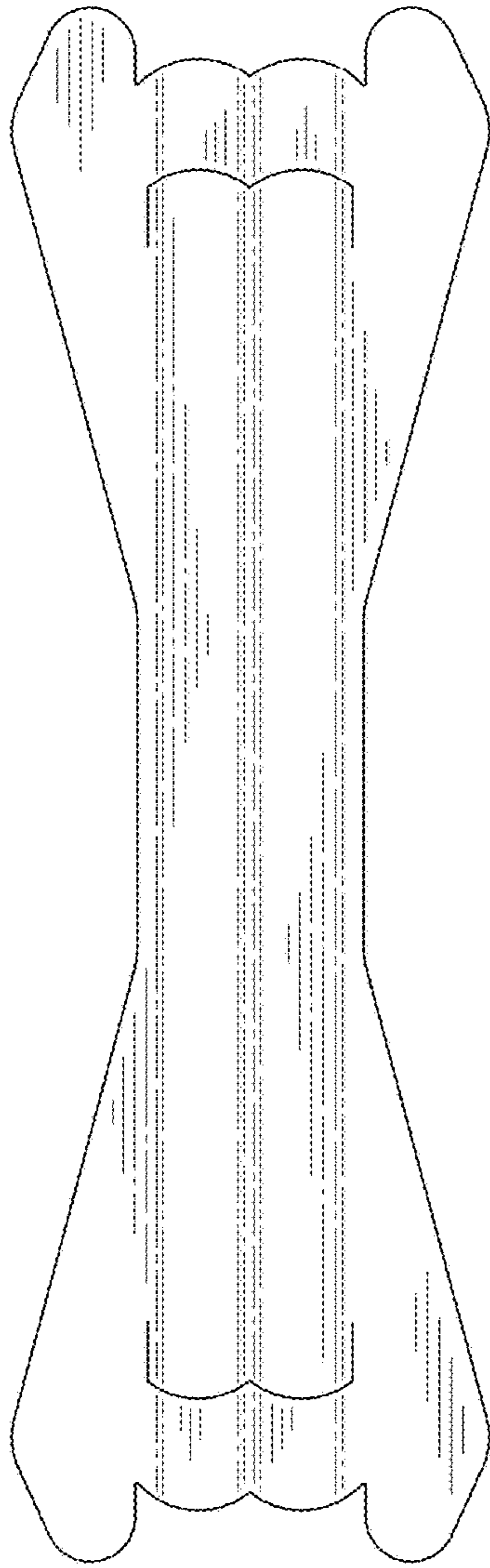


FIG. 1

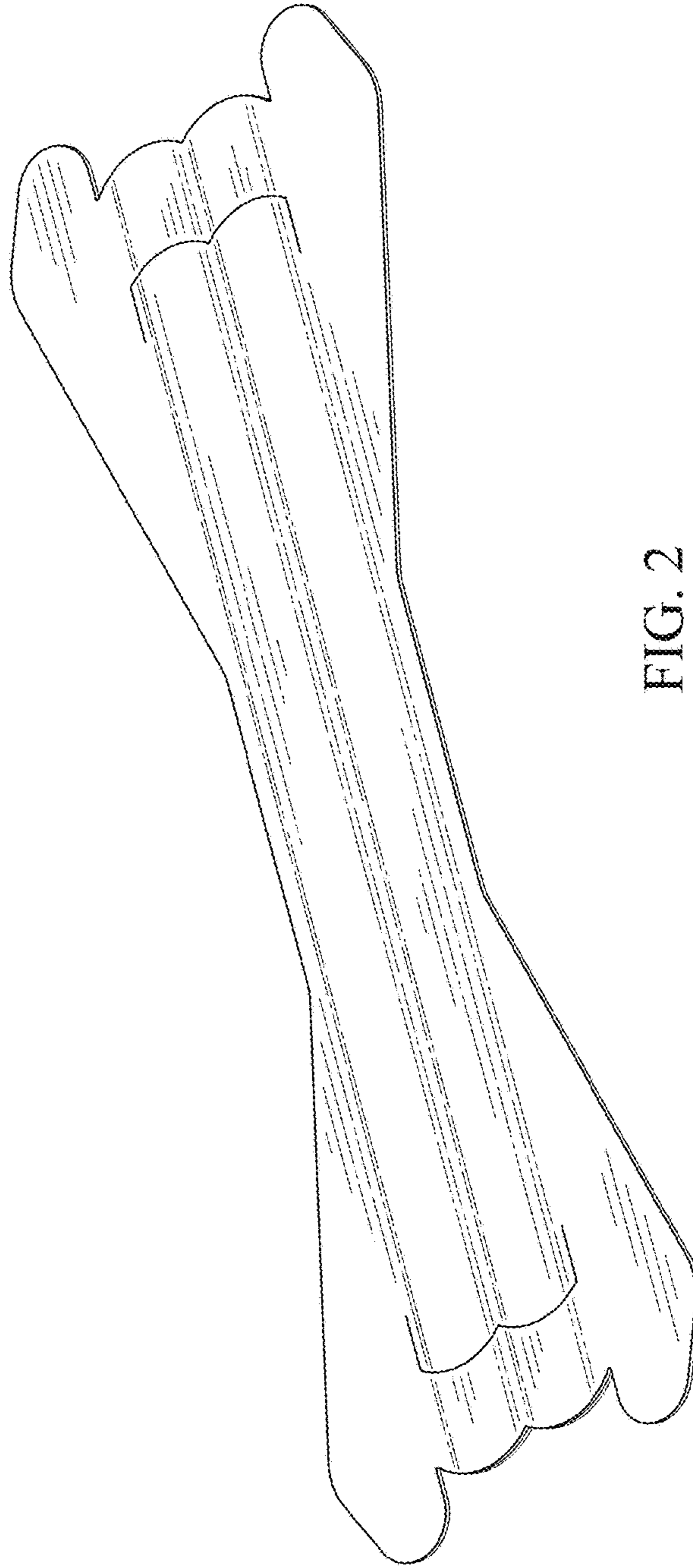


FIG. 2

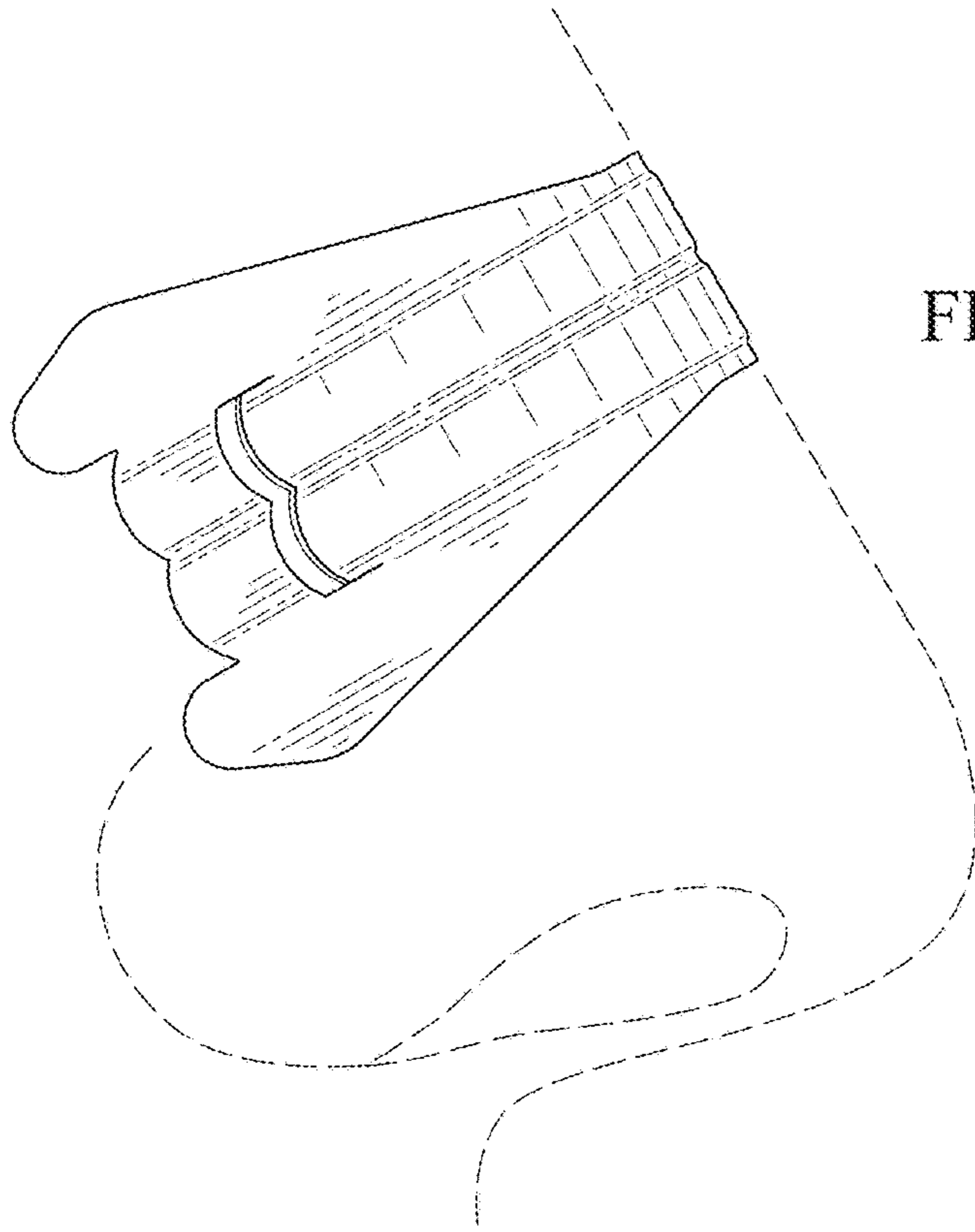


FIG. 4

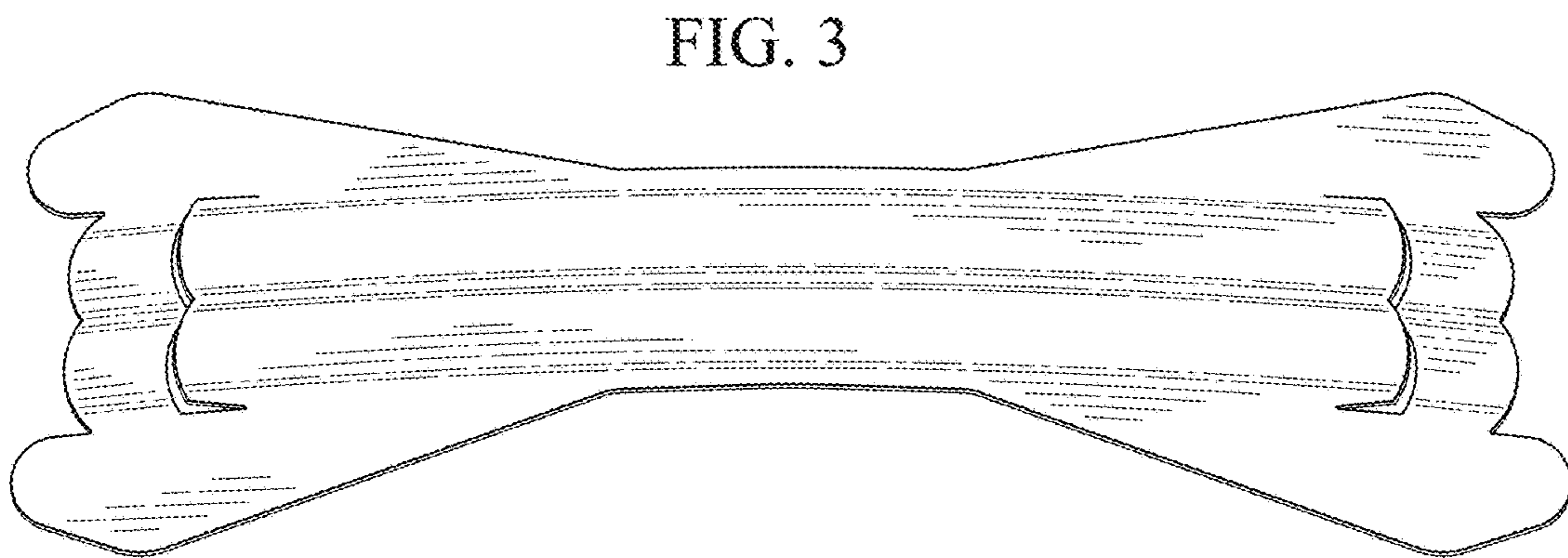


FIG. 3

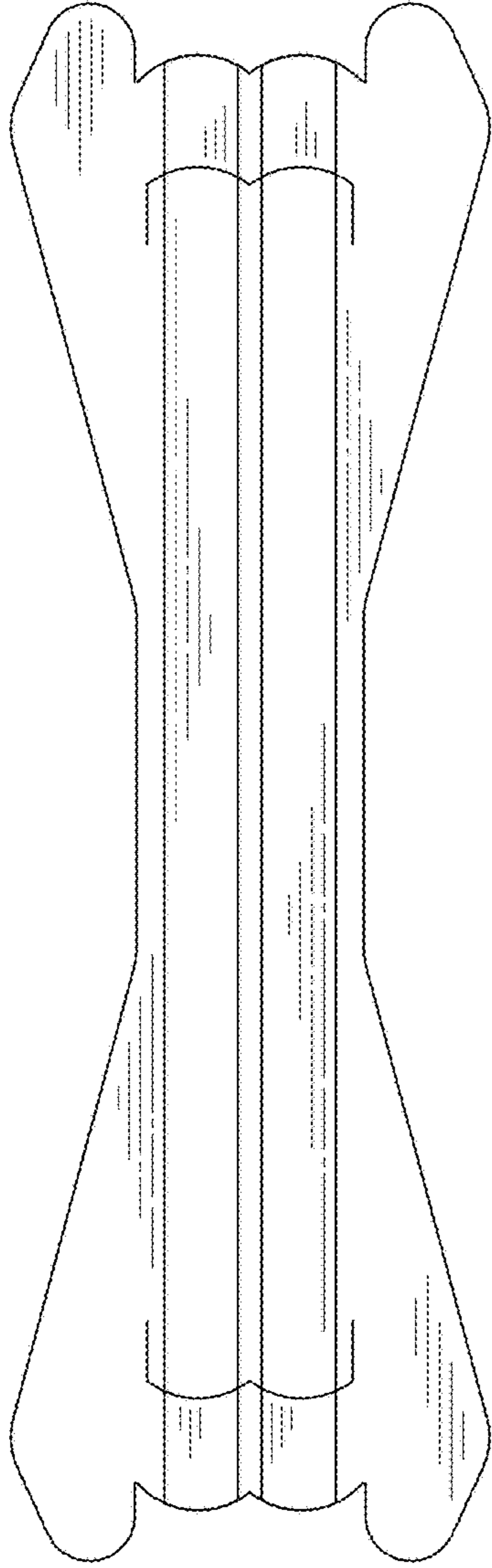


FIG. 5

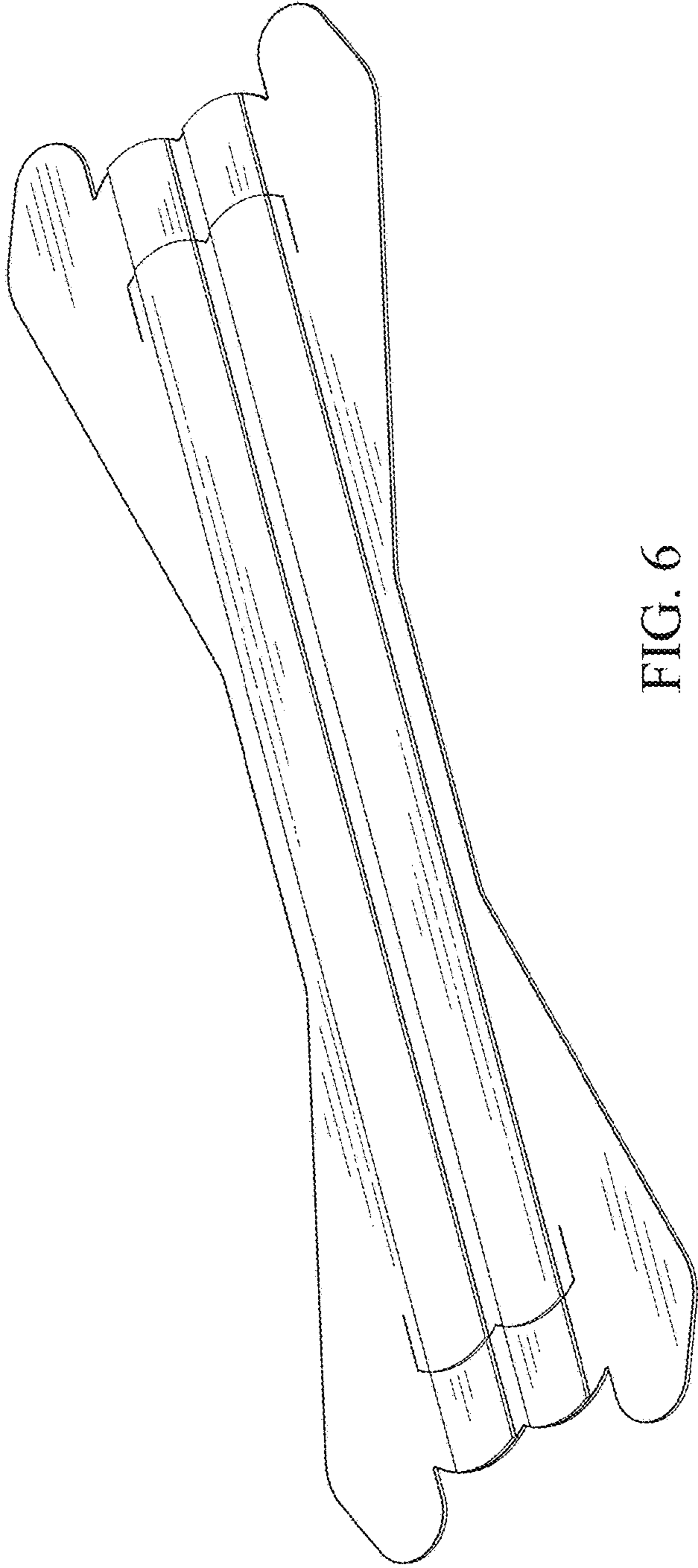


FIG. 6

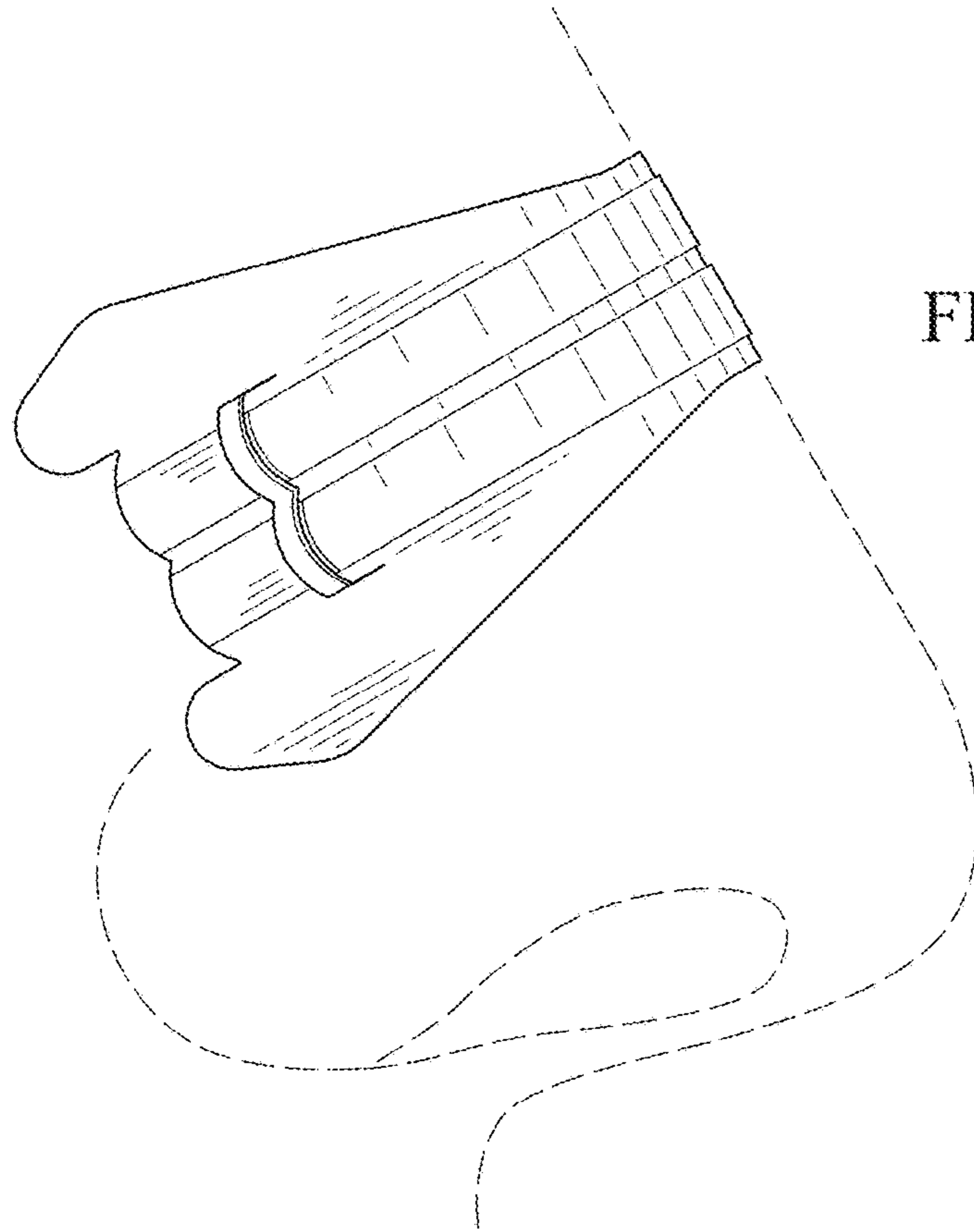


FIG. 8

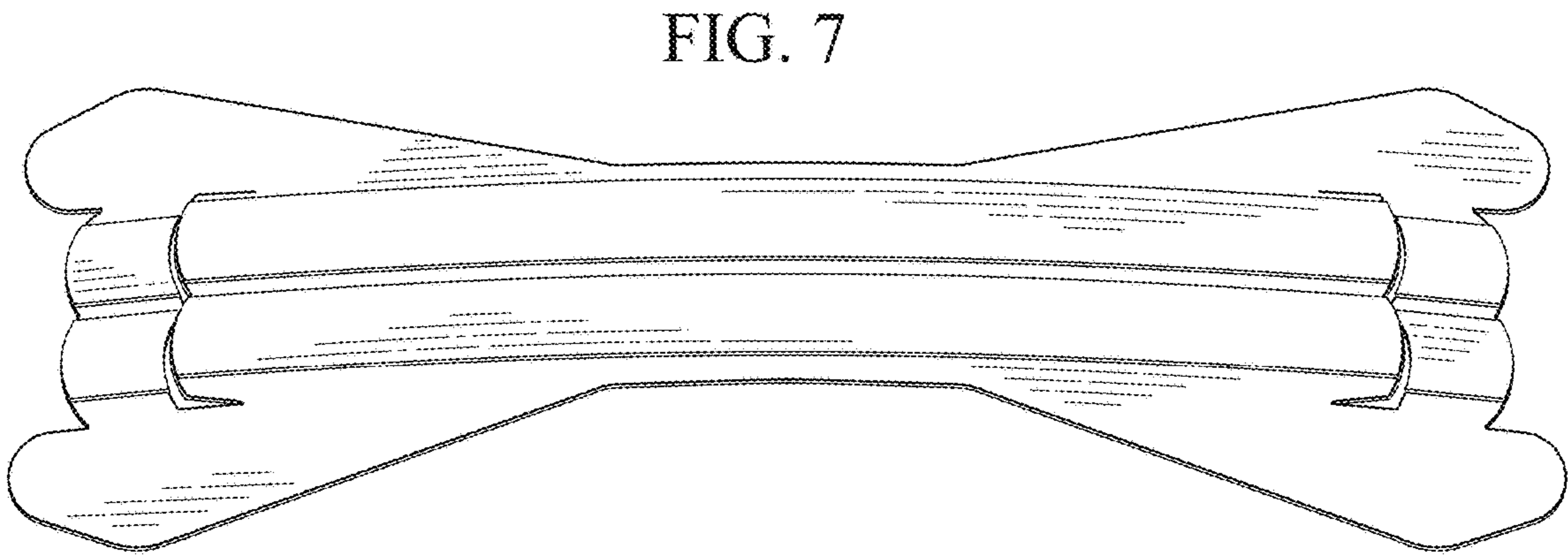


FIG. 7