



US00D857887S

(12) **United States Design Patent**  
**Ierulli**

(10) **Patent No.:** **US D857,887 S**

(45) **Date of Patent:** **\*\* Aug. 27, 2019**

(54) **NASAL DILATOR**

(71) Applicant: **Joseph V. Ierulli**, Bradenton, FL (US)

(72) Inventor: **Joseph V. Ierulli**, Bradenton, FL (US)

(73) Assignee: **Corbett Lair Inc.**, Bradenton, FL (US)

(\*\*) Term: **15 Years**

(21) Appl. No.: **29/636,025**

(22) Filed: **Feb. 5, 2018**

**Related U.S. Application Data**

(60) Continuation of application No. 29/603,437, filed on May 9, 2017, now Pat. No. Des. 812,749, which is a continuation of application No. 29/562,659, filed on Apr. 27, 2016, now Pat. No. Des. 790,695, which is a continuation of application No. 29/514,995, filed on Jan. 19, 2015, now Pat. No. Des. 758,575, which is a division of application No. 29/455,902, filed on May 24, 2013, now Pat. No. Des. 725,772, which is a continuation-in-part of application No. 13/437,929, filed on Apr. 3, 2012, now abandoned.

(51) **LOC (12) Cl.** ..... **24-02**

(52) **U.S. Cl.**  
USPC ..... **D24/135**

(58) **Field of Classification Search**  
USPC ..... D24/133, 135, 136, 189  
CPC ..... A61F 5/08; A61B 17/0057; A61B 1/233;  
A61M 29/00; A61M 29/02  
See application file for complete search history.

(56) **References Cited**

**U.S. PATENT DOCUMENTS**

5,383,891 A \* 1/1995 Walker ..... A61F 13/00063  
206/438  
5,476,091 A 12/1995 Johnson  
5,479,944 A 1/1996 Petruson  
5,533,499 A 7/1996 Johnson

5,533,503 A 7/1996 Doubek et al.  
5,546,929 A 8/1996 Muchin  
5,549,103 A 8/1996 Johnson  
RE35,408 E 12/1996 Petruson  
5,611,333 A 3/1997 Johnson  
D379,513 S \* 5/1997 Ierulli ..... D24/106  
5,653,224 A 8/1997 Johnson  
5,706,800 A 1/1998 Cronk et al.  
5,718,224 A 2/1998 Muchin  
5,769,089 A 6/1998 Hand et al.

(Continued)

**FOREIGN PATENT DOCUMENTS**

EP 855175 A1 7/1998  
ES 289561 10/1985  
JP 2015089427 A \* 5/2015 ..... A61F 5/08

*Primary Examiner* — Susan Bennett Hattan

*Assistant Examiner* — Lauren D McVey

(74) *Attorney, Agent, or Firm* — Mersenne Law

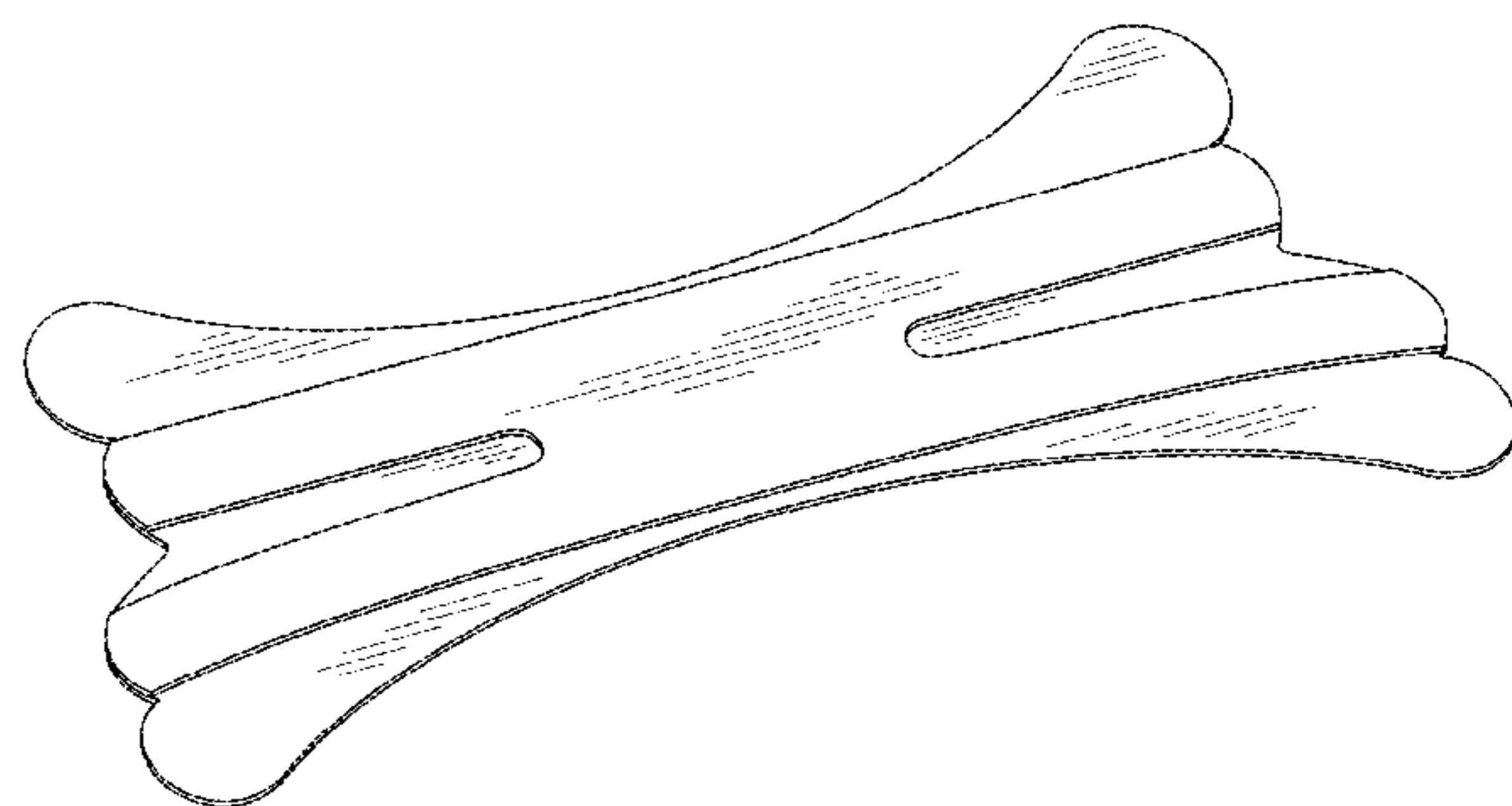
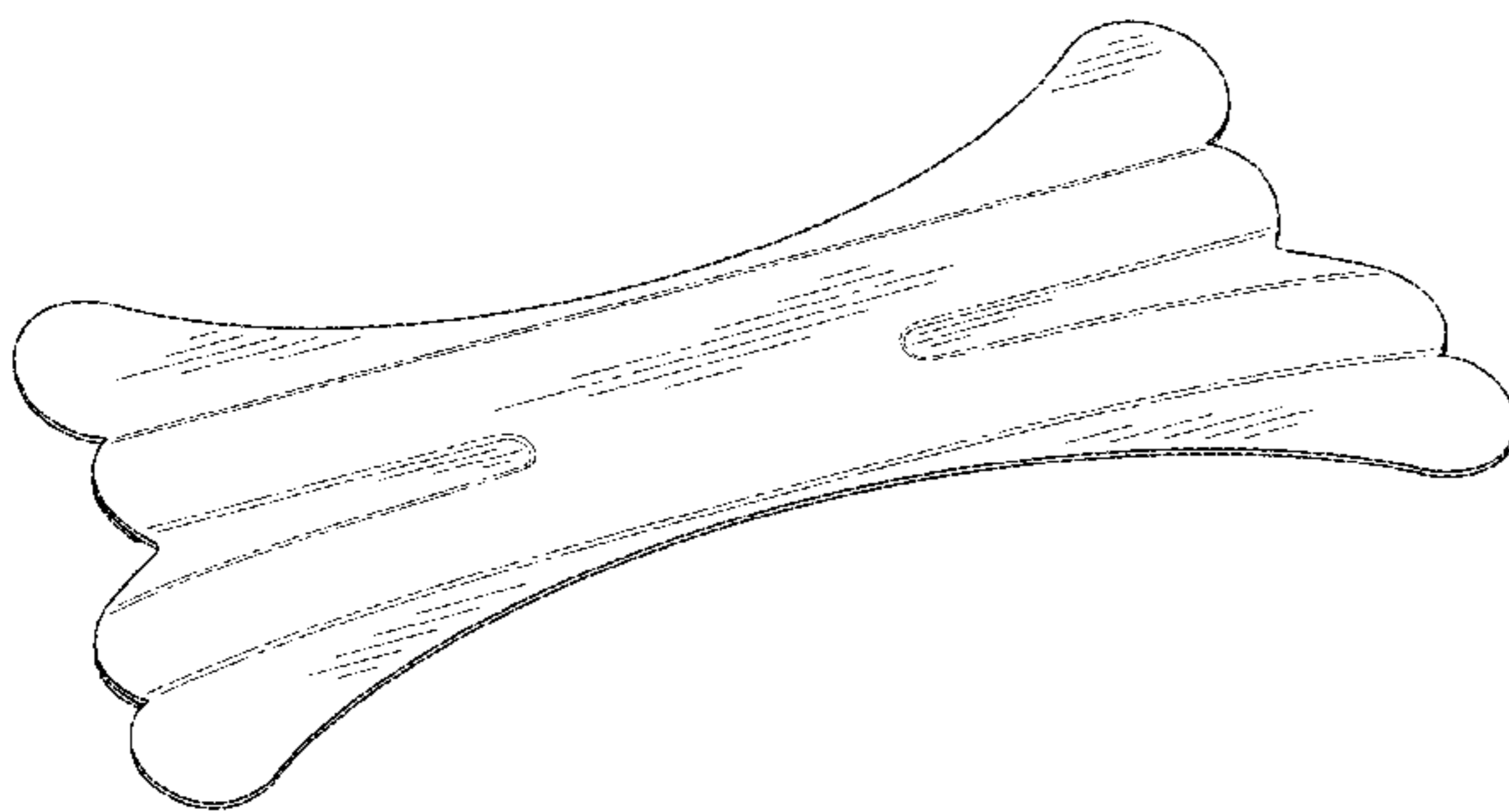
(57) **CLAIM**

The ornamental design for a nasal dilator, as shown and described.

**DESCRIPTION**

FIG. 1 is a top plan view of a first embodiment of a nasal dilator showing my new design;  
FIG. 2 is a perspective view thereof, showing the dilator in an in-use state;  
FIG. 3 is a representative drawing showing a three-quarter perspective view thereof;  
FIG. 4 is a top plan view of a second embodiment of a nasal dilator showing my new design;  
FIG. 5 is a perspective view thereof, showing the dilator in an in-use state; and,  
FIG. 6 is a three-quarter perspective view thereof.  
The broken line showing of human facial features is directed to environment and is for illustrative purposes only; the broken lines form no part of the claimed design.

**1 Claim, 2 Drawing Sheets**



(56)

References Cited

U.S. PATENT DOCUMENTS

5,890,486 A	4/1999	Mitra et al.	D746,982 S	1/2016	Ierulli
5,931,854 A	8/1999	Dillon	D747,478 S	1/2016	Brunner et al.
5,957,126 A	9/1999	Neeser	D753,294 S	4/2016	Guyuron et al.
6,006,746 A	12/1999	Karell	D755,376 S	5/2016	Ierulli
6,029,658 A	2/2000	De Voss	D758,575 S	6/2016	Ierulli
6,058,931 A	5/2000	Muchin	D758,576 S	6/2016	Ierulli et al.
6,065,470 A	5/2000	Van Cromvoirt et al.	D759,240 S	6/2016	Ierulli
D430,295 S *	8/2000	Ierulli ..... D24/135	D759,241 S	6/2016	Ierulli
6,098,616 A	8/2000	Lundy et al.	D759,242 S	6/2016	Ierulli
6,196,228 B1	3/2001	Kreitzer et al.	9,364,367 B2	6/2016	Ierulli
6,244,265 B1	6/2001	Cronk et al.	9,364,368 B2	6/2016	Ierulli
6,276,360 B1	8/2001	Cronk et al.	9,381,332 B2	7/2016	Judd
6,318,362 B1	11/2001	Johnson	D764,055 S	8/2016	Ierulli et al.
6,328,754 B1 *	12/2001	Marten ..... A61F 5/08 606/199	D764,662 S	8/2016	Ierulli et al.
6,357,436 B1	3/2002	Kreitzer et al.	9,414,957 B1	8/2016	Fischell
6,375,667 B1	4/2002	Ruch	9,427,945 B2	8/2016	Gray et al.
6,453,901 B1	9/2002	Ierulli	D779,666 S	2/2017	Ierulli et al.
6,470,883 B1	10/2002	Beaudry	D779,667 S	2/2017	Ierulli et al.
6,550,474 B1	4/2003	Anderson et al.	9,566,183 B1	2/2017	Fischell
6,694,970 B2	2/2004	Spinelli et al.	D788,298 S	5/2017	Guyuron et al.
6,769,428 B2	8/2004	Cronk et al.	9,642,995 B2	5/2017	Fenton et al.
6,769,429 B1	8/2004	Benetti	D789,531 S	6/2017	Ierulli
D513,323 S *	12/2005	Mueller ..... D24/189	D790,058 S	6/2017	Ierulli et al.
7,067,710 B1	6/2006	Beaudry	D790,695 S	6/2017	Ierulli
7,114,495 B2	10/2006	Lockwood, Jr.	D791,312 S	7/2017	Peck
D639,762 S	6/2011	Brogden et al.	D791,314 S	7/2017	Ierulli
D644,325 S	8/2011	Brunner et al.	9,730,827 B2	8/2017	Ierulli
D644,324 S	10/2011	Brunner et al.	9,730,828 B2	8/2017	Ierulli
8,047,201 B2	11/2011	Guyuron et al.	9,775,738 B2	10/2017	Andre
8,062,329 B2	11/2011	Ierulli	9,844,456 B2	12/2017	Ierulli
D651,710 S	1/2012	Brogden et al.	D812,749 S *	3/2018	Ierulli ..... D24/135
8,115,049 B2	2/2012	Beaudry	D813,387 S *	3/2018	Ierulli ..... D24/135
D659,245 S	5/2012	Ierulli	2008/0058858 A1	3/2008	Smith
8,188,330 B2	5/2012	Beaudry	2008/0097517 A1	4/2008	Holmes et al.
D662,203 S	6/2012	Smith	2009/0125052 A1	5/2009	Pinna et al.
D667,543 S	9/2012	Ierulli	2009/0234383 A1	9/2009	Ierulli
D671,643 S	11/2012	Ierulli	2010/0210988 A1	8/2010	Dallison
D672,461 S	12/2012	Brogden et al.	2010/0298861 A1	11/2010	Fenton
D672,872 S	12/2012	Brunner et al.	2011/0000483 A1	1/2011	Matthias et al.
D673,270 S	12/2012	Brunner et al.	2011/0054517 A1	3/2011	Holmes et al.
8,342,173 B2	1/2013	Lockwood, Jr.	2011/0166594 A1	7/2011	Eull
D683,035 S *	5/2013	Dunshee ..... D24/189	2011/0224717 A1	9/2011	Lockwood
8,444,670 B2	5/2013	Ierulli	2012/0004683 A1	1/2012	Gray
8,584,671 B2	11/2013	Ierulli	2012/0022582 A1	1/2012	Guyuron
8,616,198 B2	12/2013	Guyuron et al.	2012/0067345 A1	3/2012	Shilon
8,617,199 B2	12/2013	Eull et al.	2012/0172923 A1	7/2012	Fenton
8,641,852 B2	2/2014	Ierulli	2012/0209313 A1	8/2012	Ierulli
D701,957 S *	4/2014	Brunner ..... D24/135	2012/0232455 A1	9/2012	Beaudry
D703,318 S *	4/2014	Brunner ..... D24/135	2013/0104882 A1	5/2013	Ierulli
D707,814 S	6/2014	Ierulli	2013/0118488 A1	5/2013	Ledogar
D707,815 S	6/2014	Ierulli	2014/0194922 A1	7/2014	Ierulli
8,834,511 B2	9/2014	Holmes et al.	2014/0148844 A1	10/2014	Andre
8,834,512 B1	9/2014	Brown et al.	2014/0296904 A1	10/2014	Andre
8,834,514 B2	9/2014	Smith	2014/0350596 A1	11/2014	Smith
8,858,587 B2	10/2014	Ierulli	2015/0005812 A1	1/2015	Holmes
D720,849 S *	1/2015	Kyvik ..... D24/128	2015/0012035 A1	1/2015	Ierulli
D722,161 S	2/2015	Reyers	2015/0051636 A1	2/2015	Lockwood
D722,162 S	2/2015	Reyers	2015/0090398 A1	4/2015	Ierulli
D725,772 S	3/2015	Ierulli	2015/0090399 A1	4/2015	Ierulli
D725,773 S	3/2015	Ierulli	2015/0094757 A1	4/2015	Ierulli
9,095,422 B2	8/2015	Gray	2015/0094758 A1	4/2015	Ierulli
D738,496 S	9/2015	Peck	2015/0216709 A1	8/2015	Peck
D739,015 S	9/2015	Martin	2015/0230966 A1	8/2015	Ierulli
9,119,620 B2	9/2015	Peterson et al.	2015/0250637 A1	9/2015	Ierulli
D741,997 S	10/2015	Ierulli	2015/0290021 A1	10/2015	Gray
D741,998 S	10/2015	Martin	2015/0359654 A1	12/2015	Bentivegna et al.
D743,544 S	11/2015	Ierulli	2016/0008161 A1	1/2016	Ierulli et al.
D743,545 S	11/2015	Ierulli	2016/0278967 A1	9/2016	Ierulli
D743,565 S	11/2015	Engel et al.	2016/0278968 A1	9/2016	Ierulli
D745,147 S	12/2015	Ierulli	2016/0339619 A1	11/2016	Gray et al.
9,204,988 B1	12/2015	Fischell	2017/0112653 A9	4/2017	Ierulli
			2017/0143531 A9	5/2017	Ierulli
			2017/0151084 A9	6/2017	Ierulli
			2018/0021163 A9	1/2018	Ierulli

\* cited by examiner



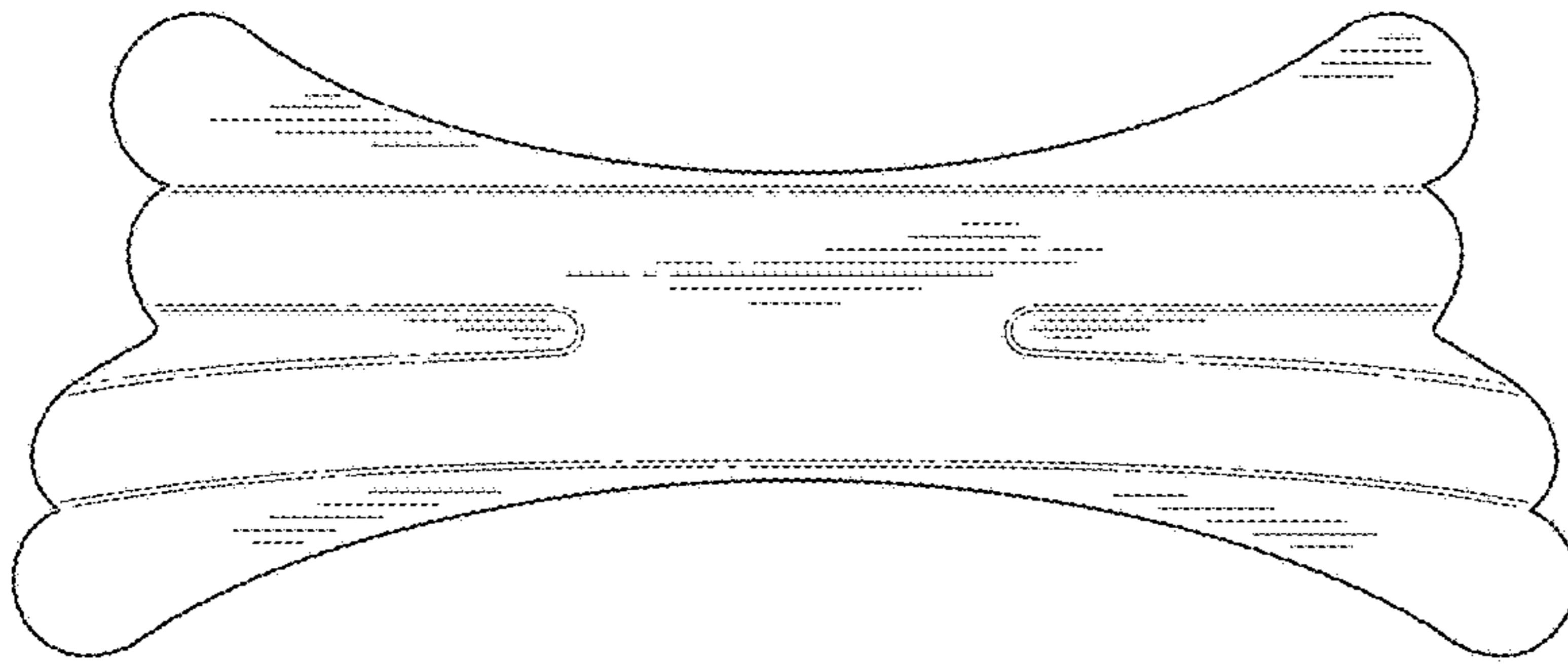


FIG. 1

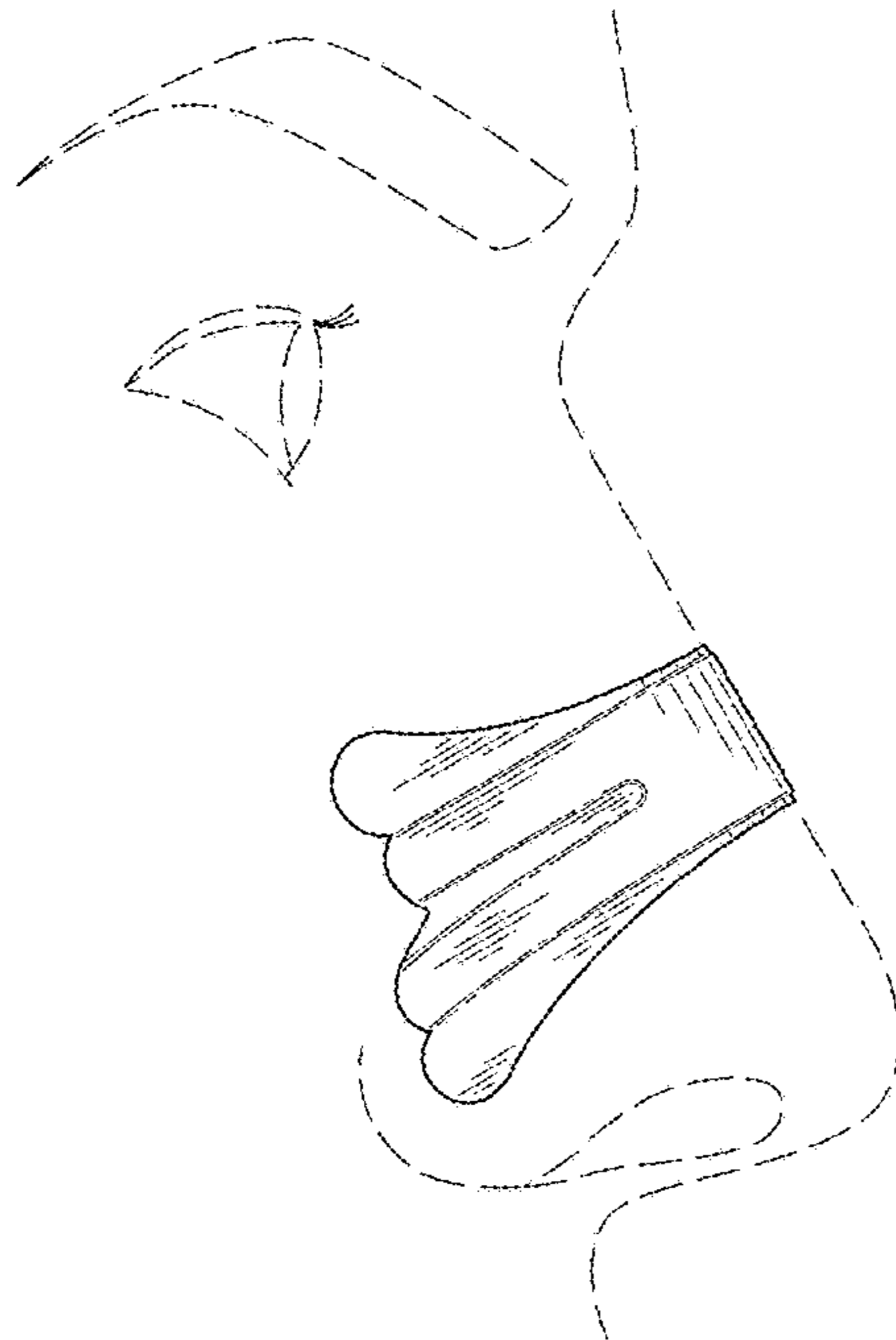


FIG. 2

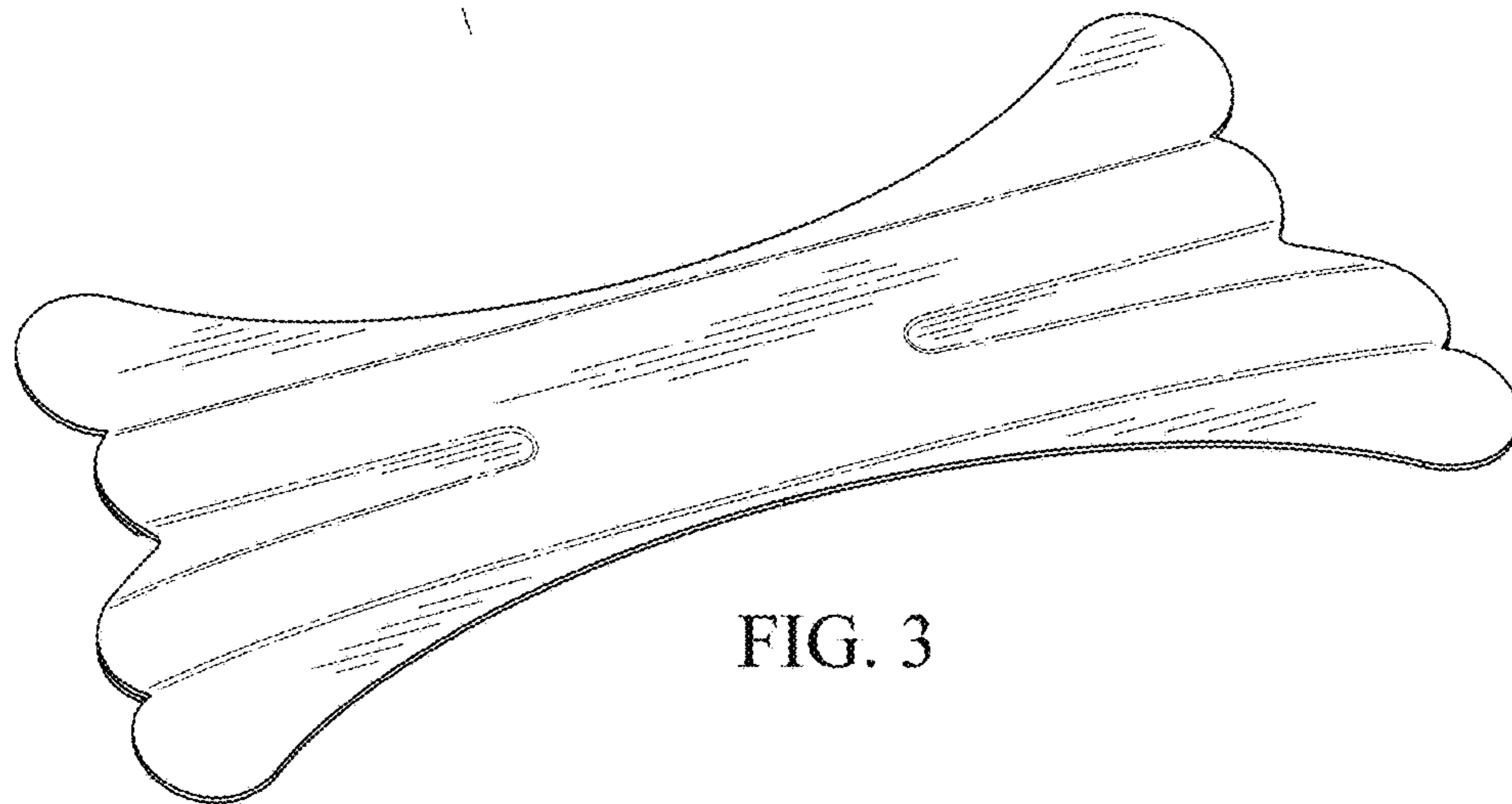


FIG. 3

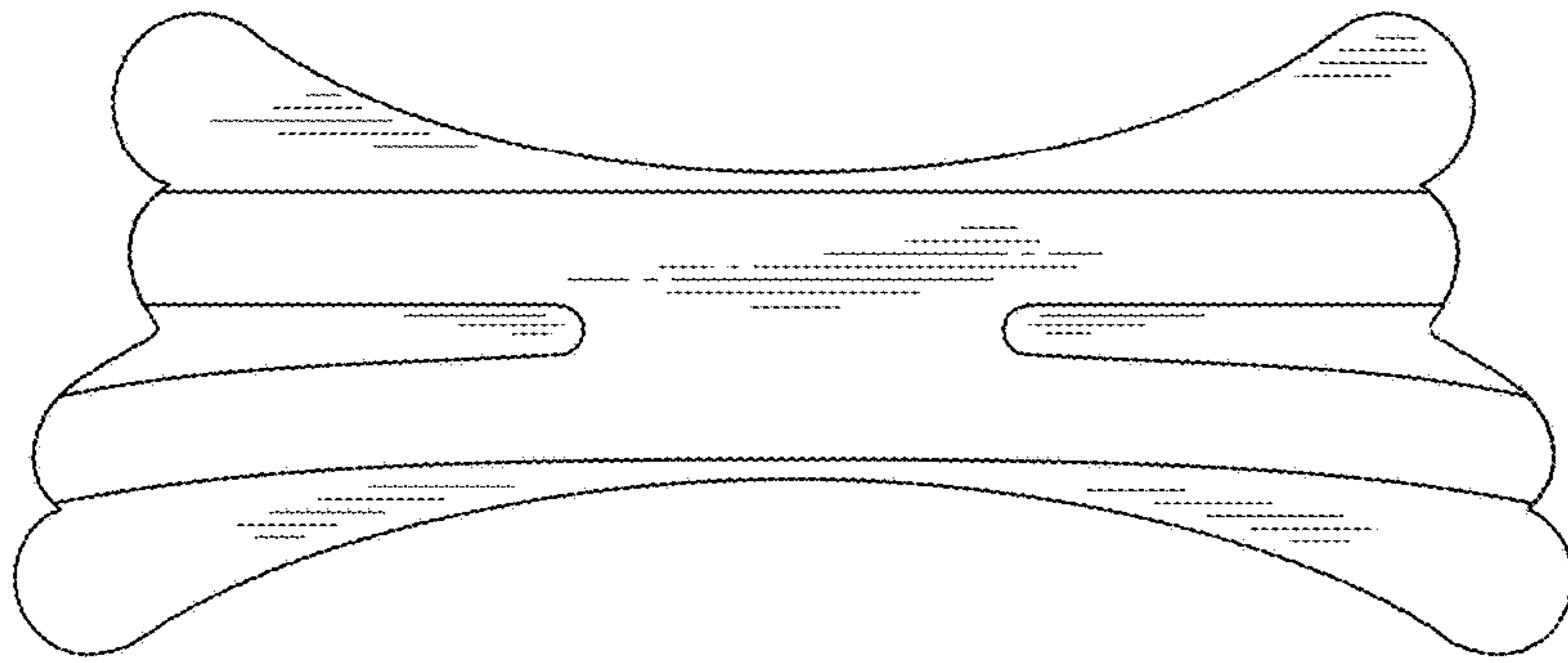


FIG. 4

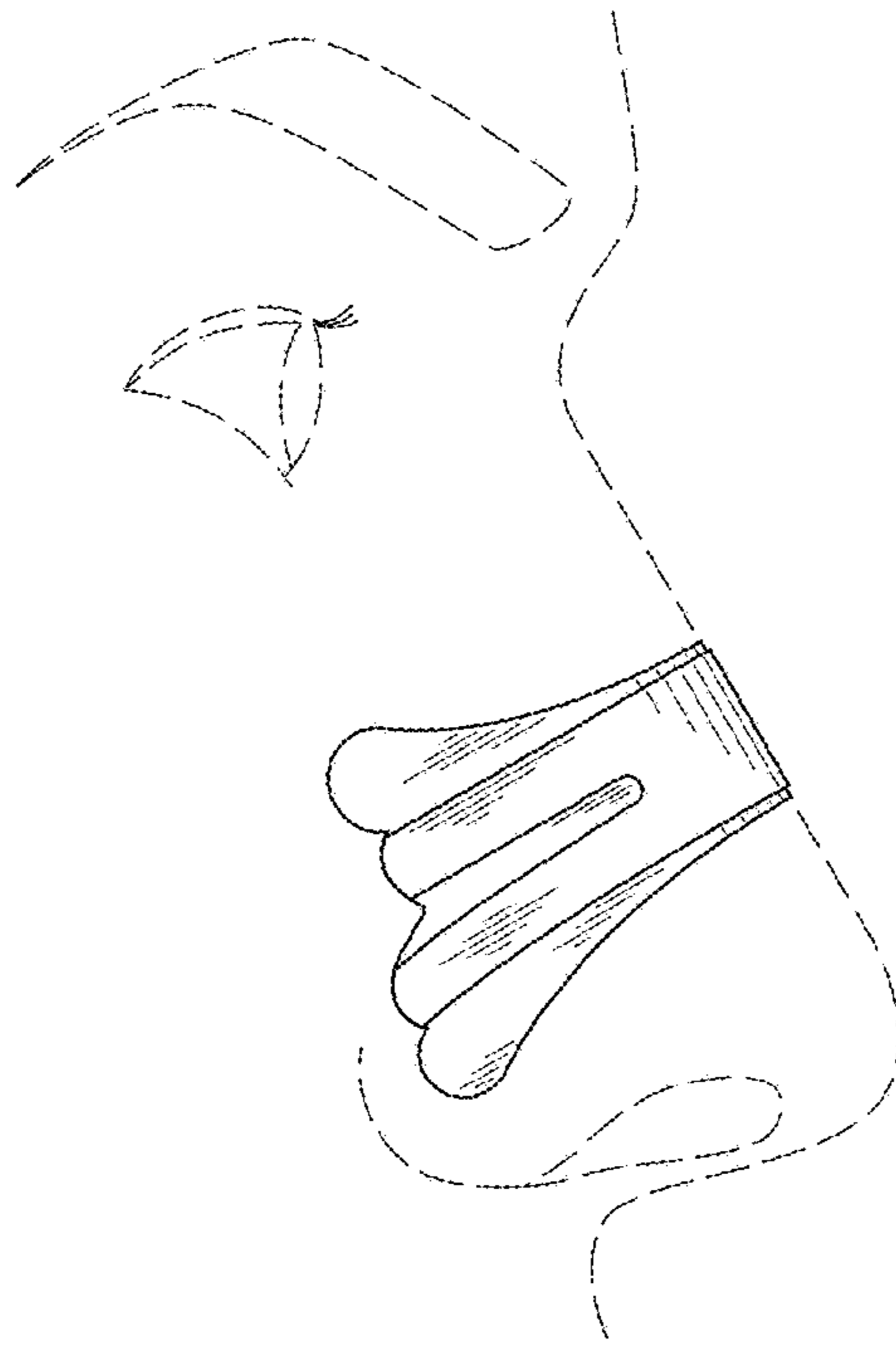


FIG. 5

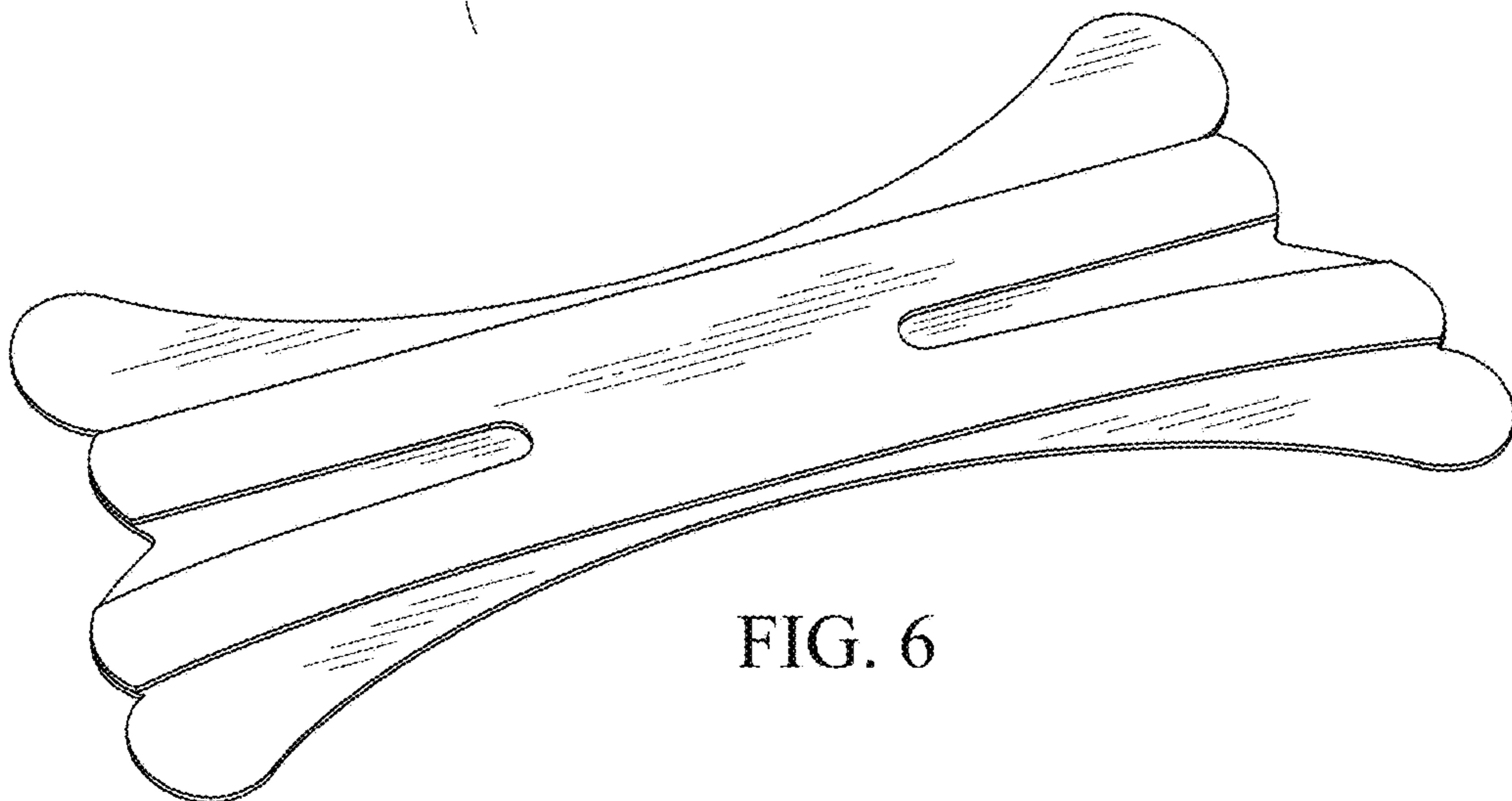


FIG. 6