



US00D857883S

(12) **United States Design Patent** (10) **Patent No.:** **US D857,883 S**  
**Knight** (45) **Date of Patent:** **\*\* Aug. 27, 2019**

(54) **RECEPTACLE**

FOREIGN PATENT DOCUMENTS

(71) Applicant: **Gen-Probe Incorporated**, San Diego, CA (US)

CN 101443123 A 5/2009  
EP 0 488 769 A2 6/1992

(Continued)

(72) Inventor: **Byron J. Knight**, San Diego, CA (US)

(73) Assignee: **Gen-Probe Incorporated**, San Diego, CA (US)

OTHER PUBLICATIONS

PCT International Search Report and Written Opinion dated Oct. 15, 2014 issued in International Application No. PCT/US2014/026789.

(\*\*) Term: **15 Years**

*Primary Examiner* — David G Muller

(21) Appl. No.: **29/670,399**

(74) *Attorney, Agent, or Firm* — Rothwell, Figg, Ernst & Manbeck, P.C.; Charles B. Cappellari

(22) Filed: **Nov. 15, 2018**

**Related U.S. Application Data**

(63) Continuation of application No. 16/127,837, filed on Sep. 11, 2018, which is a continuation of application No. 14/992,663, filed on Jan. 11, 2016, now Pat. No. 10,159,981, which is a continuation of application No. 14/210,163, filed on Mar. 13, 2014, now Pat. No. 9,248,449.

(57) **CLAIM**

The ornamental design for a receptacle, as shown.

(51) **LOC (12) Cl.** ..... **24-02**

(52) **U.S. Cl.**  
USPC ..... **D24/121**

(58) **Field of Classification Search**  
USPC ..... D24/121, 123, 224, 226; 604/317-325  
CPC ..... B65D 41/04; B65D 2251/023; B65D 41/0485; B65D 41/3428  
See application file for complete search history.

**DESCRIPTION**

FIG. 1 is a side elevational view of the receptacle showing the design with a middle, annular flange having parallel top and bottom surfaces (the design is symmetrical about a center, longitudinal axis thereof, and thus, front, rear, left, and right side elevational views are identical); FIG. 2 shows a side cross-sectional view thereof along the line 2-2 in FIG. 1; FIG. 3 shows a top view thereof; FIG. 4 shows a top perspective view thereof; FIG. 5 is a side elevational view of the receptacle showing the design with a middle, annular flange having a bottom surface that is sloped relative to the top surface; FIG. 6 shows a side cross-sectional view thereof along the line 6-6 in FIG. 5; FIG. 7 shows a top view of the receptacle of FIG. 5; and, FIG. 8 shows a top perspective view of the receptacle of FIG. 5.

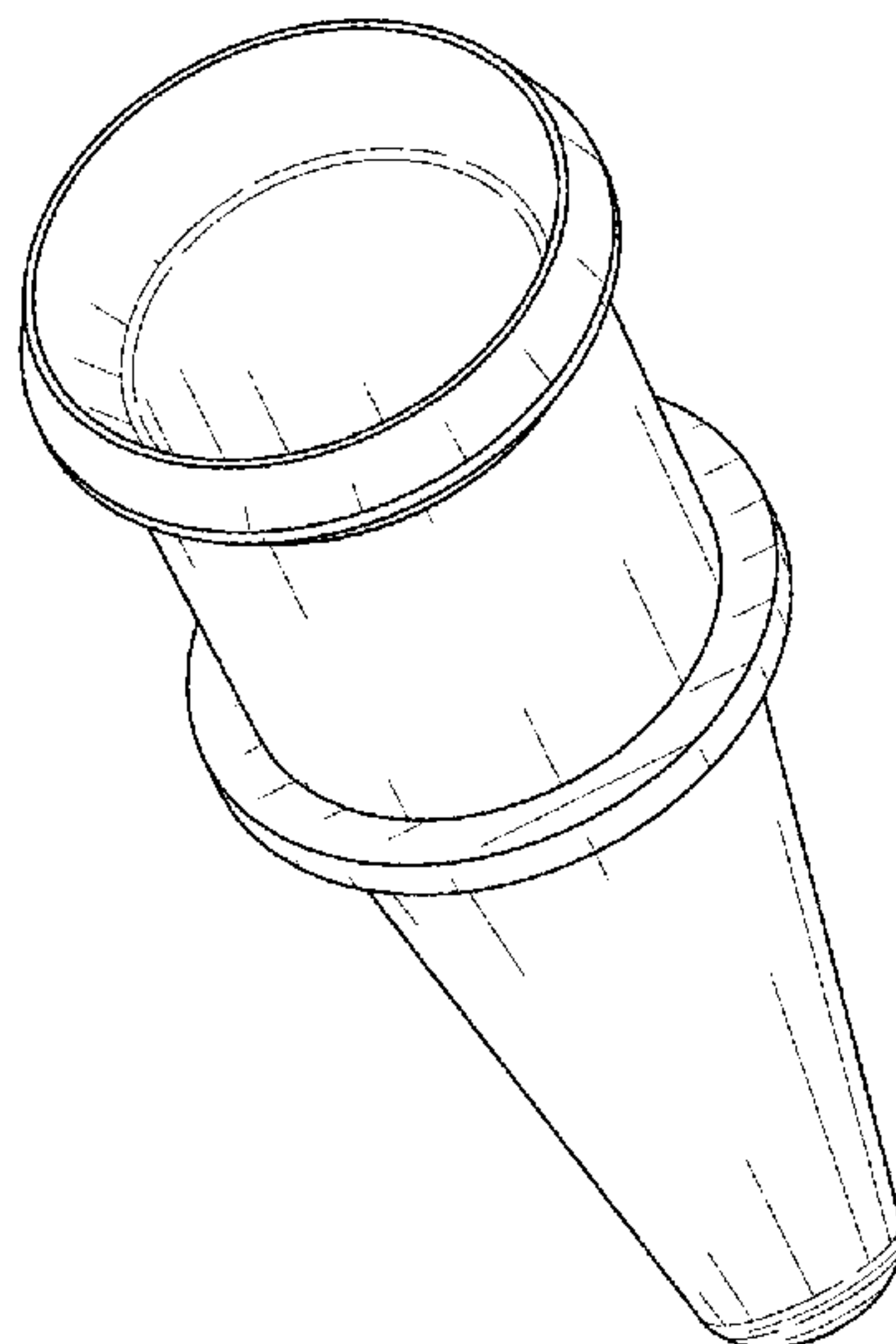
(56) **References Cited**

U.S. PATENT DOCUMENTS

3,653,528 A 4/1972 Wimmer  
4,338,936 A \* 7/1982 Nelson ..... A61F 9/0008  
604/295  
5,119,560 A 6/1992 Noble  
5,588,949 A \* 12/1996 Taylor ..... A61B 1/00193  
600/101

(Continued)

**1 Claim, 4 Drawing Sheets**



(56)

References Cited

U.S. PATENT DOCUMENTS

5,673,790 A \* 10/1997 Schramm ..... A61M 5/3216  
206/110  
5,785,925 A 7/1998 U'Ren  
5,846,489 A 12/1998 Bienhaus et al.  
5,863,791 A 1/1999 Baldszun et al.  
5,897,008 A 4/1999 Hansen  
D439,673 S \* 3/2001 Brophy ..... D24/226  
6,216,340 B1 4/2001 Fassbind et al.  
6,224,573 B1 \* 5/2001 Yeager ..... A61F 9/0008  
604/181  
6,312,886 B1 11/2001 Lee et al.  
6,403,037 B1 6/2002 Chang et al.  
6,455,325 B1 9/2002 Tajima  
D511,214 S 11/2005 Sasano et al.  
D583,058 S 12/2008 Short  
D583,481 S \* 12/2008 Yamamoto ..... D24/224  
7,550,291 B2 6/2009 Belz et al.  
7,691,332 B2 4/2010 Kacian et al.  
7,951,336 B2 5/2011 Tajima  
8,460,620 B2 6/2013 Bartfeld et al.  
D687,567 S \* 8/2013 Jungheim ..... D24/224  
D709,624 S \* 7/2014 Baum ..... D24/224  
D723,181 S \* 2/2015 Kawamura ..... D24/224

9,381,320 B2 \* 7/2016 Vincent ..... A61M 25/0097  
D762,873 S \* 8/2016 Baum ..... D24/224  
D805,636 S \* 12/2017 Pike ..... D24/130  
D833,030 S \* 11/2018 Sasano ..... D24/224  
2001/0049134 A1 12/2001 Lee et al.  
2002/0168299 A1 11/2002 Chang et al.  
2003/0162285 A1 8/2003 Tajima  
2005/0123457 A1 6/2005 Tajima et al.  
2006/0014272 A1 1/2006 Tajima et al.  
2006/0205064 A1 9/2006 Tajima  
2008/0072690 A1 3/2008 Kacian et al.  
2008/0268529 A1 10/2008 Furusato et al.  
2010/0224632 A1 9/2010 Aneas  
2010/0264155 A1 10/2010 Harder et al.  
2013/0318915 A1 12/2013 Iskarous et al.

FOREIGN PATENT DOCUMENTS

EP 1 508 527 A1 2/2005  
EP 2 030 687 A1 3/2009  
JP 2004-294428 A 10/2004  
JP 2005-003425 A 1/2005  
WO 2012/074738 A1 6/2012  
WO 2012/173919 A1 12/2012

\* cited by examiner

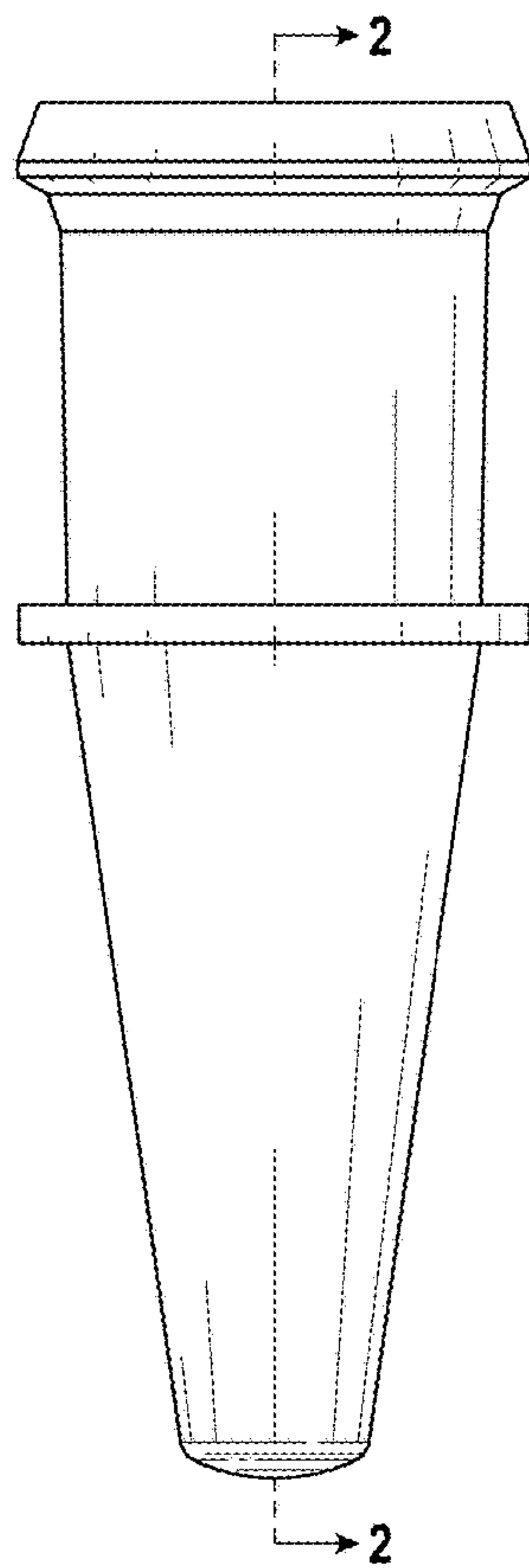


FIG. 1

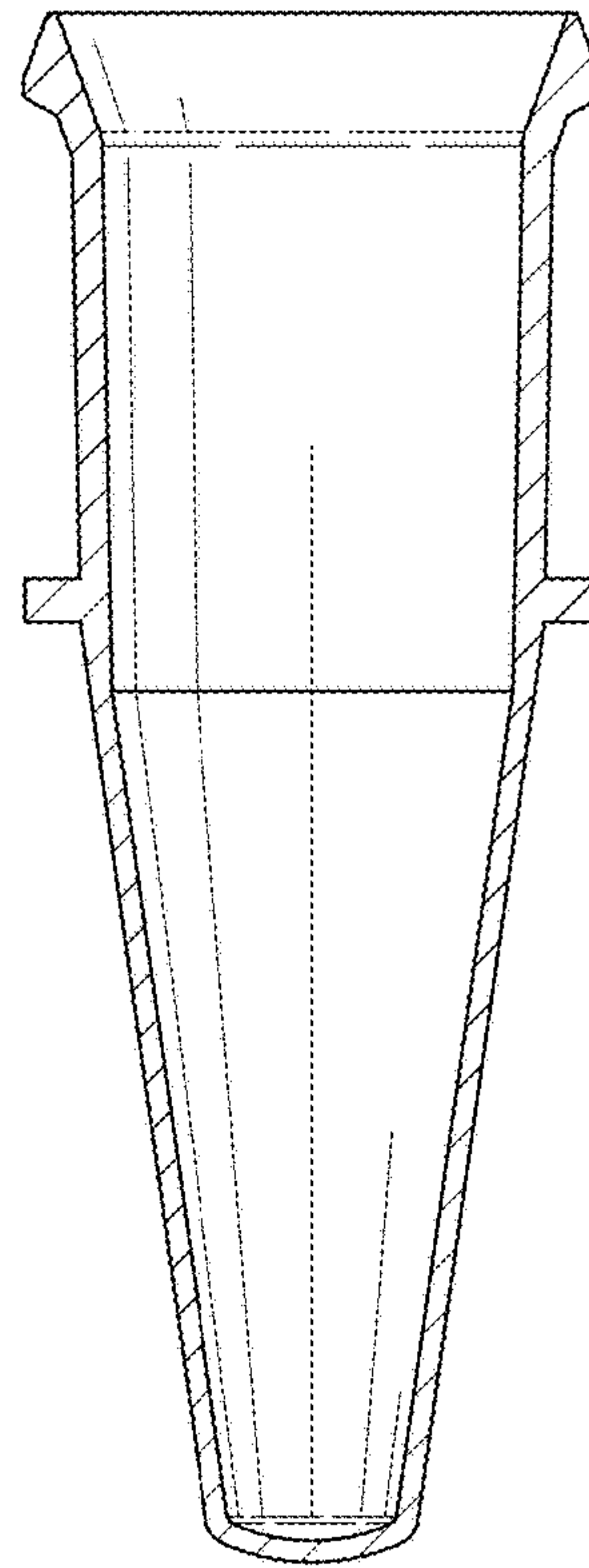


FIG. 2

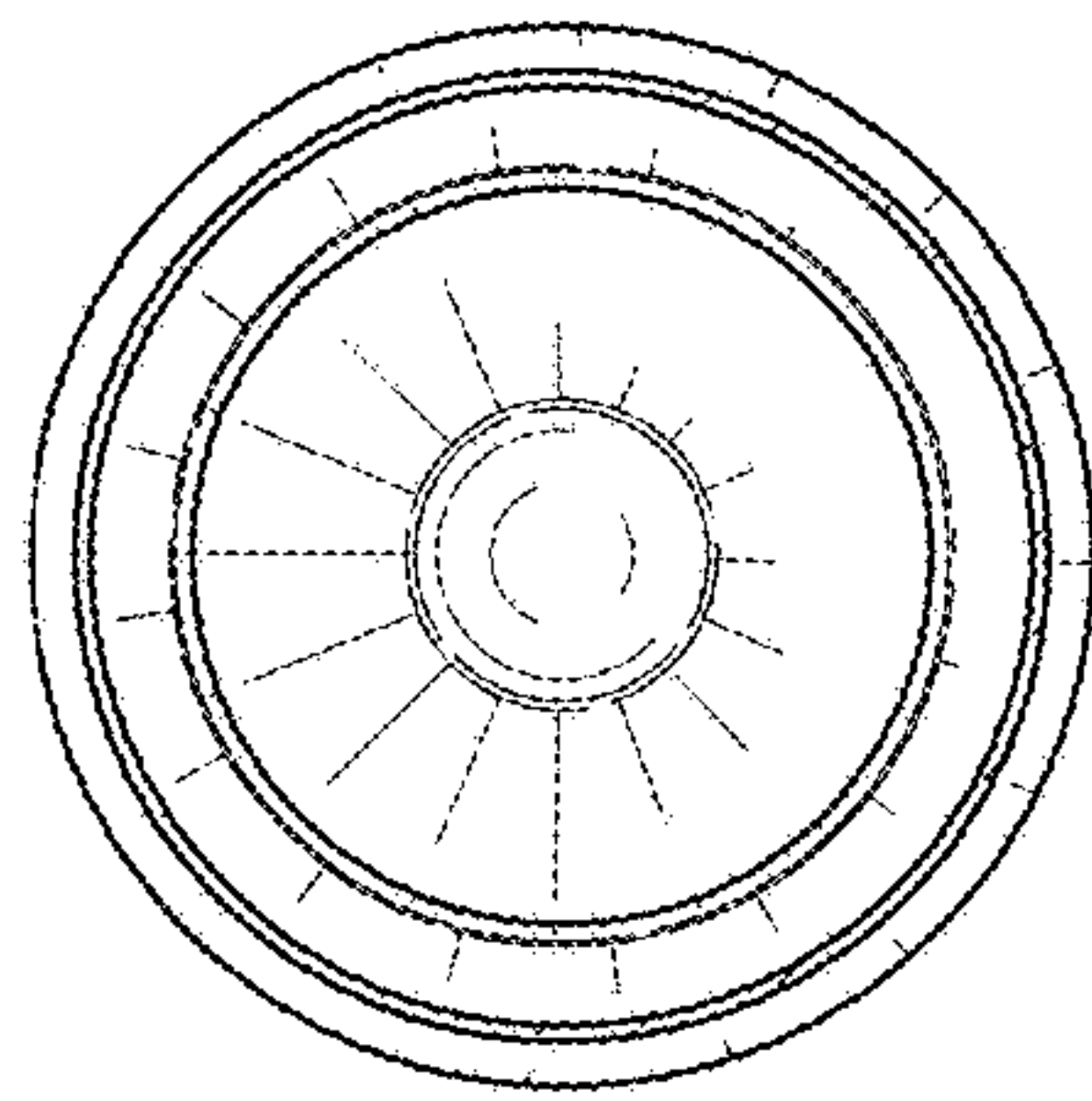


FIG. 3

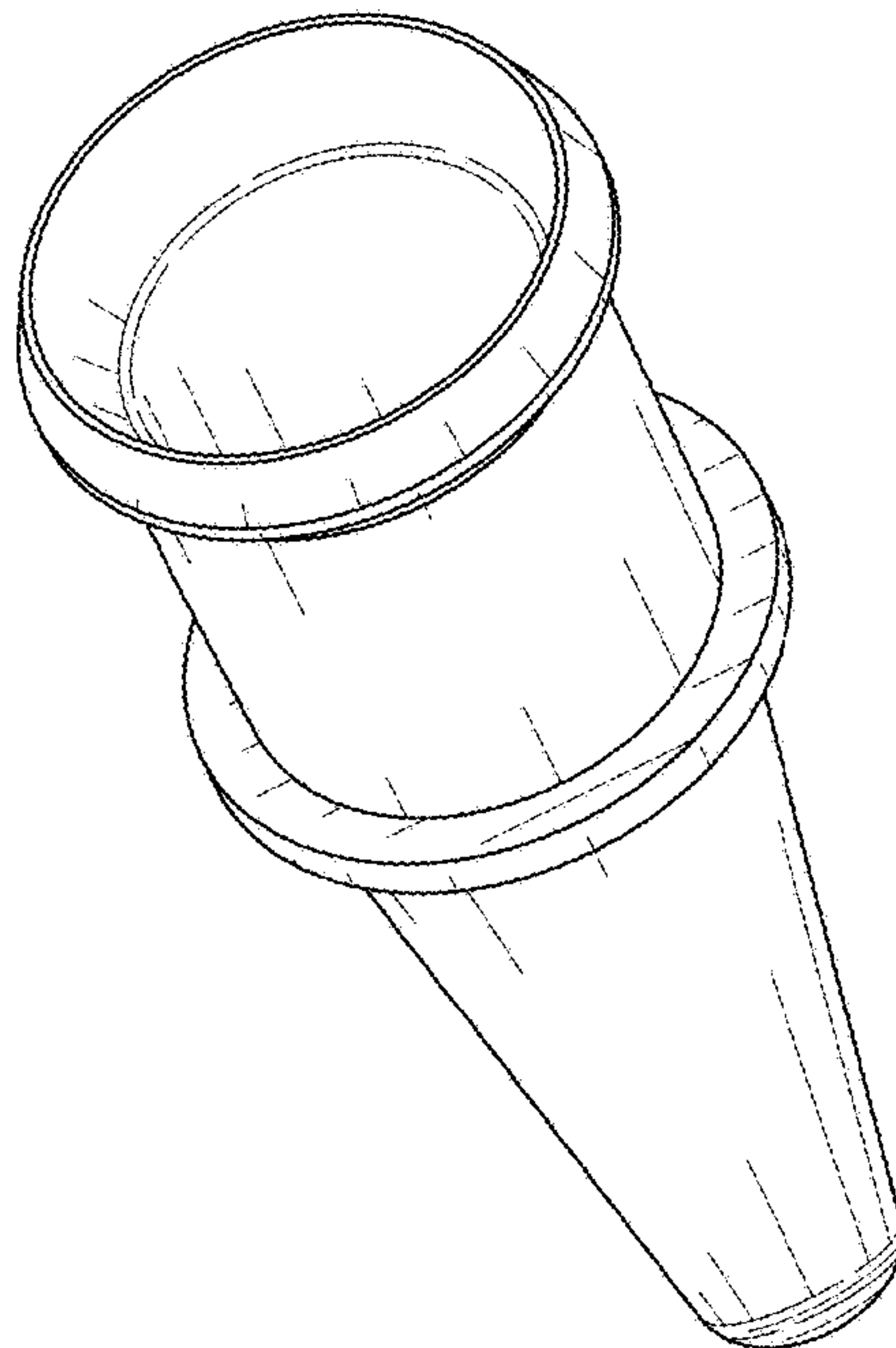


FIG. 4

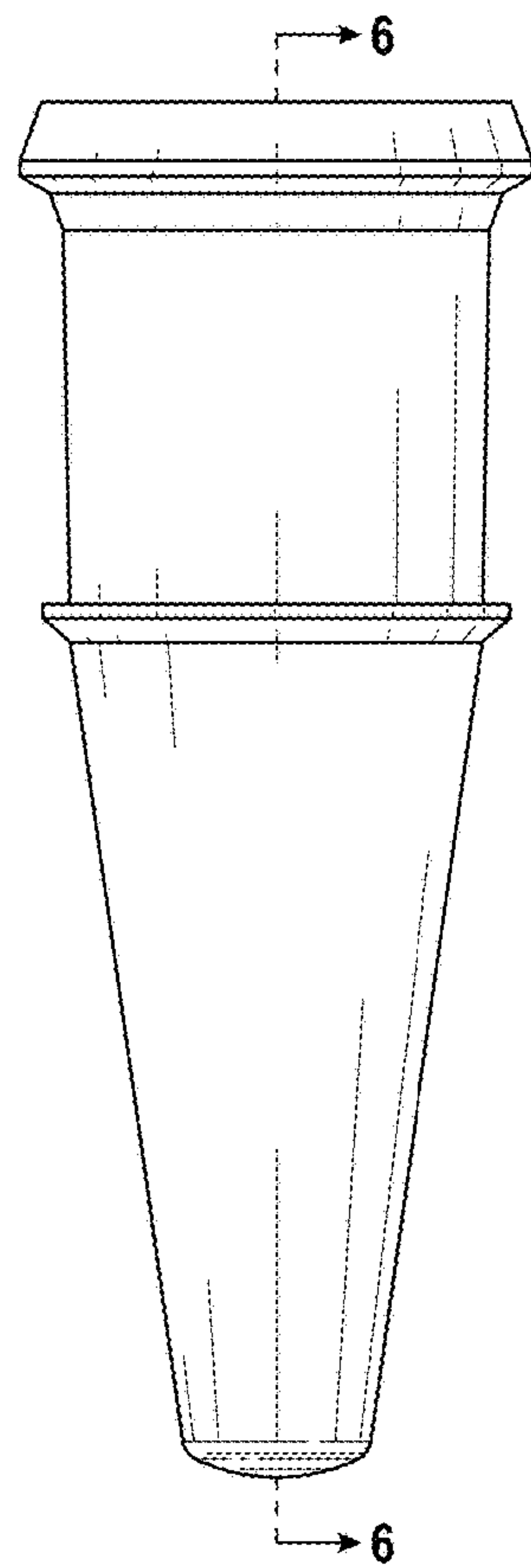


FIG. 5

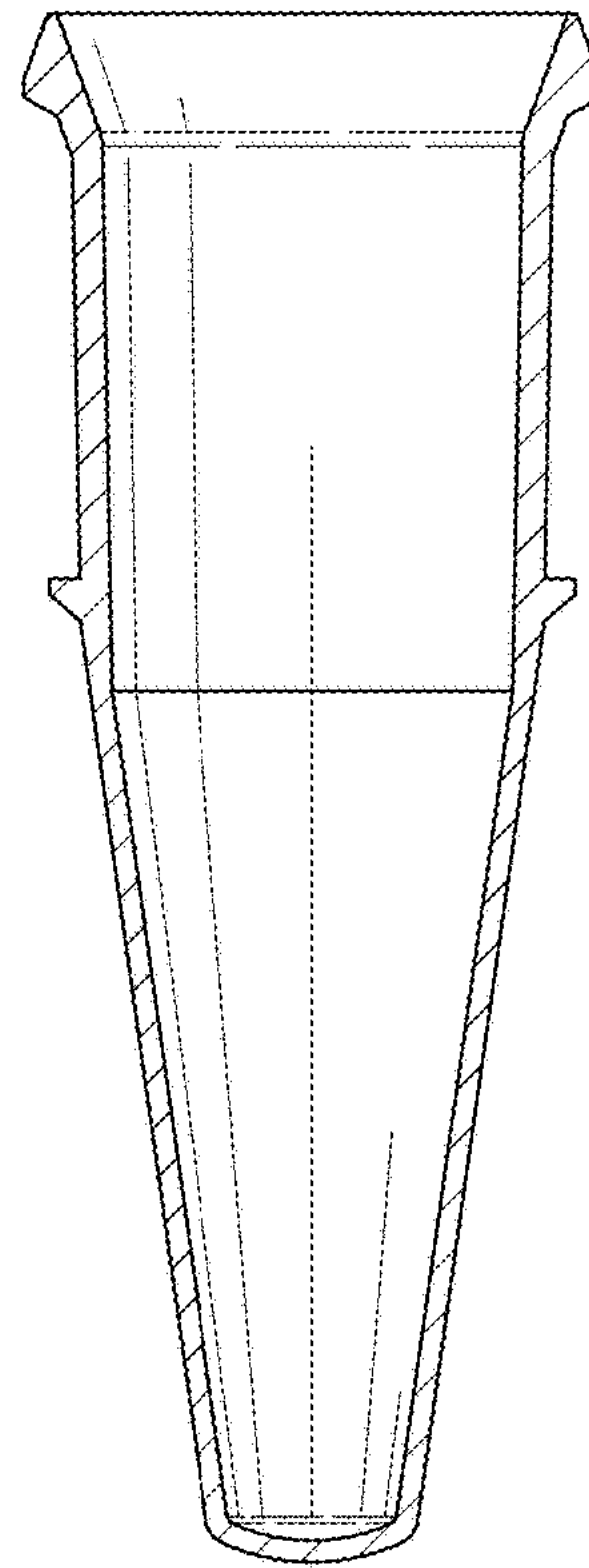


FIG. 6



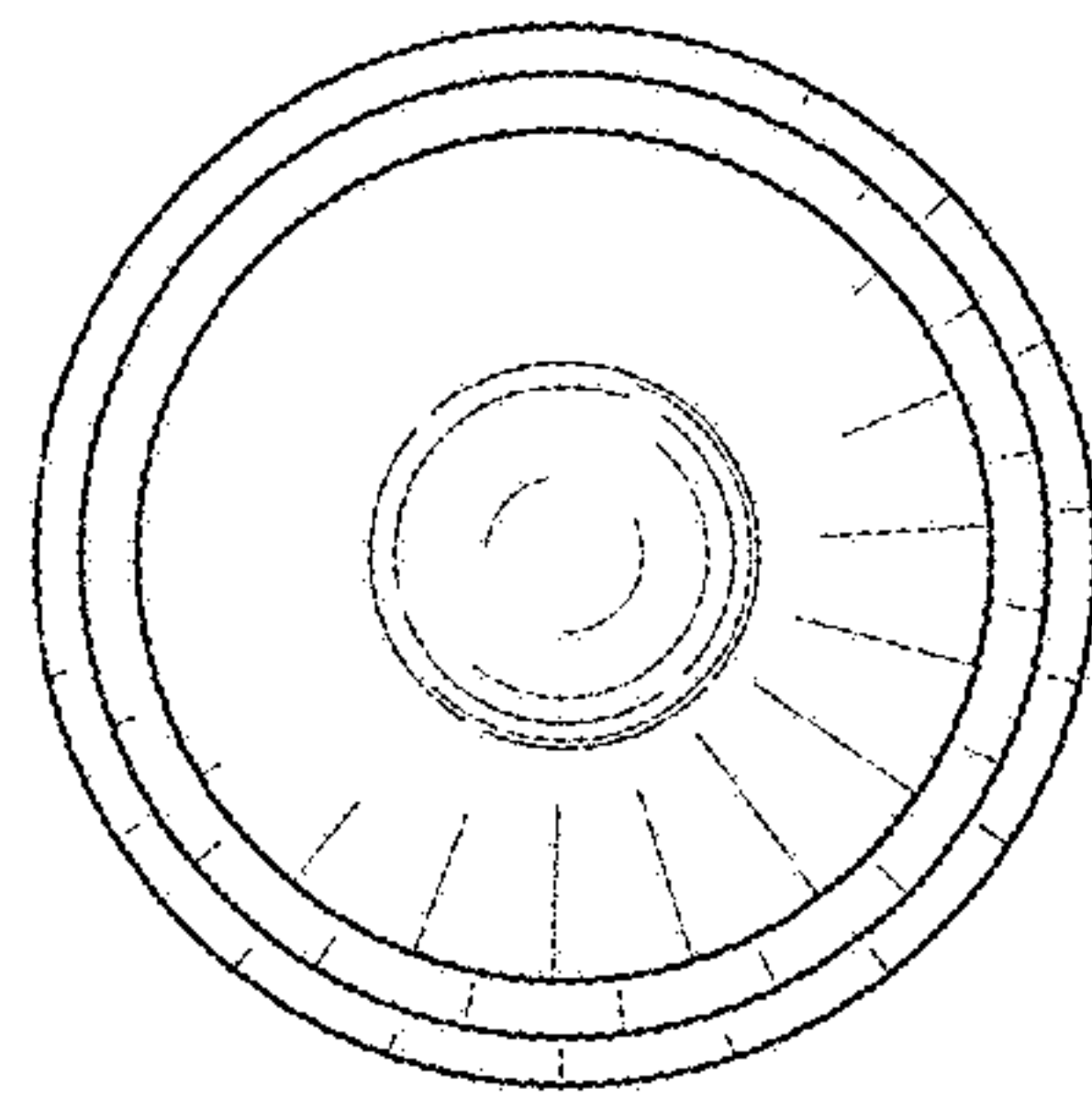


FIG. 7

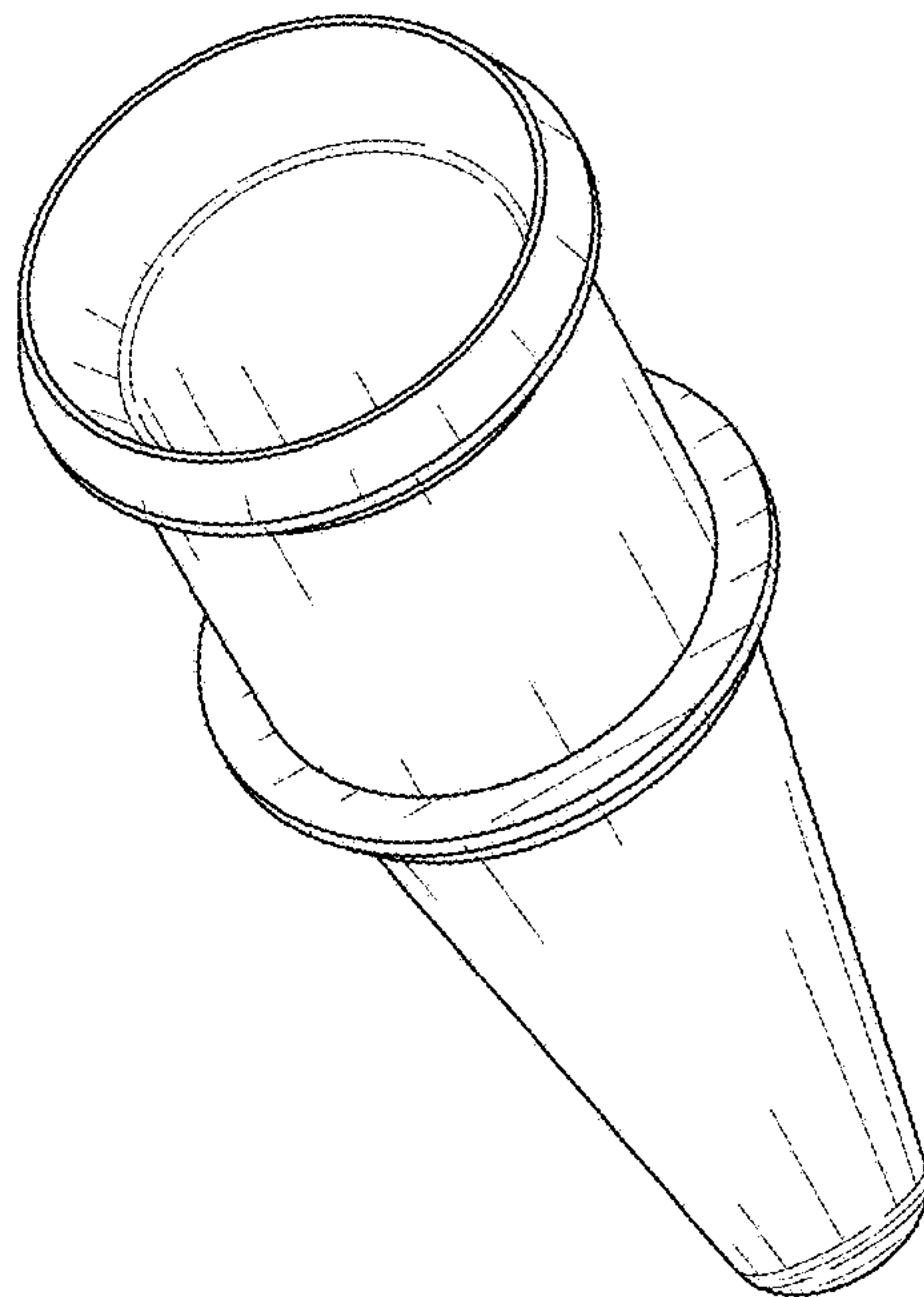


FIG. 8