



US00D857880S

(12) **United States Design Patent** (10) **Patent No.:** **US D857,880 S**
Lau et al. (45) **Date of Patent:** **** Aug. 27, 2019**

(54) **CONNECTOR FOR A BREATHING CIRCUIT**

2013/0167841 A1 7/2013 Sheffer et al.
2015/0021909 A1 1/2015 Gulliver et al.
2015/0167877 A1 6/2015 Kendrick

(71) Applicant: **Fisher & Paykel Healthcare Limited,**
Auckland (NZ)

FOREIGN PATENT DOCUMENTS

(72) Inventors: **Andrew Chi Lup Lau,** Auckland (NZ);
Richard Daniel Panara, Auckland
(NZ)

WO WO 2013/022356 2/2013
WO WO 2014/097145 A1 6/2014
WO WO 2014/129912 8/2014

(73) Assignee: **Fisher & Paykel Healthcare Limited,**
Auckland (NZ)

OTHER PUBLICATIONS

(**) Term: **15 Years**

International Search Report, PCT/IB2016/055258, dated Nov. 14,
2016, in 12 pages.
Fisher & Paykel Healthcare Limited, Junior Tube and Chamber Kit,
900PT531, 2012.
Photos of current commercial connector in 3 pages.

(21) Appl. No.: **29/630,546**

(22) Filed: **Dec. 21, 2017**

* cited by examiner

Related U.S. Application Data

(62) Division of application No. 29/567,700, filed on Jun.
10, 2016, now Pat. No. Des. 809,656.

Primary Examiner — Wan Laymon

Assistant Examiner — Mark Booker

(51) **LOC (12) Cl.** **24-02**

(74) *Attorney, Agent, or Firm* — Knobbe, Martens, Olson
& Bear, LLP

(52) **U.S. Cl.**
USPC **D24/110**

(57) **CLAIM**

(58) **Field of Classification Search**
USPC D24/213, 129, 110, 110.1, 110.4–110.6,
D24/164, 186; D21/411; 128/909,
128/200.24; 482/13; 600/438, 532
CPC A61B 5/087; A61B 5/097; A61B 5/0875;
G01N 33/4972; A63B 23/18; G01D
3/0365

The ornamental design for a connector for a breathing
circuit, as shown and described.

See application file for complete search history.

DESCRIPTION

FIG. 1 is a perspective view of a connector for a breathing
circuit.

FIG. 2 is another perspective view thereof.

FIG. 3 is a left side view thereof.

FIG. 4 is a right side view thereof.

FIG. 5 is a front view thereof.

FIG. 6 is a rear view thereof.

FIG. 7 is a top view thereof; and,

FIG. 8 is a bottom view thereof.

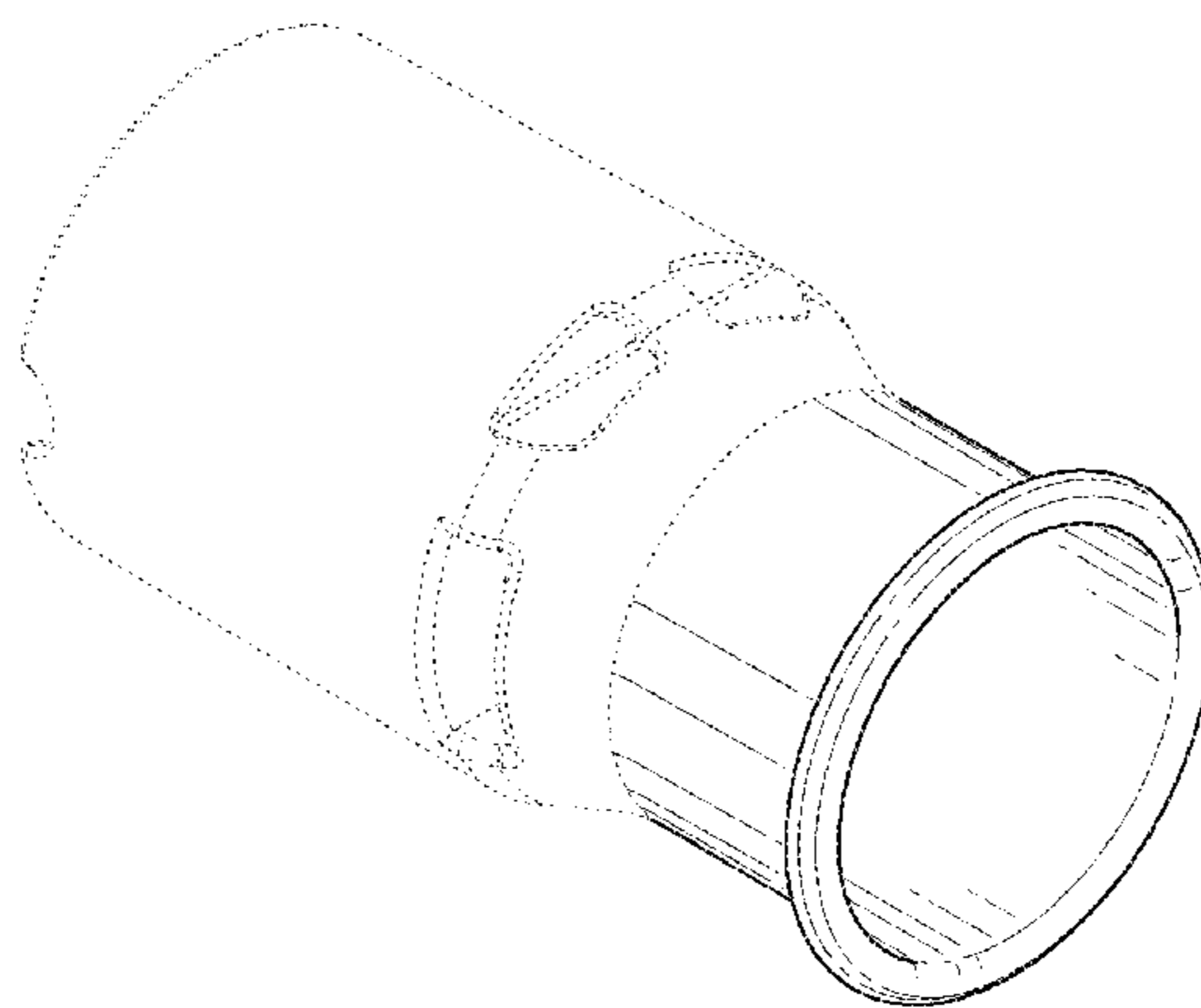
The broken lines in the drawings illustrate portions of the
connector for a breathing circuit which form no part of the
claimed design.

(56) **References Cited**

U.S. PATENT DOCUMENTS

D424,687 S * 5/2000 Hoenig D24/110
6,484,724 B1 11/2002 Sloan
7,458,615 B2 12/2008 White et al.
D757,933 S * 5/2016 Lev D24/129
D785,789 S * 5/2017 Turturro D24/129
D790,054 S * 6/2017 Prentice D24/110
2008/0264413 A1 10/2008 Doherty et al.

1 Claim, 8 Drawing Sheets



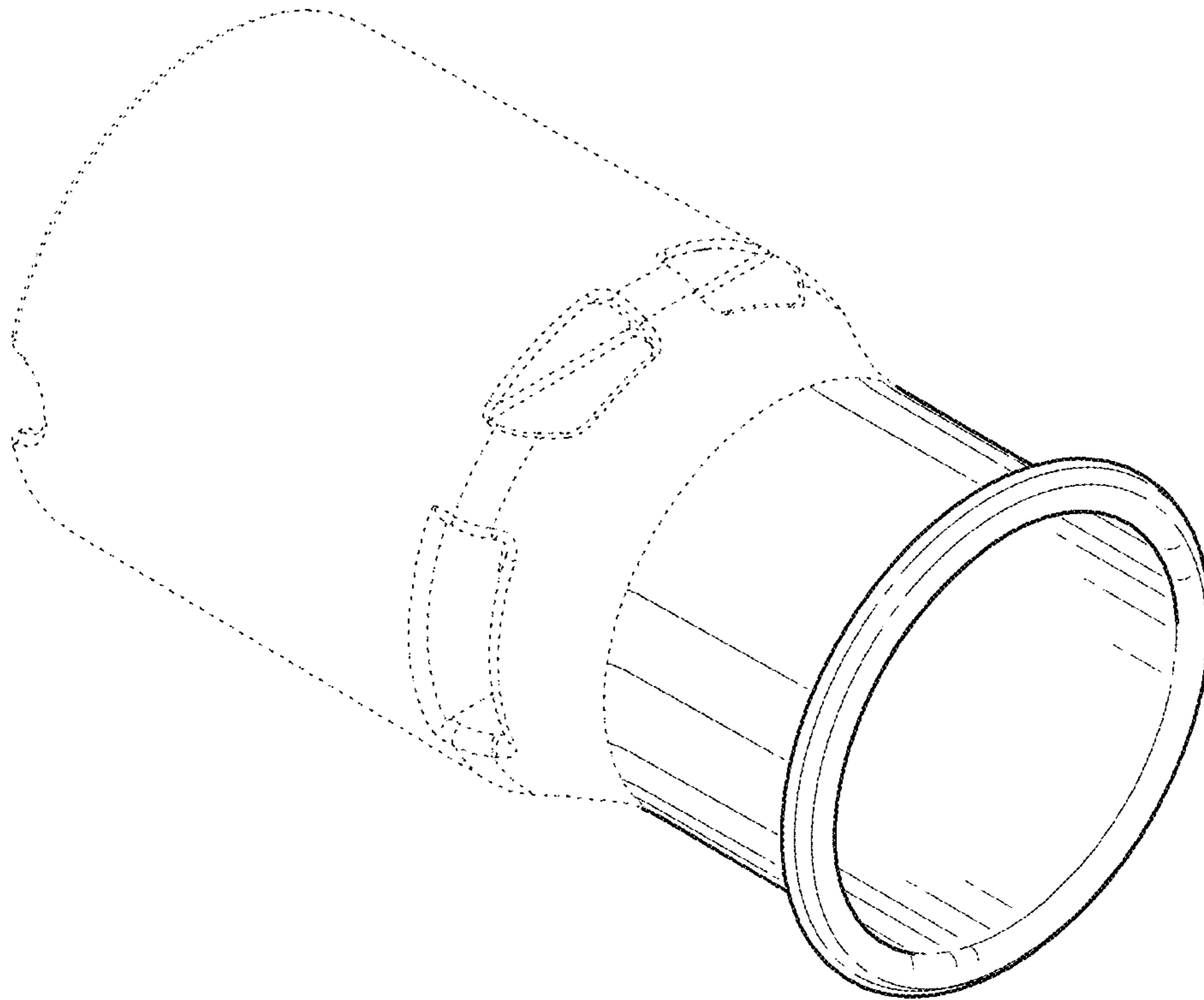


Figure 1

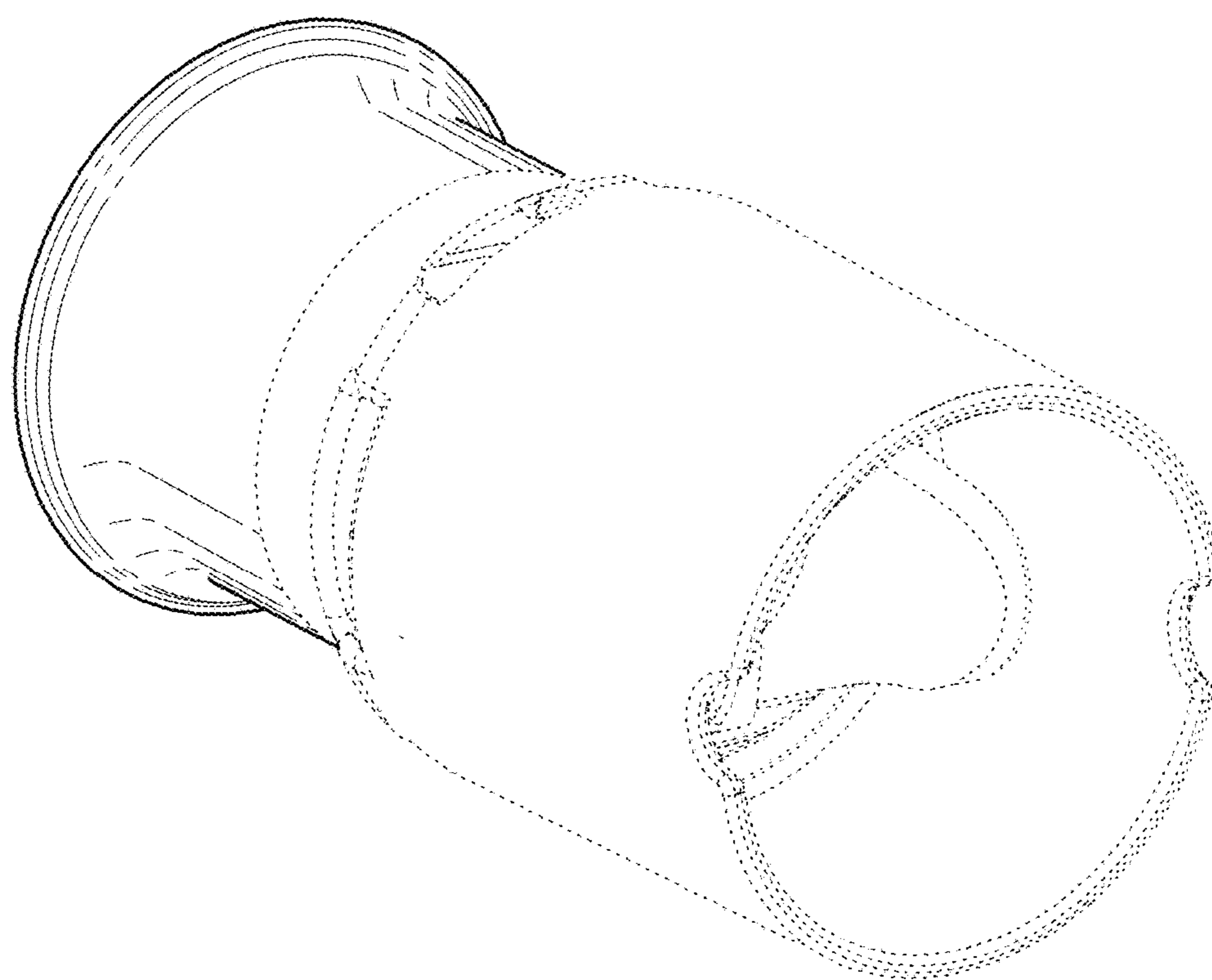


Figure 2

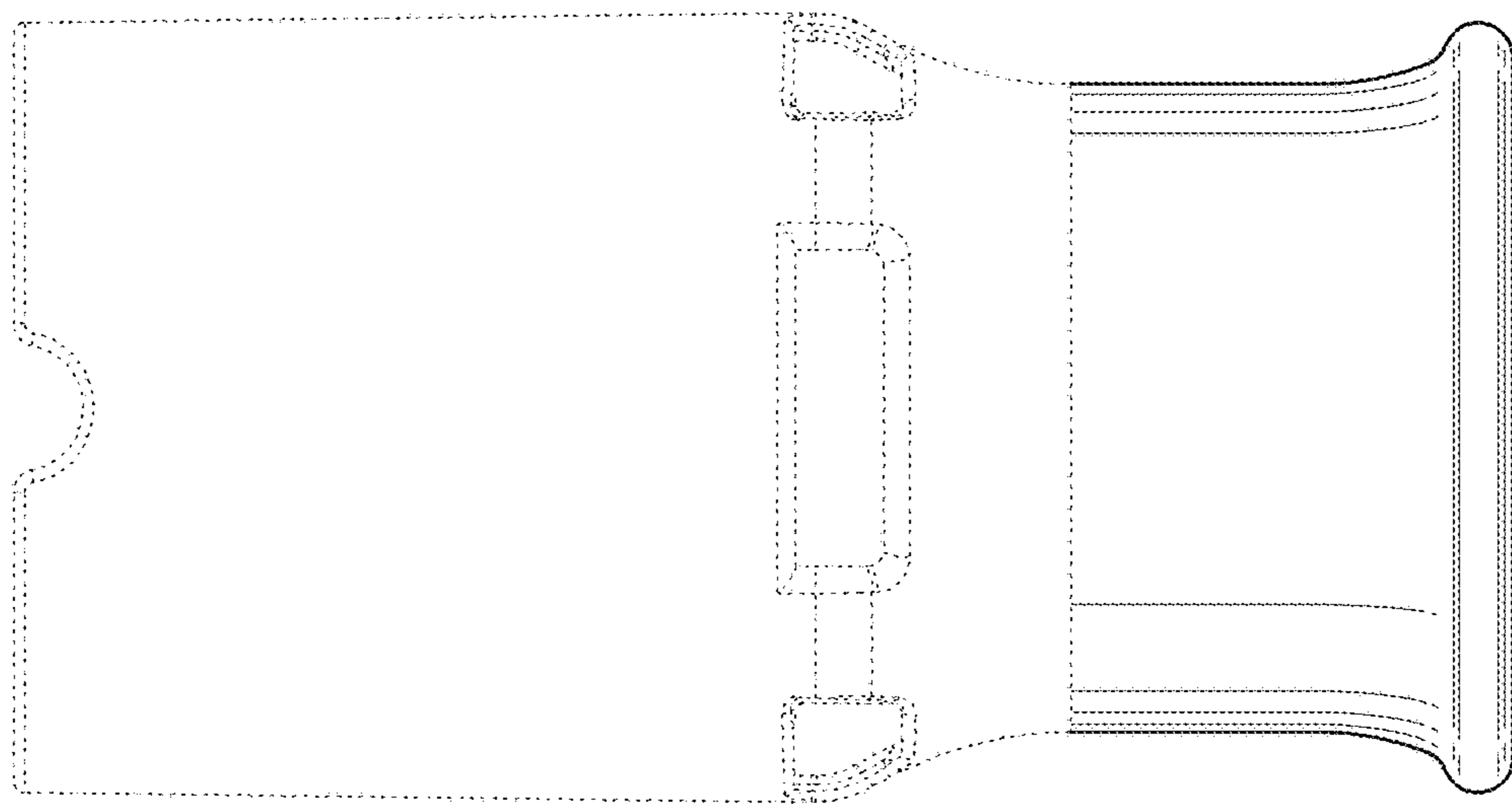


Figure 3

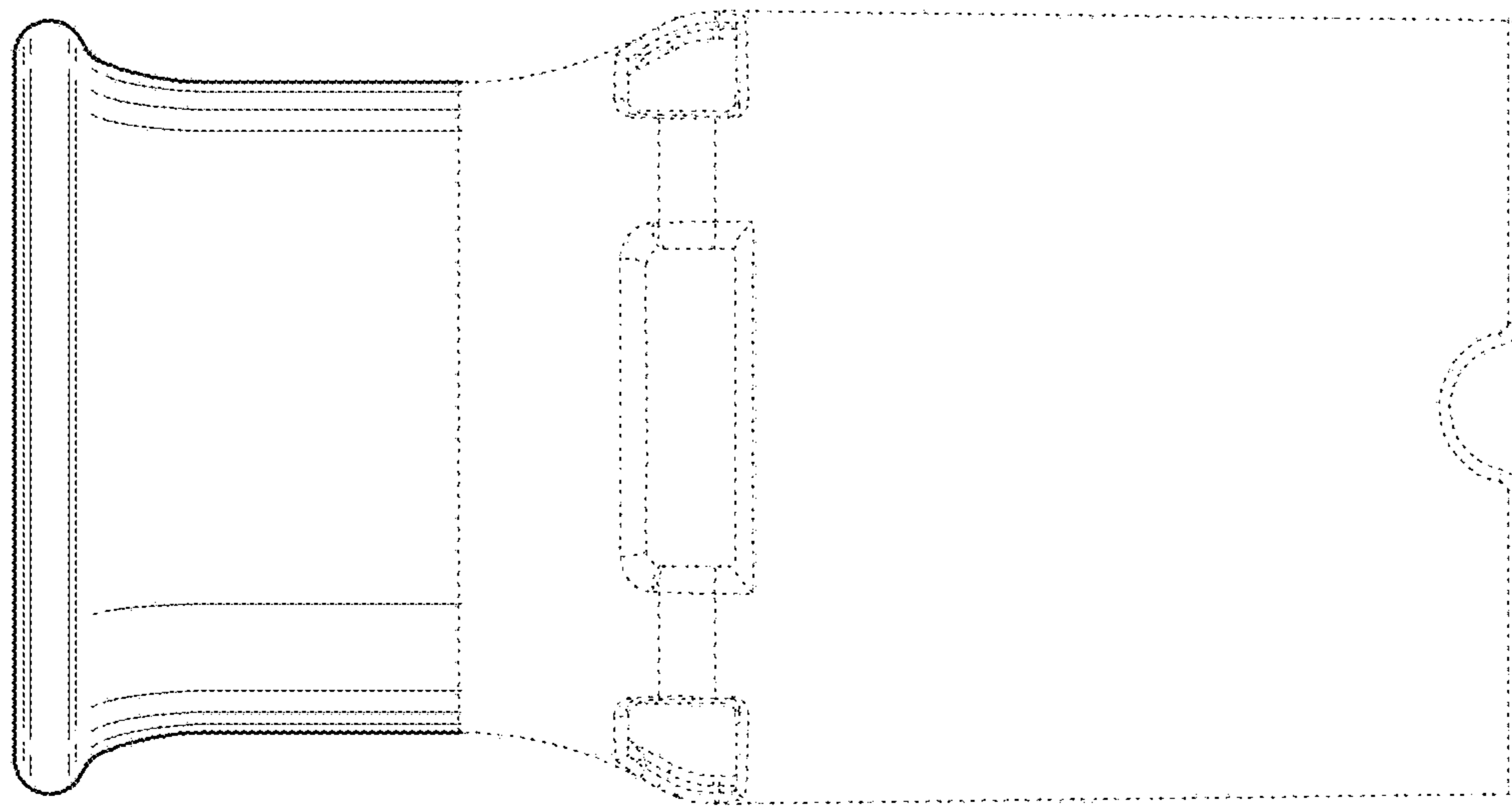


Figure 4

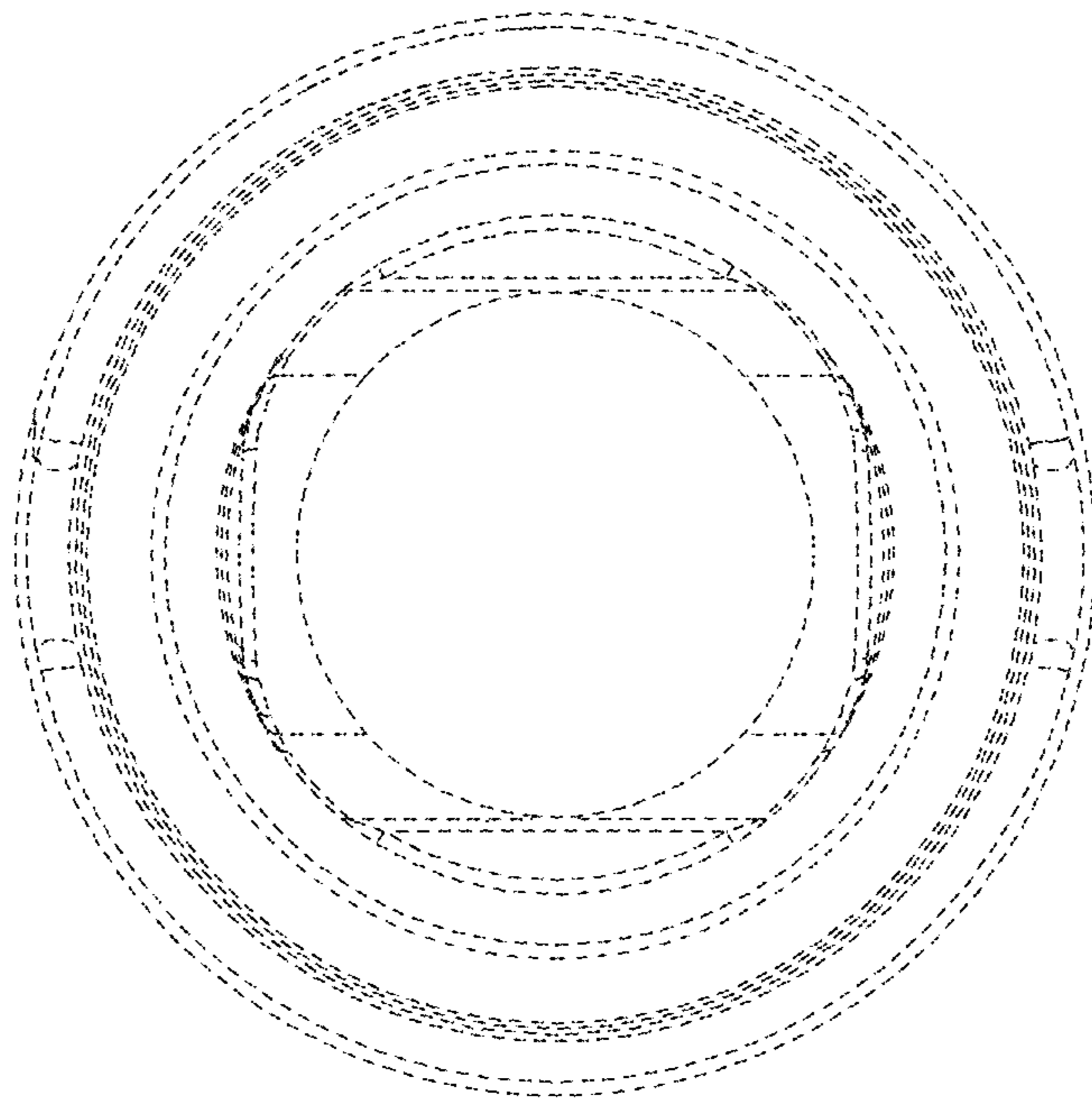


Figure 5

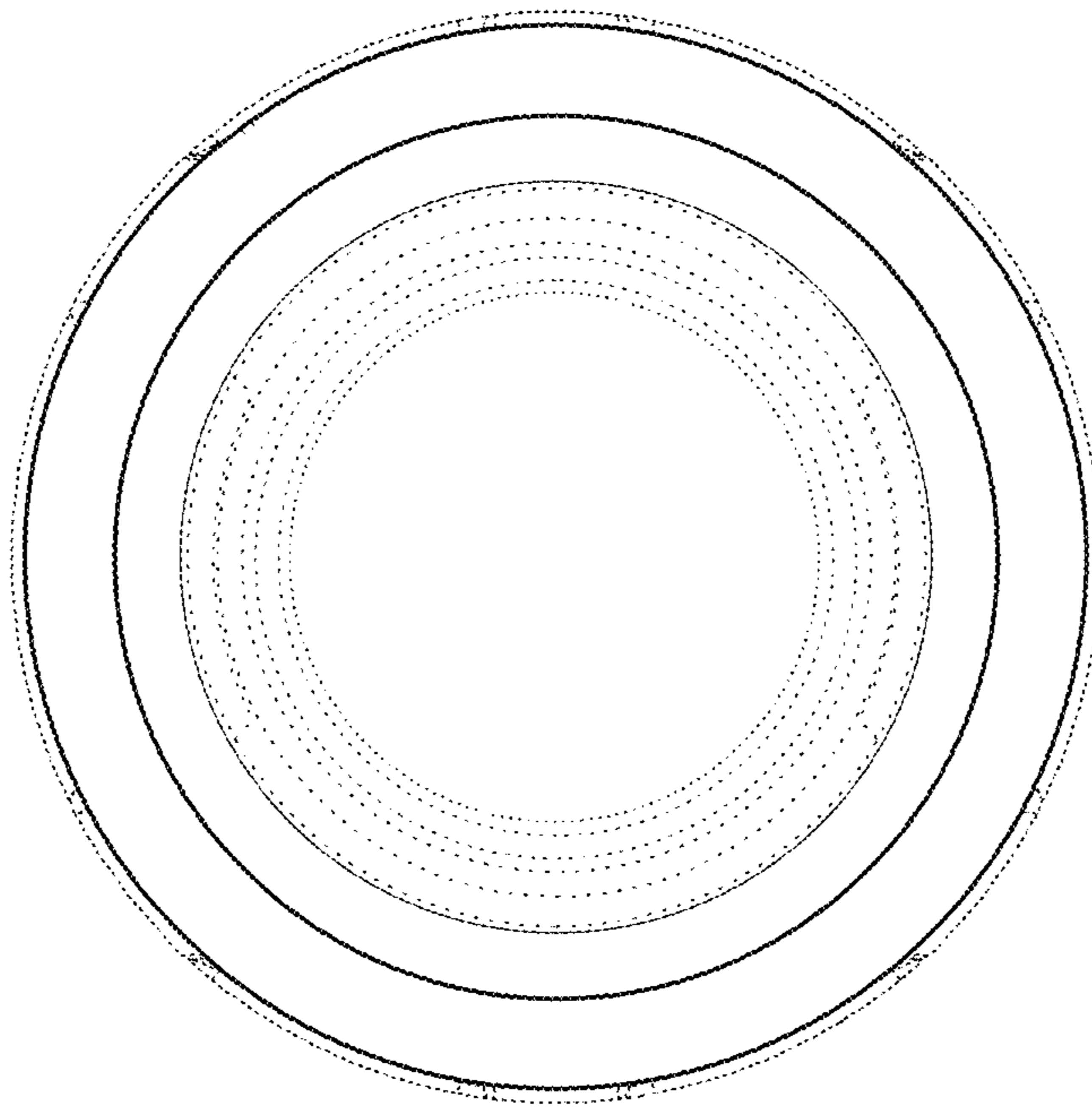


Figure 6

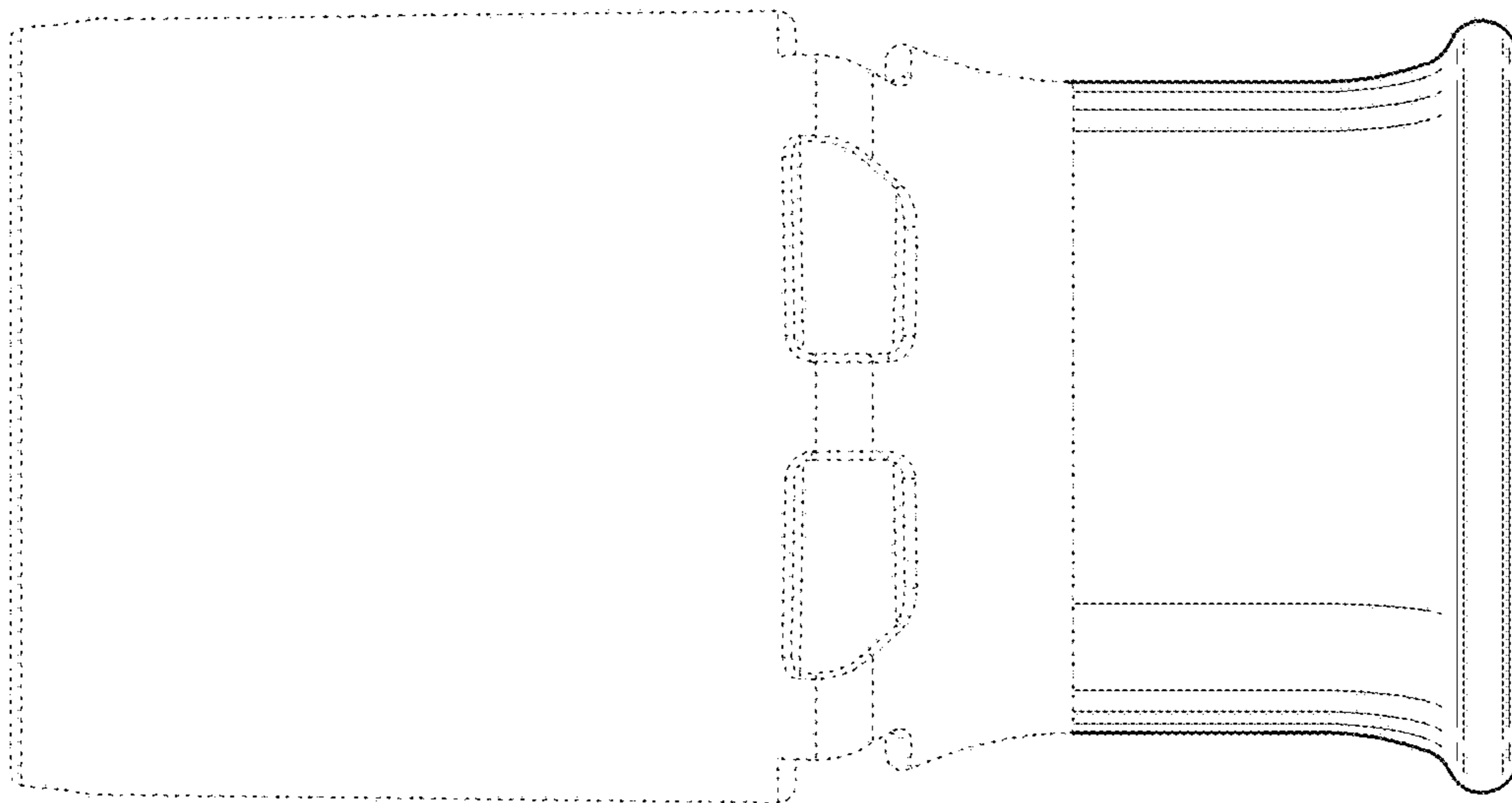


Figure 7

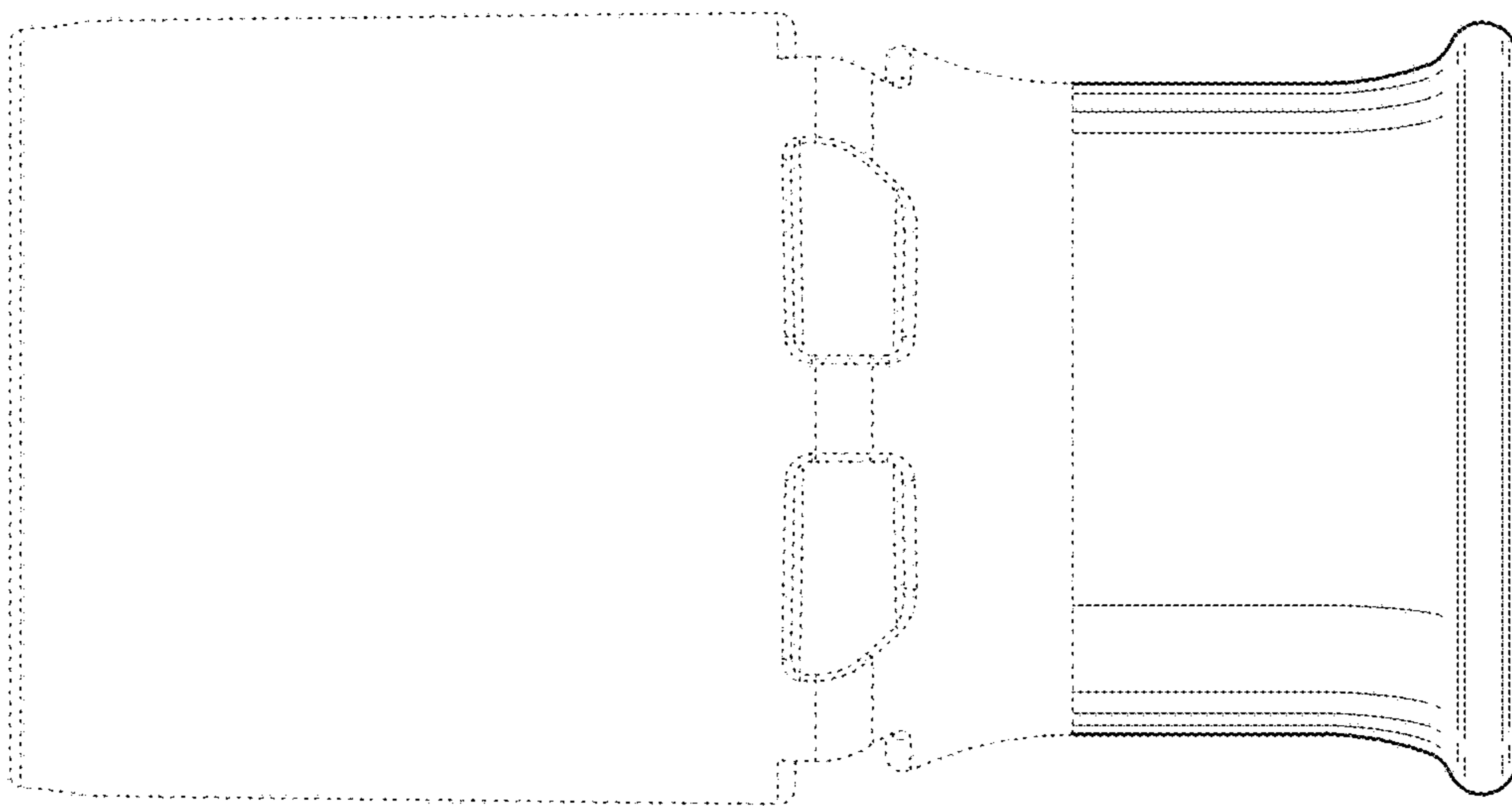


Figure 8