



US00D857879S

(12) **United States Design Patent** (10) **Patent No.:** **US D857,879 S**
Kurgan et al. (45) **Date of Patent:** **** Aug. 27, 2019**

(54) **INHALER CARTRIDGE**
(71) Applicant: **Syqe Medical Ltd.**, Tel-Aviv (IL)
(72) Inventors: **Itay Kurgan**, Tel-Aviv (IL); **Shay Landa**, Tel-Aviv (IL); **Geva Rosenthal**, Ramat-Gan (IL)
(73) Assignee: **Syqe Medical Ltd.**, Tel-Aviv (IL)
(**) Term: **15 Years**

(21) Appl. No.: **29/586,602**

(22) Filed: **Dec. 6, 2016**

(30) **Foreign Application Priority Data**

Jun. 6, 2016 (IL) 58694

(51) **LOC (12) Cl.** **29-02**

(52) **U.S. Cl.**
USPC **D24/110**

(58) **Field of Classification Search**
USPC D24/107, 108, 110, 110.1–110.5, 127, D24/164; D29/108; 128/200.14, 200.23; D27/100, 101, 162, 163, 164, 165, D27/169–171, 194

CPC A61M 15/0085; A61M 15/0005; A61M 11/005; A61M 11/00; A61M 11/02; A61M 11/04; A61M 5/087; A61M 5/0871; A61M 5/091; A61M 5/097; A61M 15/00; A61M 15/0065; A61M 15/0091; A61M 15/0021; A61M 15/0026; A61M 15/008; A61M 15/007; A63B 23/18; A24F 1/00; A24F 1/02; A24F 1/04; A24F 1/06; A24F 1/08; A24F 1/10; A24F 1/12; A24F 1/14; A24F 1/26; A24F 1/28; A24F 7/00; A24F 7/02; A24F 7/04

See application file for complete search history.

(56) **References Cited**

U.S. PATENT DOCUMENTS

6,408,845 B1 * 6/2002 Pereira A62B 23/02
128/201.17
D590,495 S * 4/2009 Lulla D24/110
D590,938 S * 4/2009 Lulla D24/110
D652,506 S * 1/2012 Huberty D24/110.1
D767,114 S * 9/2016 White D24/110
D781,412 S * 3/2017 Wiczorek D24/110.5
9,802,011 B2 * 10/2017 Davidson A61M 11/042
2003/0178024 A1 * 9/2003 Allan A61M 15/0045
128/200.24
2010/0154795 A1 * 6/2010 Pentafragas A61M 15/0028
128/203.15

(Continued)

OTHER PUBLICATIONS

Syqe Inhaler, posted at syqemedical.com, earliest date posted Sep. 13, 2014, [online], acquired on Jan. 29, 2018. Available from Internet, <URL: <http://www.syqemedical.com:80/>> (Year: 2014).*

(Continued)

Primary Examiner — Lilyana Bekic
Assistant Examiner — Aula Soroush

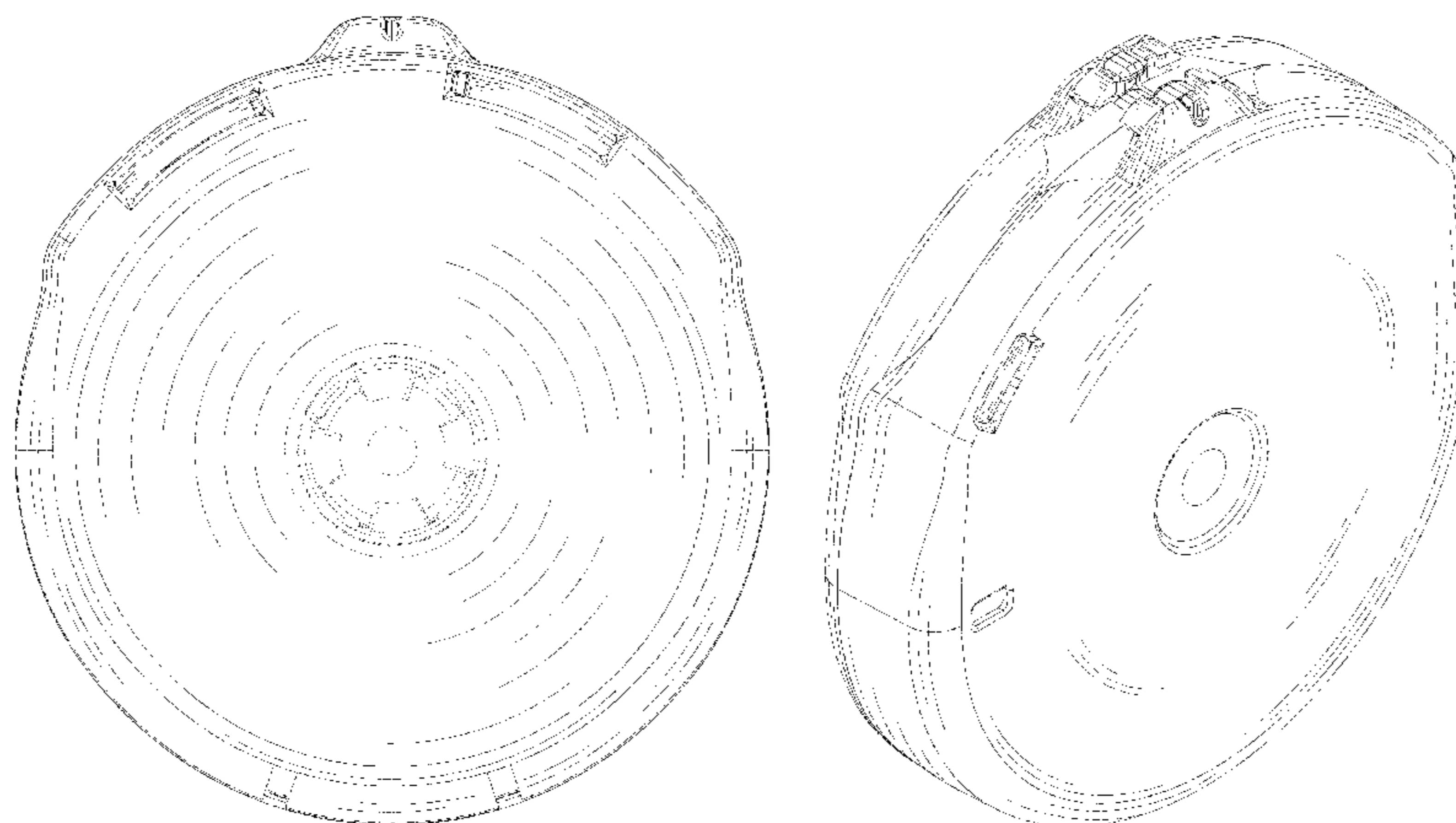
(57) **CLAIM**

The ornamental design for an inhaler cartridge, as shown.

DESCRIPTION

FIG. 1 is a bottom view of an inhaler cartridge showing our new design;
FIG. 2 is a rear view of FIG. 1;
FIG. 3 is a top view of FIG. 1;
FIG. 4 is a right side view of FIG. 1;
FIG. 5 is a left side view of FIG. 1;
FIG. 6 is perspective view of FIG. 1; and,
FIG. 7 is a front view of FIG. 1.

(Continued)



The broken lines in the drawings illustrate portions of the inhaler cartridge that form no part of the claimed design.

1 Claim, 7 Drawing Sheets

(56)

References Cited

U.S. PATENT DOCUMENTS

2017/0203058 A1* 7/2017 Davidson A61M 15/002

OTHER PUBLICATIONS

In global first, Teva signs, posted at timesofisrael.com, earliest date posted Nov. 28, 2016, [online], acquired on Feb. 1, 2018. Available from Internet, <URL: <https://www.timesofisrael.com/in-global-first-teva-signs-deal-to-market-medical-marijuana-inhaler/>> (Year: 2016).*

* cited by examiner

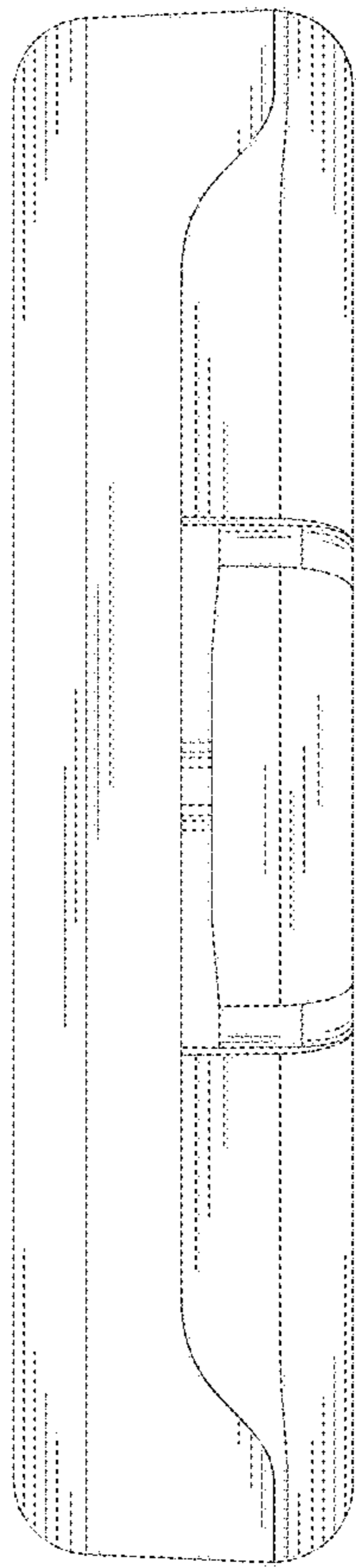


FIG. 1

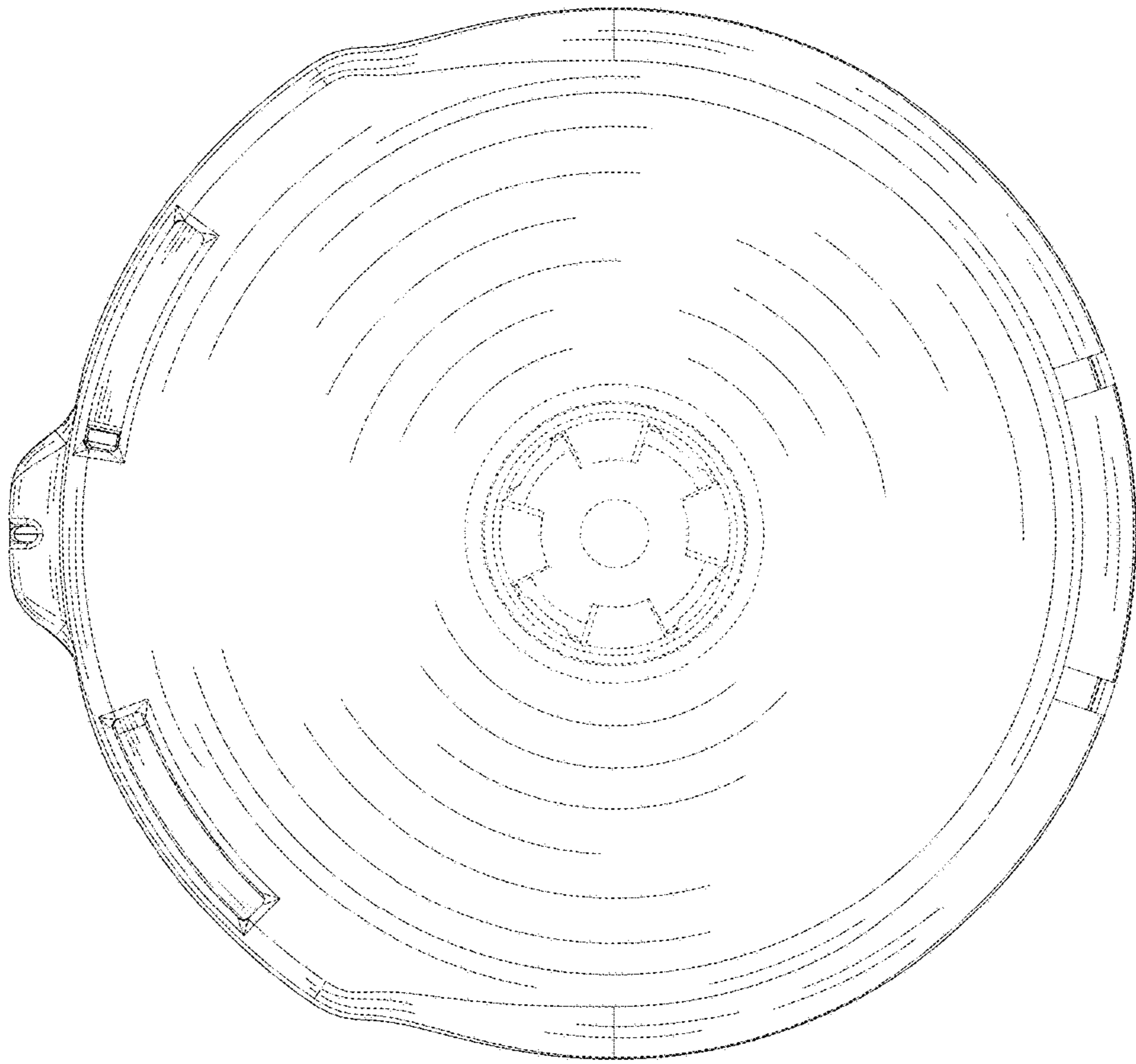


FIG. 2

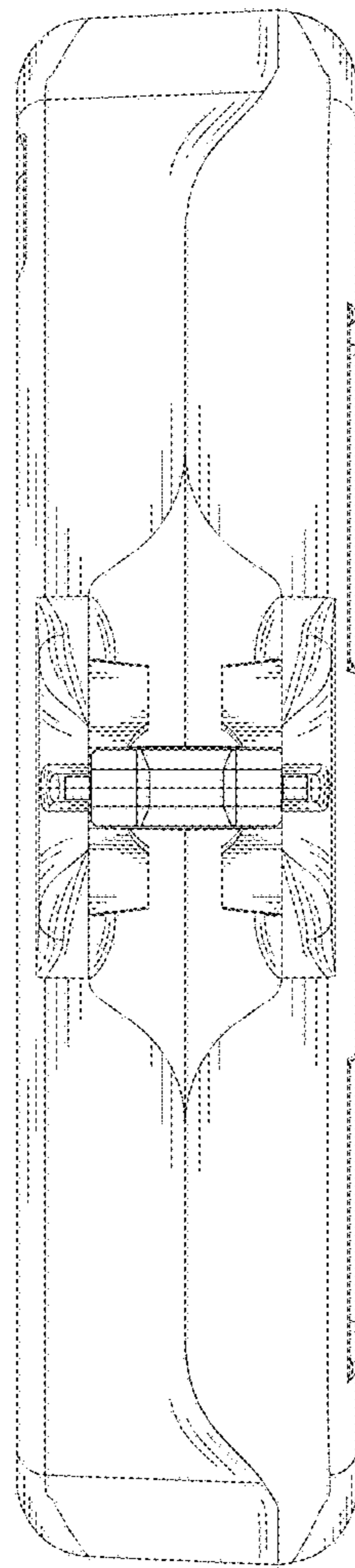


FIG. 3

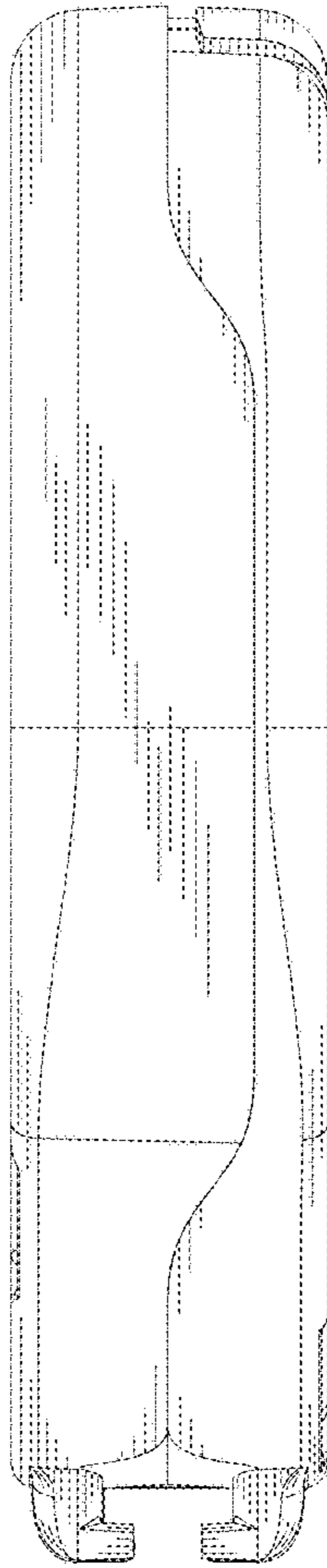


FIG. 4

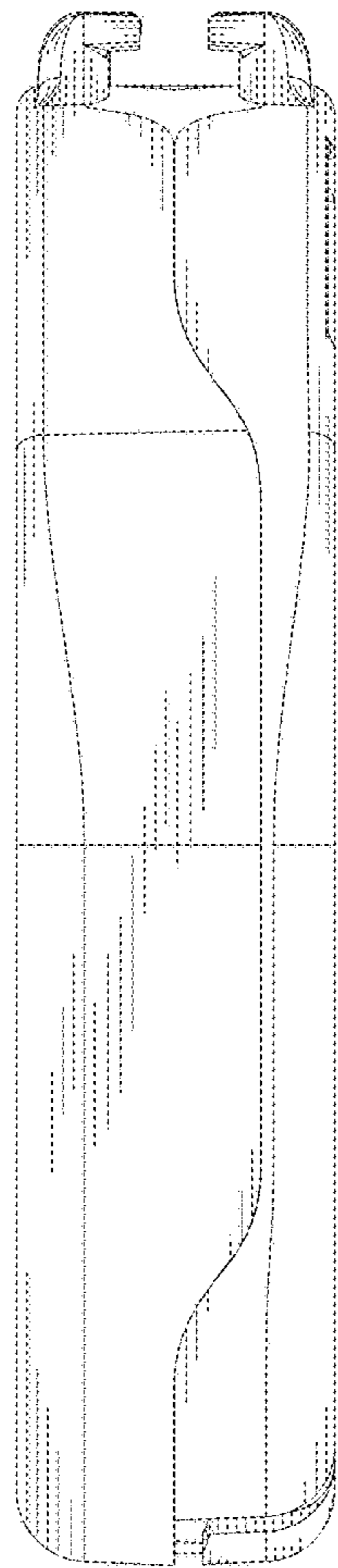


FIG. 5

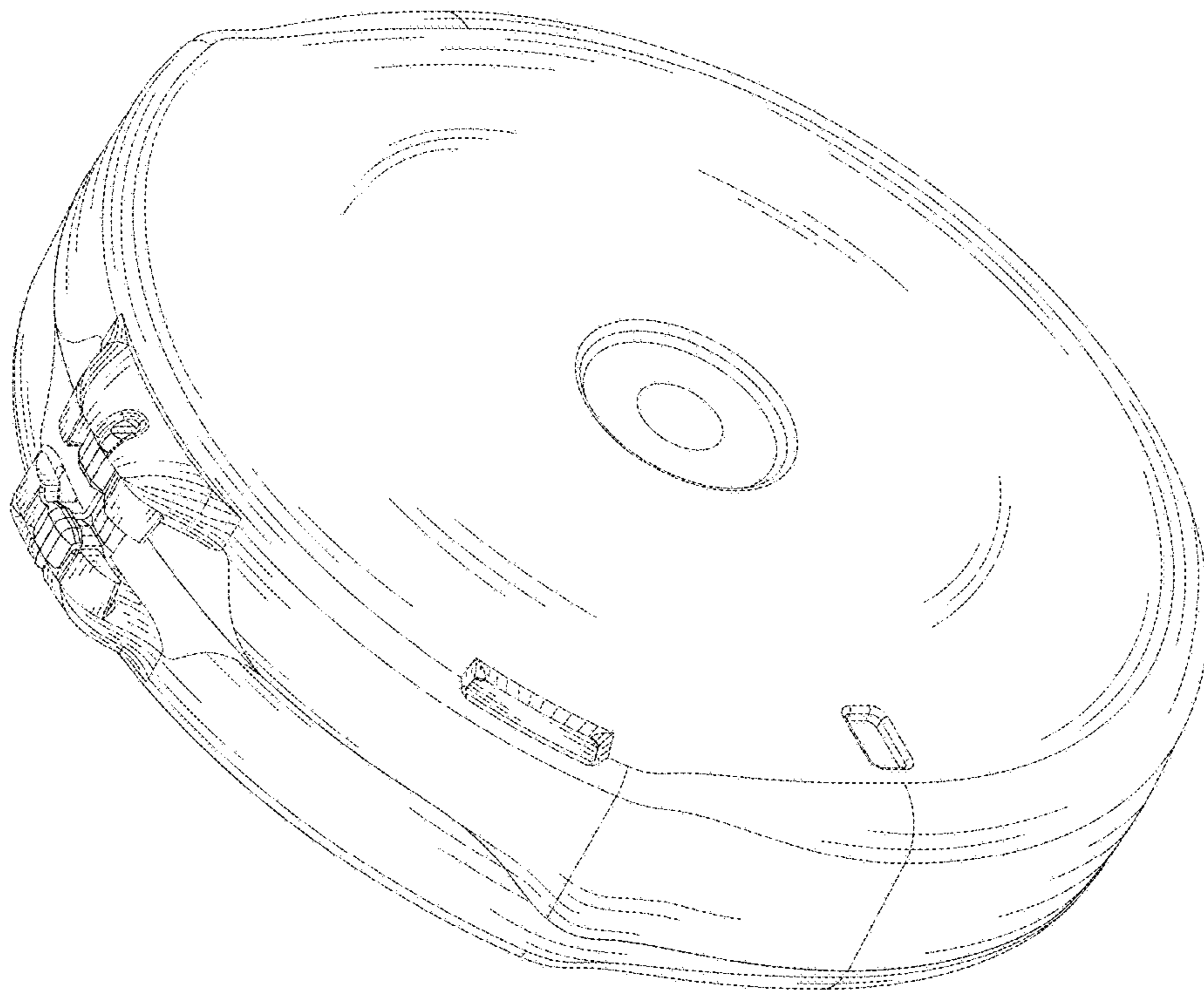


FIG. 6

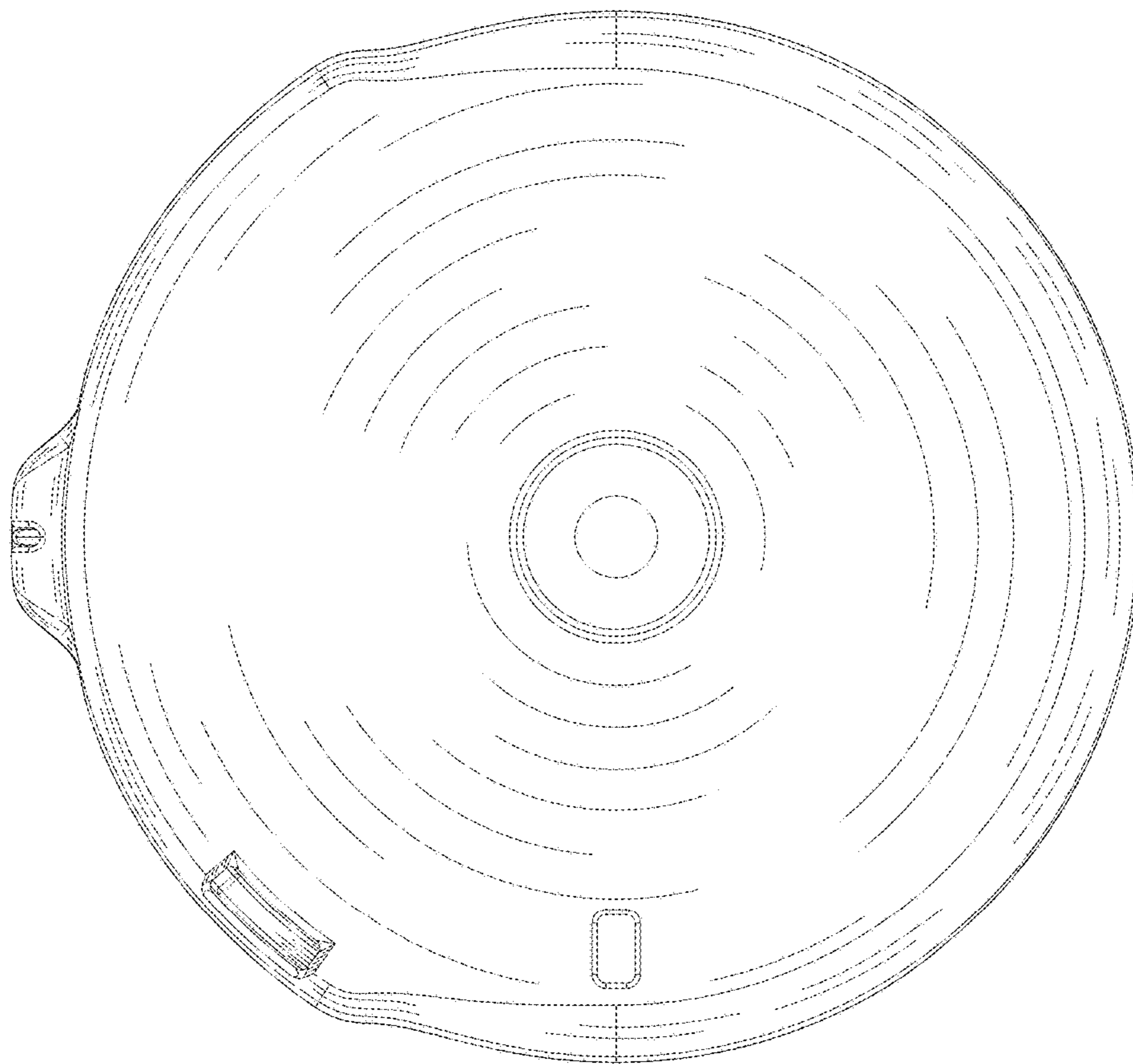


FIG. 7