



US00D857877S

(12) **United States Design Patent**  
**Horng et al.**

(10) **Patent No.:** **US D857,877 S**  
(45) **Date of Patent:** **\*\* Aug. 27, 2019**

(54) **END PLATE OF A BLADE OF A CEILING FAN**

(71) Applicant: **Sunonwealth Electric Machine Industry Co., Ltd., Kaohsiung (TW)**

(72) Inventors: **Alex Horng, Kaohsiung (TW); Cheng-Wei Lin, Kaohsiung (TW)**

(73) Assignee: **Sunonwealth Electric Machine Industry Co., Ltd., Kaohsiung (TW)**

(\*\*) Term: **15 Years**

(21) Appl. No.: **29/643,540**

(22) Filed: **Apr. 10, 2018**

(30) **Foreign Application Priority Data**

Mar. 12, 2018 (TW) ..... 107301403

(51) **LOC (12) Cl.** ..... **23-03**

(52) **U.S. Cl.**  
USPC ..... **D23/411**

(58) **Field of Classification Search**  
USPC ..... D23/314, 317, 324, 328, 332-337, 342, D23/351, 352, 355, 356, 359, 362, 364, D23/370-376, 378, 379, 381-385, D23/411-414; D12/214  
CPC ..... F04D 25/088; F04D 29/38; F04D 29/384; F04D 29/386; F21V 33/0096  
See application file for complete search history.

(56) **References Cited**

**U.S. PATENT DOCUMENTS**

2,014,032 A \* 9/1935 Sharpe ..... F04D 29/384 416/228  
4,265,596 A \* 5/1981 Katagiri ..... F04D 29/384 416/175  
4,662,823 A \* 5/1987 Cooke ..... F04D 29/36 416/228

6,161,797 A \* 12/2000 Kirk ..... B64C 9/12 244/1 N  
6,334,705 B1 \* 1/2002 Weetman ..... B01F 3/04531 366/330.1  
7,252,478 B2 \* 8/2007 Aynsley ..... F03B 17/063 416/204 R  
D587,799 S \* 3/2009 Oleson ..... D23/411  
D604,408 S \* 11/2009 Searle ..... D23/411  
D642,674 S \* 8/2011 Oleson ..... D23/411

(Continued)

*Primary Examiner* — Cathron C Brooks

*Assistant Examiner* — Sharon S Oum

(74) *Attorney, Agent, or Firm* — Alan D. Kamrath; Mayer & Williams PC

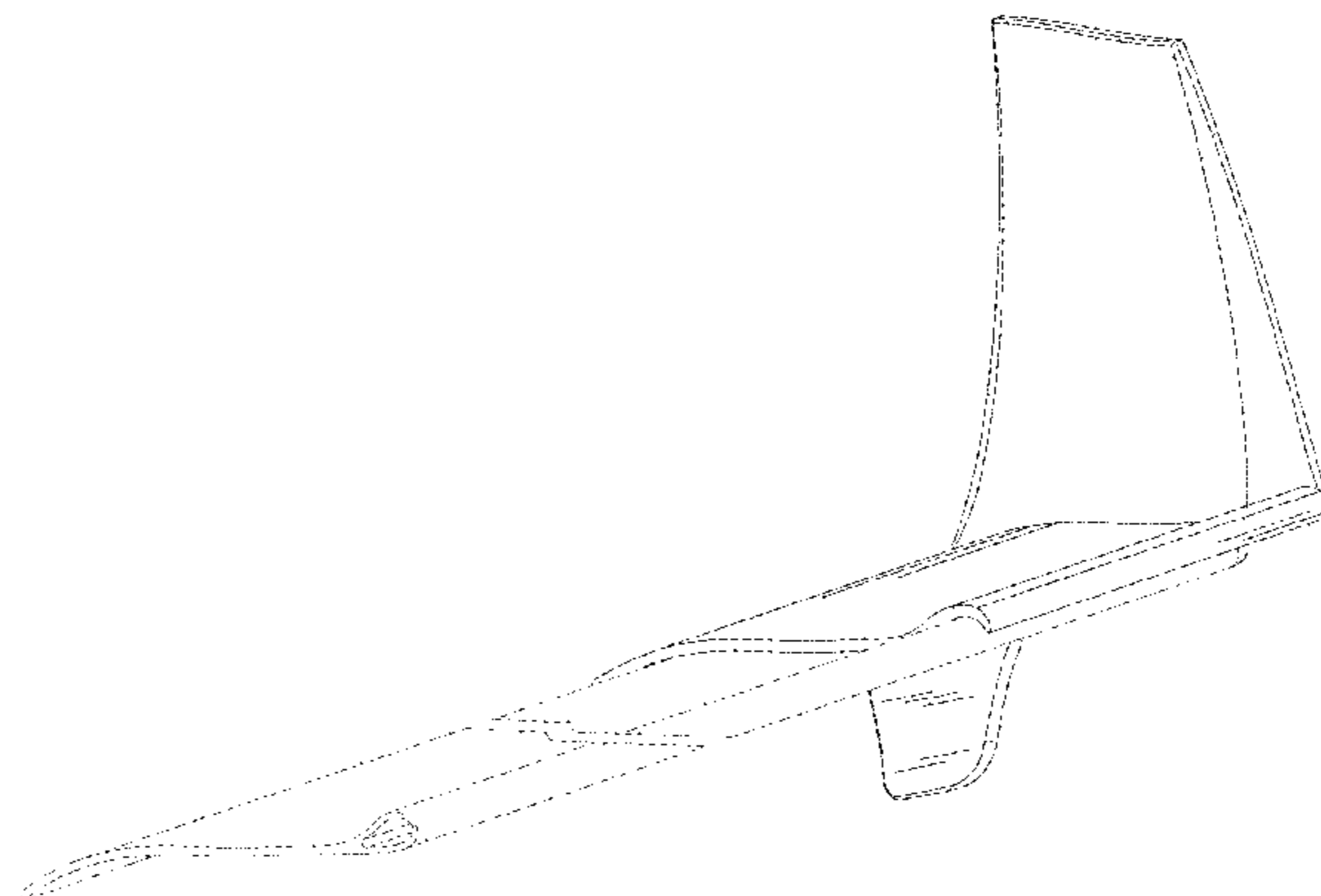
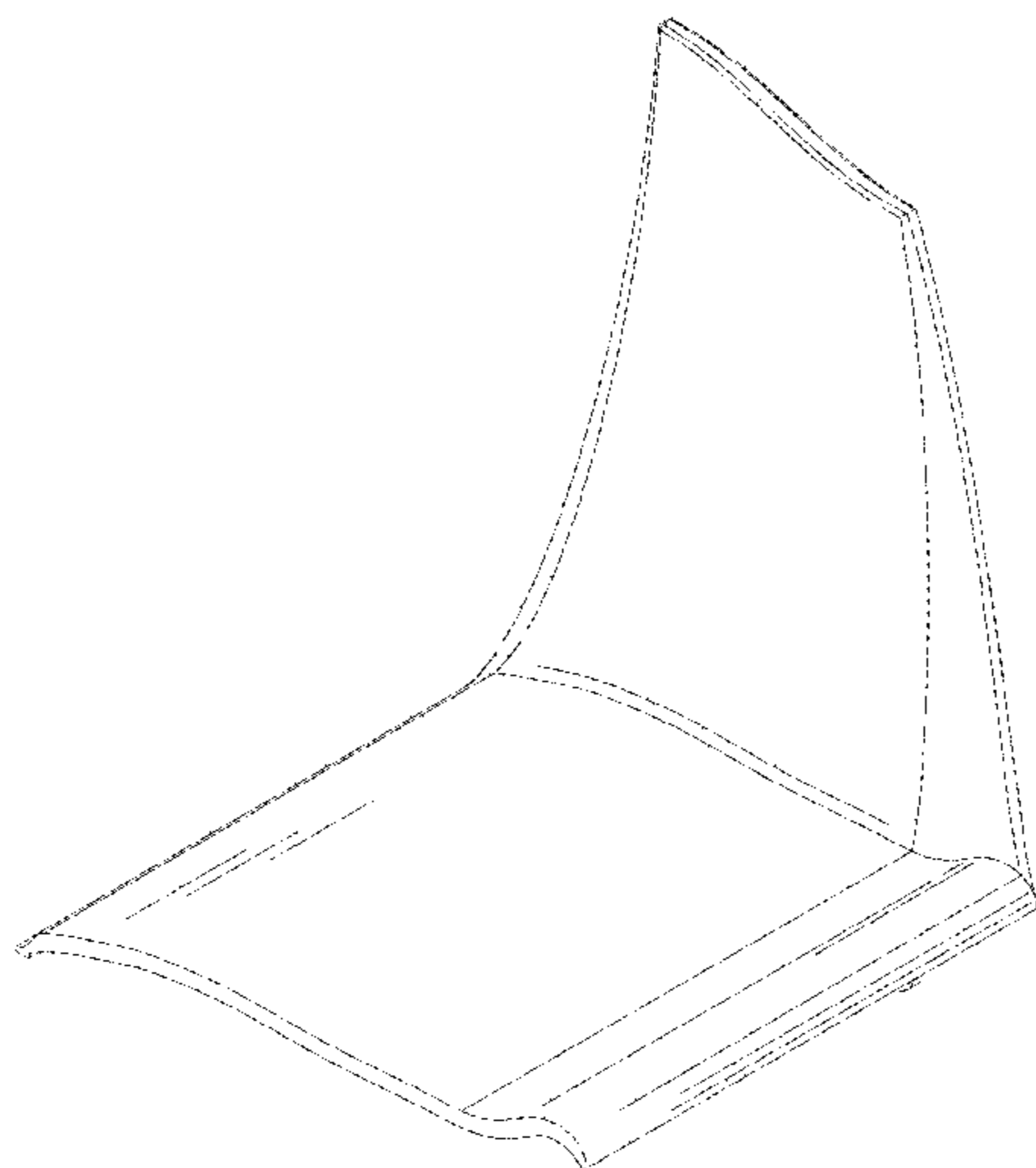
(57) **CLAIM**

The ornamental design for an end plate of a blade of a ceiling fan, as shown and described.

**DESCRIPTION**

FIG. 1 is a perspective view of an end plate of a blade of a ceiling fan showing our new design;  
FIG. 2 is a front elevational view of the end plate of the blade of the ceiling fan;  
FIG. 3 is a rear elevational view of the end plate of the blade of the ceiling fan;  
FIG. 4 is a left side elevational view of the end plate of the blade of the ceiling fan;  
FIG. 5 is a right side elevational view of the end plate of the blade of the ceiling fan;  
FIG. 6 is a top plan view of the end plate of the blade of the ceiling fan;  
FIG. 7 is a bottom plan view of the end plate of the blade of the ceiling fan;  
FIG. 8 is another perspective view of the end plate of the blade of the ceiling fan; and,  
FIG. 9 is another perspective view thereof, but shown with the broken line showing of a ceiling fan blade.  
The broken lines in the drawings that illustrate a blade of a ceiling fan form no part of the claimed design.

**1 Claim, 9 Drawing Sheets**



(56)

**References Cited**

U.S. PATENT DOCUMENTS

8,147,182 B2 \* 4/2012 Aynsley ..... F04D 29/601  
415/119  
8,162,613 B2 \* 4/2012 Oleson ..... F04D 25/088  
416/210 R  
D670,802 S \* 11/2012 Wang ..... D23/413  
D672,868 S \* 12/2012 Williams ..... D23/377  
8,529,212 B2 \* 9/2013 Smith ..... F04D 25/088  
416/226  
D723,678 S \* 3/2015 Strecker ..... D23/413  
9,011,099 B2 \* 4/2015 Wortman ..... F01D 5/141  
416/210 R  
D732,657 S \* 6/2015 Peterson ..... D23/413  
D742,499 S \* 11/2015 Wortman ..... D23/386  
9,874,214 B2 \* 1/2018 Whitley ..... F04D 19/002  
2008/0213097 A1 \* 9/2008 Oleson ..... F04D 25/088  
416/210 R  
2009/0072108 A1 \* 3/2009 Oleson ..... F04D 25/088  
248/282.1  
2011/0081246 A1 \* 4/2011 Aynsley ..... F04D 25/088  
416/204 R  
2016/0290357 A1 \* 10/2016 Whitley ..... F04D 29/388

\* cited by examiner

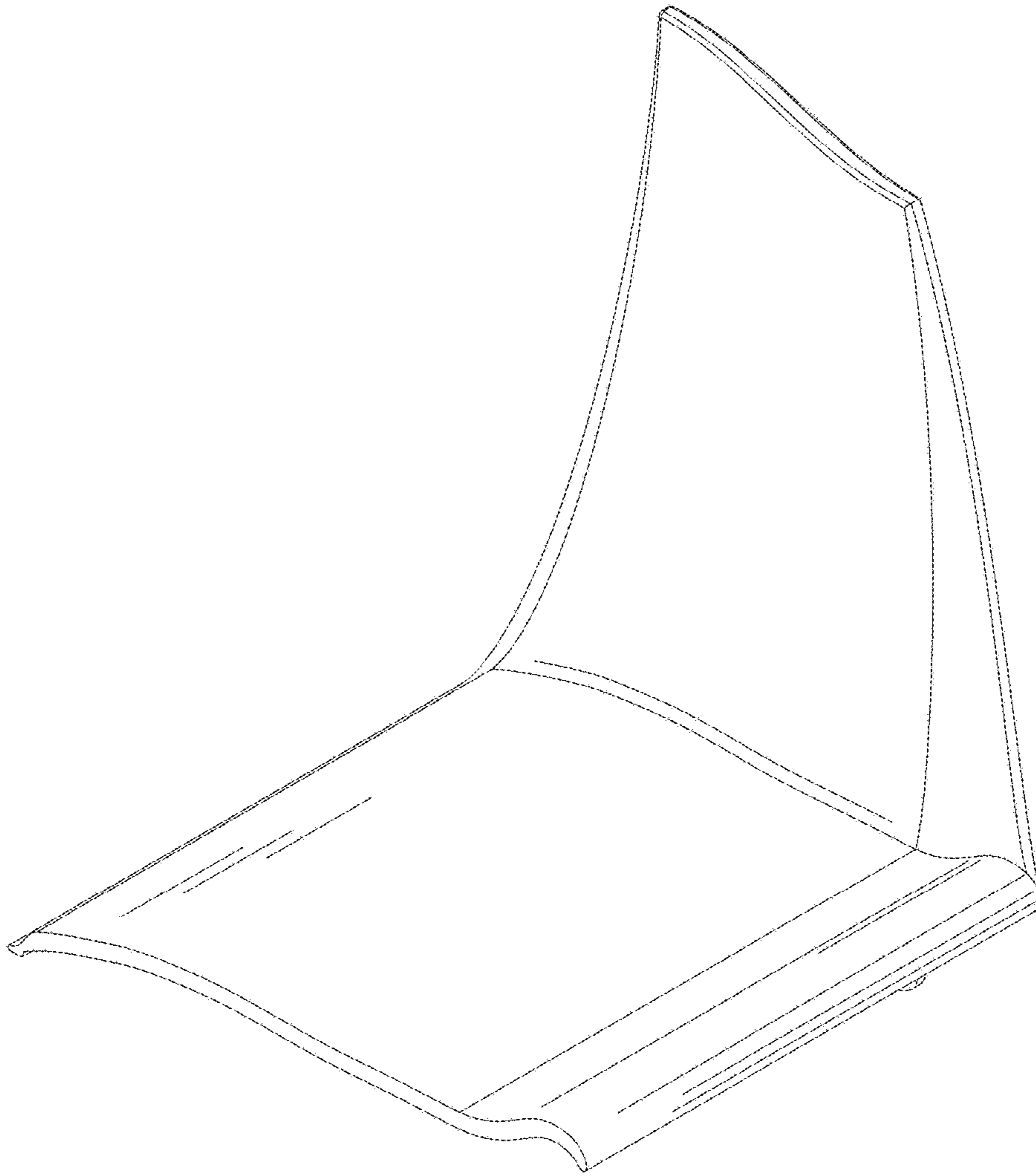


FIG. 1

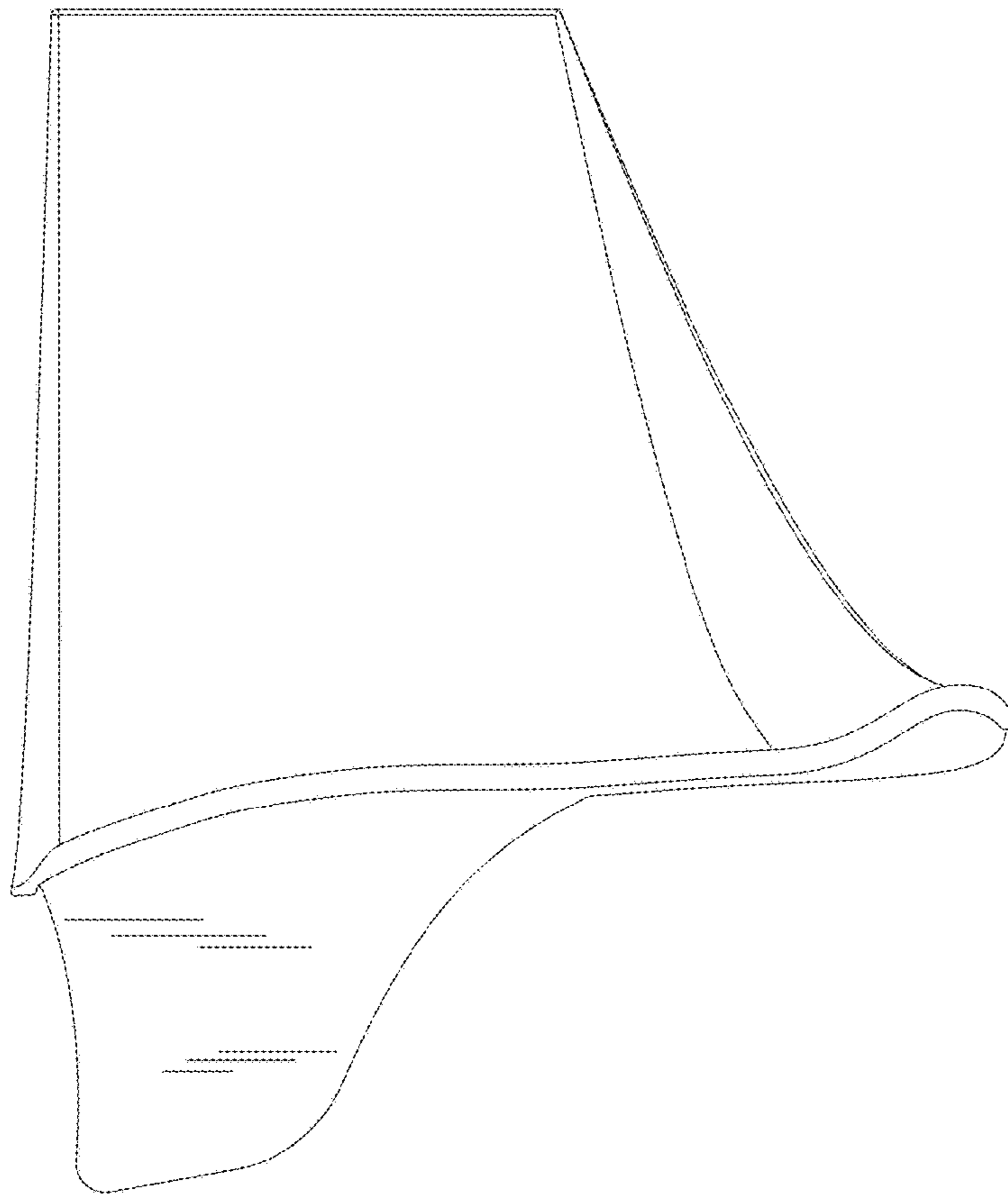


FIG. 2

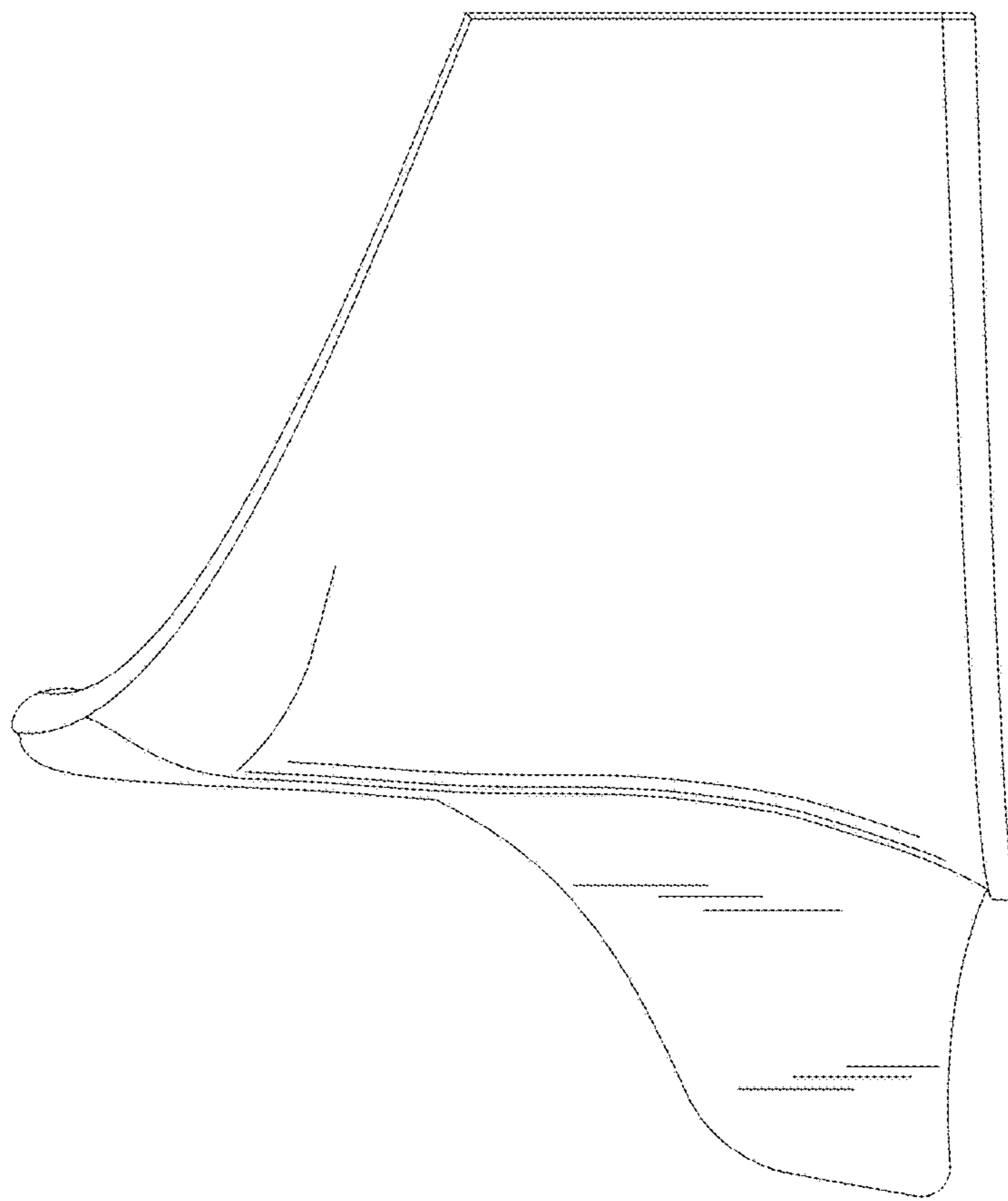


FIG. 3

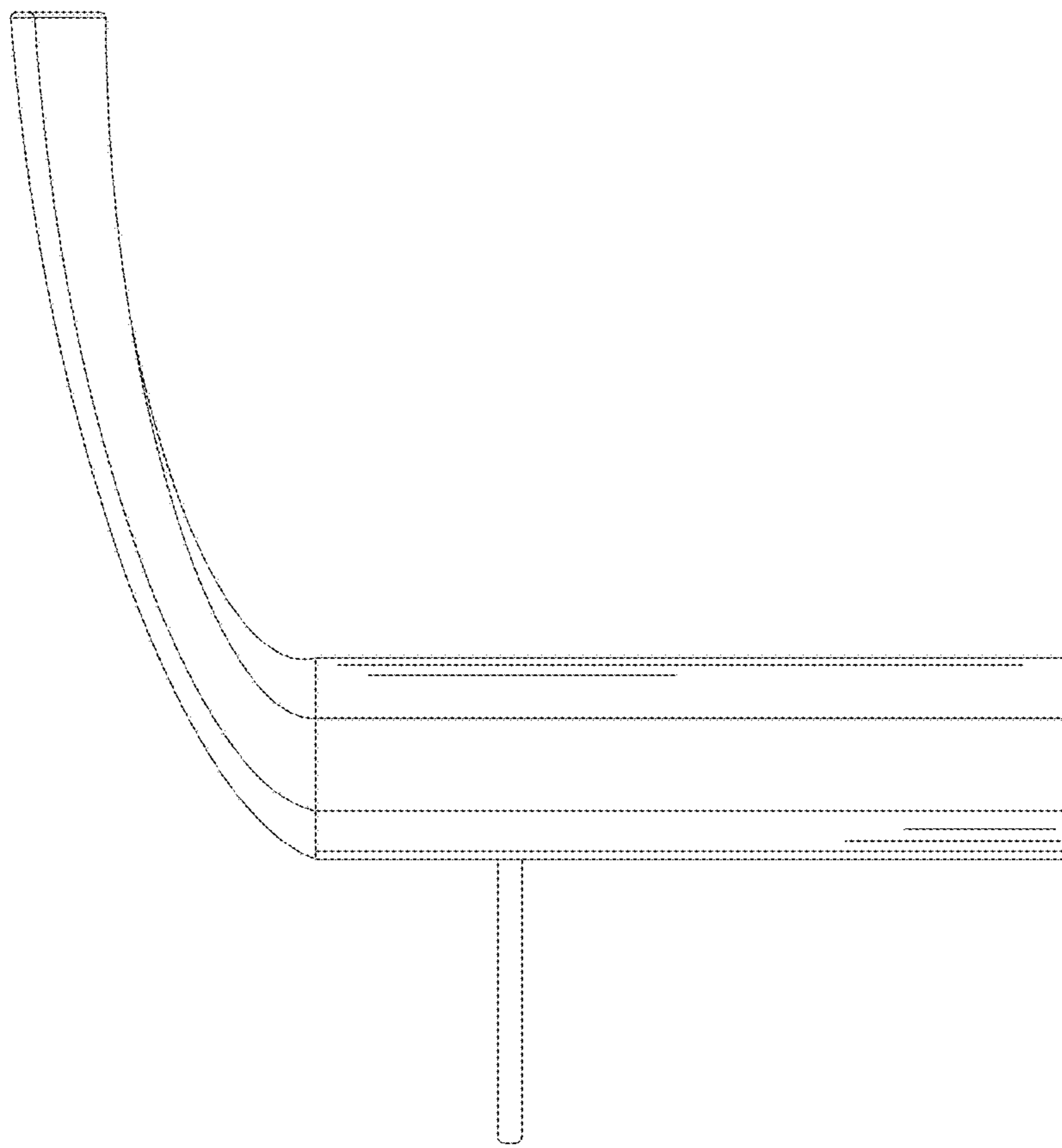


FIG. 4

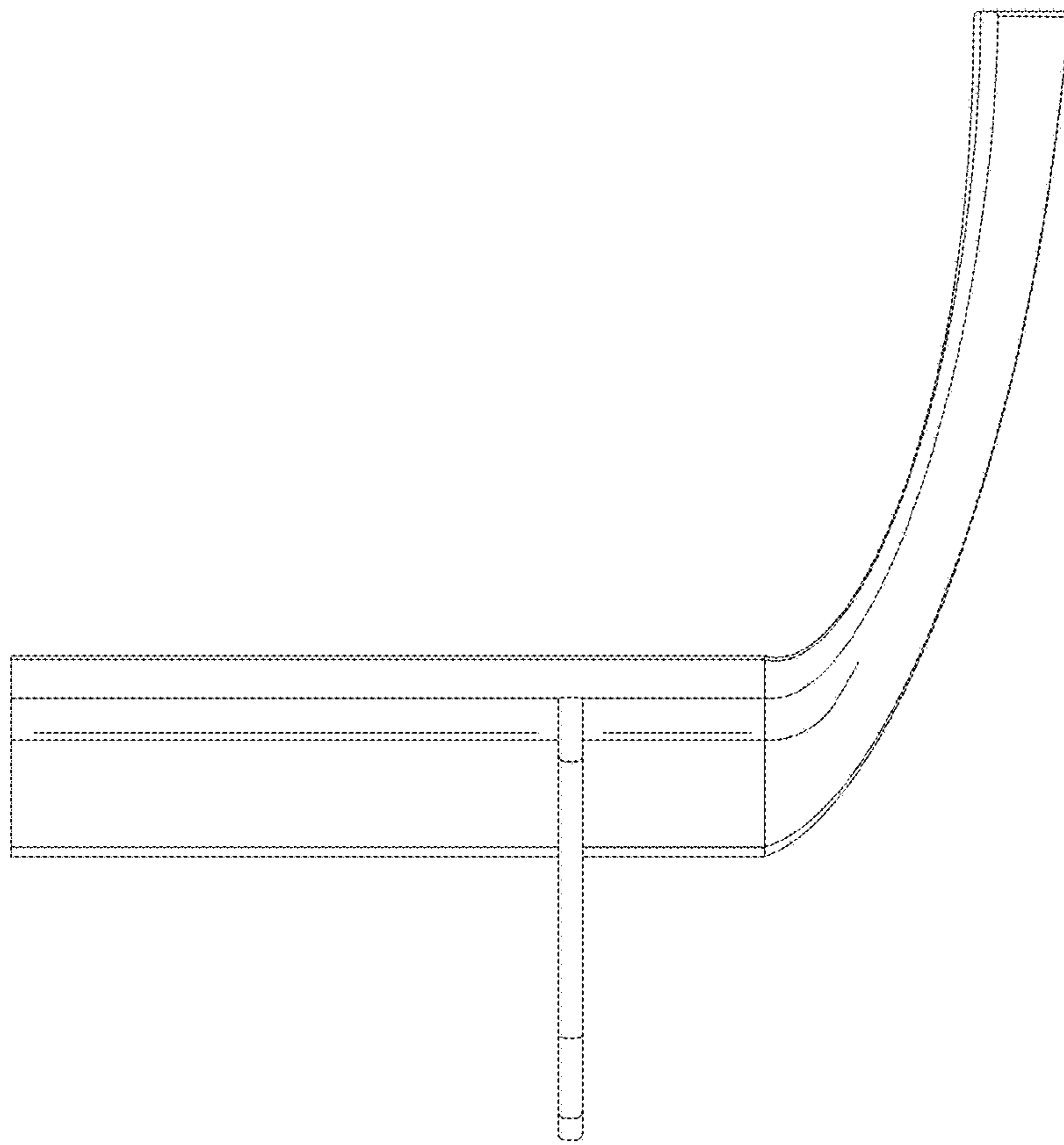


FIG. 5

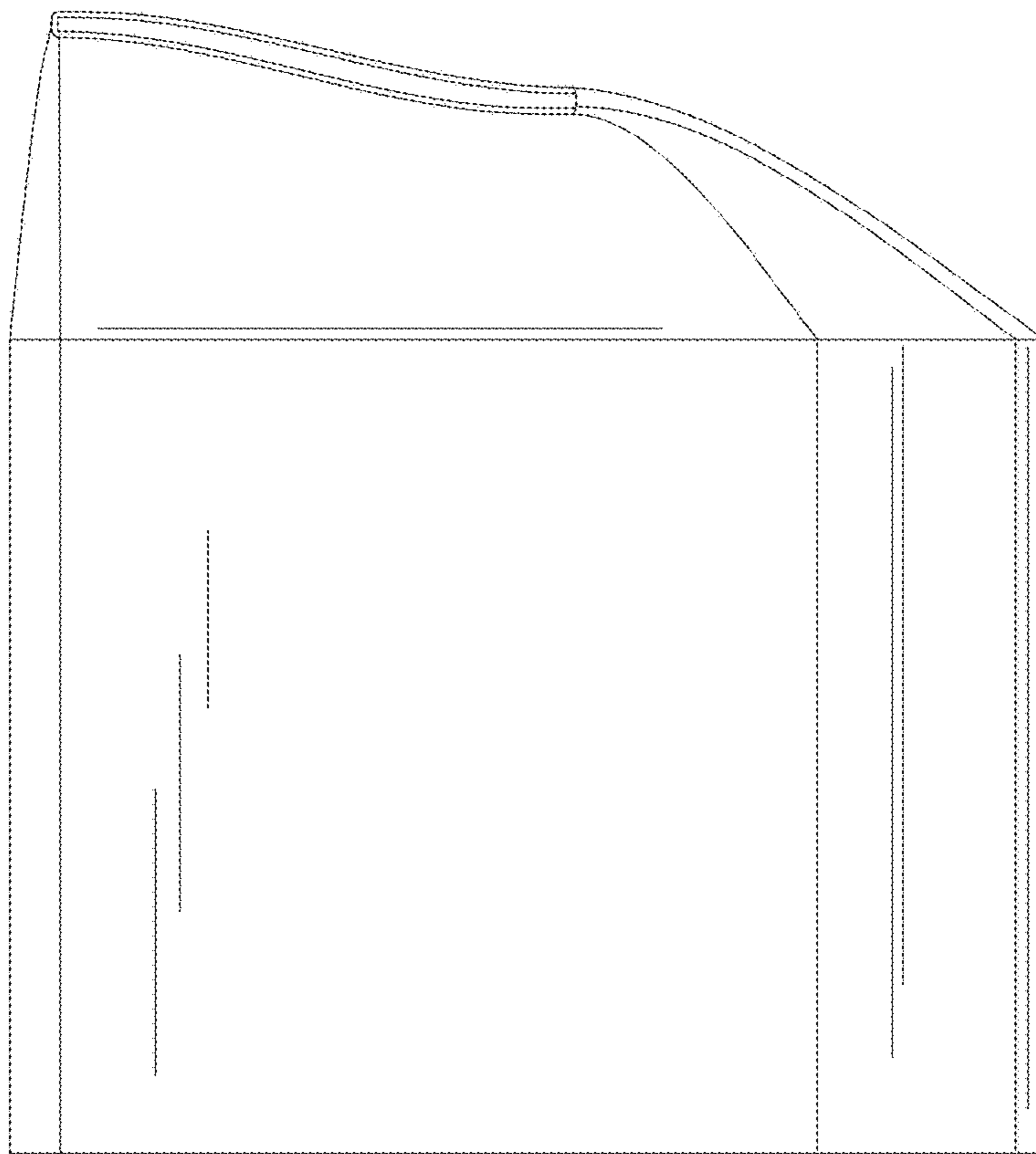


FIG. 6



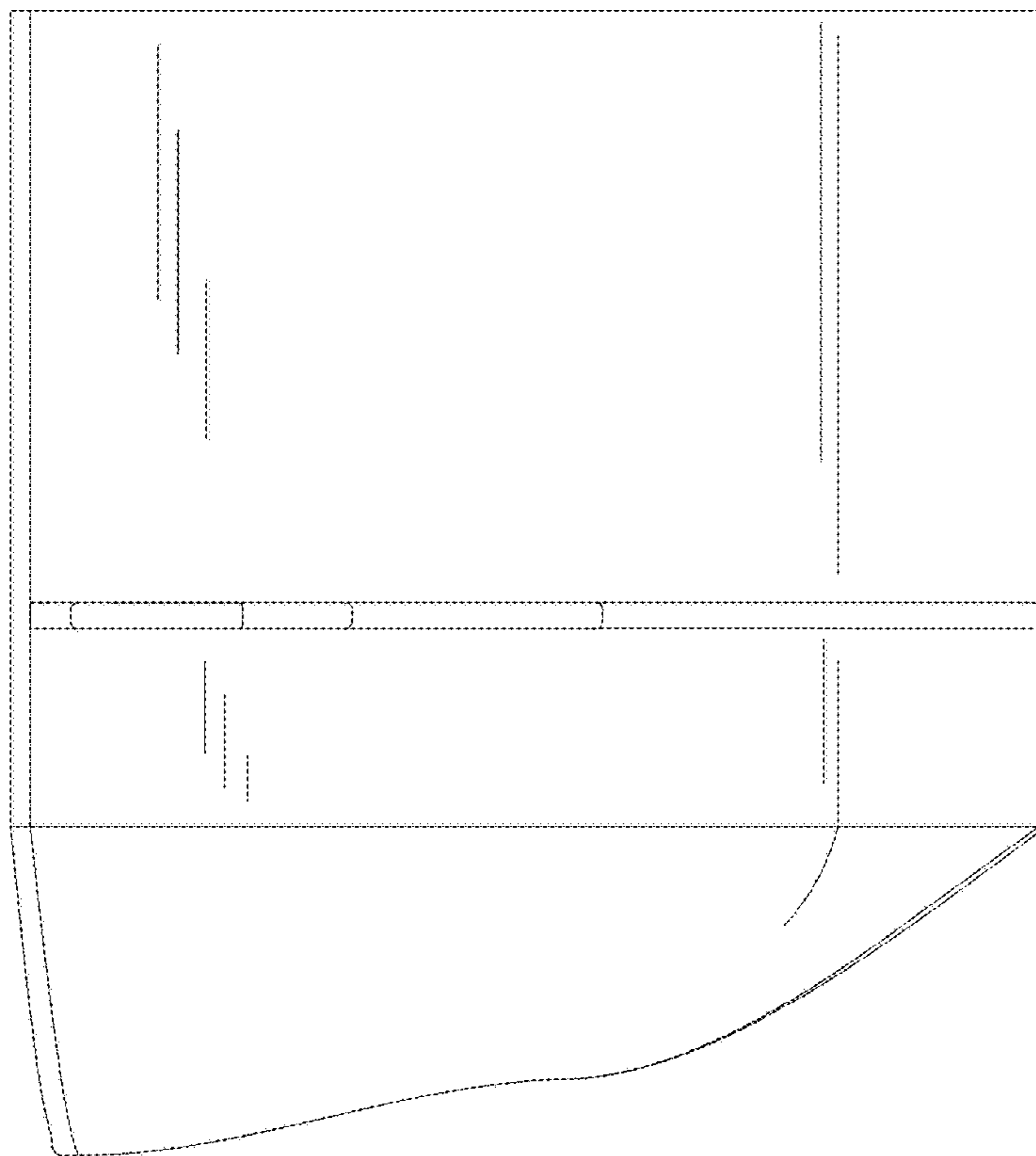


FIG. 7

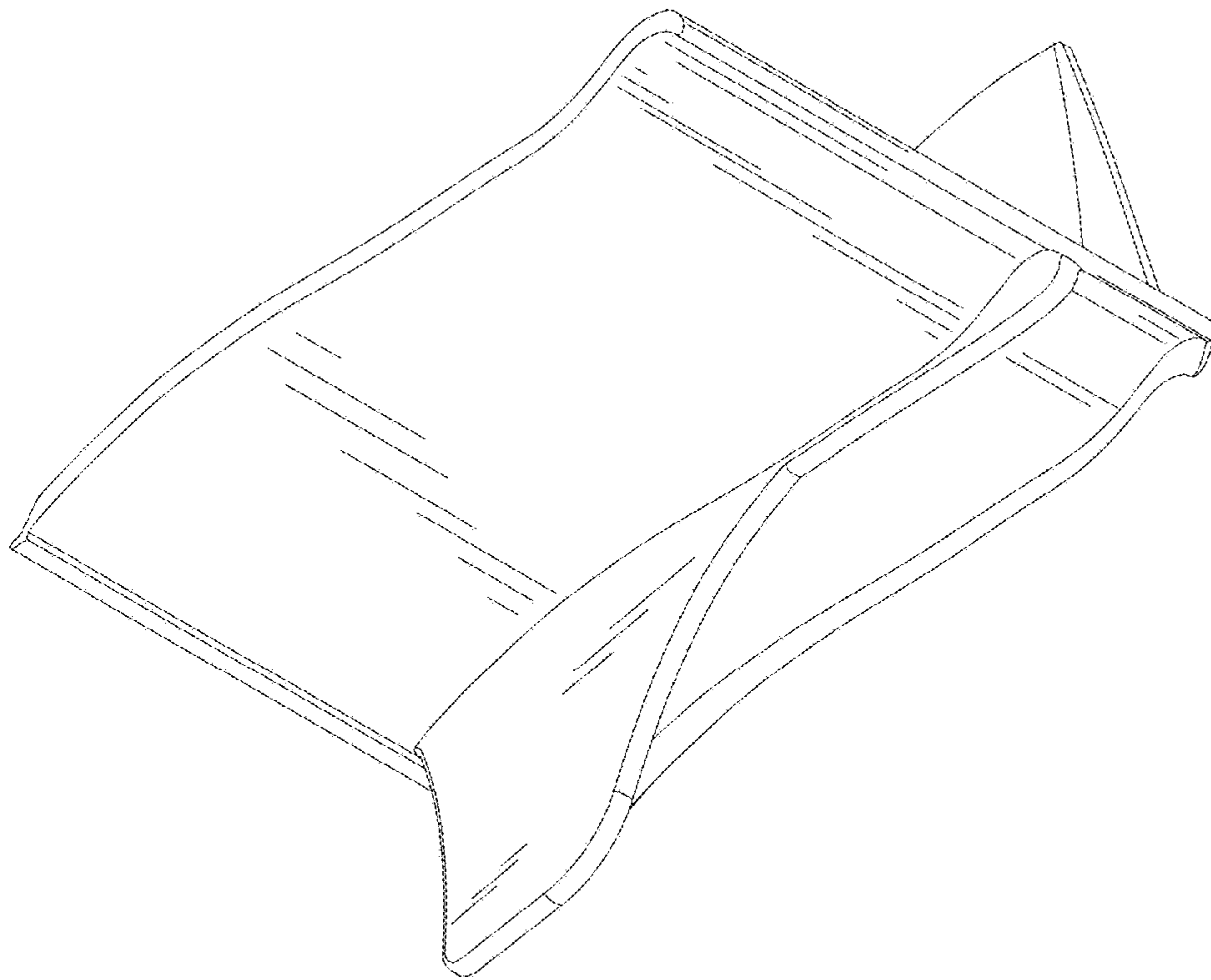


FIG. 8

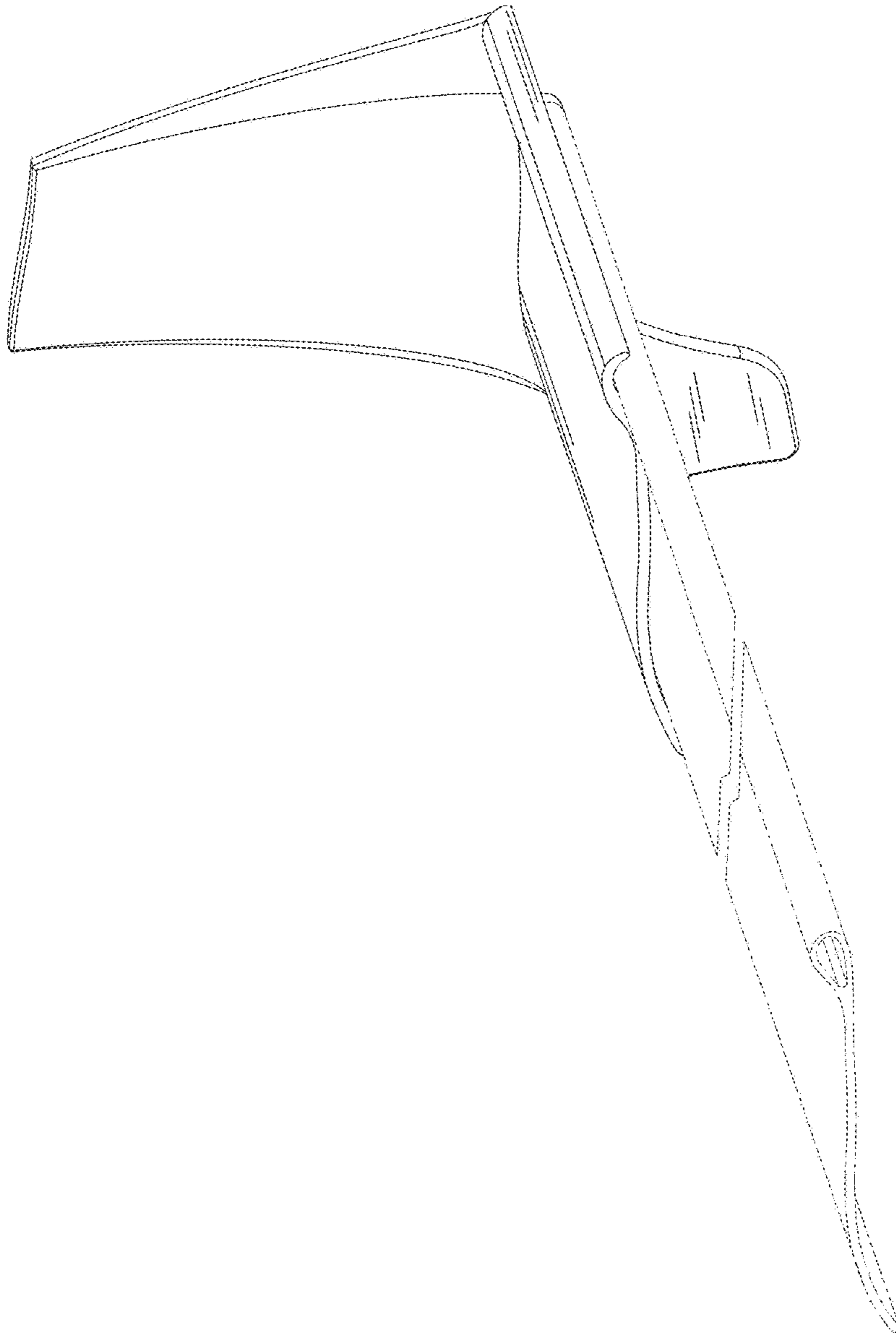


FIG. 9