



US00D857876S

(12) **United States Design Patent**
Ye et al.

(10) **Patent No.:** **US D857,876 S**

(45) **Date of Patent:** **** Aug. 27, 2019**

(54) **VEHICLE-MOUNTED FAN**

(71) Applicant: **THE NEW GENIUS (SZ) TECHNOLOGY CO., LIMITED**,
Shenzhen, Guangdong (CN)

(72) Inventors: **Jianrong Ye**, Shenzhen (CN); **Yonggan Lin**, Guangdong (CN); **Guoxing Wu**, Guangdong (CN)

(73) Assignee: **THE NEW GENIUS (SZ) TECHNOLOGY CO., LIMITED**,
Shenzhen (CN)

(**) Term: **15 Years**

(21) Appl. No.: **29/633,545**

(22) Filed: **Jan. 15, 2018**

(30) **Foreign Application Priority Data**

Nov. 10, 2017 (CN) 2017 3 0551678

(51) **LOC (12) Cl.** **23-03**

(52) **U.S. Cl.**
USPC **D23/411; D23/380**

(58) **Field of Classification Search**
USPC D23/314, 317, 324, 328, 332-337, 342,
D23/351, 352, 355, 356, 359, 362, 364,
D23/370-376, 378, 379, 381-385,
D23/411-414; D6/300-301, 310-312;
D14/376-377, 379, 382, 451; D26/63,
D26/142
CPC F04D 25/08; F04D 29/38; F04D 29/384;
F04D 29/386
See application file for complete search history.

(56) **References Cited**

U.S. PATENT DOCUMENTS

D52,453 S * 9/1918 Kuhn et al. D23/332
D276,550 S * 11/1984 Kouno D23/382

D291,352 S * 8/1987 Kouno D23/378
D354,558 S * 1/1995 Marvin D23/332
D359,116 S * 6/1995 Marvin D23/332
D397,192 S * 8/1998 Chiu D23/328
D517,550 S * 3/2006 Depay D14/375
D539,402 S * 3/2007 Blateri D23/336
D541,241 S * 4/2007 Bloem D14/126
D552,090 S * 10/2007 Kita D14/239
D558,743 S * 1/2008 Isshiki D14/239
D570,312 S * 6/2008 Kita D14/126
D586,491 S * 2/2009 Levine D26/63
D617,931 S * 6/2010 Chen D26/60

(Continued)

OTHER PUBLICATIONS

Willcomes 12V Dual Head Car Auto Cooling Air Fan, date published Jun. 20, 2016, site visited Mar. 21, 2019, Available from Internet, <https://www.youtube.com/watch?v=d01rKgA_pjA>.*

(Continued)

Primary Examiner — Cathron C Brooks

Assistant Examiner — Sharon S Oum

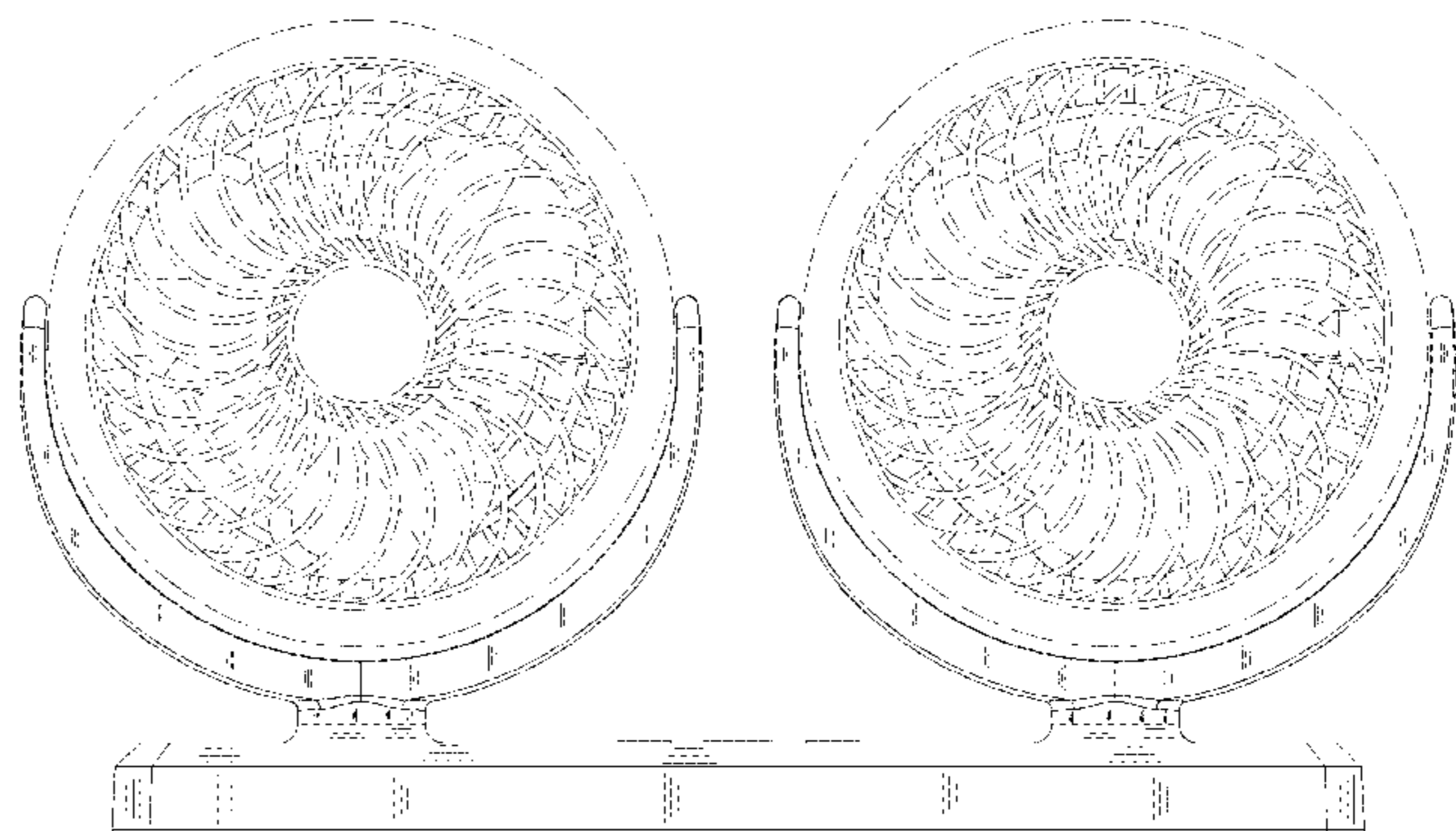
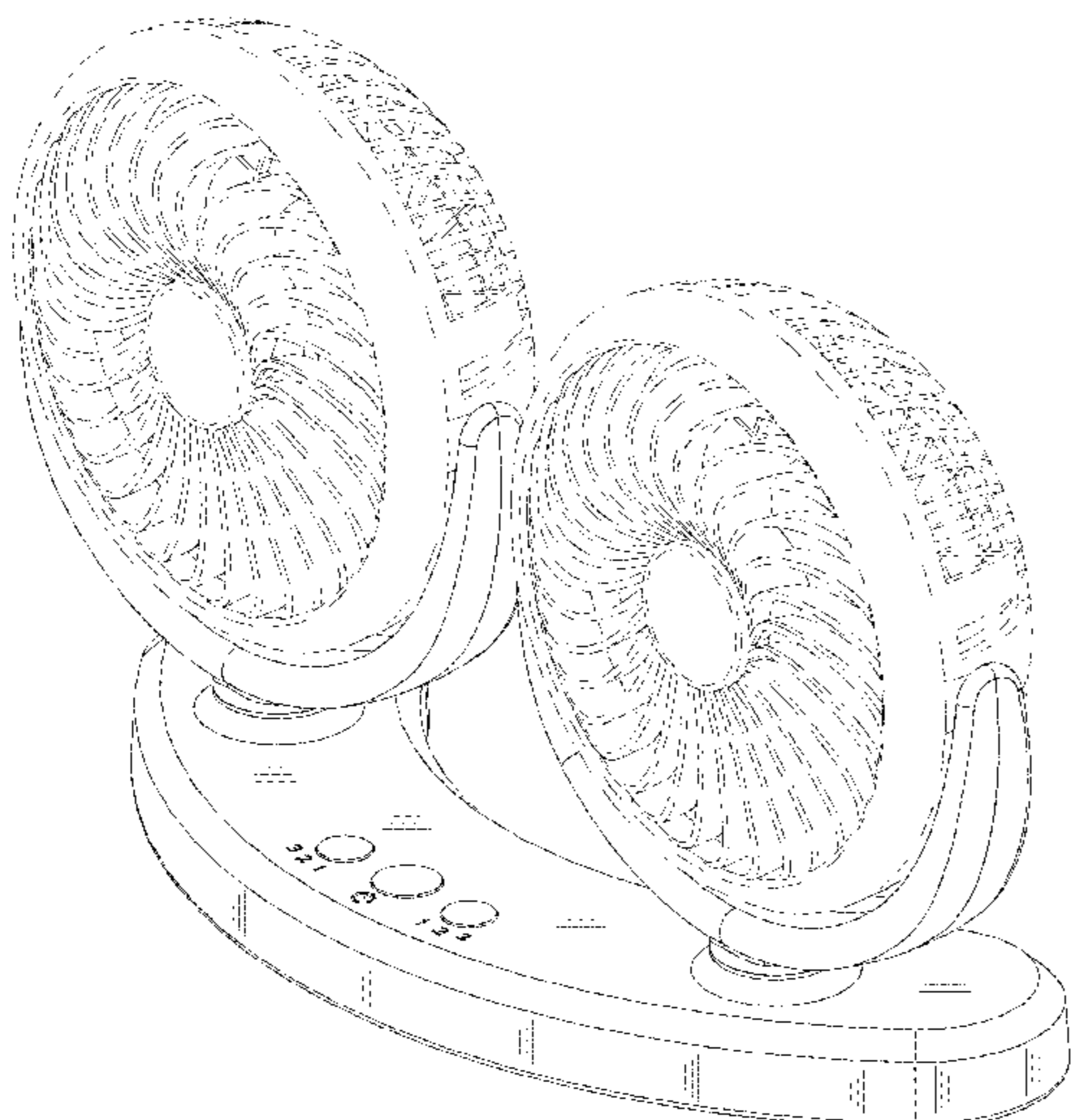
(57) **CLAIM**

The ornamental design for a vehicle-mounted fan, as shown and described.

DESCRIPTION

FIG. 1 is a top, front and right side perspective view of a vehicle-mounted fan showing our new design;
FIG. 2 is a front elevational view thereof;
FIG. 3 is a rear elevational view thereof;
FIG. 4 is a left side view thereof;
FIG. 5 is a right side view thereof;
FIG. 6 is a top plan view thereof; and,
FIG. 7 is a bottom plan view thereof.
The broken lines in the drawings illustrate portions of the vehicle-mounted fan which form no part of the claimed design.

1 Claim, 7 Drawing Sheets



(56)

References Cited

U.S. PATENT DOCUMENTS

7,775,494 B2 * 8/2010 Yen F16M 11/046
248/122.1
D646,418 S * 10/2011 Yamada D26/63
D646,684 S * 10/2011 Tierney D14/451
D685,459 S * 7/2013 Pan D23/370
D689,599 S * 9/2013 Herbst D23/382
D738,118 S * 9/2015 Gyanendra D6/310
D778,420 S * 2/2017 Israel D23/370
D788,052 S * 5/2017 Choi D14/126
D817,473 S * 5/2018 Liu D23/382

OTHER PUBLICATIONS

Mystery 5V 2A USB Fan, date first available Jan. 8, 2019, site visited Mar. 21, 2019, Available from Internet, <https://www.amazon.com/Mystery-Rotatable-Adjustable-Electric-Dashboard/dp/B07M7DR3Q6/ref=sr_1_fknull_1?keywords=dual+head+aroma+fan&qid=1553174903&s=gateway&sr=8-1-fknull>.*

* cited by examiner

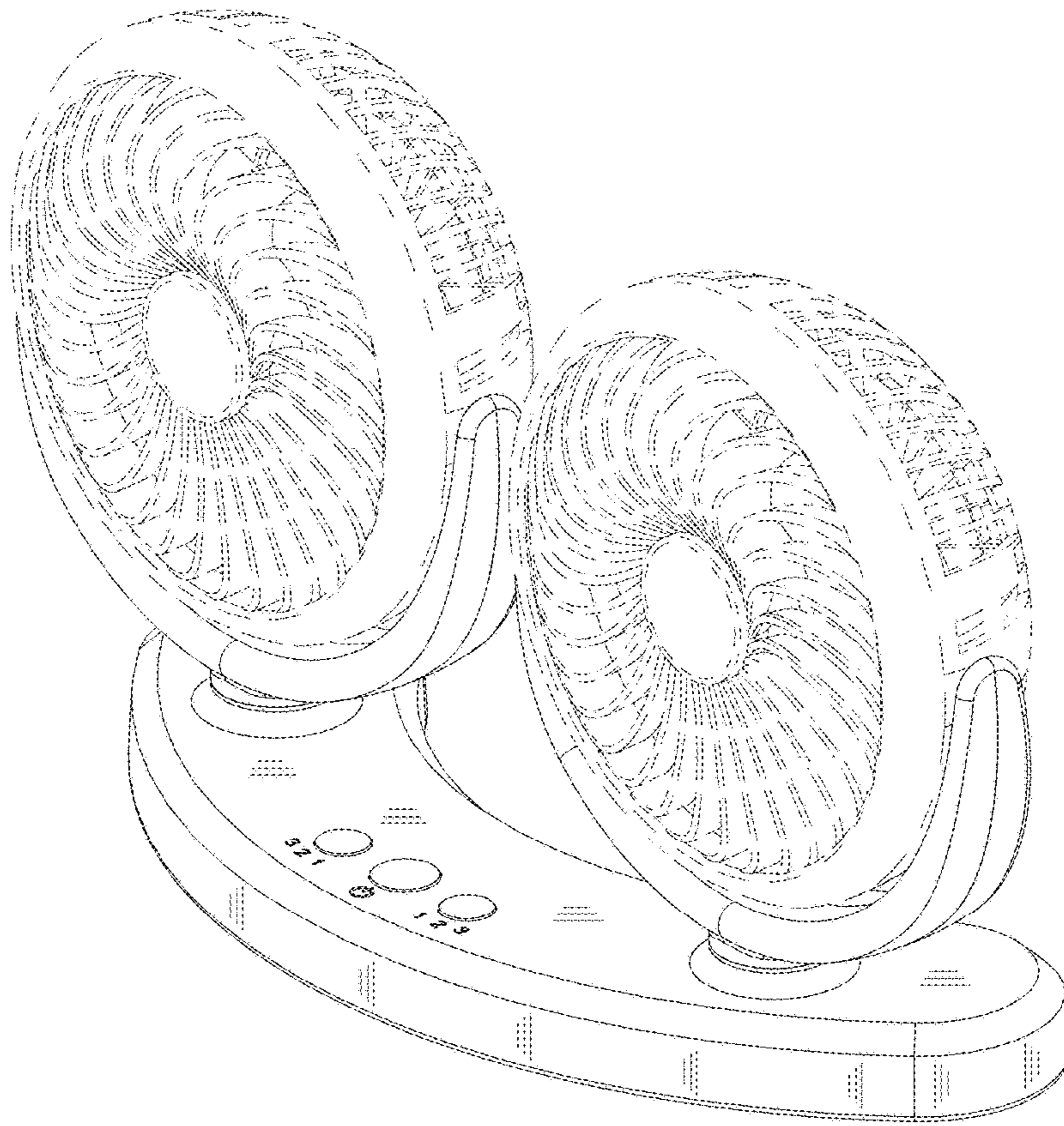


FIG.1

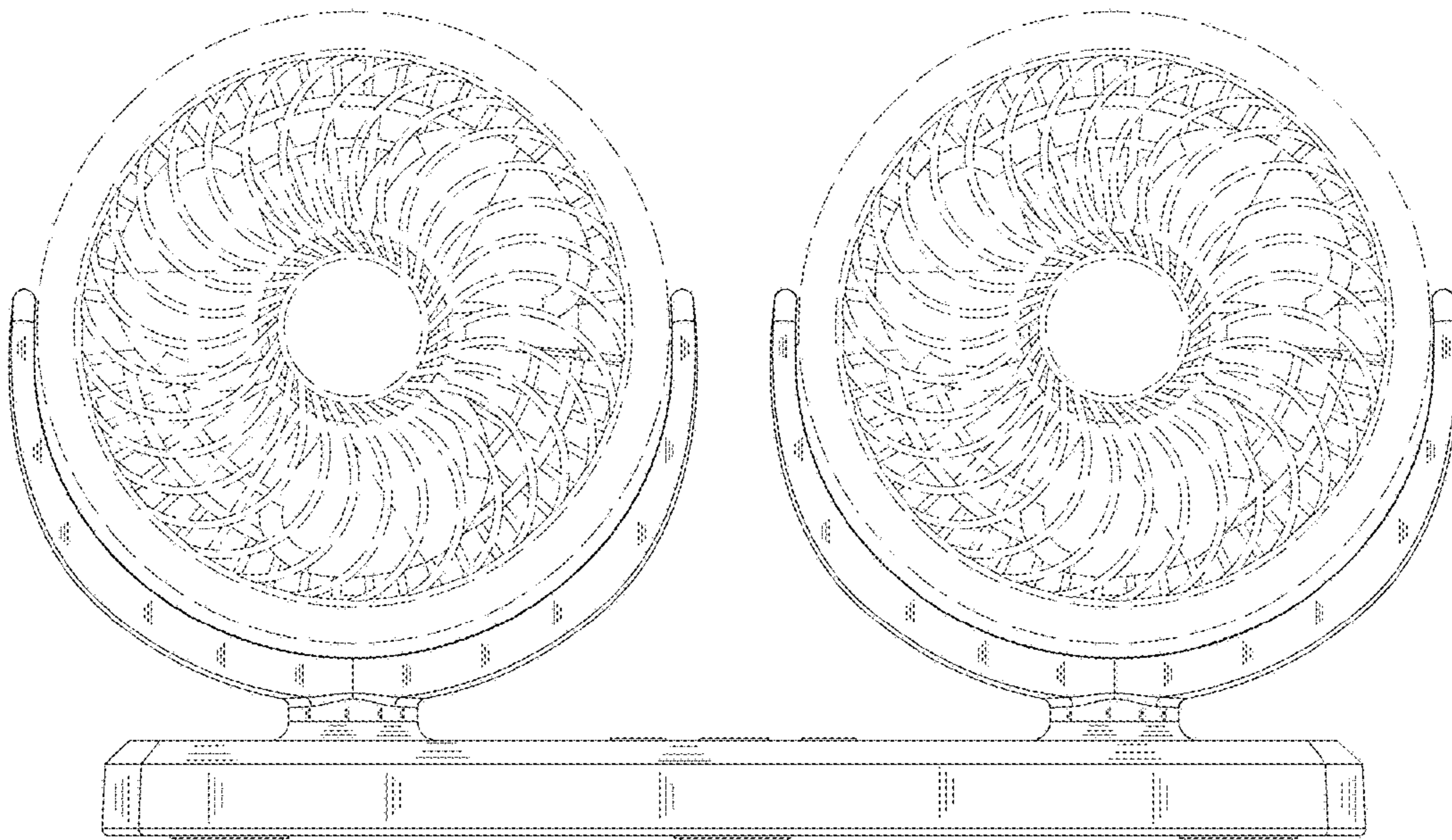


FIG.2

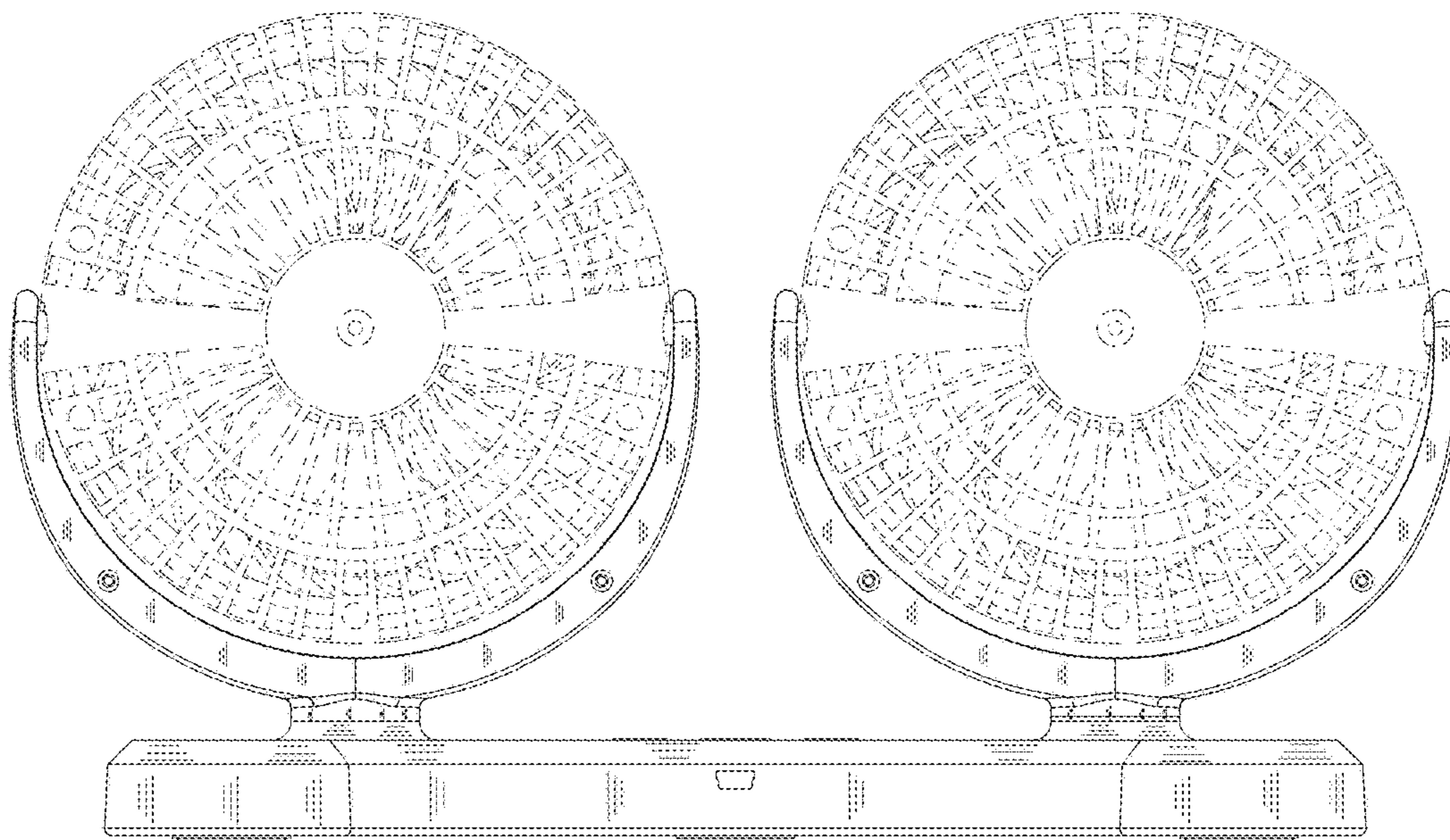


FIG.3

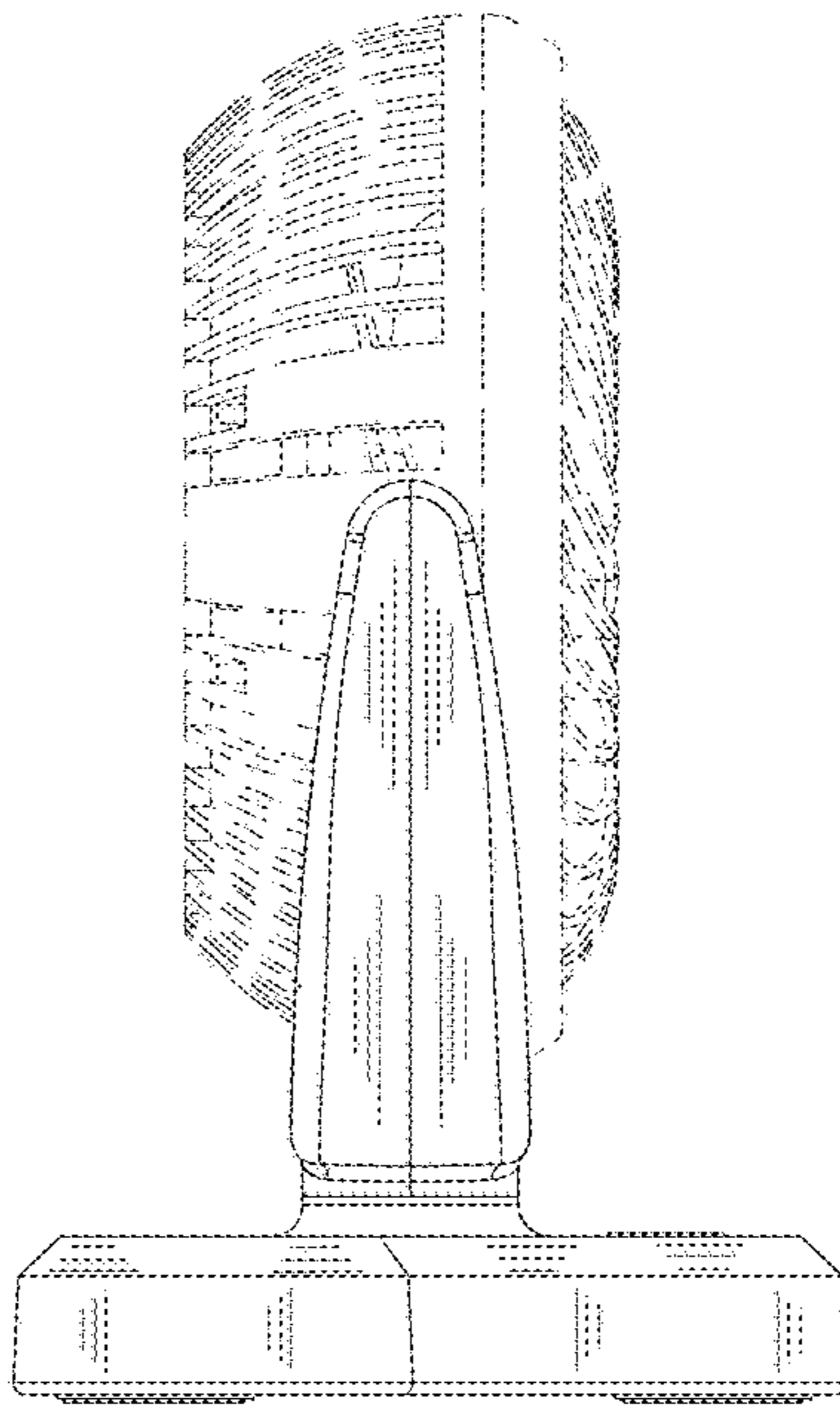


FIG.4

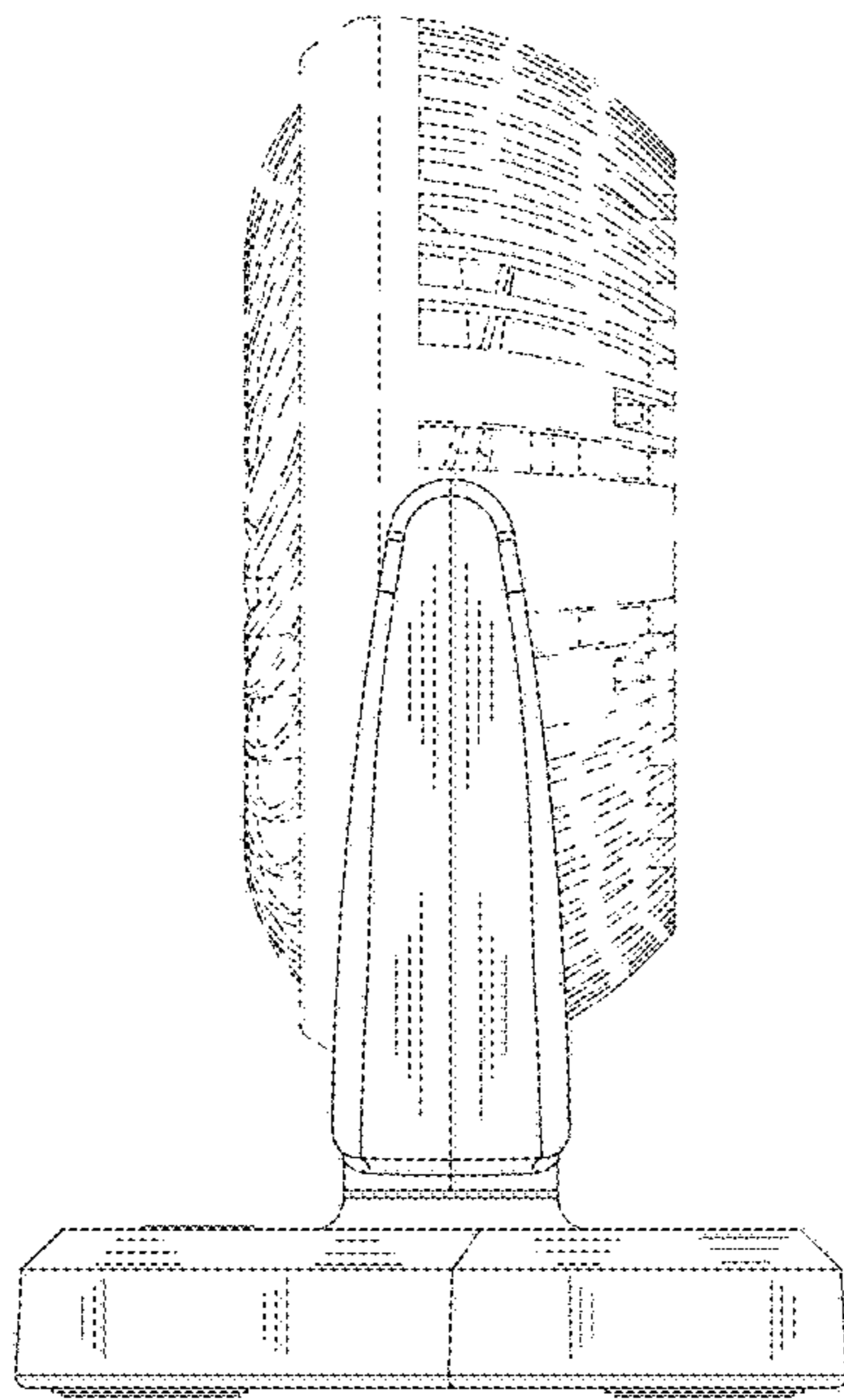


FIG.5

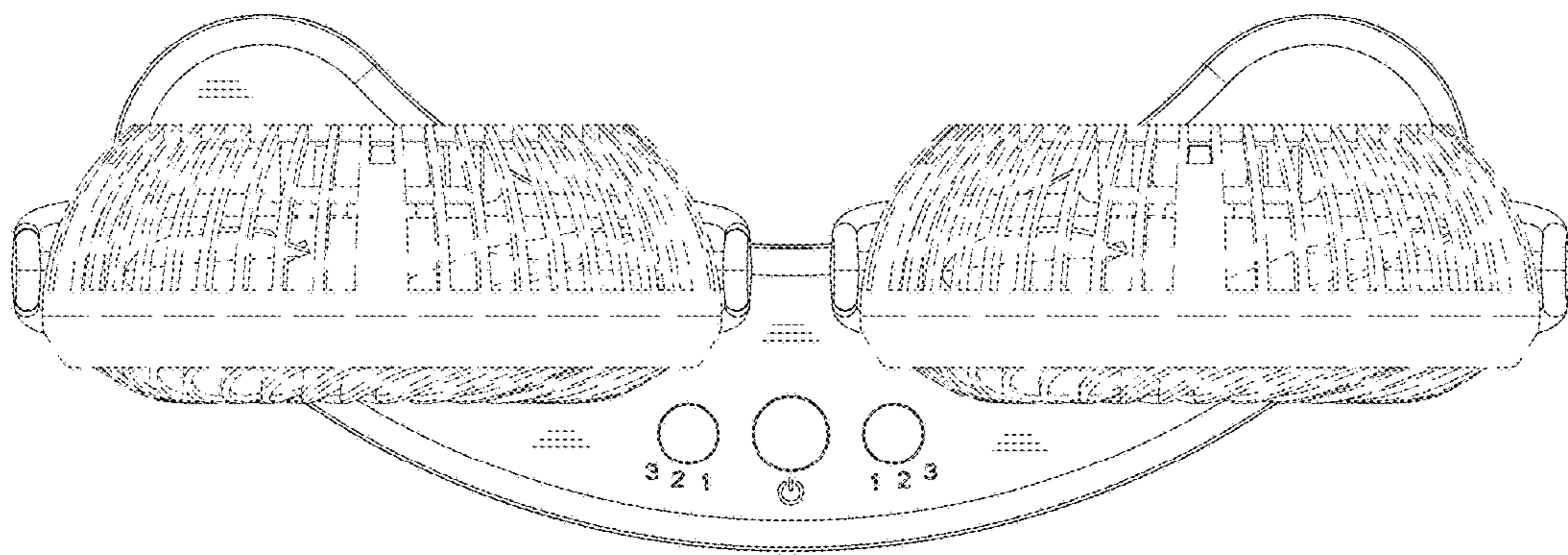


FIG.6

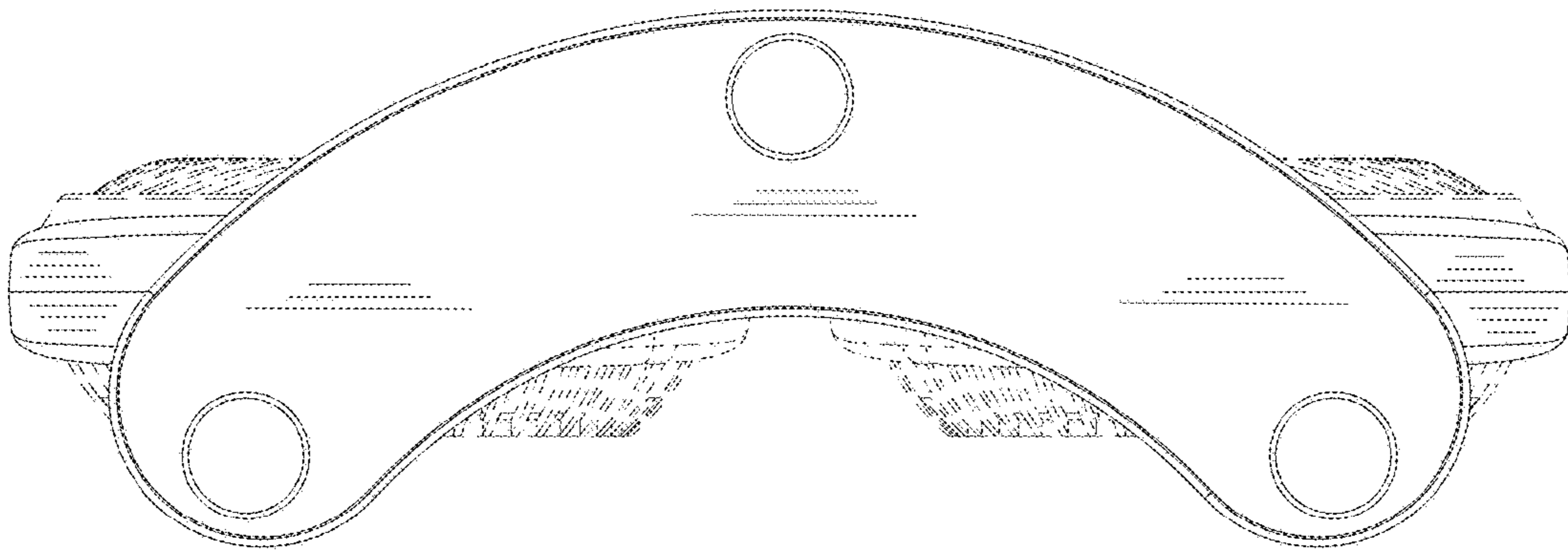


FIG. 7