



US00D857875S

(12) **United States Design Patent** (10) **Patent No.:** **US D857,875 S**
Carran et al. (45) **Date of Patent:** **** Aug. 27, 2019**

(54) **AIR VENT**

(71) Applicant: **FLETTNER VENTILATOR LTD,**
Milton Keynes (GB)

(72) Inventors: **Dean Carran,** Kingston-upon-Thames
(GB); **Jan Niklewicz,** Chiswick (GB)

(**) Term: **15 Years**

(21) Appl. No.: **35/505,110**

(22) Filed: **May 22, 2018**

(80) **Hague Agreement Data**

Int. Filing Date: **May 22, 2018**

Int. Reg. No.: **DM/101387**

Int. Reg. Date: **May 22, 2018**

Int. Reg. Pub. Date: **Jun. 15, 2018**

(51) **LOC (12) Cl.** **23-03**

(52) **U.S. Cl.**
USPC **D23/393**

(58) **Field of Classification Search**
USPC D23/385-389, 395, 330, 397, 393, 392,
D23/370, 351, 354

CPC F24F 2110/10; F24F 11/30; F24F 11/56;
F24F 11/62; F24F 2110/12; F24F
2110/50; F24F 2140/40; F24F 11/46;
F24F 11/52; F24F 11/58; F24F 11/61;
F24F 11/64; F24F 11/65; F24F 11/70;
F24F 13/0254; F24F 13/08; F24F 13/081;
F24F 1/0007; F24F 1/0018; F24F
2110/00; F24F 2110/20; F24F 2120/20;
F24F 2130/10; F24F 2130/20; F24F
2221/34; F24F 5/0096

See application file for complete search history.

(56) **References Cited**

U.S. PATENT DOCUMENTS

D139,347 S *	11/1944	Duffner	D23/390
D521,631 S *	5/2006	Habensus	D23/388
D525,354 S *	7/2006	Nishizawa	D23/393
D558,325 S *	12/2007	Karnes	D23/393
D559,969 S *	1/2008	Hammock, Jr.	D23/388
D563,542 S *	3/2008	Wettergren	D23/388
D607,555 S *	1/2010	Nishizawa	D23/393
D617,890 S *	6/2010	Thomas	D23/393
D635,239 S *	3/2011	Liebson	D23/393
D669,571 S *	10/2012	Penlesky	D23/393
D700,370 S *	2/2014	Leonard	D23/393
D722,377 S *	2/2015	Schramski	D23/393
D791,300 S *	7/2017	van Dijk	D23/393
D791,301 S *	7/2017	van Dijk	D23/393
D796,662 S *	9/2017	Harman	D23/393
D796,663 S *	9/2017	Mitchell	D23/393
D804,643 S *	12/2017	Green	D23/393

* cited by examiner

Primary Examiner — Khawaja Anwar

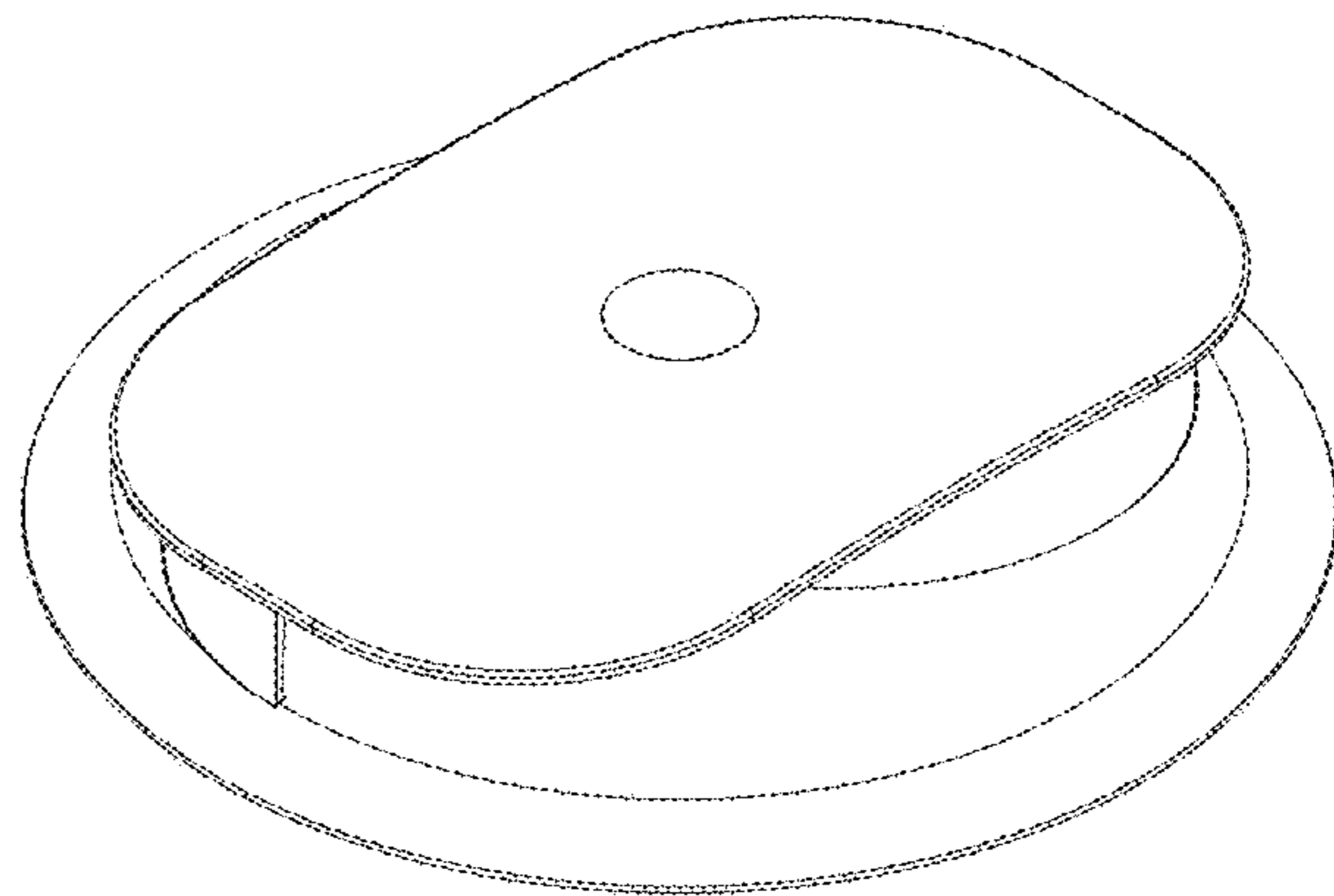
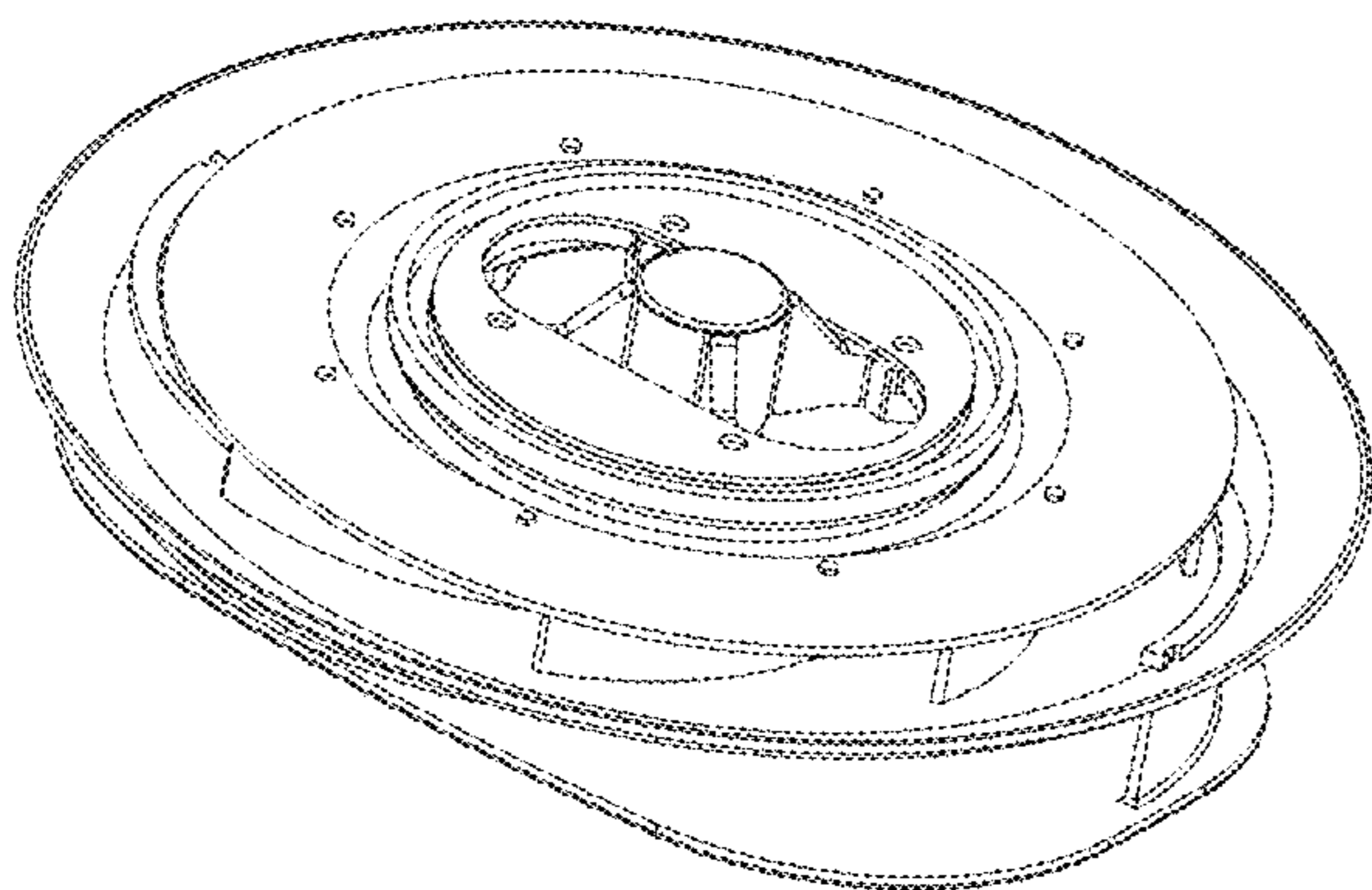
(57) **CLAIM**

The ornamental design for an air vent, as shown and described.

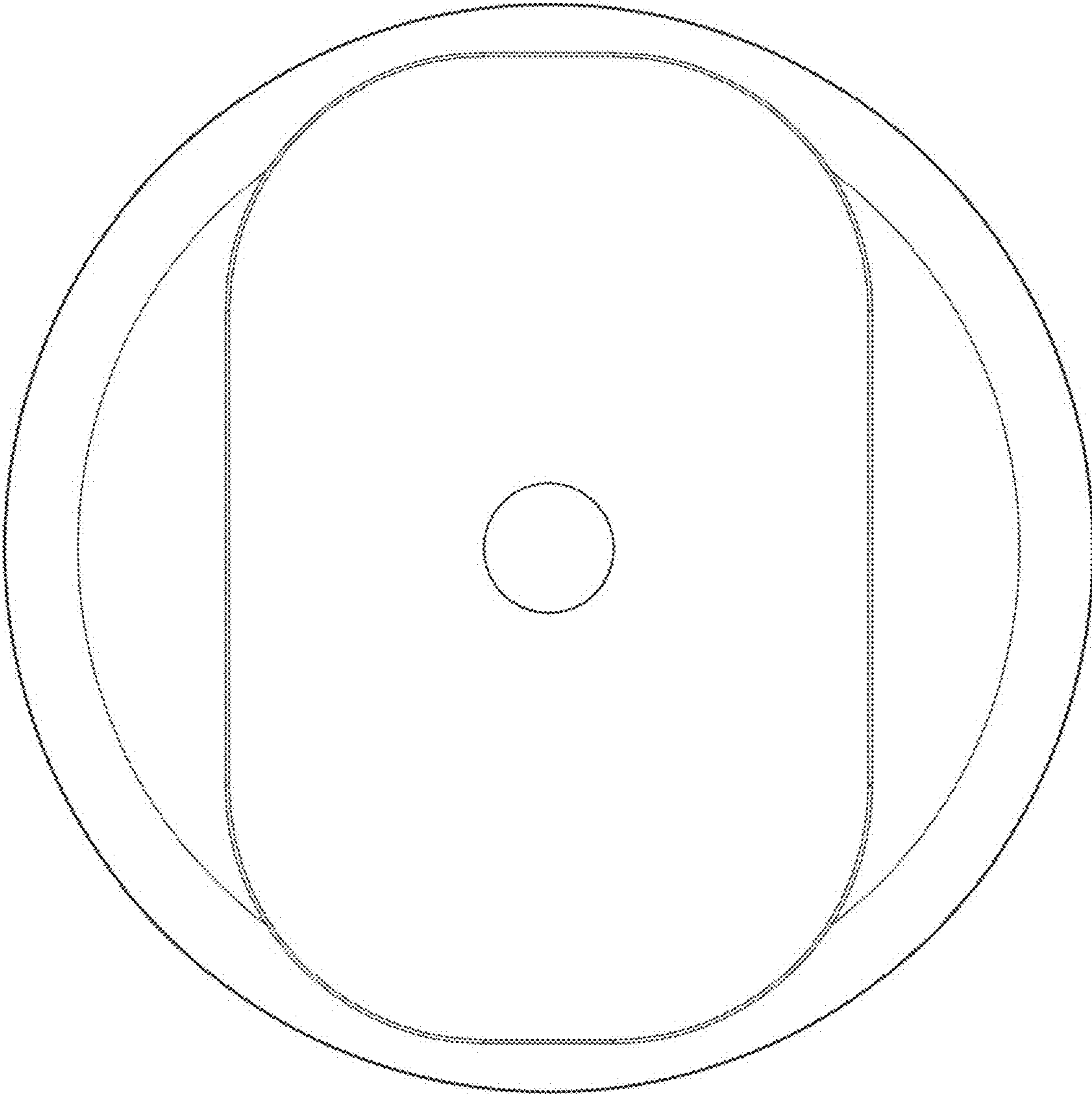
DESCRIPTION

- 1. Air vent
- 1.1 : Top
- 1.2 : Front
- 1.3 : Bottom
- 1.4 : Perspective
- 1.5 : Right
- 1.6 : Perspective

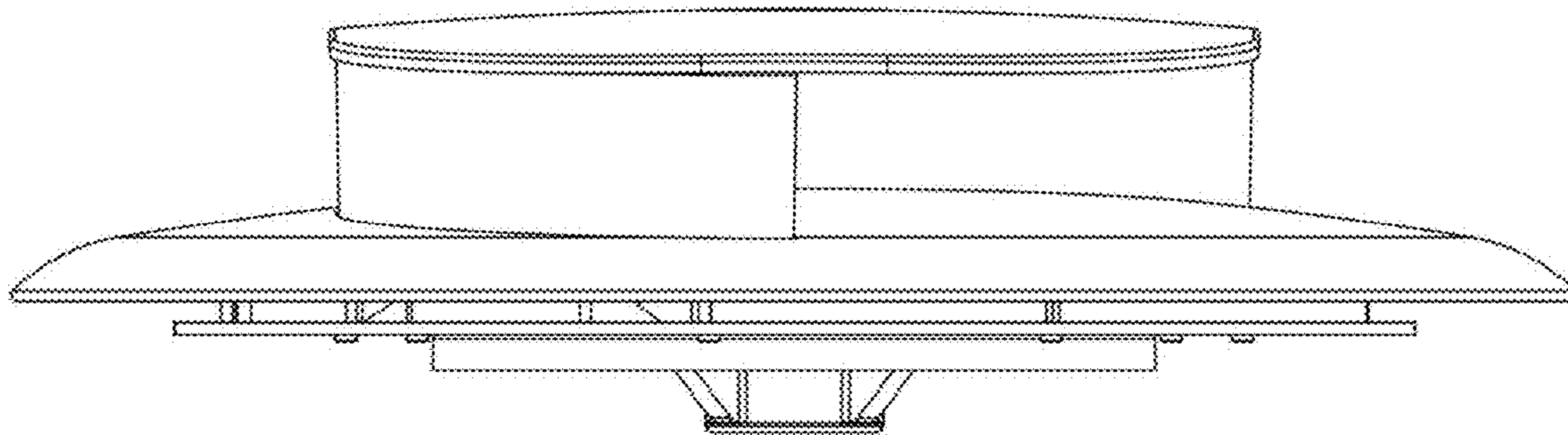
1 Claim, 6 Drawing Sheets



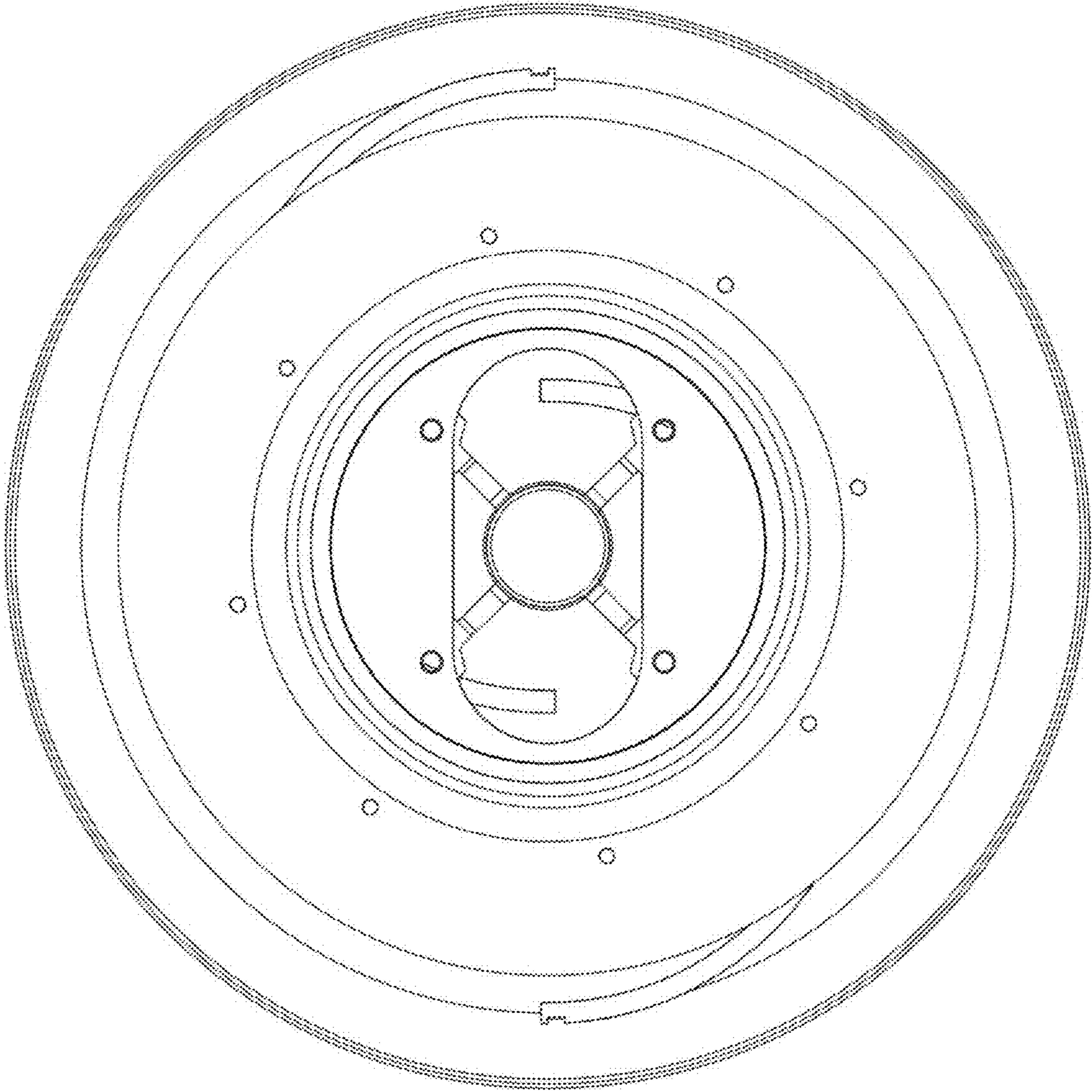
1.1



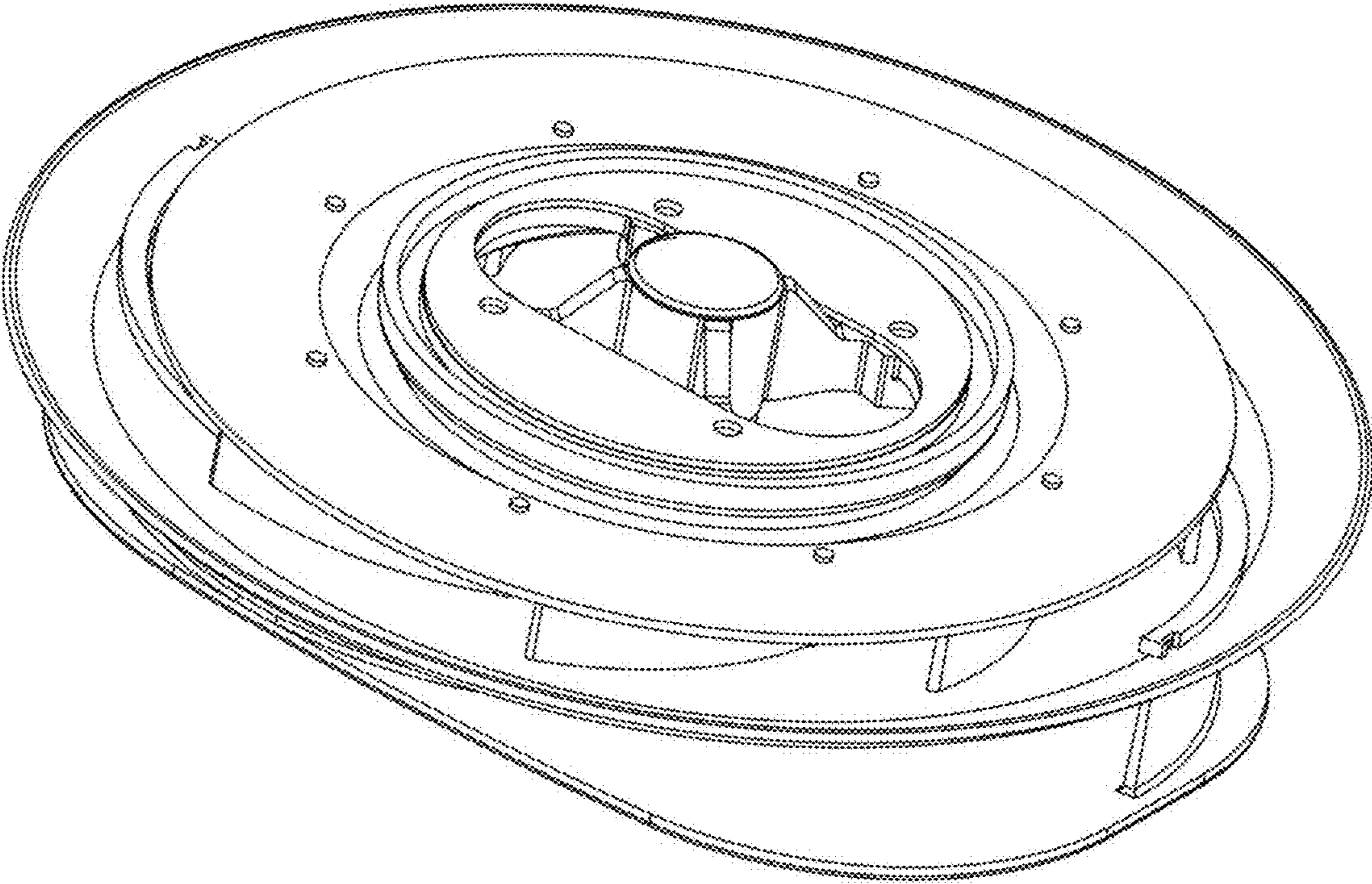
1.2



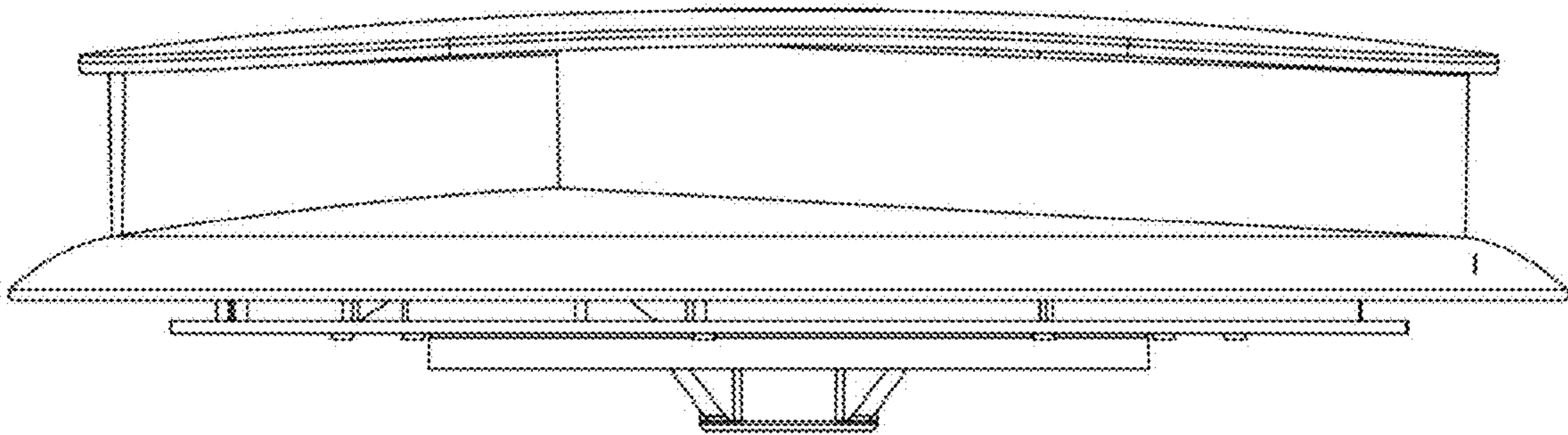
1.3



1.4



1.5



1.6

