



US00D857874S

(12) **United States Design Patent**  
**Hidalgo**

(10) **Patent No.:** **US D857,874 S**

(45) **Date of Patent:** **\*\* Aug. 27, 2019**

(54) **COMBINATION CEILING FAN AND LIGHT  
FIXTURE**

(71) Applicant: **Minka Lighting, Inc.**, Corona, CA  
(US)

(72) Inventor: **Rolando Hidalgo**, Yorba Linda, CA  
(US)

(73) Assignee: **Minka Lighting, Inc.**, Corona, CA  
(US)

(\*\*) Term: **15 Years**

(21) Appl. No.: **29/625,663**

(22) Filed: **Nov. 10, 2017**

(51) **LOC (12) Cl.** ..... **23-04**

(52) **U.S. Cl.**  
USPC ..... **D23/377**; D26/59

(58) **Field of Classification Search**  
USPC ..... D23/370–385, 411–414; D26/59; D15/7  
CPC ..... F04D 25/088; F21V 33/0096  
See application file for complete search history.

(56) **References Cited**

**U.S. PATENT DOCUMENTS**

D90,063 S *	6/1933	Dasher .....	D23/377
D345,790 S *	4/1994	Caldwell .....	D23/377
D389,566 S *	1/1998	Jaspers-Fayer .....	D23/377
D424,188 S *	5/2000	Liu .....	D23/377
D453,216 S *	1/2002	Gajewski .....	D23/377
D594,542 S *	6/2009	Pan .....	D23/377
D635,237 S *	3/2011	Fizer .....	D23/377
D715,917 S *	10/2014	Hidalgo .....	D23/377
D726,298 S *	4/2015	Busta .....	D23/411
D728,775 S *	5/2015	Gajewski .....	D23/411
D745,956 S *	12/2015	Ertze .....	D23/385
D745,959 S *	12/2015	Ertze .....	D23/411
D747,452 S *	1/2016	Gajewski .....	D23/377
D778,422 S *	2/2017	Gajewski .....	D23/377
D788,283 S *	5/2017	Busta .....	D23/377

D801,515 S *	10/2017	Wang .....	D23/411
D802,114 S *	11/2017	Busta .....	D23/377
D805,623 S *	12/2017	Haggar .....	D23/377
D808,513 S *	1/2018	Gajewski .....	D23/411
D810,917 S *	2/2018	Holmes .....	D23/377
D810,920 S *	2/2018	Haggar .....	D23/377
D814,622 S *	4/2018	Gajewski .....	D23/377
D820,431 S *	6/2018	Ertze .....	D23/411
2010/0278637 A1 *	11/2010	Oleson .....	F04D 25/088 415/121.3

**OTHER PUBLICATIONS**

Savoy House Ceiling Fan Model 56-870 amazon.com 5 pgs. Date First Available Jun. 24, 2013. [Retrieved Jan. 12, 2018]. <https://www.amazon.com/Savoy-House-56-870-3GR-242-3-Blade-Ceiling/dp/B00DSU1A6C>.

(Continued)

*Primary Examiner* — Cathron C Brooks

*Assistant Examiner* — Sharon S Oum

(74) *Attorney, Agent, or Firm* — Seyfarth Shaw LLP

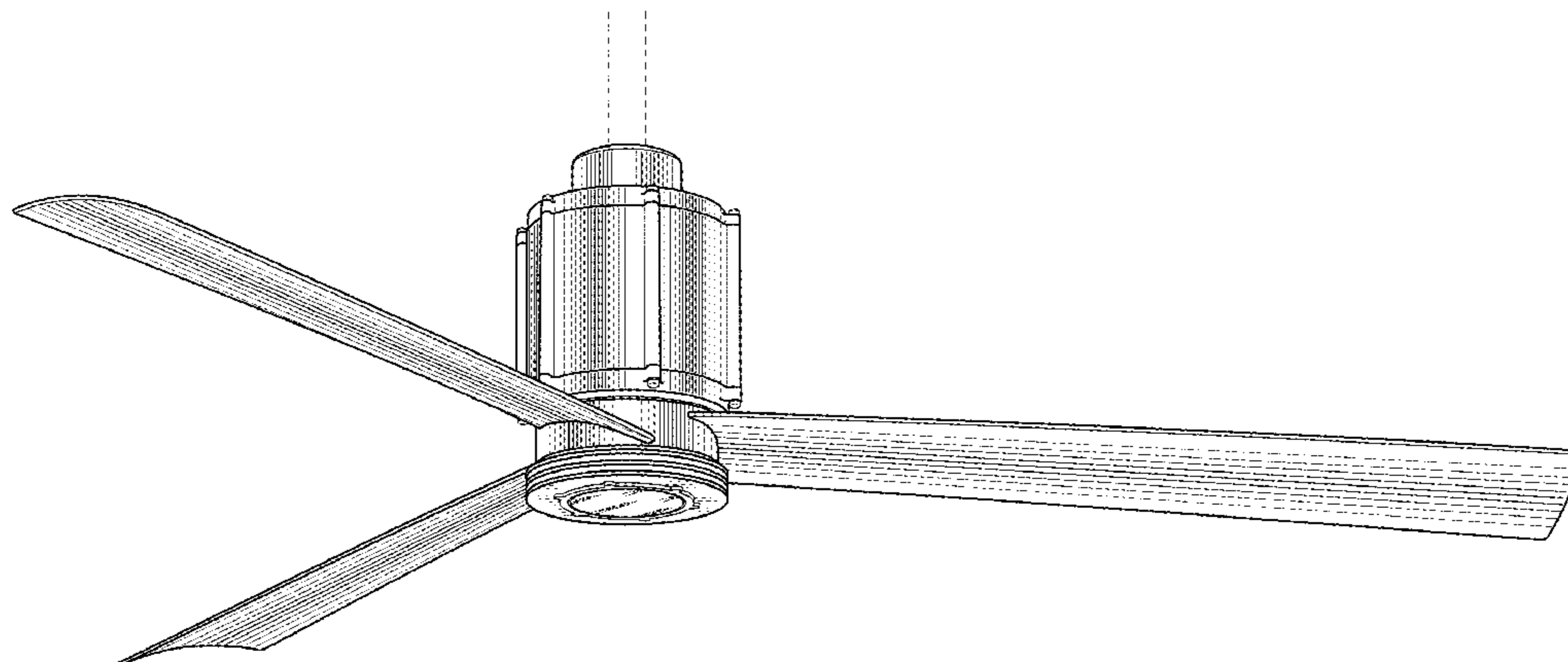
(57) **CLAIM**

The ornamental design for a combination ceiling fan and light fixture, as shown and described.

**DESCRIPTION**

FIG. 1 is a perspective view of a combination ceiling fan and light fixture in accordance with my design; FIG. 2 is a top plan view thereof; FIG. 3 is a bottom plan view thereof; FIG. 4 is a front elevation view thereof; FIG. 5 is a rear elevation view thereof; FIG. 6 is a left-side elevation view thereof; and, FIG. 7 is a right-side elevation view thereof. The broken lines in the drawings illustrate portions of the ceiling fan that form no part of the claimed design. The lighter and closely spaced lines in the drawings are surface shading and are not surface ornamentation.

**1 Claim, 5 Drawing Sheets**



(56)

**References Cited**

OTHER PUBLICATIONS

Craftmade Ceiling Fan Model K11067 amazon.com 7 pgs. Date First Available Aug. 20, 2014. [Retrieved Jan. 12, 2018]. <https://www.amazon.com/Craftmade-K11067-Ceiling-Acrylic-Integrated/dp/B00MW1RH2Y>.

Craftmade Ceiling Fan Model 5BO52EBD. amazon.com 5 pgs. Date First Available Feb. 23, 2017. [Retrieved Jan. 12, 2018]. <https://www.amazon.com/Craftmade-SON52CH-70GW-Ceiling-BSON-70GW-Dimmable/dp/B06WWCCD1T>.

\* cited by examiner

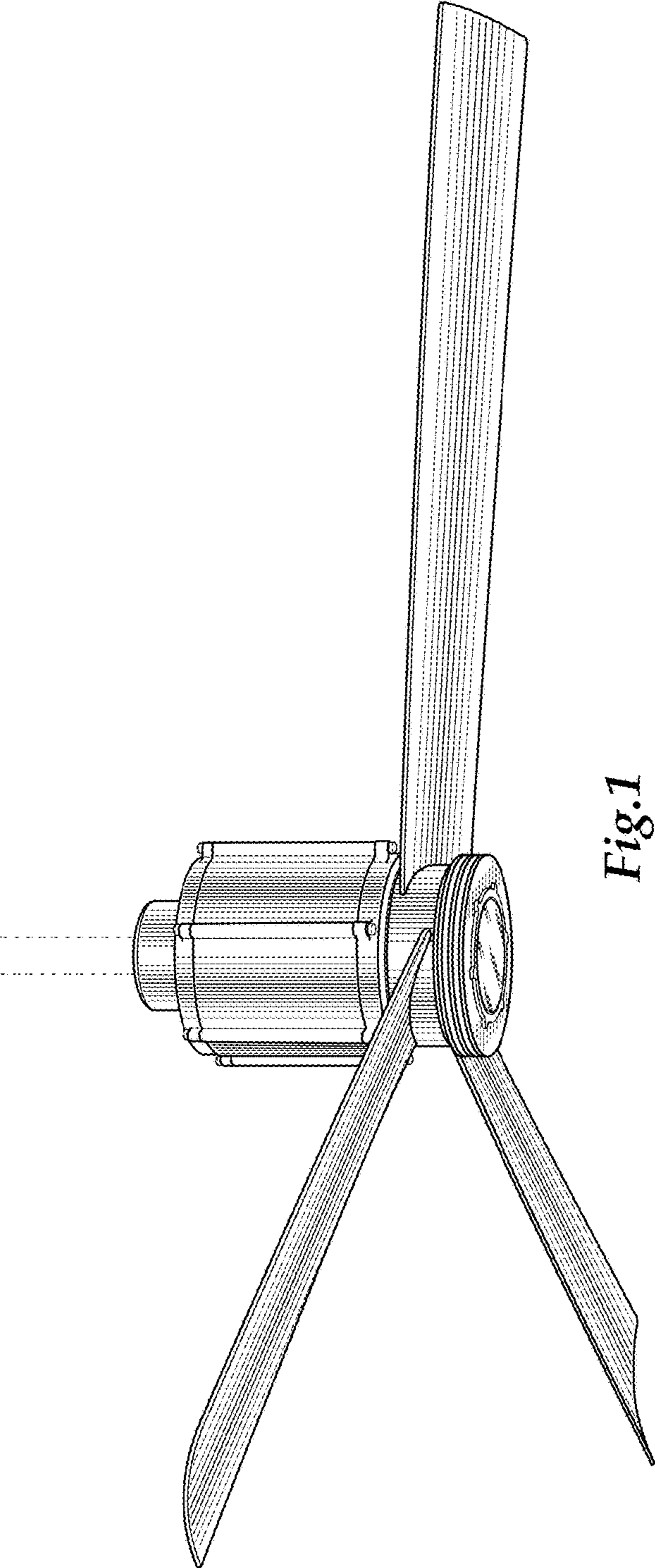
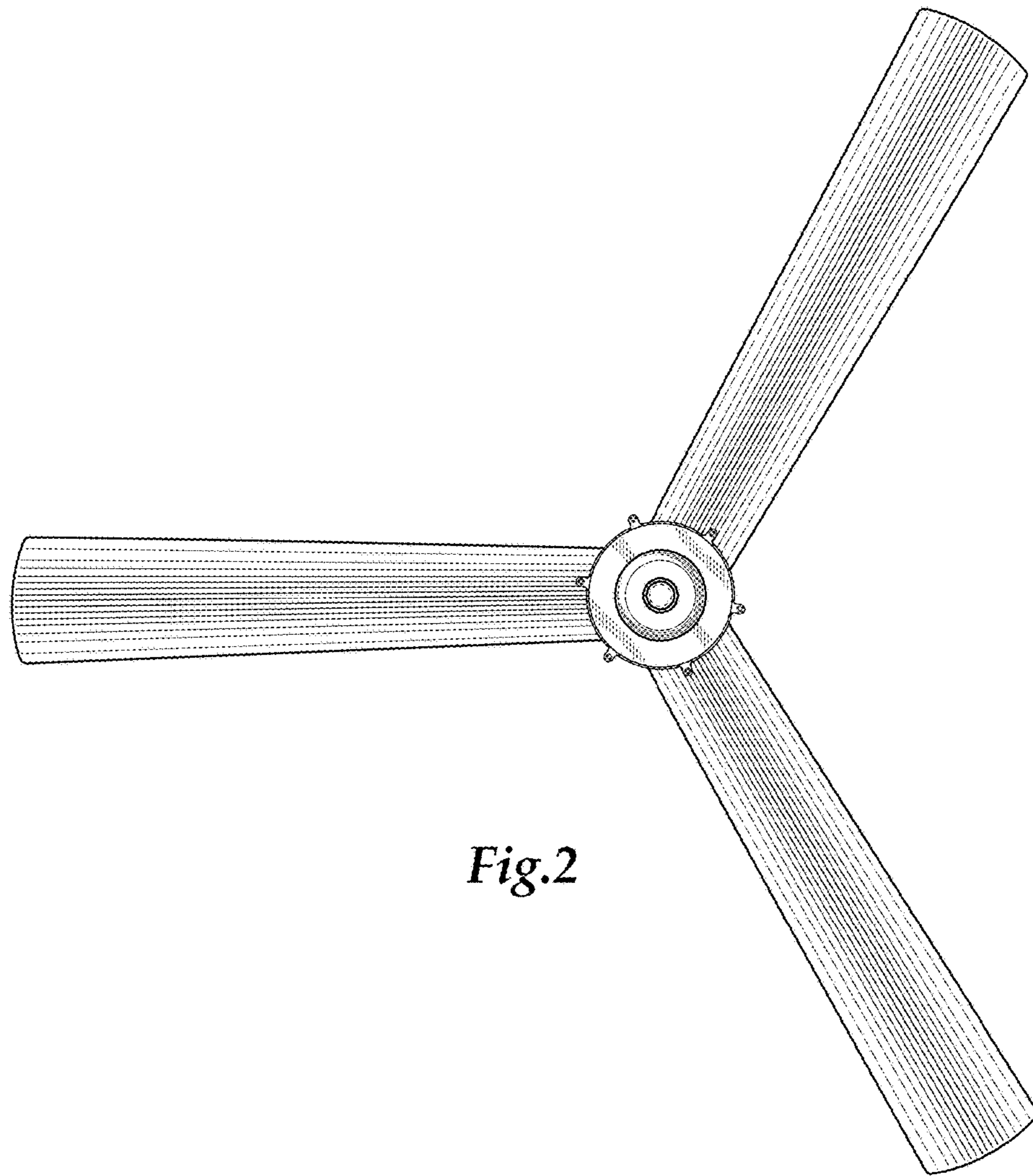
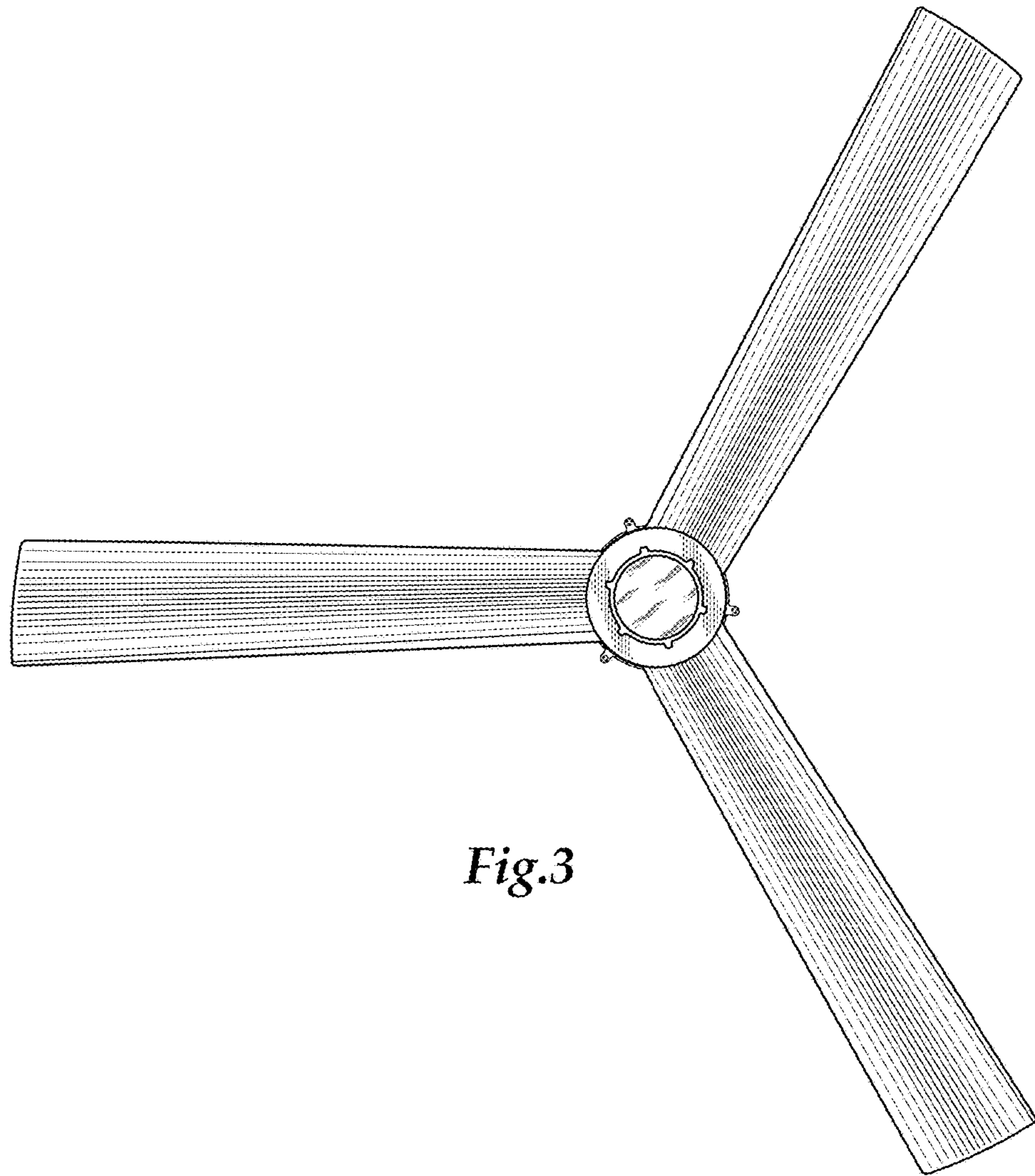


Fig.1

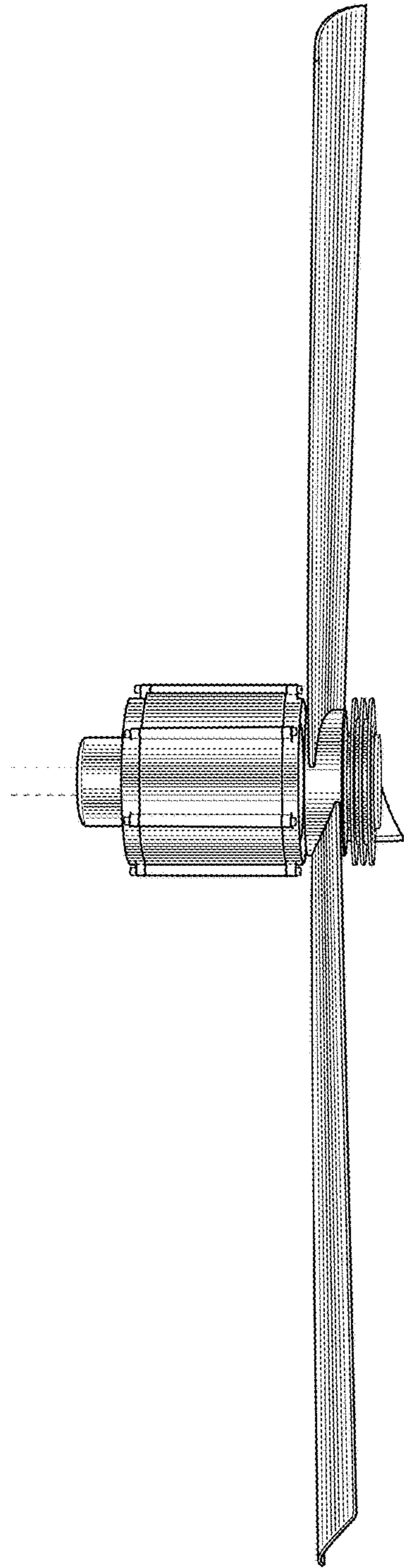


*Fig.2*

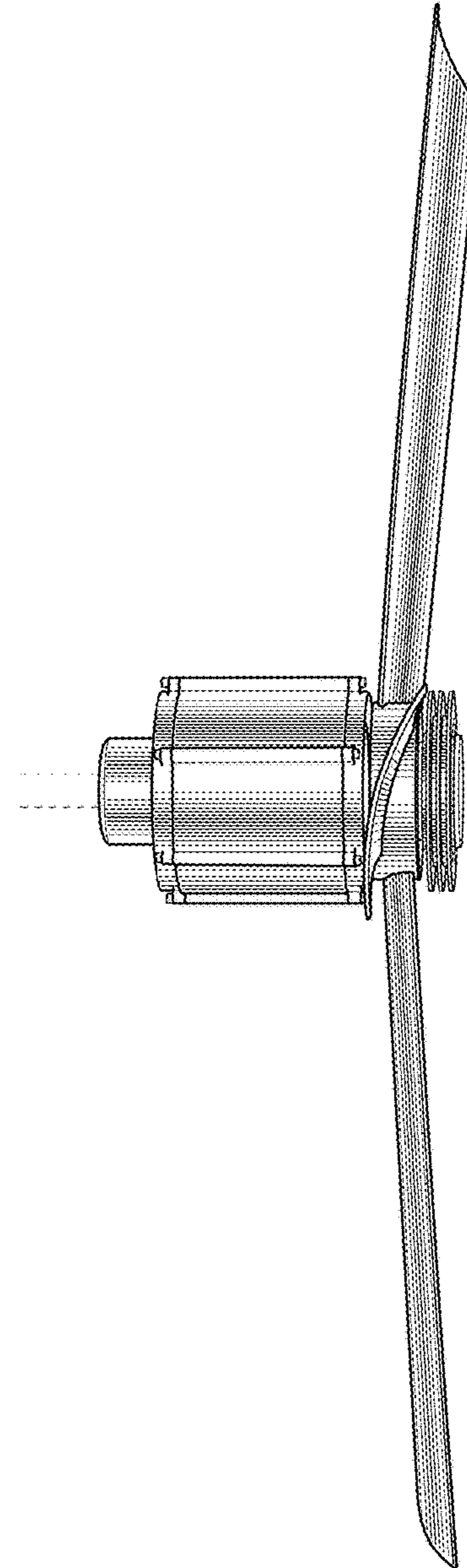




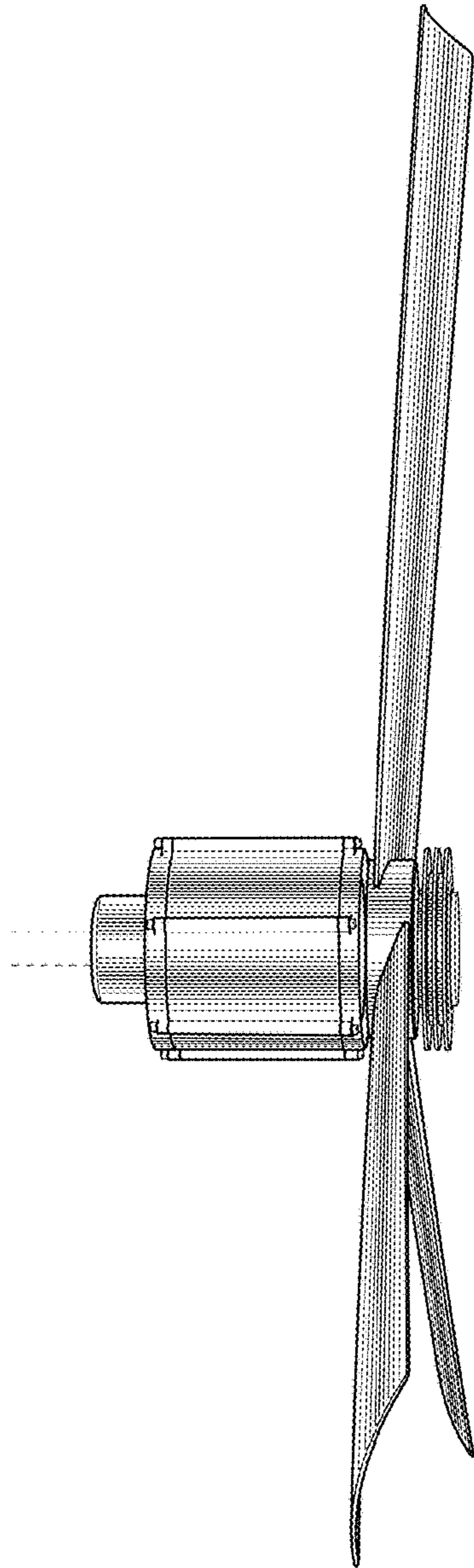
*Fig.3*



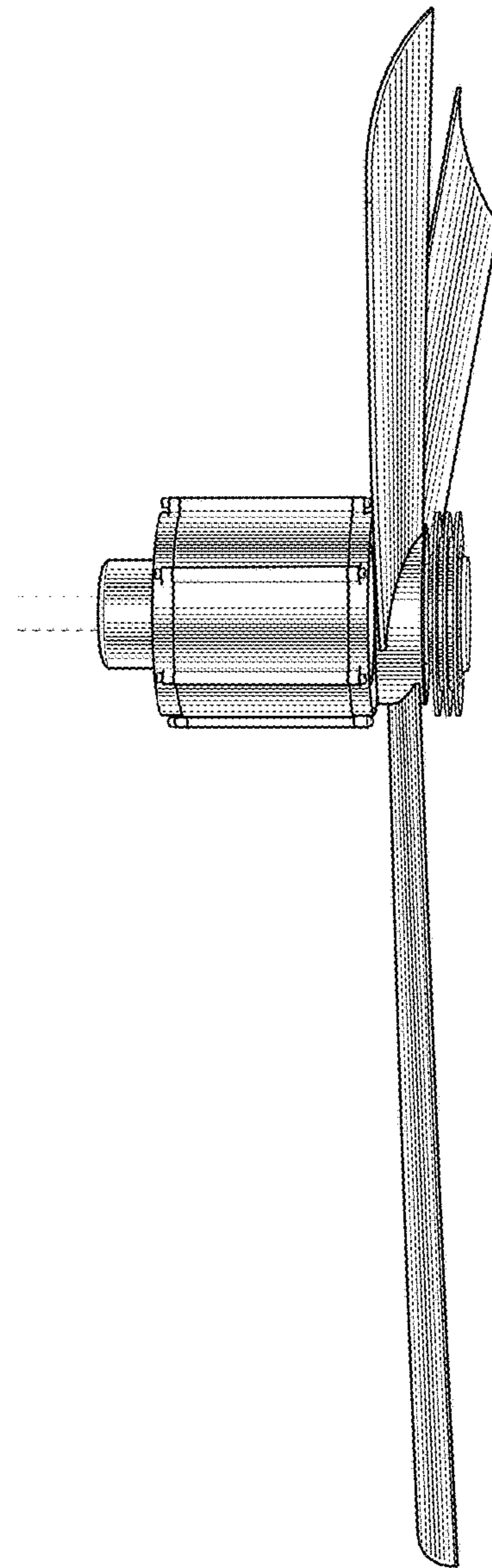
*Fig. 4*



*Fig. 5*



*Fig. 6*



*Fig. 7*