



US00D857873S

(12) **United States Design Patent** (10) **Patent No.:** **US D857,873 S**
Shimada et al. (45) **Date of Patent:** **** Aug. 27, 2019**

(54) **CEILING VENTILATION FAN**
(71) Applicant: **Panasonic Intellectual Property Management Co., Ltd., Osaka (JP)**
(72) Inventors: **Yashio Shimada, Osaka (JP); Nobuyuki Mase, Nara (JP)**
(73) Assignee: **Panasonic Intellectual Property Management Co., Ltd., Osaka (JP)**
(**) Term: **15 Years**

D617,441 S * 6/2010 Koury D23/385
D617,889 S * 6/2010 Miyake D23/385
D623,721 S * 9/2010 Reynoso D23/213
D685,347 S * 7/2013 Szymanski D14/214
8,485,696 B2 * 7/2013 Pringle E04B 9/02
362/228
8,720,966 B2 * 5/2014 Stein B60R 13/02
296/1.08
D713,951 S * 9/2014 Jepson D23/388
D725,624 S * 3/2015 Carney D14/140
D754,319 S * 4/2016 Park D23/385
D763,422 S * 8/2016 Ueno D23/351
D767,748 S * 9/2016 Nakai D23/388

(Continued)

(21) Appl. No.: **29/638,997**
(22) Filed: **Mar. 2, 2018**
(51) **LOC (12) Cl.** **23-04**
(52) **U.S. Cl.**
USPC **D23/371; D23/385**
(58) **Field of Classification Search**
USPC D23/351, 352, 354, 370, 371, 373-375,
D23/379, 381, 385, 386-389, 393,
D23/411-414; D14/172, 214
CPC F24F 13/078; F24F 7/007; F24F 7/065;
F24F 2221/14; F24F 2013/205; F21V
33/0096; F21V 33/0088; F04D 29/626;
F04D 29/4226
See application file for complete search history.

FOREIGN PATENT DOCUMENTS

JP D1346297 12/2008
Primary Examiner — Cathron C Brooks
Assistant Examiner — Sharon S Oum
(74) *Attorney, Agent, or Firm* — Panasonic IP Management; Kerry S. Culpepper

(57) **CLAIM**

We claim the ornamental design for a ceiling ventilation fan, as shown and described.

DESCRIPTION

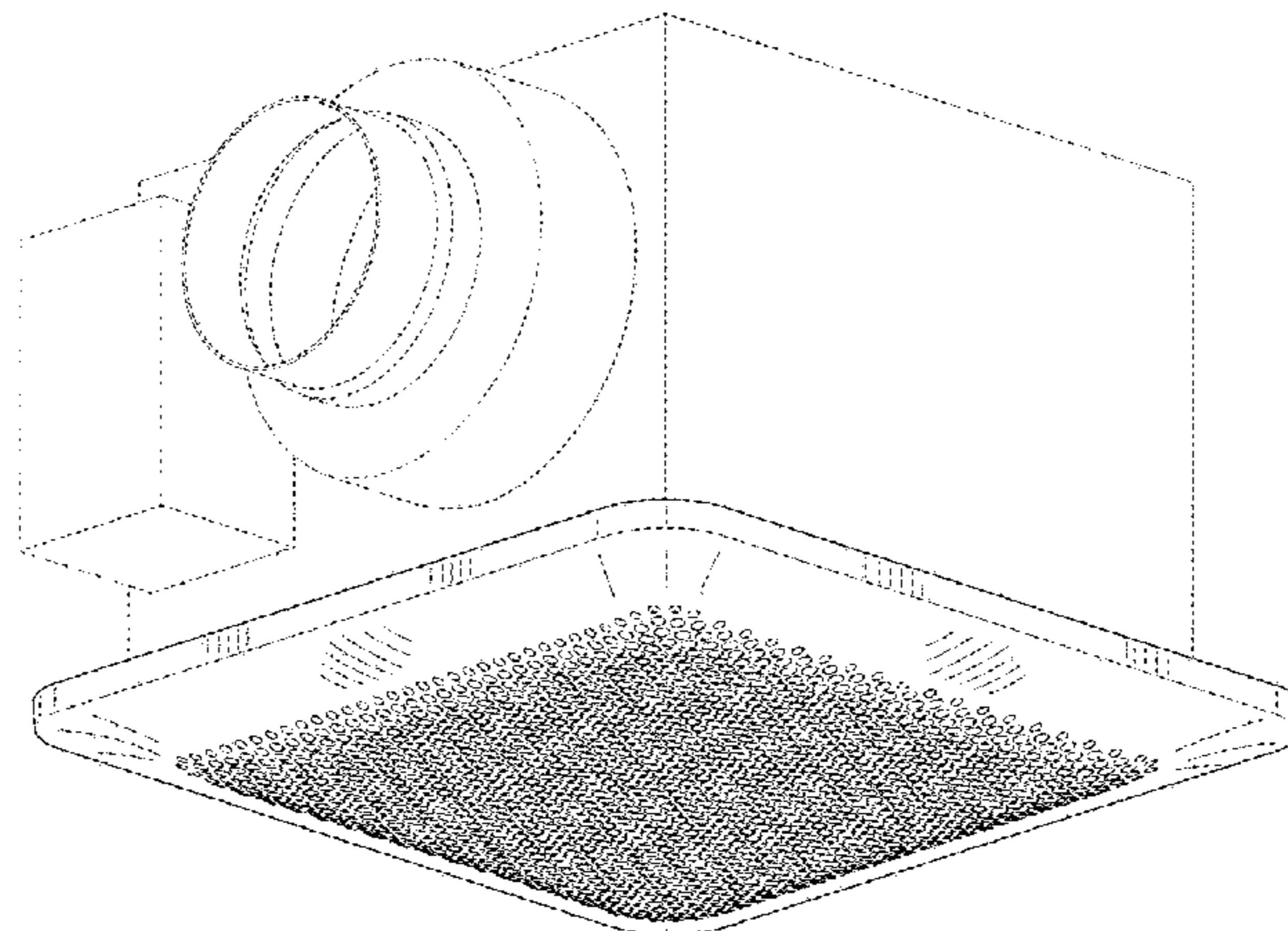
FIG. 1 is a front perspective view of a ceiling ventilation fan of the present invention;
FIG. 2 is a front view thereof;
FIG. 3 is a rear view thereof;
FIG. 4 is a left side view thereof;
FIG. 5 is a right side view thereof;
FIG. 6 is a top view thereof;
FIG. 7 is a bottom view thereof; and,
FIG. 8 is a cross-sectional view thereof, taken along the line 8-8 in FIG. 2.

The broken lines illustrate portions of the ceiling ventilation fan and form no part of the claimed design.

1 Claim, 8 Drawing Sheets

(56) **References Cited**
U.S. PATENT DOCUMENTS

D394,101 S * 5/1998 Hayashi D23/370
D416,315 S * 11/1999 Nanjo D23/351
D426,292 S * 6/2000 Nanjo D23/351
D433,116 S * 10/2000 Han D23/393
D448,462 S * 9/2001 Nanjo D23/351
D541,927 S * 5/2007 Yamanaka D23/388
D577,431 S * 9/2008 Miyake D23/385
D581,510 S * 11/2008 Albano D23/388
D581,517 S * 11/2008 Koury D23/412
D589,605 S * 3/2009 Reedy D23/388
D595,402 S * 6/2009 Miyake D23/385



(56)

References Cited

U.S. PATENT DOCUMENTS

D777,897	S	*	1/2017	Rizzi	D23/354
D784,299	S	*	4/2017	Cho	D14/209
D784,512	S	*	4/2017	Jonas	D23/388
D799,018	S	*	10/2017	Kim	D23/366
D799,686	S	*	10/2017	Liu	D23/412
D808,001	S	*	1/2018	Berkman	D23/371
D816,206	S	*	4/2018	Jonas	D23/385
D824,365	S	*	7/2018	Vogt, Jr.	D14/214
D833,667	S	*	11/2018	Bao	D26/89

* cited by examiner

FIG. 1

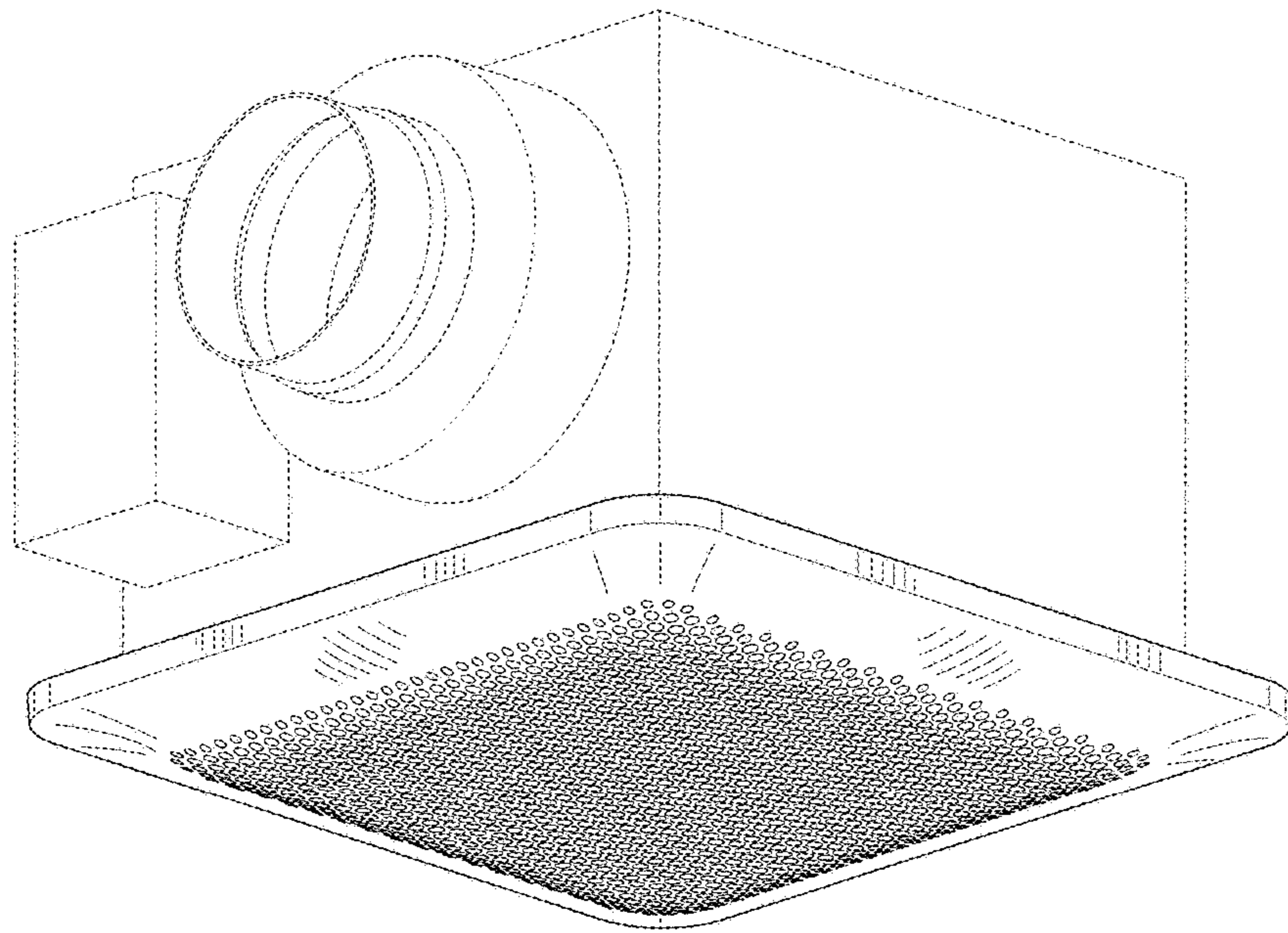


FIG. 2

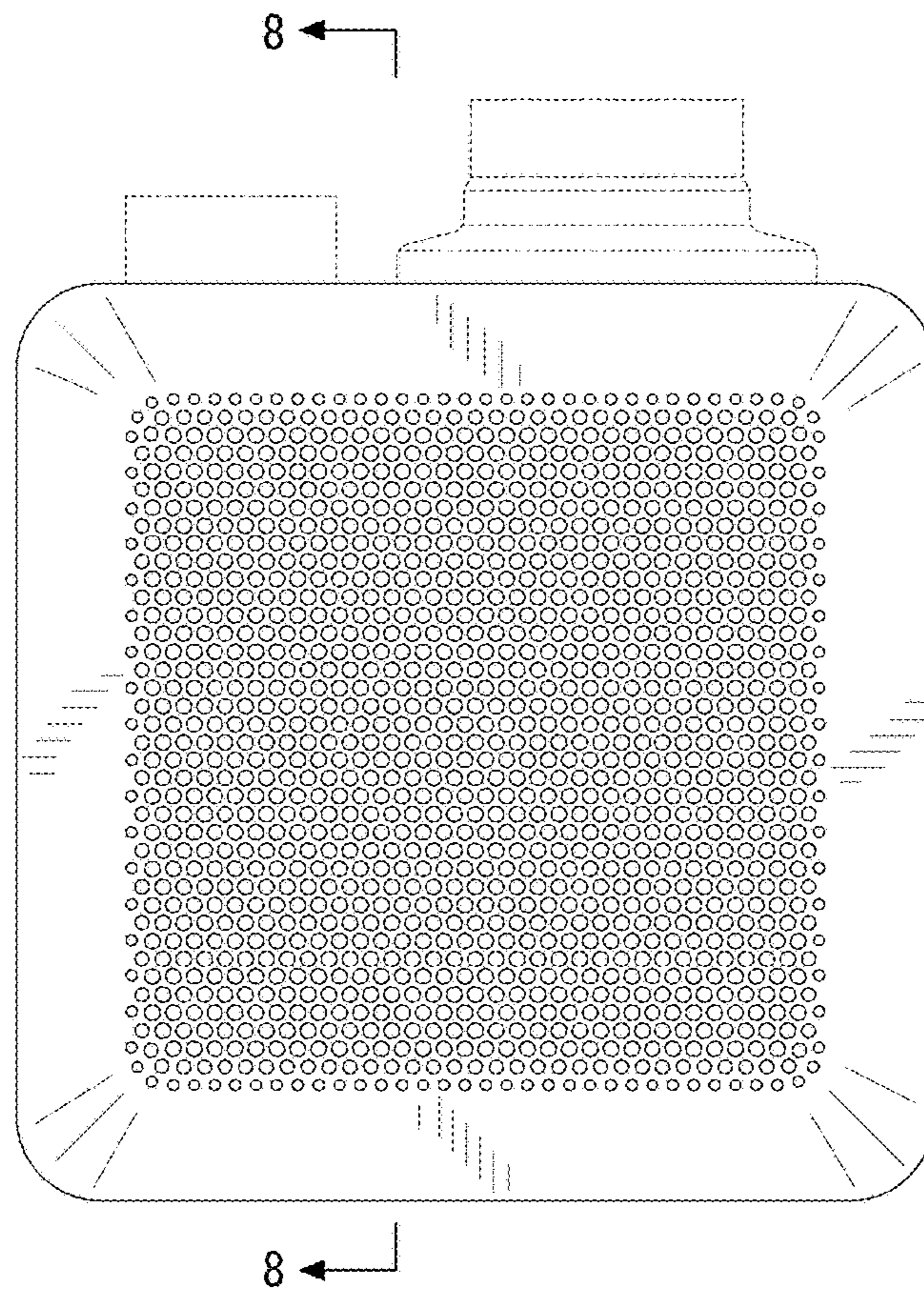


FIG. 3

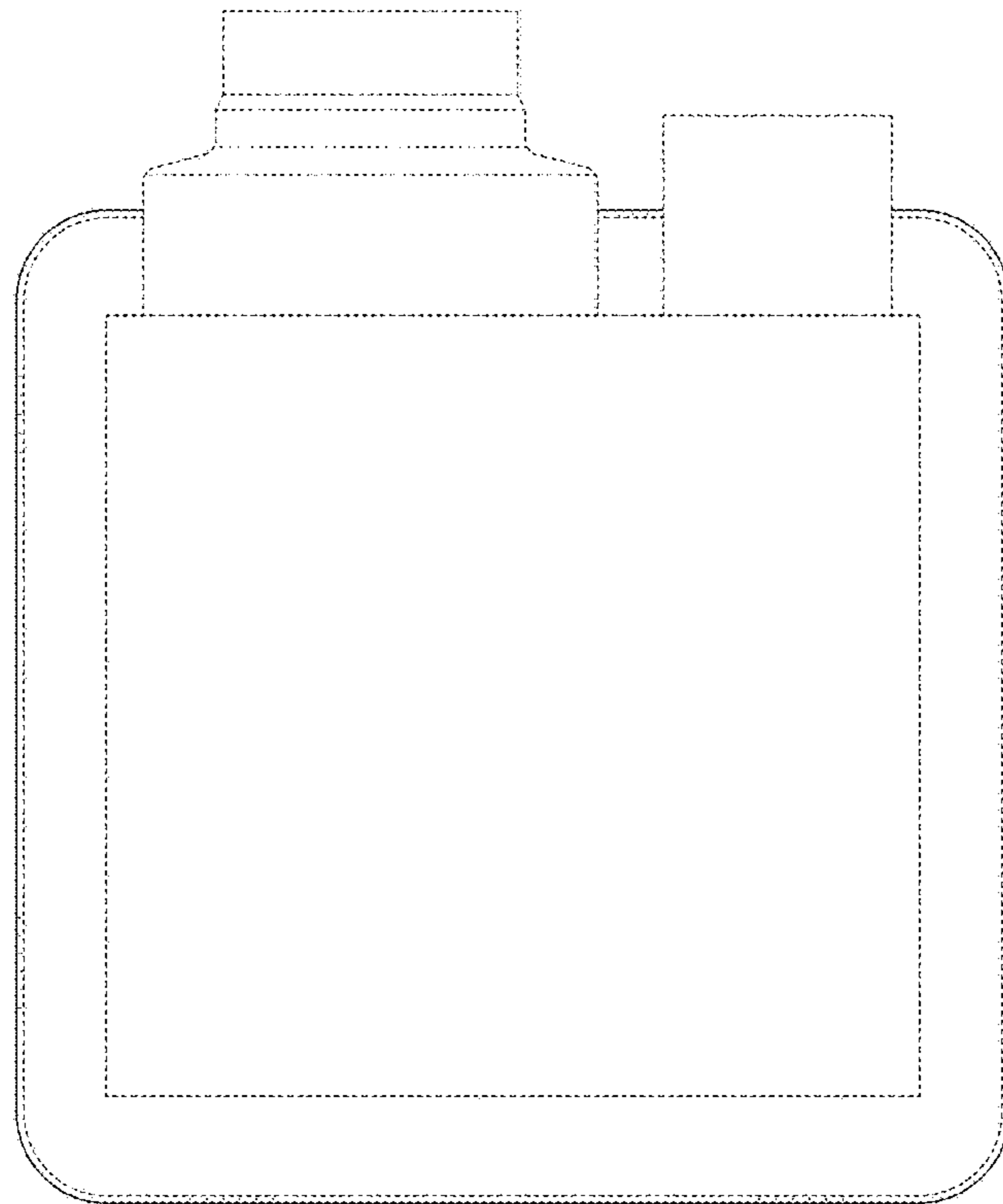


FIG. 4

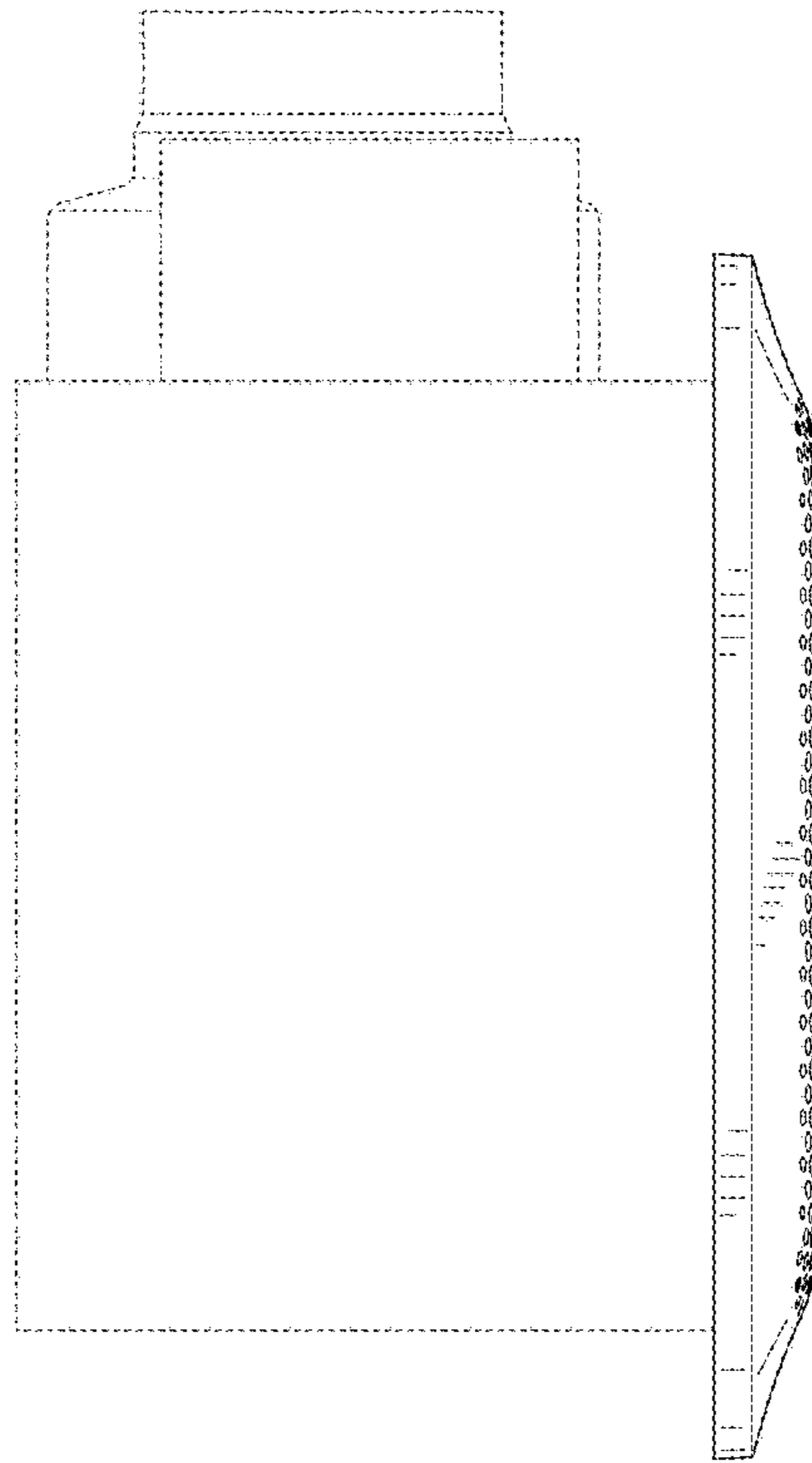


FIG. 5

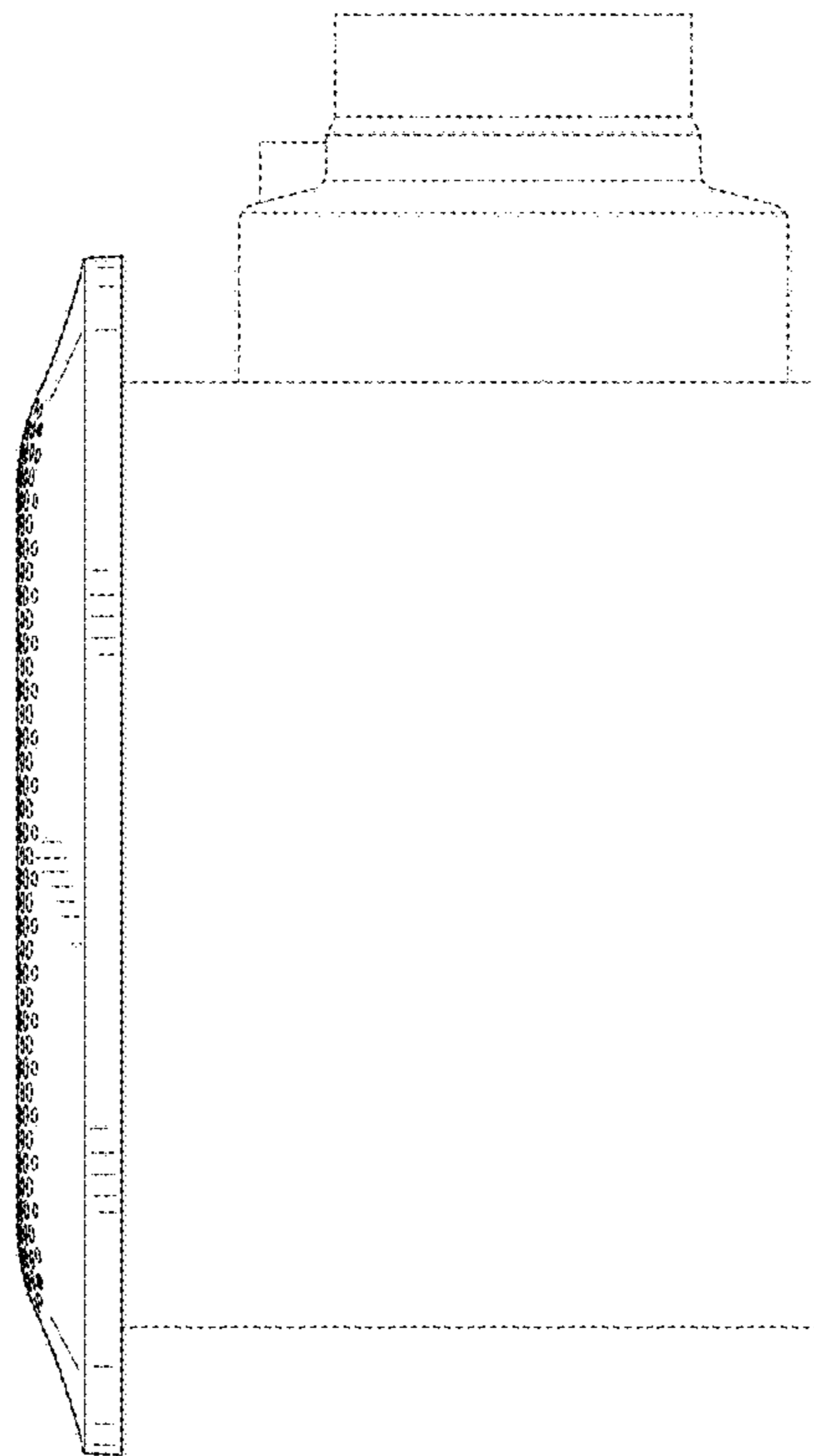


FIG. 6

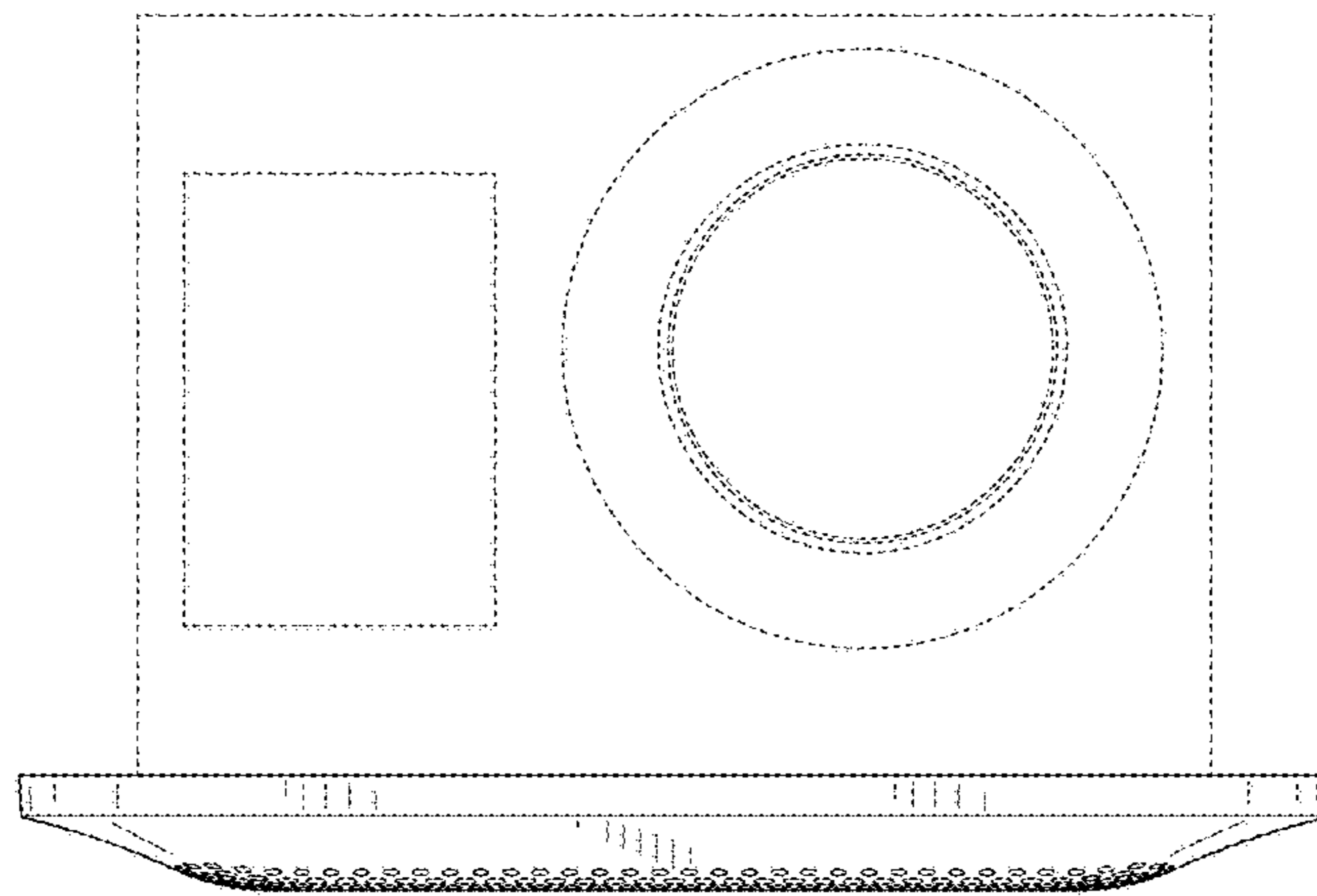


FIG. 7



FIG. 8

