



US00D857871S

(12) **United States Design Patent** (10) **Patent No.:** **US D857,871 S**
Shah et al. (45) **Date of Patent:** **** Aug. 27, 2019**

(54) **SCENT DIFFUSER**
(71) Applicant: **Trackmind Solutions LLC**, New Brunswick, NJ (US)
(72) Inventors: **Siddharth Shah**, Freehold, NJ (US); **Michael E. Bobev**, Kendall Park, NJ (US)
(73) Assignee: **Trackmind Solutions LLC**, New Brunswick, NJ (US)
(**) Term: **15 Years**

2,438,129 A 3/1948 Rich
2,738,224 A 3/1956 Turner et al.
2,738,225 A 3/1956 Meek
2,763,395 A 9/1956 Meek
D225,009 S 10/1972 Buhren
3,797,982 A 3/1974 Borrello
4,094,639 A 6/1978 McMillan
4,165,835 A 8/1979 Dearling
D288,714 S 3/1987 Wilson et al.
4,674,270 A 6/1987 Tonus
D411,294 S 6/1999 Gutmann
D449,371 S 10/2001 Bornstein et al.
D451,183 S 11/2001 Hirano et al.
6,398,127 B1 6/2002 Wingo
D507,341 S 7/2005 Taylor

(Continued)

(21) Appl. No.: **29/661,123**
(22) Filed: **Aug. 24, 2018**

Primary Examiner — Sandra S Snapp
(74) *Attorney, Agent, or Firm* — Lerner, David, Littenberg, Krumholz & Mentlik, LLP

Related U.S. Application Data

(60) Continuation of application No. 29/599,271, filed on Mar. 31, 2017, now Pat. No. Des. 828,533, which is a division of application No. 29/527,137, filed on May 15, 2015, now Pat. No. Des. 788,280.

(51) **LOC (12) Cl.** **28-99**
(52) **U.S. Cl.**
USPC **D23/366**

(58) **Field of Classification Search**
USPC D23/355–369; D28/5, 6; 261/DIG. 17, 261/DIG. 42, DIG. 47, DIG. 55, DIG. 65, 261/DIG. 70, DIG. 88, DIG. 89; 392/386, 392/389, 394, 395, 403; 239/34, 44, 45, 239/53, 56
CPC ... A61L 9/02; A61L 9/03; A61L 9/034; A61L 9/04; A61L 9/12; A61L 9/032; A61L 9/122; A61L 9/127; A61L 9/22

See application file for complete search history.

(56) **References Cited**

U.S. PATENT DOCUMENTS

1,016,648 A 2/1912 Snell
1,344,318 A 6/1920 Slye et al.

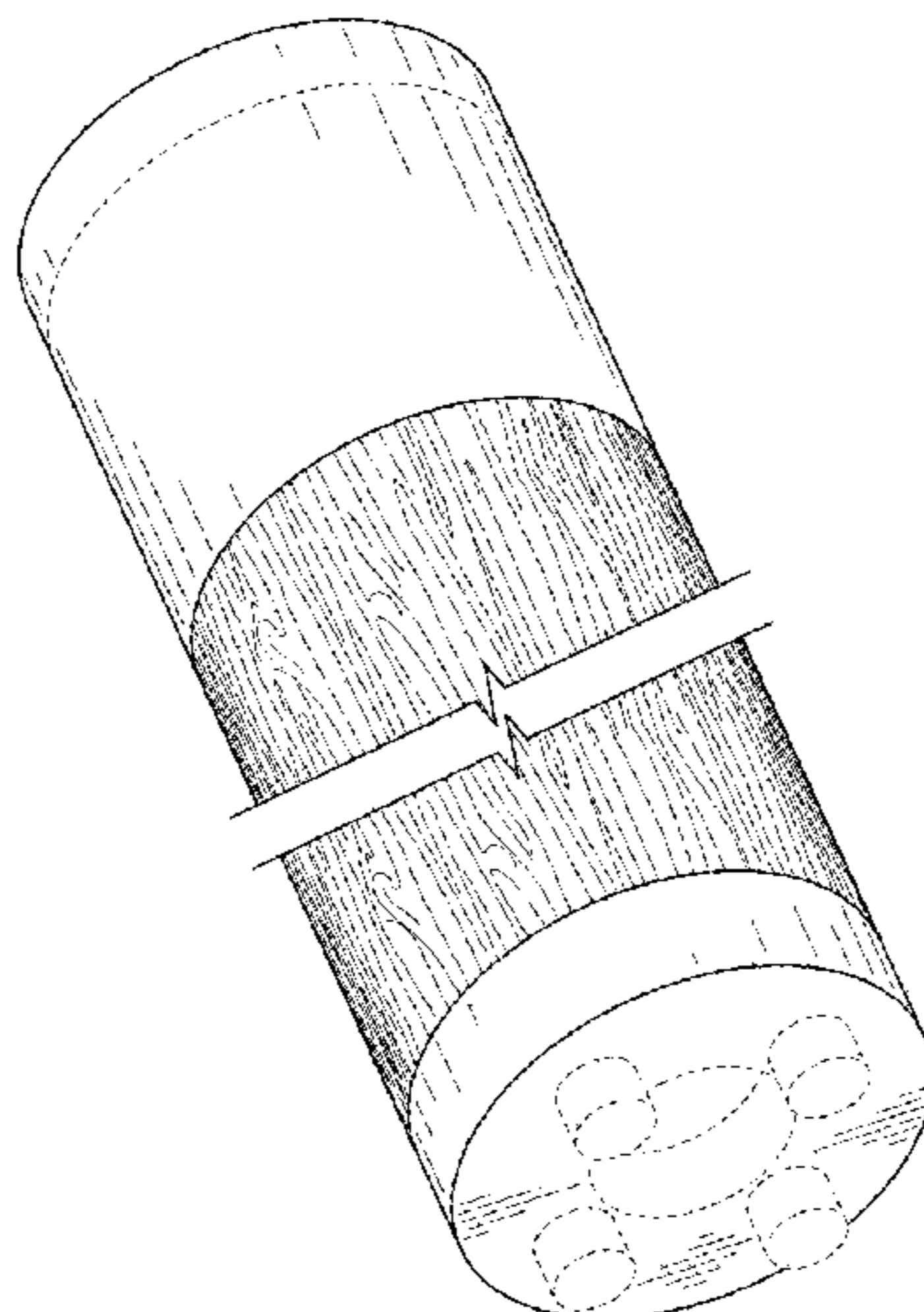
(57) **CLAIM**

The ornamental design for a scent diffuser, as shown and described.

DESCRIPTION

FIG. 1 is a front perspective view of a scent diffuser according to our design; FIG. 2 is a front elevation view thereof, the back, right and left elevation views being identical thereto; FIG. 3 is a top elevation view thereof; and, FIG. 4 is a bottom elevation view thereof. Broken lines are for environmental purposes only and form no part of the claimed design. Symbolic break lines having a jagged element show that no particular length of the portion is claimed, such lines and any portion of the article between such lines form no part of the claimed design. In FIGS. 1 and 2, wherein a wood inlay is generally shown, the specific wood grain pattern depicted in these figures is for illustrative purposes only.

1 Claim, 2 Drawing Sheets



(56)

References Cited

U.S. PATENT DOCUMENTS

D515,685 S	2/2006	Ribbing et al.	D703,804 S	4/2014	Nuzzi, Jr.	
D527,448 S	8/2006	Ku	D706,915 S	6/2014	Suzuki	
D581,506 S	11/2008	Kelnhofer	8,781,306 B2	7/2014	Hatten	
D582,533 S	12/2008	Bodine	D716,432 S	10/2014	Viala et al.	
D607,985 S	1/2010	Roller	D726,027 S	4/2015	Holbrook et al.	
D625,852 S	10/2010	Franklin	D726,894 S	4/2015	Thau	
D625,853 S	10/2010	Franklin	D726,895 S	4/2015	Takatsuka et al.	
D625,854 S	10/2010	Franklin	D733,097 S	6/2015	Grismer et al.	
D625,855 S	10/2010	Franklin	D744,541 S	12/2015	Langhammer et al.	
D625,856 S	10/2010	Franklin	D752,732 S	3/2016	Ansley et al.	
D631,579 S	1/2011	Franklin	D764,042 S	8/2016	Servaire	
D631,580 S	1/2011	Franklin	D788,897 S	6/2017	Lee	
D631,581 S	1/2011	Franklin	D801,509 S	10/2017	Weening et al.	
D634,416 S	3/2011	Abbondanzio et al.	D810,265 S *	2/2018	Chen	D23/366
D634,417 S	3/2011	Abbondanzio et al.	D810,266 S *	2/2018	Li	D23/366
D634,832 S	3/2011	Abbondanzio et al.	D828,533 S *	9/2018	Shah	D23/366
D643,088 S	8/2011	McDaniel et al.	D834,694 S *	11/2018	Walter	D23/366
D643,915 S	8/2011	Endo et al.	D836,189 S *	12/2018	Jakins	D23/366
			D840,528 S *	2/2019	Laumond	D23/366
			2007/0044793 A1	3/2007	Kleinstreuer et al.	

* cited by examiner

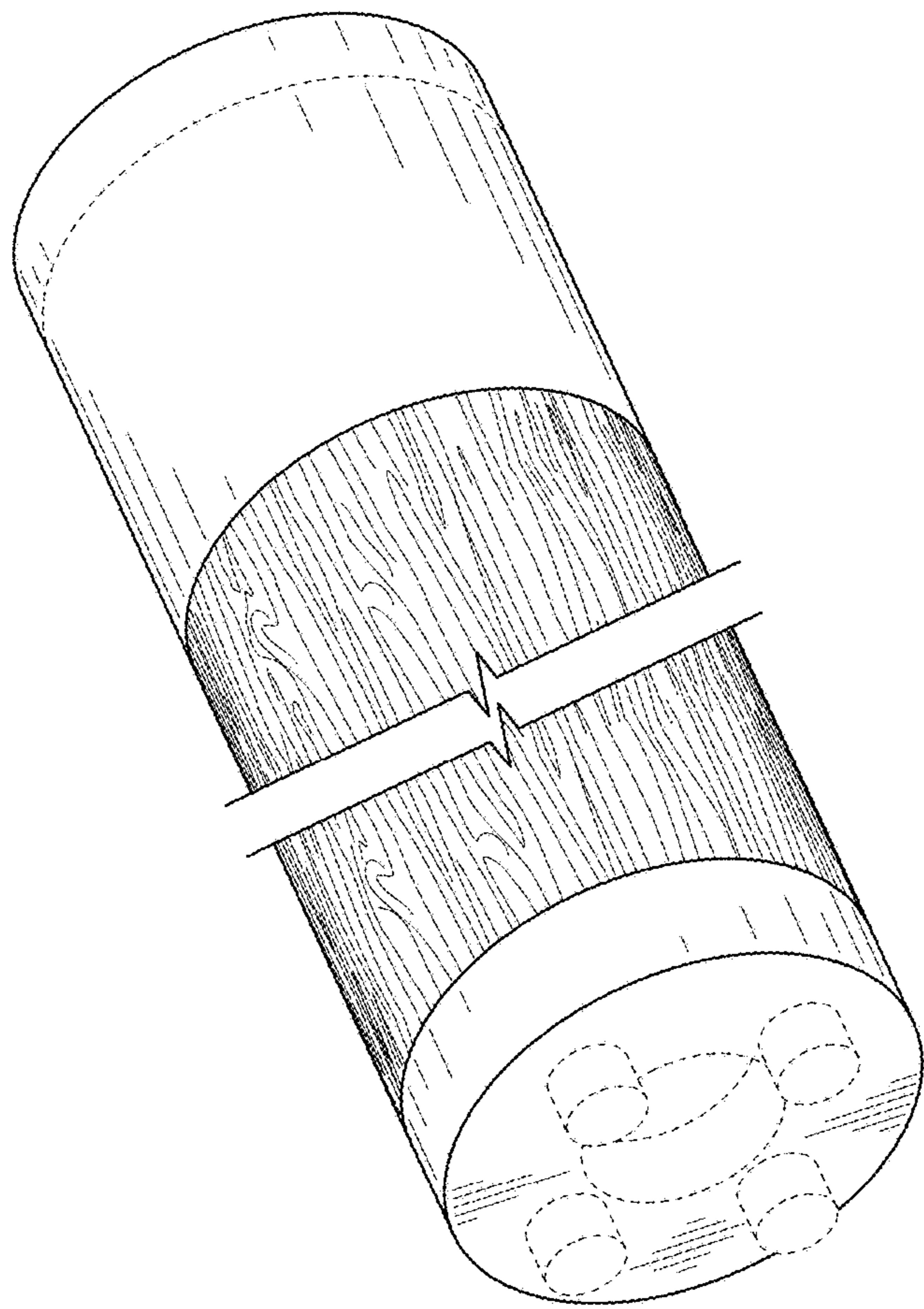


FIG. 1

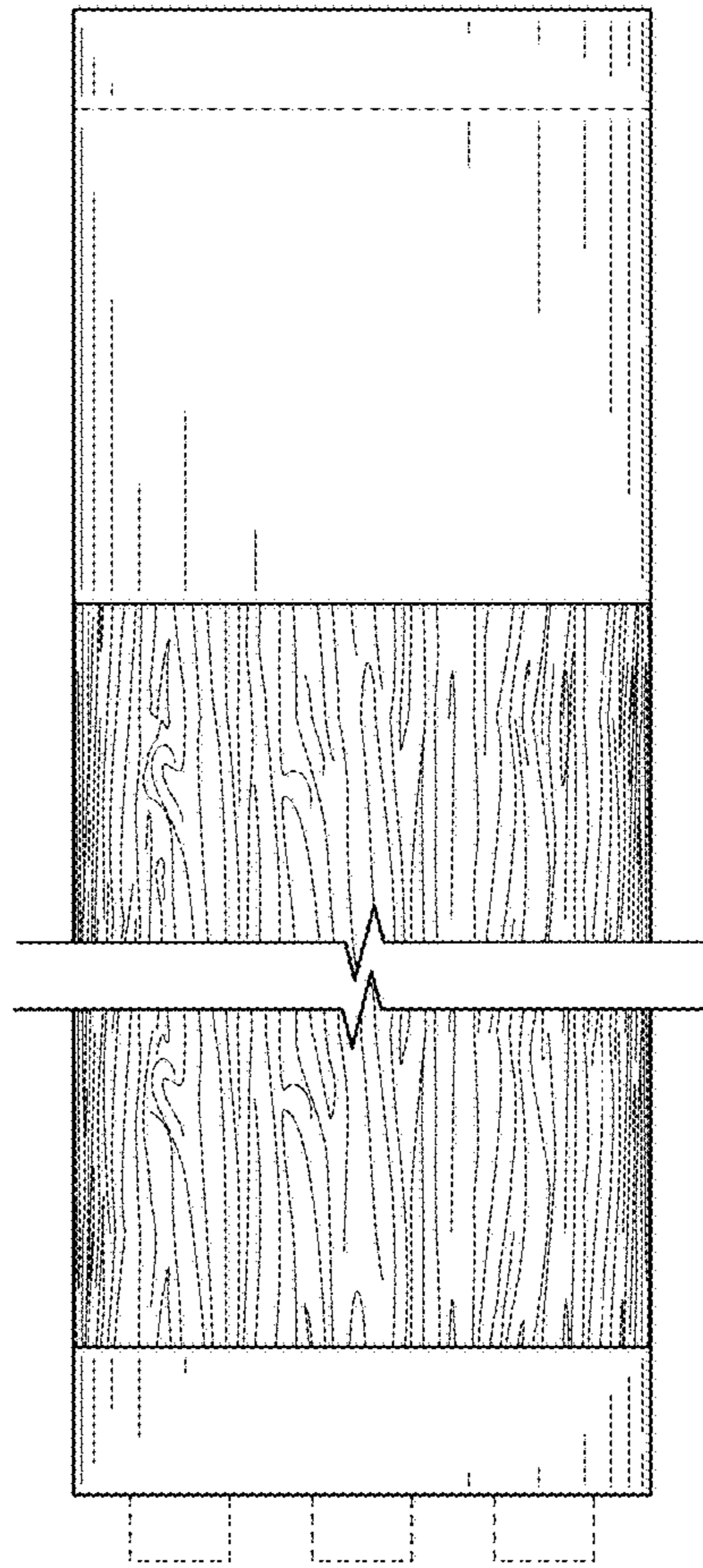


FIG. 2

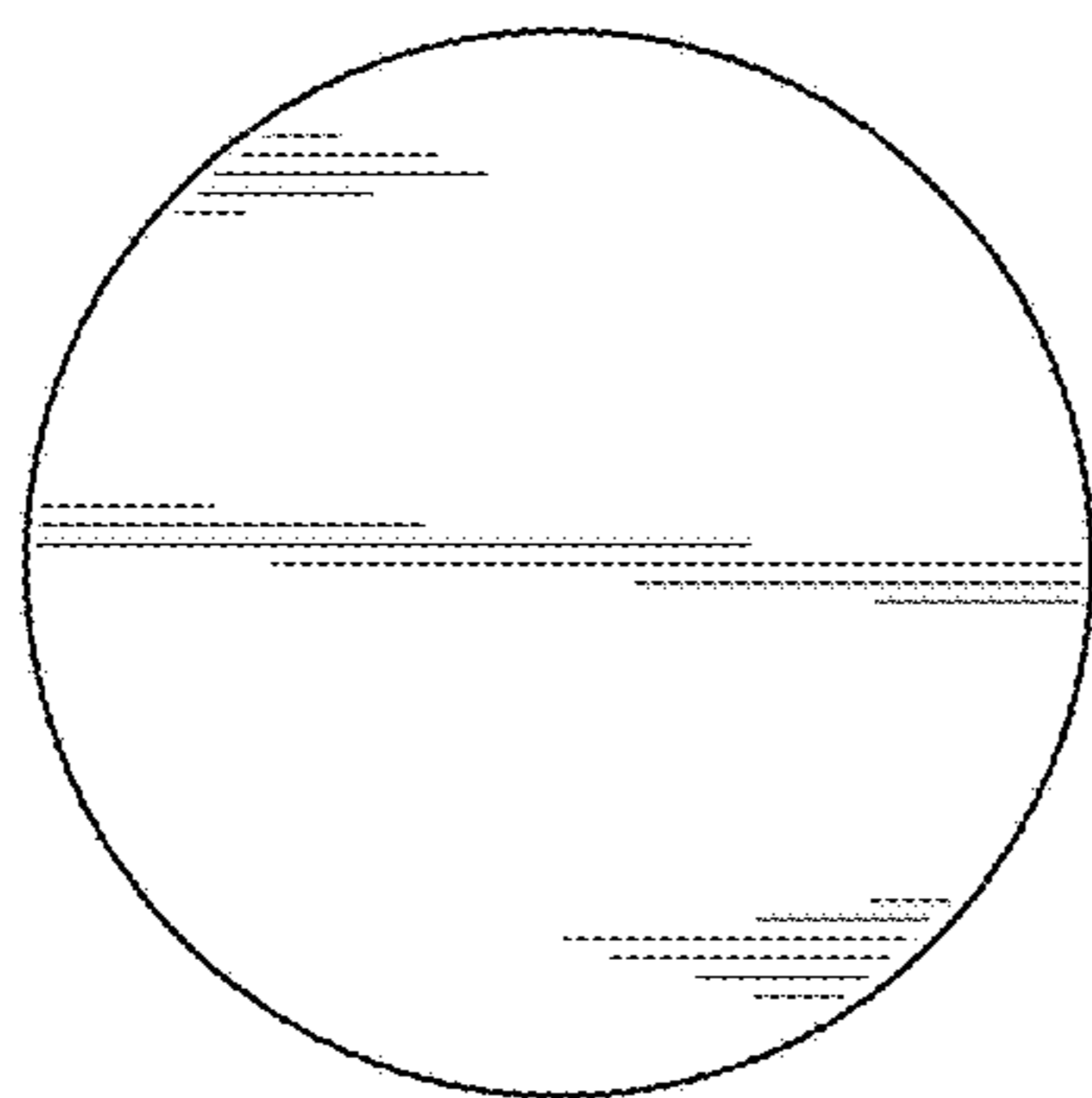


FIG. 3

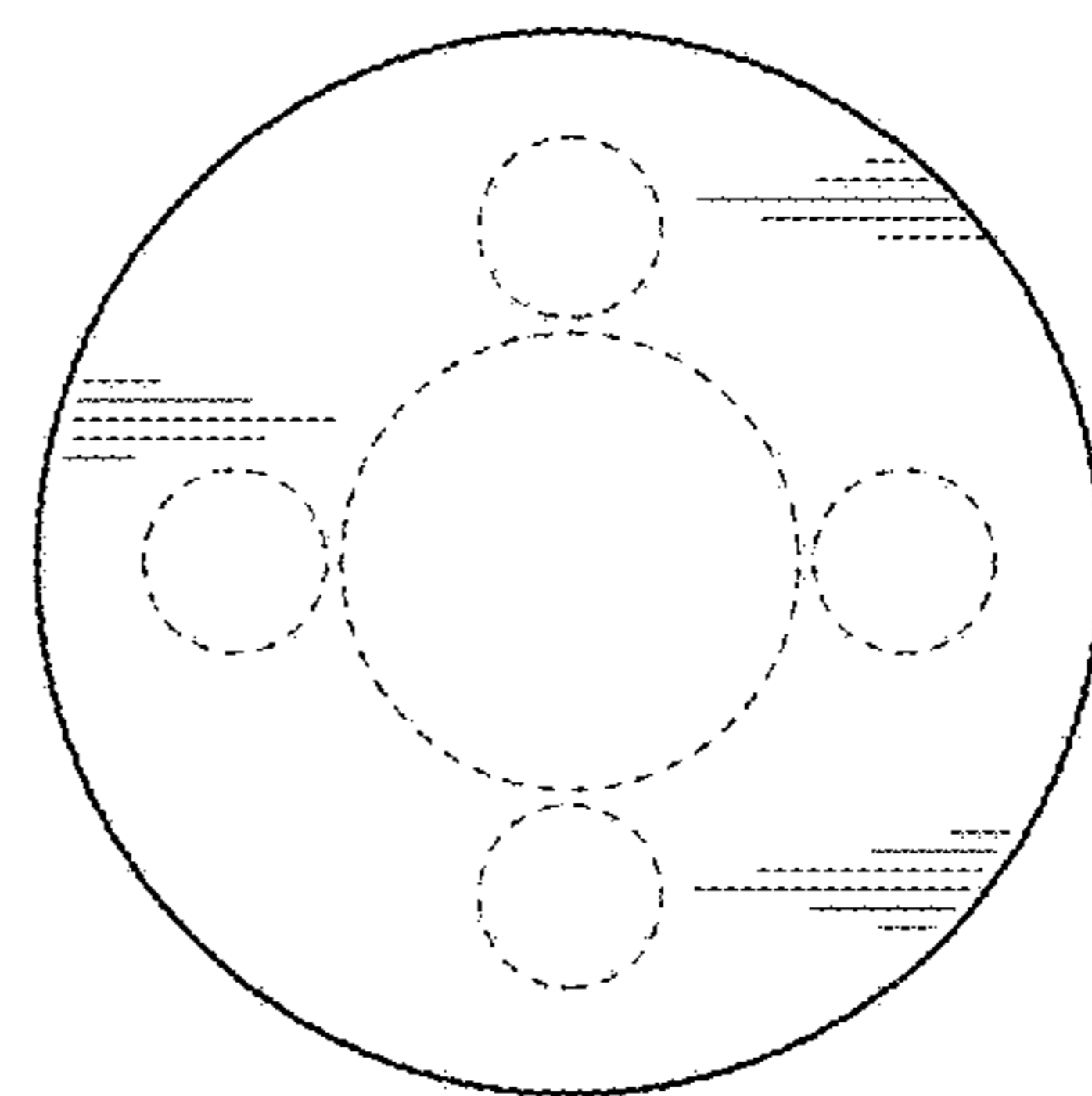


FIG. 4