



US00D857870S

(12) **United States Design Patent** (10) **Patent No.:** **US D857,870 S**  
**Yang et al.** (45) **Date of Patent:** **\*\* Aug. 27, 2019**

(54) **AROMA DIFFUSER**

OTHER PUBLICATIONS

(71) Applicant: **ETEK CITY CORPORATION**,  
Anaheim, CA (US)

AURA-Smart Essential Oil Diffuser found online [Nov. 19, 2018] —<https://www.red-dot.sg/kr/aura/>.\*

(72) Inventors: **Lin Yang**, Shenzhen (CN); **Hai Yang**,  
Shenzhen (CN); **Jinliang Zhang**,  
Shenzhen (CN)

\* cited by examiner

*Primary Examiner* — Lakiya G Rogers

*Assistant Examiner* — John A Voytek

(74) *Attorney, Agent, or Firm* — Tsz Lung Yeung

(\*\*) Term: **15 Years**

(57) **CLAIM**

(21) Appl. No.: **29/627,872**

The ornamental design for an aroma diffuser, as shown and described.

**DESCRIPTION**

(22) Filed: **Nov. 30, 2017**

FIG. 1 is a perspective view of a first embodiment of an aroma diffuser showing my new design;

(51) **LOC (12) Cl.** ..... **28-99**

FIG. 2 is a front view thereof;

(52) **U.S. Cl.**

FIG. 3 is a rear view thereof;

USPC ..... **D23/366**

FIG. 4 is a right end view thereof;

(58) **Field of Classification Search**

USPC ..... D23/314, 325, 333–336, 355–367,

FIG. 5 is a left end view thereof;

D23/386–388; D11/143–155, 164;

FIG. 6 is a top view thereof;

D9/504, 529, 552, 558, 689; D26/9

FIG. 7 is a bottom view thereof;

CPC . A61L 9/03; A61L 9/012; A61L 9/015; A61L

FIG. 8 is a bottom perspective view thereof;

9/037

FIG. 9 is a perspective view of a second embodiment of an aroma diffuser showing my new design;

See application file for complete search history.

FIG. 10 is a front view thereof;

(56) **References Cited**

**U.S. PATENT DOCUMENTS**

D717,173 S \* 11/2014 Wechsler ..... D9/435

FIG. 11 is a rear view thereof;

D755,361 S \* 5/2016 Osborn ..... D23/366

FIG. 12 is a right end view thereof;

D768,495 S \* 10/2016 Staab ..... D9/452

FIG. 13 is a left end view thereof;

D810,262 S \* 2/2018 Lu ..... D23/366

FIG. 14 is a top view thereof;

D812,210 S \* 3/2018 Tang ..... D23/366

FIG. 15 is a bottom view thereof; and,

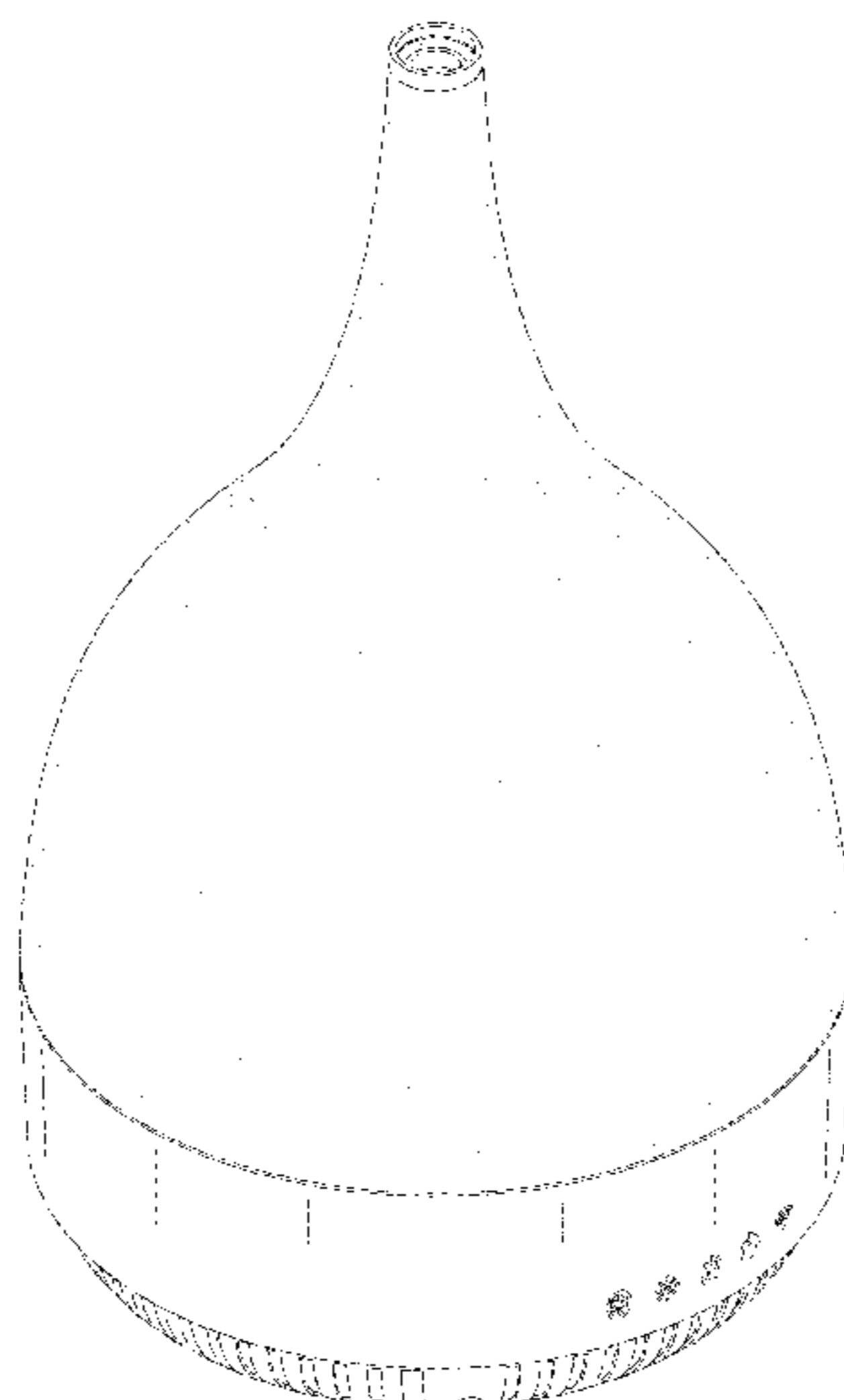
9,914,145 B2 \* 3/2018 Osborn ..... F21V 29/67

FIG. 16 is a bottom perspective view thereof.

D832,415 S \* 10/2018 Lu ..... D23/366

The broken-line in the drawings showing symbols on the frontal surface of the first embodiment are included for the purpose of showing portions of the article that form no part of the claim.

**1 Claim, 16 Drawing Sheets**



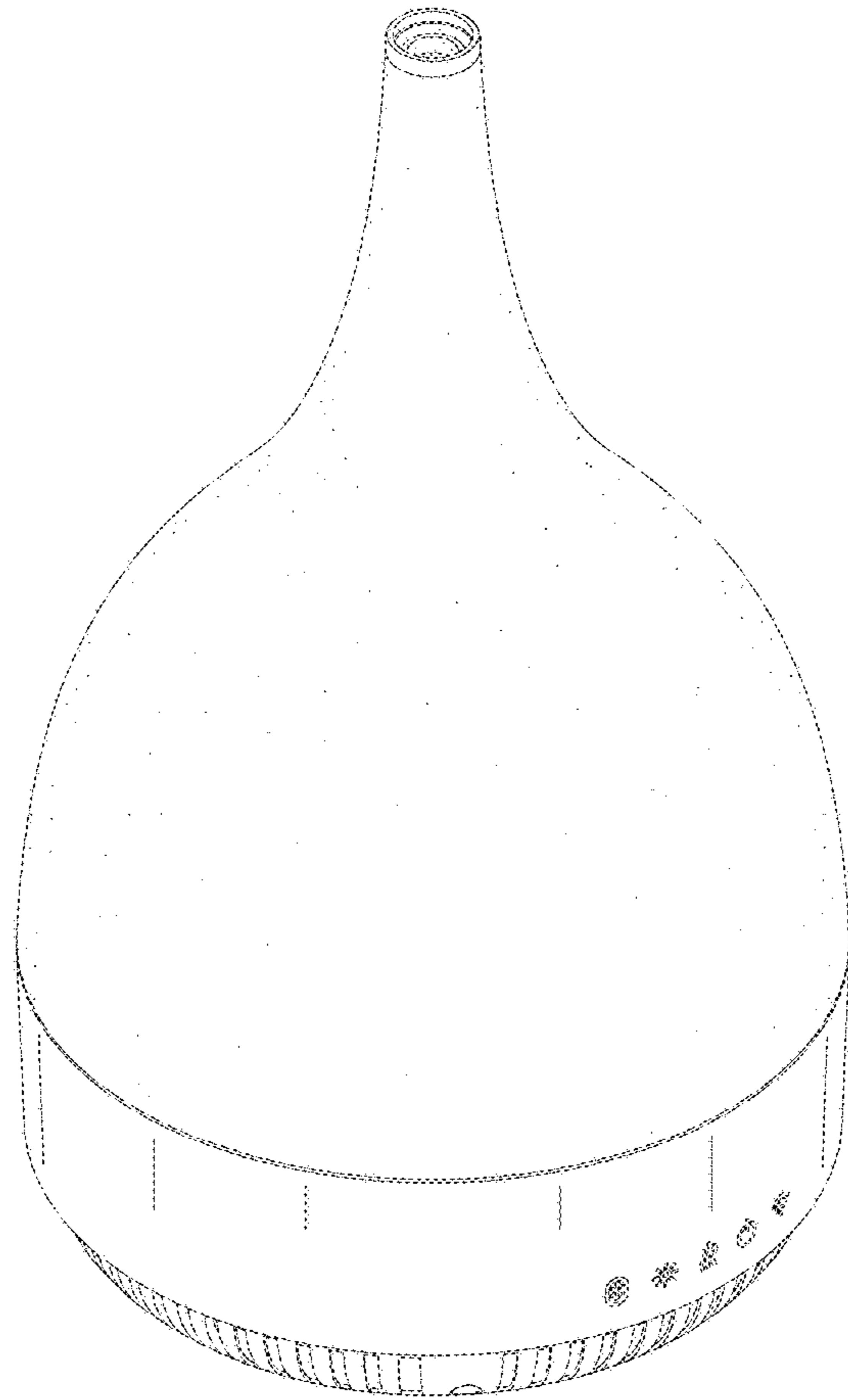


FIG. 1

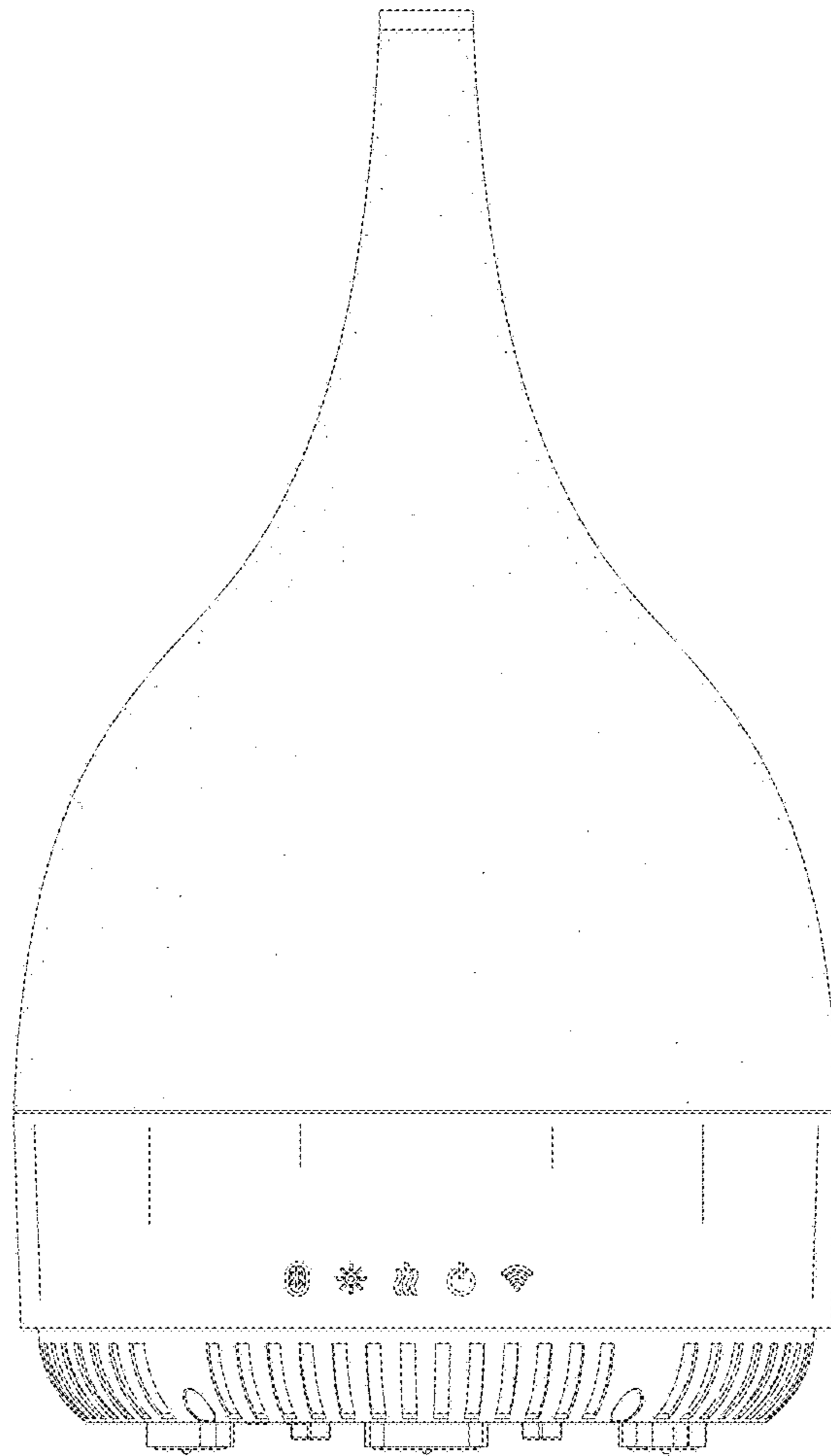
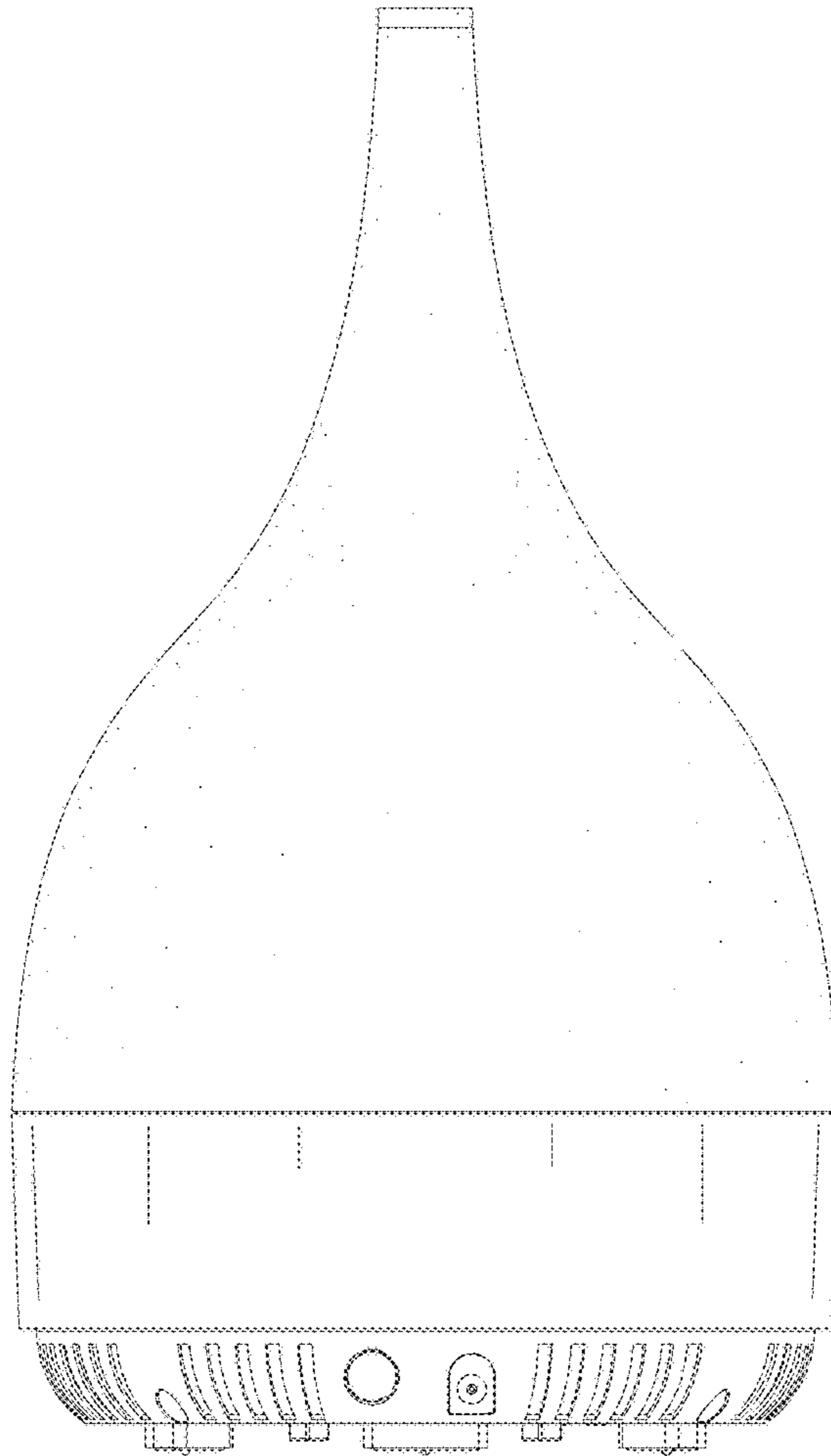


FIG. 2



*FIG. 3*

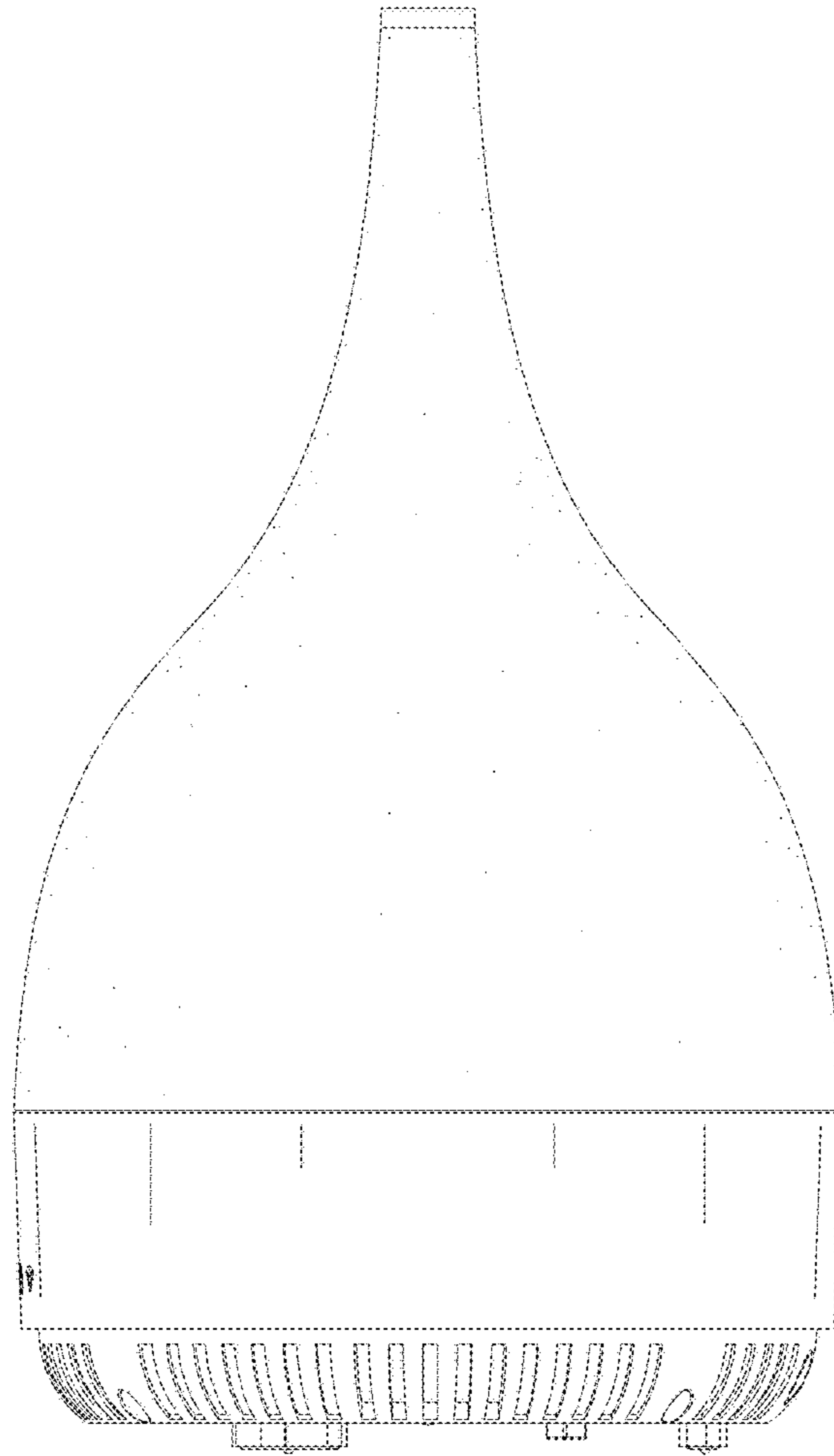
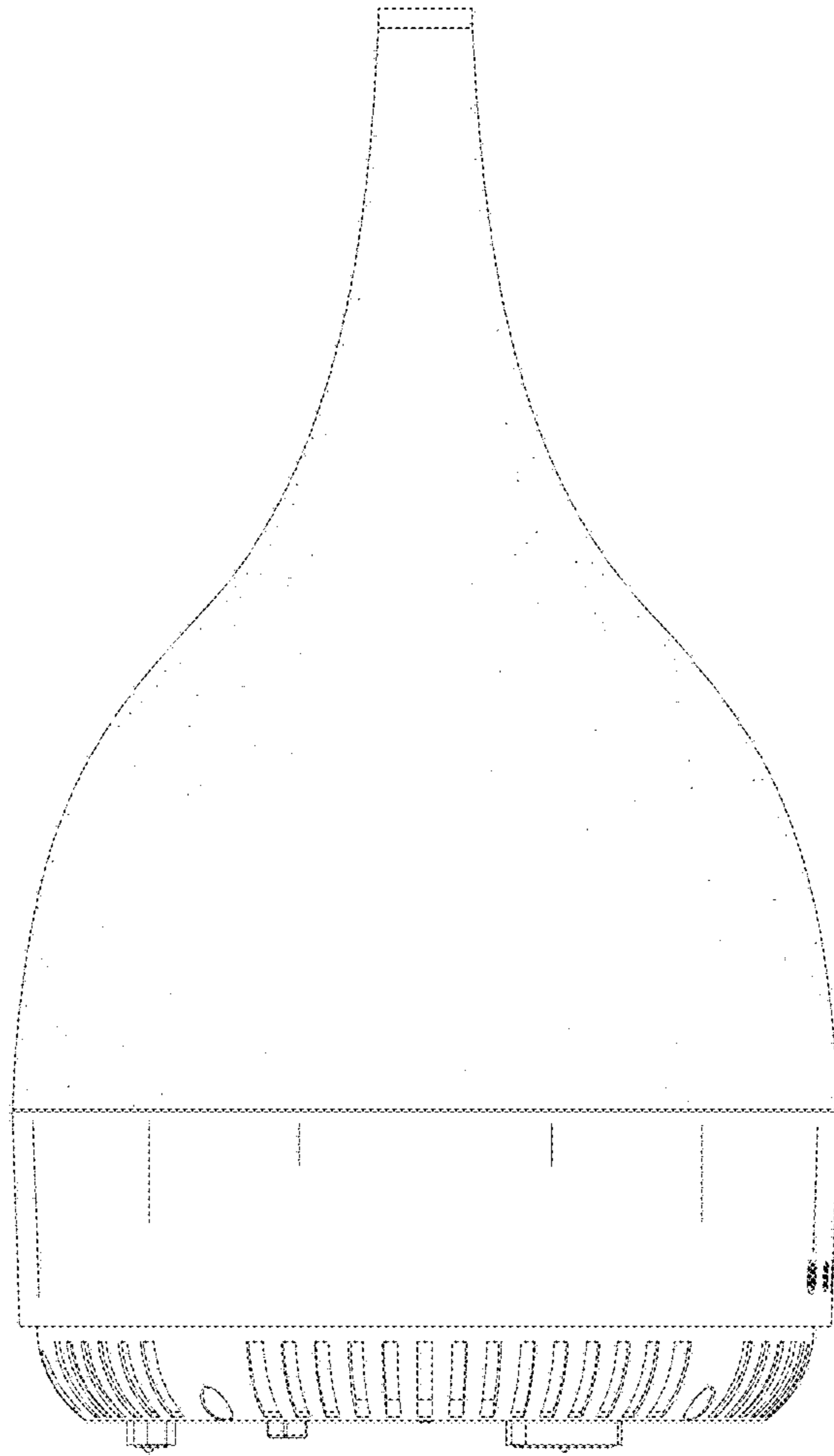
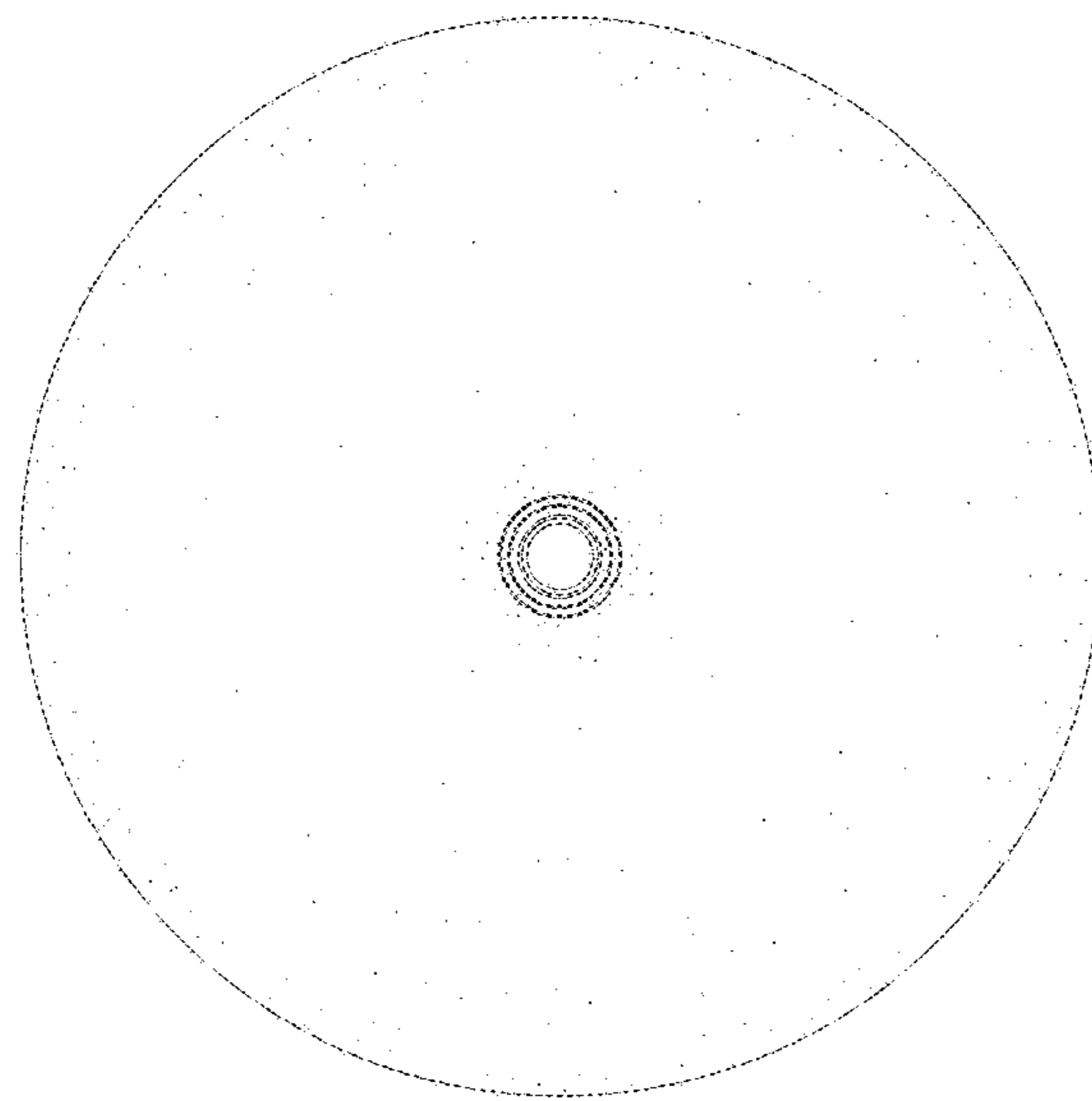


FIG.4



*FIG. 5*



*FIG.6*

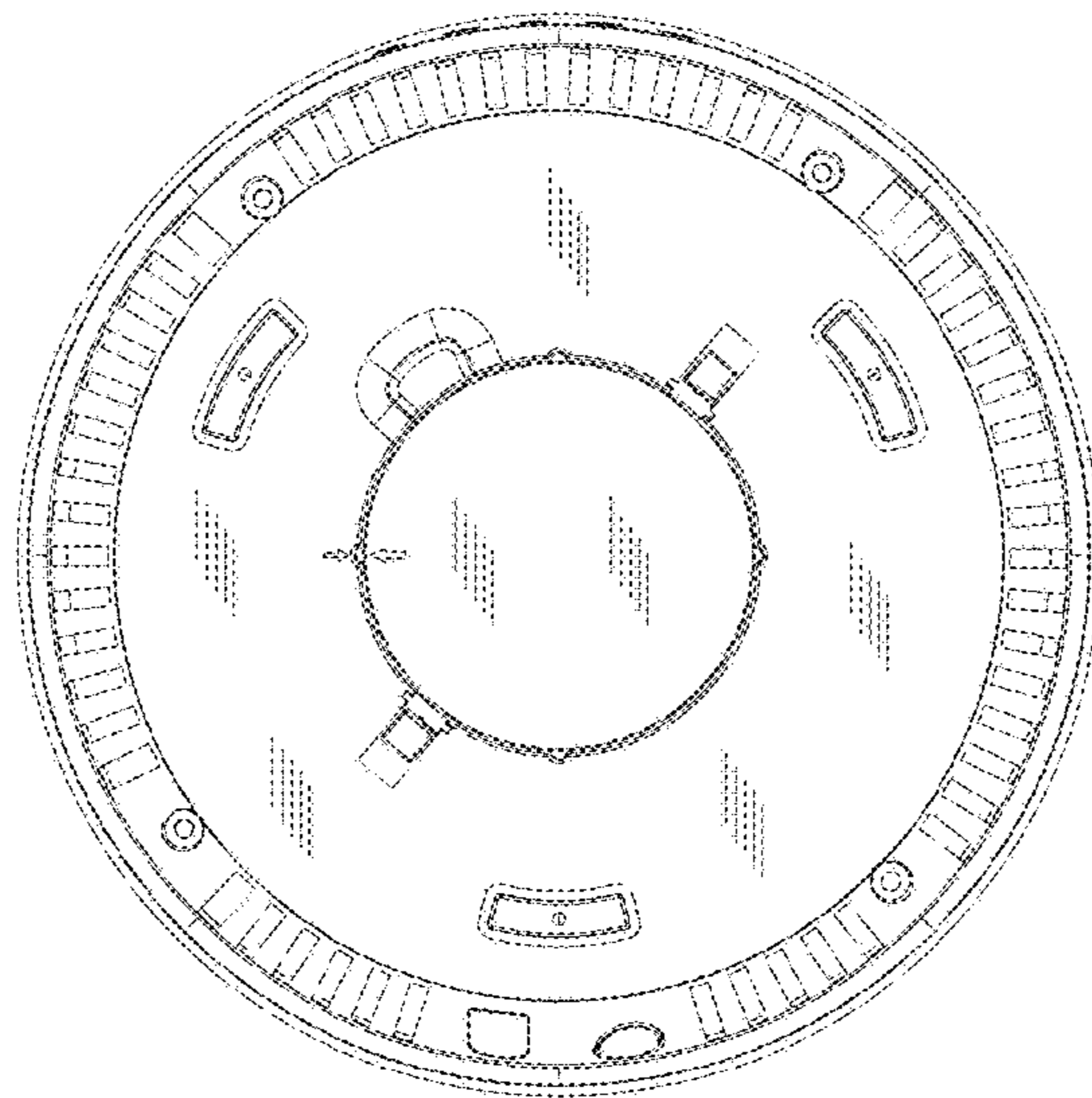


FIG. 7



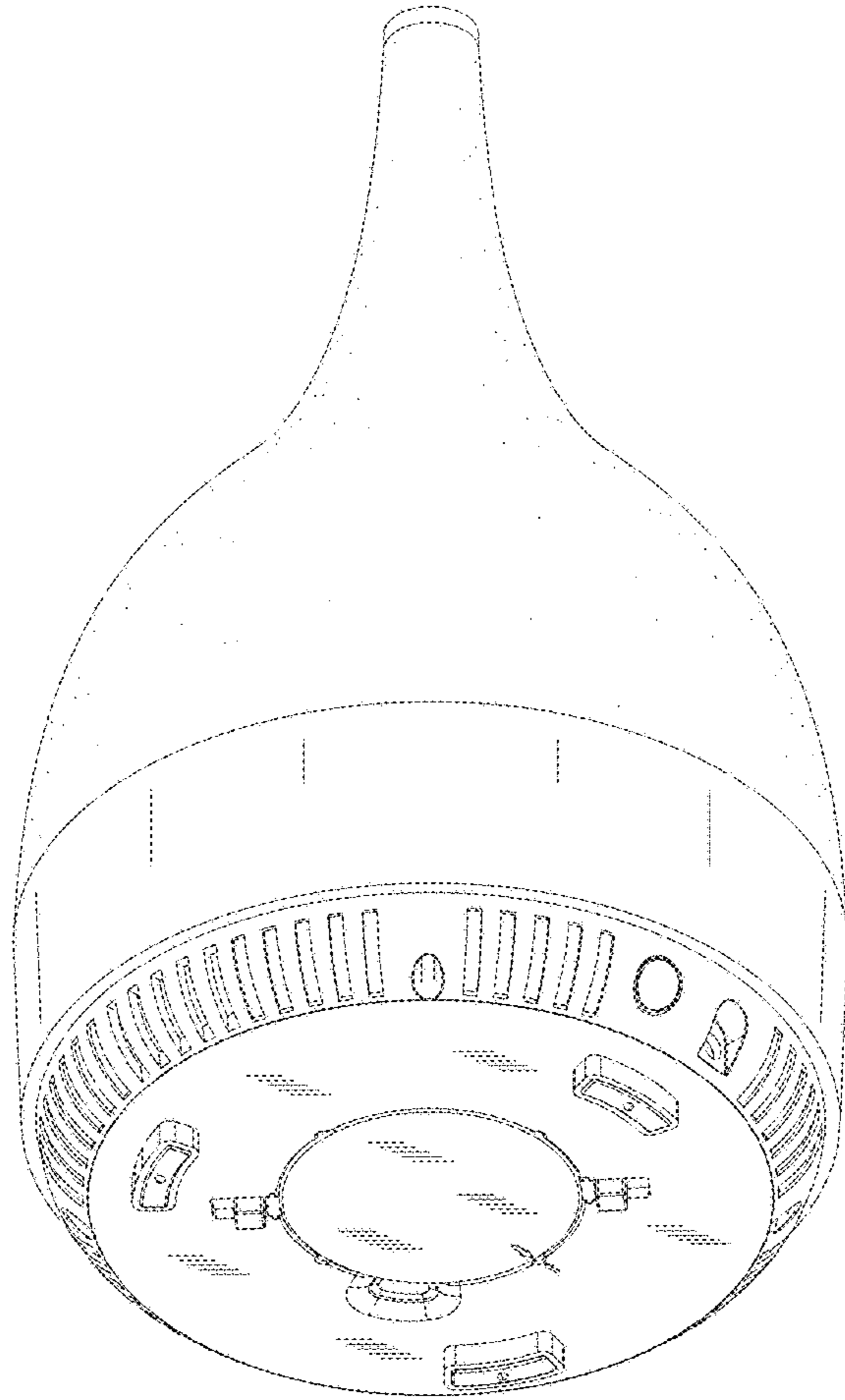
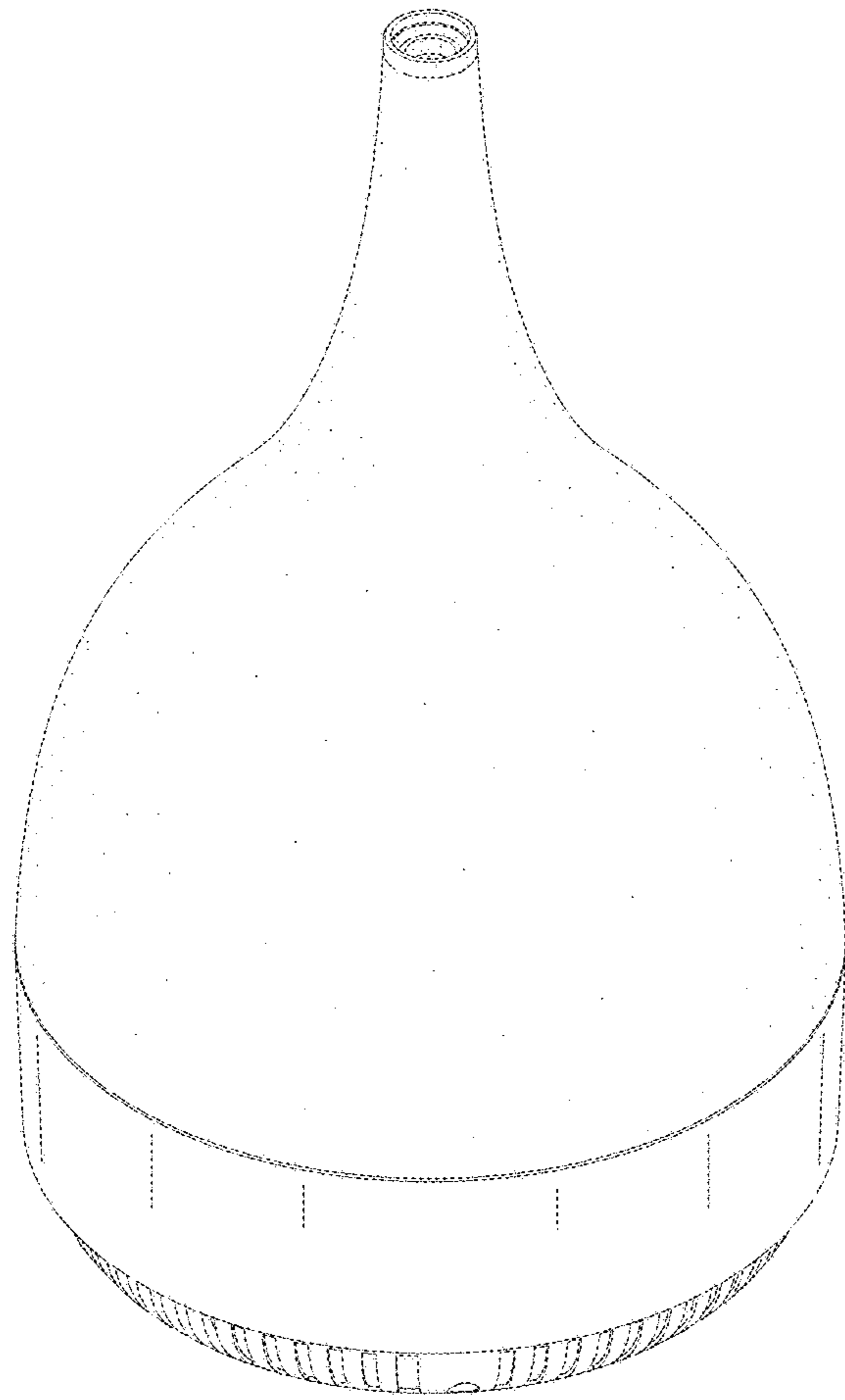
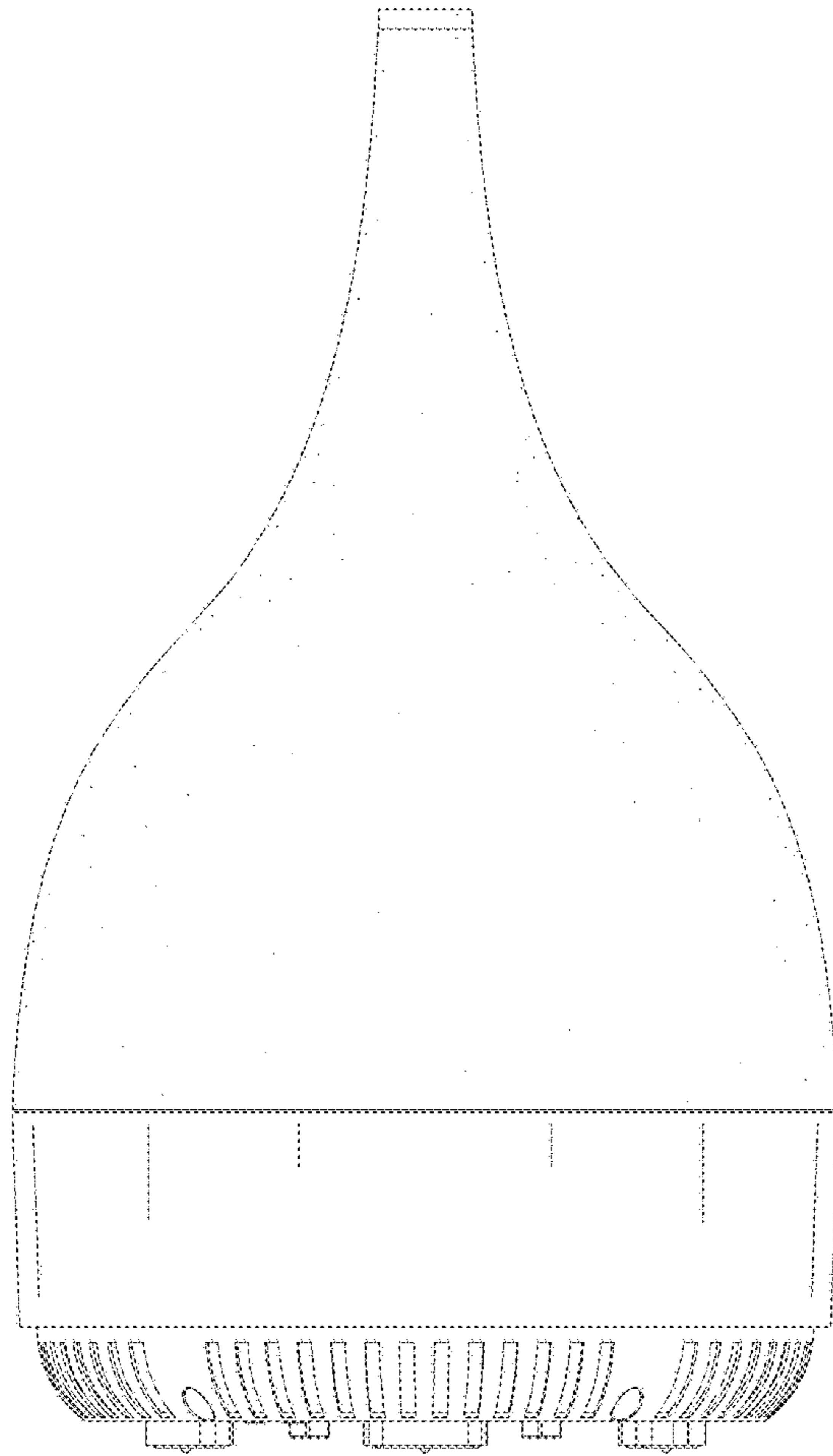


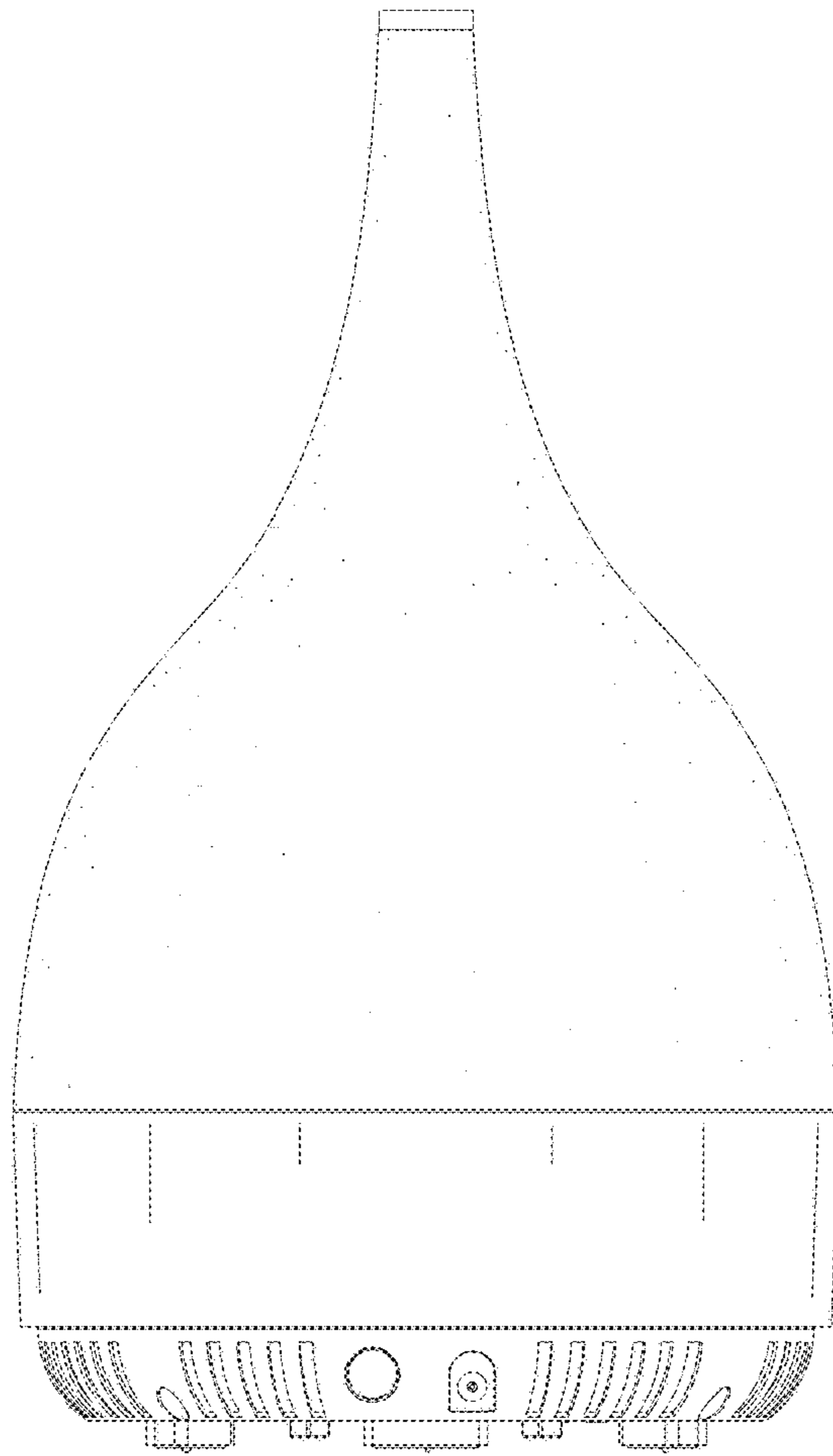
FIG. 8



*FIG. 9*



*FIG. 10*



*FIG. 11*

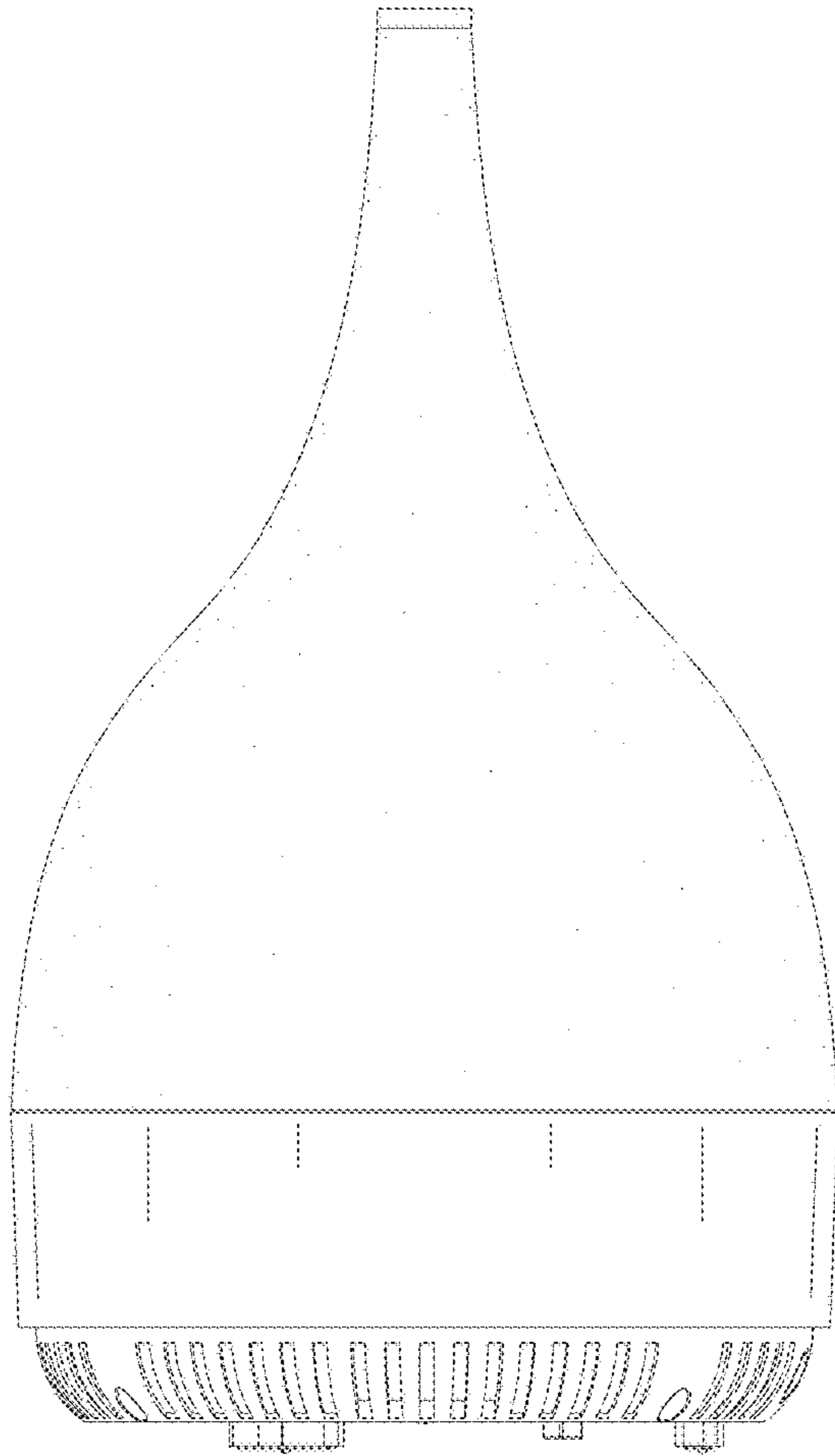
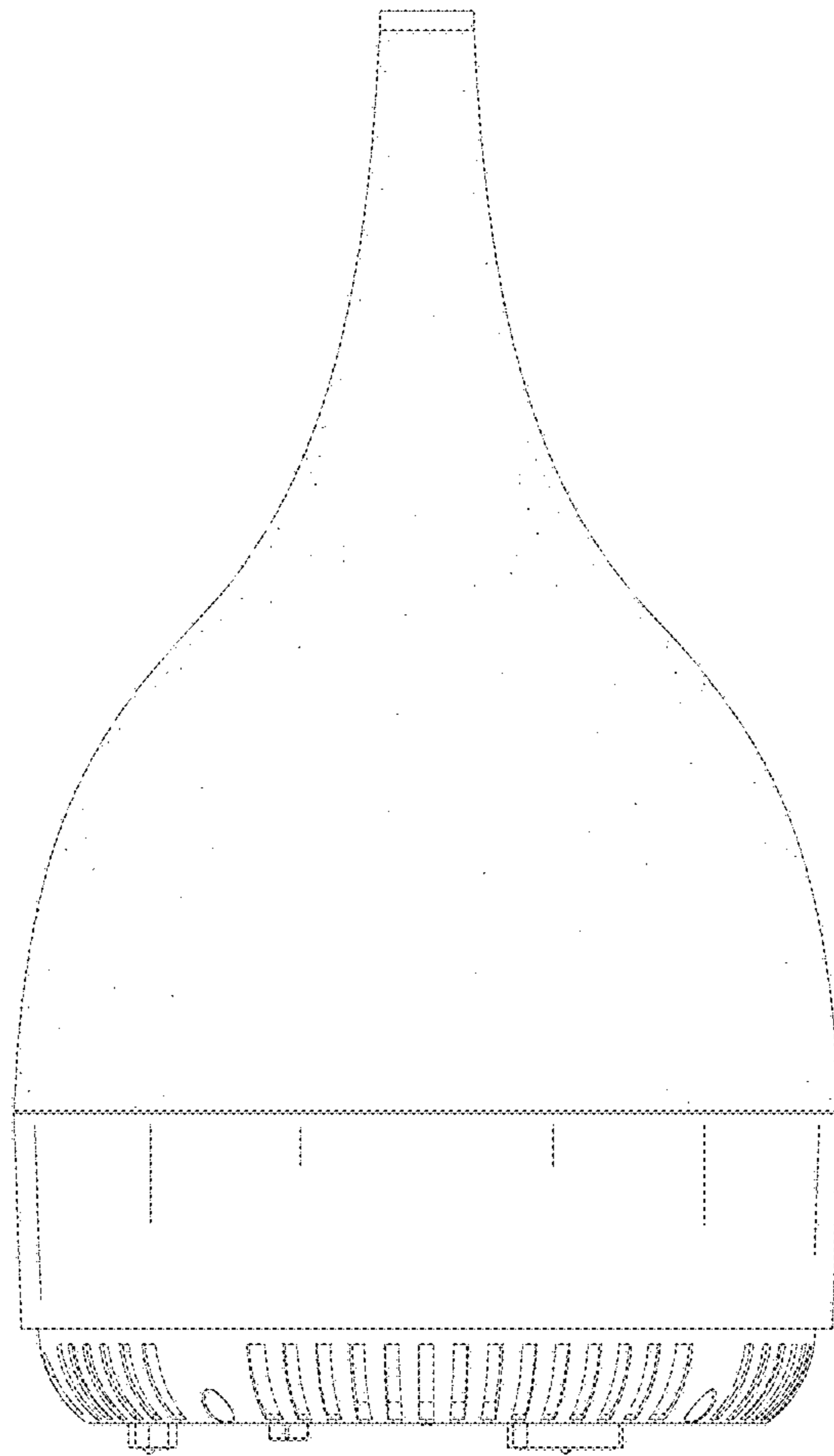


FIG. 12



*FIG. 13*

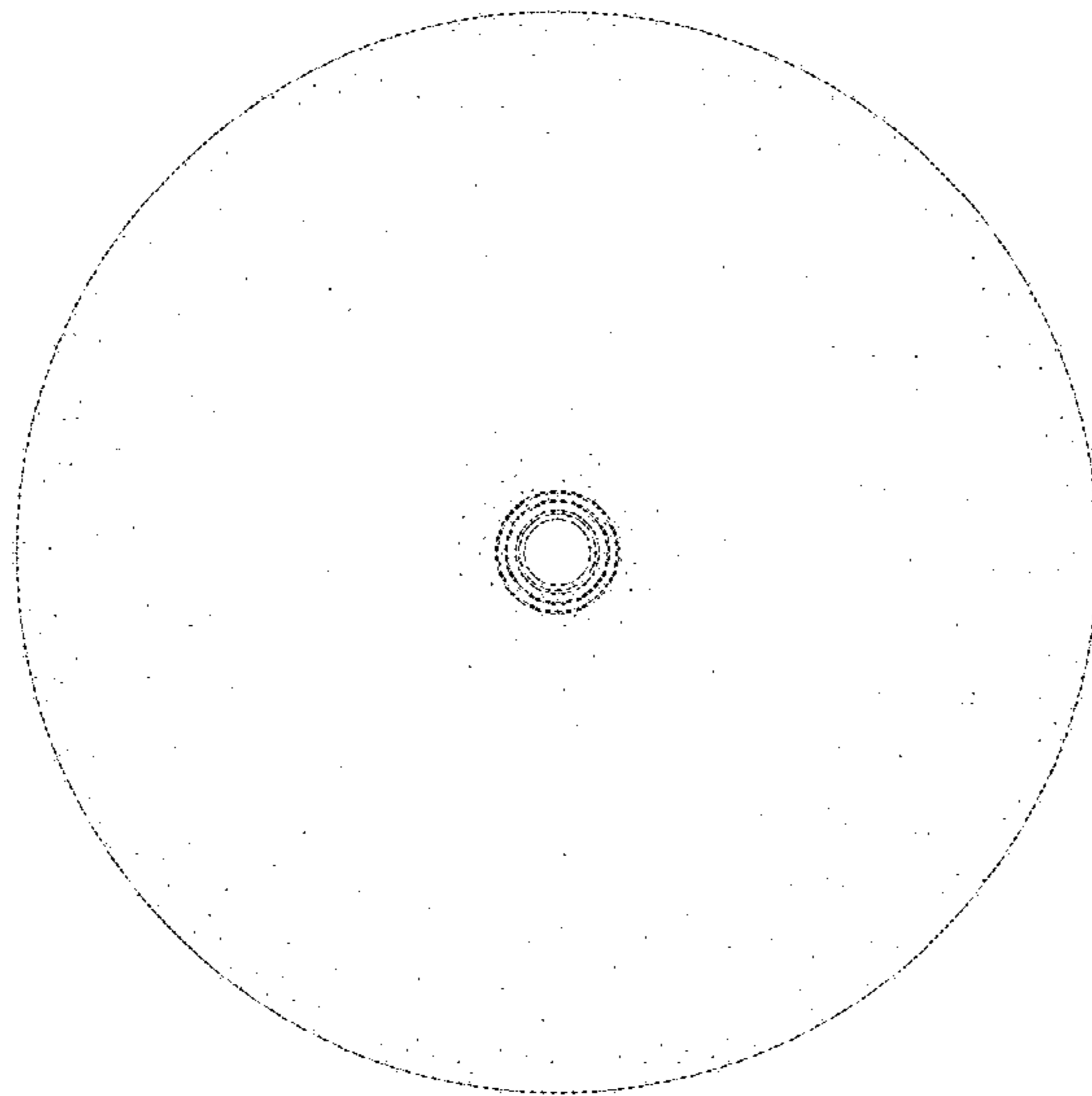


FIG.14

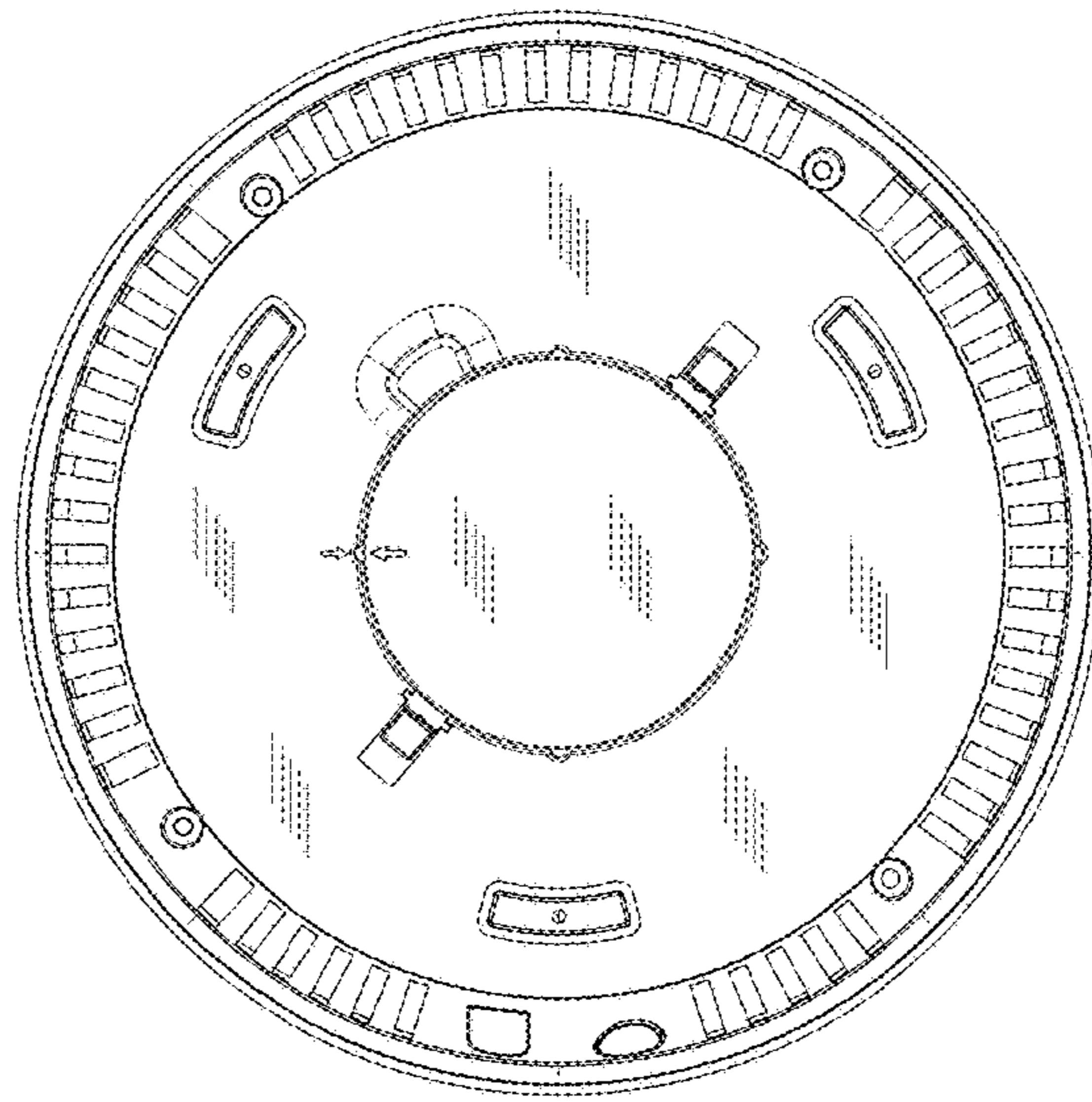


FIG. 15



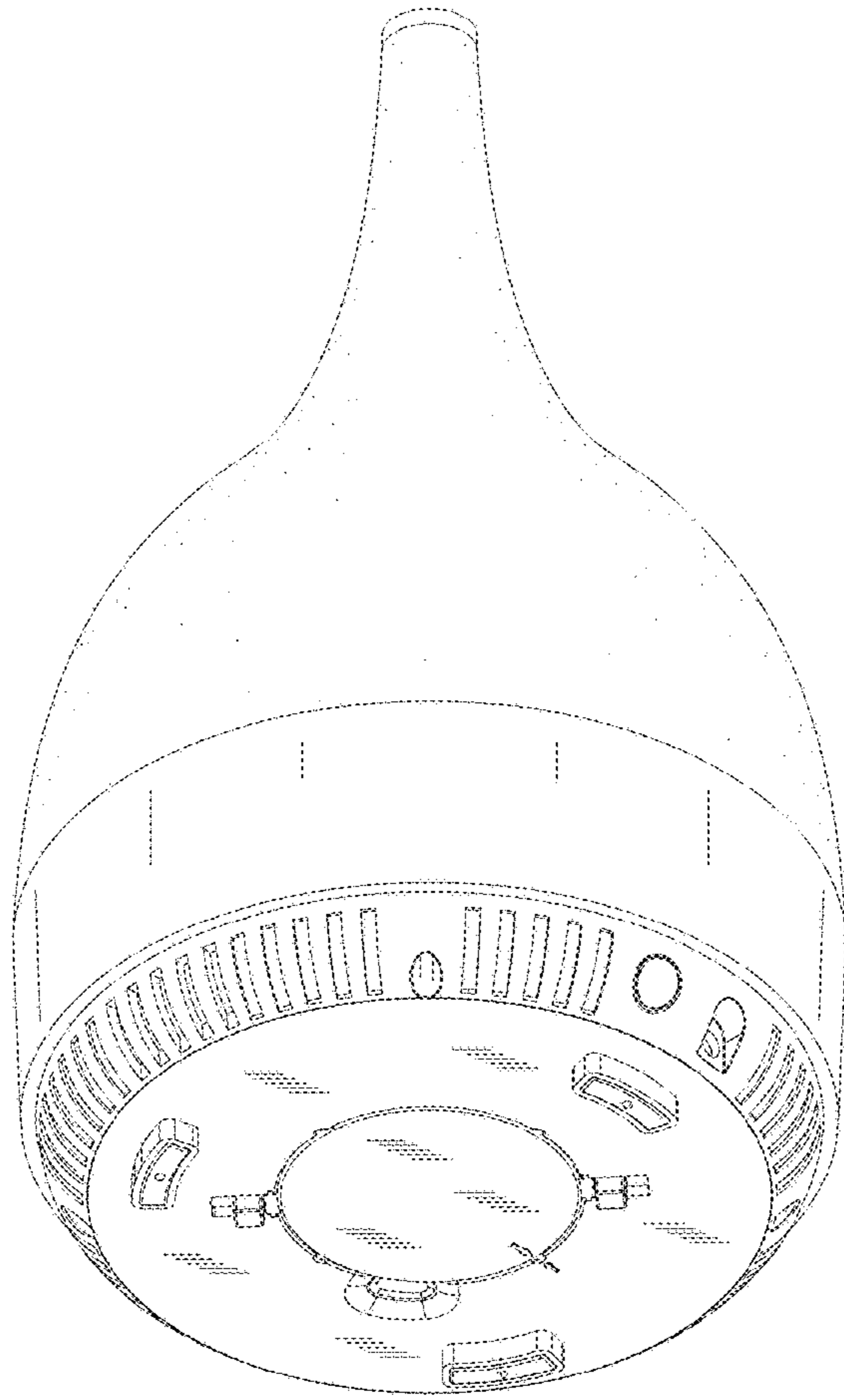


FIG.16