



US00D857862S

(12) **United States Design Patent**
O'Brien

(10) **Patent No.:** **US D857,862 S**

(45) **Date of Patent:** **** Aug. 27, 2019**

(54) **AIR CONDITIONING HOUSING**

(71) Applicant: **TSI Products, Inc.**, Arlington, TX (US)

(72) Inventor: **Stephen William O'Brien**, Fort Worth, TX (US)

(73) Assignee: **TSI Products, Inc.**, Arlington, TX (US)

(**) Term: **15 Years**

(21) Appl. No.: **29/585,841**

(22) Filed: **Nov. 29, 2016**

(51) **LOC (12) Cl.** **12-16**

(52) **U.S. Cl.**
USPC **D23/325**

(58) **Field of Classification Search**
USPC D23/317, 314, 332, 333, 334, 335, 337,
D23/342, 351, 355, 378, 370, 381, 364,
D23/336, 341; D16/221-232
CPC B60H 1/00478; B60H 1/2225
See application file for complete search history.

(56) **References Cited**

U.S. PATENT DOCUMENTS

D130,076 S	*	10/1941	Vondenbosh	62/428
D168,319 S	*	12/1952	Schwartz	D16/227
D173,675 S	*	12/1954	Paulus	D23/325
D181,197 S	*	10/1957	Hoiby et al.	D23/325
D268,681 S	*	4/1983	Hanke	D16/229
D276,240 S	*	11/1984	Bonnefoy	D16/225
D358,636 S	*	5/1995	Bucher	D23/332
D363,980 S	*	11/1995	Roach	D23/325
D376,418 S	*	12/1996	Wang	D23/332

D402,741 S	*	12/1998	Chen	D23/335
D480,354 S	*	10/2003	Hassenzahl	D13/103
D627,316 S	*	11/2010	Theisen	D13/182
D634,829 S	*	3/2011	Niki	D23/355
D654,158 S	*	2/2012	Chen	D23/317
D662,055 S	*	6/2012	Little	D13/122
D682,202 S	*	5/2013	Weaver, Jr.	D13/108
D699,180 S	*	2/2014	Sweere	D13/103
D717,415 S	*	11/2014	Ehlert	D23/314
D783,793 S	*	4/2017	Satou	D23/364
D830,528 S	*	10/2018	Zhou	D23/364

* cited by examiner

Primary Examiner — Karen S Acker

Assistant Examiner — Steven B Reinholdt, Jr.

(74) *Attorney, Agent, or Firm* — Hitchcock Evert LLP

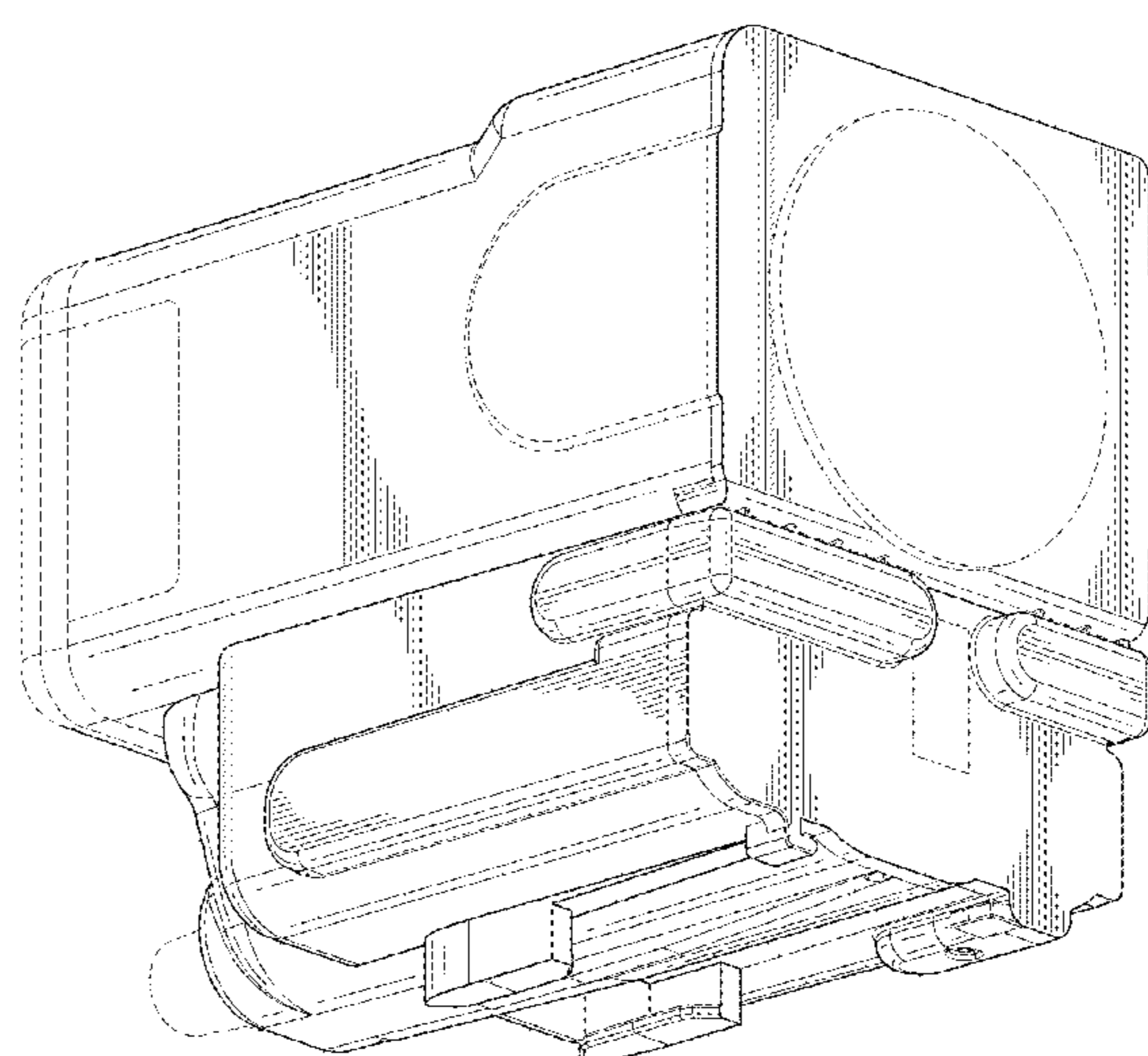
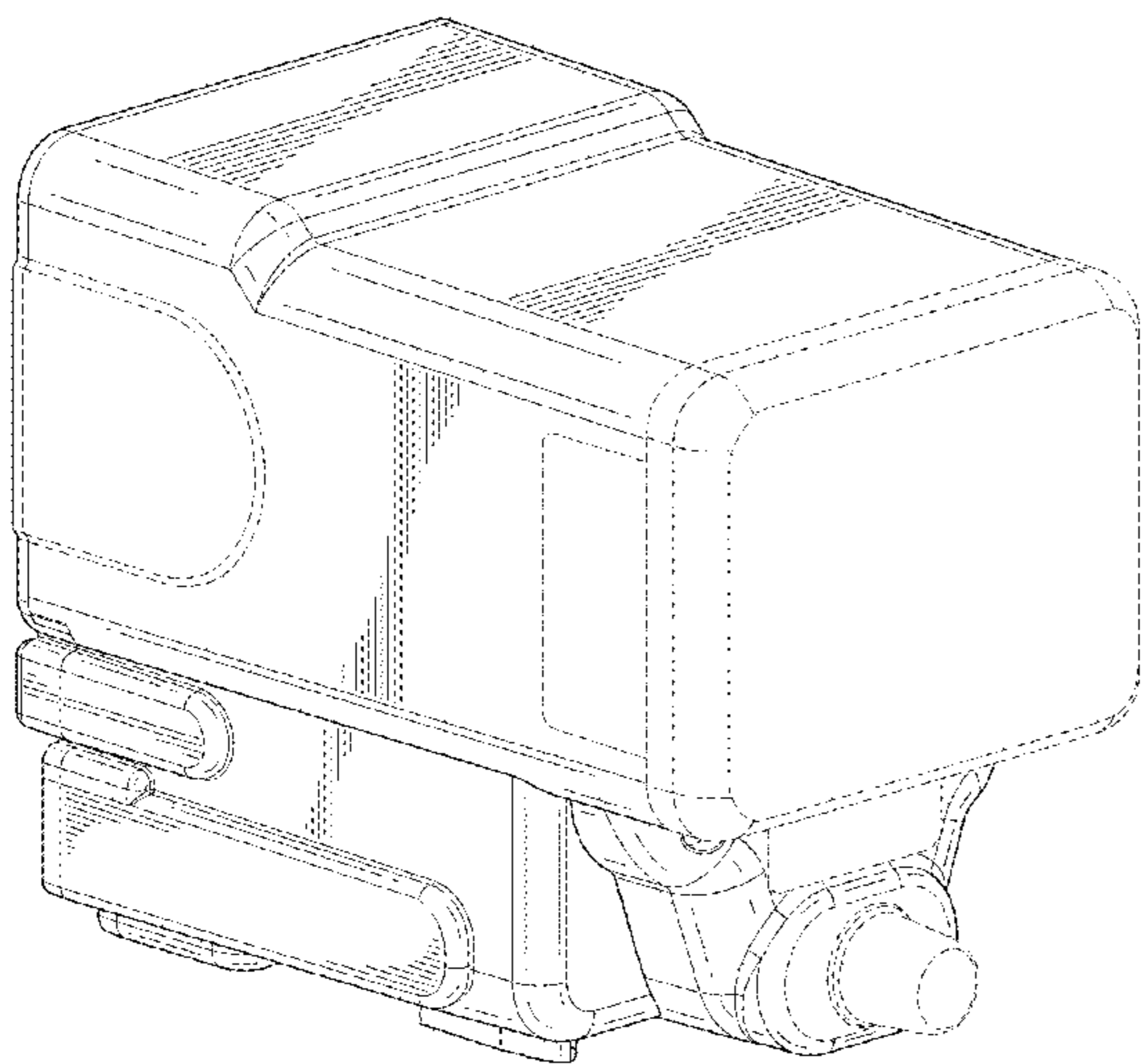
(57) **CLAIM**

The ornamental design for an air conditioning housing, as shown and described.

DESCRIPTION

FIG. 1 is a perspective view from the top-left of the housing; FIG. 2 is a front view thereof; FIG. 3 is a left side view thereof; FIG. 4 is a back view thereof; FIG. 5 is a right side view thereof; FIG. 6 is a top view thereof; FIG. 7 is a bottom view thereof; and, FIG. 8 is a perspective view from the bottom-right thereof. The broken lines and the areas within them are included for the purpose of illustrating portions of the air conditioning housing that form no part of the claimed design.

1 Claim, 8 Drawing Sheets



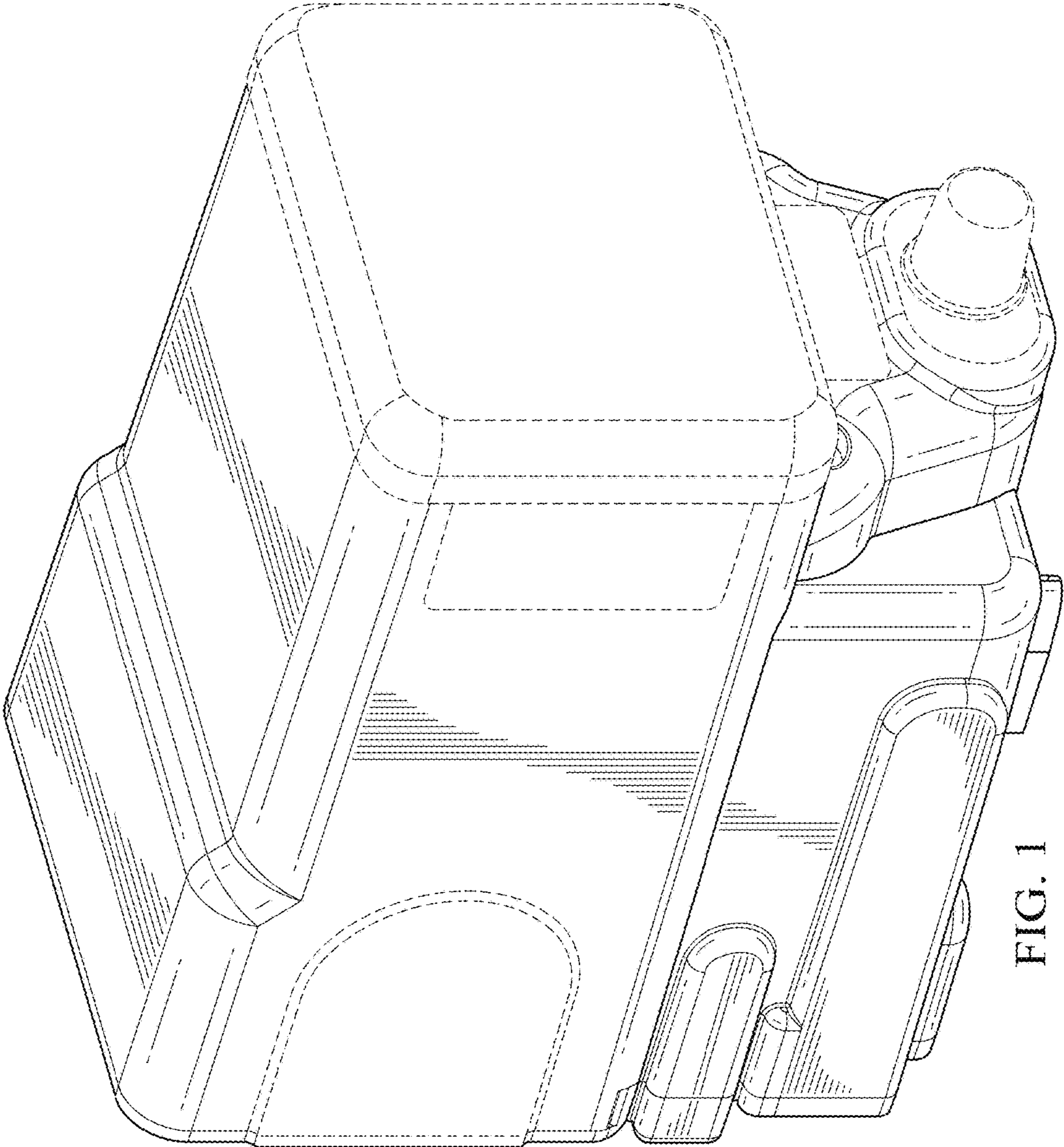


FIG. 1

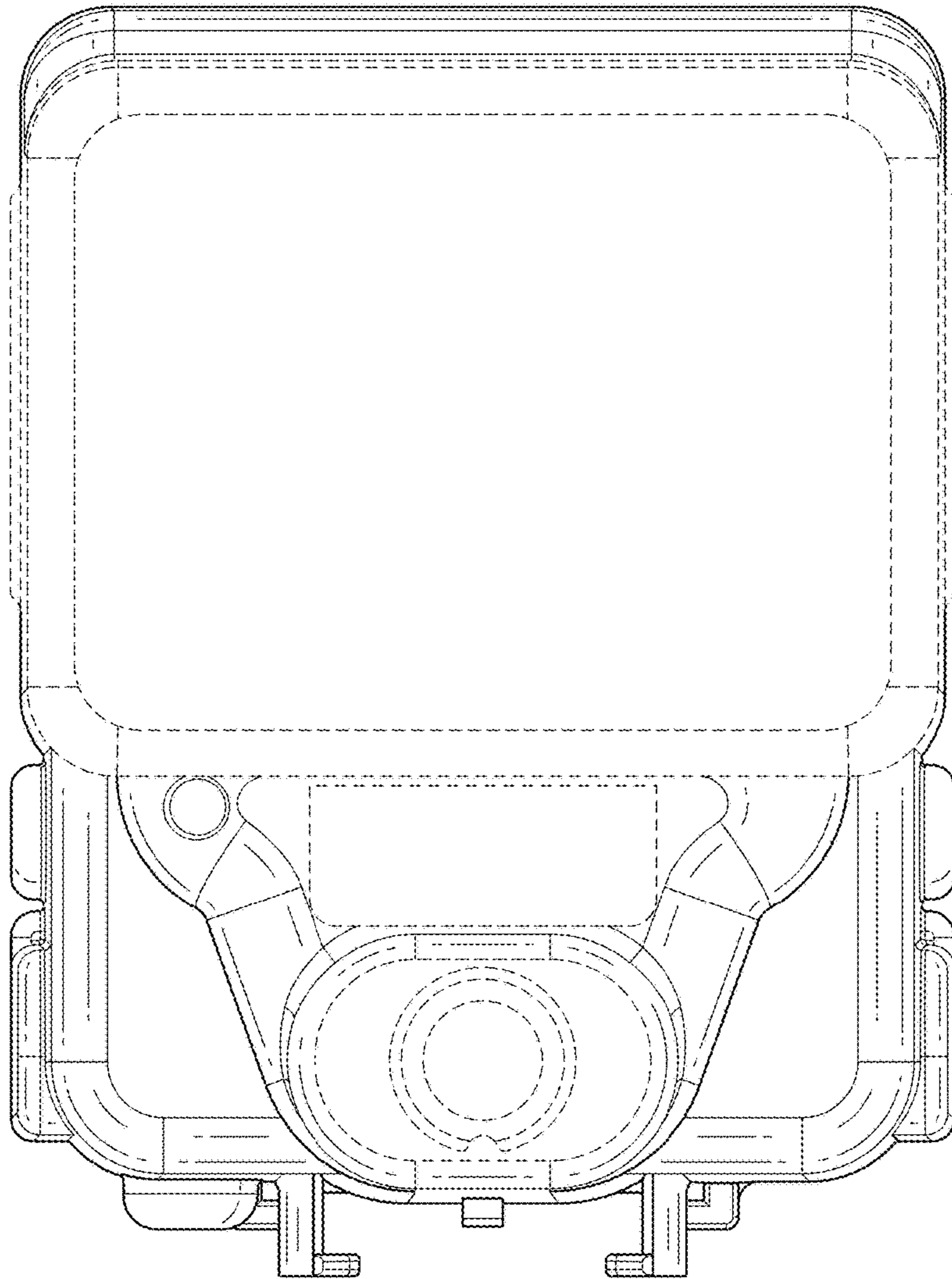


FIG. 2

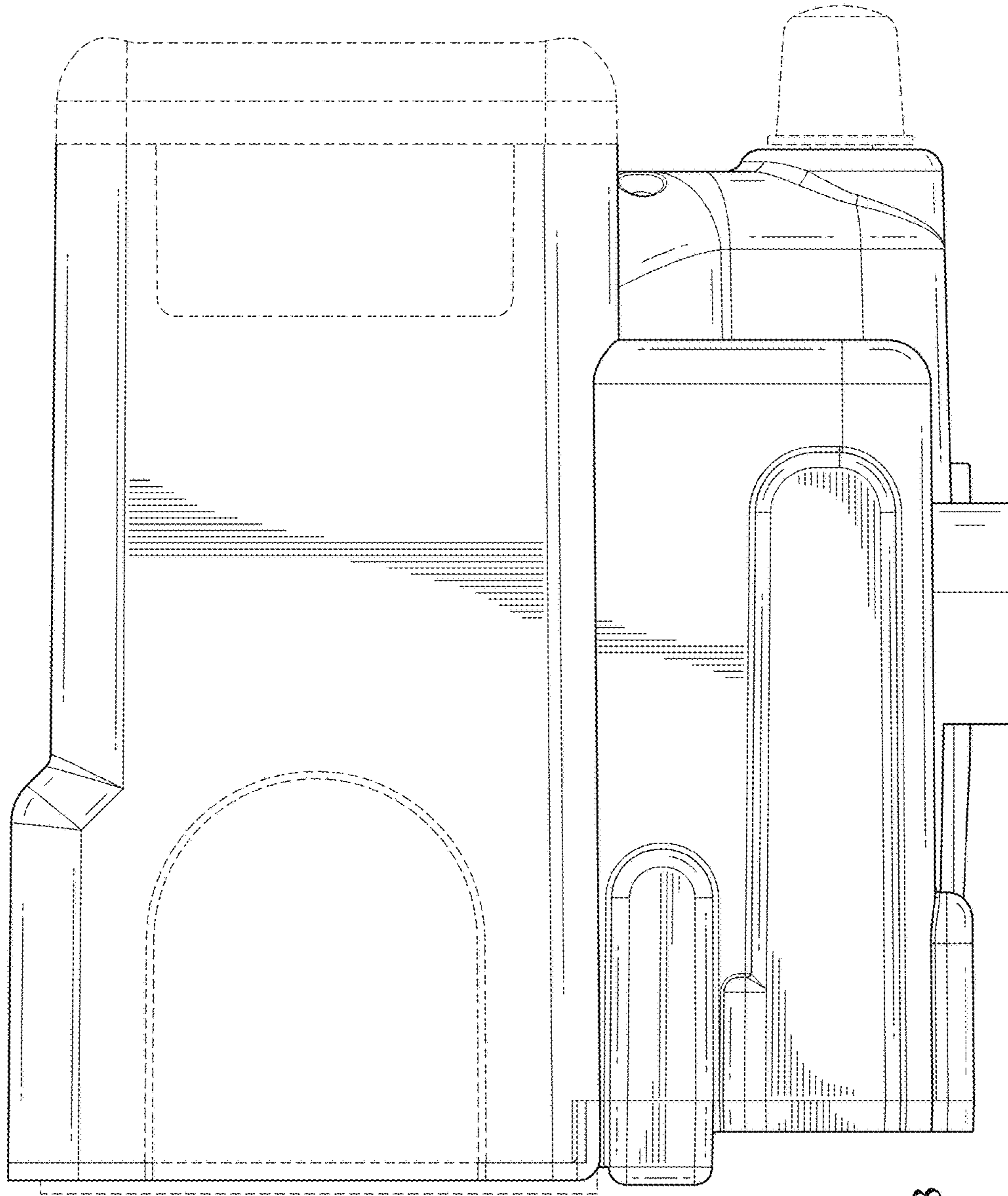


FIG. 3

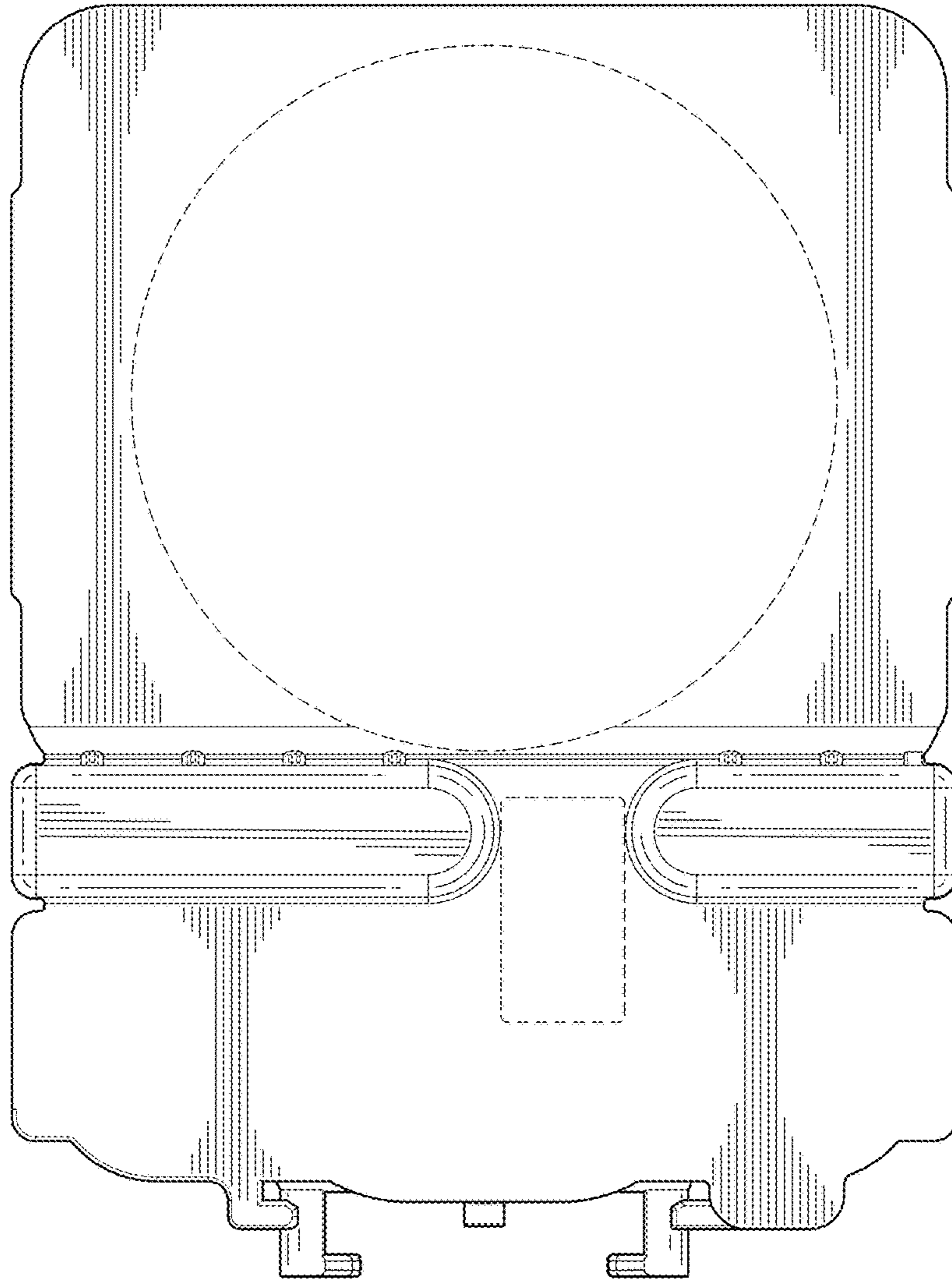


FIG. 4

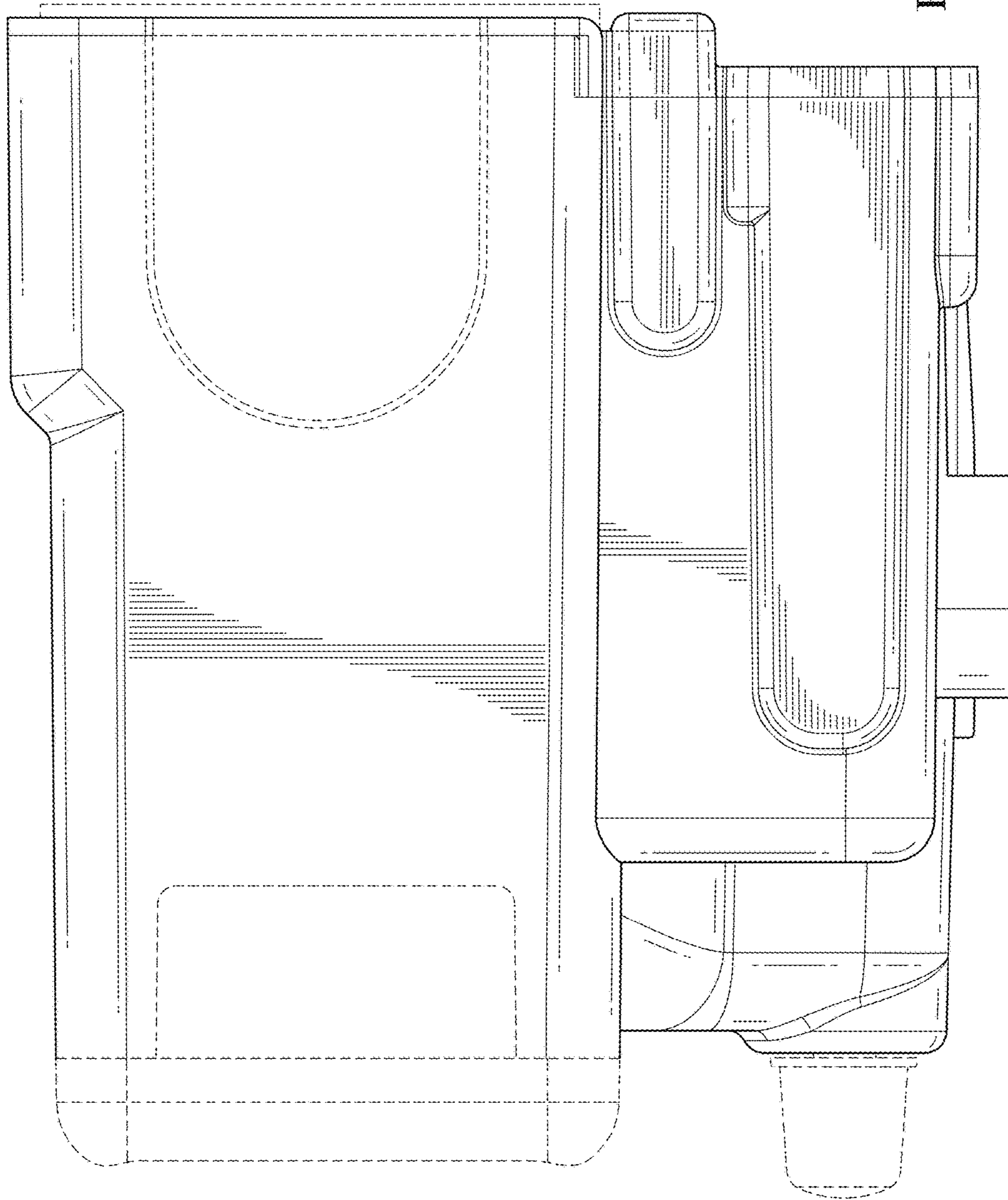


FIG. 5

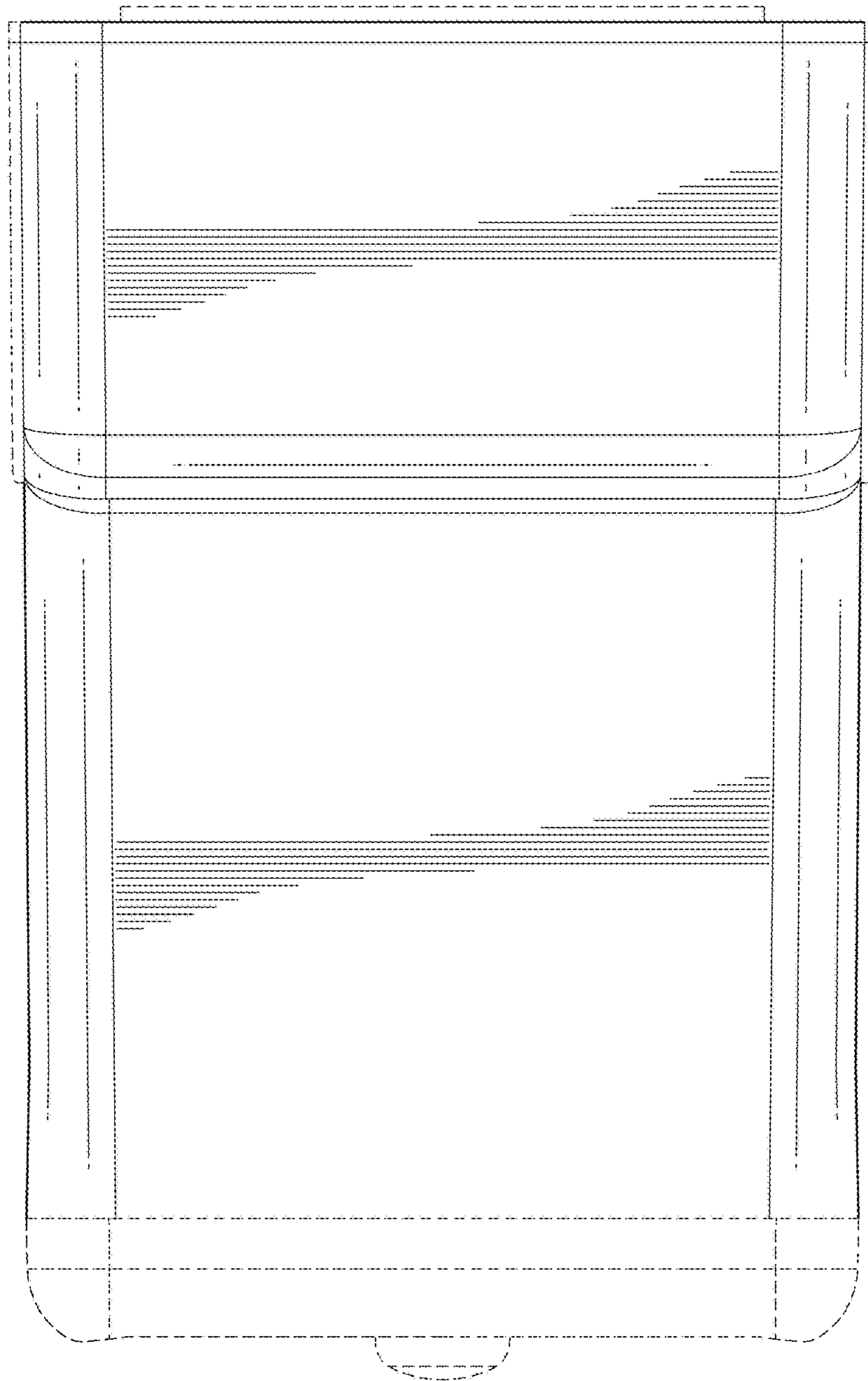


FIG. 6

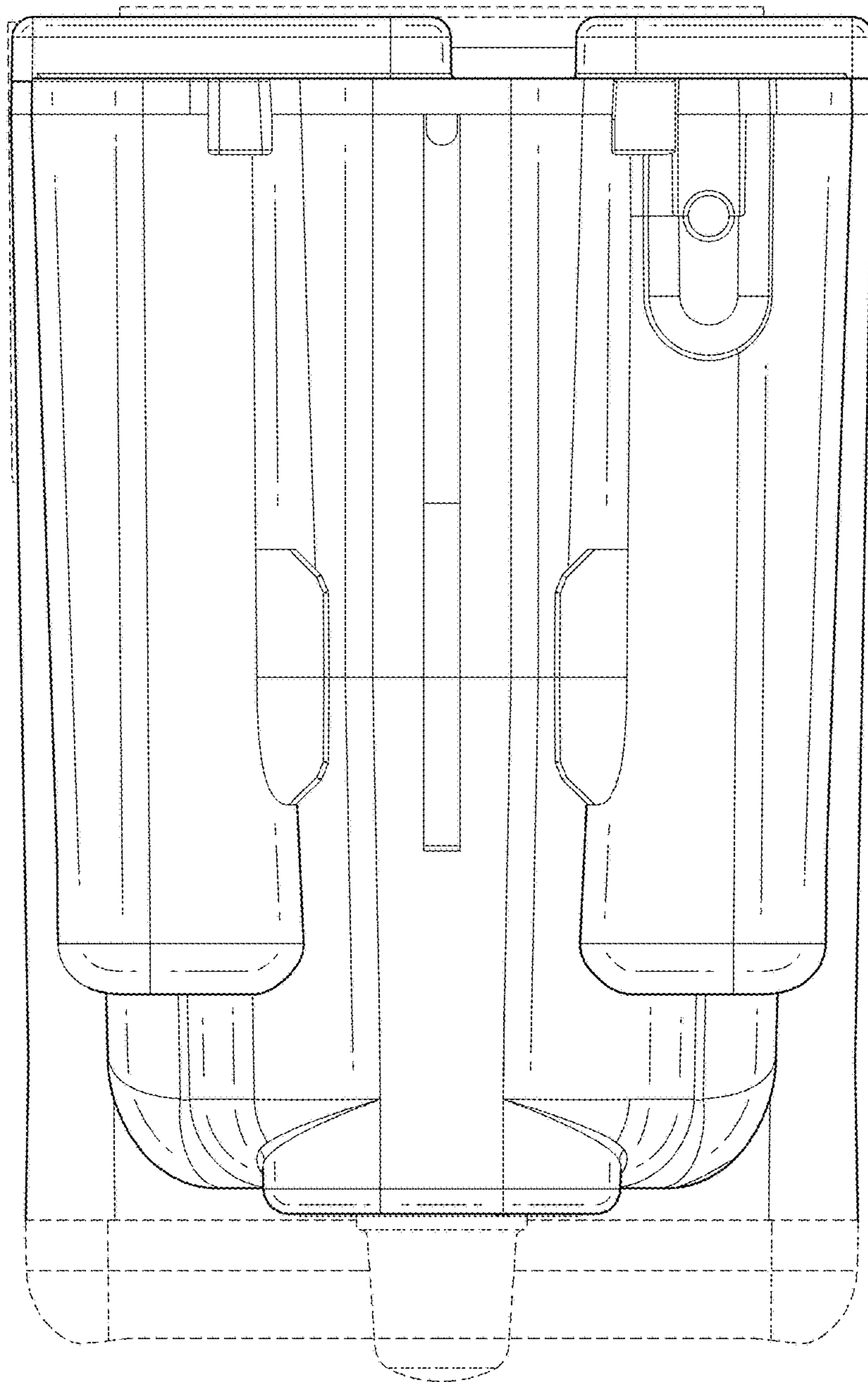


FIG. 7

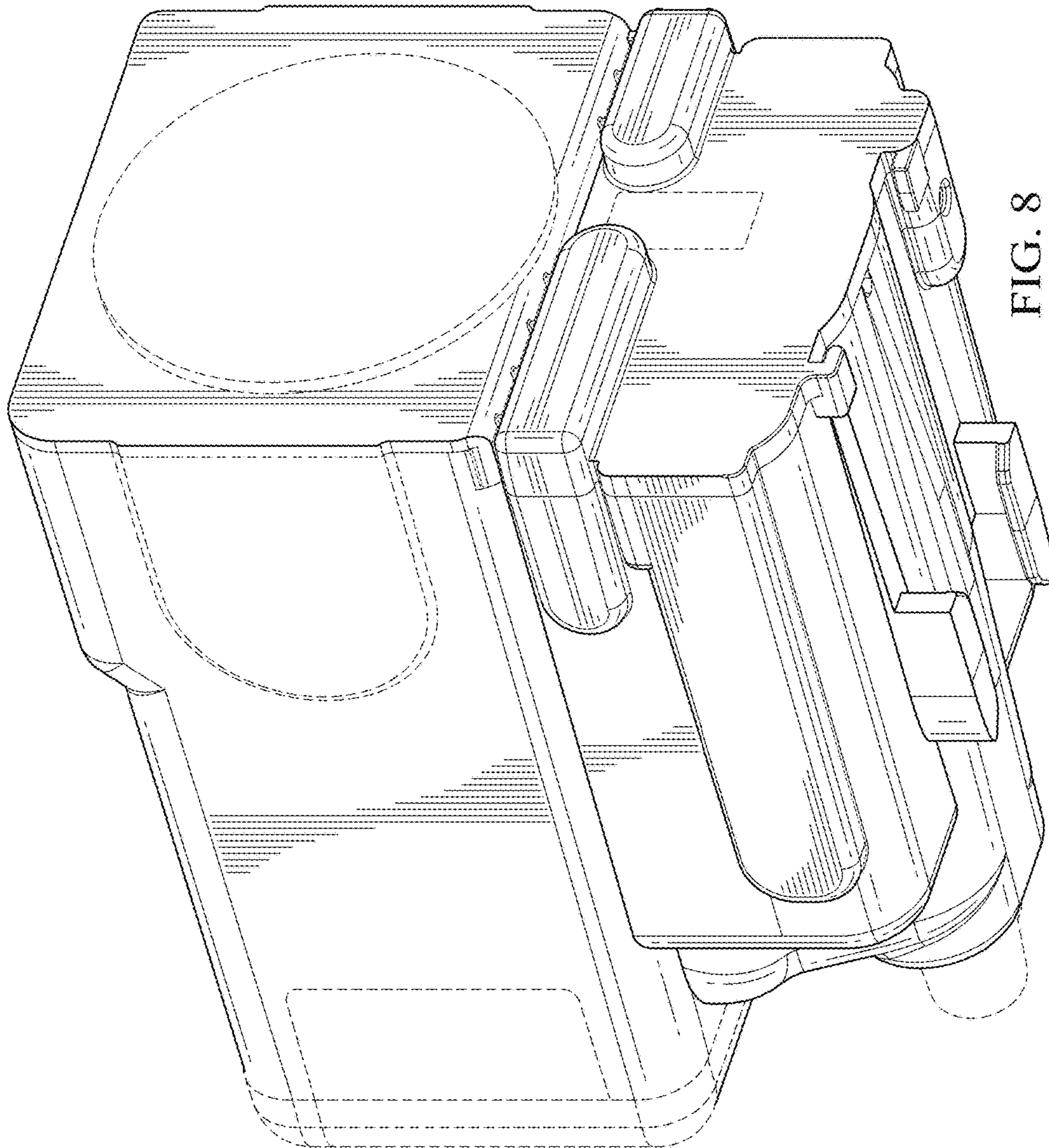


FIG. 8