



US00D857861S

(12) **United States Design Patent** (10) **Patent No.:** **US D857,861 S**  
**Bucher** (45) **Date of Patent:** **\*\* Aug. 27, 2019**

- (54) **BATHTUB**
- (71) Applicant: **AS IP Holdco, LLC**, Piscataway, NJ  
(US)
- (72) Inventor: **Christophe Bucher**, Hillsborough, NJ  
(US)
- (73) Assignee: **AS AMERICA, INC.**, Piscataway, NJ  
(US)
- (\*\*) Term: **15 Years**
- (21) Appl. No.: **29/626,469**
- (22) Filed: **Nov. 17, 2017**
- (51) **LOC (12) Cl.** ..... **23-02**
- (52) **U.S. Cl.**  
USPC ..... **D23/277; D23/306**
- (58) **Field of Classification Search**  
USPC ... **D23/277-279, 280.1, 280.2, 280.3, 280.4,**  
**D23/304-307**  
CPC ..... **A47K 3/006; A47K 3/02; A47K 3/022;**  
**E05C 9/16**  
See application file for complete search history.

- D636,067 S \* 4/2011 Lyons ..... D23/277
- D738,474 S \* 9/2015 Spangler ..... D23/277
- D738,994 S \* 9/2015 Froeche ..... D23/277
- 9,486,113 B2 \* 11/2016 Zimbric ..... A47K 3/161
- D782,628 S 3/2017 Schachter et al.
- 2005/0097667 A1 \* 5/2005 Torres ..... A47K 3/161  
4/584

\* cited by examiner

*Primary Examiner* — Lakiya G Rogers  
*Assistant Examiner* — John A Voytek  
(74) *Attorney, Agent, or Firm* — Morgan, Lewis & Bockius LLP

(57) **CLAIM**

The ornamental design for a bathtub, as shown and described.

**DESCRIPTION**

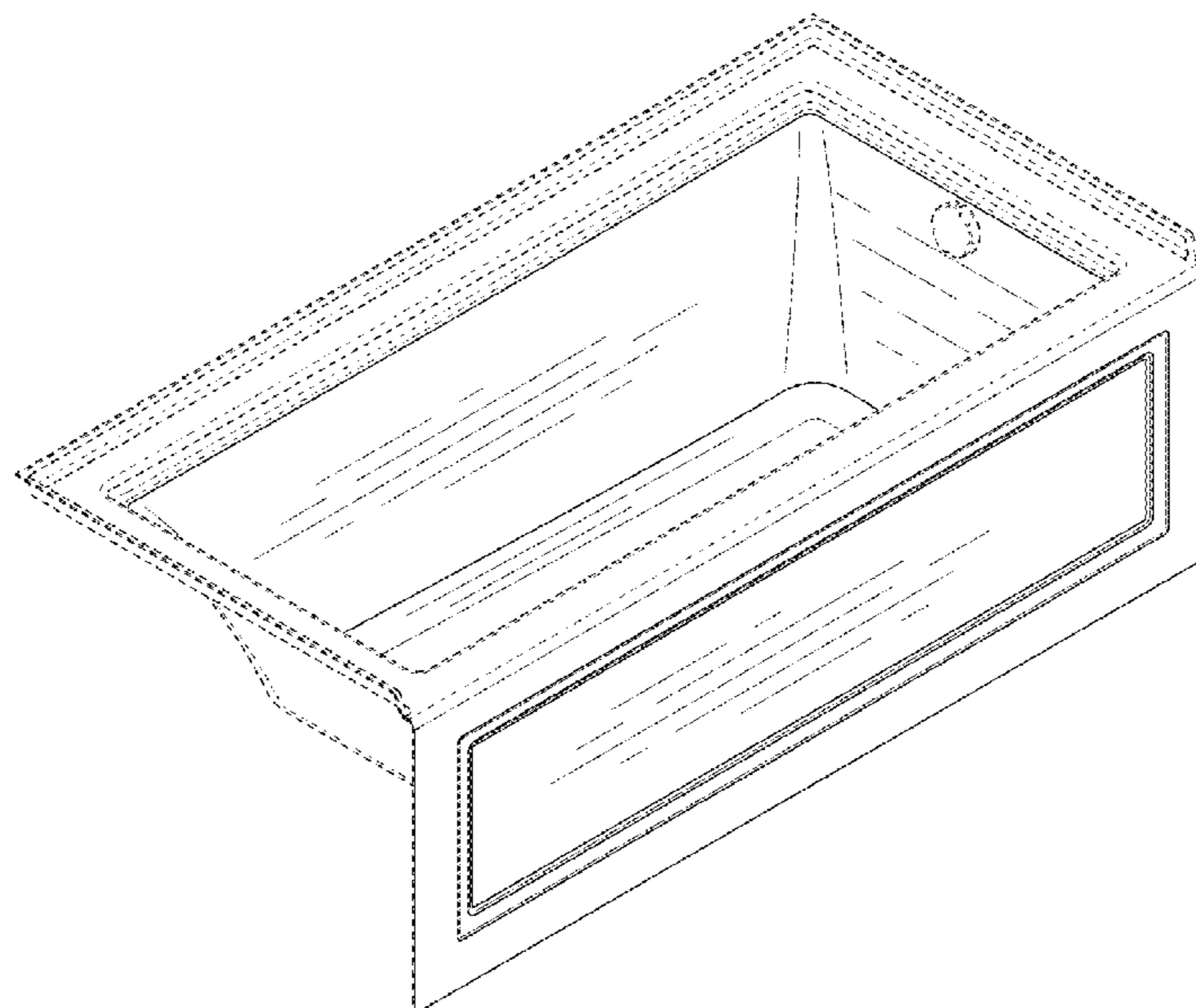
FIG. 1 is a perspective view of a bathtub showing my new design;  
FIG. 2 is a front elevational view of the bathtub shown in FIG. 1;  
FIG. 3 is a rear elevational view of the bathtub shown in FIG. 1;  
FIG. 4 is a left-side elevational view of the bathtub shown in FIG. 1;  
FIG. 5 is a right-side elevational view of the bathtub shown in FIG. 1;  
FIG. 6 is a top plan view of the bathtub shown in FIG. 1; and,  
FIG. 7 is a bottom plan view of the bathtub shown in FIG. 1.  
The broken lines immediately adjacent the shaded areas represent the bounds of the claimed design, while all other broken lines depict portions of the article that form no part of the claimed design.

**1 Claim, 4 Drawing Sheets**

(56) **References Cited**

U.S. PATENT DOCUMENTS

- 2,841,795 A \* 7/1958 Pelicano ..... A47K 3/02  
4/592
- D282,963 S 3/1986 Alger
- D331,622 S \* 12/1992 Dannenberg ..... D23/277
- D524,924 S \* 7/2006 Lanius ..... D23/277
- D532,495 S \* 11/2006 Kohler, Jr. .... D23/306
- D547,832 S \* 7/2007 Kohler, Jr. .... D23/277
- D549,807 S \* 8/2007 Kohler, Jr. .... D23/306
- D567,914 S 4/2008 Ishiyama et al.



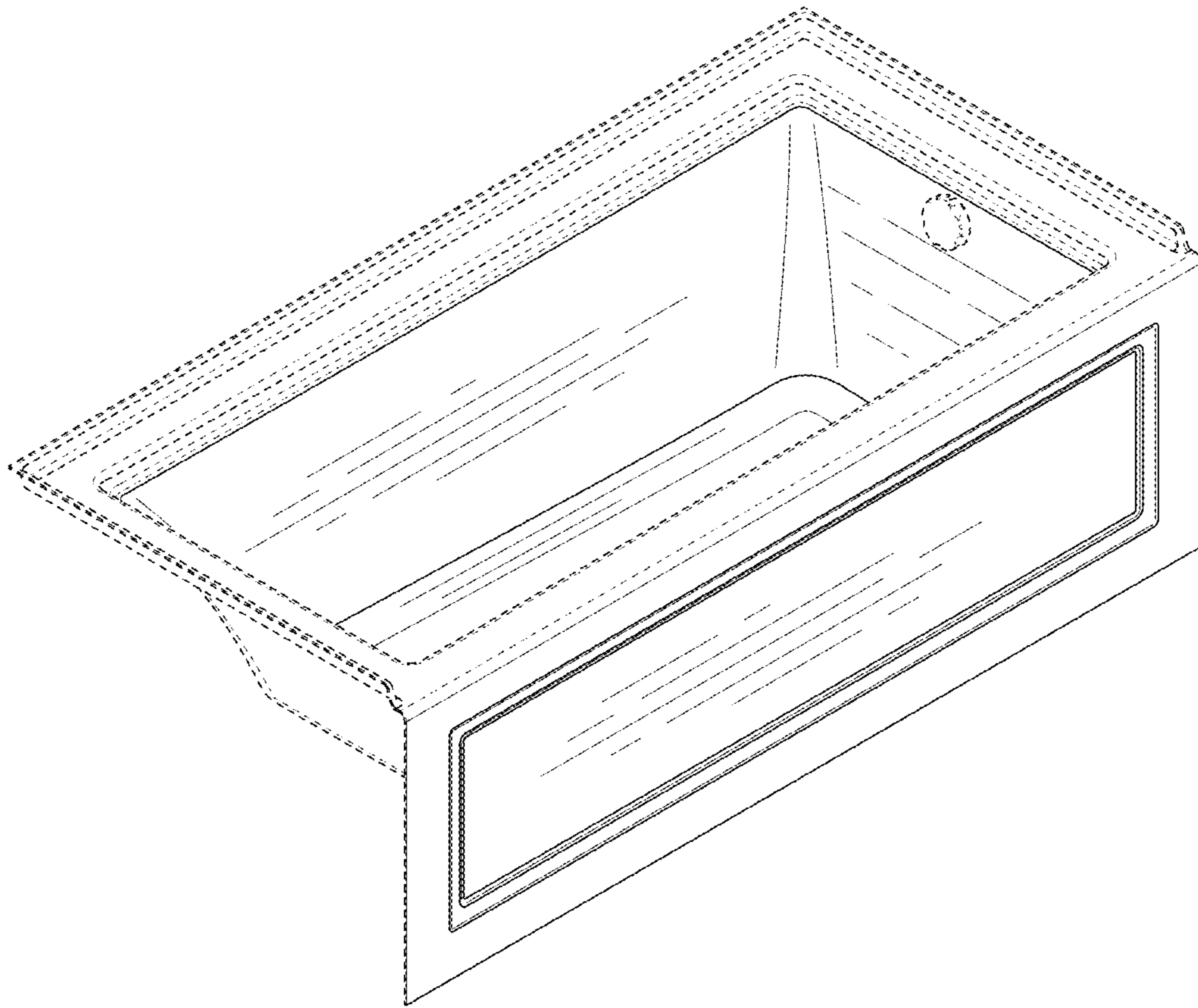


FIG. 1

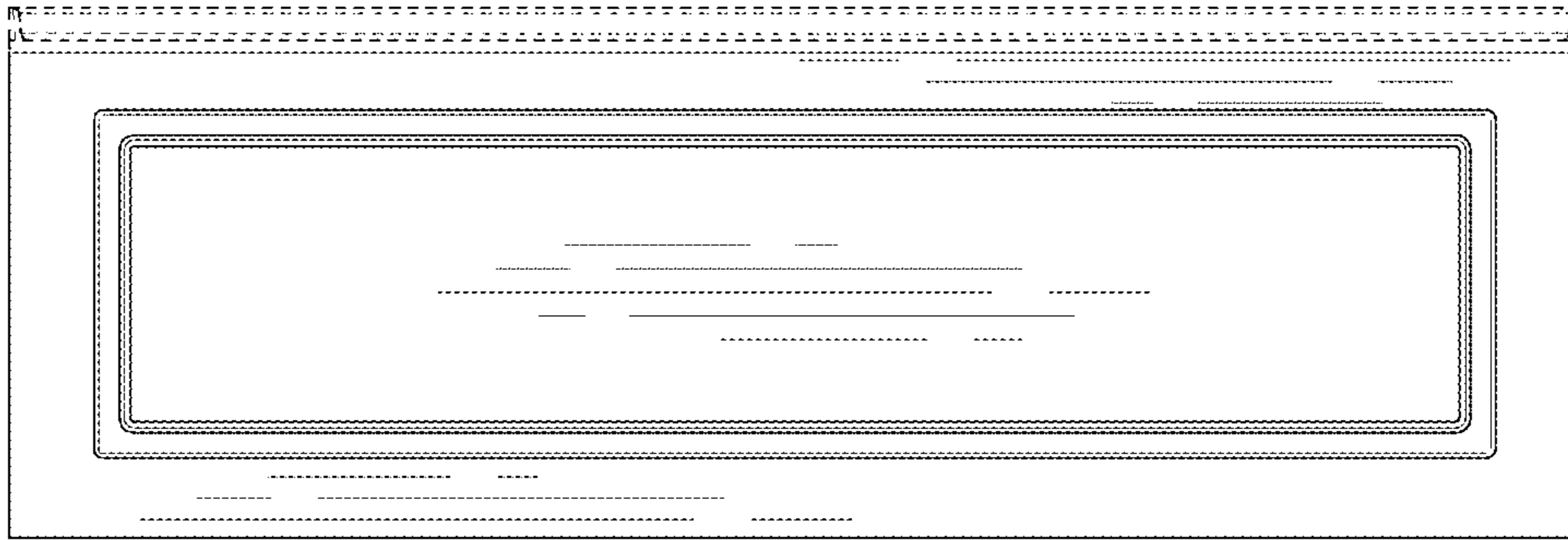


FIG. 2

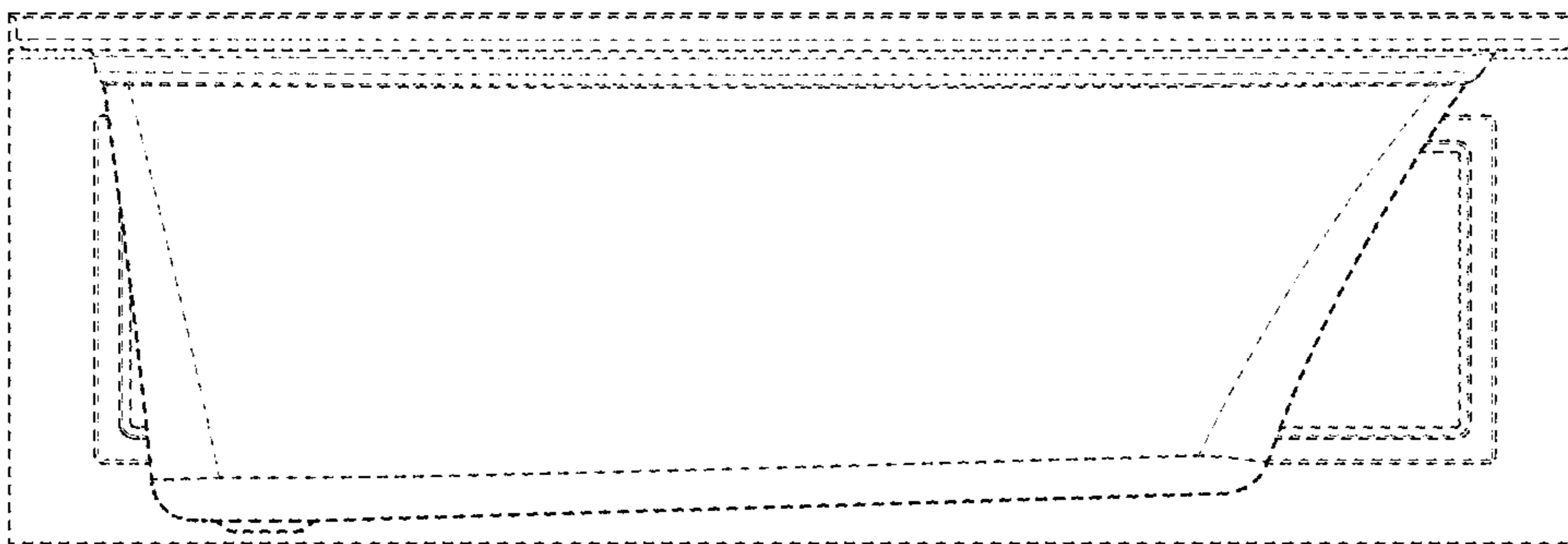


FIG. 3

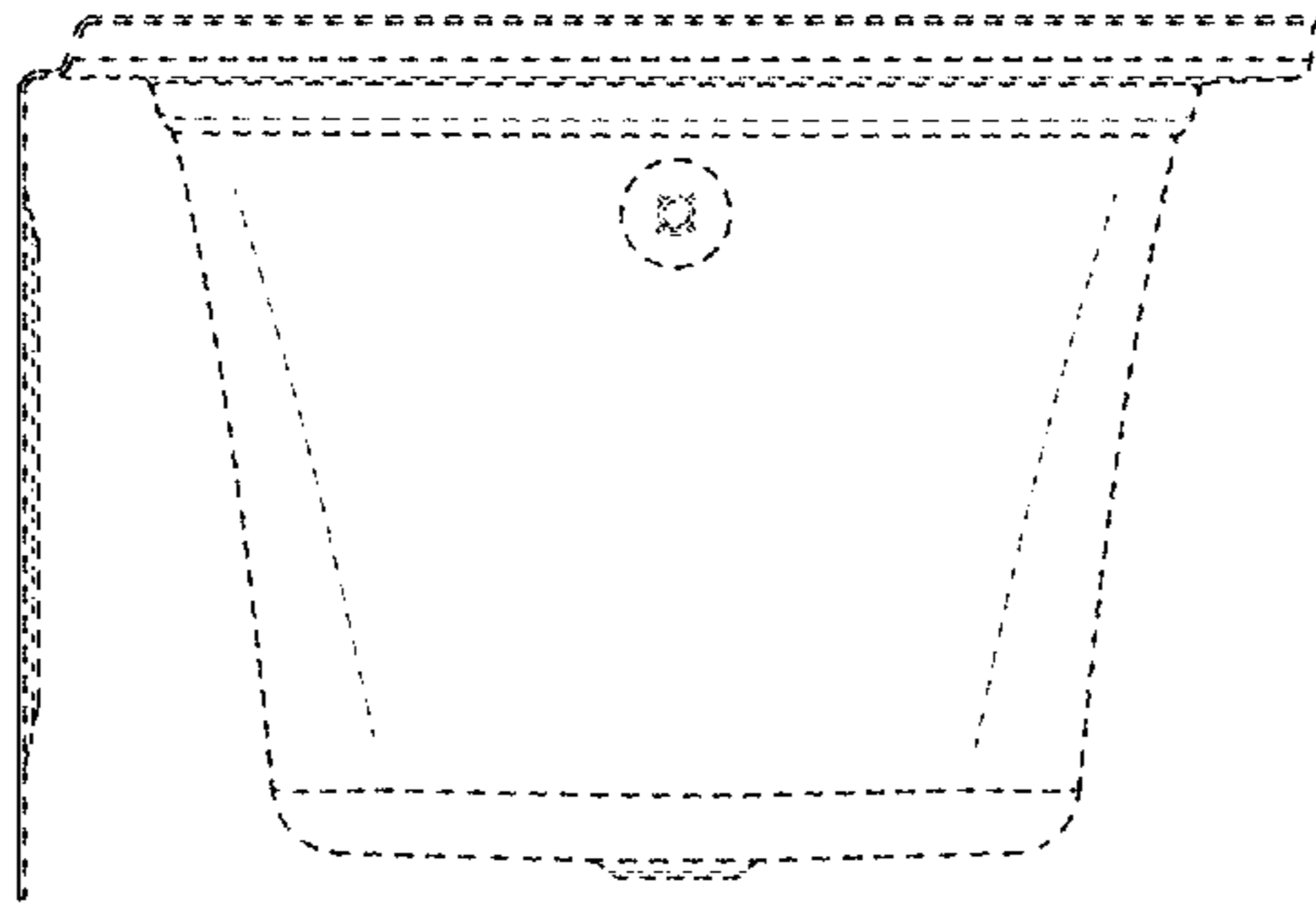


FIG. 4

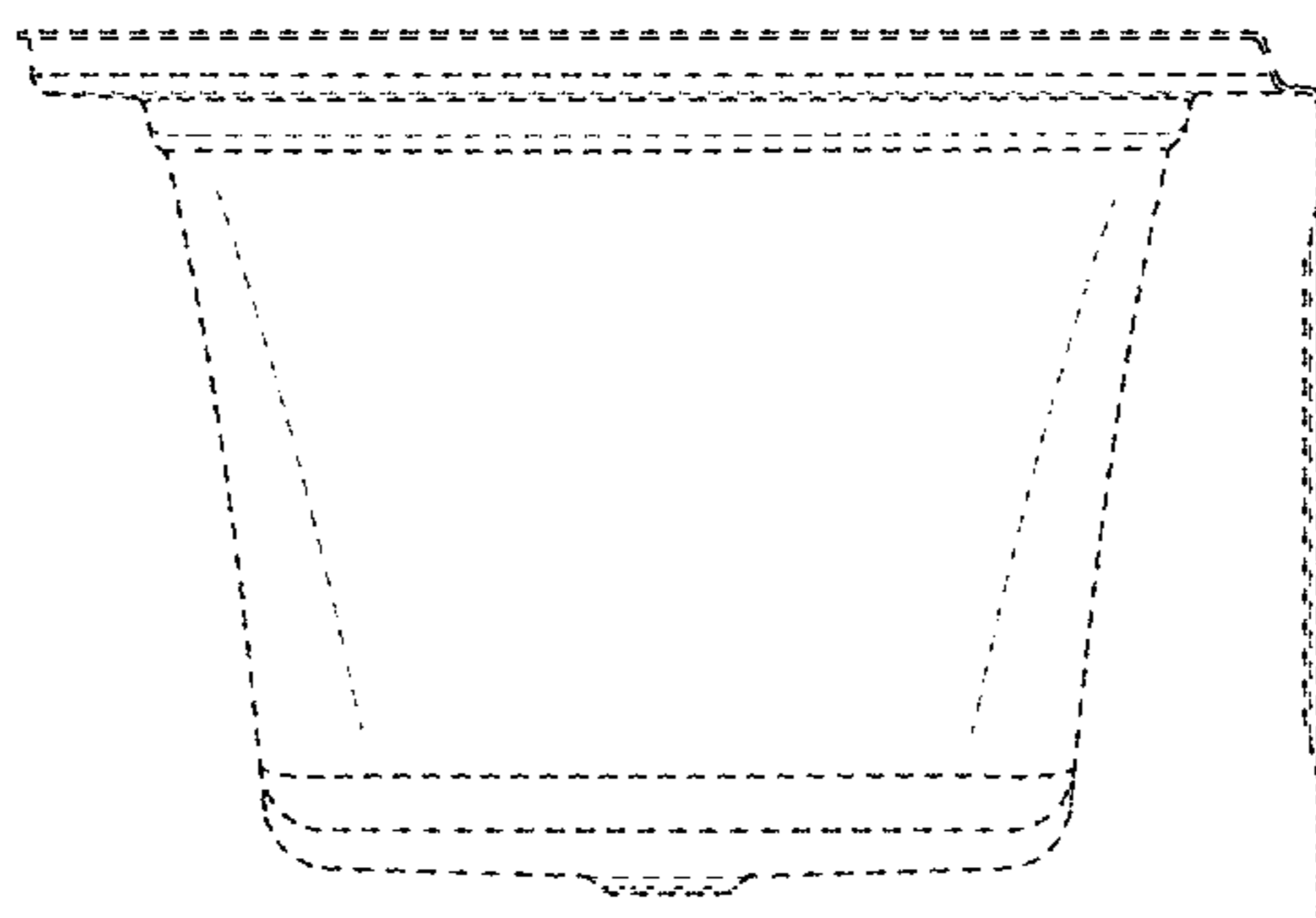


FIG. 5



FIG. 6



FIG. 7