



US00D857860S

(12) **United States Design Patent** (10) **Patent No.:** **US D857,860 S**
Coronado et al. (45) **Date of Patent:** **** Aug. 27, 2019**

- (54) **UNIVERSAL HEIGHT ABSORBING TOILET SEAL WITH TAPERED SLEEVE**
- (71) Applicant: **Coflex S.A. de C.V.**, Monterrey, Nuevo Leon (MX)
- (72) Inventors: **Eduardo Coronado**, Nuevo Leon (MX); **Pedro Gonzalez**, Nuevo Leon (MX); **Adam Robert Sampson**, Ramona, CA (US); **Tuan Van Le**, Fountain Valley, CA (US); **Krishnaditya Arkalgud**, Oceanside, CA (US)
- (73) Assignee: **Coflex S.A. de C.V.**, Monterrey (MX)
- (**) Term: **15 Years**
- (21) Appl. No.: **29/611,109**
- (22) Filed: **Jul. 18, 2017**

Related U.S. Application Data

- (63) Continuation of application No. 29/548,124, filed on Dec. 10, 2015, now Pat. No. Des. 792,563.
- (51) **LOC (12) Cl.** **23-01**
- (52) **U.S. Cl.**
USPC **D23/269**
- (58) **Field of Classification Search**
USPC D23/259, 262-266, 268, 226, 233, 303; 285/19, 51, 55, 21.1, 145.3, 146.1, 48, 285/45, 50, 52, 54, 95-96, 372, 504, 603, 285/606-609, 616, 626; 4/252.1, 252.4, 4/252.5, 252.6; 277/351-353, 372, 504, 277/603, 606-609, 616, 626
CPC F16L 27/04; F16L 27/023; F16L 27/103; F16L 57/00; F16L 43/00; F16L 5/02; F16L 5/08; F16L 5/10; E03C 1/26; E03C 1/28;

(Continued)

(56) **References Cited**

U.S. PATENT DOCUMENTS

- 682,046 A * 9/1901 Delehanty E03D 11/16 285/56
- 3,967,836 A * 7/1976 Izzi, Sr. E03D 11/16 285/12
- 4,052,759 A 10/1977 Hill
(Continued)

Primary Examiner — Eric L Goodman
Assistant Examiner — Amy C Wierenga
(74) *Attorney, Agent, or Firm* — Baker & McKenzie LLP

(57) **CLAIM**

The ornamental design for a universal height absorbing toilet seal with tapered sleeve, as shown and described.

DESCRIPTION

FIG. 1 is a top perspective view of a universal height absorbing toilet seal with tapered sleeve in accordance with my design;

FIG. 2 is a bottom perspective view of a universal height absorbing toilet seal with tapered sleeve thereof;

FIG. 3 is a front view of a universal height absorbing toilet seal with tapered sleeve thereof;

FIG. 4 is a back view of a universal height absorbing toilet seal with tapered sleeve thereof;

FIG. 5 is a side view of a universal height absorbing toilet seal with tapered sleeve thereof;

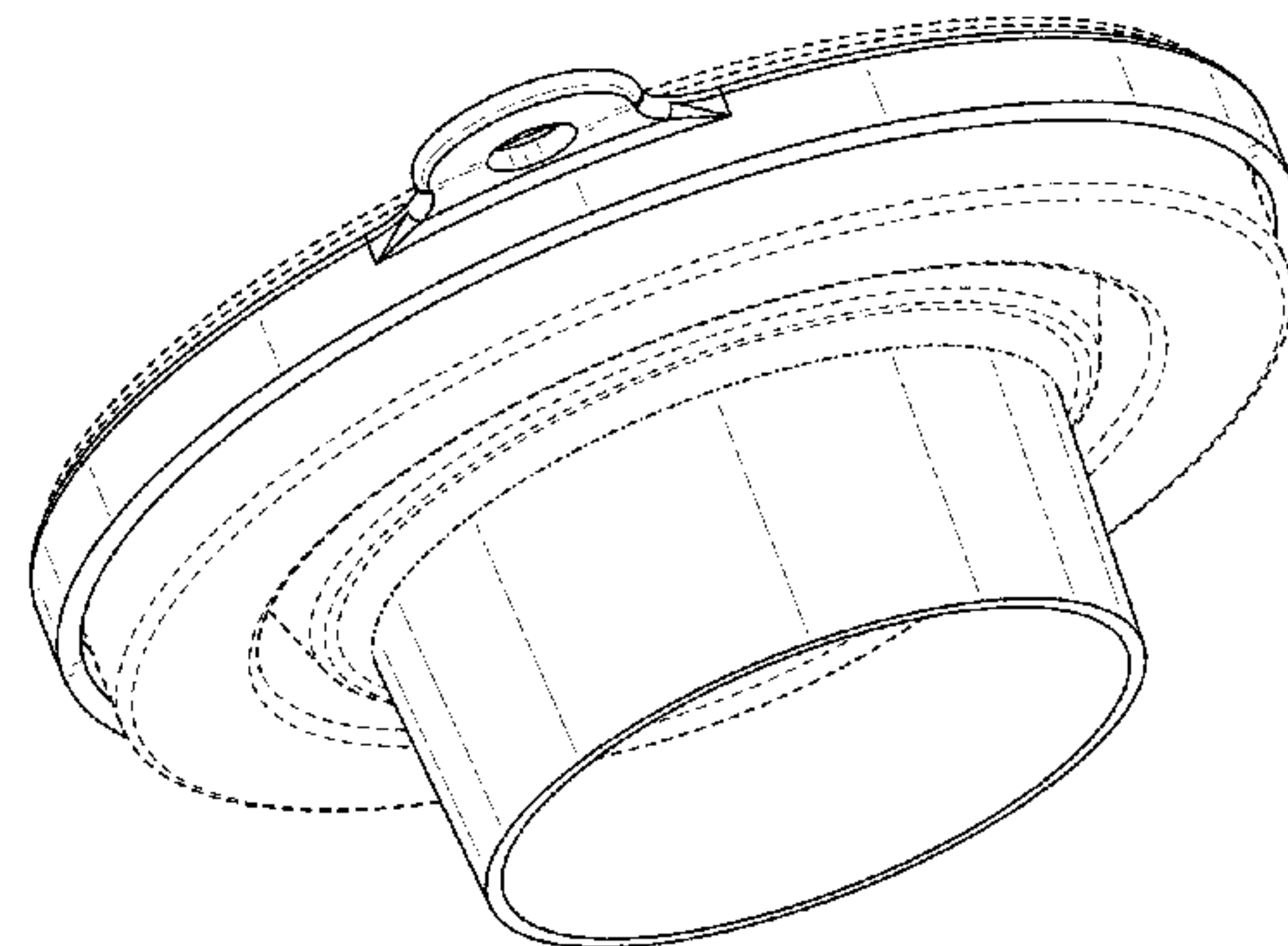
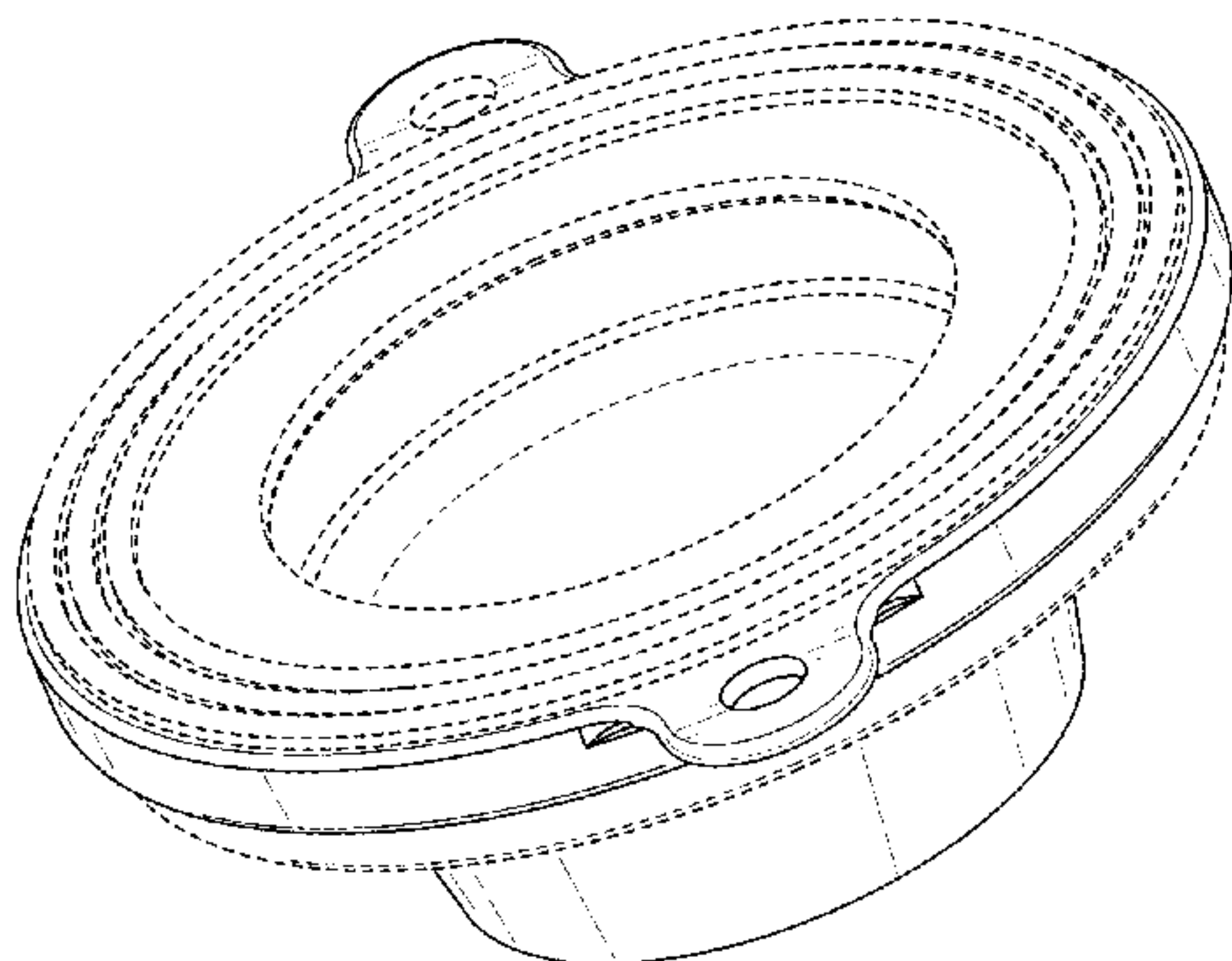
FIG. 6 is an opposite side view of a universal height absorbing toilet seal with tapered sleeve thereof;

FIG. 7 is a top view of a universal height absorbing toilet seal with tapered sleeve thereof; and,

FIG. 8 is a bottom view of a universal height absorbing toilet seal with tapered sleeve thereof.

The broken-line disclosure of elements is understood to represent portions of the article in which the design is embodied, but which form no part of the claimed design. The dot dash broken lines define the boundaries of the claim and form no part of the claim.

1 Claim, 8 Drawing Sheets



US D857,860 S

Page 2

(58) **Field of Classification Search**

CPC E03C 1/262; E04D 13/14; E03D 11/16;
E03D 11/00

See application file for complete search history.

(56) **References Cited**

U.S. PATENT DOCUMENTS

5,174,615 A * 12/1992 Foster F16L 23/16
285/334.2
5,377,361 A 1/1995 Piskula
6,065,160 A * 5/2000 Winn E03D 11/16
285/414
6,085,362 A 7/2000 Huber
6,155,606 A * 12/2000 Phillips E03D 11/16
285/56
D441,848 S * 5/2001 Huang D23/261
7,814,580 B2 * 10/2010 Coronado E03D 11/16
4/252.6
D631,066 S 1/2011 Itadani et al.
8,099,801 B2 1/2012 Hughes
D657,848 S * 4/2012 Howson D23/261
D717,405 S * 11/2014 Coronado D23/259
8,910,321 B2 * 12/2014 Coronado E03D 11/14
285/58
D728,758 S 5/2015 Coronado
D728,759 S 5/2015 Gonzalez
D730,498 S 5/2015 Gonzalez
D774,630 S * 12/2016 Mehari D23/269
9,534,367 B2 * 1/2017 Coronado E03D 11/17
9,556,603 B2 * 1/2017 Guthrie E03D 11/16

D792,563 S * 7/2017 Coronado D23/269
9,783,976 B2 * 10/2017 Coronado E03D 11/16
D811,558 S * 2/2018 Howson D23/261
2002/0023294 A1 * 2/2002 Spells, Sr. E03D 11/16
4/252.6
2002/0166161 A1 * 11/2002 Carwile E03D 11/16
4/252.6
2003/0033662 A1 * 2/2003 Spells, Sr. E03D 11/17
4/252.5
2003/0093855 A1 5/2003 Rendell
2004/0128752 A1 * 7/2004 Atkins E03D 11/17
4/252.6
2005/0138722 A1 6/2005 Humber
2010/0088811 A1 * 4/2010 Coronado E03D 11/14
4/252.4
2013/0067648 A1 * 3/2013 Whitehead E03D 11/16
4/252.4
2013/0152291 A1 * 6/2013 Stonecipher E03D 11/14
4/252.1
2014/0041108 A1 * 2/2014 Duncan E03D 11/16
4/252.6
2014/0366256 A1 * 12/2014 Coronado E03D 11/14
4/252.6
2015/0000019 A1 * 1/2015 Connell E03D 11/16
4/252.4
2015/0135421 A1 * 5/2015 Guthrie E03D 11/16
4/252.6
2015/0292190 A1 10/2015 Coronado et al.
2015/0376887 A1 12/2015 Coronado et al.
2016/0312458 A1 10/2016 Mehari

* cited by examiner

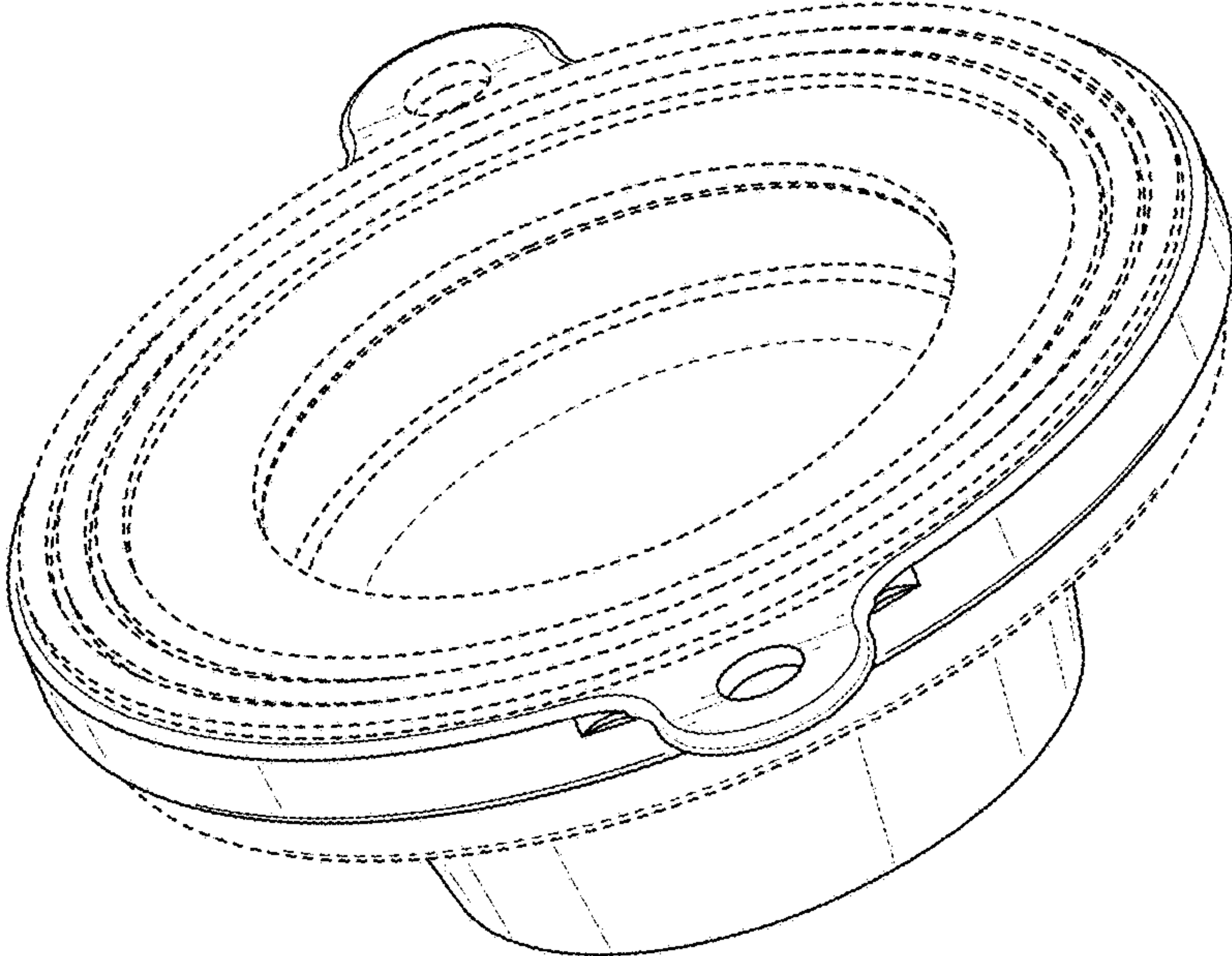


FIG. 1

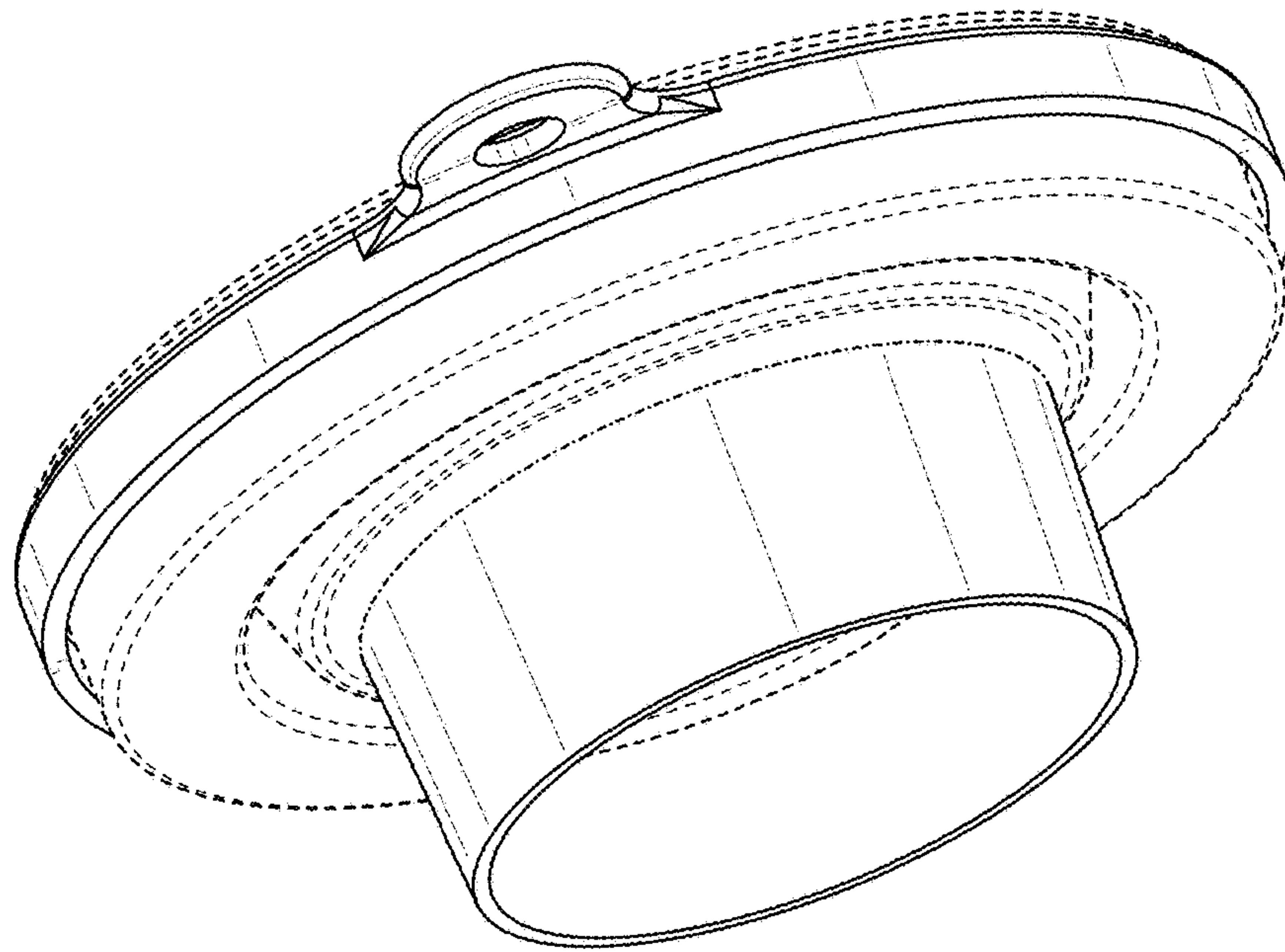


FIG. 2

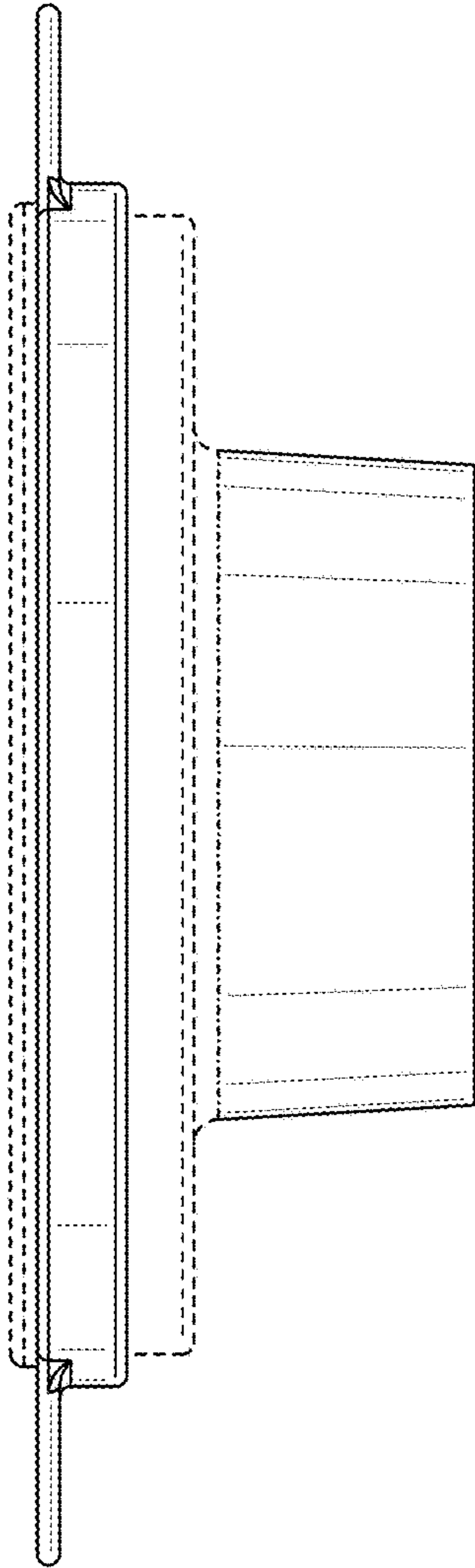


FIG. 3

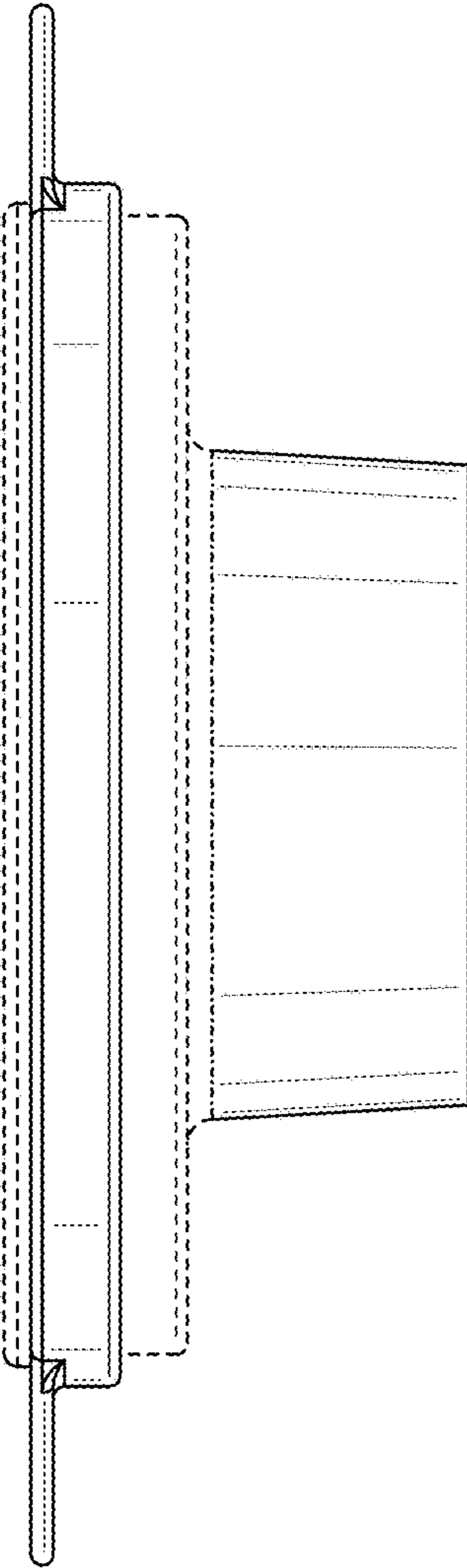


FIG. 4

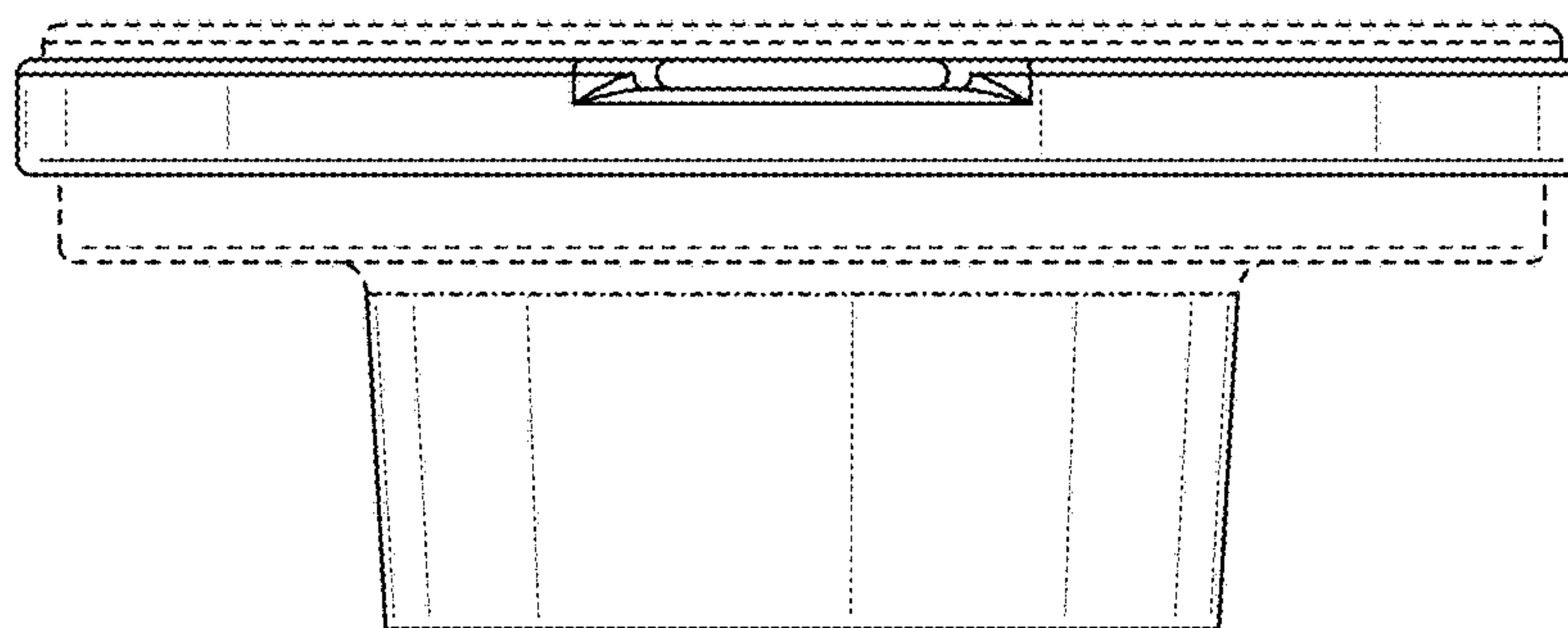


FIG. 5

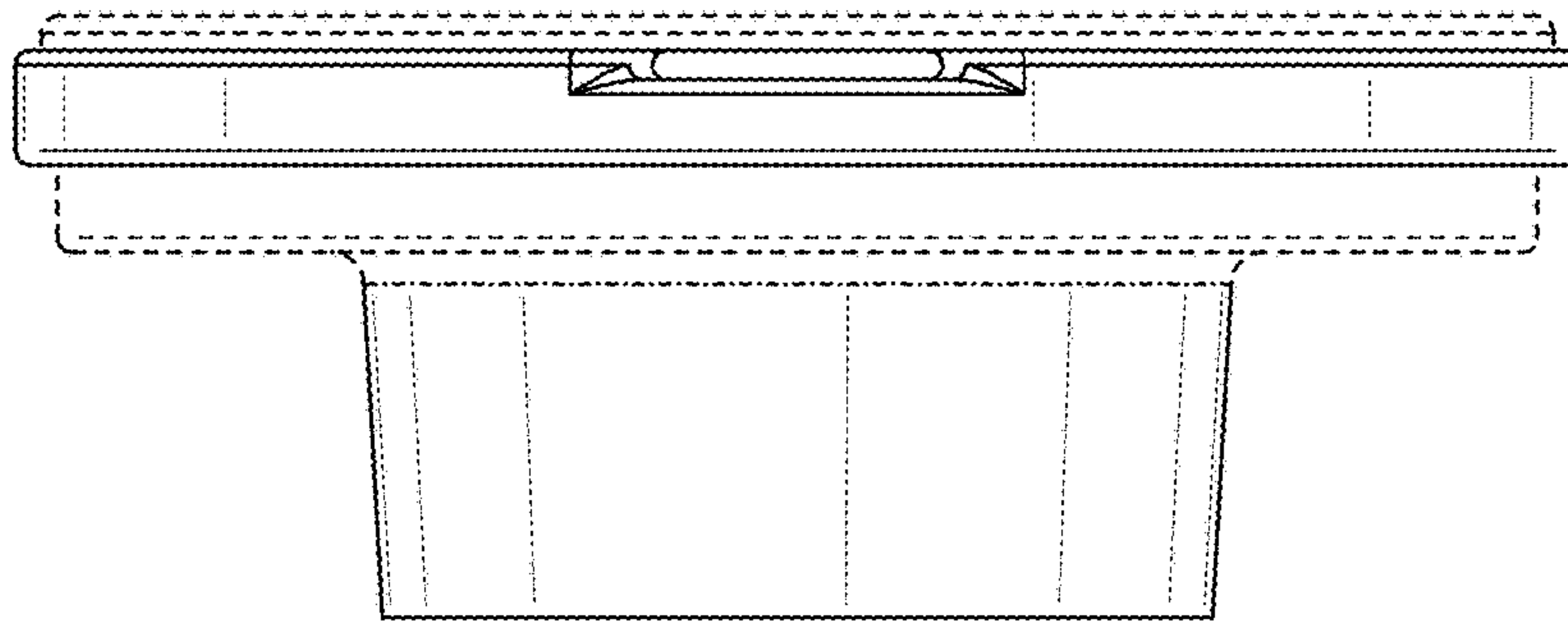


FIG. 6

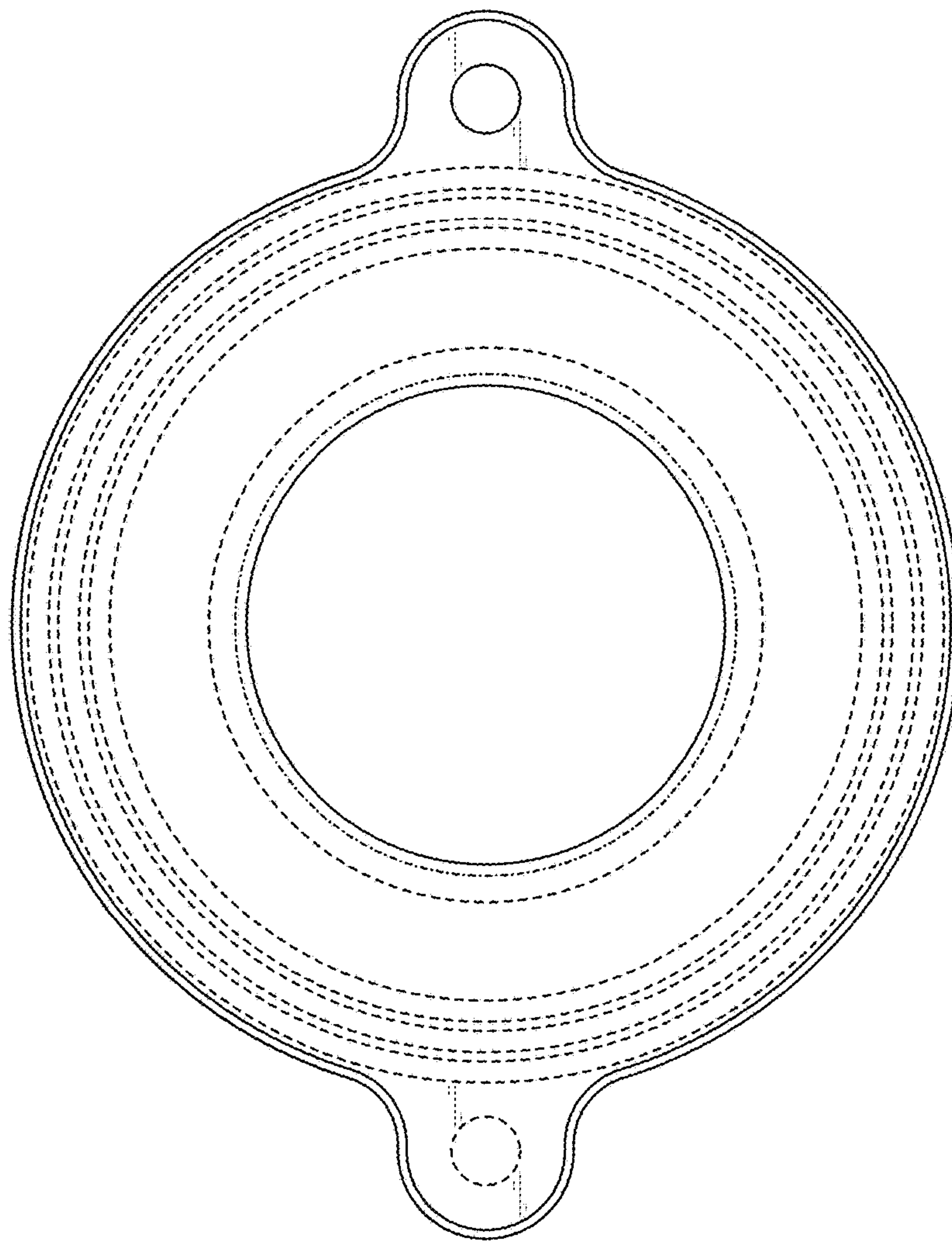


FIG. 7

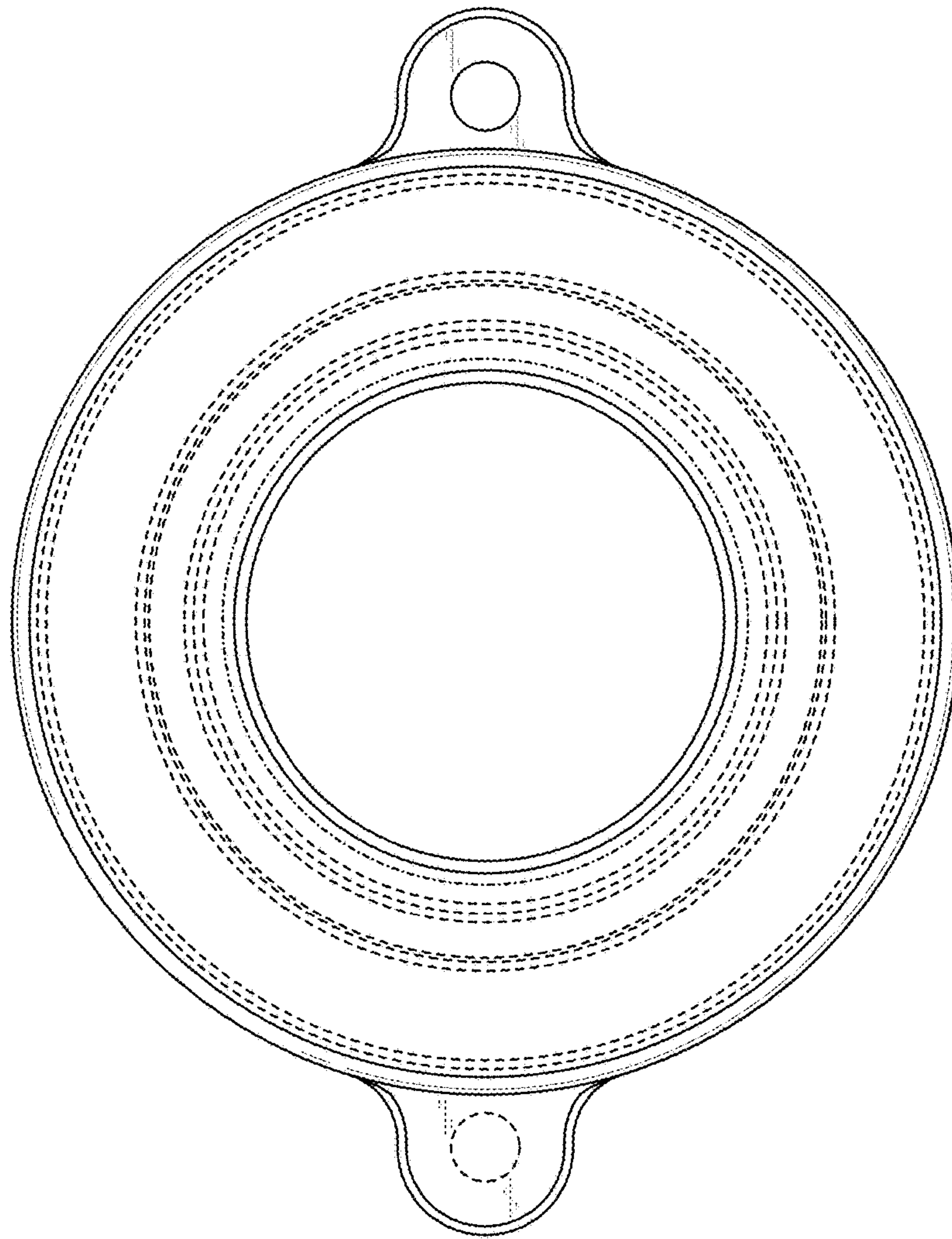


FIG. 8