



US00D857858S

(12) **United States Design Patent**  
**Leung et al.**

(10) **Patent No.:** **US D857,858 S**  
(45) **Date of Patent:** **\*\* Aug. 27, 2019**

- (54) **THERMAL EXPANSION DEVICE**
- (71) Applicant: **IPEX TECHNOLOGIES INC.,**  
Oakville (CA)
- (72) Inventors: **Martin Kwan Yu Leung,** Oakville  
(CA); **Ivan Lee Stiehl,** Burlington (CA)
- (73) Assignee: **IPEX TECHNOLOGIES INC.,**  
Oakville (CA)
- (\*\*) Term: **15 Years**
- (21) Appl. No.: **29/623,279**
- (22) Filed: **Oct. 24, 2017**
- (30) **Foreign Application Priority Data**

- Sep. 12, 2017 (CA) ..... 176950
- (51) **LOC (12) Cl.** ..... **23-01**
- (52) **U.S. Cl.**  
USPC ..... **D23/266**
- (58) **Field of Classification Search**  
USPC ..... D23/259, 266, 268, 308, 322-323, 328,  
D23/330, 341, 386, 393, 262-263;  
138/118, 120, 155, 172, 177; 285/48,  
285/148.12, 179, 181, 187, 416, 125.1,  
285/128.1-129.1, 133.5  
CPC ..... F16L 3/16; F16L 41/03  
See application file for complete search history.

(56) **References Cited**  
U.S. PATENT DOCUMENTS

- D44,422 S \* 7/1913 Smith ..... 137/247.27
- 3,077,958 A \* 2/1963 Grimsey, Jr. .... G05D 23/024  
33/702
- 4,037,861 A \* 7/1977 Medney ..... F16L 27/0816  
285/147.1

- 4,239,264 A \* 12/1980 Evans ..... F16L 51/00  
138/120
- 4,998,754 A \* 3/1991 Matsumoto ..... E03C 1/122  
138/177
- 5,129,685 A \* 7/1992 Engel ..... F02M 35/10144  
285/181

(Continued)

**FOREIGN PATENT DOCUMENTS**

- EP 0601262 B1 12/1992
- FR 330221 A 8/1903

(Continued)

*Primary Examiner* — Eric L Goodman  
*Assistant Examiner* — Amy C Wierenga

(57) **CLAIM**

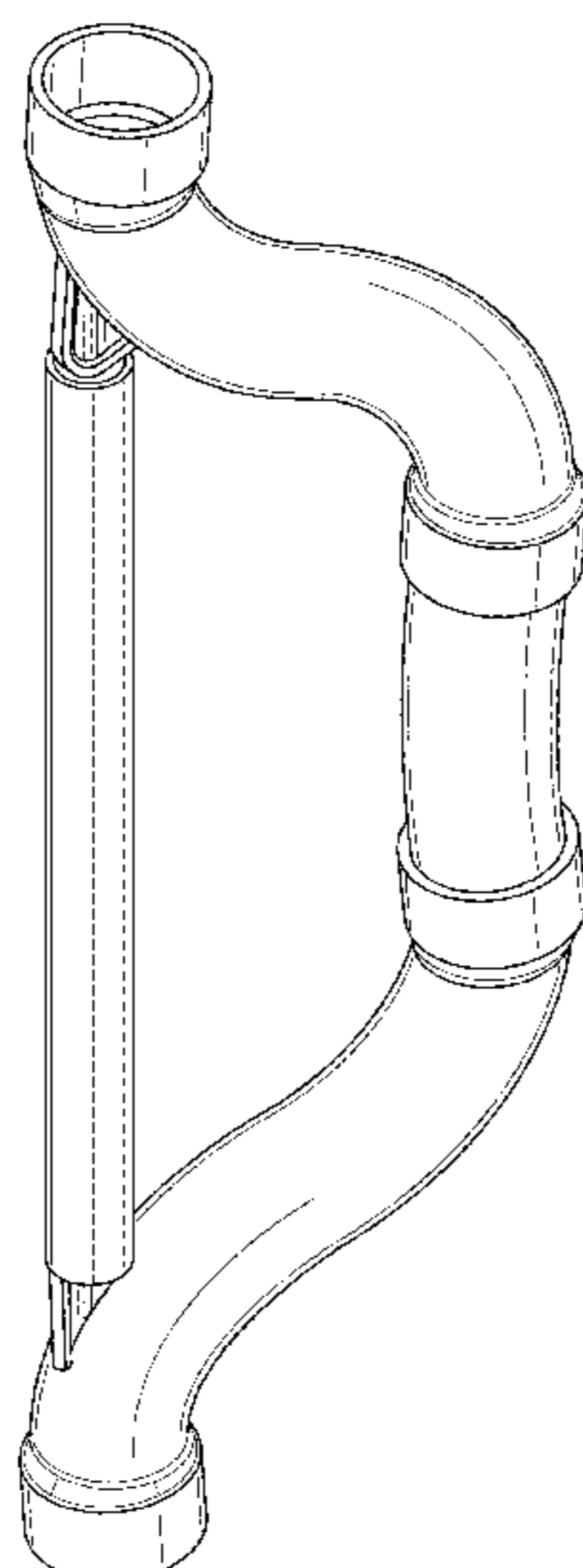
We claim the ornamental design for a thermal expansion device, as shown and described.

**DESCRIPTION**

FIG. 1 is a perspective view taken from the top and one side of the design;  
 FIG. 2 is a first side elevational view of the design shown in FIG. 1;  
 FIG. 3 is a second side elevational view of the design shown in FIG. 1;  
 FIG. 4 is a front elevational view of the design shown in FIG. 1;  
 FIG. 5 is a rear elevational view of the design shown in FIG. 1;  
 FIG. 6 is a top elevational view of the design shown in FIG. 1;  
 FIG. 7 is a bottom elevational view of the design shown in FIG. 1; and,  
 FIG. 8 is a first side elevational view of the thermal expansion device in an installed position with the environment shown in stippled lines and the tensioning bar removed.

The broken lines shown in the drawings are for the purpose of illustrating environment and form no part of the claim.

**1 Claim, 5 Drawing Sheets**



(56)

**References Cited**

U.S. PATENT DOCUMENTS

D351,899 S \* 10/1994 Isber ..... D23/268  
7,143,788 B2 \* 12/2006 Keyes ..... F16L 51/025  
138/120  
D601,230 S \* 9/2009 Misir ..... D23/266  
D675,298 S \* 1/2013 Gridley ..... G09B 25/02  
D23/266  
D727,470 S \* 4/2015 Agar ..... D23/262  
D760,877 S \* 7/2016 Drake ..... D15/5  
2013/0327437 A1 \* 12/2013 Feng ..... B29C 49/0005  
138/177

FOREIGN PATENT DOCUMENTS

FR 2218528 2/1973  
WO WO 2002057674 A1 7/2002

\* cited by examiner

Fig. 1

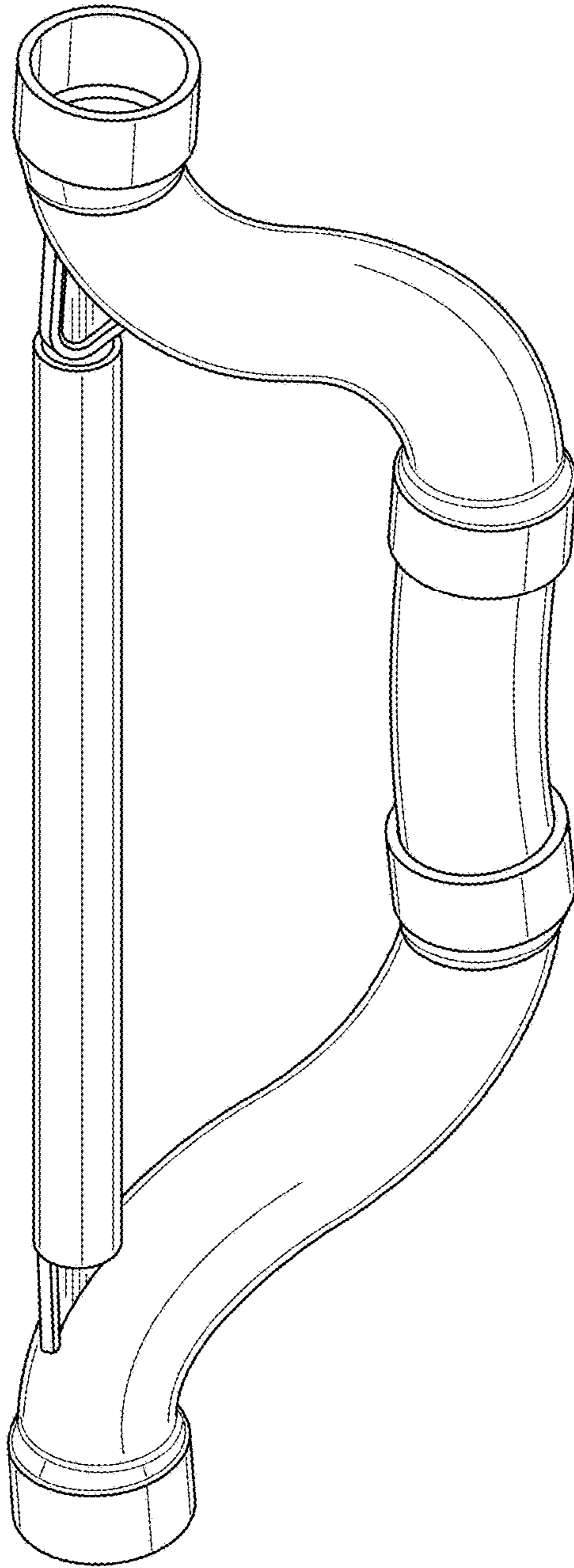


Fig. 2

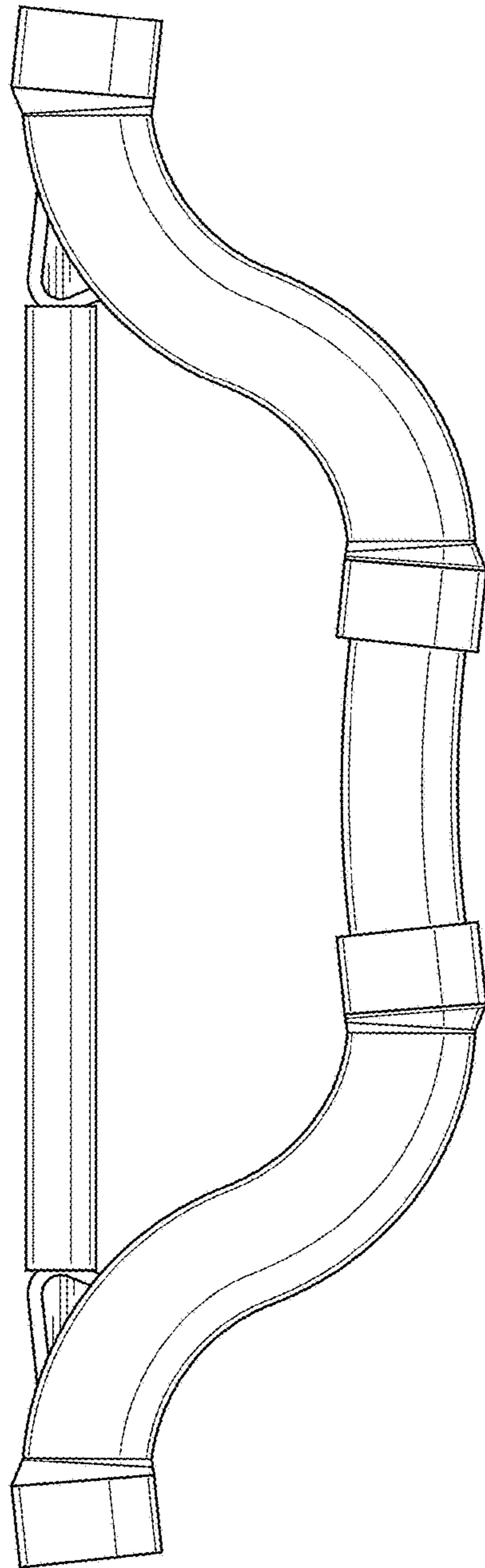


Fig. 3

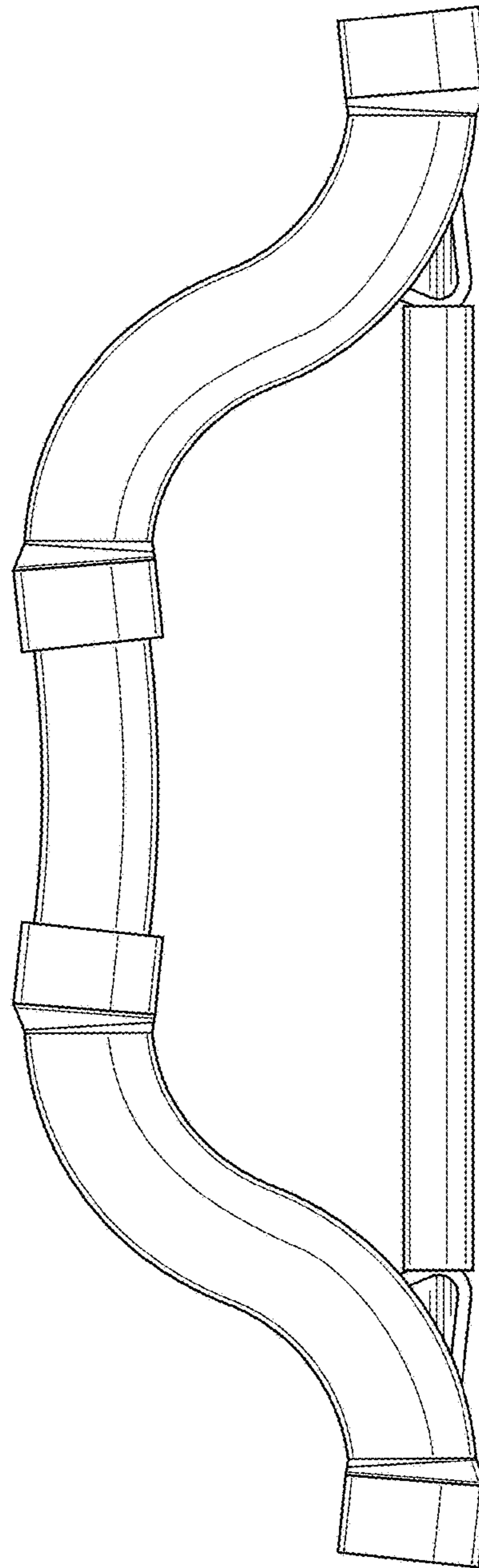


Fig. 4

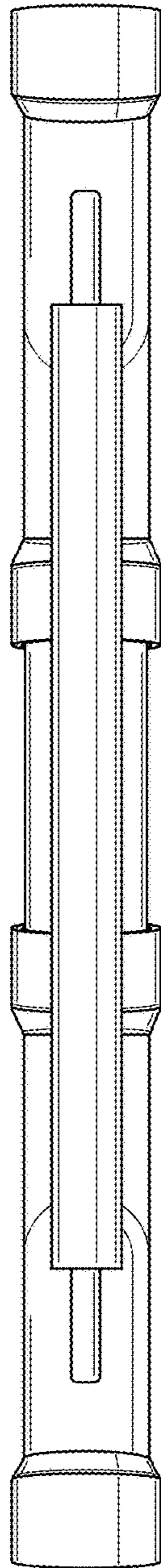


Fig. 5

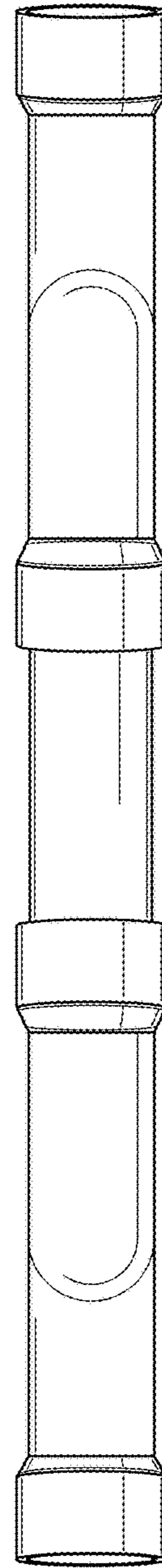


Fig. 6

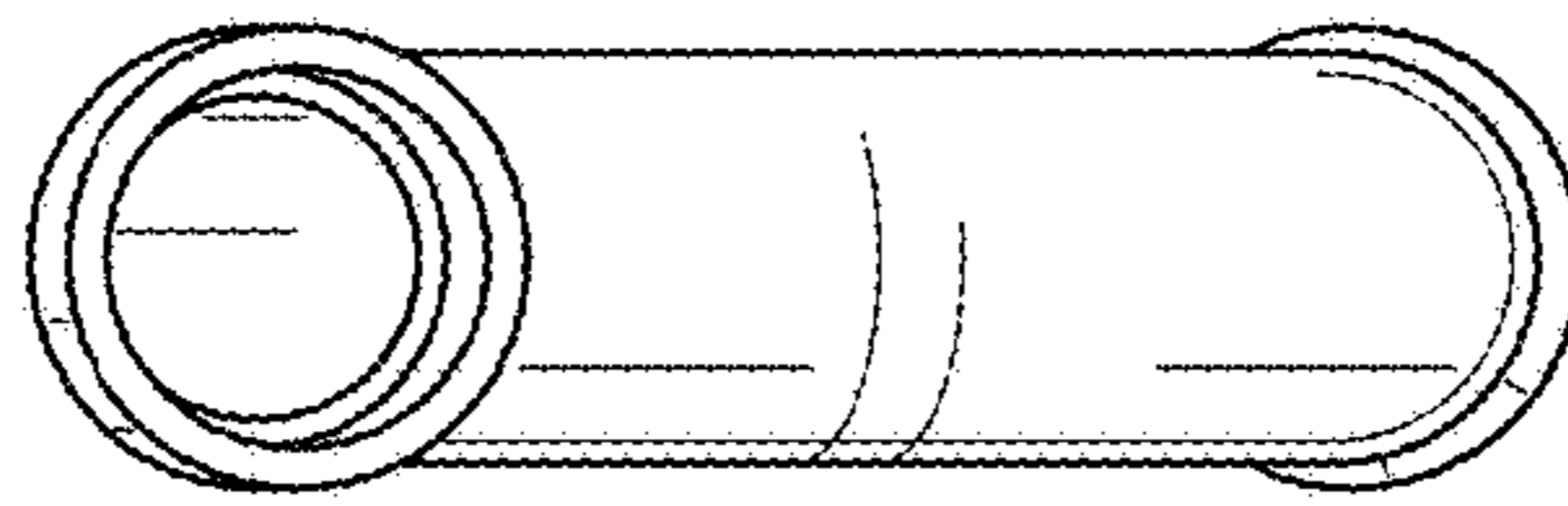


Fig. 7

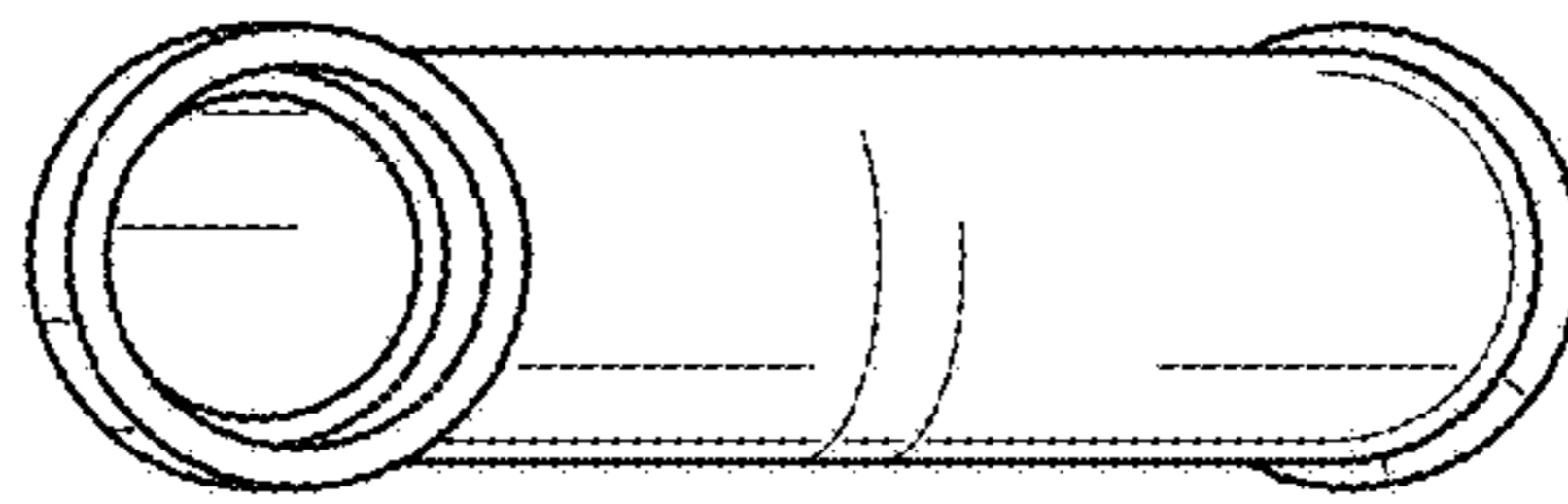




Fig. 8

